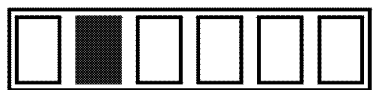
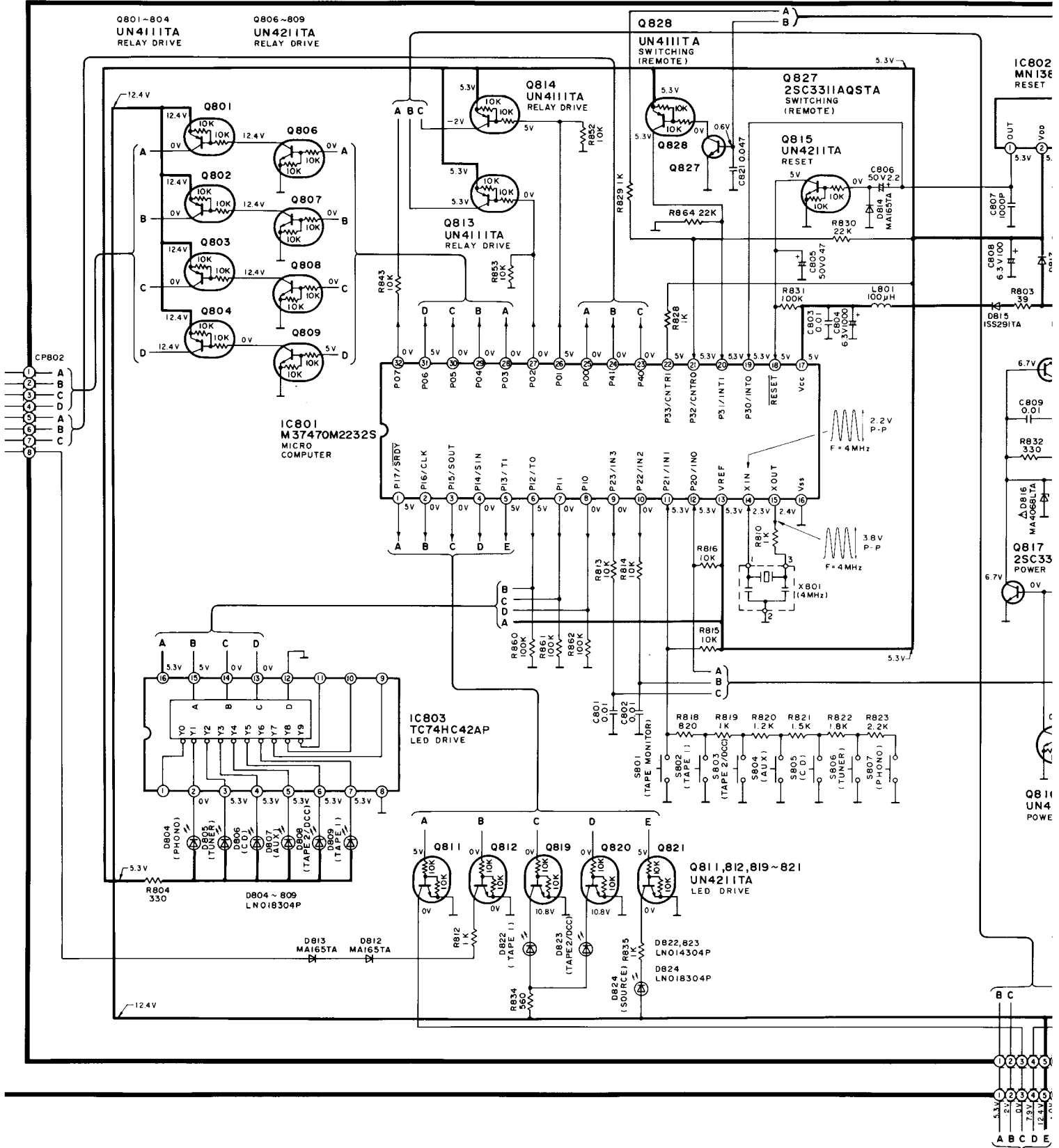
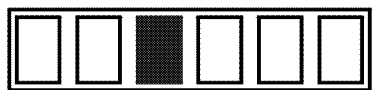
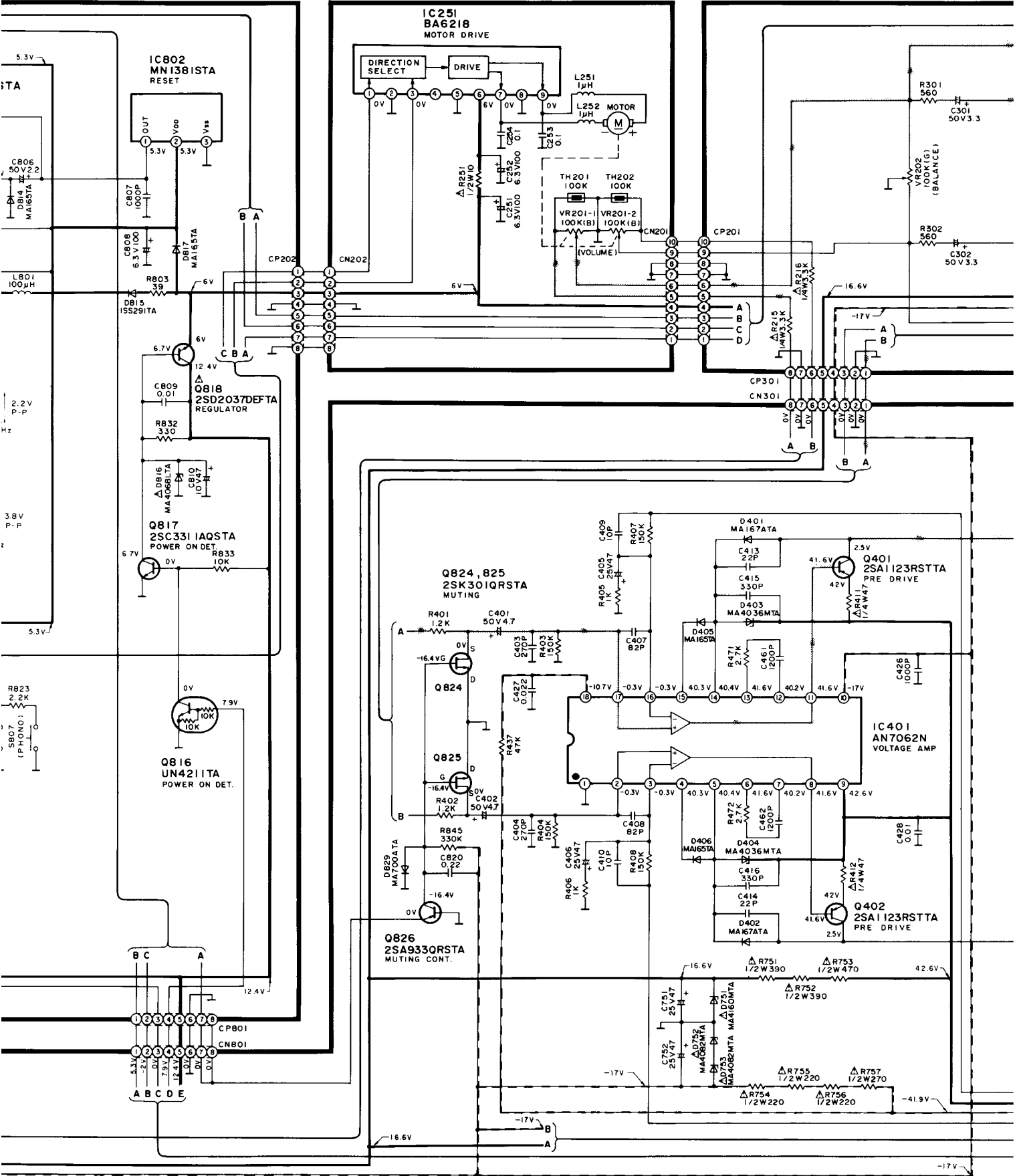


B OPERATION CIRCUIT



C VOLUME CIRCUIT

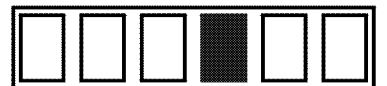
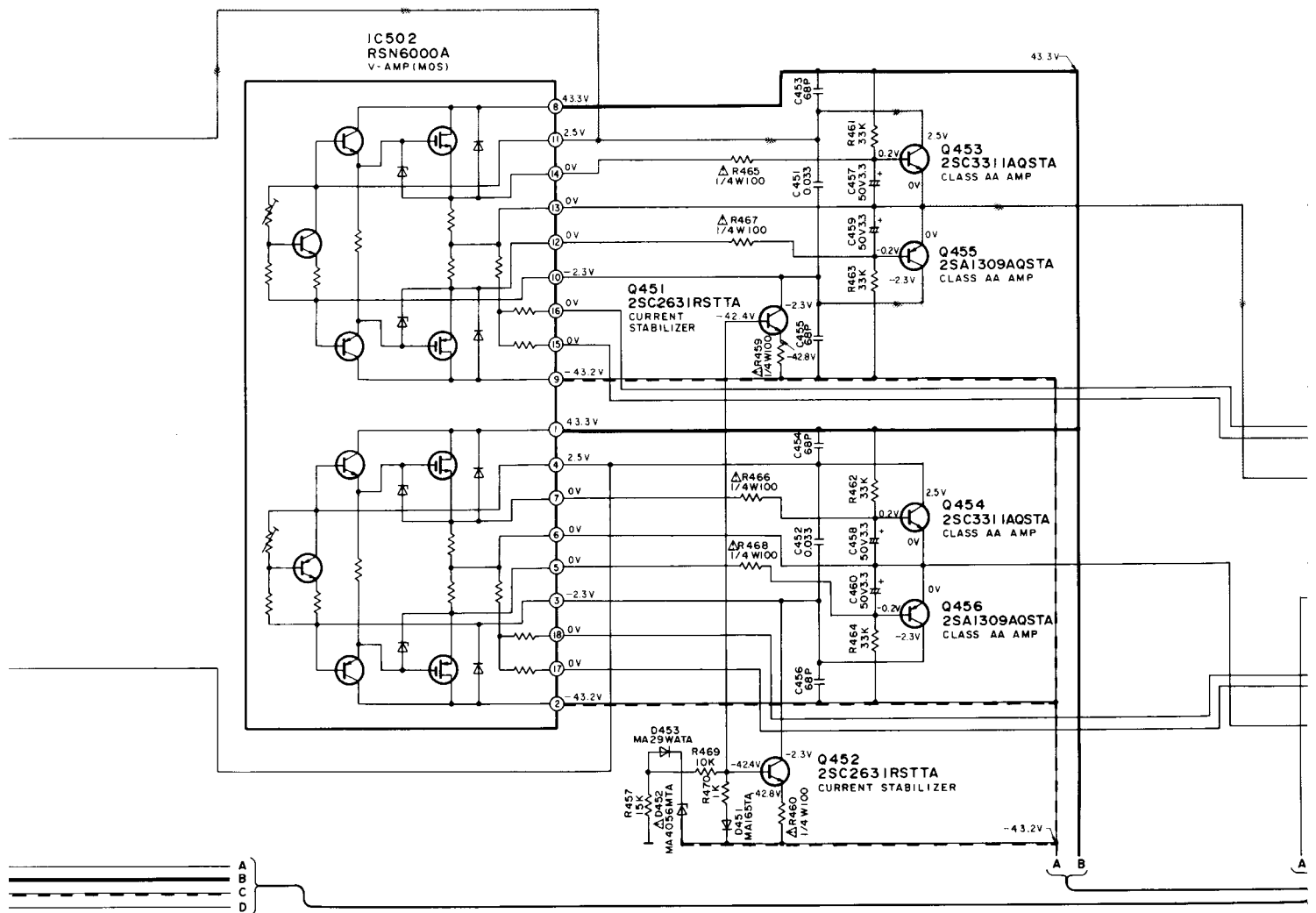
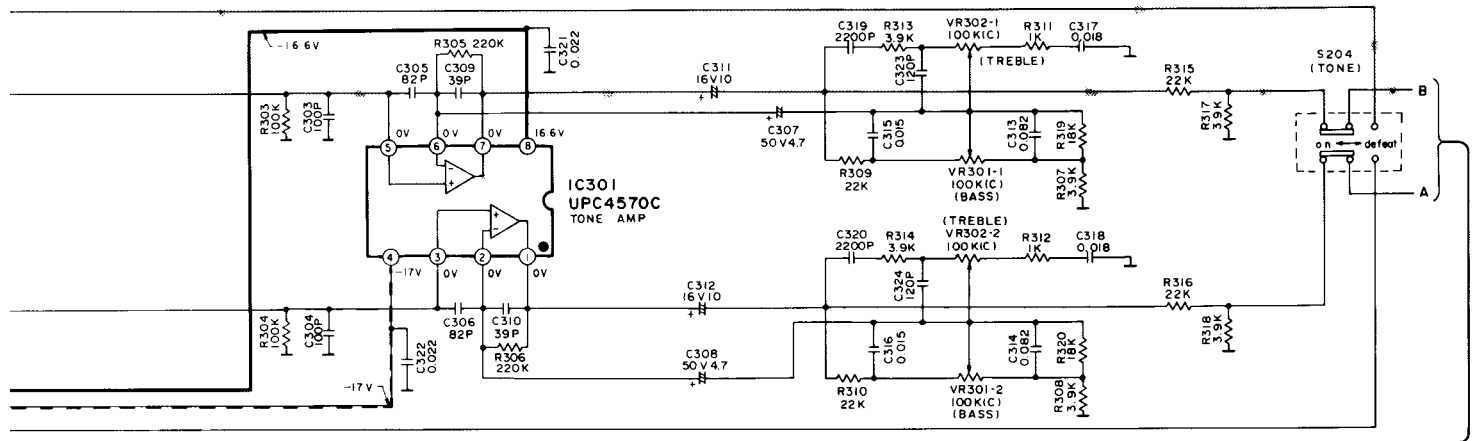
D TONE AMP CIRCUIT

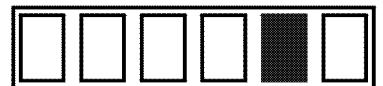
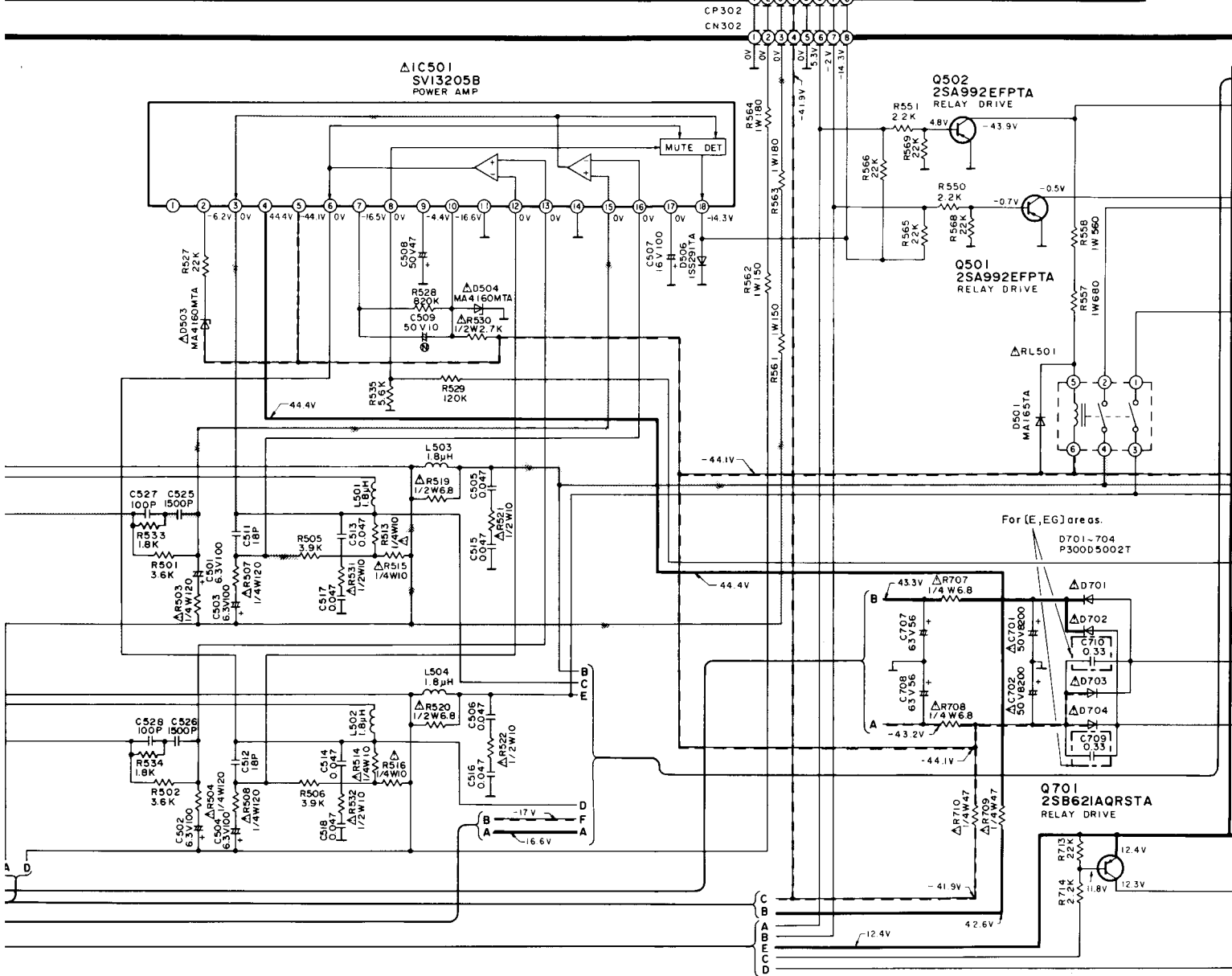
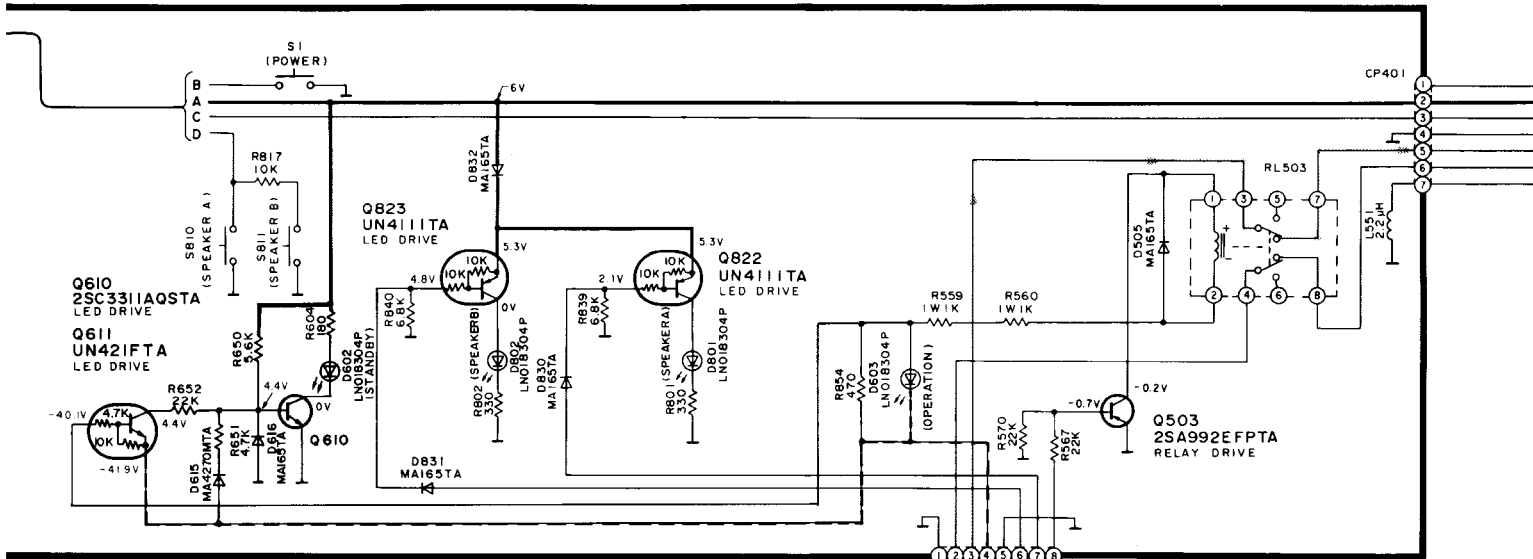


● Power Switch/Headphones Jack/Power Supply/Power Transformer Circuit

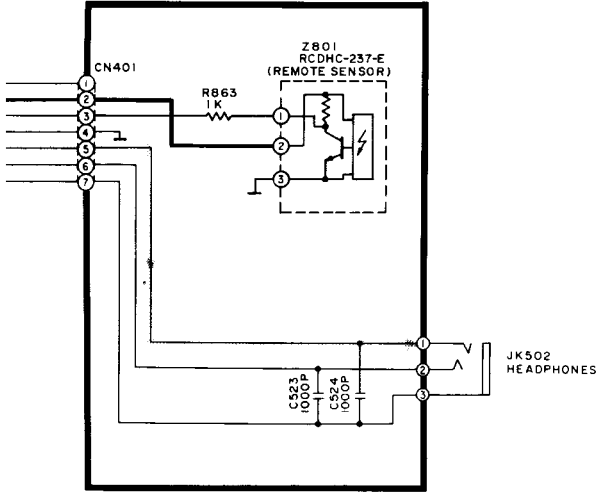
(Parts list on page 28~34.)

16 | 17 | 18 | 19 | 20

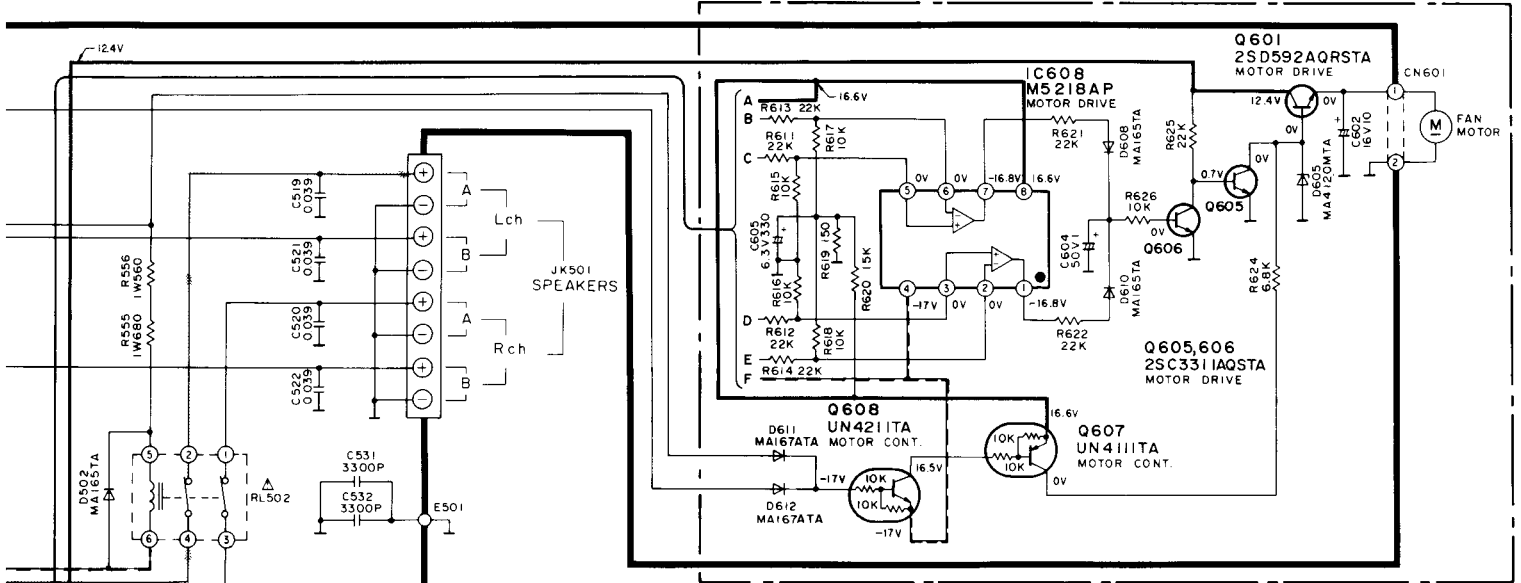




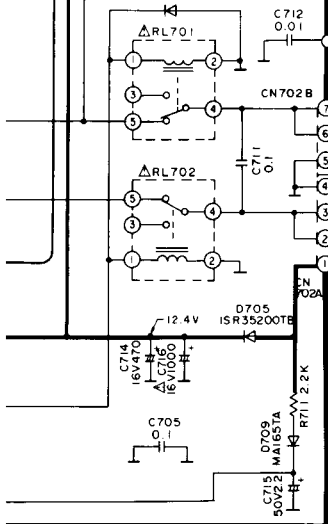
E HEADPHONES JACK CIRCUIT



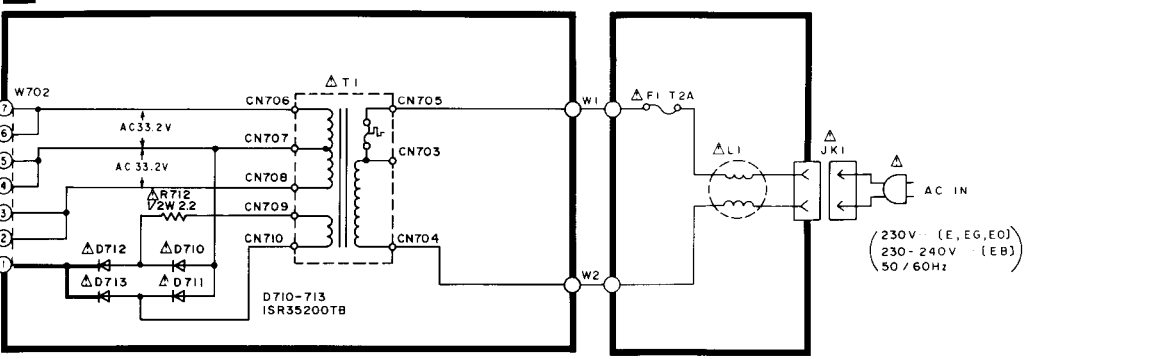
For [E,B,E0] areas.



F POWER TRANSFORMER CIRCUIT



G POWER SUPPLY CIRCUIT



(230V - [E, EG, E0])
(230 - 240V - [EB])
50 / 60Hz

