

# Service Manual

## Amplifier



Supplement

**SU-A707**  
**SU-A808**  
**SE-A909S**  
**SE-A1010**

Colour

(K).....Black Type

(N).....Gold Type (Only SE-A1010)

Areas

(E).....Europe and Russia.

(EB).....Great Britain.

(EG).....Germany, France and Italy.

**Subject :** Addition and change of the parts for improvement in safety

Please use this supplement manual together with the service manuals for Model No.SU-A707, Order No.AD9908184C2, Model No.SU-A808, Order No.AD9907181C2, Model No.SE-A909S, Order No.AD9907177C2, Model No.SE-A1010, Order No.AD9907168C2.

### WARNING

This service information is designed for experienced repair technicians only and is not designed for use by the general public. It does not contain warnings or cautions to advise non-technical individuals of potential dangers in attempting to service a product. Products powered by electricity should be serviced or repaired only by experienced professional technicians. Any attempt to service or repair the product or products dealt with in this service information by anyone else could result in serious injury or death.

## CONTENTS

|  | Page |  | Page |
|--|------|--|------|
| 1 Purpose .....                          | 2    | 4 Change of Cabinet Parts Location (Only the part to which Fan cover and Fan unit were added.) ..... | 5    |
| 2 About the applicable model .....       | 2    | 5 Change of Packaging .....  | 6    |
| 3 Change of Replacement Parts List ..... | 2    |  |      |

# Technics

© 2002 Matsushita Electric Industrial Co., Ltd. All rights reserved. Unauthorized copying and distribution is a violation of law.

# 1 Purpose

- Fan cover and Screw are added for improvement in safety.

# 2 About the applicable model

- The object is only the model fan cover equipped from the first. The model fan cover isn't equipped from the first is the outside of the object, because fan cover can't be equipped for the different form of <sup>1</sup> rearpanel.

<sup>1</sup> Rear panel: The parts of rear panel aren't supplied.

# 3 Change of Replacement Parts List

## Notes:

- The <IA>, <IB>, <IC>, <ID> marks in Remarks indicate language of instruction manual.

<IA>: English, Spanish, Swedish, Russian, Polish, Czech

<IB>: English

<IC>: German, Italian, French

<ID>: Netherlandish, Danish

- The parenthesized indications in the Remarks columns specify the areas. (Refer to the cover page for area.)

## 3.1. SU-A707

### ■Original

| Ref. No. | Part No.    | Part Name & Description | Pcs | Remarks   |
|----------|-------------|-------------------------|-----|-----------|
| 42       | XTBS3+8JFZ1 | SCREW                   | 22  |           |
| A5       | RQT5113-E   | OPERATING INSTRUCTIONS  | 1   | (E) <IA>  |
| A6       | RQT5116-B   | OPERATING INSTRUCTIONS  | 1   | (EB) <IB> |
| A7       | RQT5114-D   | OPERATING INSTRUCTIONS  | 1   | (EG) <IC> |
| A8       | RQT5115-H   | OPERATING INSTRUCTIONS  | 1   | (EG) <ID> |
| P3       | RPG4559     | PACKING CASE            | 1   | (E)       |
| P3       | RPG4560     | PACKING CASE            | 1   | (EB, EG)  |



### ■Supplement

| Ref. No. | Part No.    | Part Name & Description | Pcs | Remarks          |
|----------|-------------|-------------------------|-----|------------------|
| 42       | XTBS3+8JFZ1 | SCREW                   | 20  | Reduce           |
| 45       | RGQ0339-K   | FAN COVER               | 1   | Addition         |
| 46       | XTB3+10JFZ  | SCREW                   | 2   | Addition         |
| A5       | RQT5113-2E  | OPERATING INSTRUCTIONS  | 1   | (E) <IA> Change  |
| A6       | RQT5116-2B  | OPERATING INSTRUCTIONS  | 1   | (EB) <IB> Change |
| A7       | RQT5114-2D  | OPERATING INSTRUCTIONS  | 1   | (EG) <IC> Change |
| A8       | RQT5115-1H  | OPERATING INSTRUCTIONS  | 1   | (EG) <ID> Change |
| P3       | RPG4559-1   | PACKING CASE            | 1   | (E) Change       |
| P3       | RPG4560-1   | PACKING CASE            | 1   | (EB, EG) Change  |
| P7       | RPQ1412     | PAD                     | 1   | Addition         |

### 3.2. SU-A808

#### ■Original

| Ref. No. | Part No.    | Part Name & Description | Pcs | Remarks   |
|----------|-------------|-------------------------|-----|-----------|
| 42       | XTB83+8JFZ1 | SCREW                   | 26  |           |
| A5       | RQT5113-E   | OPERATING INSTRUCTIONS  | 1   | (E) <IA>  |
| A6       | RQT5116-B   | OPERATING INSTRUCTIONS  | 1   | (EB) <IB> |
| A7       | RQT5114-D   | OPERATING INSTRUCTIONS  | 1   | (EG) <IC> |
| A8       | RQT5115-H   | OPERATING INSTRUCTIONS  | 1   | (EG) <ID> |
| P3       | RPG4556     | PACKING CASE            | 1   | (E)       |
| P3       | RPG4557     | PACKING CASE            | 1   | (EB, EG)  |



#### ■Supplement

| Ref. No. | Part No.    | Part Name & Description | Pcs | Remarks          |
|----------|-------------|-------------------------|-----|------------------|
| 42       | XTB83+8JFZ1 | SCREW                   | 20  | Reduce           |
| 50       | RGQ0339-K   | FAN COVER               | 1   | Addition         |
| 51       | XTB3+10JFZ  | SCREW                   | 2   | Addition         |
| A5       | RQT5113-2E  | OPERATING INSTRUCTIONS  | 1   | (E) <IA> Change  |
| A6       | RQT5116-2B  | OPERATING INSTRUCTIONS  | 1   | (EB) <IB> Change |
| A7       | RQT5114-2D  | OPERATING INSTRUCTIONS  | 1   | (EG) <IC> Change |
| A8       | RQT5115-1H  | OPERATING INSTRUCTIONS  | 1   | (EG) <ID> Change |
| P3       | RPG4556-1   | PACKING CASE            | 1   | (E) Change       |
| P3       | RPG4557-1   | PACKING CASE            | 1   | (EB, EG) Change  |
| P7       | RPQ1412     | PAD                     | 1   | Addition         |

### 3.3. SE-A909

#### ■Original

| Ref. No. | Part No.  | Part Name & Description | Pcs | Remarks   |
|----------|-----------|-------------------------|-----|-----------|
| 26       | XTB3+8JFZ | SCREW                   | 9   |           |
| A7       | RQT5167-E | OPERATING INSTRUCTIONS  | 1   | (E) <IA>  |
| A8       | RQT5170-B | OPERATING INSTRUCTIONS  | 1   | (EB) <IB> |
| A9       | RQT5168-D | OPERATING INSTRUCTIONS  | 1   | (EG) <IC> |
| A10      | RQT5169-H | OPERATING INSTRUCTIONS  | 1   | (EG) <ID> |
| P4       | RPN1205   | PAD                     | 1   |           |



#### ■Supplement

| Ref. No. | Part No.   | Part Name & Description | Pcs | Remarks          |
|----------|------------|-------------------------|-----|------------------|
| 26       | XTB3+8JFZ  | SCREW                   | 11  | Addition         |
| 32       | RGQ0339-K  | FAN COVER               | 1   | Addition         |
| A7       | RQT5167-2E | OPERATING INSTRUCTIONS  | 1   | (E) <IA> Change  |
| A8       | RQT5170-2B | OPERATING INSTRUCTIONS  | 1   | (EB) <IB> Change |
| A9       | RQT5168-2D | OPERATING INSTRUCTIONS  | 1   | (EG) <IC> Change |
| A10      | RQT5169-1H | OPERATING INSTRUCTIONS  | 1   | (EG) <ID> Change |
| P4       | RPN1205-1  | PAD                     | 1   | Change           |

### 3.4. SE-A1010

#### ■Original

| Ref. No. | Part No.  | Part Name & Description | Pcs | Remarks   |
|----------|-----------|-------------------------|-----|-----------|
| 26       | XTB3+8JFZ | SCREW                   | 9   |           |
| A5       | RQT5000-E | OPERATING INSTRUCTIONS  | 1   | (E) <IA>  |
| A6       | RQT5003-B | OPERATING INSTRUCTIONS  | 1   | (EB) <IB> |
| A7       | RQT5001-D | OPERATING INSTRUCTIONS  | 1   | (EG) <IC> |
| A8       | RQT5002-H | OPERATING INSTRUCTIONS  | 1   | (EG) <ID> |
| P4       | RPN1205   | PAD                     | 1   |           |

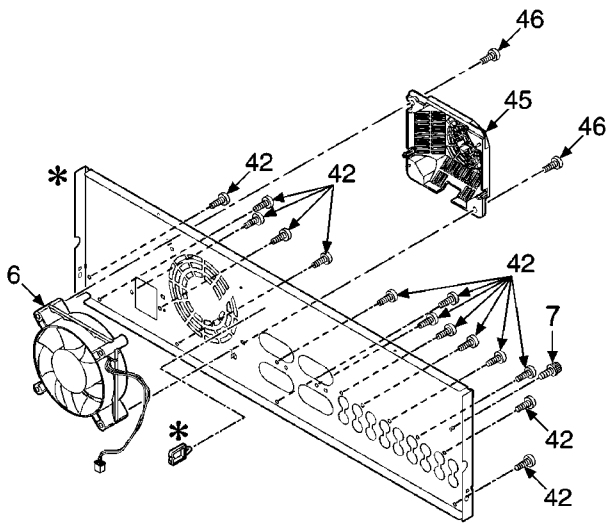


#### ■Supplement

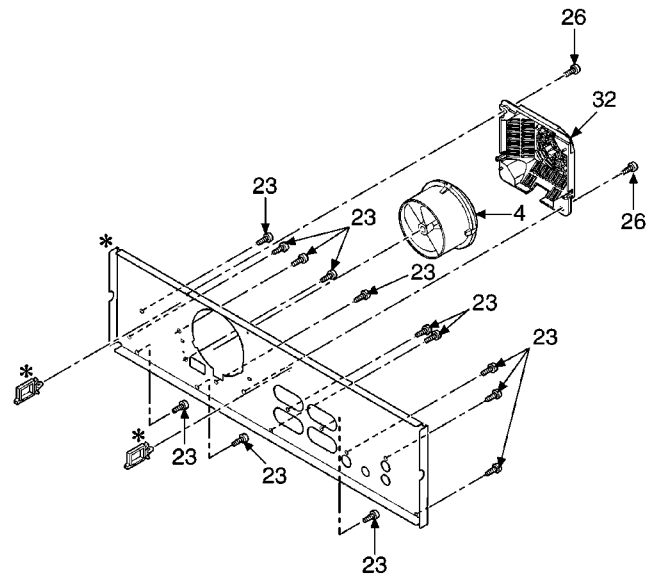
| Ref. No. | Part No.   | Part Name & Description | Pcs | Remarks          |
|----------|------------|-------------------------|-----|------------------|
| 26       | XTB3+8JFZ  | SCREW                   | 11  | Addition         |
| 36       | RGQ0339-K  | FAN COVER               | 1   | Addition         |
| A5       | RQT5000-2E | OPERATING INSTRUCTIONS  | 1   | (E) <IA> Change  |
| A6       | RQT5003-2B | OPERATING INSTRUCTIONS  | 1   | (EB) <IB> Change |
| A7       | RQT5001-2D | OPERATING INSTRUCTIONS  | 1   | (EG) <IC> Change |
| A8       | RQT5002-1H | OPERATING INSTRUCTIONS  | 1   | (EG) <ID> Change |
| P4       | RPN1205-1  | PAD                     | 1   | Change           |

# 4 Change of Cabinet Parts Location (Only the part to which Fan cover and Fan unit were added.)

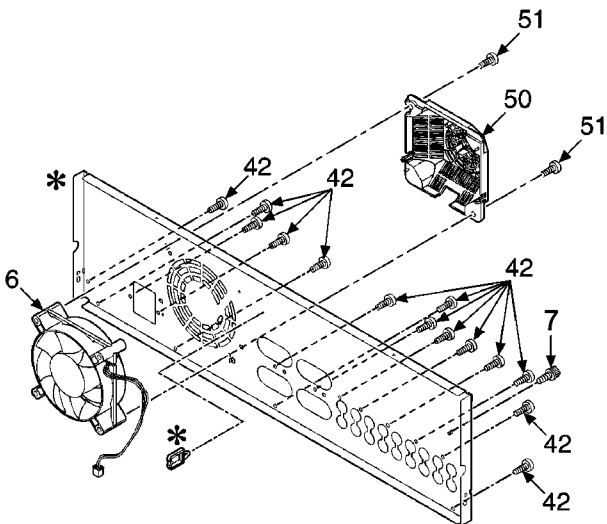
## 4.1. SU-A707



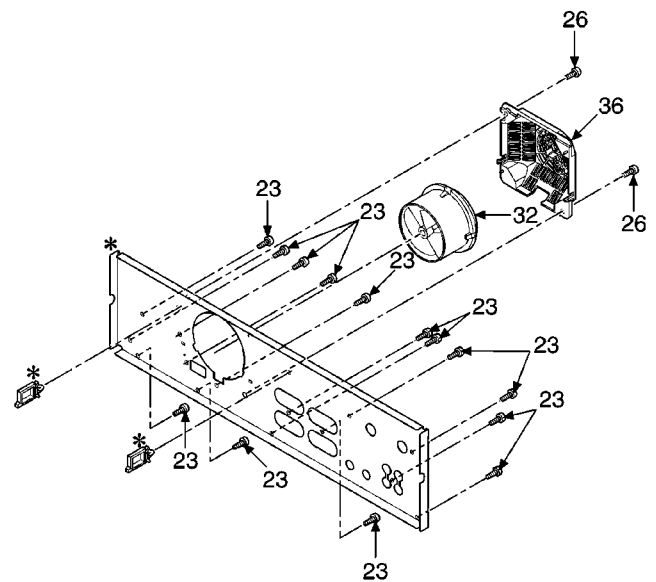
## 4.3. SE-A909S



## 4.2. SU-A808



## 4.4. SE-A1010



# 5 Change of Packaging

**Note:**

SE-A909S and SE-A1010 are not changed.

## 5.1. SU-A707 and SU-A808

