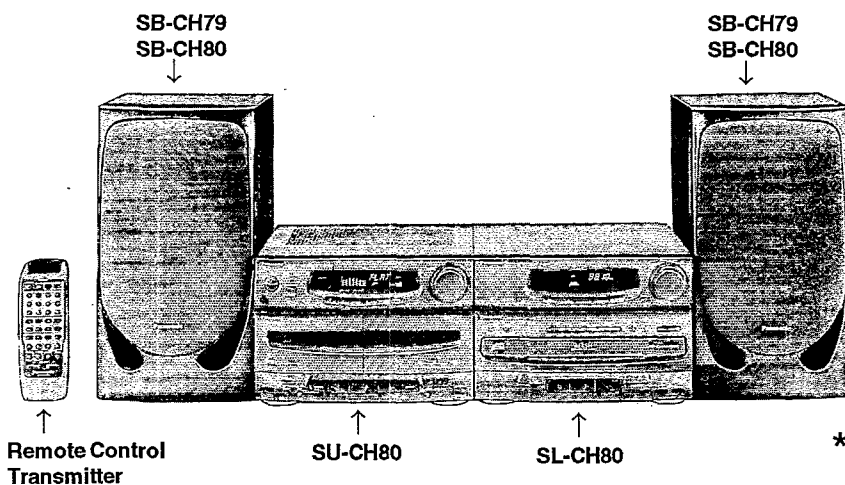


# Service Manual

\*  **DOLBY B NR**

## Cassette Deck/Amplifier SU-CH80

Colour  
(K) ... Black Type



(The configuration of the speakers differs according to the area.)

Suffix for Model No.	Area	Colour
(E)	Europe	(K)
(EB)	Great Britain	
(EG)	Germany and Italy	
(GN)	Oceania	

\* Dolby noise reduction manufactured under license from Dolby Laboratories Licensing Corporation. "Dolby" and the double-D symbol are trademarks of Dolby Laboratories Licensing Corporation.

Because of unique interconnecting cables, when a component requires service, send or bring in the entire system.

### TAPE DECK : AR300 MECHANISM SERIES

#### ■ SPECIFICATIONS

#### ■ AMPLIFIER SECTION

1 kHz continuous power output	
both channels driven	2 x 35 W (THD 1%, 6Ω)
PMPO (for Oceania area only)	400 W (THD 10%, 6Ω)
Total harmonic distortion	
half power at 1 kHz	0.05% (6Ω)
Frequency response	
AUX	52 Hz – 20 kHz (–3 dB)
Input sensitivity and impedance	
AUX	250 mV/22 kΩ
Graphic equalizer (Preset GE)	± 10 dB
	(100 Hz, 250 Hz, 1 kHz, 3.3 kHz, 12.5 kHz)
Load impedance	6Ω

Record/playback	Solid permalloy head (Rotary head)
Erasure	Double gap ferrite head
Motor	DC servo motor
Recording system	AC bias, 100 kHz
Erase system	AC erase, 100 kHz
Tape speed	4.8 cm/s
Frequency response	
NORMAL	30 Hz – 14 kHz (+3 dB, –6 dB)
CrO <sub>2</sub>	30 Hz – 15 kHz (+3 dB, –6 dB)
S/N (CrO <sub>2</sub> type tape)	
Dolby NR off	52 dB (A-WTD)
Dolby NR on	61 dB (CCIR)
Wow and flutter	0.1% (WRMS)
Fast forward and rewind time	Approx. 110 seconds with C-60 cassette tape

#### ■ CASSETTE DECK SECTION

Track system	4 track, 2 channel
Heads	
Playback	Solid permalloy head (Rotary head)

#### ■ GENERAL

Power consumption	130 W
Power supply	AC 50Hz, 230 – 240 V
Dimensions (W x H x D)	270 x 184.4 x 361.4 mm
Weight	6.3 kg

Note:  
1. Specifications are subject to change without notice.  
2. Weight and dimensions are approximate.  
3. Total harmonic distortion is measured by the digital spectrum analyzer.

System	Tuner/Compact Disc Changer	Cassette Deck/Amplifier	Speakers
SC-CH80 E	SD-CH80 E		* SB-CH80 E
	SL-CH80 E	SU-CH80 E	
SC-CH80 EB	SD-CH80 EB		
	SL-CH80 E	SU-CH80 EB	
SC-CH80 EG	SD-CH80 EG		
	SL-CH80 EG	SU-CH80 EG	
SC-CH80 GN	SL-CH80 GN	SU-CH80 GN	SB-CH79 P

\* Made in PAES

# Panasonic

## ■ CONTENTS

	PAGE		PAGE
• BEFORE REPAIR AND ADJUSTMENT.....	2	• SELF-DIAGNOSIS MODE.....	38
• PROTECTION CIRCUITRY.....	2	• GENERAL INSPECTION.....	39
• ACCESSORIES.....	3	• WIRE CONNECTION DIAGRAM.....	40
• CAUTION FOR AC MAINS LEAD.....	4	• BLOCK DIAGRAM.....	41 ~ 44
• CONNECTIONS.....	5 ~ 7	• MECHANISM PARTS LOCATION.....	45 ~ 48
• LOCATION OF CONTROLS.....	8	• MECHANISM PARTS LIST.....	49 & 50
• DISASSEMBLY INSTRUCTIONS.....	9 ~ 13	• CABINET PARTS LOCATION.....	51 & 52
• TERMINAL GUIDE OF ICs, TRANSISTORS & DIODES.....	14	• REPLACEMENT PARTS LIST.....	53 ~ 56
• SCHEMATIC DIAGRAM.....	15 ~ 27	• RESISTORS & CAPACITORS.....	57 ~ 61
• PRINTED CIRCUIT BOARD.....	28 ~ 34	• PACKING MATERIALS & ACCESSORIES.....	61
• TERMINAL FUNCTION OF IC'S.....	35	• PACKAGING.....	62
• MEASUREMENTS AND ADJUSTMENTS.....	36 & 37		

## ■ BEFORE REPAIR AND ADJUSTMENT

Disconnect AC power, discharge both Power Supply Capacitors C541 and C542 through a 10Ω, 5W resistor to ground.

DO NOT SHORT-CIRCUIT DIRECTLY (with a screwdriver blade, for instance), as this may destroy solid state devices.

After repairs are completed, restore power gradually using a variac, to avoid overcurrent.

Current consumption at 230V, 50Hz (E, EG areas) in NO SIGNAL mode should be less than 310 mA or

Current consumption at 240V, 50Hz (EB, GN areas) in NO SIGNAL mode should be less than 300 mA.

## ■ PROTECTION CIRCUITRY

The protection circuitry may have operated if either of the following conditions are noticed :

- No sound is heard when the power is turned on.
- Sound stops during a performance.

The function of this circuitry is to prevent circuitry damage if, for example, the positive and negative speaker connection wires are "shorted", or if speaker systems with an impedance less than the indicated rated impedance of the amplifier are used.

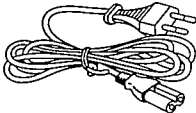
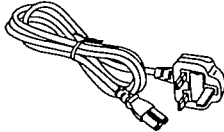
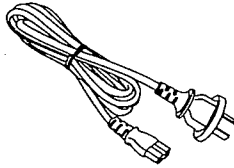
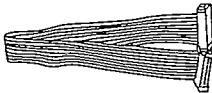
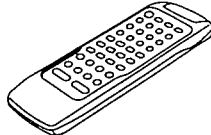
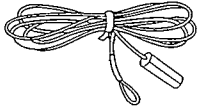
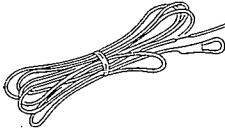
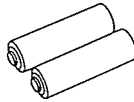


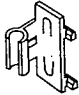

If this occurs, follow the procedure outlines below :

1. Turn off the power.
2. Determine the cause of the problem and correct it.
3. Turn on the power once again after one minute.

Note :

When the protection circuitry functions, the unit will not operate unless the power is first turned off and then on again.

# ■ ACCESSORIES

<input type="checkbox"/> AC power supply cord..... 1 pc. (For E, EG areas : RJA0019-2K)                      (For EB area : VJA0733)                      (For GN area : RJA0036-K)		
		
<input type="checkbox"/> Flat Cable..... 1 pc. (REX0581)		<input type="checkbox"/> Remote control transmitter..... 1 pc. (EUR642181)
		
<input type="checkbox"/> FM indoor antenna..... 1 pc. (For E, EB & EG areas : SSA270)                      (For GN area : SSA272)		<input type="checkbox"/> Remote control batteries..... 2 pcs. (R03, UM-4, AAA)
		
<input type="checkbox"/> AM loop antenna..... 1 pc. (SLA9Z5T)		<input type="checkbox"/> Attachment plug..... 1 pc. (For EB area only : SJP9009)
<input type="checkbox"/> Antenna holder..... 1 pc. (RMN0244)	<input type="checkbox"/> Screw..... 1 pc. (XTV3+12AFZ)	
		

## ■ CAUTION FOR AC MAINS LEAD

### [For [EB] area.]

For your safety, please read the following text carefully.

This appliance is supplied with a moulded three pin mains plug for your safety and convenience.

A 5-ampere fuse is fitted in this plug.

Should the fuse need to be replaced please ensure that the replacement fuse has a rating of 5-ampere and that it is approved by ASTA or BSI to BS1362.

Check for the ASTA mark  or the BSI mark  on the body of the fuse.

If the plug contains a removable fuse cover you must ensure that it is refitted when the fuse is replaced.

If you lose the fuse cover, the plug must not be used until a replacement cover is obtained.

A replacement fuse cover can be purchased from your local dealer.

### CAUTION !

IF THE FITTED MOULDED PLUG IS UNSUITABLE FOR THE SOCKET OUTLET IN YOUR HOME THEN THE FUSE SHOULD BE REMOVED AND THE PLUG CUT OFF AND DISPOSED OFF SAFELY.

THERE IS A DANGER OF SEVERE ELECTRICAL SHOCK IF THE CUT OFF PLUG IS INSERTED INTO ANY 13-AMPERE SOCKET.

If a new plug is to be fitted, please observe the wiring code as shown below.

If in any doubt please consult a qualified electrician.

### IMPORTANT

The wires in this lead are coloured in accordance with the following code:

Blue: Neutral

Brown: Live

As the colours of the wires in the mains lead of this appliance may not correspond with the coloured markings identifying the terminals in your plug, proceed as follows:

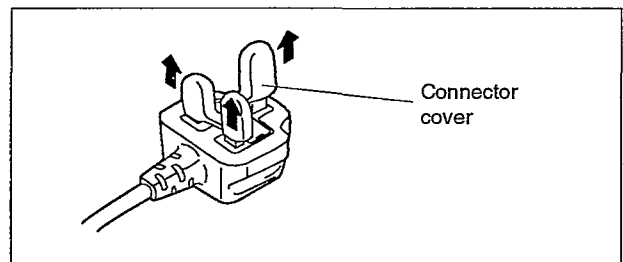
The wire which is coloured BLUE must be connected to the terminal in the plug which is marked with the letter N or coloured BLACK.

The wire which is coloured BROWN must be connected to the terminal in the plug which is marked with the letter L or coloured RED.

Under no circumstances should either or these wires be connected to the earth terminal of the three pin plug, marked with the letter E or the Earth symbol  $\perp$ .

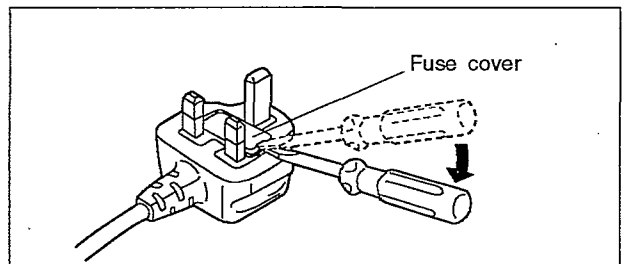
### Before use

Remove the connector cover as follows.

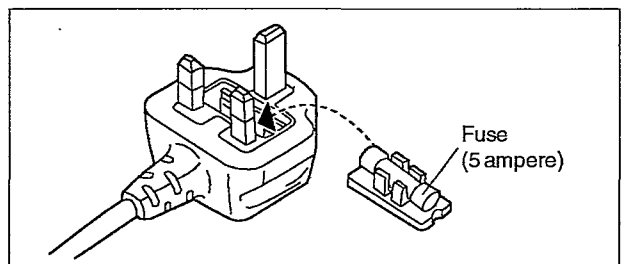


### How to replace the fuse

1. Remove the fuse cover with a screwdriver.

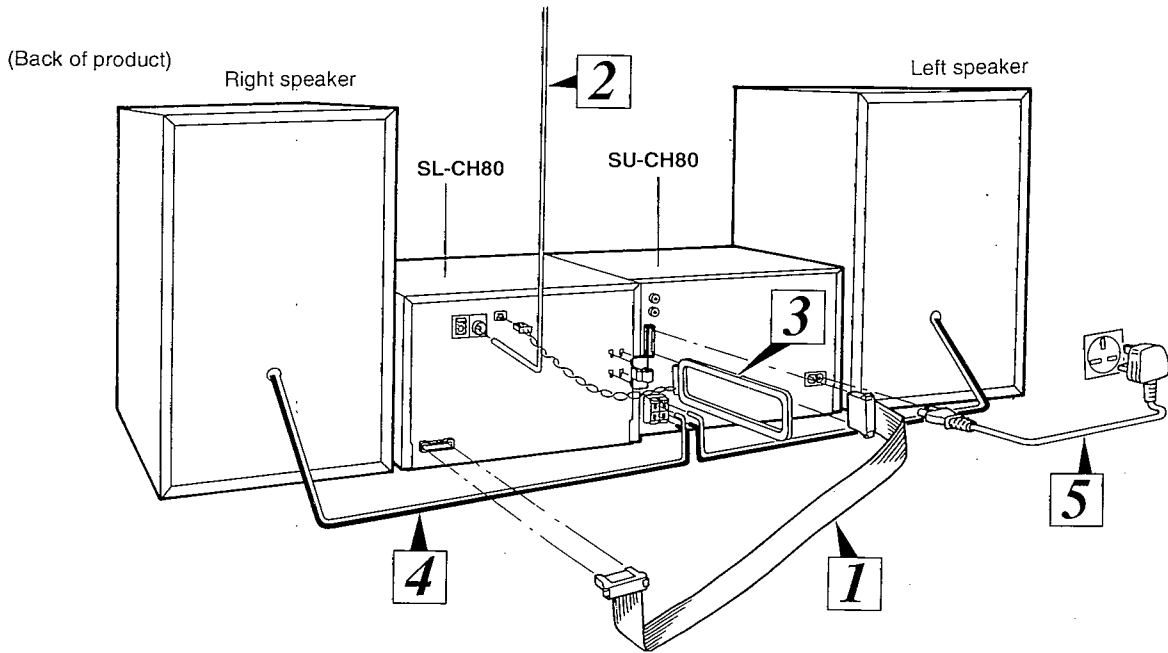


2. Replace the fuse and attach the fuse cover.



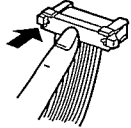
# CONNECTIONS

The configuration of the AC power supply cord and FM indoor antenna differ according to the area.

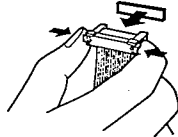


## 1 Connect the flat cable to connectors A, B of the rear panel.

Connecting

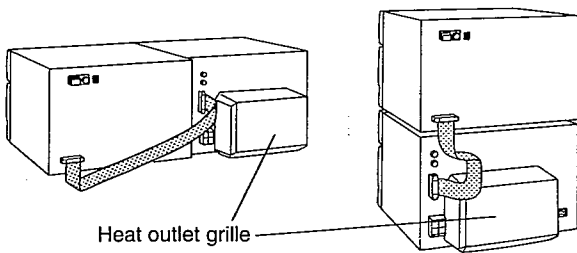


Disconnecting



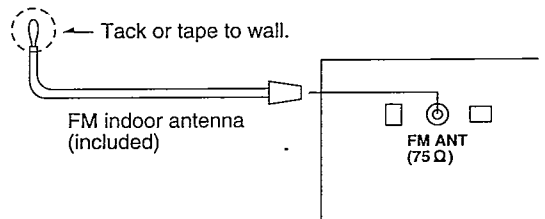
Hold the connector with the recessed part up and press in at the centre until you hear a click.

After connection, fold and press the cable as flat to the back of the unit as possible.

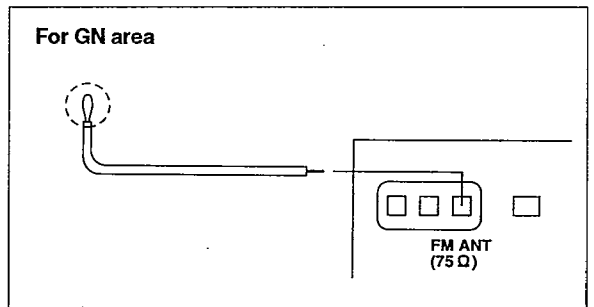


## 2 Connect the FM indoor antenna.

Install the antenna on a wall at a height and in a direction which result in the best reception.



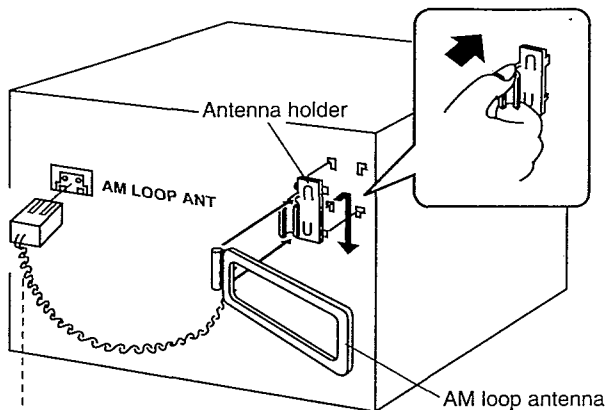
The tip of the internal antenna wire should not come into contact with any metal objects.



**Do not try connecting or disconnecting the flat cable while the power is switched to ON.**

### 3 Connect the AM (LW/MW) loop antenna.

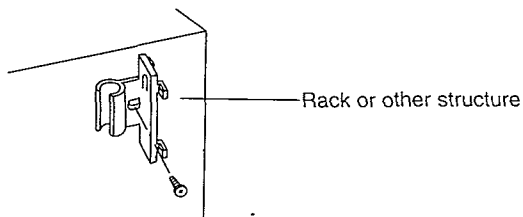
1. Attach the antenna holder to the rear panel of the tuner/compact disc changer.
2. Clamp the AM loop antenna to the antenna holder and connect the antenna terminal to the rear panel of the tuner/compact disc changer.
3. Position the loop for the best reception.



Press in until you hear a click.

Hold the antenna holder, and slide it down while pressing.

You may attach the antenna holder to a rack or the other structure with a screw (included).



**Note**

To minimize noise pickup, keep the AM loop antenna cord away from the flat cable.

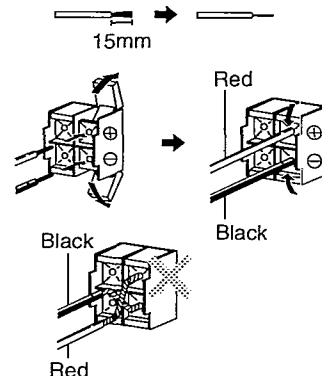
### 4 Connect the right (R) and left (L) speaker cables.

**Notes**

- The load impedance of any speaker used with this unit must be 6Ω.
- Be sure to connect the cable from the right speaker to the right terminal and the cable from the left speaker to the left terminal.

**Connection of speaker cables**

1. Strip off the outer covering, and twist the centre conductor. Make sure the bare ends of the wires are not unraveled. (if they are, twist them tight again.)
2. Insert the wire to the rear panel of the cassette deck/ amplifier, and close the lever.



**Notes**

- Be sure to connect only positive (red) wires to positive (+) terminals and negative (black) wires to negative (-) terminals.
- To prevent damage to circuitry, never short-circuit positive (+) and negative (-) speaker wires.

**For EB area**

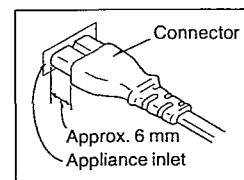
**BE SURE TO READ THE CAUTION FOR AC MAINS LEAD ON PAGE 4 BEFORE PROCEEDING TO STEP 5.**

### 5 Connect the AC power supply cord after you have connected all other cables.

**For E, EB & EG areas**

**Insertion of connector :**

Even when the connector is perfectly inserted, depending on the type of inlet used, the front part of the connector may jut out as shown in the drawing. However, there is no problem using the unit.

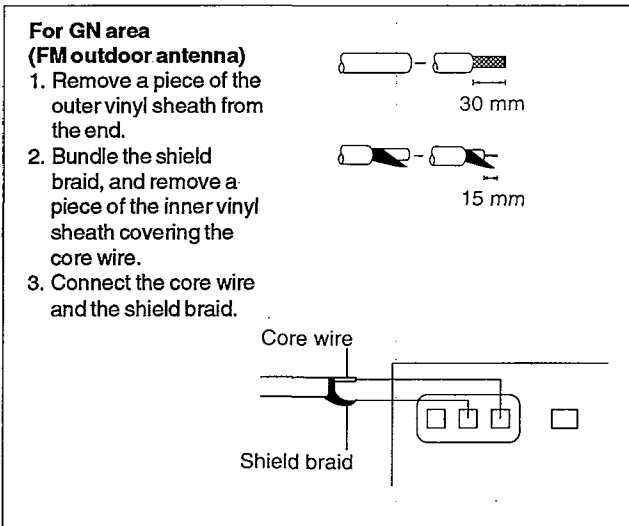
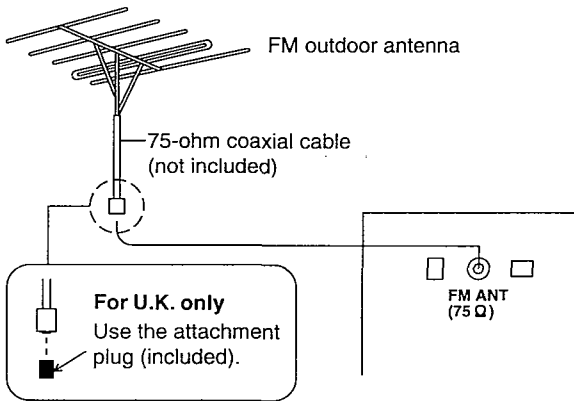


## Optional antenna connections

### FM outdoor antenna (not included)

If the FM indoor antenna does not provide satisfactory reception of FM broadcasts, use an outdoor antenna.

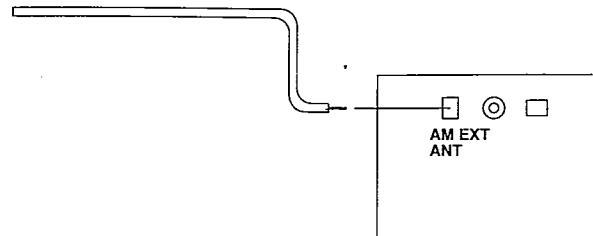
You may need an outdoor antenna if you use this system in a mountainous region or inside a reinforced-concrete building, etc. An outdoor antenna should be installed by a competent technician only.



### AM (LW/MW) outdoor antenna (not included)

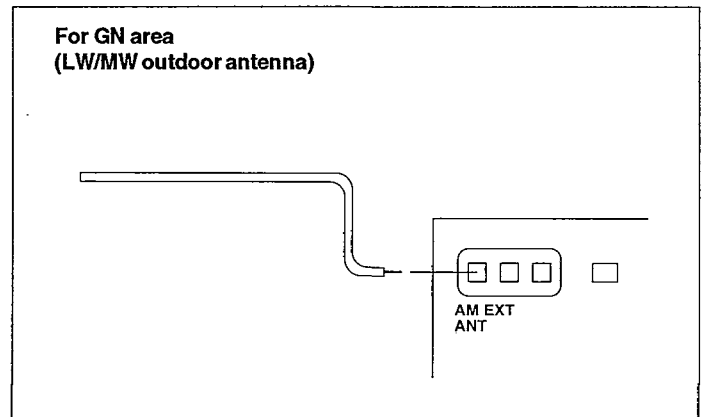
An outdoor antenna may be required in a mountainous region, or if this system is located inside a reinforced-concrete building, etc.

Run 5 to 12 m of vinyl-covered wire horizontally along a window or other convenient location.



**Notes**

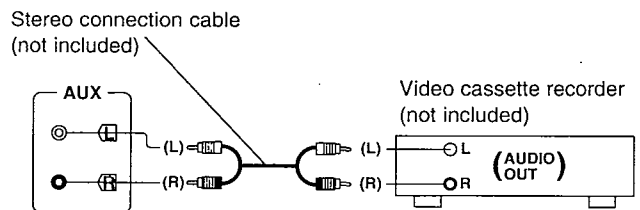
Do not remove the AM loop antenna.



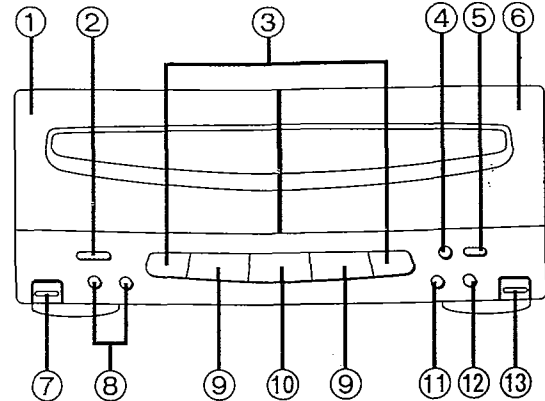
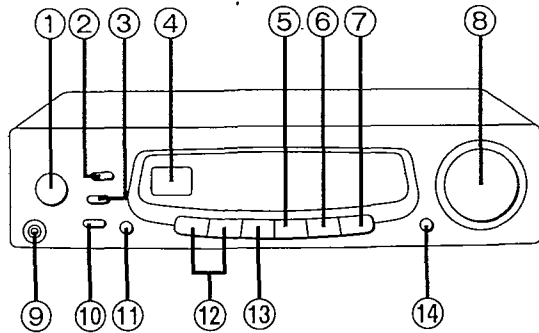
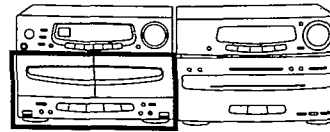
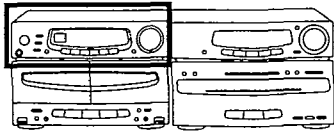
### External unit connection

You can connect an external unit, such as audio tape deck (for playback only) or VCR (not included).

**Connecting a external unit**



## LOCATION OF CONTROLS



### Amplifier section

- ① **Power "STANDBY /ON" switch**  
(POWER, STANDBY /ON)  
Press to switch the unit from on to standby mode or vice versa. In standby mode, the unit is still consuming a small amount of power.
- ② **Record timer button (REC TIMER)**
- ③ **Play timer button (PLAY TIMER)**
- ④ **Remote control signal sensor (SENSOR)**
- ⑤ **EQ mode button (EQ MODE)**
- ⑥ **SPACE mode button (SPACE MODE)**
- ⑦ **V. BASS button (V. BASS)**
- ⑧ **Volume control (VOLUME)**
- ⑨ **Headphones jack (PHONES)**
- ⑩ **Clock/timer button (CLOCK/TIMER)**
- ⑪ **Setting button (SET)**
- ⑫ **Timer adjust/effect control buttons**  
(TIME/EFFECT)
- ⑬ **ON/FLAT button (ON/FLAT)**
- ⑭ **Display mode select button**  
(DISPLAY, - SELECT, - MODE)

### Cassette deck section

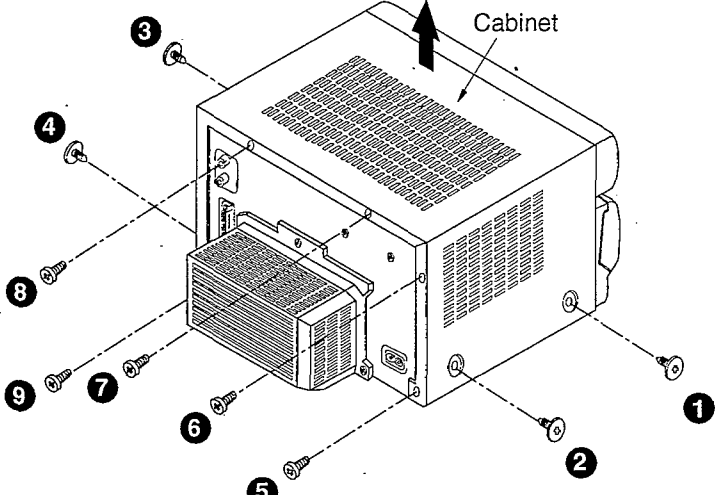
- ① **Deck 1 cassette holder**
- ② **Deck 1/deck 2 select button (DECK 1/2)**
- ③ **Fast forward/rewind/tape program sensor buttons [ , (TPS), (TPS) ]**
- ④ **Dolby noise reduction button (DOLBY NR)**
- ⑤ **Record pause button (REC PAUSE)**
- ⑥ **Deck 2 cassette holder**
- ⑦ **Deck 1 cassette eject button ( EJECT)**
- ⑧ **One-touch tape edit buttons (NORMAL, HIGH)**
- ⑨ **Playback buttons ( , )**
- ⑩ **Stop button ( )**
- ⑪ **Counter reset button (COUNTER RESET)**
- ⑫ **Reverse mode select button (REVERSE MODE)**
- ⑬ **Deck 2 cassette eject button ( EJECT)**

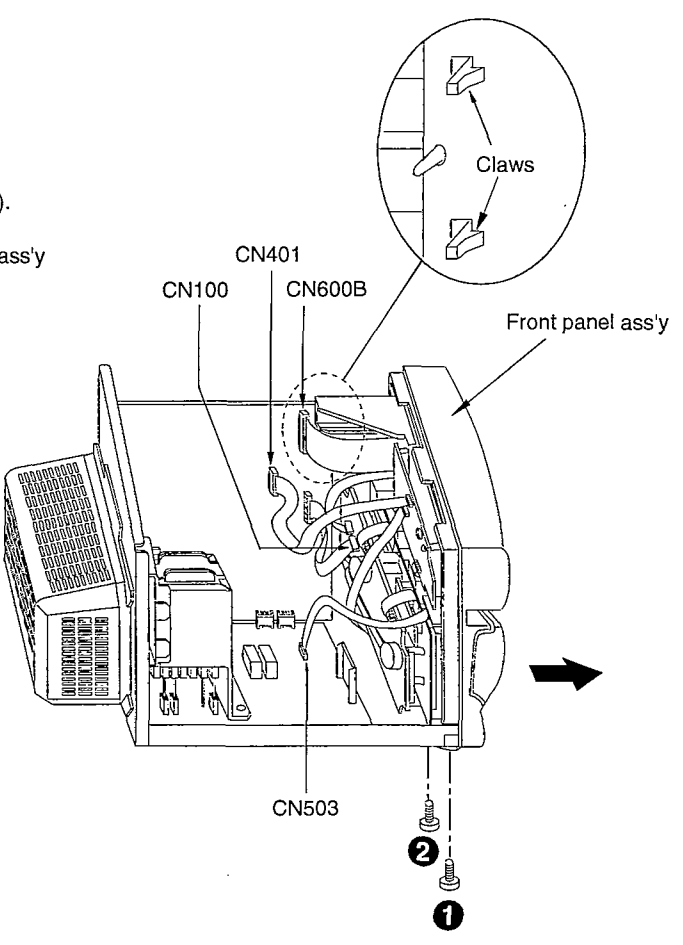


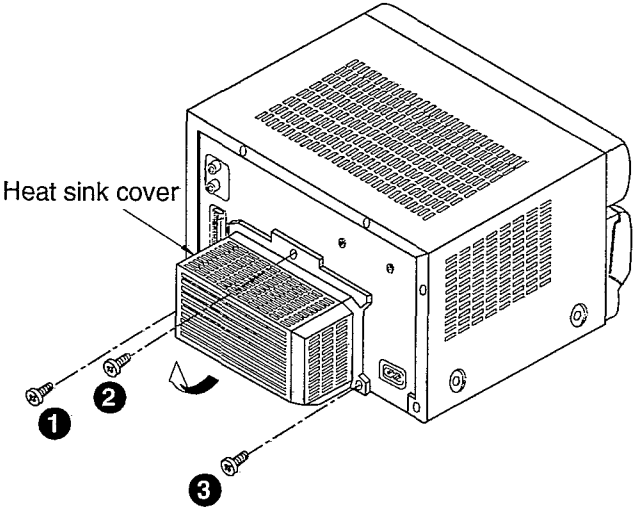
# DISASSEMBLY INSTRUCTIONS

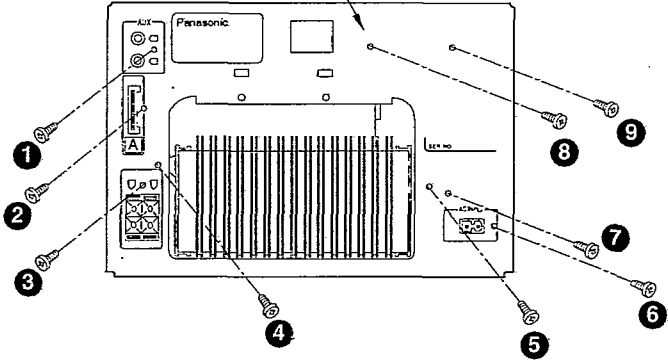
## "ATTENTION SERVICER"

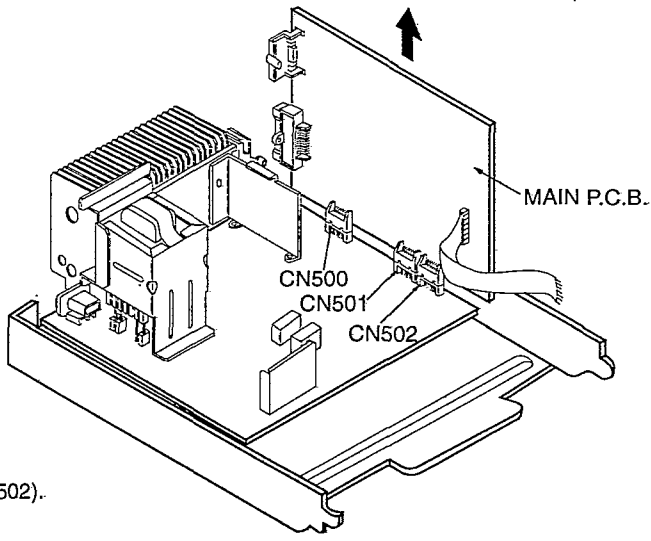
Some chassis components may have sharp edges. Be careful when disassembling and servicing.

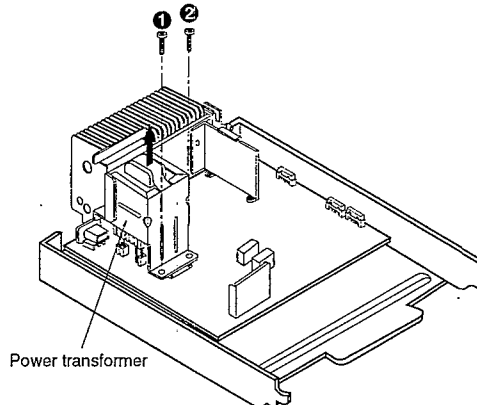
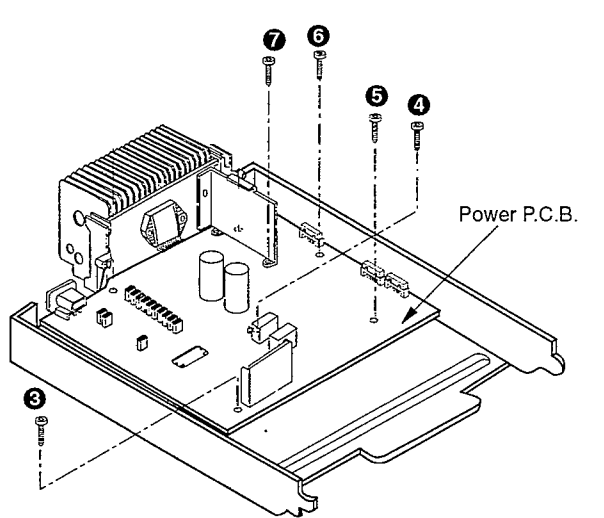
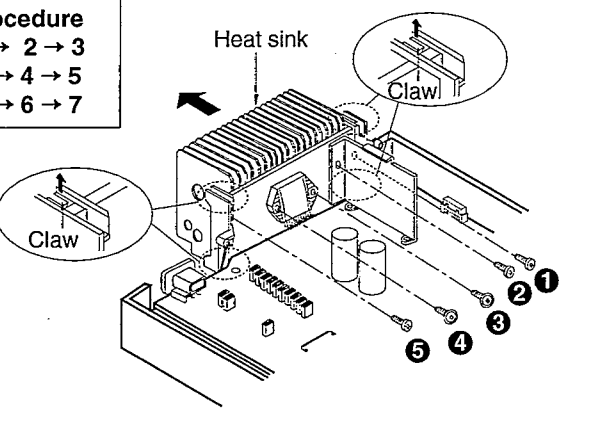
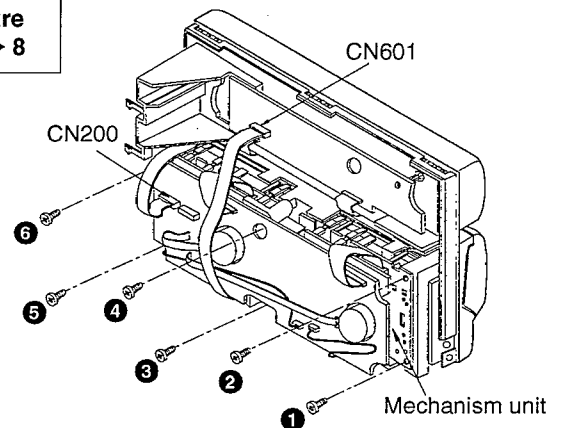
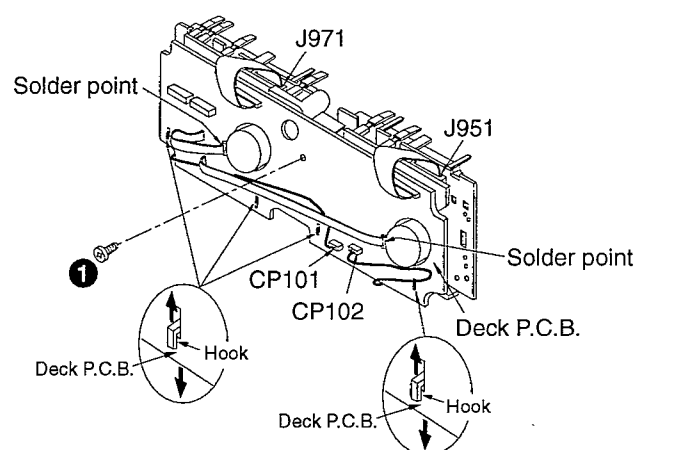
<b>Ref. No.</b> 1	<b>Removal of the Cabinet</b>
<b>Procedure</b> 1	 <p>1. Remove 9 screws ( ❶ ~ ❹ ). 2. Remove the cabinet in the direction of arrow.</p>

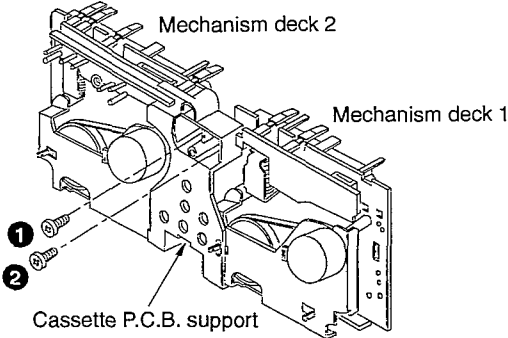
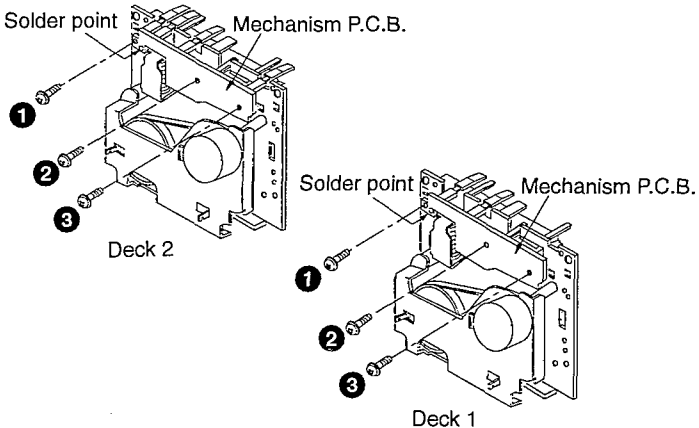
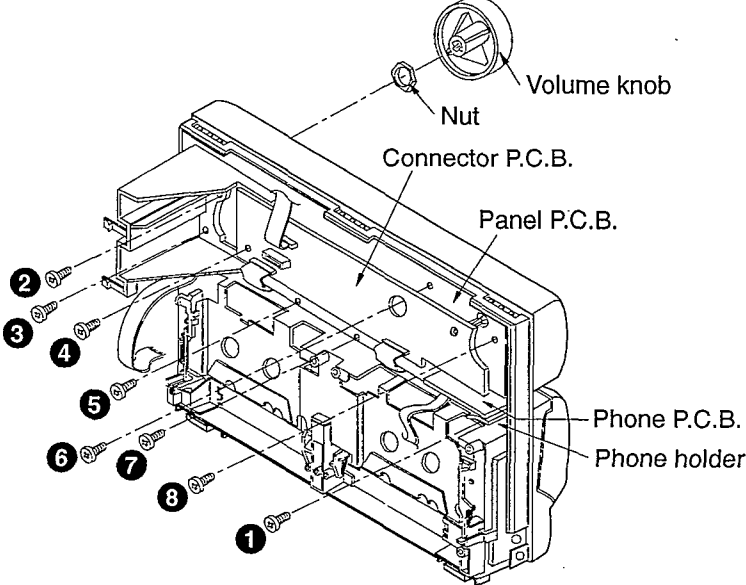
<b>Ref. No.</b> 2	<b>Removal of the Front Panel Ass'y</b>
<b>Procedure</b> 1 → 2	 <p>1. Remove 4 connectors (CN100, CN401, CN503 &amp; CN600B). 2. Release 2 claws. 3. Remove 2 screws ( ❶ &amp; ❷ ) and remove the front panel ass'y in the direction of arrow.</p>

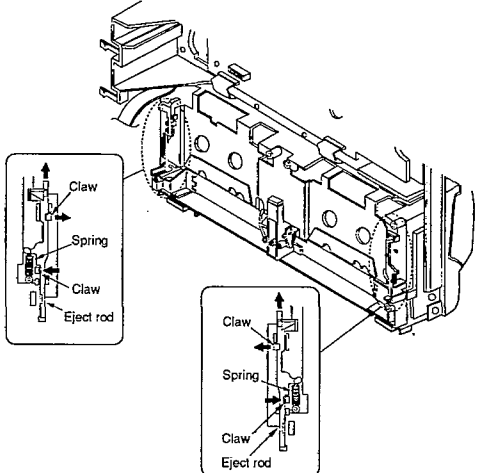
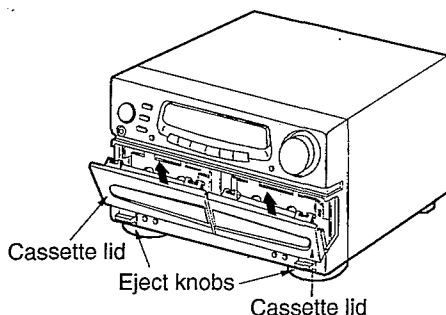
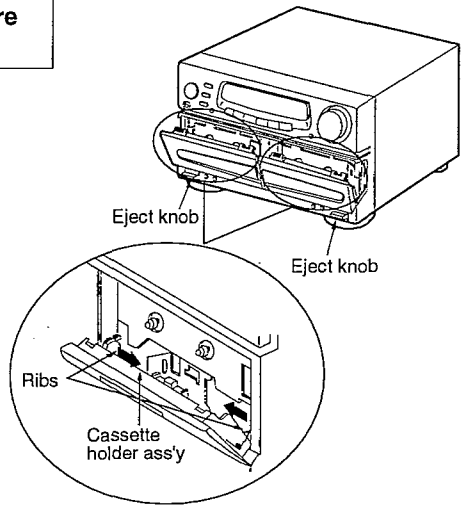
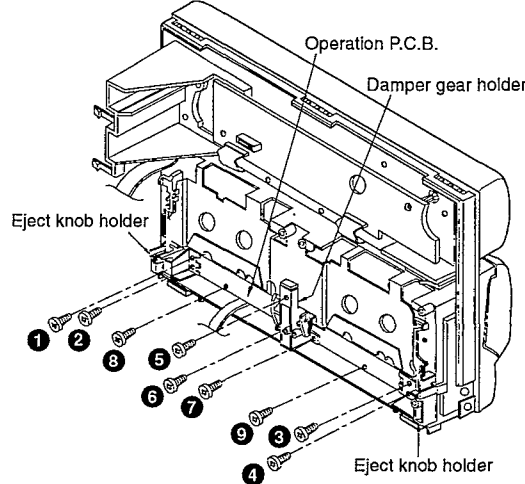
<p>Ref. No. 3</p>	<p><b>Removal of the Heat Sink Cover</b></p>
<p>Procedure 3</p>	
<p>1. Remove 3 screws ( ❶ ~ ❸ ).</p> <p>2. Remove the heat sink cover in the direction of arrow.</p>  <p>Heat sink cover</p>	

<p>Ref. No. 4</p>	<p><b>Removal of the Rear Panel</b></p>
<p>Procedure 1 → 3 → 4</p>	
<p>• Remove 9 screws ( ❶ ~ ❹ ).</p>  <p>Rear Panel</p>	

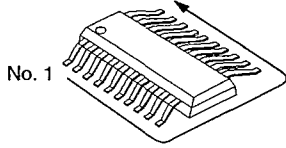
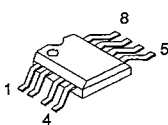
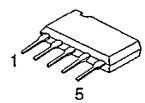
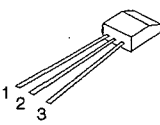
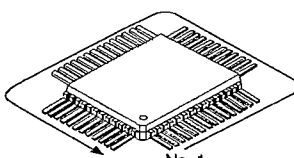
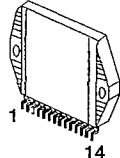
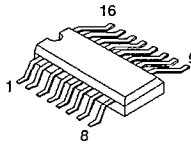

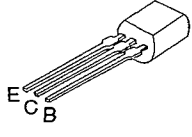
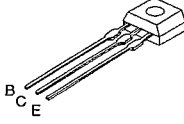
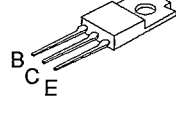
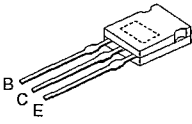
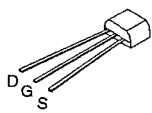
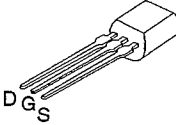
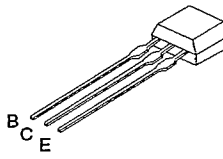
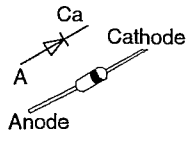
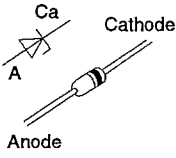
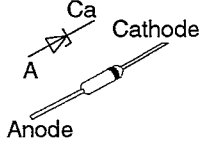
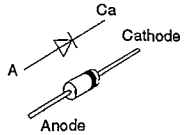
<p>Ref. No. 5</p>	<p><b>Removal of the Main P.C.B.</b></p>
<p>Procedure 1 → 2 → 4 → 5</p>	
<p>• Pull out the Main P.C.B. from 3 connectors (CN500, CN501 &amp; CN502).</p>  <p>MAIN P.C.B.</p> <p>CN500 CN501 CN502</p>	

<p><b>Ref. No.</b> 6</p>	<p><b>Removal of the Power P.C.B.</b></p>	
<p><b>Procedure</b> 1 → 2 → 3 → 4 → 5 → 6</p>	 <p>Power transformer</p>	 <p>Power P.C.B.</p>
<ol style="list-style-type: none"> <li>1. Remove 2 screws ( ❶ &amp; ❷ ).</li> <li>2. Remove the power transformer in the direction of arrow.</li> <li>3. Remove 5 screws ( ❸ ~ ❷ ).</li> <li>4. Remove the power P.C.B.</li> </ol>		
<p><b>Ref. No.</b> 7</p>	<p><b>Removal of the Heat Sink</b></p>	<p><b>Ref. No.</b> 8</p> <p><b>Removal of the Mechanism Unit</b></p>
<p><b>Procedure</b> 1 → 2 → 3 → 4 → 5 → 6 → 7</p>	 <p>Heat sink</p> <p>Claw</p>	<p><b>Procedure</b> 1 → 2 → 8</p>  <p>CN601</p> <p>CN200</p> <p>Mechanism unit</p>
<ol style="list-style-type: none"> <li>1. Remove 5 screws ( ❶ ~ ❷ ).</li> <li>2. Release 4 claws.</li> </ol>		
<p><b>Ref. No.</b> 9</p>	<p><b>Removal of the Deck P.C.B.</b></p>	
<p><b>Procedure</b> 1 → 2 → 8 → 9</p>	 <p>J971</p> <p>Solder point</p> <p>J951</p> <p>Solder point</p> <p>CP101</p> <p>CP102</p> <p>Deck P.C.B.</p> <p>Deck P.C.B.</p> <p>Hook</p> <p>Hook</p>	
<ol style="list-style-type: none"> <li>1. Remove 1 screw ( ❶ ).</li> <li>2. Remove 4 connectors (J951, J971, CP101 &amp; CP102).</li> <li>3. Remove 2 solder points.</li> <li>4. Release 4 hooks.</li> </ol>		

<p><b>Ref. No.</b> 10</p>	<p><b>Removal of the Mechanism Deck (Deck 1 and Deck 2)</b></p>
<p><b>Procedure</b> 1 → 2 → 8 → 9 → 10</p> <p>1. Remove 2 screws ( ❶ &amp; ❷ ). 2. Remove the Cassette P.C.B. support.</p>	
<p><b>Ref. No.</b> 11</p>	<p><b>Removal of the Mechanism P.C.B. (Deck 1 and Deck 2)</b></p>
<p><b>Procedure</b> 1 → 2 → 8 → 9 → 10 → 11</p> <p>1. Remove 3 screws ( ❶ ~ ❸ ). 2. Remove one solder point. 3. Remove the mechanism P.C.B.</p>	
<p><b>Ref. No.</b> 12</p>	<p><b>Removal of the Panel, Phone &amp; Connector P.C.B.</b></p>
<p><b>Procedure</b> 1 → 2 → 8 → 12</p> <p>1. Remove 1 screw ( ❶ ). 2. Remove the phone holder and phone P.C.B. 3. Remove 7 screws ( ❷ ~ ❸ ). 4. Remove the volume knob and a nut. 5. Remove the panel and connector P.C.B.</p>	

<p><b>Ref. No.</b> 13</p>	<p><b>Removal of the Eject Rod (Deck 1 and Deck 2)</b></p>		
<p><b>Procedure</b> 1 → 2 → 8 → 13</p>	<p>1. Push the eject rod in the direction of arrow and then open the cassette holder.</p> <p>2. Remove the spring.</p> <p>3. Release 2 claws and then remove the eject rod.</p> 		
<p><b>Ref. No.</b> 14</p>	<p><b>Removal of the Cassette Lid (Deck 1 and Deck 2)</b></p>	<p><b>Ref. No.</b> 15</p>	<p><b>Removal of the Cassette Holder (Deck 1 and Deck 2)</b></p>
<p><b>Procedure</b> 14</p>	 <p>1. Press the eject knob.</p> <p>2. Pull out the cassette lid in the direction of arrow.</p>		<p><b>Procedure</b> 15</p>  <p>1. Press the eject knob.</p> <p>2. Release the ribs of the cassette holder in the direction of arrows.</p> <p>3. Pull out the cassette holders.</p>
<p><b>Ref. No.</b> 16</p>	<p><b>Removal of the Operation P.C.B.</b></p>		
<p><b>Procedure</b> 1 → 2 → 8 → 15 → 16</p>	<p>1. Remove 4 screws ( ❶ ~ ❹ ).</p> <p>2. Remove the eject knobs and its holders:</p> <p>3. Remove 3 screws ( ❺ ~ ❷ ).</p> <p>4. Remove the damper gear holder.</p> <p>5. Remove 2 screws ( ❸ ~ ❾ ).</p> <p>6. Remove the operation P.C.B.</p> 		

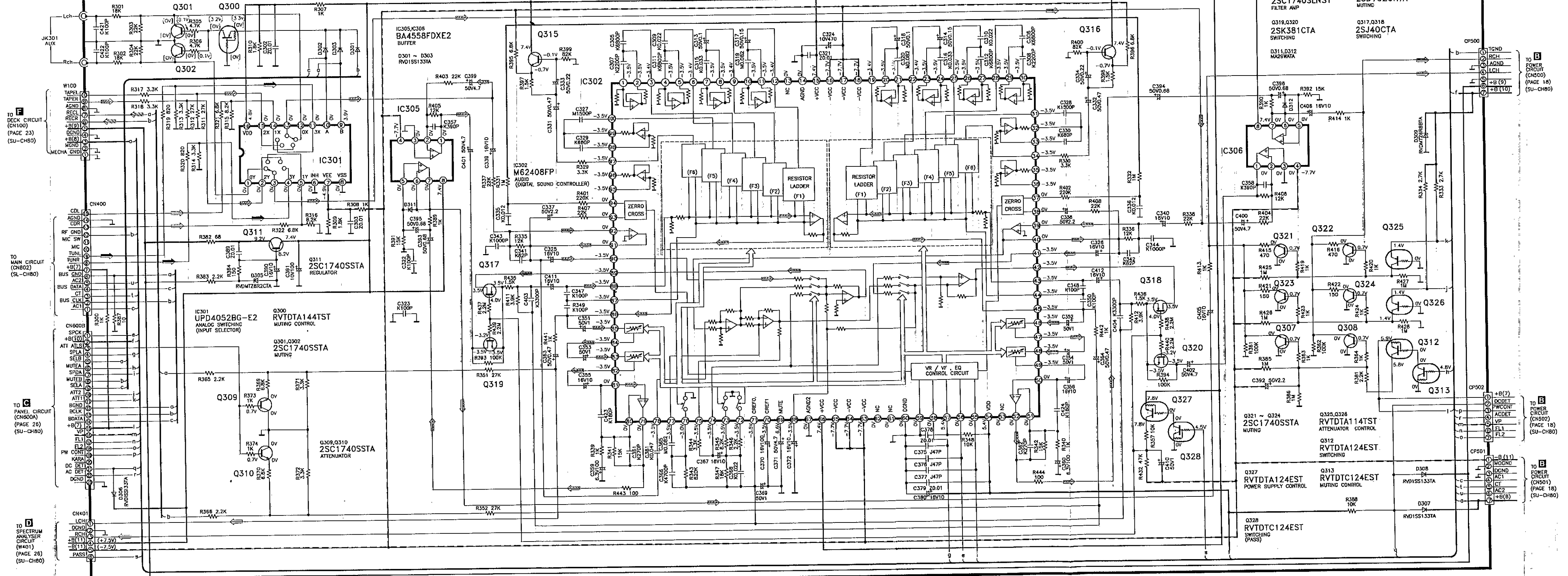
# ■ TERMINAL GUIDE OF ICs, TRANSISTORS & DIODES

 <p>No. 1</p>	<table border="1"> <tr><td>BU2040F-E2</td><td>16 Pin</td></tr> <tr><td>BU4066BF-E2</td><td>14 Pin</td></tr> <tr><td>CXA1102M-T4</td><td>16 Pin</td></tr> <tr><td>LA5608M-TE-L</td><td>14 Pin</td></tr> <tr><td>M51167BFP-E1</td><td>36 Pin</td></tr> </table>	BU2040F-E2	16 Pin	BU4066BF-E2	14 Pin	CXA1102M-T4	16 Pin	LA5608M-TE-L	14 Pin	M51167BFP-E1	36 Pin	<p>BA4558FDXE2</p> 	<p>BA7755A</p> 	<p>DN6851ALB</p> 
BU2040F-E2	16 Pin													
BU4066BF-E2	14 Pin													
CXA1102M-T4	16 Pin													
LA5608M-TE-L	14 Pin													
M51167BFP-E1	36 Pin													
 <p>No. 1</p>	<table border="1"> <tr><td>M38173M6272</td><td>80 Pin</td></tr> <tr><td>M62408FP</td><td>100 Pin</td></tr> </table>	M38173M6272	80 Pin	M62408FP	100 Pin	<p>SVI3101D</p> 	<p>UPD4052BG-E2</p> 	<p>2SC2784FTA 2SD1450STA</p> 						
M38173M6272	80 Pin													
M62408FP	100 Pin													
 <p>2SA564RTA 2SB621ARTA 2SB621RTA 2SD965RTA</p>	 <p>2SC2785FTA 2SD1020HTA</p>	 <p>2SB1185E 2SD1273P 2SD1762E</p>		 <p>2SD2037ETA</p>										
 <p>2SJ40CDTA 2SJ40CTA 2SK381CTA</p>	 <p>2SK301QTA</p>	 <p>2SA933SSTA 2SC1740SLNET 2SC1740SLNST 2SC1740SSTA RVDTA114EST RVDTA114TST RVDTA124EST RVDTA143XST</p>		<p>RVDTA144TST RVDTC114TST RVDTC124EST RVDTC144EST RVDTC144TST</p>										
 <p>1SS291TA MA29WATA RVD1SS133TA</p>	 <p>MA4300HTA</p>	 <p>RVDMTZ10BTA RVDMTZ15CTA RVDMTZ3R6BTA RVDMTZ4R7BTA RVDMTZ5R1BTA RVDMTZ6R2ATA RVDMTZ6R8ATA RVDMTZ6R8BTA</p>		<p>RVDMTZ8R2CTA</p>										
<p>1D3E 1N5402BM21</p> 														

SCHEMATIC DIAGRAM

1 2 3 4 5 6 7 8 9 10 11 12 13 14

A MAIN CIRCUIT



TO DECK CIRCUIT (CN100) (PAGE 23) (SU-CH80)

TO MAIN CIRCUIT (CN802) (SL-CH80)

TO PANEL CIRCUIT (CN800A) (PAGE 26) (SU-CH80)

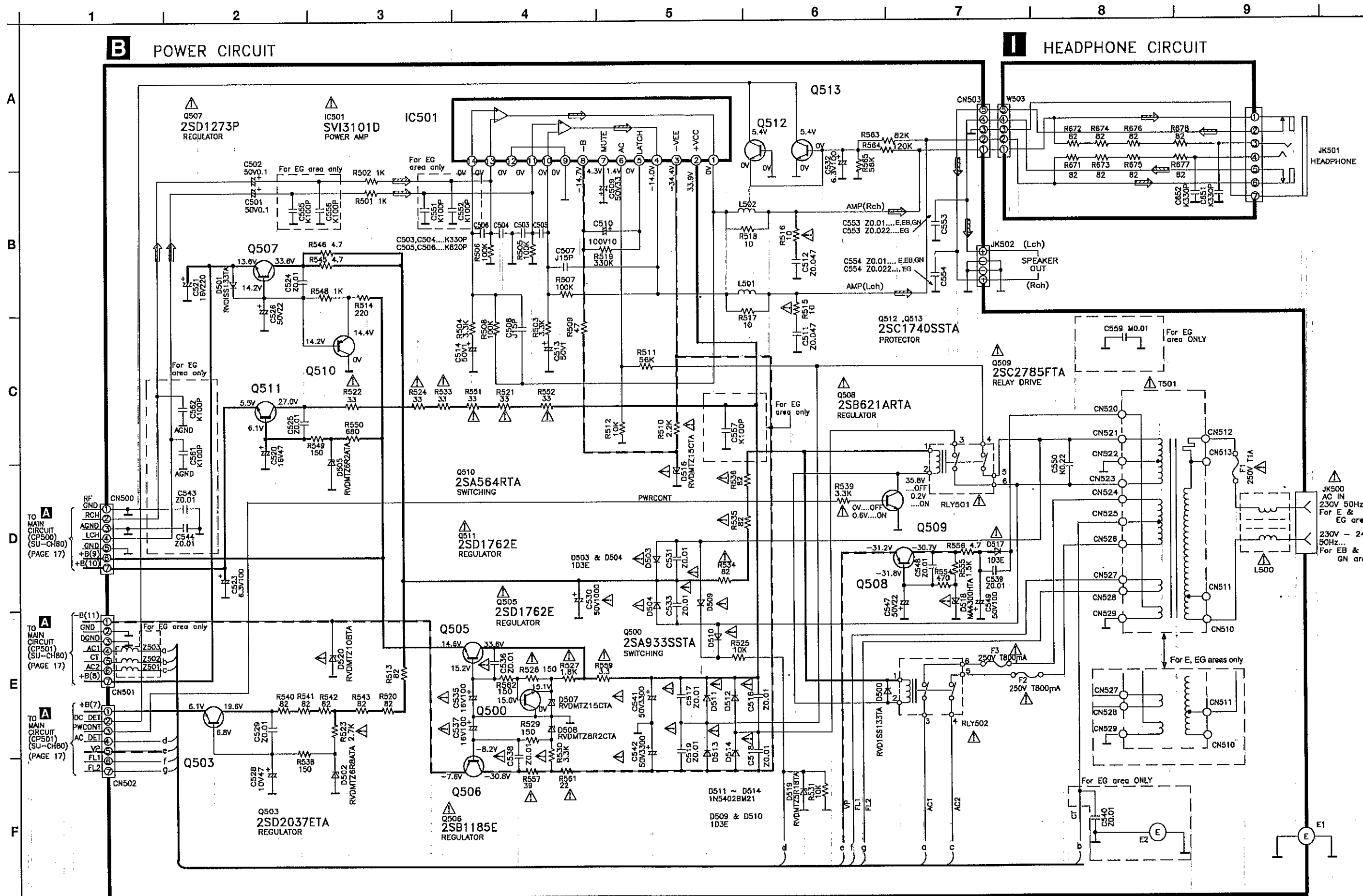
TO SPECTRUM ANALYSER CIRCUIT (W401) (PAGE 26) (SU-CH80)

TO POWER CIRCUIT (CN500) (PAGE 18) (SU-CH80)

TO POWER CIRCUIT (CN502) (PAGE 18) (SU-CH80)

TO POWER CIRCUIT (CN501) (PAGE 18) (SU-CH80)

**SCHEMATIC DIAGRAM**

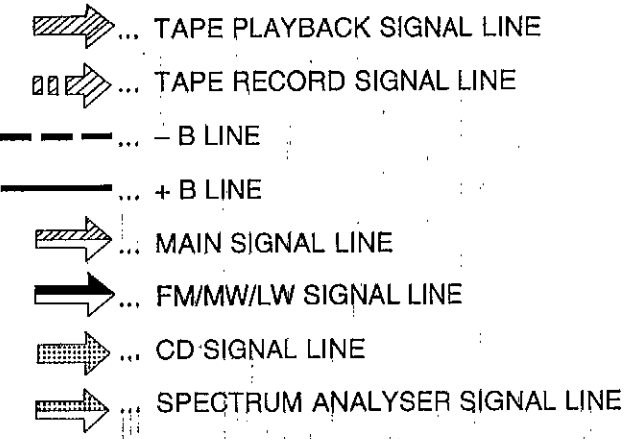


**NOTES:**

< For DECK CIRCUIT >

- S951 : Deck 1 mode detect switch.
- S952 : Deck 1 tape detect switch.
- S953 : Deck 1 CrO<sub>2</sub> tape detect switch.
- S971 : Deck 2 mode detect switch.
- S972 : Deck 2 tape detect switch.
- S973 : Deck 2 reverse-side record prevention detect switch.
- S974 : Deck 2 forward-side record prevention detect switch.
- S975 : Deck 2 CrO<sub>2</sub> tape detect switch.

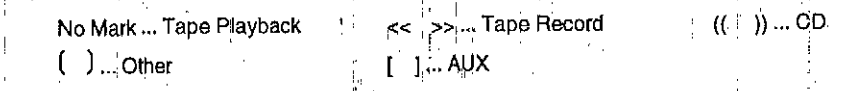
- VR101 : Deck 1 L-ch playback gain V.R.
- VR102 : Deck 1 R-ch playback gain V.R.
- VR103 : Deck 2 L-ch playback gain V.R.
- VR104 : Deck 2 R-ch playback gain V.R.
- VR201 : Deck 1 tape speed adjustment (Normal) V.R.
- VR202 : Deck 2 tape speed adjustment (Normal) V.R.
- VR203 : Deck 2 tape speed adjustment (High) V.R.



< GENERAL >

The voltage value and waveforms are the reference voltage of this unit measured by DC electronic voltmeter (high impedance) and oscilloscope on the basis of chassis. Accordingly, there may arise some error in voltage values and waveforms depending upon the internal impedance of the tester or the measuring unit.

< For Main, Power & Deck circuits >



**CAUTION!**

- IC and LSI are sensitive to static electricity. Secondary trouble can be prevented by taking care during repair.
- Cover the parts boxes made of plastics with aluminum foil.
- Ground the soldering iron.
- Put a conductive mat on the work table.
- Do not touch the pins of IC or LSI with fingers directly.

The supply parts number is described alone in the replacement parts list.

Ref No.	Production Parts No.	Supply Parts No.
IC601	M38173M6283	M38173M6272

Important safety notice : Components identified by  $\Delta$  mark have special characteristics important for safety. When replacing any of these components, use only manufacturer's specified parts.

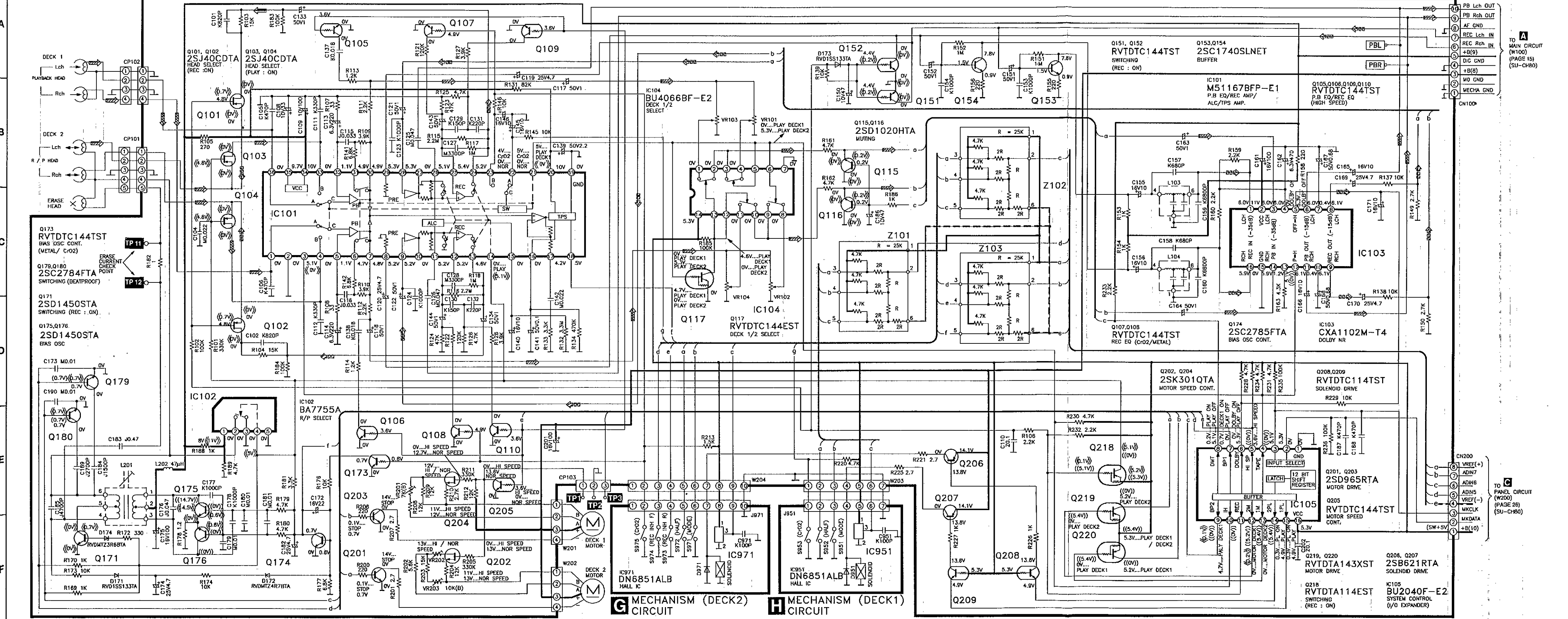
This schematic diagram may be modified at anytime with the development of new technology.



SCHEMATIC DIAGRAM

1 2 3 4 5 6 7 8 9 10 11 12 13 14

F DECK CIRCUIT



G MECHANISM (DECK2) CIRCUIT

H MECHANISM (DECK1) CIRCUIT

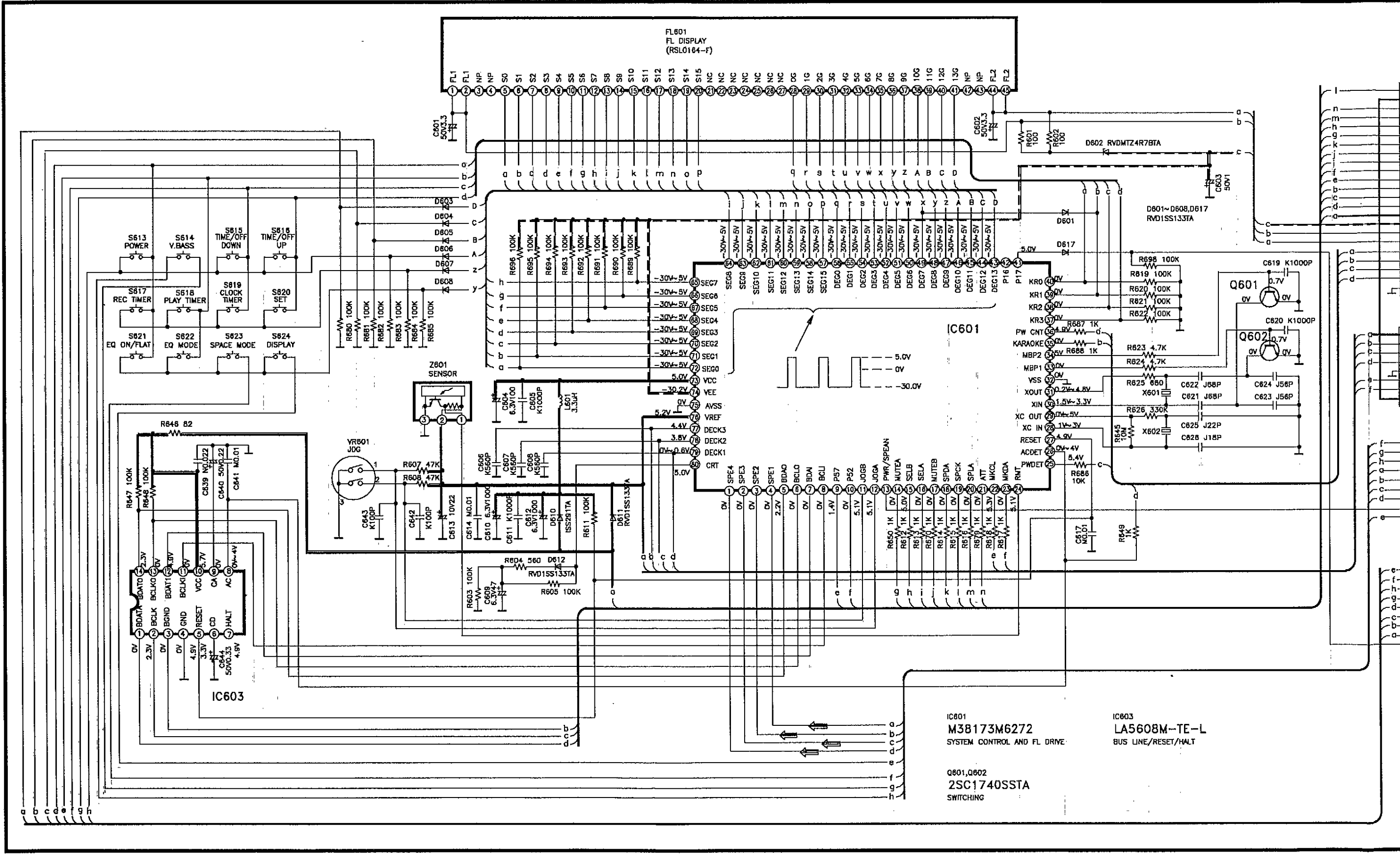
TO MAIN CIRCUIT (PAGE 15) (SU-CH80)

TO PANEL CIRCUIT (PAGE 26) (SU-CH80)

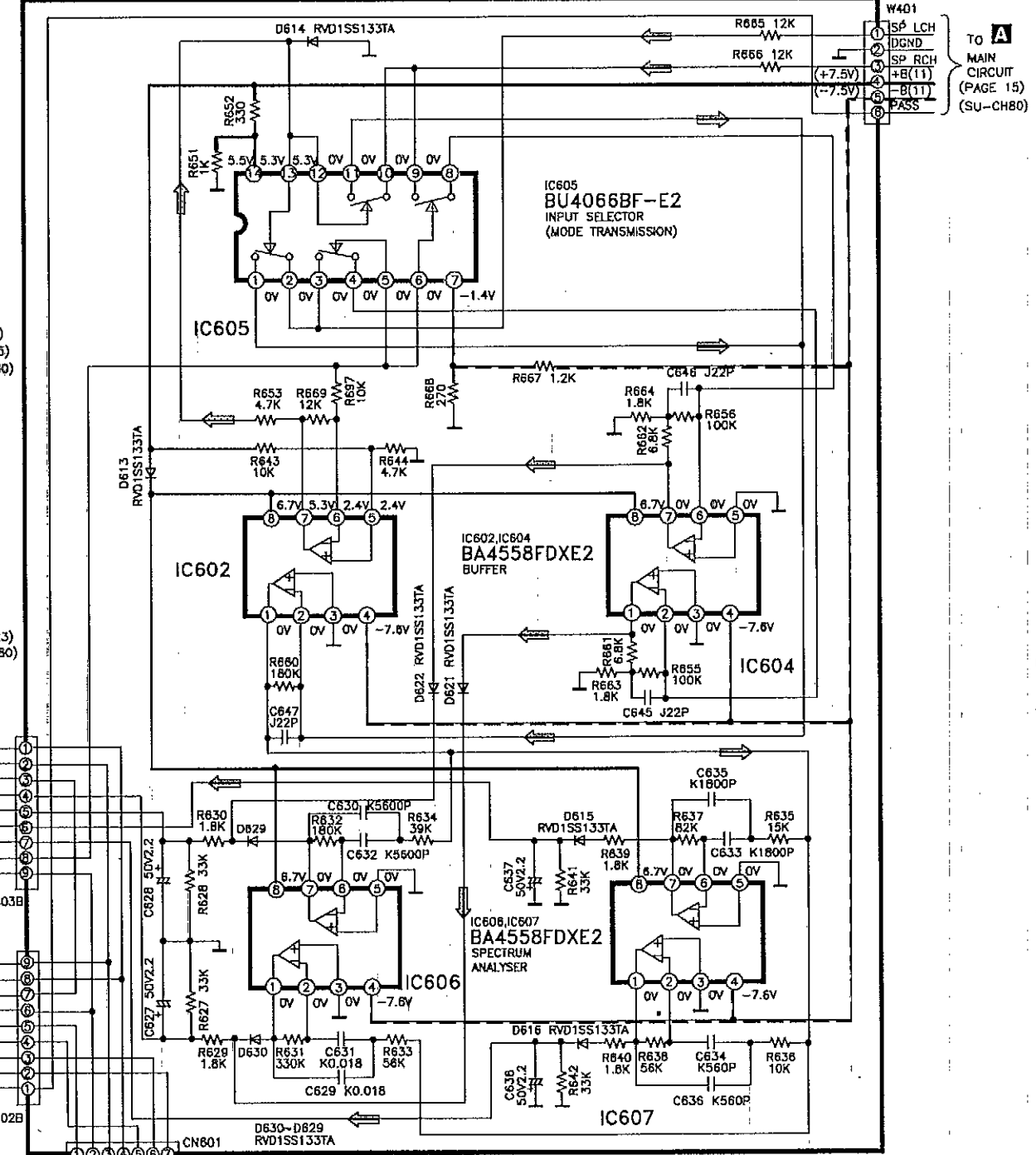
SCHEMATIC DIAGRAM

1 2 3 4 5 6 7 8 9 10 11 12 13 14 15

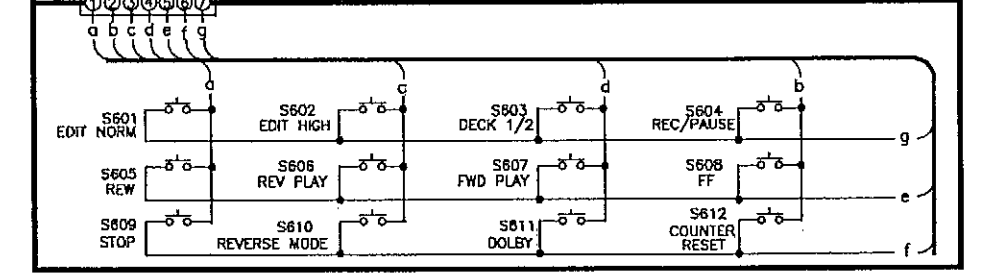
PANEL CIRCUIT



SPECTRUM ANALYSER CIRCUIT



OPERATION CIRCUIT



IC601  
M38173M6272  
SYSTEM CONTROL AND FL DRIVE

IC603  
LA5608M-TE-L  
BUS LINE/RESET/HALT

Q601, Q602  
2SC1740SSTA  
SWITCHING

To MAIN CIRCUIT (PAGE 15) (SU-CH80)

W401  
SP LCH  
DGND  
SP RCH  
+E(1)  
-E(1)  
PASS

NOTES:

< For PANEL CIRCUIT >

- S601 : Normal speed tape editing switch. (ONE TOUCH TAPE EDIT-NORMAL)
- S602 : High speed tape editing switch. (ONE TOUCH TAPE EDIT-HIGH)
- S603 : Deck select switch. (DECK 1/2)
- S604 : Record pause switch. (REC PAUSE)
- S605 : Rewind search switch. (◀ TPS)
- S606 : Reverse-side playback switch. (◀)
- S607 : Forward-side playback switch. (▶)
- S608 : Fast-forward search switch. (▶▶ TPS)
- S609 : Stop switch. (■)
- S610 : Reverse-mode select switch. (REVERSE MODE)
- S611 : Dolby noise-reduction switch. (DOLBY NR)
- S612 : Counter reset switch.
- S613 : Power standby/on switch. (POWER, STANDBY ⏻/ON)
- S614 : V. bass switch. (V BASS)
- S615 : Time/effect adjusting(down) switch. (TIME/EFFECT ▼)
- S616 : Time/effect adjusting(up) switch. (TIME/EFFECT ▲)
- S617 : Record timer switch. (REC TIMER)
- S618 : Play timer switch. (PLAY TIMER)
- S619 : Clock/timer select switch. (CLOCK/TIMER)
- S620 : Timer setting switch. (SET)
- S621 : EQ on/flatt select switch. (ON/FLAT)
- S622 : EQ mode select switch. (EQ MODE)
- S623 : Space mode select switch. (SPACE MODE)
- S624 : Display select switch. (DISPLAY, ■ SELECT, ■ MODE)

• VR601 Volume Control V.R.

< GENERAL >

• The voltage value and waveforms are the reference voltage of this unit measured by DC electronic voltmeter (high impedance) and oscilloscope on the basis of chassis. Accordingly, there may arise some error in voltage values and waveforms depending upon the internal impedance of the tester or the measuring unit.

< For Panel circuit >

No Mark ... Tape Playback

CAUTION !

- IC and LSI are sensitive to static electricity. Secondary trouble can be prevented by taking care during repair.
- Cover the parts boxes made of plastics with aluminum foil.
- Ground the soldering iron.
- Put a conductive mat on the work table.
- Do not touch the pins of IC or LSI with fingers directly.

• Important safety notice:

Components identified by ⚠ mark have special characteristics important for safety. When replacing any of these components, use only manufacturer's specified parts.

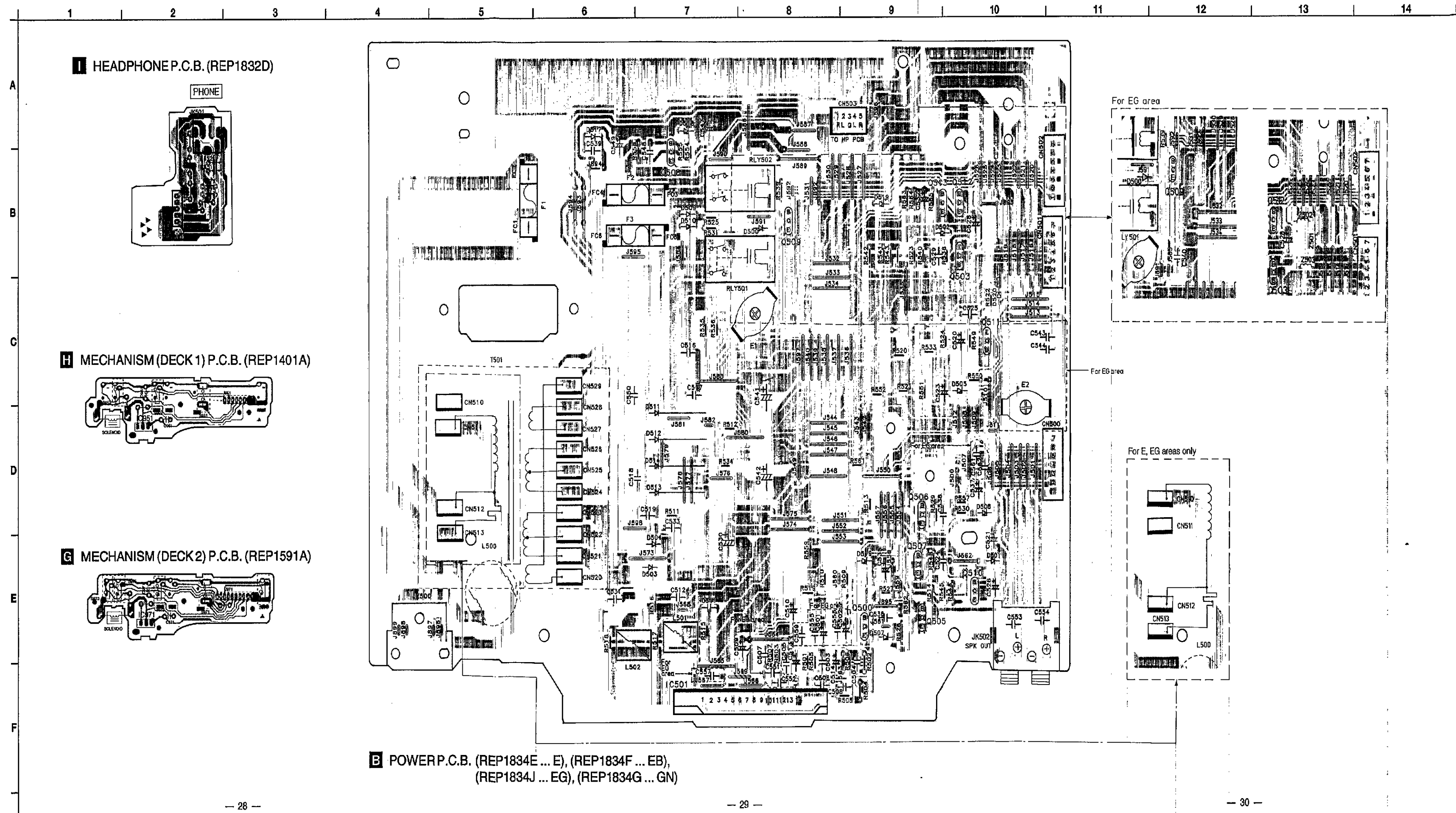
• This schematic diagram may be modified at anytime with the development of new technology.

➡ ... SPECTRUM ANALYSER SIGNAL LINE

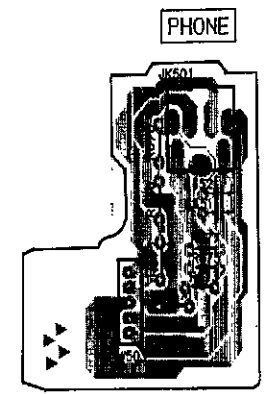
--- ... -B LINE

— ... +B LINE

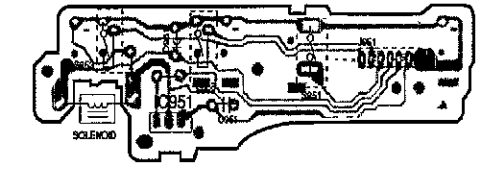
■ PRINTED CIRCUIT BOARD



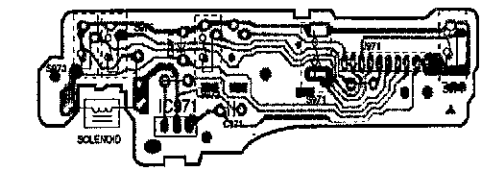
I HEADPHONE P.C.B. (REP1832D)



H MECHANISM (DECK 1) P.C.B. (REP1401A)

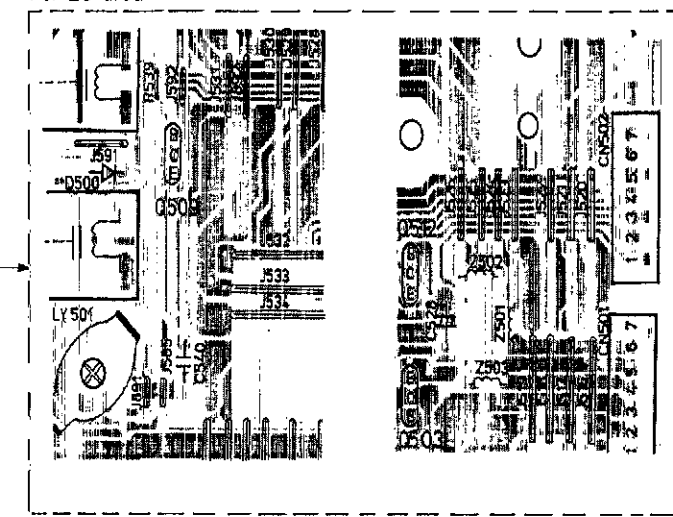


G MECHANISM (DECK 2) P.C.B. (REP1591A)



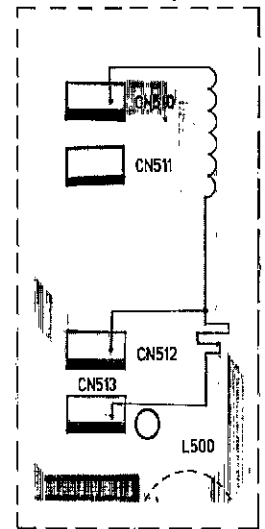
B POWER P.C.B. (REP1834E ... E), (REP1834F ... EB), (REP1834J ... EG), (REP1834G ... GN)

For EG area



For EG area

For E, EG areas only



PRINTED CIRCUIT BOARD

1 2 3 4 5 6 7 8 9 10 11 12 13 14 15 16 17 18 19

A

B

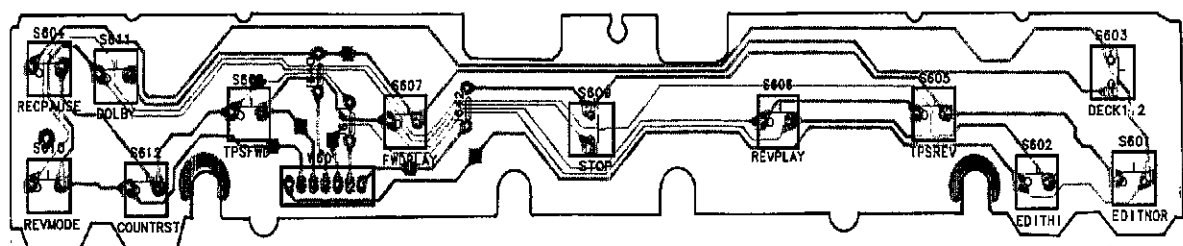
C

D

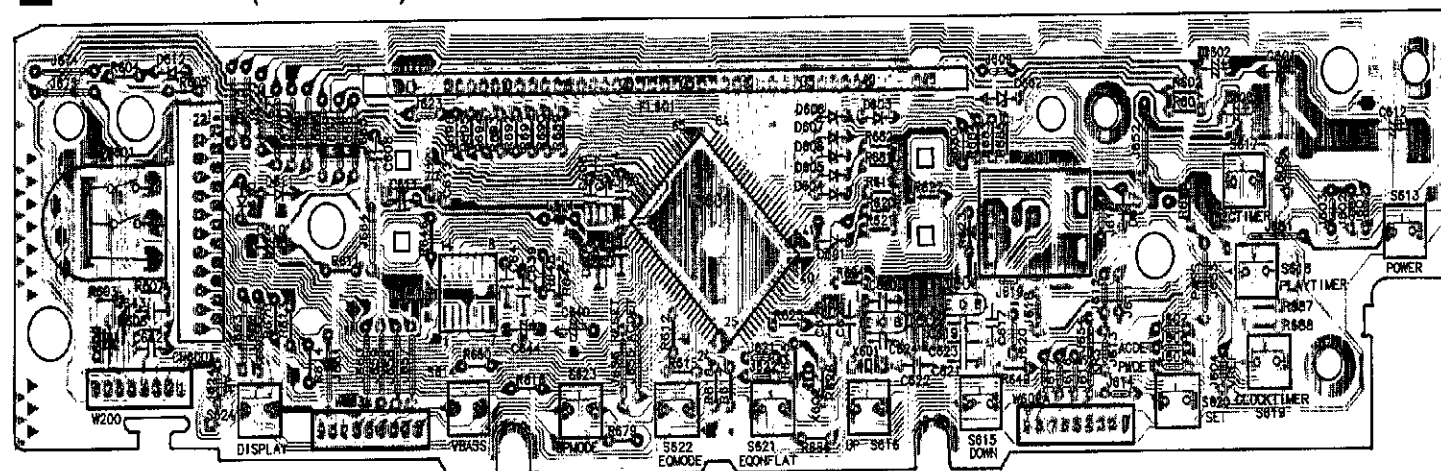
E

F

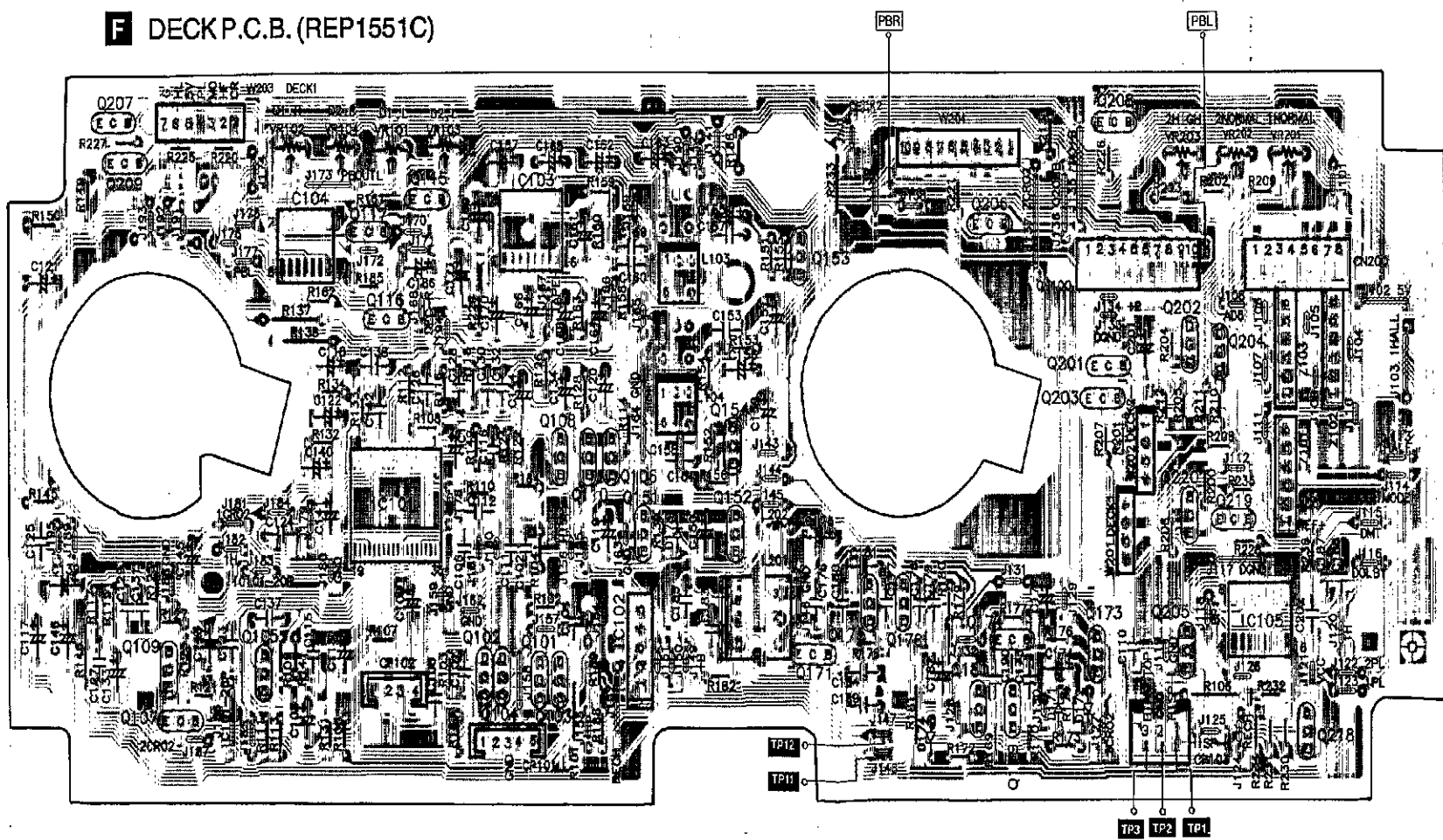
**E** OPERATION P.C.B. (REP1832D)



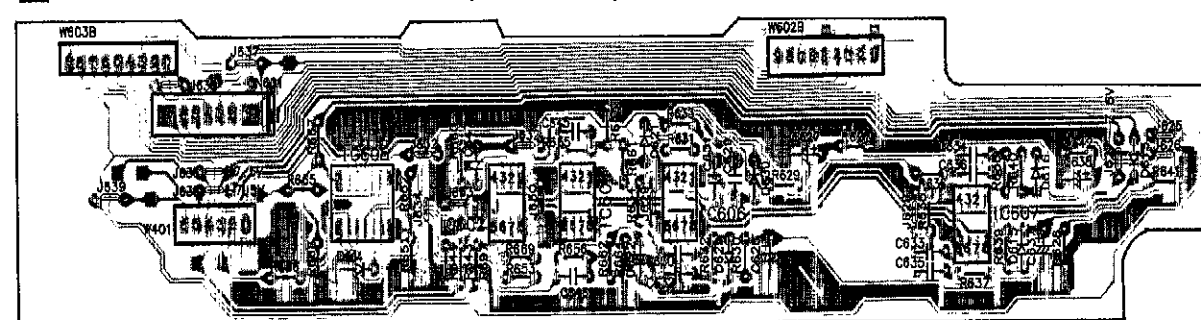
**C** PANEL P.C.B. (REP1832D)



**F** DECK P.C.B. (REP1551C)



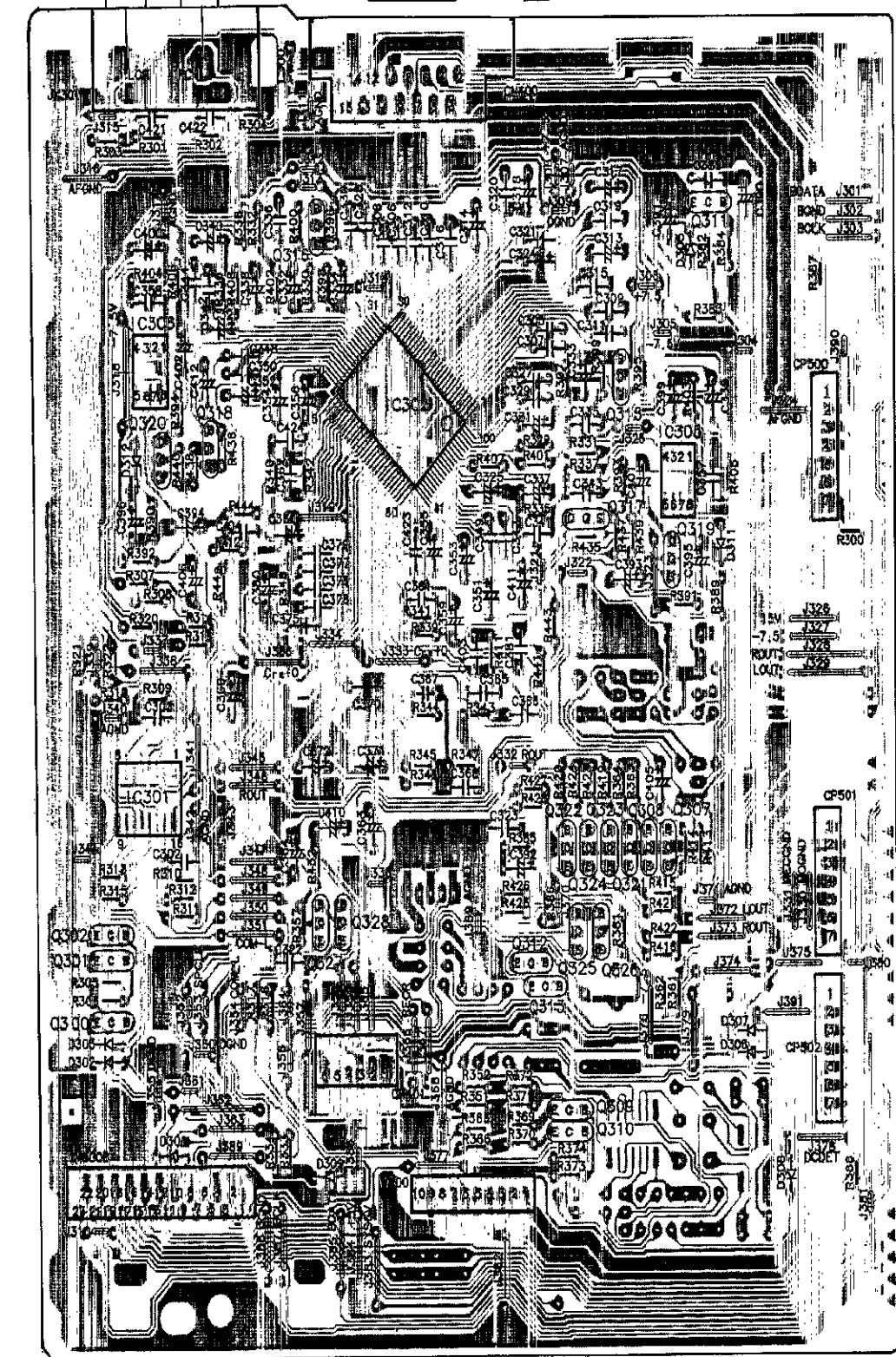
**D** SPECTRUM ANALYZER P.C.B. (REP1832D)



AUX IN

SL-CH80

**A** MAIN P.C.B. (REP1833A)



## ■ TERMINAL FUNCTION OF IC'S

### • IC601(M38173M6272)

Pin No.	Mark	I/O	Function
1	SPE4	I	Spectrum analyser control input
2	SPE3	I	Spectrum analyser control input
3	SPE2	I	Spectrum analyser control input
4	SPE1	I	Spectrum analyser control input
5	BDAO	O	Bus control data output
6	BCLO	O	Bus control clock output
7	BDAI	I	Bus control data input
8	BCLI	I	Bus control clock input
9	P57	O	ATT1 control signal
10	P52	O	ATT2 control signal
11	JOGB	I	JOG dial signal input
12	JOGA	I	JOG dial signal input
13	PWR/SPEAN	I	Power/spectrum analyser select signal input
14	MUTEA	O	AF muting signal output
15	SELB	O	Function select signal output
16	SELA	O	Function select signal output
17	MUTEB	O	Muting control output
18	SPDA	O	Signal processing data control output
19	SPCK	O	Signal processing clock signal output
20	SPLA	O	Signal processing latch signal output
21	ATT	O	Volume attenuator signal output
22	MKCL	O	Clock control for deck circuit
23	MKDA	O	Data output for deck circuit
24	RMT	I	Remote control pulse signal output
25	PWDET	I	Power on detection input
26	ACDET	I	Power down detection input
27	RESET	I	Microprocessor reset input
28	XC IN	I	Crystal oscillator input (32.768 kHz)

Pin No.	Mark	I/O	Function
29	XC OUT	O	Crystal oscillator output (32.768 kHz)
30	XIN	I	Ceramic oscillator input (4.19MHz)
31	XOUT	O	Ceramic oscillator output (4.19MHz)
32	VSS	—	GND
33	MBP1	O	Microprocessor beatproof 1 output
34	MBP2	O	Microprocessor beatproof 2 output
35	KARAOKE	—	GND
36	PW CNT	O	Power control signal output
37	KR3	I	Key return signal input
38	KR2	I	
39	KR1	I	
40	KR0	I	
41	P17	O	PASS control signal output
42	P16	—	Not used, open
43	DEG13	O	Digit drive signal for FL display
56	DEG0		
57	SEG15	O	Segment drive signal for FL display
72	SEG0		
73	VCC	—	+5V
74	VEE	—	-30V
75	AVSS	—	GND
76	VREF	O	Output reference voltage
77	DECK3	I/O	AD converter input (cass. mech sensor)
78	DECK2	I/O	
79	DECK1	I/O	
80	CRT	I/O	CR timer during backup

# MEASUREMENTS AND ADJUSTMENTS

## CASSETTE DECK SECTION

### Measurement Condition

- Reverse-mode selector switch :  $\zeta$
- One touch tape edit : NORMAL
- Rec timer : OFF
- Dolby NR : OFF
- Make sure heads, capstan and pressure roller are clean.
- Judgeable room temperature  $20 \pm 5^\circ\text{C}$  ( $68 \pm 9^\circ\text{F}$ )

### Measuring instrument

- EVM (Electronic Voltmeter)
- Digital frequency counter

### Test tape

- Head azimuth adjustment (8 kHz, -20dB); QZZCFM
- Tape speed adjustment (3 kHz, -10 dB); QZZCWAT
- Playback gain adjustment (315 Hz, 0 dB); QZZCFM
- Normal reference blank tape; QZZCRA

### HEAD AZIMUTH ADJUSTMENT (DECK 1/2)

#### Caution :

- Please replace both azimuth adjustment screws (RHE5152ZB) and springs (RMB0331) used for to new ones simultaneously when readjusting the head azimuth. (Shown in Fig. 2) Even if you wish to readjust the head azimuth without replacing the screws and springs, a fine adjustment cannot be done because of the screw-locking bond adhered to the azimuth screw and spring.
- Please remove the screw-locking bond left on the head base when replacing the azimuth screw.
- If you wish to readjust the head azimuth, be sure to adjust with adhering the cassette tape closely to the mechanism by pushing the center of cassette tape with your finger. (Shown in Fig.3)

- Playback the azimuth adjustment portion (8 kHz, -20dB) of the test tape (QZZCFM) in the forward play mode. Vary the azimuth adjusting screw until the output of the R-CH (PB OUT-R) are maximized.
- Perform the same adjustment in the reverse play mode.
- After the adjustment, apply screwlock to the azimuth adjusting screw.

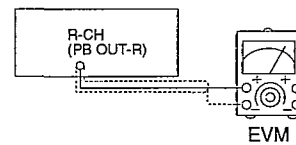


Fig. 1

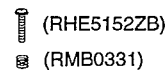


Fig. 2

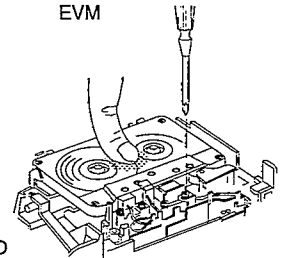


Fig. 3

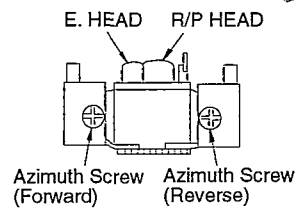


Fig. 4

### TAPE SPEED ADJUSTMENT (DECK1/2)

Normal speed (Standard value :  $3000 \pm 40$ )

- Set the One touch tape edit button to "NORMAL" position.
- Insert the test tape (QZZCWAT) to DECK 1 and playback (FWD side) the middle portion of it.
- Adjust VR201 (DECK1) for the output value shown below.

**Adjustment target : 2995 ~ 3025 Hz (NORMAL speed)**

- Set the One touch tape edit button to "HIGH" mode.
- Short-circuit between TP1 and TP2 . Playback (FWD side) the middle portion of test tape (QZZCWAT).
- Assure so that the output from DECK 1 is within the standard value.

**Standard value :  $5100 \pm 210$  Hz (HIGH speed)**

- Insert the test tape (QZZCWAT) to DECK 2 and playback (FWD side) the middle portion of it.
- Adjust VR203 so that the output frequency of DECK 2 is within  $\pm 40$  Hz of the value of the output frequency of DECK 1.
- Disconnect the TP1 and TP2 . Set the One touch tape edit button to "NORMAL" mode and playback the test tape (QZZCWAT).
- Adjust VR202 (DECK 2) for the output value shown below.

**Adjustment target : 2995 ~ 3025 Hz (NORMAL speed)**

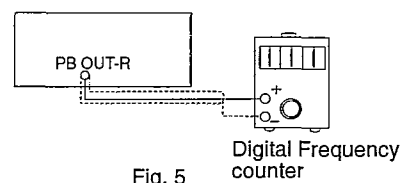


Fig. 5

**• PLAYBACK GAIN ADJUSTMENT (DECK 1/2)**

1. Playback the gain adjusted portion (315Hz, 0dB) of the test tape (QZZCFM).
2. Adjust **VR103** for DECK 2 L-CH (**VR104** for R-CH) and **VR101** for DECK 1 L-CH (**VR102** for R-CH) so that the output is within the standard value.

**Standard value : 276 ± 30 mV**

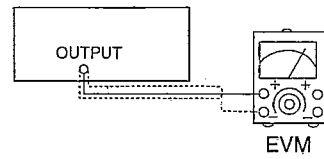


Fig. 6

OUTPUT	ALIGNMENT PARTS	FUNCTION
PB OUT-L	VR103	DECK 2 L-CH
PB OUT-R	VR104	DECK 2 R-CH
PB OUT-L	VR101	DECK 1 L-CH
PB OUT-R	VR102	DECK 1 R-CH

**• BIAS FREQUENCY ADJUSTMENT (DECK 2)**

1. Set the unit to "AUX" position.
2. Insert the Normal blank test tape (QZZCRA) into DECK 2 and set the unit to "RECORD" mode (use "REC PAUSE" key).
3. Adjust **L201** so that the output frequency is within the standard value.

**Standard value : 98 ± 8 kHz**

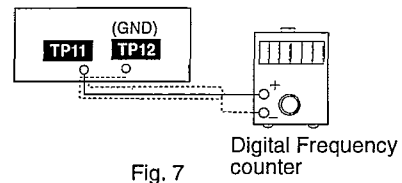
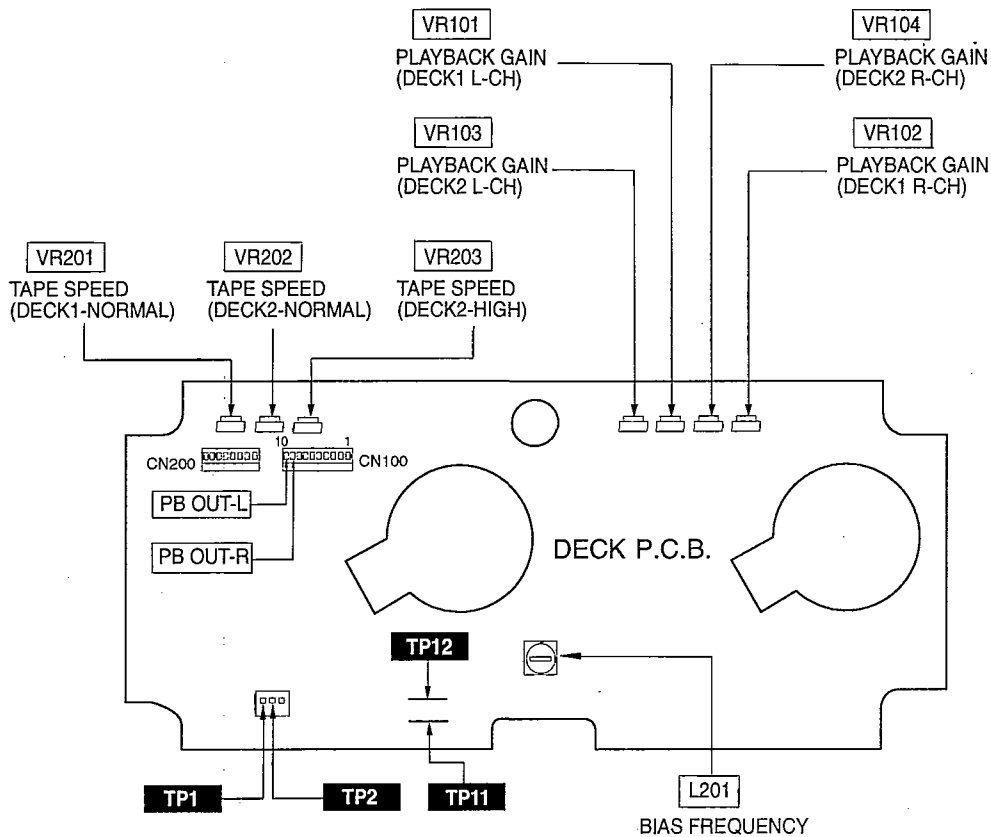


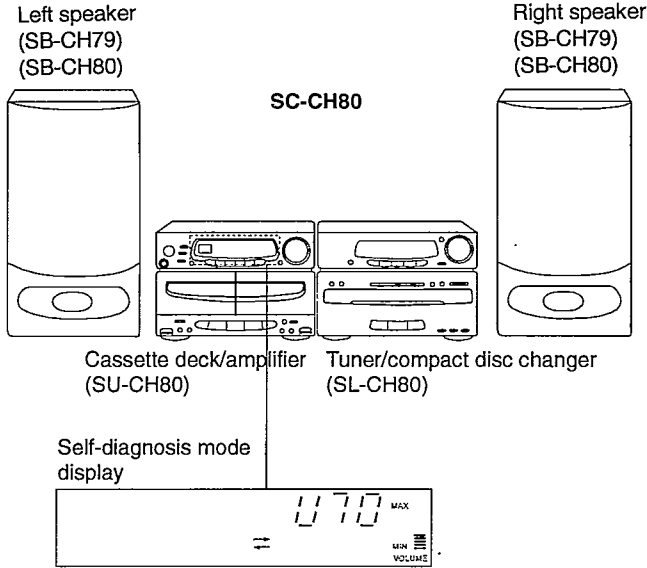
Fig. 7

**■ ALIGNMENT POINTS**



## ■ SELF-DIAGNOSIS MODE

This unit has a self-diagnosis function that indicates when any faulty operation has taken place.

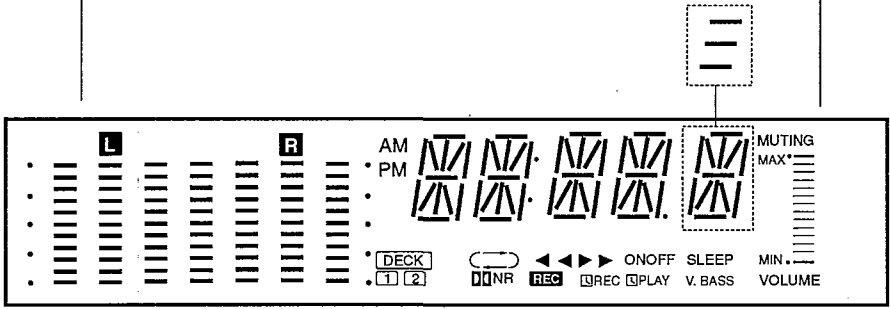
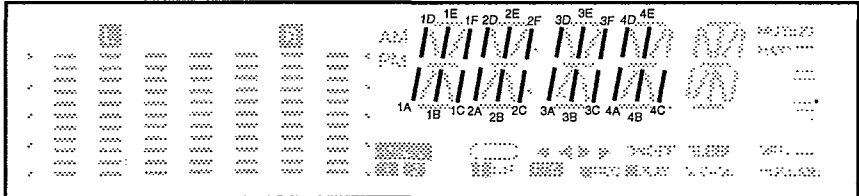
Display function	Display location
<p><b>In self-diagnosis mode</b></p> <p>"F65" appears on the FL display for 3 seconds, then the operating power is switched off automatically and the clock appears on the display. If the power is switched on again, "F65" appears for further 3 seconds.</p> <p>"U70" appears on the FL display and it will remain on the display until remedy action has been taken.</p>	 <p>Left speaker (SB-CH79) (SB-CH80)</p> <p>Right speaker (SB-CH79) (SB-CH80)</p> <p>SC-CH80</p> <p>Cassette deck/amplifier (SU-CH80)</p> <p>Tuner/compact disc changer (SL-CH80)</p> <p>Self-diagnosis mode display</p>

## ■ DISPLAY CONTENTS

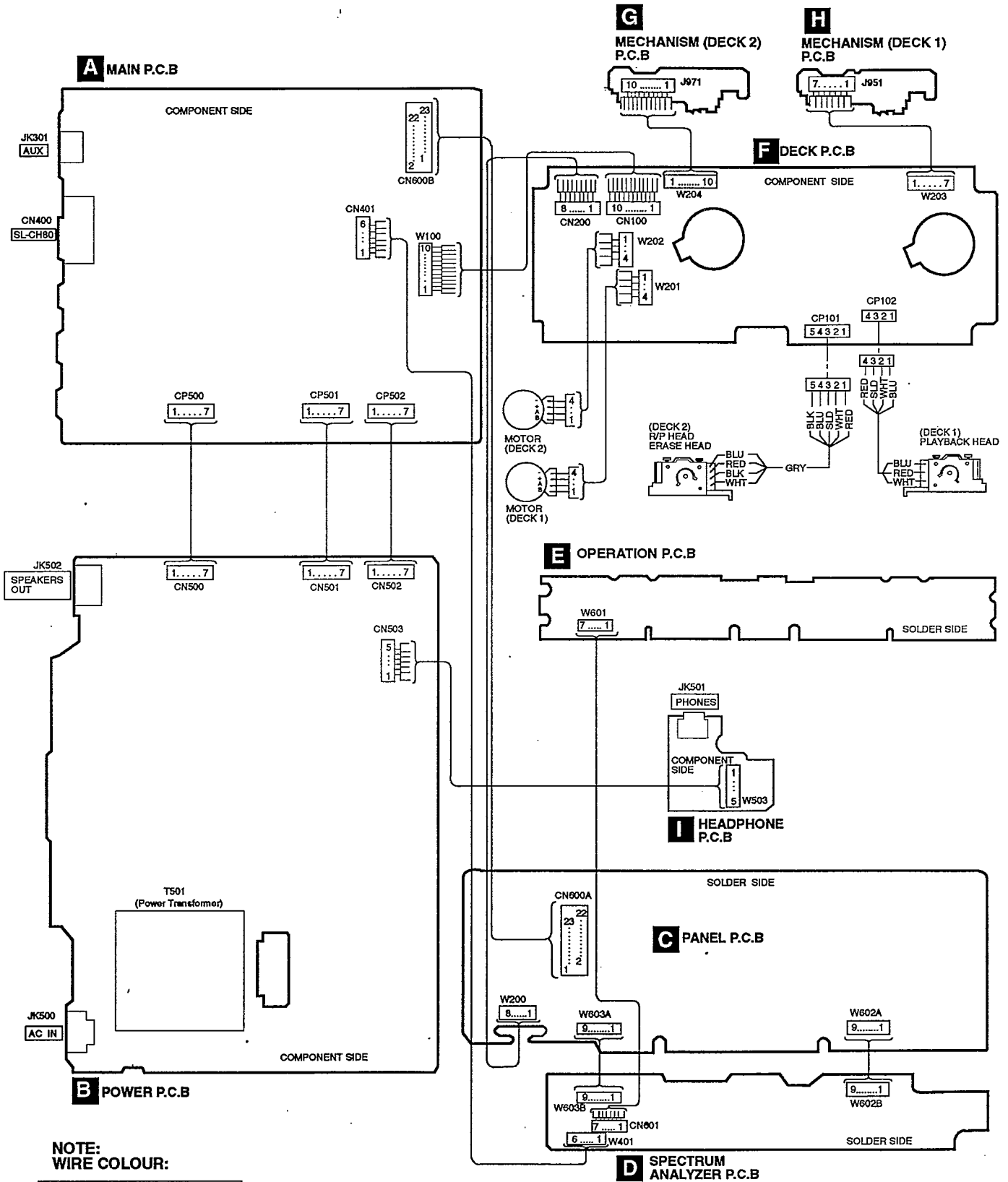
Indication	Problem	Remedy
F65	If you attempt to switch on the power, it switches off again automatically. It is impossible to operate the unit. A defective speaker output chip is producing a DC voltage at one of the speaker terminals.	Check each speaker output chip and replace it if necessary
U70	If you switch on the power, "U70" appears on the display. It is still possible to operate the unit but "U70" will remain on the display until remedy action has been taken. Not connection between the SU-CH80 and SL-CH80 units with Bus cable (REX0581).	Check connection between the SU-CH80 and SL-CH80 units. If not connected, switch off the power, use a bus cable (REX0581) to connect it back and switch on the power again.



# GENERAL INSPECTION

FUNCTION	CHECKING	REMARKS																																																				
<p>1. To enter TEST MODE.</p>	<ul style="list-style-type: none"> <li>Press the "■" (TAPE STOP) key on the SU-CH80 unit, then simultaneously press the (4) key followed by (7) key on the Remote Control Unit.</li> </ul> 	<ul style="list-style-type: none"> <li>The first segment "≡" from the right side of FL display will be displayed when TEST MODE is entered.</li> </ul>																																																				
<p>2. To check for all connection and FL Display connection.</p>	<ul style="list-style-type: none"> <li>Press the "7" key on the Remote Control Transmitter.</li> <li>Press every key on the SU-CH80 unit one by one.</li> <li>After all keys(23 keys) have been pressed, all segments of FL display will light up.</li> <li>The chart below summarizes the Display segment corresponding to each key pressed.</li> </ul> <table border="1" data-bbox="359 958 1244 1489"> <thead> <tr> <th>Segment Light Up</th> <th>Key Pressed (From SU-CH80 unit)</th> <th>Segment Light Up</th> <th>Key Pressed (From SU-CH80 unit)</th> </tr> </thead> <tbody> <tr><td>1A</td><td>DECK1/2</td><td>1D</td><td>REC TIMER</td></tr> <tr><td>1B</td><td>ONE TOUCH TAPE EDIT(NORMAL)</td><td>1E</td><td>PLAY TIMER</td></tr> <tr><td>1C</td><td>ONE TOUCH TAPE EDIT(HIGH)</td><td>1F</td><td>CLOCK/TIMER</td></tr> <tr><td>2A</td><td>◀◀ (TPS)</td><td>2D</td><td>SET</td></tr> <tr><td>2B</td><td>◀</td><td>2E</td><td>TIME/EFFECT ▼</td></tr> <tr><td>2C</td><td>□</td><td>2F</td><td>TIME/EFFECT ▲</td></tr> <tr><td>3A</td><td>▶</td><td>3D</td><td>ON/FLAT</td></tr> <tr><td>3B</td><td>▶▶ (TPS)</td><td>3E</td><td>EQ MODE</td></tr> <tr><td>3C</td><td>DOLBY NR</td><td>3F</td><td>SPACE MODE</td></tr> <tr><td>4A</td><td>REC PAUSE</td><td>4D</td><td>V BASS</td></tr> <tr><td>4B</td><td>COUNTER RESET</td><td>4E</td><td>DISPLAY</td></tr> <tr><td>4C</td><td>REVERSE MODE</td><td></td><td></td></tr> </tbody> </table> 	Segment Light Up	Key Pressed (From SU-CH80 unit)	Segment Light Up	Key Pressed (From SU-CH80 unit)	1A	DECK1/2	1D	REC TIMER	1B	ONE TOUCH TAPE EDIT(NORMAL)	1E	PLAY TIMER	1C	ONE TOUCH TAPE EDIT(HIGH)	1F	CLOCK/TIMER	2A	◀◀ (TPS)	2D	SET	2B	◀	2E	TIME/EFFECT ▼	2C	□	2F	TIME/EFFECT ▲	3A	▶	3D	ON/FLAT	3B	▶▶ (TPS)	3E	EQ MODE	3C	DOLBY NR	3F	SPACE MODE	4A	REC PAUSE	4D	V BASS	4B	COUNTER RESET	4E	DISPLAY	4C	REVERSE MODE			<ul style="list-style-type: none"> <li>FL Display will black out.</li> <li>FL Display will have its segment lighted up one by one.</li> </ul>
Segment Light Up	Key Pressed (From SU-CH80 unit)	Segment Light Up	Key Pressed (From SU-CH80 unit)																																																			
1A	DECK1/2	1D	REC TIMER																																																			
1B	ONE TOUCH TAPE EDIT(NORMAL)	1E	PLAY TIMER																																																			
1C	ONE TOUCH TAPE EDIT(HIGH)	1F	CLOCK/TIMER																																																			
2A	◀◀ (TPS)	2D	SET																																																			
2B	◀	2E	TIME/EFFECT ▼																																																			
2C	□	2F	TIME/EFFECT ▲																																																			
3A	▶	3D	ON/FLAT																																																			
3B	▶▶ (TPS)	3E	EQ MODE																																																			
3C	DOLBY NR	3F	SPACE MODE																																																			
4A	REC PAUSE	4D	V BASS																																																			
4B	COUNTER RESET	4E	DISPLAY																																																			
4C	REVERSE MODE																																																					
<p>4. To exit from TEST MODE.</p>	<ul style="list-style-type: none"> <li>Press the Power key on the SU-CH80 unit, or press "■" (CD STOP) on the remote control transmitter, or pull out the Power Supply Plug.</li> <li>Pull out the Power Supply Plug to set the "COLD START" from the above TEST MODE. (The memory will be set to the initial condition on the next AC power on.)</li> </ul>																																																					

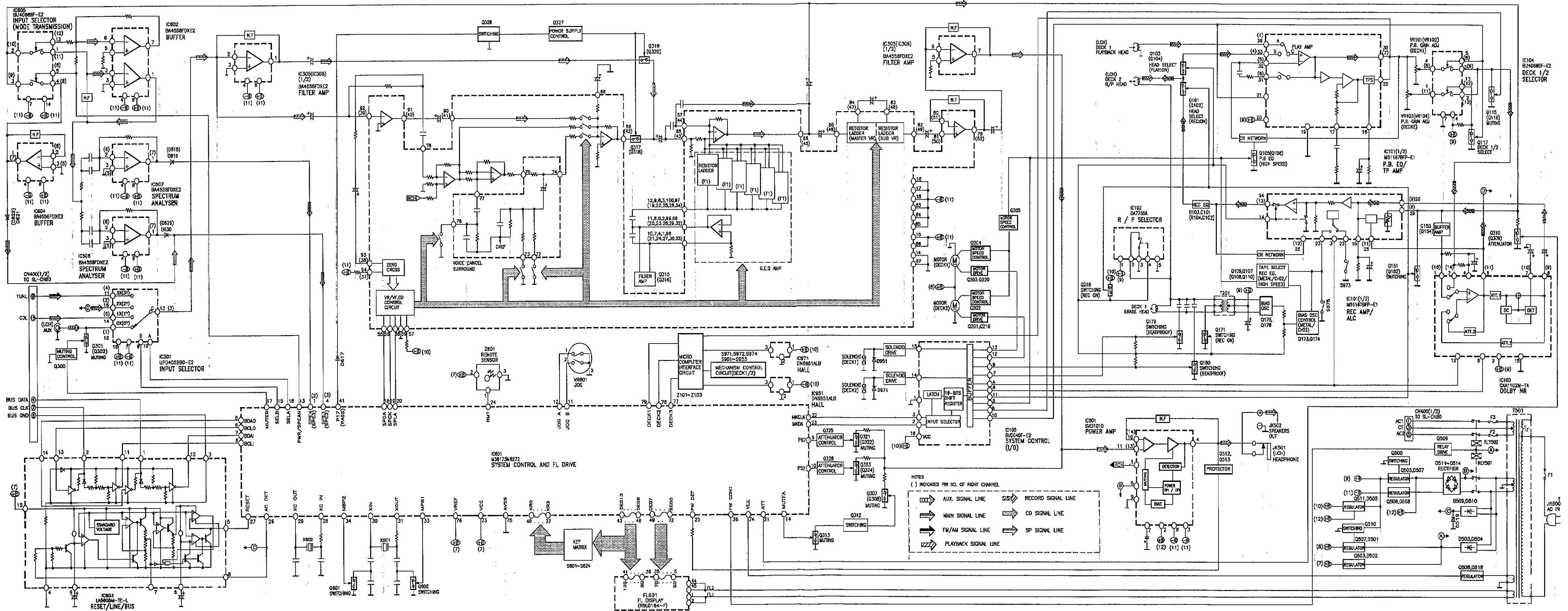
# WIRING CONNECTION DIAGRAM



NOTE:  
WIRE COLOUR:

- BLK .....Black
- BLU .....Blue
- GRY .....Gray
- RED .....Red
- SLD .....Shield Wire
- WHT .....White

■ BLOCK DIAGRAM



Long scan

Long scan

Long scan

Long scan

**MECHANISM PARTS LIST**

NOTES : [M] indicates in the Remarks columns indicates parts supplied by MESA.

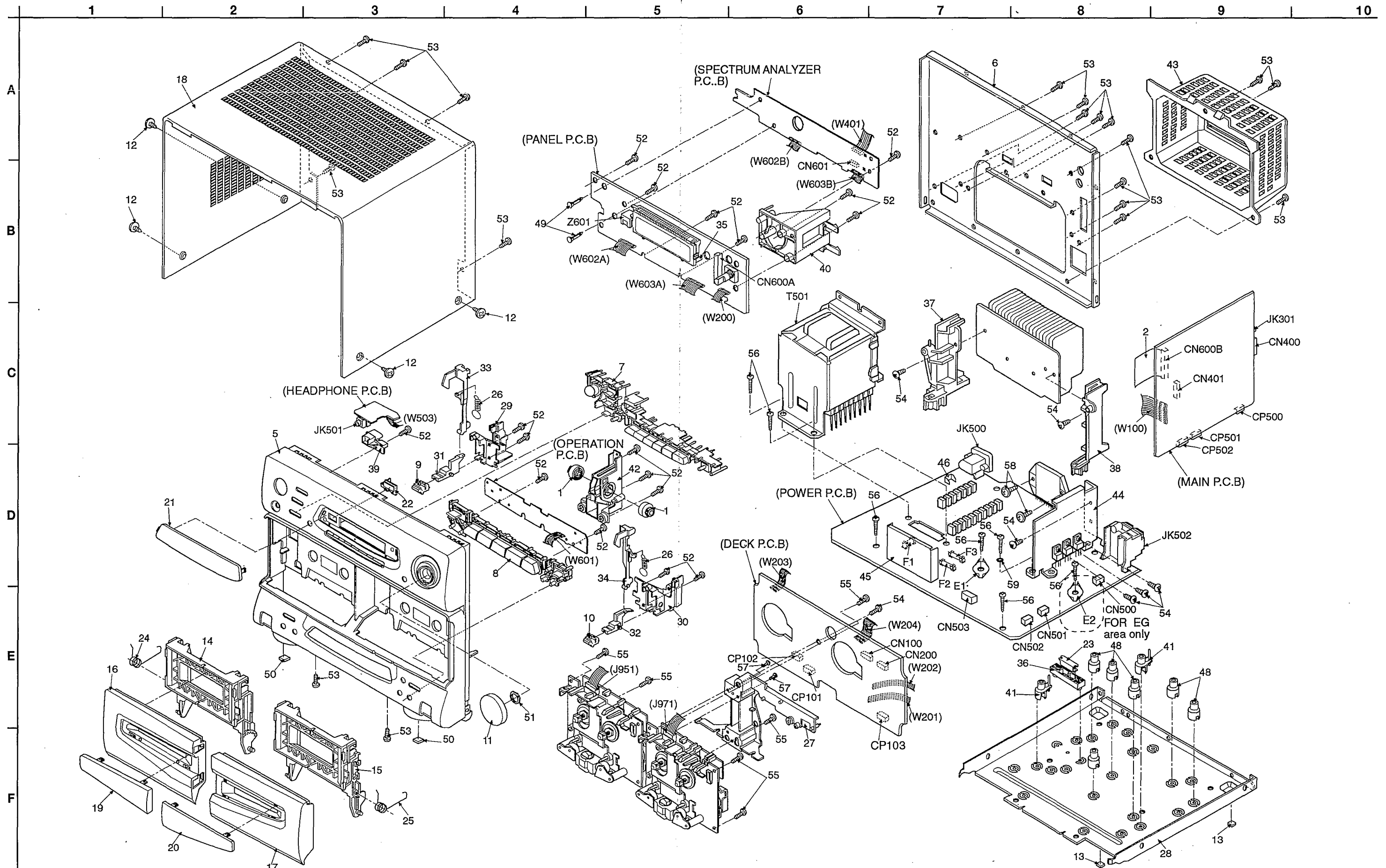
RefNo.	Part No.	Part Name & Description	Remarks
		CASSETTE MECHANISM	
		(DECK 1)	
101	RXQ0292	HEAD BLOCK ASS'Y	
102	RUA793ZF	CHASSIS	
103	RZLAR300A	LEVER ASS'Y	
103A	RUW143ZA	SPRING	
104	IUB0089Z	ARM	
104A	RUW148ZA	SPRING	
105	IDM0018ZB	REEL TABLE ASS'Y	
106	IDM0017ZB	REEL TABLE ASS'Y	
107	RML0069-1	LEVER	
108	RDG5772ZC	GEAR	
109	RUB508ZB	LEVER	
110	RUB506ZB	LEVER	
111	IUB0088ZB	PINCH ROLLER	
111A	RUW141ZA	SPRING	
112	IUB0087ZB	PINCH ROLLER	
112A	RUW140ZB	SPRING	
114	RNL1ZD	ARM	
115	RUB503ZD	LEVER	
116	RZUAR300A	CHASSIS ASS'Y	
117	RUW142ZA	SPRING	
118	RUD105ZA	SPRING	
120	RUW139ZA	SPRING	
121	RFM133ZA	MOTOR ASS'Y	
122	IUE0015ZB	PLUNGER	
123	RUB428ZE	SHAFT	
124	RUL1030YA	PLATE	
125	RMD5014ZC	SPACER	
126	RDG5927ZG	GEAR	
127	IDW0037ZB	FLYWHEEL ASS'Y	
127A	RNW139ZA	WASHER	
128	IDW0038ZB	FLYWHEEL ASS'Y	
128A	RNW138ZA	WASHER	
129	IDG0006ZB	GEAR ASS'Y	
130	RUB513ZD	ARM	
131	IUB0091Z	LEVER	
131A	RUW146ZA	SPRING	
132	IDR0011ZB	PULLEY ASS'Y	
133	RDV90ZB	BELT	
134	RDG5769ZA	GEAR	
135	RUQ111ZB	SPRING	
136	RUW145ZA	SPRING	
137	IUB0090ZA	ROD	
137A	RUB512ZB	ROD	

RefNo.	Part No.	Part Name & Description	Remarks
138	RDG5773ZB	GEAR	
139	RUQ112ZA	SPRING	
140	RUS609ZC	SPRING	
141	RUB514ZC	LEVER	
142	RUW147ZA	SPRING	
143	RUB515ZA	LEVER	
144	RUB509ZA	LEVER	
145	RDV108ZA	BELT	
148	RUW144ZA	SPRING	
149	RHG3032ZA	RUBBER	
150	RNL180ZB	LEVER	
151	REX0450	LEAD WIRE BLOCK (4P)	[M]
161	XTW2+6L	SCREW	
163	XTN26+7J	SCREW	
164	RHE5203ZA	SCREW	
165	XTW2+8S	SCREW	
166	XYC2+JF16	SCREW	
167	RHD26002	SCREW	
168	RJS7T7ZA	CONNECTOR	

RefNo.	Part No.	Part Name & Description	Remarks
		(DECK 2)	
201	RXQ0291	HEAD BLOCK ASS'Y	
202	RUA793ZF	CHASSIS	
203	RZLAR300A	LEVER ASS'Y	
203A	RUW143ZA	SPRING	
204	IUB0089ZA	ARM	
204A	RUW148ZA	SPRING	
205	IDM0018ZB	REEL TABLE ASS'Y	
206	IDM0017ZB	REEL TABLE ASS'Y	
207	RML0069-1	LEVER	
208	RDG5772ZC	GEAR	
209	RUB508ZB	LEVER	
210	RUB506ZB	LEVER	
211	IUB0088ZB	PINCH ROLLER	
211A	RUW141ZA	SPRING	
212	IUB0087ZB	PINCH ROLLER	
212A	RUW140ZB	SPRING	
214	RNL1ZD	ARM	
215	RUB503ZD	LEVER	
216	RZUAR300A	CHASSIS ASS'Y	
217	RUW142ZA	SPRING	
218	RUD105ZA	SPRING	
219	RUW144ZA	SPRING	
220	RUW139ZA	SPRING	
221	RFM133ZA	MOTOR ASS'Y	
222	IUE0015ZB	PLUNGER	
223	RUB428ZE	SHAFT	
224	RUL1030YA	PLATE	
225	RMD5014ZC	SPACER	
226	RDG5927ZG	GEAR	
227	IDW0037ZB	FLYWHEEL ASS'Y	
227A	RNW139ZA	WASHER	
228	IDW0038ZB	FLYWHEEL ASS'Y	
228A	RNW138ZA	WASHER	
229	IDG0006ZB	GEAR ASS'Y	
230	RUB513ZD	LEVER	
231	IUB0091Z	LEVER	
231A	RUW146ZA	SPRING	
232	IDR0011ZB	PULLEY ASS'Y	
233	RDV90ZB	BELT	
234	RDG5769ZA	GEAR	
235	RUQ111ZB	SPRING	
236	RUW145ZA	SPRING	
237	IUB0090ZA	ROD	
237A	RUB512ZB	ROD	

RefNo.	Part No.	Part Name & Description	Remarks
238	RDG5773ZA	GEAR	
239	RUQ112ZA	SPRING	
240	RUS609ZC	SPRING	
241	RUB514ZC	LEVER	
242	RUW147ZA	SPRING	
243	RUB515ZA	LEVER	
244	RUB509ZA	LEVER	
245	RDV108ZA	BELT	
249	RHG3032ZA	RUBBER	
250	RNL180ZB	LEVER	
251	REX0305	LEAD WIRE BLOCK (5P)	[M]
261	XTW2+6L	SCREW	
263	XTN26+7J	SCREW	
264	RHE5203ZA	SCREW	
265	XTW2+8S	SCREW	
266	XYC2+JF16	SCREW	
267	RHD26002	SCREW	
268	RJS10T7ZA	SOCKET (J971)	

■ CABINET PARTS LOCATION



# REPLACEMENT PARTS LIST

**Notes: \* Important safety notice:**

 Components identified by  $\Delta$  mark have special characteristics important for safety.

Furthermore, special parts which have purposes of fire-retardant (resistors), high-quality sound (capacitors), low noise (resistors), etc are used.

When replacing any of these components, be sure to use only manufacturer's specified parts shown in the parts list.

\* The parenthesized indications in the Remarks columns specify the areas. (Refer to the cover page for area)

Parts without these indications can be used for all areas.

\* [M] Indicates in the Remarks columns indicates parts supplied by MESA.

Ref No.	Part No.	Part Name & Description	Remarks
		<b>CABINET AND CHASSIS</b>	
1	RDG0129	DAMPER GEAR	[M]
2	REE0546	FFC (PANEL-MAIN)	[M]
5	RFKGUCH80PK	FRONT PANEL ASS'Y	[M]
6	RGR0182A-G	REAR PANEL	[M] (E)
6	RGR0182A-H	REAR PANEL	[M] (EB, GN)
6	RGR0182A-J	REAR PANEL	[M] (EG)
7	RGU1005-K	GEQ BUTTON	[M]
8	RGU1006-K	CASSETTE BUTTON	[M]
9	RGU1007-K	EJECT KNOB (L)	[M]
10	RGU1008-K	EJECT KNOB (R)	[M]
11	RGW0194-K	VOL KNOB	[M]
12	RHD30007	SCREW	
13	RKA0059-K	LEG RUBBER	[M]
14	RFKLACH455P3	CASS HOLDER ASS'Y L	[M]
15	RFKLACH455P4	CASS HOLDER ASS'Y R	[M]
16	RKF0355-K	CASSETTE LID (L)	[M]
17	RKF0356-K	CASSETTE LID (R)	[M]
18	RKM0247Z-K	CABINET	[M]
19	RKW0321-Q	CASSETTE WINDOW (L)	[M]
20	RKW0322-Q	CASSETTE WINDOW (R)	[M]
21	RKW0323-Q	FL WINDOW	[M]
22	RKW0324-Q	SENSOR FILTER	[M]
23	RMA0678	TRANS SUPPORT ANGLE	[M]
24	RMB0293	OPEN SPRING (L)	[M]
25	RMB0294	OPEN SPRING (R)	[M]
26	RMB0295	EJECT SPRING	[M]
27	RMK0059-1E	CASSETTE PCB SUPPORT	[M]
28	RMK0199	BOTTOM CHASSIS	[M]
29	RML0301	EJECT LEVER STAND L	[M]
30	RML0302	EJECT LEVER STAND R	[M]
31	RML0303	EJECT LEVER (L)	[M]
32	RML0304	EJECT LEVER (R)	[M]
33	RMM0102	EJECT ROD (L)	[M]
34	RMM0103	EJECT ROD (R)	[M]
35	RMN0253	FL HOLDER	[M]
36	RMR0651-K	TRANS SUPPORT	[M]
37	RMR0653-K	HEAT SINK SUPPORT L	[M]
38	RMR0654-K	HEAT SINK SUPPORT R	[M]

Ref No.	Part No.	Part Name & Description	Remarks
39	RMR0730-X	HP JACK HOLDER	[M]
40	RMR0731-X	MAIN PCB SUPPORT	[M]
41	RMR0741-X	PCB SUPPORT (PIN)	[M]
42	RMS0401	DAMPER GEAR HOLDER	[M]
43	RMV0058	HEAT SINK COVER	[M]
44	RMY0116	SUB HEAT SINK	[M]
45	RSC0311	SHIELD PLATE	[M]
46	RSC0332	PROTECTION PLATE	[M]
48	SHE187-3	PCB SUPPORT	
49	SHR8005	PCB SUPPORT	
50	SHS3276	LEG FELT	[M]
51	XNS9D	NUT	
52	XTBS26+10J	SCREW	
53	XTBS3+8JFZ1	SCREW	
54	XTB3+12CFN	SCREW	
55	XTB3+12JFR	SCREW	
56	XTB3+20J	SCREW	
57	XTV26+6F	SCREW	
58	XTW3+15T	SCREW	
59	XWA3B	SPRING WASHER	
		<b>INTEGRATED CIRCUITS</b>	
IC101	M51167BFP-E1	IC, R/P	
IC102	BA7755A	IC, SW	
IC103	CXA1102M-T4	IC, DOLBY	
IC104	BU4066BF-E2	IC, ANALOG SW	
IC105	BU2040F-E2	IC, I/O	[M]
IC301	UPD4052BG-E2	IC, ANALOG SW	[M]
IC302	M62408FP	IC, AUDIO	
IC305	BA4558FDXE2	IC, OP AMP	[M]
IC306	BA4558FDXE2	IC, OP AMP	[M]
IC501	SVI3101D	IC, HIC	$\Delta$
IC601	M38173M6272	IC, UCOM	[M]
IC602	BA4558FDXE2	IC, OP AMP	[M]
IC603	LA5608M-TE-L	IC, RESET	
IC604	BA4558FDXE2	IC, OP AMP	[M]
IC605	BU4066BF-E2	IC, ANALOG SW	
IC606	BA4558FDXE2	IC, OP AMP	[M]
IC607	BA4558FDXE2	IC, OP AMP	[M]

RefNo.	Part No.	Part Name & Description	Remarks	RefNo.	Part No.	Part Name & Description	Remarks
IC951	DN6851ALB	IC, HALL (DK1)		Q311	2SC1740SSTA	TRANSISTOR	
IC971	DN6851ALB	IC, HALL (DK2)		Q312	RVTDTA124EST	TRANSISTOR	
				Q313	RVTDTC124EST	TRANSISTOR	[M]
		<b>TRANSISTORS</b>		Q315	2SC1740SLNST	TRANSISTOR	
Q101	2SJ40CDTA	TRANSISTOR		Q316	2SC1740SLNST	TRANSISTOR	
Q102	2SJ40CDTA	TRANSISTOR		Q317	2SJ40CTA	TRANSISTOR	
Q103	2SJ40CDTA	TRANSISTOR		Q318	2SJ40CTA	TRANSISTOR	
Q104	2SJ40CDTA	TRANSISTOR		Q319	2SK381CTA	TRANSISTOR	
Q105	RVTDTC144TST	TRANSISTOR		Q320	2SK381CTA	TRANSISTOR	
Q106	RVTDTC144TST	TRANSISTOR		Q321	2SC1740SSTA	TRANSISTOR	
Q107	RVTDTC144TST	TRANSISTOR		Q322	2SC1740SSTA	TRANSISTOR	
Q108	RVTDTC144TST	TRANSISTOR		Q323	2SC1740SSTA	TRANSISTOR	
Q109	RVTDTC144TST	TRANSISTOR		Q324	2SC1740SSTA	TRANSISTOR	
Q110	RVTDTC144TST	TRANSISTOR		Q325	RVTDTA114TST	TRANSISTOR	
Q115	2SD1020HTA	TRANSISTOR	[M]	Q326	RVTDTA114TST	TRANSISTOR	
Q116	2SD1020HTA	TRANSISTOR	[M]	Q327	RVTDTA124EST	TRANSISTOR	
Q117	RVIDTC144EST	TRANSISTOR		Q328	RVTDTC124EST	TRANSISTOR	[M]
Q151	RVTDTC144TST	TRANSISTOR		Q500	2SA933SSTA	TRANSISTOR	
Q152	RVTDTC144TST	TRANSISTOR		Q503	2SD2037ETA	TRANSISTOR	[M]
Q153	2SC1740SLNET	TRANSISTOR		Q505	2SD1762E	TRANSISTOR	[M] $\Delta$
Q154	2SC1740SLNET	TRANSISTOR		Q506	2SB1185E	TRANSISTOR	$\Delta$
Q171	2SD1450STA	TRANSISTOR		Q507	2SD1273P	TRANSISTOR	$\Delta$
Q173	RVIDTC144TST	TRANSISTOR		Q508	2SB621ARTA	TRANSISTOR	
Q174	2SC1740SSTA	TRANSISTOR		Q509	2SC2785FTA	TRANSISTOR	$\Delta$
Q175	2SD1450STA	TRANSISTOR		Q510	2SA564RTA	TRANSISTOR	
Q176	2SD1450STA	TRANSISTOR		Q511	2SD1762E	TRANSISTOR	[M] $\Delta$
Q179	2SC2784FTA	TRANSISTOR	[M]	Q512	2SC1740SSTA	TRANSISTOR	
Q180	2SC2784FTA	TRANSISTOR	[M]	Q513	2SC1740SSTA	TRANSISTOR	
Q201	2SD965RTA	TRANSISTOR		Q601	2SC1740SSTA	TRANSISTOR	
Q202	2SK301QTA	TRANSISTOR	[M]	Q602	2SC1740SSTA	TRANSISTOR	
Q203	2SD965RTA	TRANSISTOR				<b>DIODES</b>	
Q204	2SK301QTA	TRANSISTOR	[M]	D171	RVD1SS133TA	DIODE	
Q205	RVTDTC144TST	TRANSISTOR		D172	RVDMTZ4R7BTA	DIODE	
Q206	2SB621RTA	TRANSISTOR		D173	RVD1SS133TA	DIODE	
Q207	2SB621RTA	TRANSISTOR		D174	RVDMTZ3R6BTA	DIODE	[M]
Q208	RVTDTC114TST	TRANSISTOR		D301	RVD1SS133TA	DIODE	
Q209	RVTDTC114TST	TRANSISTOR		D302	RVD1SS133TA	DIODE	
Q218	RVIDTA114EST	TRANSISTOR		D303	RVD1SS133TA	DIODE	
Q219	RVTDTA143XST	TRANSISTOR		D305	RVDMTZ8R2CTA	DIODE	[M]
Q220	RVTDTA143XST	TRANSISTOR		D306	RVD1SS133TA	DIODE	
Q300	RVTDTA144TST	TRANSISTOR		D307	RVD1SS133TA	DIODE	
Q301	2SC1740SSTA	TRANSISTOR		D308	RVD1SS133TA	DIODE	
Q302	2SC1740SSTA	TRANSISTOR		D309	RVDMTZ6R8BTA	DIODE	
Q307	2SD1020HTA	TRANSISTOR	[M]	D311	MA29WATA	DIODE	
Q308	2SD1020HTA	TRANSISTOR	[M]	D312	MA29WATA	DIODE	
Q309	2SC1740SSTA	TRANSISTOR		D500	RVD1SS133TA	DIODE	
Q310	2SC1740SSTA	TRANSISTOR					



RefNo.	Part No.	Part Name & Description	Remarks
D501	RVD1SS133TA	DIODE	
D502	RVDMTZ6R8ATA	DIODE	[M]
D503	1D3E	DIODE	[M] ▲
D504	1D3E	DIODE	[M] ▲
D505	RVDMTZ6R2ATA	DIODE	[M]
D507	RVDMTZ15CTA	DIODE	[M]
D508	RVDMTZ8R2CTA	DIODE	[M]
D509	1D3E	DIODE	[M] ▲
D510	1D3E	DIODE	[M] ▲
D511	1N5402BM21	DIODE	▲
D512	1N5402BM21	DIODE	▲
D513	1N5402BM21	DIODE	▲
D514	1N5402BM21	DIODE	▲
D516	RVDMTZ15CTA	DIODE	[M] ▲
D517	1D3E	DIODE	[M] ▲
D518	MA4300HTA	DIODE	▲
D519	RVDMTZ5R1BTA	DIODE	
D520	RVDMTZ10BTA	DIODE	▲
D601	RVD1SS133TA	DIODE	
D602	RVDMTZ4R7BTA	DIODE	
D603	RVD1SS133TA	DIODE	
D604	RVD1SS133TA	DIODE	
D605	RVD1SS133TA	DIODE	
D606	RVD1SS133TA	DIODE	
D607	RVD1SS133TA	DIODE	
D608	RVD1SS133TA	DIODE	
D610	1SS291TA	DIODE	
D611	RVD1SS133TA	DIODE	
D612	RVD1SS133TA	DIODE	
D613	RVD1SS133TA	DIODE	
D614	RVD1SS133TA	DIODE	
D615	RVD1SS133TA	DIODE	
D616	RVD1SS133TA	DIODE	
D617	RVD1SS133TA	DIODE	
D621	RVD1SS133TA	DIODE	
D622	RVD1SS133TA	DIODE	
D629	RVD1SS133TA	DIODE	
D630	RVD1SS133TA	DIODE	
D951	RVD1SS133TA	DIODE (DK1)	
D971	RVD1SS133TA	DIODE (DK2)	
		<b>VARIABLE RESISTORS</b>	
VR101	RVNCC24B1T-A	VR, DK1 Lch (GAIN)	
VR102	RVNCC24B1T-A	VR, DK1 Rch (GAIN)	
VR103	RVNCC24B1T-A	VR, DK2 Lch (GAIN)	
VR104	RVNCC24B1T-A	VR, DK2 Rch (GAIN)	
VR201	RVNCC73B1T-A	VR, DK1 TPE SPD(NOR)	

RefNo.	Part No.	Part Name & Description	Remarks
VR202	RVNCC24B1T-A	VR, DK2 TPE SPD(NOR)	
VR203	RVNCC14B1T-A	VR, DK2 TPE SPD(HI)	
VR601	RRV16B24104A	VR, JOG	[M]
		<b>SWITCHES</b>	
S601	EVQ21405R	SW, TAPE EDIT(NOR)	
S602	EVQ21405R	SW, TAPE EDIT(HI)	
S603	EVQ21405R	SW, DECK 1/2	
S604	EVQ21405R	SW, REC PAUSE	
S605	EVQ21405R	SW, REW (TPS)	
S606	EVQ21405R	SW, REV PLAY	
S607	EVQ21405R	SW, FWD PLAY	
S608	EVQ21405R	SW, FF (TPS)	
S609	EVQ21405R	SW, STOP	
S610	EVQ21405R	SW, REVERSE MODE	
S611	EVQ21405R	SW, DOLBY NR	
S612	EVQ21405R	SW, COUNTER RESET	
S613	EVQ21405R	SW, POWER	
S614	EVQ21405R	SW, V BASS	
S615	EVQ21405R	SW, TIME/EFFECT DWN	
S616	EVQ21405R	SW, TIME/EFFECT UP	
S617	EVQ21405R	SW, REC TIMER	
S618	EVQ21405R	SW, PLAY TIMER	
S619	EVQ21405R	SW, CLOCK/TIMER	
S620	EVQ21405R	SW, SET	
S621	EVQ21405R	SW, EQ ON/FLAT	
S622	EVQ21405R	SW, EQ MODE	
S623	EVQ21405R	SW, SPACE MODE	
S624	EVQ21405R	SW, DISPLAY	
S951	RSH1A89ZD-U	SW, MODE DETECT DK1	
S952	RSH1A90YD-U	SW, TAPE DETECT DK1	
S953	RSH1A90YD-U	SW, CROS DETECT DK1	
S971	RSH1A89ZD-U	SW, MODE DETECT DK2	
S972	RSH1A90YD-U	SW, TAPE DETECT DK2	
S973	RSH1A90YD-U	SW, TAB DETECT DK2	
S974	RSH1A90YD-U	SW, TAB DETECT DK2	
S975	RSH1A90YD-U	SW, CRO2 DETECT DK2	
		<b>CONNECTORS</b>	
CN100	RJS10T4ZA	CONNECTOR (10P)	
CN200	RJS8T4ZA	CONNECTOR (8P)	
CN400	RJT065K15	CONNECTOR (15P)	
CN401	RJS1A5206	CONNECTOR (6P)	[M]
CN500	SJS50778JQ	CONNECTOR (7P)	
CN501	SJS50778JQ	CONNECTOR (7P)	
CN502	SJS50778JQ	CONNECTOR (7P)	

Ref No.	Part No.	Part Name & Description	Remarks	Ref No.	Part No.	Part Name & Description	Remarks
CN503	RJS1A5205	CONNECTOR (5P)	[M]			<b>COMPONENT COMBINATIONS</b>	
CN510	RJS1A1101T1	CONNECTOR (1P)					
CN511	RJS1A1101T1	CONNECTOR (1P)		Z101	EXBF6L306SYV	BLOCK RESISTOR	
CN512	RJS1A1101T1	CONNECTOR (1P)		Z102	EXBF6L306SYV	BLOCK RESISTOR	
CN513	RJS1A1101T1	CONNECTOR (1P)		Z103	EXBF6L306SYV	BLOCK RESISTOR	
CN520	RJS1A1101T1	CONNECTOR (1P)		Z501	BL02RN2R65T2	BEAD CORE	(EG)
CN521	RJS1A1101T1	CONNECTOR (1P)		Z502	BL02RN2R65T2	BEAD CORE	(EG)
CN522	RJS1A1101T1	CONNECTOR (1P)		Z503	BL02RN2R65T2	BEAD CORE	(EG)
CN523	RJS1A1101T1	CONNECTOR (1P)		Z601	RCDHC-278N	REMO-CON SENSOR	
CN524	RJS1A1101T1	CONNECTOR (1P)				<b>OSCILLATORS</b>	
CN525	RJS1A1101T1	CONNECTOR (1P)					
CN526	RJS1A1101T1	CONNECTOR (1P)		X601	RSXZ4M19M01T	4.19MHZ X'TAL	
CN527	RJS1A1101T1	CONNECTOR (1P)		X602	RSXD32K7S02	32.768KHZ X'TAL	[M]
CN528	RJS1A1101T1	CONNECTOR (1P)				<b>DISPLAY TUBE</b>	
CN529	RJS1A1101T1	CONNECTOR (1P)					
CN600A	RJS1A6223-1	CONNECTOR (23P)					
CN600B	RJS1A6823	CONNECTOR (23P)		FL601	RSL0164-F	FL METER	[M]
CN601	RJS1A5207	CONNECTOR (7P)				<b>FUSES</b>	
CP101	RJP5G18ZA	CONNECTOR (5P)					
CP102	RJP4G18ZA	CONNECTOR (4P)		F1	XBA2C10TB0	FUSE	⚠
CP103	RJP3G1ZA	CONNECTOR (3P)		F2	XBA2C08TB0	FUSE	⚠
CP500	RJP7G9YA	CONNECTOR (7P)	[M]	F3	XBA2C08TB0	FUSE	⚠
CP501	RJP7G9YA	CONNECTOR (7P)	[M]			<b>FUSE CLIPS</b>	
CP502	RJP7G9YA	CONNECTOR (7P)	[M]				
J951	RJS7T7ZA	CONNECTOR (DK1-7P)		FC1	EYF52BC	FUSE HOLDER	
J971	RJS10T7ZA	CONNECTOR (DK2-10P)		FC2	EYF52BC	FUSE HOLDER	
		<b>EARTH TERMINALS</b>		FC3	EYF52BC	FUSE HOLDER	
E1	SNE1004-1	EARTH PLATE		FC4	EYF52BC	FUSE HOLDER	
E2	SNE1004-1	EARTH PLATE	(EG)	FC5	EYF52BC	FUSE HOLDER	
		<b>COILS &amp; TRANSFORMERS</b>		FC6	EYF52BC	FUSE HOLDER	
						<b>RELAYS</b>	
L103	RLE2B001-1M	TRAP COIL	[M]	RLY501	RSY0013-0	RELAY	⚠
L104	RLE2B001-1M	TRAP COIL	[M]	RLY502	RSY0013-0	RELAY	⚠
L201	RL08C002M-T	BIAS OSC COIL				<b>JACKS</b>	
L202	RLQZB470KT-D	RF CHOKE COIL					
L300	RLQZPR47KT-Y	AXIAL COIL		JK301	RJH3209N	JK, RCA	[M]
L500	SLQZ650MH49	AC LINE COIL	⚠	JK500	SJS9236	JK, AC INLET	(E, EB, EG) ⚠
L501	SLQY07G-40	SP COIL		JK500	SJSD16	JK, AC INLET	(GN) ⚠
L502	SLQY07G-40	SP COIL		JK501	RJJ37TK01-C	JK, HP	[M]
L601	RLQZP3R3KT-Y	AXIAL COIL		JK502	RJR0054	JK, SP TERMINAL	
T501	RTP1M3B005	TRANSFORMER	[M] ⚠				

# RESISTORS & CAPACITORS

Notes : \* Capacitor values are in microfarads ( $\mu\text{F}$ ) unless specified otherwise, P=Pico-farads (pF), F=Farads.  
 \* Resistance values are in ohms, unless specified otherwise, 1K=1,000 (OHM).  
 \* Bracketed indications in Ref. No. columns specify the area (Refer to the first page for area).  
 Parts without these indications can be used for all areas.  
 \* [M] Indicates in the values & remarks column indicates parts supplied by MESA

Ref. No.	Part No.	Values & Remarks	Ref. No.	Part No.	Values & Remarks	Ref. No.	Part No.	Values & Remarks
		<b>RESISTORS</b>						
R101	ERD25TJ334T	330K 1/4W	R158	ERDS2TJ221T	220 1/4W	R232	ERDS2TJ222T	2.2K 1/4W
R102	ERDS2TJ104T	100K 1/4W	R159	ERDS2TJ222T	2.2K 1/4W	R233	ERD25TJ222T	2.2K 1/4W
R103	ERDS2TJ153T	15K 1/4W	R160	ERDS2TJ222T	2.2K 1/4W	R234	ERDS2TJ472T	4.7K 1/4W
R104	ERDS2TJ153T	15K 1/4W	R161	ERDS2TJ472T	4.7K 1/4W	R235	ERDS2TJ104T	100K 1/4W
R105	ERDS2TJ271T	270 1/4W	R162	ERDS2TJ472T	4.7K 1/4W	R236	ERDS2TJ104T	100K 1/4W
R106	ERD25TJ222T	2.2K 1/4W	R163	ERDS2TJ433T	43K 1/4W	R300	ERDS2TJ102T	1K 1/4W
R107	ERDS2TJ330T	33 1/4W	R169	ERDS2TJ102T	1K 1/4W	R301	ERDS2TJ183T	18K 1/4W
R108	ERDS2TJ330T	33 1/4W	R170	ERDS2TJ102T	1K 1/4W	R302	ERDS2TJ183T	18K 1/4W
R109	ERDS2TJ392T	3.9K 1/4W	R172	ERDS2TJ331T	330 1/4W	R303	ERDS2TJ223T	22K 1/4W
R110	ERDS2TJ392T	3.9K 1/4W	R173	ERDS2TJ103T	10K 1/4W	R304	ERDS2TJ223T	22K 1/4W
R111	ERDS2TJ222T	2.2K 1/4W	R174	ERDS2TJ103T	10K 1/4W	R305	ERDS2TJ472T	4.7K 1/4W
R112	ERDS2TJ222T	2.2K 1/4W	R176	ERDS2TJ103T	10K 1/4W	R306	ERDS2TJ472T	4.7K 1/4W
R113	ERDS2TJ122T	1.2K 1/4W	R177	ERDS2TJ682T	6.8K 1/4W	R307	ERDS2TJ102T	1K 1/4W
R114	ERDS2TJ122T	1.2K 1/4W	R178	ERDS2TJ1R2T	1.2 1/4W	R308	ERDS2TJ102T	1K 1/4W
R115	ERDS2TJ225T	2.2M 1/4W	R179	ERDS2TJ472T	4.7K 1/4W	R309	ERDS2TJ182T	1.8K 1/4W
R116	ERDS2TJ225T	2.2M 1/4W	R180	ERDS2TJ472T	4.7K 1/4W	R310	ERDS2TJ182T	1.8K 1/4W
R117	ERDS2TJ105T	1M 1/4W	R181	ERD25TJ332T	3.3K 1/4W	R311	ERDS2TJ273T	27K 1/4W
R118	ERDS2TJ105T	1M 1/4W	R182	ERDS2TJ1R0T	1 1/4W	R312	ERDS2TJ273T	27K 1/4W
R121	ERDS2TJ124T	120K 1/4W	R183	ERDS2TJ104T	100K 1/4W	R313	ERDS2TJ332T	3.3K 1/4W
R122	ERDS2TJ124T	120K 1/4W	R184	ERDS2TJ104T	100K 1/4W	R314	ERDS2TJ332T	3.3K 1/4W
R123	ERDS2TJ473T	47K 1/4W	R185	ERDS2TJ104T	100K 1/4W	R315	ERDS2TJ822T	8.2K 1/4W
R124	ERDS2TJ473T	47K 1/4W	R186	ERDS2TJ102T	1K 1/4W	R316	ERDS2TJ822T	8.2K 1/4W
R125	ERDS2TJ472T	4.7K 1/4W	R188	ERDS2TJ102T	1K 1/4W	R317	ERDS2TJ332T	3.3K 1/4W
R126	ERDS2TJ472T	4.7K 1/4W	R189	ERDS2TJ472T	4.7K 1/4W	R318	ERDS2TJ332T	3.3K 1/4W
R127	ERDS2TJ392T	3.9K 1/4W	R200	ERDS2TJ221T	220 1/4W	R319	ERDS2TJ821T	820 1/4W
R128	ERDS2TJ392T	3.9K 1/4W	R201	ERDS2TJ2R7T	2.7 1/4W	R320	ERDS2TJ821T	820 1/4W
R131	ERDS2TJ823T	82K 1/4W	R202	ERDS2TJ562T	5.6K 1/4W	R321	ERDS2TJ682T	6.8K 1/4W
R132	ERDS2TJ335T	3.3M 1/4W	R203	ERDS2TJ153T	15K 1/4W	R322	ERDS2TJ682T	6.8K 1/4W
R133	ERDS2TJ332T	3.3K 1/4W	R204	ERDS2TJ123T	12K 1/4W	R329	ERDS2TJ332T	3.3K 1/4W
R134	ERDS2TJ474T	470K 1/4W	R205	ERDS2TJ334T	330K 1/4W	R330	ERDS2TJ332T	3.3K 1/4W
R137	ERD25TJ103T	10K 1/4W	R206	ERDS2TJ221T	220 1/4W	R331	ERDS2TJ105T	1M 1/4W
R138	ERD25TJ103T	10K 1/4W	R207	ERDS2TJ2R7T	2.7 1/4W	R332	ERDS2TJ105T	1M 1/4W
R139	ERDS2TJ103T	10K 1/4W	R208	ERDS2TJ123T	12K 1/4W	R333	ERDS2TJ272T	2.7K 1/4W
R141	ERDS2TJ682T	6.8K 1/4W	R209	ERDS2TJ123T	12K 1/4W	R334	ERDS2TJ272T	2.7K 1/4W
R142	ERDS2TJ682T	6.8K 1/4W	R210	ERDS2TJ272T	2.7K 1/4W	R335	ERDS2TJ123T	12K 1/4W
R145	ERDS2TJ103T	10K 1/4W	R211	ERDS2TJ334T	330K 1/4W	R336	ERDS2TJ123T	12K 1/4W
R146	ERDS2TJ103T	10K 1/4W	R212	ERDS2TJ123T	12K 1/4W	R337	ERDS2TJ223T	22K 1/4W
R149	ERDS2TJ272T	2.7K 1/4W	R213	ERDS2TJ152T	1.5K 1/4W	R338	ERDS2TJ223T	22K 1/4W
R150	ERDS2TJ272T	2.7K 1/4W	R220	ERDS2TJ472T	4.7K 1/4W	R339	ERDS2TJ102T	1K 1/4W
R151	ERDS2TJ105T	1M 1/4W	R221	ERDS2TJ2R7T	2.7 1/4W	R340	ERDS2TJ102T	1K 1/4W
R152	ERDS2TJ105T	1M 1/4W	R225	ERDS2TJ2R7T	2.7 1/4W	R341	ERDS2TJ153T	15K 1/4W
R153	ERDS2TJ102T	1K 1/4W	R226	ERDS2TJ102T	1K 1/4W	R342	ERDS2TJ153T	15K 1/4W
R154	ERDS2TJ102T	1K 1/4W	R227	ERDS2TJ102T	1K 1/4W	R343	ERDS2TJ824T	820K 1/4W
R155	ERDS2TJ221T	220 1/4W	R228	ERDS2TJ472T	4.7K 1/4W	R344	ERDS2TJ332T	3.3K 1/4W
R156	ERDS2TJ221T	220 1/4W	R229	ERDS2TJ103T	10K 1/4W	R345	ERDS2TJ822T	8.2K 1/4W
			R230	ERDS2TJ472T	4.7K 1/4W	R346	ERDS2TJ222T	2.2K 1/4W
			R231	ERDS2TJ472T	4.7K 1/4W	R347	ERDS2TJ183T	18K 1/4W

Ref. No.	Part No.	Values & Remarks	Ref. No.	Part No.	Values & Remarks	Ref. No.	Part No.	Values & Remarks
R348	ERDS2TJ103T	10K 1/4W	R423	ERDS2TJ102T	1K 1/4W	R541	ERDS2TJ820T	82 1/4W
R351	ERDS2TJ273T	27K 1/4W	R424	ERDS2TJ102T	1K 1/4W	R542	ERDS2TJ820T	82 1/4W
R352	ERDS2TJ273T	27K 1/4W	R425	ERDS2TJ105T	1M 1/4W	R543	ERDS2TJ820T	82 1/4W
R357	ERDS2TJ103T	10K 1/4W	R426	ERDS2TJ105T	1M 1/4W	R545	ERDS1FVJ4R7T	4.7 1/2W
R361	ERDS2TJ104T	100K 1/4W	R427	ERDS2TJ105T	1M 1/4W	R546	ERDS1FVJ4R7T	4.7 1/2W
R362	ERDS2TJ104T	100K 1/4W	R428	ERDS2TJ105T	1M 1/4W	R548	ERDS2TJ102T	1K 1/4W
R363	ERDS2TJ102T	1K 1/4W	R432	ERDS2TJ473T	47K 1/4W	R549	ERDS2TJ151T	150 1/4W
R364	ERDS2TJ102T	1K 1/4W	R435	ERDS2TJ152T	1.5K 1/4W	R550	ERDS2TJ681T	680 1/4W
R365	ERDS2TJ222T	2.2K 1/4W	R436	ERDS2TJ152T	1.5K 1/4W	R551	ERDS1FVJ330T	33 1/2W ▲
R366	ERDS2TJ222T	2.2K 1/4W	R437	ERDS2TJ225T	2.2M 1/4W	R552	ERDS1FVJ330T	33 1/2W ▲
R369	ERDS2TJ682T	6.8K 1/4W	R438	ERDS2TJ225T	2.2M 1/4W	R554	ERDS2TJ471T	470 1/4W
R370	ERDS2TJ682T	6.8K 1/4W	R439	ERDS2TJ225T	2.2M 1/4W	R555	ERDS2TJ152T	1.5K 1/4W
R371	ERDS2TJ332T	3.3K 1/4W	R440	ERDS2TJ225T	2.2M 1/4W	R556	ERD2FCVJ4R7T	4.7 1/4W
R372	ERDS2TJ332T	3.3K 1/4W	R441	ERDS2TJ102T	1K 1/4W	R557	ERDS1FVJ390T	39 1/2W ▲
R373	ERDS2TJ102T	1K 1/4W	R442	ERDS2TJ102T	1K 1/4W	R559	ERDS1FVJ3R3T	3.3 1/2W ▲
R374	ERDS2TJ102T	1K 1/4W	R443	ERDS2TJ101T	100 1/4W	R561	ERD2FCVG220T	22 1/4W ▲
R381	ERDS2TJ222T	2.2K 1/4W	R444	ERDS2TJ101T	100 1/4W	R562	ERDS2TJ151T	150 1/4W
R382	ERDS1FVJ680T	68 1/2W	R501	ERDS2TJ102T	1K 1/4W	R563	ERDS2TJ823T	82K 1/4W
R383	ERDS2TJ222T	2.2K 1/4W	R502	ERDS2TJ102T	1K 1/4W	R564	ERDS2TJ124T	120K 1/4W
R384	ERDS2TJ151T	150 1/4W	R503	ERDS2TJ332T	3.3K 1/4W	R565	ERDS2TJ563T	56K 1/4W
R385	ERDS2TJ105T	1M 1/4W	R504	ERDS2TJ332T	3.3K 1/4W	R601	ERDS2TJ101T	100 1/4W
R386	ERDS2TJ105T	1M 1/4W	R505	ERDS2TJ104T	100K 1/4W	R602	ERDS2TJ101T	100 1/4W
R387	ERDS2TJ100T	10 1/4W	R506	ERDS2TJ104T	100K 1/4W	R603	ERDS2TJ104T	100K 1/4W
R388	ERDS2TJ103T	10K 1/4W	R507	ERDS2TJ104T	100K 1/4W	R604	ERDS2TJ561T	560 1/4W
R389	ERDS2TJ102T	1K 1/4W	R508	ERDS2TJ104T	100K 1/4W	R605	ERDS2TJ104T	100K 1/4W
R390	ERDS2TJ102T	1K 1/4W	R509	ERD25FVJ470T	47 1/4W	R607	ERDS2TJ473T	47K 1/4W
R391	ERDS2TJ153T	15K 1/4W	R510	ERDS1FVJ222T	2.2K 1/2W ▲	R608	ERDS2TJ473T	47K 1/4W
R392	ERDS2TJ153T	15K 1/4W	R511	ERDS2TJ563T	56K 1/4W	R611	ERDS2TJ104T	100K 1/4W
R393	ERDS2TJ104T	100K 1/4W	R512	ERDS2TJ103T	10K 1/4W	R612	ERDS2TJ102T	1K 1/4W
R394	ERDS2TJ104T	100K 1/4W	R513	ERD25FVJ820T	82 1/4W	R613	ERDS2TJ102T	1K 1/4W
R395	ERDS2TJ682T	6.8K 1/4W	R514	ERDS2TJ221T	220 1/4W	R614	ERDS2TJ102T	1K 1/4W
R396	ERDS2TJ682T	6.8K 1/4W	R515	ERDS1FVJ100T	10 1/2W ▲	R615	ERDS2TJ102T	1K 1/4W
R397	ERDS2TJ152T	1.5K 1/4W	R516	ERDS1FVJ100T	10 1/2W ▲	R616	ERDS2TJ102T	1K 1/4W
R398	ERDS2TJ152T	1.5K 1/4W	R517	ERDS2TJ100T	10 1/4W	R617	ERDS2TJ102T	1K 1/4W
R399	ERDS2TJ823T	82K 1/4W	R518	ERDS2TJ100T	10 1/4W	R618	ERDS2TJ102T	1K 1/4W
R400	ERDS2TJ823T	82K 1/4W	R519	ERDS2TJ334T	330K 1/4W	R619	ERDS2TJ104T	100K 1/4W
R401	ERDS2TJ224T	220K 1/4W	R520	ERDS2TJ820T	82 1/4W	R620	ERDS2TJ104T	100K 1/4W
R402	ERDS2TJ224T	220K 1/4W	R521	ERDS1FVJ330T	33 1/2W ▲	R621	ERDS2TJ104T	100K 1/4W
R403	ERDS2TJ223T	22K 1/4W	R522	ERDS1FVJ330T	33 1/2W ▲	R622	ERDS2TJ104T	100K 1/4W
R404	ERDS2TJ223T	22K 1/4W	R523	ERDS1FVJ272T	2.7K 1/2W ▲	R623	ERDS2TJ472T	4.7K 1/4W
R405	ERDS2TJ123T	12K 1/4W	R524	ERDS1FVJ330T	33 1/2W ▲	R624	ERDS2TJ472T	4.7K 1/4W
R406	ERDS2TJ123T	12K 1/4W	R525	ERDS2TJ103T	10K 1/4W	R625	ERDS2TJ681T	680 1/4W
R407	ERDS2TJ223T	22K 1/4W	R526	ERDS2TJ151T	150 1/4W ▲	R626	ERDS2TJ334T	330K 1/4W
R408	ERDS2TJ223T	22K 1/4W	R527	ERDS1FVJ182T	1.8K 1/2W ▲	R627	ERDS2TJ333T	33K 1/4W
R411	ERDS2TJ392T	3.9K 1/4W	R529	ERDS2TJ151T	150 1/4W	R628	ERDS2TJ333T	33K 1/4W
R412	ERDS2TJ392T	3.9K 1/4W	R530	ERDS1FVJ332T	3.3K 1/2W ▲	R629	ERDS2TJ182T	1.8K 1/4W
R413	ERDS2TJ102T	1K 1/4W	R531	ERDS2TJ103T	10K 1/4W	R630	ERDS2TJ182T	1.8K 1/4W
R414	ERDS2TJ102T	1K 1/4W	R533	ERDS1FVJ330T	33 1/2W ▲	R631	ERDS2TJ334T	330K 1/4W
R415	ERDS2TJ471T	470 1/4W	R534	ERDS1FVJ820T	82 1/2W ▲	R632	ERDS2TJ184T	180K 1/4W
R416	ERDS2TJ471T	470 1/4W	R535	ERDS1FVJ820T	82 1/2W ▲	R633	ERDS2TJ563T	56K 1/4W
R419	ERDS2TJ102T	1K 1/4W	R536	ERDS1FVJ820T	82 1/2W ▲	R634	ERDS2TJ393T	39K 1/4W
R420	ERDS2TJ102T	1K 1/4W	R538	ERDS2TJ151T	150 1/4W	R635	ERDS2TJ153T	15K 1/4W
R421	ERDS2TJ151T	150 1/4W	R539	ERDS2TJ332T	3.3K 1/4W	R636	ERDS2TJ103T	10K 1/4W
R422	ERDS2TJ151T	150 1/4W	R540	ERDS2TJ820T	82 1/4W	R637	ERDS2TJ823T	82K 1/4W

Ref. No.	Part No.	Values & Remarks	Ref. No.	Part No.	Values & Remarks	Ref. No.	Part No.	Values & Remarks
R638	ERDS2TJ563T	56K 1/4W	R696	ERDS2TJ104T	100K 1/4W	C156	ECEA1CKA100B	10 16V
R639	ERDS2TJ182T	1.8K 1/4W	R697	ERDS2TJ103T	10K 1/4W	C157	ECBT1H681KB5	680P 50V
R640	ERDS2TJ182T	1.8K 1/4W	R698	ERDS2TJ104T	100K 1/4W	C158	ECBT1H681KB5	680P 50V
R641	ERDS2TJ333T	33K 1/4W				C159	ECBT1C682KR5	6800P 16V
R642	ERDS2TJ333T	33K 1/4W			<b>CAPACITORS</b>	C160	ECBT1C682KR5	6800P 16V
R643	ERDS2TJ103T	10K 1/4W	C101	ECBT1H821KB5	820P 50V	C161	ECEA1CU101B	100 16V
R644	ERDS2TJ472T	4.7K 1/4W	C102	ECBT1H821KB5	820P 50V	C162	ECEA0JU471B	470 6.3V
R645	ERDS2TJ106T	10M 1/4W	C104	ECFR1C223MR	0.022 16V	C163	ECEA1HKA010B	1 50V
R646	ERDS2TJ820T	82 1/4W	C105	ECBT1H471KB5	470P 50V	C164	ECEA1HKA010B	1 50V
R647	ERDS2TJ104T	100K 1/4W	C106	ECBT1H471KB5	470P 50V	C165	ECEA1CKA100B	10 16V
R648	ERDS2TJ104T	100K 1/4W	C108	ECEA1AU330B	33 10V	C166	ECEA1CKA100B	10 16V
R649	ERDS2TJ102T	1K 1/4W	C109	ECEA1AU101B	100 10V	C167	ECEA50ZR68B	0.68 50V
R650	ERDS2TJ102T	1K 1/4W	C110	ECFR1E104ZF5	0.1 25V	C168	ECEA50ZR68B	0.68 50V
R651	ERDS2TJ102T	1K 1/4W	C111	ECBT1H331KB5	330P 50V	C169	ECEA1EU4R7B	4.7 25V
R652	ERDS2TJ331T	330 1/4W	C112	ECBT1H331KB5	330P 50V	C170	ECEA1EU4R7B	4.7 25V
R653	ERDS2TJ472T	4.7K 1/4W	C113	ECEA0JU221B	220 6.3V	C171	ECEA1CKA100B	10 16V
R655	ERDS2TJ104T	100K 1/4W	C114	ECEA0JU221B	220 6.3V	C172	ECEA1CU220B	22 16V
R656	ERDS2TJ104T	100K 1/4W	C115	ECFR1C333JR	0.033 16V	C173	ECBT1C103MS5	0.01 16V
R660	ERDS2TJ184T	180K 1/4W	C116	ECFR1C333JR	0.033 16V	C174	ECEA1EU4R7B	4.7 25V
R661	ERDS2TJ682T	6.8K 1/4W	C117	ECEA1HKA010B	1 50V	C175	ECEA1CU101B	100 16V
R662	ERDS2TJ682T	6.8K 1/4W	C118	ECEA1HKA010B	1 50V	C176	ECQV1H473JZ3	0.047 50V
R663	ERDS2TJ182T	1.8K 1/4W	C119	ECEA1EU4R7B	4.7 25V	C177	ECBT1H102KB5	1000P 50V
R664	ERDS2TJ182T	1.8K 1/4W	C120	ECEA1EU4R7B	4.7 25V	C178	ECBT1H102KB5	1000P 50V
R665	ERDS2TJ123T	12K 1/4W	C121	ECEA1HKA010B	1 50V	C179	ECBT1C103MS5	0.01 16V
R666	ERDS2TJ123T	12K 1/4W	C122	ECEA1HKA010B	1 50V	C180	ECFR1C103MR	0.01 16V
R667	ERDS2TJ122T	1.2K 1/4W	C123	ECBT1H102KB5	1000P 50V	C181	ECBT1C103MS5	0.01 16V
R668	ERDS2TJ271T	270 1/4W	C124	ECBT1H102KB5	1000P 50V	C182	ECEA1EU4R7B	4.7 25V
R669	ERDS2TJ123T	12K 1/4W	C125	ECFR1C473MR	0.047 16V	C183	ECQV1H474JZ3	0.47 50V
R670	ERDS2TJ102T	1K 1/4W	C126	ECFR1C473MR	0.047 16V	C184	ECQV1152JZ	1500P 100V
R671	ERDS2TJ820T	82 1/4W	C127	ECBT1C332MR5	3300P 16V	C185	ECQV1472JZT	4700P 100V
R672	ERDS2TJ820T	82 1/4W	C128	ECBT1C332MR5	3300P 16V	C186	ECEA1AU470B	47 10V
R673	ERDS2TJ820T	82 1/4W	C129	ECBT1H151KB5	150P 50V	C187	ECBT1H471KB5	470P 50V
R674	ERDS2TJ820T	82 1/4W	C130	ECBT1H151KB5	150P 50V	C188	ECBT1H471KB5	470P 50V
R675	ERDS2TJ820T	82 1/4W	C131	ECBT1H221KB5	220P 50V	C189	ECQV1272JZ	2700P 100V
R676	ERDS2TJ820T	82 1/4W	C132	ECBT1H221KB5	220P 50V	C190	ECBT1C103MS5	0.01 16V
R677	ERDS2TJ820T	82 1/4W	C133	ECEA1HKS010B	1 50V	C201	ECEA1CU101B	100 16V
R678	ERDS2TJ820T	82 1/4W	C134	ECEA1HKA010B	1 50V	C202	ECFR1E104ZF5	0.1 25V
R679	ERDS2TJ102T	1K 1/4W	C137	ECFR1C183KR	0.018 16V	C302	ECBT1E103ZF5	0.01 25V
R680	ERDS2TJ104T	100K 1/4W	C138	ECFR1C183KR	0.018 16V	C303	ECBT1E103ZF5	0.01 25V
R681	ERDS2TJ104T	100K 1/4W	C139	ECEA1HU2R2B	2.2 50V	C305	ECBT1C682KR5	6800P 16V
R682	ERDS2TJ104T	100K 1/4W	C140	ECEA1CKA100B	10 16V	C306	ECBT1C682KR5	6800P 16V
R683	ERDS2TJ104T	100K 1/4W	C141	ECEA1HU0R1B	0.1 50V	C307	ECBT1C222KR5	2200P 16V
R684	ERDS2TJ104T	100K 1/4W	C142	ECFR1C223MR	0.022 16V	C308	ECBT1C222KR5	2200P 16V
R685	ERDS2TJ104T	100K 1/4W	C143	ECEA1HKA010B	1 50V	C309	ECFR1C223KR	0.022 16V
R686	ERDS2TJ103T	10K 1/4W	C144	ECEA1HKA010B	1 50V	C310	ECFR1C223KR	0.022 16V
R687	ERDS2TJ102T	1K 1/4W	C145	ECEA1CKA100B	10 16V	C311	ECBT1C682KR5	6800P 16V
R688	ERDS2TJ102T	1K 1/4W	C146	ECEA1CKA100B	10 16V	C312	ECBT1C682KR5	6800P 16V
R689	ERDS2TJ104T	100K 1/4W	C150	ECEA1AU470B	47 10V	C313	ECEA1HKA0R1B	0.1 50V
R690	ERDS2TJ104T	100K 1/4W	C151	ECEA1HKA010B	1 50V	C314	ECEA1HKA0R1B	0.1 50V
R691	ERDS2TJ104T	100K 1/4W	C152	ECEA1HKA010B	1 50V	C315	ECFR1C333KR	0.033 16V
R692	ERDS2TJ104T	100K 1/4W	C153	ECBT1H102KB5	1000P 50V	C316	ECFR1C333KR	0.033 16V
R693	ERDS2TJ104T	100K 1/4W	C154	ECBT1H102KB5	1000P 50V	C317	ECEA1HKR15B	0.15 50V
R694	ERDS2TJ104T	100K 1/4W	C155	ECEA1CKA100B	10 16V	C318	ECEA1HKR15B	0.15 50V
R695	ERDS2TJ104T	100K 1/4W				C319	ECFR1C823MR	0.082 16V

Ref. No.	Part No.	Values & Remarks	Ref. No.	Part No.	Values & Remarks	Ref. No.	Part No.	Values & Remarks
C320	ECFR1C823MR	0.082 16V	C378	ECBT1E103ZE5	0.01 25V	C531	ECKR1H103ZF5	0.01 50V $\Delta$
C321	ECBT1E103ZF5	0.01 25V	C379	ECBT1E103ZF5	0.01 25V	C532	ECEA0JU101B	100 6.3V
C322	ECBT1H102KB5	1000P 50V	C380	ECEA1CKA100B	10 16V	C533	ECKR1H103ZF5	0.01 50V $\Delta$
C323	ECBT1H101KB5	100P 50V	C381	ECFR1C473KR	0.047 16V	C535	ECEA1CU101B	100 16V $\Delta$
C324	ECEA1AU471B	470 10V	C389	ECBT1E103ZF5	0.01 25V	C536	ECKR1H103ZF5	0.01 50V $\Delta$
C325	ECEA1CKA100B	10 16V	C390	ECEA1CKA100B	10 16V	C537	ECEA1CKA101B	100 16V $\Delta$
C326	ECEA1CKA100B	10 16V	C391	ECEA1AKA101B	100 10V	C538	ECKR1H103ZF5	0.01 50V $\Delta$
C327	ECBT1C152MR5	1500P 16V	C392	ECEA1HKA2R2B	2.2 50V	C539	ECKR1H103ZF5	0.01 50V
C328	ECBT1C152MR5	1500P 16V	C393	ECEA1HKAR68B	0.68 50V	C540	ECKR1H103ZF5	0.01 50V(EG)
C329	ECBT1H681KB5	680P 50V	C394	ECEA1HKAR68B	0.68 50V	C541	ECEA1HU332UE	3300 50V
C330	ECBT1H681KB5	680P 50V	C395	ECEA1HKAR68B	0.68 50V	C542	ECEA1HU332UE	3300 50V
C331	ECEA1HKAR47B	0.47 50V	C396	ECEA1HKAR68B	0.68 50V	C543	ECKR1H103ZF5	0.01 50V(EG)
C332	ECEA1HKAR47B	0.47 50V	C399	ECEA1HKA4R7B	4.7 50V	C544	ECKR1H103ZF5	0.01 50V(EG)
C333	ECEA1HKAR22B	0.22 50V	C400	ECEA1HKA4R7B	4.7 50V	C547	ECEA1HKA220B	22 50V
C334	ECEA1HKAR22B	0.22 50V	C401	ECEA1HKA4R7B	4.7 50V	C548	ECKR1H103ZF5	0.01 50V
C335	ECFR1C123KR	0.012 16V	C402	ECEA1HKA4R7B	4.7 50V	C549	ECEA1HU101B	100 50V
C336	ECFR1C123KR	0.012 16V	C403	ECBT1C332KR5	3300P 16V	C550	ECQE1224KZ	0.22 100V
C337	ECEA1HKA2R2B	2.2 50V	C404	ECBT1C332KR5	3300P 16V	C551	ECBT1H101KB5	100P 50V(EG)
C338	ECEA1HKA2R2B	2.2 50V	C405	ECEA1CKA100B	10 16V	C552	ECBT1H101KB5	100P 50V(EG)
C339	ECEA1CKA100B	10 16V	C406	ECEA1CKA100B	10 16V	C553	ECKR1H103ZF5	0.01 50V(E,EB,GN)
C340	ECEA1CKA100B	10 16V	C410	ECEA1HKA010B	1 50V	C553	ECKR1H223ZF5	0.022 50V(EG)
C341	ECBT1H820KB5	82P 50V	C411	ECEA1CKA100B	10 16V	C554	ECKR1H103ZF5	0.01 50V(E,EB,GN)
C342	ECBT1H820KB5	82P 50V	C412	ECEA1CKA100B	10 16V	C554	ECKR1H223ZF5	0.022 50V(EG)
C343	ECBT1H102KB5	1000P 50V	C421	ECBT1H101KB5	100P 50V	C555	ECBT1H101KB5	100P 50V(EG)
C344	ECBT1H102KB5	1000P 50V	C422	ECBT1H101KB5	100P 50V	C556	ECBT1H101KB5	100P 50V(EG)
C347	ECBT1H101KB5	100P 50V	C423	ECBT1H181KB5	180P 50V	C557	ECBT1H101KB5	100P 50V(EG)
C348	ECBT1H101KB5	100P 50V	C424	ECBT1H181KB5	180P 50V	C559	ECBT1C103MS5	0.01 16V(EG)
C349	ECBT1H101KB5	100P 50V	C501	ECEA1HKA0R1B	0.1 50V	C561	ECBT1H101KB5	100P 50V(EG)
C350	ECBT1H101KB5	100P 50V	C502	ECEA1HKA0R1B	0.1 50V	C562	ECBT1H101KB5	100P 50V(EG)
C351	ECEA1HKA010B	1 50V	C503	ECBT1H331KB5	330P 50V	C601	ECEA1HKS3R3B	3.3 50V
C352	ECEA1HKA010B	1 50V	C504	ECBT1H331KB5	330P 50V	C602	ECEA1HKS3R3B	3.3 50V
C353	ECEA1HKA010B	1 50V	C505	ECBT1H821KB5	820P 50V	C603	ECEA1HKS010B	1 50V
C354	ECEA1HKA010B	1 50V	C506	ECBT1H821KB5	820P 50V	C604	ECEA0JKA101B	100 6.3V
C355	ECEA1CKA100B	10 16V	C507	ECBT1H150J5	15P 50V	C605	ECBT1H102KB5	1000P 50V
C356	ECEA1CKA100B	10 16V	C508	ECBT1H150J5	15P 50V	C606	ECBT1H561KB5	560P 50V
C357	ECBT1H391KB5	390P 50V	C509	ECEA1HU330B	33 50V	C607	ECBT1H561KB5	560P 50V
C358	ECBT1H391KB5	390P 50V	C510	ECEA2AU100B	10 100V	C608	ECBT1H561KB5	560P 50V
C359	ECEA0JKA101B	100 6.3V	C511	ECKR1H473ZF5	0.047 50V	C609	ECEA0JKS470B	47 6.3V
C360	ECEA0JKA101B	100 6.3V	C512	ECKR1H473ZF5	0.047 50V	C610	ECEA0JU102B	1000 6.3V
C361	ECBT1H271KB5	270P 50V	C513	ECEA1HKA010B	1 50V	C611	ECBT1H102KB5	1000P 50V
C362	ECBT1H271KB5	270P 50V	C514	ECEA1HKA010B	1 50V	C612	ECEA0JU102B	1000 6.3V
C363	ECEA1HKAR47B	0.47 50V	C516	ECKR1H103ZF5	0.01 50V $\Delta$	C613	ECEA1AKA220B	22 10V
C364	ECEA1HKAR47B	0.47 50V	C517	ECKR1H103ZF5	0.01 50V $\Delta$	C614	ECBT1C103MS5	0.01 16V
C365	ECFR1C823MR	0.082 16V	C518	ECKR1H103ZF5	0.01 50V $\Delta$	C617	ECBT1C103MS5	0.01 16V
C366	ECBT1C472KR5	4700P 16V	C519	ECKR1H103ZF5	0.01 50V $\Delta$	C619	ECBT1H102KB5	1000P 50V
C367	ECEA1CN100SB	10 16V	C520	ECEA1CU470B	47 16V	C620	ECBT1H102KB5	1000P 50V
C368	ECFR1C223KR	0.022 16V	C521	ECEA1CU221B	220 16V	C621	ECBT1H680J5	68P 50V
C369	ECEA1HKA010B	1 50V	C523	ECEA0JKA101B	100 6.3V	C622	ECBT1H680J5	68P 50V
C370	ECEA1CKA101B	100 16V	C524	ECKR1H103ZF5	0.01 50V	C623	ECBT1H560J5	56P 50V
C371	ECEA1HKA4R7B	4.7 50V	C525	ECKR1H103ZF5	0.01 50V	C624	ECBT1H560J5	56P 50V
C372	ECEA1CKA100B	10 16V	C526	ECEA1HKA220B	22 50V	C625	ECBT1H220JC5	22P 50V
C375	ECBT1H470J5	47P 50V	C528	ECEA1AKA470B	47 10V	C626	ECBT1H180JC5	18P 50V
C376	ECBT1H470J5	47P 50V	C529	ECKR1H103ZF5	0.01 50V	C627	ECEA1HKA2R2B	2.2 50V
C377	ECBT1H470J5	47P 50V	C530	ECEA1HU102E	1000 50V $\Delta$	C628	ECEA1HKA2R2B	2.2 50V

Ref.No.	Part No.	Values & Remarks
C629	ECFR1C183KR	0.018 16V
C630	ECBT1C562KR5	5600P 16V
C631	ECFR1C183KR	0.018 16V
C632	ECBT1C562KR5	5600P 16V
C633	ECBT1C182KR5	1800P 16V
C634	ECBT1H561KB5	560P 50V
C635	ECBT1C182KR5	1800P 16V
C636	ECBT1H561KB5	560P 50V

Ref.No.	Part No.	Values & Remarks
C637	ECEA1HKA2R2B	2.2 50V
C638	ECEA1HKA2R2B	2.2 50V
C639	ECBT0J223NS5	0.022 6.3V
C640	ECEA1HKS2R2B	0.22 50V
C641	ECBT1C103MS5	0.01 16V
C642	ECBT1H101KB5	100P 50V
C643	ECBT1H101KB5	100P 50V
C644	ECEA1HKS33B	0.33 50V

Ref.No.	Part No.	Values & Remarks
C645	ECBT1H220JC5	22P 50V
C646	ECBT1H220JC5	22P 50V
C647	ECBT1H220J5	22P 50V
C651	ECBT1H331KB5	330P 50V
C652	ECBT1H331KB5	330P 50V
C951	ECBT1H101KB5	100P 50V
C971	ECBT1H101KB5	100P 50V

## PACKING MATERIALS & ACCESSORIES

Notes: \* Important safety notice:  
 Components identified by  $\Delta$  mark have special characteristics important for safety.  
 Furthermore, special parts which have purposes of fire-retardant (resistors), high-quality sound (capacitors), low noise (resistors), etc are used.  
 When replacing any of these components, be sure to use only manufacturer's specified parts shown in the parts list.  
 \* The parenthesized indications in the Remarks columns specify the areas. (Refer to the cover page for area)  
 Parts without these indications can be used for all areas.  
 \* The "(SF)" mark denotes the standard part.  
 \* Remote Control Unit :  
 Supply period for three years from terminal of production.  
 \* [M] Indicates in the Remarks columns indicates parts supplied by MESA.

RefNo.	Part No.	Part Name & Description	Remarks
<b>PACKING MATERIALS</b>			
P1	RPG1937	GIFT BOX	[M] (E, EG)
P1	RPG1938	GIFT BOX	[M] (GN)
P1	RPG1941	GIFT BOX	[M] (EB)
P2	SPSD155	ACCESSORY CASE	
P3	RPF0100	BAG (SET)	[M]
P4	RPN0761	POLYFOAM	[M]
P5	XZB24X33C04	VINYL BAG	
<b>ACCESSORIES</b>			
A1	EUR642181	REMOTE CONTROL UNIT	[M]
A2	RJA0019-2K	AC CORD	(SF) (E, EG) $\Delta$
A2	RJA0036-K	AC CORD	(GN) $\Delta$
A2	VJA0733	AC CORD	(SF) (EB) $\Delta$
A4	RQCB0169	SERVICE CENTER LIST	
A6	RFKSUCH80EK	INSTR MANUAL ASS'Y	[M] (E)
A6	RQT2265-E	INSTRUCTION MANUAL	[M] (EG)
A6	RQT2266-B	INSTRUCTION MANUAL	[M] (EB, GN)
A7	SLA9Z5T	LOOP ANT	[M]
A8	SSA270	FM ANT	(E, EB, EG)
A8	SSA272	FM ANT	[M] (GN)
A9	REX0581	BUS CABLE	[M]
A10	XTN3-12AFZ	SCREW	
A11	RMN0244	ANT HOLDER	
A12	SJP9009	ATTACHMENT PLUG	(EB)

RefNo.	Part No.	Part Name & Description	Remarks

# PACKAGING

## SU-CH80 (CASSETTE DECK/AMPLIFIER)

P2 (SPSD155) : ACCESSORY CASE

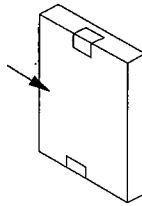
P5 (XZB24X33C04) : VINYL BAG

- A2 (RJA0019-2K) : AC CORD (E, EG)
- (RJA0036-K) : AC CORD (GN)
- (VJA0733) : AC CORD (EB)
- A4 (RQCB0169) : SERVICE CENTER LIST
- A6 (RFKSUCH80EK) : INSTR. MANUAL ASS'Y (E)
- (RQT2265-E) : INSTRUCTION MANUAL (EG)
- (RQT2266-B) : INSTRUCTION MANUAL (EB, GN)
- A8 (SSA270) : FM ANT (E, EB, EG)
- (SSA272) : FM ANT (GN)
- A12 (SJP9009) : ATTACHMENT PLUG (EB)

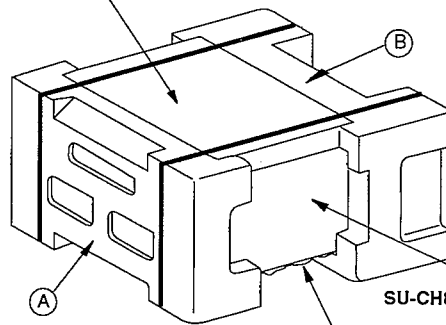
- A1 (EUR642181) : REMOTE CONTROL UNIT
- A9 (REX0581) : BUS CABLE

PREPARED AM LOOP ANT

- A7 (SLA9Z5T) : LOOP ANT
- A10 (XTN3+12AFZ) : SCREW
- A11 (RMN0244) : ANT HOLDER



P2 (SPSD155) : ACCESSORY CASE

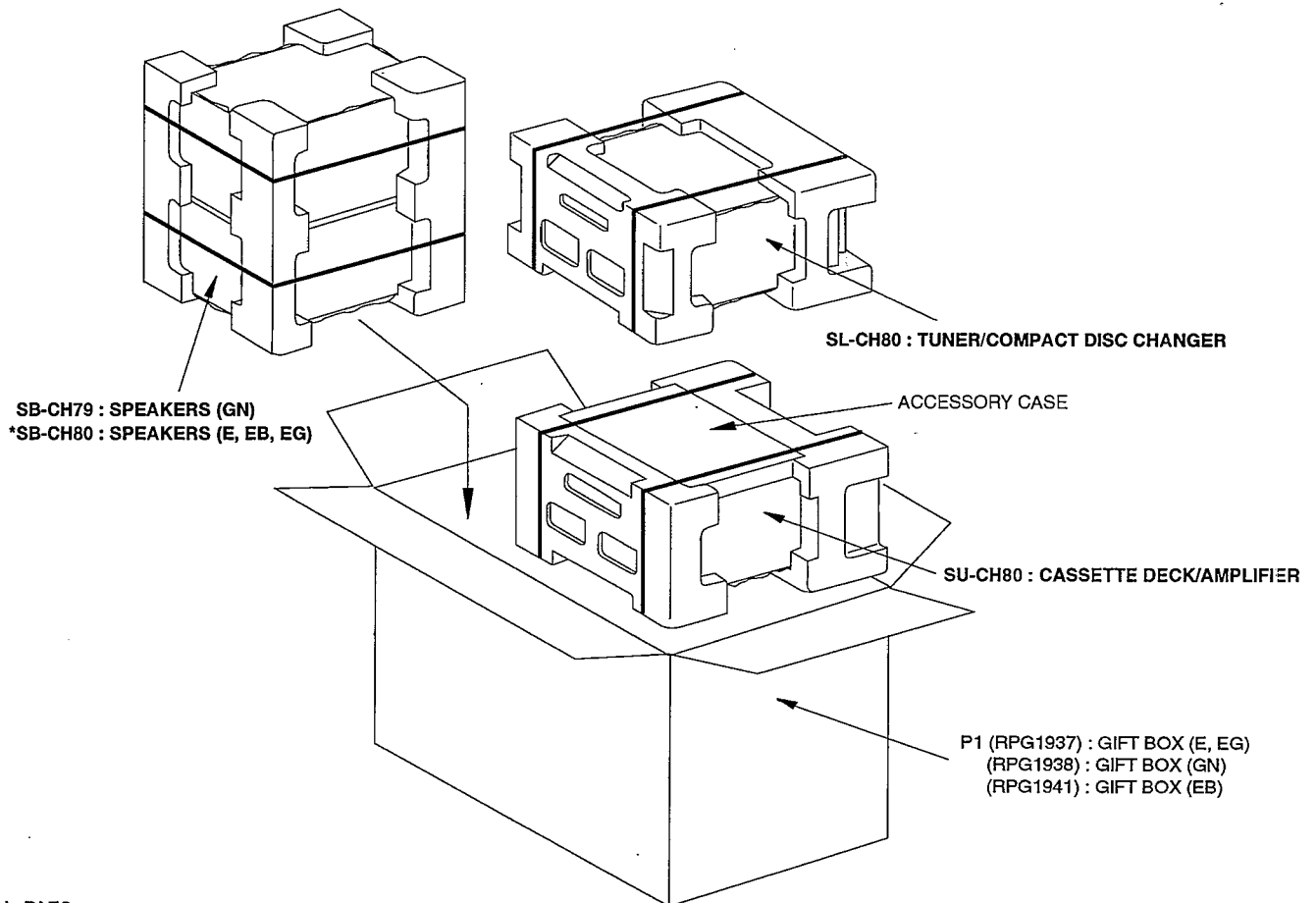


SU-CH80 : CASSETTE DECK/AMPLIFIER

P3 (RPF0100) : BAG (SET)

(A), (B) - P4 (RPN0761) : POLYFOAM

## SC-CH80 (SYSTEM)



\* Made in PAES



Long scan

Long scan

Long scan

Long scan

**MECHANISM PARTS LIST**

NOTES : [M] indicates in the Remarks columns indicates parts supplied by MESA.

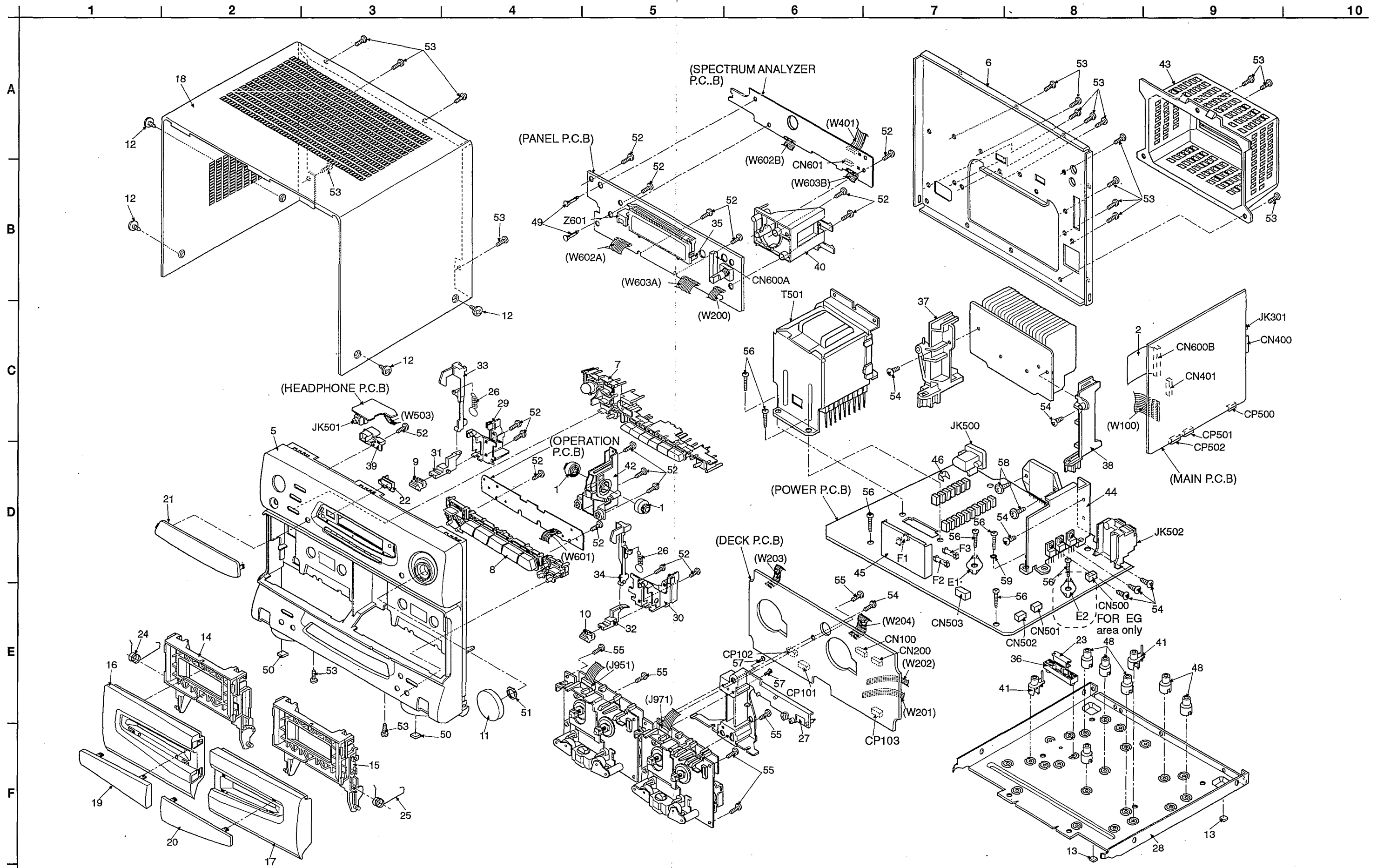
RefNo.	Part No.	Part Name & Description	Remarks
		<b>CASSETTE MECHANISM</b>	
		(DECK 1)	
101	RXQ0292	HEAD BLOCK ASS'Y	
102	RUA793ZF	CHASSIS	
103	RZLAR300A	LEVER ASS'Y	
103A	RUW143ZA	SPRING	
104	IUB0089Z	ARM	
104A	RUW148ZA	SPRING	
105	IDM0018ZB	REEL TABLE ASS'Y	
106	IDM0017ZB	REEL TABLE ASS'Y	
107	RML0069-1	LEVER	
108	RDG5772ZC	GEAR	
109	RUB508ZB	LEVER	
110	RUB506ZB	LEVER	
111	IUB0088ZB	PINCH ROLLER	
111A	RUW141ZA	SPRING	
112	IUB0087ZB	PINCH ROLLER	
112A	RUW140ZB	SPRING	
114	RNL1ZD	ARM	
115	RUB503ZD	LEVER	
116	RZUAR300A	CHASSIS ASS'Y	
117	RUW142ZA	SPRING	
118	RUD105ZA	SPRING	
120	RUW139ZA	SPRING	
121	RFM133ZA	MOTOR ASS'Y	
122	IUE0015ZB	PLUNGER	
123	RUB428ZE	SHAFT	
124	RUL1030YA	PLATE	
125	RMD5014ZC	SPACER	
126	RDG5927ZG	GEAR	
127	IDW0037ZB	FLYWHEEL ASS'Y	
127A	RNW139ZA	WASHER	
128	IDW0038ZB	FLYWHEEL ASS'Y	
128A	RNW138ZA	WASHER	
129	IDG0006ZB	GEAR ASS'Y	
130	RUB513ZD	ARM	
131	IUB0091Z	LEVER	
131A	RUW146ZA	SPRING	
132	IDR0011ZB	PULLEY ASS'Y	
133	RDV90ZB	BELT	
134	RDG5769ZA	GEAR	
135	RUQ111ZB	SPRING	
136	RUW145ZA	SPRING	
137	IUB0090ZA	ROD	
137A	RUB512ZB	ROD	

RefNo.	Part No.	Part Name & Description	Remarks
138	RDG5773ZB	GEAR	
139	RUQ112ZA	SPRING	
140	RUS609ZC	SPRING	
141	RUB514ZC	LEVER	
142	RUW147ZA	SPRING	
143	RUB515ZA	LEVER	
144	RUB509ZA	LEVER	
145	RDV108ZA	BELT	
148	RUW144ZA	SPRING	
149	RHG3032ZA	RUBBER	
150	RNL180ZB	LEVER	
151	REX0450	LEAD WIRE BLOCK (4P)	[M]
161	XTW2+6L	SCREW	
163	XTN26+7J	SCREW	
164	RHE5203ZA	SCREW	
165	XTW2+8S	SCREW	
166	XYC2+JF16	SCREW	
167	RHD26002	SCREW	
168	RJS7T7ZA	CONNECTOR	

RefNo.	Part No.	Part Name & Description	Remarks
		(DECK 2)	
201	RXQ0291	HEAD BLOCK ASS'Y	
202	RUA793ZF	CHASSIS	
203	RZLAR300A	LEVER ASS'Y	
203A	RUW143ZA	SPRING	
204	IUB0089ZA	ARM	
204A	RUW148ZA	SPRING	
205	IDM0018ZB	REEL TABLE ASS'Y	
206	IDM0017ZB	REEL TABLE ASS'Y	
207	RML0069-1	LEVER	
208	RDG5772ZC	GEAR	
209	RUB508ZB	LEVER	
210	RUB506ZB	LEVER	
211	IUB0088ZB	PINCH ROLLER	
211A	RUW141ZA	SPRING	
212	IUB0087ZB	PINCH ROLLER	
212A	RUW140ZB	SPRING	
214	RNL1ZD	ARM	
215	RUB503ZD	LEVER	
216	RZUAR300A	CHASSIS ASS'Y	
217	RUW142ZA	SPRING	
218	RUD105ZA	SPRING	
219	RUW144ZA	SPRING	
220	RUW139ZA	SPRING	
221	RFM133ZA	MOTOR ASS'Y	
222	IUE0015ZB	PLUNGER	
223	RUB428ZE	SHAFT	
224	RUL1030YA	PLATE	
225	RMD5014ZC	SPACER	
226	RDG5927ZG	GEAR	
227	IDW0037ZB	FLYWHEEL ASS'Y	
227A	RNW139ZA	WASHER	
228	IDW0038ZB	FLYWHEEL ASS'Y	
228A	RNW138ZA	WASHER	
229	IDG0006ZB	GEAR ASS'Y	
230	RUB513ZD	LEVER	
231	IUB0091Z	LEVER	
231A	RUW146ZA	SPRING	
232	IDR0011ZB	PULLEY ASS'Y	
233	RDV90ZB	BELT	
234	RDG5769ZA	GEAR	
235	RUQ111ZB	SPRING	
236	RUW145ZA	SPRING	
237	IUB0090ZA	ROD	
237A	RUB512ZB	ROD	

RefNo.	Part No.	Part Name & Description	Remarks
238	RDG5773ZA	GEAR	
239	RUQ112ZA	SPRING	
240	RUS609ZC	SPRING	
241	RUB514ZC	LEVER	
242	RUW147ZA	SPRING	
243	RUB515ZA	LEVER	
244	RUB509ZA	LEVER	
245	RDV108ZA	BELT	
249	RHG3032ZA	RUBBER	
250	RNL180ZB	LEVER	
251	REX0305	LEAD WIRE BLOCK (5P)	[M]
261	XTW2+6L	SCREW	
263	XTN26+7J	SCREW	
264	RHE5203ZA	SCREW	
265	XTW2+8S	SCREW	
266	XYC2+JF16	SCREW	
267	RHD26002	SCREW	
268	RJS10T7ZA	SOCKET (J971)	

■ CABINET PARTS LOCATION



# REPLACEMENT PARTS LIST

**Notes: \* Important safety notice:**

 Components identified by  $\Delta$  mark have special characteristics important for safety.

Furthermore, special parts which have purposes of fire-retardant (resistors), high-quality sound (capacitors), low noise (resistors), etc are used.

When replacing any of these components, be sure to use only manufacturer's specified parts shown in the parts list.

\* The parenthesized indications in the Remarks columns specify the areas. (Refer to the cover page for area)

Parts without these indications can be used for all areas.

\* [M] Indicates in the Remarks columns indicates parts supplied by MESA.

Ref No.	Part No.	Part Name & Description	Remarks
		<b>CABINET AND CHASSIS</b>	
1	RDG0129	DAMPER GEAR	[M]
2	REE0546	FFC (PANEL-MAIN)	[M]
5	RFKGUCH80PK	FRONT PANEL ASS'Y	[M]
6	RGR0182A-G	REAR PANEL	[M] (E)
6	RGR0182A-H	REAR PANEL	[M] (EB, GN)
6	RGR0182A-J	REAR PANEL	[M] (EG)
7	RGU1005-K	GEQ BUTTON	[M]
8	RGU1006-K	CASSETTE BUTTON	[M]
9	RGU1007-K	EJECT KNOB (L)	[M]
10	RGU1008-K	EJECT KNOB (R)	[M]
11	RGW0194-K	VOL KNOB	[M]
12	RHD30007	SCREW	
13	RKA0059-K	LEG RUBBER	[M]
14	RFKLACH455P3	CASS HOLDER ASS'Y L	[M]
15	RFKLACH455P4	CASS HOLDER ASS'Y R	[M]
16	RKF0355-K	CASSETTE LID (L)	[M]
17	RKF0356-K	CASSETTE LID (R)	[M]
18	RKM0247Z-K	CABINET	[M]
19	RKW0321-Q	CASSETTE WINDOW (L)	[M]
20	RKW0322-Q	CASSETTE WINDOW (R)	[M]
21	RKW0323-Q	FL WINDOW	[M]
22	RKW0324-Q	SENSOR FILTER	[M]
23	RMA0678	TRANS SUPPORT ANGLE	[M]
24	RMB0293	OPEN SPRING (L)	[M]
25	RMB0294	OPEN SPRING (R)	[M]
26	RMB0295	EJECT SPRING	[M]
27	RMK0059-1E	CASSETTE PCB SUPPORT	[M]
28	RMK0199	BOTTOM CHASSIS	[M]
29	RML0301	EJECT LEVER STAND L	[M]
30	RML0302	EJECT LEVER STAND R	[M]
31	RML0303	EJECT LEVER (L)	[M]
32	RML0304	EJECT LEVER (R)	[M]
33	RMM0102	EJECT ROD (L)	[M]
34	RMM0103	EJECT ROD (R)	[M]
35	RMN0253	FL HOLDER	[M]
36	RMR0651-K	TRANS SUPPORT	[M]
37	RMR0653-K	HEAT SINK SUPPORT L	[M]
38	RMR0654-K	HEAT SINK SUPPORT R	[M]

Ref No.	Part No.	Part Name & Description	Remarks
39	RMR0730-X	HP JACK HOLDER	[M]
40	RMR0731-X	MAIN PCB SUPPORT	[M]
41	RMR0741-X	PCB SUPPORT (PIN)	[M]
42	RMS0401	DAMPER GEAR HOLDER	[M]
43	RMV0058	HEAT SINK COVER	[M]
44	RMV0116	SUB HEAT SINK	[M]
45	RSC0311	SHIELD PLATE	[M]
46	RSC0332	PROTECTION PLATE	[M]
48	SHE187-3	PCB SUPPORT	
49	SHR8005	PCB SUPPORT	
50	SHS3276	LEG FELT	[M]
51	XNS9D	NUT	
52	XTBS26+10J	SCREW	
53	XTBS3+8JFZ1	SCREW	
54	XTB3+12CFN	SCREW	
55	XTB3+12JFR	SCREW	
56	XTB3+20J	SCREW	
57	XTV26+6F	SCREW	
58	XTW3+15T	SCREW	
59	XWA3B	SPRING WASHER	
		<b>INTEGRATED CIRCUITS</b>	
IC101	M51167BFP-E1	IC, R/P	
IC102	BA7755A	IC, SW	
IC103	CXA1102M-T4	IC, DOLBY	
IC104	BU4066BF-E2	IC, ANALOG SW	
IC105	BU2040F-E2	IC, I/O	[M]
IC301	UPD4052BG-E2	IC, ANALOG SW	[M]
IC302	M62408FP	IC, AUDIO	
IC305	BA4558FDXE2	IC, OP AMP	[M]
IC306	BA4558FDXE2	IC, OP AMP	[M]
IC501	SVI3101D	IC, HIC	$\Delta$
IC601	M38173M6272	IC, UCOM	[M]
IC602	BA4558FDXE2	IC, OP AMP	[M]
IC603	LA5608M-TE-L	IC, RESET	
IC604	BA4558FDXE2	IC, OP AMP	[M]
IC605	BU4066BF-E2	IC, ANALOG SW	
IC606	BA4558FDXE2	IC, OP AMP	[M]
IC607	BA4558FDXE2	IC, OP AMP	[M]

RefNo.	Part No.	Part Name & Description	Remarks
IC951	DN6851ALB	IC, HALL (DK1)	
IC971	DN6851ALB	IC, HALL (DK2)	
		<b>TRANSISTORS</b>	
Q101	2SJ40CDTA	TRANSISTOR	
Q102	2SJ40CDTA	TRANSISTOR	
Q103	2SJ40CDTA	TRANSISTOR	
Q104	2SJ40CDTA	TRANSISTOR	
Q105	RVIDTC144TST	TRANSISTOR	
Q106	RVIDTC144TST	TRANSISTOR	
Q107	RVIDTC144TST	TRANSISTOR	
Q108	RVIDTC144TST	TRANSISTOR	
Q109	RVIDTC144TST	TRANSISTOR	
Q110	RVIDTC144TST	TRANSISTOR	
Q115	2SD1020HTA	TRANSISTOR	[M]
Q116	2SD1020HTA	TRANSISTOR	[M]
Q117	RVIDTC144EST	TRANSISTOR	
Q151	RVIDTC144TST	TRANSISTOR	
Q152	RVIDTC144TST	TRANSISTOR	
Q153	2SC1740SLNET	TRANSISTOR	
Q154	2SC1740SLNET	TRANSISTOR	
Q171	2SD1450STA	TRANSISTOR	
Q173	RVIDTC144TST	TRANSISTOR	
Q174	2SC1740SSTA	TRANSISTOR	
Q175	2SD1450STA	TRANSISTOR	
Q176	2SD1450STA	TRANSISTOR	
Q179	2SC2784FTA	TRANSISTOR	[M]
Q180	2SC2784FTA	TRANSISTOR	[M]
Q201	2SD965RTA	TRANSISTOR	
Q202	2SK301QTA	TRANSISTOR	[M]
Q203	2SD965RTA	TRANSISTOR	
Q204	2SK301QTA	TRANSISTOR	[M]
Q205	RVIDTC144TST	TRANSISTOR	
Q206	2SB621RTA	TRANSISTOR	
Q207	2SB621RTA	TRANSISTOR	
Q208	RVIDTC114TST	TRANSISTOR	
Q209	RVIDTC114TST	TRANSISTOR	
Q218	RVIDTA114EST	TRANSISTOR	
Q219	RVIDTA143XST	TRANSISTOR	
Q220	RVIDTA143XST	TRANSISTOR	
Q300	RVIDTA144TST	TRANSISTOR	
Q301	2SC1740SSTA	TRANSISTOR	
Q302	2SC1740SSTA	TRANSISTOR	
Q307	2SD1020HTA	TRANSISTOR	[M]
Q308	2SD1020HTA	TRANSISTOR	[M]
Q309	2SC1740SSTA	TRANSISTOR	
Q310	2SC1740SSTA	TRANSISTOR	

RefNo.	Part No.	Part Name & Description	Remarks
Q311	2SC1740SSTA	TRANSISTOR	
Q312	RVIDTA124EST	TRANSISTOR	
Q313	RVIDTC124EST	TRANSISTOR	[M]
Q315	2SC1740SLNST	TRANSISTOR	
Q316	2SC1740SLNST	TRANSISTOR	
Q317	2SJ40CTA	TRANSISTOR	
Q318	2SJ40CTA	TRANSISTOR	
Q319	2SK381CTA	TRANSISTOR	
Q320	2SK381CTA	TRANSISTOR	
Q321	2SC1740SSTA	TRANSISTOR	
Q322	2SC1740SSTA	TRANSISTOR	
Q323	2SC1740SSTA	TRANSISTOR	
Q324	2SC1740SSTA	TRANSISTOR	
Q325	RVIDTA114TST	TRANSISTOR	
Q326	RVIDTA114TST	TRANSISTOR	
Q327	RVIDTA124EST	TRANSISTOR	
Q328	RVIDTC124EST	TRANSISTOR	[M]
Q500	2SA933SSTA	TRANSISTOR	
Q503	2SD2037ETA	TRANSISTOR	[M]
Q505	2SD1762E	TRANSISTOR	[M] $\Delta$
Q506	2SB1185E	TRANSISTOR	$\Delta$
Q507	2SD1273P	TRANSISTOR	$\Delta$
Q508	2SB621ARTA	TRANSISTOR	
Q509	2SC2785FTA	TRANSISTOR	$\Delta$
Q510	2SA564RTA	TRANSISTOR	
Q511	2SD1762E	TRANSISTOR	[M] $\Delta$
Q512	2SC1740SSTA	TRANSISTOR	
Q513	2SC1740SSTA	TRANSISTOR	
Q601	2SC1740SSTA	TRANSISTOR	
Q602	2SC1740SSTA	TRANSISTOR	
		<b>DIODES</b>	
D171	RVD1SS133TA	DIODE	
D172	RVDMTZ4R7BTA	DIODE	
D173	RVD1SS133TA	DIODE	
D174	RVDMTZ3R6BTA	DIODE	[M]
D301	RVD1SS133TA	DIODE	
D302	RVD1SS133TA	DIODE	
D303	RVD1SS133TA	DIODE	
D305	RVDMTZ8R2CTA	DIODE	[M]
D306	RVD1SS133TA	DIODE	
D307	RVD1SS133TA	DIODE	
D308	RVD1SS133TA	DIODE	
D309	RVDMTZ6R8BTA	DIODE	
D311	MA29WATA	DIODE	
D312	MA29WATA	DIODE	
D500	RVD1SS133TA	DIODE	

RefNo.	Part No.	Part Name & Description	Remarks
D501	RVD1SS133TA	DIODE	
D502	RVDMTZ6R8ATA	DIODE	[M]
D503	1D3E	DIODE	[M] ▲
D504	1D3E	DIODE	[M] ▲
D505	RVDMTZ6R2ATA	DIODE	[M]
D507	RVDMTZ15CTA	DIODE	[M]
D508	RVDMTZ8R2CTA	DIODE	[M]
D509	1D3E	DIODE	[M] ▲
D510	1D3E	DIODE	[M] ▲
D511	1N5402BM21	DIODE	▲
D512	1N5402BM21	DIODE	▲
D513	1N5402BM21	DIODE	▲
D514	1N5402BM21	DIODE	▲
D516	RVDMTZ15CTA	DIODE	[M] ▲
D517	1D3E	DIODE	[M] ▲
D518	MA4300HTA	DIODE	▲
D519	RVDMTZ5R1BTA	DIODE	
D520	RVDMTZ10BTA	DIODE	▲
D601	RVD1SS133TA	DIODE	
D602	RVDMTZ4R7BTA	DIODE	
D603	RVD1SS133TA	DIODE	
D604	RVD1SS133TA	DIODE	
D605	RVD1SS133TA	DIODE	
D606	RVD1SS133TA	DIODE	
D607	RVD1SS133TA	DIODE	
D608	RVD1SS133TA	DIODE	
D610	1SS291TA	DIODE	
D611	RVD1SS133TA	DIODE	
D612	RVD1SS133TA	DIODE	
D613	RVD1SS133TA	DIODE	
D614	RVD1SS133TA	DIODE	
D615	RVD1SS133TA	DIODE	
D616	RVD1SS133TA	DIODE	
D617	RVD1SS133TA	DIODE	
D621	RVD1SS133TA	DIODE	
D622	RVD1SS133TA	DIODE	
D629	RVD1SS133TA	DIODE	
D630	RVD1SS133TA	DIODE	
D951	RVD1SS133TA	DIODE (DK1)	
D971	RVD1SS133TA	DIODE (DK2)	
		<b>VARIABLE RESISTORS</b>	
VR101	RVNCC24B1T-A	VR, DK1 Lch (GAIN)	
VR102	RVNCC24B1T-A	VR, DK1 Rch (GAIN)	
VR103	RVNCC24B1T-A	VR, DK2 Lch (GAIN)	
VR104	RVNCC24B1T-A	VR, DK2 Rch (GAIN)	
VR201	RVNCC73B1T-A	VR, DK1 TPE SPD(NOR)	

RefNo.	Part No.	Part Name & Description	Remarks
VR202	RVNCC24B1T-A	VR, DK2 TPE SPD(NOR)	
VR203	RVNCC14B1T-A	VR, DK2 TPE SPD(HI)	
VR601	RRV16B24104A	VR, JOG	[M]
		<b>SWITCHES</b>	
S601	EVQ21405R	SW, TAPE EDIT(NOR)	
S602	EVQ21405R	SW, TAPE EDIT(HI)	
S603	EVQ21405R	SW, DECK 1/2	
S604	EVQ21405R	SW, REC PAUSE	
S605	EVQ21405R	SW, REW (TPS)	
S606	EVQ21405R	SW, REV PLAY	
S607	EVQ21405R	SW, FWD PLAY	
S608	EVQ21405R	SW, FF (TPS)	
S609	EVQ21405R	SW, STOP	
S610	EVQ21405R	SW, REVERSE MODE	
S611	EVQ21405R	SW, DOLBY NR	
S612	EVQ21405R	SW, COUNTER RESET	
S613	EVQ21405R	SW, POWER	
S614	EVQ21405R	SW, V BASS	
S615	EVQ21405R	SW, TIME/EFFECT DWN	
S616	EVQ21405R	SW, TIME/EFFECT UP	
S617	EVQ21405R	SW, REC TIMER	
S618	EVQ21405R	SW, PLAY TIMER	
S619	EVQ21405R	SW, CLOCK/TIMER	
S620	EVQ21405R	SW, SET	
S621	EVQ21405R	SW, EQ ON/FLAT	
S622	EVQ21405R	SW, EQ MODE	
S623	EVQ21405R	SW, SPACE MODE	
S624	EVQ21405R	SW, DISPLAY	
S951	RSH1A89ZD-U	SW, MODE DETECT DK1	
S952	RSH1A90YD-U	SW, TAPE DETECT DK1	
S953	RSH1A90YD-U	SW, CROS DETECT DK1	
S971	RSH1A89ZD-U	SW, MODE DETECT DK2	
S972	RSH1A90YD-U	SW, TAPE DETECT DK2	
S973	RSH1A90YD-U	SW, TAB DETECT DK2	
S974	RSH1A90YD-U	SW, TAB DETECT DK2	
S975	RSH1A90YD-U	SW, CRO2 DETECT DK2	
		<b>CONNECTORS</b>	
CN100	RJS10T4ZA	CONNECTOR (10P)	
CN200	RJS8T4ZA	CONNECTOR (8P)	
CN400	RJT065K15	CONNECTOR (15P)	
CN401	RJS1A5206	CONNECTOR (6P)	[M]
CN500	SJS50778JQ	CONNECTOR (7P)	
CN501	SJS50778JQ	CONNECTOR (7P)	
CN502	SJS50778JQ	CONNECTOR (7P)	

Ref No.	Part No.	Part Name & Description	Remarks	Ref No.	Part No.	Part Name & Description	Remarks
CN503	RJS1A5205	CONNECTOR (5P)	[M]			<b>COMPONENT COMBINATIONS</b>	
CN510	RJS1A1101T1	CONNECTOR (1P)					
CN511	RJS1A1101T1	CONNECTOR (1P)		Z101	EXBF6L306SYV	BLOCK RESISTOR	
CN512	RJS1A1101T1	CONNECTOR (1P)		Z102	EXBF6L306SYV	BLOCK RESISTOR	
CN513	RJS1A1101T1	CONNECTOR (1P)		Z103	EXBF6L306SYV	BLOCK RESISTOR	
CN520	RJS1A1101T1	CONNECTOR (1P)		Z501	BL02RN2R65T2	BEAD CORE	(EG)
CN521	RJS1A1101T1	CONNECTOR (1P)		Z502	BL02RN2R65T2	BEAD CORE	(EG)
CN522	RJS1A1101T1	CONNECTOR (1P)		Z503	BL02RN2R65T2	BEAD CORE	(EG)
CN523	RJS1A1101T1	CONNECTOR (1P)		Z601	RCDHC-278N	REMO-CON SENSOR	
CN524	RJS1A1101T1	CONNECTOR (1P)				<b>OSCILLATORS</b>	
CN525	RJS1A1101T1	CONNECTOR (1P)					
CN526	RJS1A1101T1	CONNECTOR (1P)		X601	RSXZ4M19M01T	4.19MHZ X'TAL	
CN527	RJS1A1101T1	CONNECTOR (1P)		X602	RSXD32K7S02	32.768KHZ X'TAL	[M]
CN528	RJS1A1101T1	CONNECTOR (1P)				<b>DISPLAY TUBE</b>	
CN529	RJS1A1101T1	CONNECTOR (1P)					
CN600A	RJS1A6223-1	CONNECTOR (23P)		FL601	RSL0164-F	FL METER	[M]
CN600B	RJS1A6823	CONNECTOR (23P)				<b>FUSES</b>	
CN601	RJS1A5207	CONNECTOR (7P)					
CP101	RJP5G18ZA	CONNECTOR (5P)		F1	XBA2C10TB0	FUSE	⚠
CP102	RJP4G18ZA	CONNECTOR (4P)		F2	XBA2C08TB0	FUSE	⚠
CP103	RJP3G1ZA	CONNECTOR (3P)		F3	XBA2C08TB0	FUSE	⚠
CP500	RJP7G9YA	CONNECTOR (7P)	[M]			<b>FUSE CLIPS</b>	
CP501	RJP7G9YA	CONNECTOR (7P)	[M]				
CP502	RJP7G9YA	CONNECTOR (7P)	[M]	FC1	EYF52BC	FUSE HOLDER	
J951	RJS7T7ZA	CONNECTOR (DK1-7P)		FC2	EYF52BC	FUSE HOLDER	
J971	RJS10T7ZA	CONNECTOR (DK2-10P)		FC3	EYF52BC	FUSE HOLDER	
		<b>EARTH TERMINALS</b>		FC4	EYF52BC	FUSE HOLDER	
				FC5	EYF52BC	FUSE HOLDER	
E1	SNE1004-1	EARTH PLATE		FC6	EYF52BC	FUSE HOLDER	
E2	SNE1004-1	EARTH PLATE	(EG)			<b>RELAYS</b>	
		<b>COILS &amp; TRANSFORMERS</b>					
				RLY501	RSY0013-0	RELAY	⚠
L103	RLE2B001-1M	TRAP COIL	[M]	RLY502	RSY0013-0	RELAY	⚠
L104	RLE2B001-1M	TRAP COIL	[M]			<b>JACKS</b>	
L201	RL08C002M-T	BIAS OSC COIL					
L202	RLQZB470KT-D	RF CHOKE COIL		JK301	RJH3209N	JK, RCA	[M]
L300	RLQZPR47KT-Y	AXIAL COIL		JK500	SJS9236	JK, AC INLET	(E, EB, EG) ⚠
L500	SLQZ650MH49	AC LINE COIL	⚠	JK500	SJSD16	JK, AC INLET	(GN) ⚠
L501	SLQY07G-40	SP COIL		JK501	RJJ37TK01-C	JK, HP	[M]
L502	SLQY07G-40	SP COIL		JK502	RJR0054	JK, SP TERMINAL	
L601	RLQZP3R3KT-Y	AXIAL COIL					
T501	RTP1M3B005	TRANSFORMER	[M] ⚠				

# RESISTORS & CAPACITORS

Notes : \* Capacitor values are in microfarads ( $\mu\text{F}$ ) unless specified otherwise, P=Pico-farads (pF), F=Farads.  
 \* Resistance values are in ohms, unless specified otherwise, 1K=1,000 (OHM).  
 \* Bracketed indications in Ref. No. columns specify the area (Refer to the first page for area).  
 Parts without these indications can be used for all areas.  
 \* [M] Indicates in the values & remarks column indicates parts supplied by MESA

Ref. No.	Part No.	Values & Remarks	Ref. No.	Part No.	Values & Remarks	Ref. No.	Part No.	Values & Remarks
		<b>RESISTORS</b>						
R101	ERD25TJ334T	330K 1/4W	R158	ERDS2TJ221T	220 1/4W	R232	ERDS2TJ222T	2.2K 1/4W
R102	ERDS2TJ104T	100K 1/4W	R159	ERDS2TJ222T	2.2K 1/4W	R233	ERD25TJ222T	2.2K 1/4W
R103	ERDS2TJ153T	15K 1/4W	R160	ERDS2TJ222T	2.2K 1/4W	R234	ERDS2TJ472T	4.7K 1/4W
R104	ERDS2TJ153T	15K 1/4W	R161	ERDS2TJ472T	4.7K 1/4W	R235	ERDS2TJ104T	100K 1/4W
R105	ERDS2TJ271T	270 1/4W	R162	ERDS2TJ472T	4.7K 1/4W	R236	ERDS2TJ104T	100K 1/4W
R106	ERD25TJ222T	2.2K 1/4W	R163	ERDS2TJ433T	43K 1/4W	R300	ERDS2TJ102T	1K 1/4W
R107	ERDS2TJ330T	33 1/4W	R169	ERDS2TJ102T	1K 1/4W	R301	ERDS2TJ183T	18K 1/4W
R108	ERDS2TJ330T	33 1/4W	R170	ERDS2TJ102T	1K 1/4W	R302	ERDS2TJ183T	18K 1/4W
R109	ERDS2TJ392T	3.9K 1/4W	R172	ERDS2TJ331T	330 1/4W	R303	ERDS2TJ223T	22K 1/4W
R110	ERDS2TJ392T	3.9K 1/4W	R173	ERDS2TJ103T	10K 1/4W	R304	ERDS2TJ223T	22K 1/4W
R111	ERDS2TJ222T	2.2K 1/4W	R174	ERDS2TJ103T	10K 1/4W	R305	ERDS2TJ472T	4.7K 1/4W
R112	ERDS2TJ222T	2.2K 1/4W	R176	ERDS2TJ103T	10K 1/4W	R306	ERDS2TJ472T	4.7K 1/4W
R113	ERDS2TJ122T	1.2K 1/4W	R177	ERDS2TJ682T	6.8K 1/4W	R307	ERDS2TJ102T	1K 1/4W
R114	ERDS2TJ122T	1.2K 1/4W	R178	ERDS2TJ1R2T	1.2 1/4W	R308	ERDS2TJ102T	1K 1/4W
R115	ERDS2TJ225T	2.2M 1/4W	R179	ERDS2TJ472T	4.7K 1/4W	R309	ERDS2TJ182T	1.8K 1/4W
R116	ERDS2TJ225T	2.2M 1/4W	R180	ERDS2TJ472T	4.7K 1/4W	R310	ERDS2TJ182T	1.8K 1/4W
R117	ERDS2TJ105T	1M 1/4W	R181	ERD25TJ332T	3.3K 1/4W	R311	ERDS2TJ273T	27K 1/4W
R118	ERDS2TJ105T	1M 1/4W	R182	ERDS2TJ1R0T	1 1/4W	R312	ERDS2TJ273T	27K 1/4W
R121	ERDS2TJ124T	120K 1/4W	R183	ERDS2TJ104T	100K 1/4W	R313	ERDS2TJ332T	3.3K 1/4W
R122	ERDS2TJ124T	120K 1/4W	R184	ERDS2TJ104T	100K 1/4W	R314	ERDS2TJ332T	3.3K 1/4W
R123	ERDS2TJ473T	47K 1/4W	R185	ERDS2TJ104T	100K 1/4W	R315	ERDS2TJ822T	8.2K 1/4W
R124	ERDS2TJ473T	47K 1/4W	R186	ERDS2TJ102T	1K 1/4W	R316	ERDS2TJ822T	8.2K 1/4W
R125	ERDS2TJ472T	4.7K 1/4W	R188	ERDS2TJ102T	1K 1/4W	R317	ERDS2TJ332T	3.3K 1/4W
R126	ERDS2TJ472T	4.7K 1/4W	R189	ERDS2TJ472T	4.7K 1/4W	R318	ERDS2TJ332T	3.3K 1/4W
R127	ERDS2TJ392T	3.9K 1/4W	R200	ERDS2TJ221T	220 1/4W	R319	ERDS2TJ821T	820 1/4W
R128	ERDS2TJ392T	3.9K 1/4W	R201	ERDS2TJ2R7T	2.7 1/4W	R320	ERDS2TJ821T	820 1/4W
R131	ERDS2TJ823T	82K 1/4W	R202	ERDS2TJ562T	5.6K 1/4W	R321	ERDS2TJ682T	6.8K 1/4W
R132	ERDS2TJ335T	3.3M 1/4W	R203	ERDS2TJ153T	15K 1/4W	R322	ERDS2TJ682T	6.8K 1/4W
R133	ERDS2TJ332T	3.3K 1/4W	R204	ERDS2TJ123T	12K 1/4W	R329	ERDS2TJ332T	3.3K 1/4W
R134	ERDS2TJ474T	470K 1/4W	R205	ERDS2TJ334T	330K 1/4W	R330	ERDS2TJ332T	3.3K 1/4W
R137	ERD25TJ103T	10K 1/4W	R206	ERDS2TJ221T	220 1/4W	R331	ERDS2TJ105T	1M 1/4W
R138	ERD25TJ103T	10K 1/4W	R207	ERDS2TJ2R7T	2.7 1/4W	R332	ERDS2TJ105T	1M 1/4W
R139	ERDS2TJ103T	10K 1/4W	R208	ERDS2TJ123T	12K 1/4W	R333	ERDS2TJ272T	2.7K 1/4W
R141	ERDS2TJ682T	6.8K 1/4W	R209	ERDS2TJ123T	12K 1/4W	R334	ERDS2TJ272T	2.7K 1/4W
R142	ERDS2TJ682T	6.8K 1/4W	R210	ERDS2TJ272T	2.7K 1/4W	R335	ERDS2TJ123T	12K 1/4W
R145	ERDS2TJ103T	10K 1/4W	R211	ERDS2TJ334T	330K 1/4W	R336	ERDS2TJ123T	12K 1/4W
R146	ERDS2TJ103T	10K 1/4W	R212	ERDS2TJ123T	12K 1/4W	R337	ERDS2TJ223T	22K 1/4W
R149	ERDS2TJ272T	2.7K 1/4W	R213	ERDS2TJ152T	1.5K 1/4W	R338	ERDS2TJ223T	22K 1/4W
R150	ERDS2TJ272T	2.7K 1/4W	R220	ERDS2TJ472T	4.7K 1/4W	R339	ERDS2TJ102T	1K 1/4W
R151	ERDS2TJ105T	1M 1/4W	R221	ERDS2TJ2R7T	2.7 1/4W	R340	ERDS2TJ102T	1K 1/4W
R152	ERDS2TJ105T	1M 1/4W	R225	ERDS2TJ2R7T	2.7 1/4W	R341	ERDS2TJ153T	15K 1/4W
R153	ERDS2TJ102T	1K 1/4W	R226	ERDS2TJ102T	1K 1/4W	R342	ERDS2TJ153T	15K 1/4W
R154	ERDS2TJ102T	1K 1/4W	R227	ERDS2TJ102T	1K 1/4W	R343	ERDS2TJ824T	820K 1/4W
R155	ERDS2TJ221T	220 1/4W	R228	ERDS2TJ472T	4.7K 1/4W	R344	ERDS2TJ332T	3.3K 1/4W
R156	ERDS2TJ221T	220 1/4W	R229	ERDS2TJ103T	10K 1/4W	R345	ERDS2TJ822T	8.2K 1/4W
			R230	ERDS2TJ472T	4.7K 1/4W	R346	ERDS2TJ222T	2.2K 1/4W
			R231	ERDS2TJ472T	4.7K 1/4W	R347	ERDS2TJ183T	18K 1/4W



Ref. No.	Part No.	Values & Remarks	Ref. No.	Part No.	Values & Remarks	Ref. No.	Part No.	Values & Remarks
R348	ERDS2TJ103T	10K 1/4W	R423	ERDS2TJ102T	1K 1/4W	R541	ERDS2TJ820T	82 1/4W
R351	ERDS2TJ273T	27K 1/4W	R424	ERDS2TJ102T	1K 1/4W	R542	ERDS2TJ820T	82 1/4W
R352	ERDS2TJ273T	27K 1/4W	R425	ERDS2TJ105T	1M 1/4W	R543	ERDS2TJ820T	82 1/4W
R357	ERDS2TJ103T	10K 1/4W	R426	ERDS2TJ105T	1M 1/4W	R545	ERDS1FVJ4R7T	4.7 1/2W
R361	ERDS2TJ104T	100K 1/4W	R427	ERDS2TJ105T	1M 1/4W	R546	ERDS1FVJ4R7T	4.7 1/2W
R362	ERDS2TJ104T	100K 1/4W	R428	ERDS2TJ105T	1M 1/4W	R548	ERDS2TJ102T	1K 1/4W
R363	ERDS2TJ102T	1K 1/4W	R432	ERDS2TJ473T	47K 1/4W	R549	ERDS2TJ151T	150 1/4W
R364	ERDS2TJ102T	1K 1/4W	R435	ERDS2TJ152T	1.5K 1/4W	R550	ERDS2TJ681T	680 1/4W
R365	ERDS2TJ222T	2.2K 1/4W	R436	ERDS2TJ152T	1.5K 1/4W	R551	ERDS1FVJ330T	33 1/2W ▲
R366	ERDS2TJ222T	2.2K 1/4W	R437	ERDS2TJ225T	2.2M 1/4W	R552	ERDS1FVJ330T	33 1/2W ▲
R369	ERDS2TJ682T	6.8K 1/4W	R438	ERDS2TJ225T	2.2M 1/4W	R554	ERDS2TJ471T	470 1/4W
R370	ERDS2TJ682T	6.8K 1/4W	R439	ERDS2TJ225T	2.2M 1/4W	R555	ERDS2TJ152T	1.5K 1/4W
R371	ERDS2TJ332T	3.3K 1/4W	R440	ERDS2TJ225T	2.2M 1/4W	R556	ERD2FCVJ4R7T	4.7 1/4W
R372	ERDS2TJ332T	3.3K 1/4W	R441	ERDS2TJ102T	1K 1/4W	R557	ERDS1FVJ390T	39 1/2W ▲
R373	ERDS2TJ102T	1K 1/4W	R442	ERDS2TJ102T	1K 1/4W	R559	ERDS1FVJ3R3T	3.3 1/2W ▲
R374	ERDS2TJ102T	1K 1/4W	R443	ERDS2TJ101T	100 1/4W	R561	ERD2FCVG220T	22 1/4W ▲
R381	ERDS2TJ222T	2.2K 1/4W	R444	ERDS2TJ101T	100 1/4W	R562	ERDS2TJ151T	150 1/4W
R382	ERDS1FVJ680T	68 1/2W	R501	ERDS2TJ102T	1K 1/4W	R563	ERDS2TJ823T	82K 1/4W
R383	ERDS2TJ222T	2.2K 1/4W	R502	ERDS2TJ102T	1K 1/4W	R564	ERDS2TJ124T	120K 1/4W
R384	ERDS2TJ151T	150 1/4W	R503	ERDS2TJ332T	3.3K 1/4W	R565	ERDS2TJ563T	56K 1/4W
R385	ERDS2TJ105T	1M 1/4W	R504	ERDS2TJ332T	3.3K 1/4W	R601	ERDS2TJ101T	100 1/4W
R386	ERDS2TJ105T	1M 1/4W	R505	ERDS2TJ104T	100K 1/4W	R602	ERDS2TJ101T	100 1/4W
R387	ERDS2TJ100T	10 1/4W	R506	ERDS2TJ104T	100K 1/4W	R603	ERDS2TJ104T	100K 1/4W
R388	ERDS2TJ103T	10K 1/4W	R507	ERDS2TJ104T	100K 1/4W	R604	ERDS2TJ561T	560 1/4W
R389	ERDS2TJ102T	1K 1/4W	R508	ERDS2TJ104T	100K 1/4W	R605	ERDS2TJ104T	100K 1/4W
R390	ERDS2TJ102T	1K 1/4W	R509	ERD25FVJ470T	47 1/4W	R607	ERDS2TJ473T	47K 1/4W
R391	ERDS2TJ153T	15K 1/4W	R510	ERDS1FVJ222T	2.2K 1/2W ▲	R608	ERDS2TJ473T	47K 1/4W
R392	ERDS2TJ153T	15K 1/4W	R511	ERDS2TJ563T	56K 1/4W	R611	ERDS2TJ104T	100K 1/4W
R393	ERDS2TJ104T	100K 1/4W	R512	ERDS2TJ103T	10K 1/4W	R612	ERDS2TJ102T	1K 1/4W
R394	ERDS2TJ104T	100K 1/4W	R513	ERD25FVJ820T	82 1/4W	R613	ERDS2TJ102T	1K 1/4W
R395	ERDS2TJ682T	6.8K 1/4W	R514	ERDS2TJ221T	220 1/4W	R614	ERDS2TJ102T	1K 1/4W
R396	ERDS2TJ682T	6.8K 1/4W	R515	ERDS1FVJ100T	10 1/2W ▲	R615	ERDS2TJ102T	1K 1/4W
R397	ERDS2TJ152T	1.5K 1/4W	R516	ERDS1FVJ100T	10 1/2W ▲	R616	ERDS2TJ102T	1K 1/4W
R398	ERDS2TJ152T	1.5K 1/4W	R517	ERDS2TJ100T	10 1/4W	R617	ERDS2TJ102T	1K 1/4W
R399	ERDS2TJ823T	82K 1/4W	R518	ERDS2TJ100T	10 1/4W	R618	ERDS2TJ102T	1K 1/4W
R400	ERDS2TJ823T	82K 1/4W	R519	ERDS2TJ334T	330K 1/4W	R619	ERDS2TJ104T	100K 1/4W
R401	ERDS2TJ224T	220K 1/4W	R520	ERDS2TJ820T	82 1/4W	R620	ERDS2TJ104T	100K 1/4W
R402	ERDS2TJ224T	220K 1/4W	R521	ERDS1FVJ330T	33 1/2W ▲	R621	ERDS2TJ104T	100K 1/4W
R403	ERDS2TJ223T	22K 1/4W	R522	ERDS1FVJ330T	33 1/2W ▲	R622	ERDS2TJ104T	100K 1/4W
R404	ERDS2TJ223T	22K 1/4W	R523	ERDS1FVJ272T	2.7K 1/2W ▲	R623	ERDS2TJ472T	4.7K 1/4W
R405	ERDS2TJ123T	12K 1/4W	R524	ERDS1FVJ330T	33 1/2W ▲	R624	ERDS2TJ472T	4.7K 1/4W
R406	ERDS2TJ123T	12K 1/4W	R525	ERDS2TJ103T	10K 1/4W	R625	ERDS2TJ681T	680 1/4W
R407	ERDS2TJ223T	22K 1/4W	R526	ERDS2TJ151T	150 1/4W ▲	R626	ERDS2TJ334T	330K 1/4W
R408	ERDS2TJ223T	22K 1/4W	R527	ERDS1FVJ182T	1.8K 1/2W ▲	R627	ERDS2TJ333T	33K 1/4W
R411	ERDS2TJ392T	3.9K 1/4W	R529	ERDS2TJ151T	150 1/4W	R628	ERDS2TJ333T	33K 1/4W
R412	ERDS2TJ392T	3.9K 1/4W	R530	ERDS1FVJ332T	3.3K 1/2W ▲	R629	ERDS2TJ182T	1.8K 1/4W
R413	ERDS2TJ102T	1K 1/4W	R531	ERDS2TJ103T	10K 1/4W	R630	ERDS2TJ182T	1.8K 1/4W
R414	ERDS2TJ102T	1K 1/4W	R533	ERDS1FVJ330T	33 1/2W ▲	R631	ERDS2TJ334T	330K 1/4W
R415	ERDS2TJ471T	470 1/4W	R534	ERDS1FVJ820T	82 1/2W ▲	R632	ERDS2TJ184T	180K 1/4W
R416	ERDS2TJ471T	470 1/4W	R535	ERDS1FVJ820T	82 1/2W ▲	R633	ERDS2TJ563T	56K 1/4W
R419	ERDS2TJ102T	1K 1/4W	R536	ERDS1FVJ820T	82 1/2W ▲	R634	ERDS2TJ393T	39K 1/4W
R420	ERDS2TJ102T	1K 1/4W	R538	ERDS2TJ151T	150 1/4W	R635	ERDS2TJ153T	15K 1/4W
R421	ERDS2TJ151T	150 1/4W	R539	ERDS2TJ332T	3.3K 1/4W	R636	ERDS2TJ103T	10K 1/4W
R422	ERDS2TJ151T	150 1/4W	R540	ERDS2TJ820T	82 1/4W	R637	ERDS2TJ823T	82K 1/4W

Ref. No.	Part No.	Values & Remarks	Ref. No.	Part No.	Values & Remarks	Ref. No.	Part No.	Values & Remarks
R638	ERDS2TJ563T	56K 1/4W	R696	ERDS2TJ104T	100K 1/4W	C156	ECEA1CKA100B	10 16V
R639	ERDS2TJ182T	1.8K 1/4W	R697	ERDS2TJ103T	10K 1/4W	C157	ECBT1H681KB5	680P 50V
R640	ERDS2TJ182T	1.8K 1/4W	R698	ERDS2TJ104T	100K 1/4W	C158	ECBT1H681KB5	680P 50V
R641	ERDS2TJ333T	33K 1/4W				C159	ECBT1C682KR5	6800P 16V
R642	ERDS2TJ333T	33K 1/4W			CAPACITORS	C160	ECBT1C682KR5	6800P 16V
R643	ERDS2TJ103T	10K 1/4W	C101	ECBT1H821KB5	820P 50V	C161	ECEA1CU101B	100 16V
R644	ERDS2TJ472T	4.7K 1/4W	C102	ECBT1H821KB5	820P 50V	C162	ECEA0JU471B	470 6.3V
R645	ERDS2TJ106T	10M 1/4W	C104	ECFR1C223MR	0.022 16V	C163	ECEA1HKA010B	1 50V
R646	ERDS2TJ820T	82 1/4W	C105	ECBT1H471KB5	470P 50V	C164	ECEA1HKA010B	1 50V
R647	ERDS2TJ104T	100K 1/4W	C106	ECBT1H471KB5	470P 50V	C165	ECEA1CKA100B	10 16V
R648	ERDS2TJ104T	100K 1/4W	C108	ECEA1AU330B	33 10V	C166	ECEA1CKA100B	10 16V
R649	ERDS2TJ102T	1K 1/4W	C109	ECEA1AU101B	100 10V	C167	ECEA50ZR68B	0.68 50V
R650	ERDS2TJ102T	1K 1/4W	C110	ECFR1E104ZF5	0.1 25V	C168	ECEA50ZR68B	0.68 50V
R651	ERDS2TJ102T	1K 1/4W	C111	ECBT1H331KB5	330P 50V	C169	ECEA1EU4R7B	4.7 25V
R652	ERDS2TJ331T	330 1/4W	C112	ECBT1H331KB5	330P 50V	C170	ECEA1EU4R7B	4.7 25V
R653	ERDS2TJ472T	4.7K 1/4W	C113	ECEA0JU221B	220 6.3V	C171	ECEA1CKA100B	10 16V
R655	ERDS2TJ104T	100K 1/4W	C114	ECEA0JU221B	220 6.3V	C172	ECEA1CU220B	22 16V
R656	ERDS2TJ104T	100K 1/4W	C115	ECFR1C333JR	0.033 16V	C173	ECBT1C103MS5	0.01 16V
R660	ERDS2TJ184T	180K 1/4W	C116	ECFR1C333JR	0.033 16V	C174	ECEA1EU4R7B	4.7 25V
R661	ERDS2TJ682T	6.8K 1/4W	C117	ECEA1HKA010B	1 50V	C175	ECEA1CU101B	100 16V
R662	ERDS2TJ682T	6.8K 1/4W	C118	ECEA1HKA010B	1 50V	C176	ECQV1H473JZ3	0.047 50V
R663	ERDS2TJ182T	1.8K 1/4W	C119	ECEA1EU4R7B	4.7 25V	C177	ECBT1H102KB5	1000P 50V
R664	ERDS2TJ182T	1.8K 1/4W	C120	ECEA1EU4R7B	4.7 25V	C178	ECBT1H102KB5	1000P 50V
R665	ERDS2TJ123T	12K 1/4W	C121	ECEA1HKA010B	1 50V	C179	ECBT1C103MS5	0.01 16V
R666	ERDS2TJ123T	12K 1/4W	C122	ECEA1HKA010B	1 50V	C180	ECFR1C103MR	0.01 16V
R667	ERDS2TJ122T	1.2K 1/4W	C123	ECBT1H102KB5	1000P 50V	C181	ECBT1C103MS5	0.01 16V
R668	ERDS2TJ271T	270 1/4W	C124	ECBT1H102KB5	1000P 50V	C182	ECEA1EU4R7B	4.7 25V
R669	ERDS2TJ123T	12K 1/4W	C125	ECFR1C473MR	0.047 16V	C183	ECQV1H474JZ3	0.47 50V
R670	ERDS2TJ102T	1K 1/4W	C126	ECFR1C473MR	0.047 16V	C184	ECQP1152JZ	1500P 100V
R671	ERDS2TJ820T	82 1/4W	C127	ECBT1C332MR5	3300P 16V	C185	ECQP1472JZT	4700P 100V
R672	ERDS2TJ820T	82 1/4W	C128	ECBT1C332MR5	3300P 16V	C186	ECEA1AU470B	47 10V
R673	ERDS2TJ820T	82 1/4W	C129	ECBT1H151KB5	150P 50V	C187	ECBT1H471KB5	470P 50V
R674	ERDS2TJ820T	82 1/4W	C130	ECBT1H151KB5	150P 50V	C188	ECBT1H471KB5	470P 50V
R675	ERDS2TJ820T	82 1/4W	C131	ECBT1H221KB5	220P 50V	C189	ECQP1272JZ	2700P 100V
R676	ERDS2TJ820T	82 1/4W	C132	ECBT1H221KB5	220P 50V	C190	ECBT1C103MS5	0.01 16V
R677	ERDS2TJ820T	82 1/4W	C133	ECEA1HKS010B	1 50V	C201	ECEA1CU101B	100 16V
R678	ERDS2TJ820T	82 1/4W	C134	ECEA1HKA010B	1 50V	C202	ECFR1E104ZF5	0.1 25V
R679	ERDS2TJ102T	1K 1/4W	C137	ECFR1C183KR	0.018 16V	C302	ECBT1E103ZF5	0.01 25V
R680	ERDS2TJ104T	100K 1/4W	C138	ECFR1C183KR	0.018 16V	C303	ECBT1E103ZF5	0.01 25V
R681	ERDS2TJ104T	100K 1/4W	C139	ECEA1HU2R2B	2.2 50V	C305	ECBT1C682KR5	6800P 16V
R682	ERDS2TJ104T	100K 1/4W	C140	ECEA1CKA100B	10 16V	C306	ECBT1C682KR5	6800P 16V
R683	ERDS2TJ104T	100K 1/4W	C141	ECEA1HU0R1B	0.1 50V	C307	ECBT1C222KR5	2200P 16V
R684	ERDS2TJ104T	100K 1/4W	C142	ECFR1C223MR	0.022 16V	C308	ECBT1C222KR5	2200P 16V
R685	ERDS2TJ104T	100K 1/4W	C143	ECEA1HKA010B	1 50V	C309	ECFR1C223KR	0.022 16V
R686	ERDS2TJ103T	10K 1/4W	C144	ECEA1HKA010B	1 50V	C310	ECFR1C223KR	0.022 16V
R687	ERDS2TJ102T	1K 1/4W	C145	ECEA1CKA100B	10 16V	C311	ECBT1C682KR5	6800P 16V
R688	ERDS2TJ102T	1K 1/4W	C146	ECEA1CKA100B	10 16V	C312	ECBT1C682KR5	6800P 16V
R689	ERDS2TJ104T	100K 1/4W	C150	ECEA1AU470B	47 10V	C313	ECEA1HKA0R1B	0.1 50V
R690	ERDS2TJ104T	100K 1/4W	C151	ECEA1HKA010B	1 50V	C314	ECEA1HKA0R1B	0.1 50V
R691	ERDS2TJ104T	100K 1/4W	C152	ECEA1HKA010B	1 50V	C315	ECFR1C333KR	0.033 16V
R692	ERDS2TJ104T	100K 1/4W	C153	ECBT1H102KB5	1000P 50V	C316	ECFR1C333KR	0.033 16V
R693	ERDS2TJ104T	100K 1/4W	C154	ECBT1H102KB5	1000P 50V	C317	ECEA1HKR15B	0.15 50V
R694	ERDS2TJ104T	100K 1/4W	C155	ECEA1CKA100B	10 16V	C318	ECEA1HKR15B	0.15 50V
R695	ERDS2TJ104T	100K 1/4W				C319	ECFR1C823MR	0.082 16V

Ref. No.	Part No.	Values & Remarks	Ref. No.	Part No.	Values & Remarks	Ref. No.	Part No.	Values & Remarks
C320	ECFR1C823MR	0.082 16V	C378	ECBT1E103ZE5	0.01 25V	C531	ECKR1H103ZF5	0.01 50V $\Delta$
C321	ECBT1E103ZF5	0.01 25V	C379	ECBT1E103ZF5	0.01 25V	C532	ECEA0JU101B	100 6.3V
C322	ECBT1H102KB5	1000P 50V	C380	ECEA1CKA100B	10 16V	C533	ECKR1H103ZF5	0.01 50V $\Delta$
C323	ECBT1H101KB5	100P 50V	C381	ECFR1C473KR	0.047 16V	C535	ECEA1CU101B	100 16V $\Delta$
C324	ECEA1AU471B	470 10V	C389	ECBT1E103ZF5	0.01 25V	C536	ECKR1H103ZF5	0.01 50V $\Delta$
C325	ECEA1CKA100B	10 16V	C390	ECEA1CKA100B	10 16V	C537	ECEA1CKA101B	100 16V $\Delta$
C326	ECEA1CKA100B	10 16V	C391	ECEA1AKA101B	100 10V	C538	ECKR1H103ZF5	0.01 50V $\Delta$
C327	ECBT1C152MR5	1500P 16V	C392	ECEA1HKA2R2B	2.2 50V	C539	ECKR1H103ZF5	0.01 50V
C328	ECBT1C152MR5	1500P 16V	C393	ECEA1HKAR68B	0.68 50V	C540	ECKR1H103ZF5	0.01 50V(EG)
C329	ECBT1H681KB5	680P 50V	C394	ECEA1HKAR68B	0.68 50V	C541	ECEA1HU332UE	3300 50V
C330	ECBT1H681KB5	680P 50V	C395	ECEA1HKAR68B	0.68 50V	C542	ECEA1HU332UE	3300 50V
C331	ECEA1HKAR47B	0.47 50V	C396	ECEA1HKAR68B	0.68 50V	C543	ECKR1H103ZF5	0.01 50V(EG)
C332	ECEA1HKAR47B	0.47 50V	C399	ECEA1HKA4R7B	4.7 50V	C544	ECKR1H103ZF5	0.01 50V(EG)
C333	ECEA1HKAR22B	0.22 50V	C400	ECEA1HKA4R7B	4.7 50V	C547	ECEA1HKA220B	22 50V
C334	ECEA1HKAR22B	0.22 50V	C401	ECEA1HKA4R7B	4.7 50V	C548	ECKR1H103ZF5	0.01 50V
C335	ECFR1C123KR	0.012 16V	C402	ECEA1HKA4R7B	4.7 50V	C549	ECEA1HU101B	100 50V
C336	ECFR1C123KR	0.012 16V	C403	ECBT1C332KR5	3300P 16V	C550	ECQE1224KZ	0.22 100V
C337	ECEA1HKA2R2B	2.2 50V	C404	ECBT1C332KR5	3300P 16V	C551	ECBT1H101KB5	100P 50V(EG)
C338	ECEA1HKA2R2B	2.2 50V	C405	ECEA1CKA100B	10 16V	C552	ECBT1H101KB5	100P 50V(EG)
C339	ECEA1CKA100B	10 16V	C406	ECEA1CKA100B	10 16V	C553	ECKR1H103ZF5	0.01 50V(E,EB,GN)
C340	ECEA1CKA100B	10 16V	C410	ECEA1HKA010B	1 50V	C553	ECKR1H223ZF5	0.022 50V(EG)
C341	ECBT1H820KB5	82P 50V	C411	ECEA1CKA100B	10 16V	C554	ECKR1H103ZF5	0.01 50V(E,EB,GN)
C342	ECBT1H820KB5	82P 50V	C412	ECEA1CKA100B	10 16V	C554	ECKR1H223ZF5	0.022 50V(EG)
C343	ECBT1H102KB5	1000P 50V	C421	ECBT1H101KB5	100P 50V	C555	ECBT1H101KB5	100P 50V(EG)
C344	ECBT1H102KB5	1000P 50V	C422	ECBT1H101KB5	100P 50V	C556	ECBT1H101KB5	100P 50V(EG)
C347	ECBT1H101KB5	100P 50V	C423	ECBT1H181KB5	180P 50V	C557	ECBT1H101KB5	100P 50V(EG)
C348	ECBT1H101KB5	100P 50V	C424	ECBT1H181KB5	180P 50V	C559	ECBT1C103MS5	0.01 16V(EG)
C349	ECBT1H101KB5	100P 50V	C501	ECEA1HKA0R1B	0.1 50V	C561	ECBT1H101KB5	100P 50V(EG)
C350	ECBT1H101KB5	100P 50V	C502	ECEA1HKA0R1B	0.1 50V	C562	ECBT1H101KB5	100P 50V(EG)
C351	ECEA1HKA010B	1 50V	C503	ECBT1H331KB5	330P 50V	C601	ECEA1HKS3R3B	3.3 50V
C352	ECEA1HKA010B	1 50V	C504	ECBT1H331KB5	330P 50V	C602	ECEA1HKS3R3B	3.3 50V
C353	ECEA1HKA010B	1 50V	C505	ECBT1H821KB5	820P 50V	C603	ECEA1HKS010B	1 50V
C354	ECEA1HKA010B	1 50V	C506	ECBT1H821KB5	820P 50V	C604	ECEA0JKA101B	100 6.3V
C355	ECEA1CKA100B	10 16V	C507	ECBT1H150J5	15P 50V	C605	ECBT1H102KB5	1000P 50V
C356	ECEA1CKA100B	10 16V	C508	ECBT1H150J5	15P 50V	C606	ECBT1H561KB5	560P 50V
C357	ECBT1H391KB5	390P 50V	C509	ECEA1HU330B	33 50V	C607	ECBT1H561KB5	560P 50V
C358	ECBT1H391KB5	390P 50V	C510	ECEA2AU100B	10 100V	C608	ECBT1H561KB5	560P 50V
C359	ECEA0JKA101B	100 6.3V	C511	ECKR1H473ZF5	0.047 50V	C609	ECEA0JKS470B	47 6.3V
C360	ECEA0JKA101B	100 6.3V	C512	ECKR1H473ZF5	0.047 50V	C610	ECEA0JU102B	1000 6.3V
C361	ECBT1H271KB5	270P 50V	C513	ECEA1HKA010B	1 50V	C611	ECBT1H102KB5	1000P 50V
C362	ECBT1H271KB5	270P 50V	C514	ECEA1HKA010B	1 50V	C612	ECEA0JU102B	1000 6.3V
C363	ECEA1HKAR47B	0.47 50V	C516	ECKR1H103ZF5	0.01 50V $\Delta$	C613	ECEA1AKA220B	22 10V
C364	ECEA1HKAR47B	0.47 50V	C517	ECKR1H103ZF5	0.01 50V $\Delta$	C614	ECBT1C103MS5	0.01 16V
C365	ECFR1C823MR	0.082 16V	C518	ECKR1H103ZF5	0.01 50V $\Delta$	C617	ECBT1C103MS5	0.01 16V
C366	ECBT1C472KR5	4700P 16V	C519	ECKR1H103ZF5	0.01 50V $\Delta$	C619	ECBT1H102KB5	1000P 50V
C367	ECEA1CN100SB	10 16V	C520	ECEA1CU470B	47 16V	C620	ECBT1H102KB5	1000P 50V
C368	ECFR1C223KR	0.022 16V	C521	ECEA1CU221B	220 16V	C621	ECBT1H680J5	68P 50V
C369	ECEA1HKA010B	1 50V	C523	ECEA0JKA101B	100 6.3V	C622	ECBT1H680J5	68P 50V
C370	ECEA1CKA101B	100 16V	C524	ECKR1H103ZF5	0.01 50V	C623	ECBT1H560J5	56P 50V
C371	ECEA1HKA4R7B	4.7 50V	C525	ECKR1H103ZF5	0.01 50V	C624	ECBT1H560J5	56P 50V
C372	ECEA1CKA100B	10 16V	C526	ECEA1HKA220B	22 50V	C625	ECBT1H220JC5	22P 50V
C375	ECBT1H470J5	47P 50V	C528	ECEA1AKA470B	47 10V	C626	ECBT1H180JC5	18P 50V
C376	ECBT1H470J5	47P 50V	C529	ECKR1H103ZF5	0.01 50V	C627	ECEA1HKA2R2B	2.2 50V
C377	ECBT1H470J5	47P 50V	C530	ECEA1HU102E	1000 50V $\Delta$	C628	ECEA1HKA2R2B	2.2 50V

Ref. No.	Part No.	Values & Remarks
C629	ECFR1C183KR	0.018 16V
C630	ECBT1C562KR5	5600P 16V
C631	ECFR1C183KR	0.018 16V
C632	ECBT1C562KR5	5600P 16V
C633	ECBT1C182KR5	1800P 16V
C634	ECBT1H561KB5	560P 50V
C635	ECBT1C182KR5	1800P 16V
C636	ECBT1H561KB5	560P 50V

Ref. No.	Part No.	Values & Remarks
C637	ECEA1HKA2R2B	2.2 50V
C638	ECEA1HKA2R2B	2.2 50V
C639	ECBT0J223NS5	0.022 6.3V
C640	ECEA1HKS2R2B	0.22 50V
C641	ECBT1C103MS5	0.01 16V
C642	ECBT1H101KB5	100P 50V
C643	ECBT1H101KB5	100P 50V
C644	ECEA1HKS2R2B	0.33 50V

Ref. No.	Part No.	Values & Remarks
C645	ECBT1H220JC5	22P 50V
C646	ECBT1H220JC5	22P 50V
C647	ECBT1H220J5	22P 50V
C651	ECBT1H331KB5	330P 50V
C652	ECBT1H331KB5	330P 50V
C951	ECBT1H101KB5	100P 50V
C971	ECBT1H101KB5	100P 50V

## PACKING MATERIALS & ACCESSORIES

**Notes:** \* Important safety notice:

Components identified by  $\Delta$  mark have special characteristics important for safety.

Furthermore, special parts which have purposes of fire-retardant (resistors), high-quality sound (capacitors), low noise (resistors), etc are used.

When replacing any of these components, be sure to use only manufacturer's specified parts shown in the parts list.

\* The parenthesized indications in the Remarks columns specify the areas. (Refer to the cover page for area)  
 Parts without these indications can be used for all areas.

\* The "(SF)" mark denotes the standard part.

\* Remote Control Unit :

Supply period for three years from terminal of production.

\* [M] Indicates in the Remarks columns indicates parts supplied by MESA.

RefNo.	Part No.	Part Name & Description	Remarks
		<b>PACKING MATERIALS</b>	
P1	RPG1937	GIFT BOX	[M] (E, EG)
P1	RPG1938	GIFT BOX	[M] (GN)
P1	RPG1941	GIFT BOX	[M] (EB)
P2	SPSD155	ACCESSORY CASE	
P3	RPF0100	BAG (SET)	[M]
P4	RPN0761	POLYFOAM	[M]
P5	XZB24X33C04	VINYL BAG	
		<b>ACCESSORIES</b>	
A1	EUR642181	REMOTE CONTROL UNIT	[M]
A2	RJA0019-2K	AC CORD	(SF) (E, EG) $\Delta$
A2	RJA0036-K	AC CORD	(GN) $\Delta$
A2	VJA0733	AC CORD	(SF) (EB) $\Delta$
A4	RQCB0169	SERVICE CENTER LIST	
A6	RFKSUCH80EK	INSTR MANUAL ASS'Y	[M] (E)
A6	RQT2265-E	INSTRUCTION MANUAL	[M] (EG)
A6	RQT2266-B	INSTRUCTION MANUAL	[M] (EB, GN)
A7	SLA9Z5T	LOOP ANT	[M]
A8	SSA270	FM ANT	(E, EB, EG)
A8	SSA272	FM ANT	[M] (GN)
A9	REX0581	BUS CABLE	[M]
A10	XTN3+12AFZ	SCREW	
A11	RMN0244	ANT HOLDER	
A12	SJP9009	ATTACHMENT PLUG	(EB)

RefNo.	Part No.	Part Name & Description	Remarks

# PACKAGING

## SU-CH80 (CASSETTE DECK/AMPLIFIER)

P2 (SPSD155) : ACCESSORY CASE

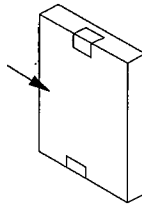
P5 (XZB24X33C04) : VINYL BAG

- A2 (RJA0019-2K) : AC CORD (E, EG)
- (RJA0036-K) : AC CORD (GN)
- (VJA0733) : AC CORD (EB)
- A4 (RQCB0169) : SERVICE CENTER LIST
- A6 (RFKSUCH80EK) : INSTR. MANUAL ASS'Y (E)
- (RQT2265-E) : INSTRUCTION MANUAL (EG)
- (RQT2266-B) : INSTRUCTION MANUAL (EB, GN)
- A8 (SSA270) : FM ANT (E, EB, EG)
- (SSA272) : FM ANT (GN)
- A12 (SJP9009) : ATTACHMENT PLUG (EB)

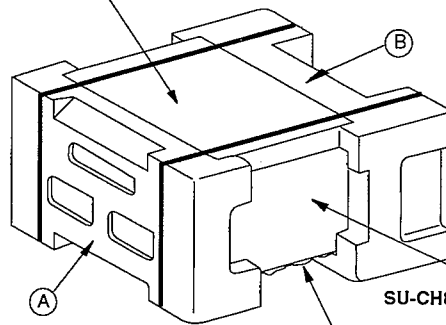
- A1 (EUR642181) : REMOTE CONTROL UNIT
- A9 (REX0581) : BUS CABLE

PREPARED AM LOOP ANT

- A7 (SLA9Z5T) : LOOP ANT
- A10 (XTN3+12AFZ) : SCREW
- A11 (RMN0244) : ANT HOLDER



P2 (SPSD155) : ACCESSORY CASE

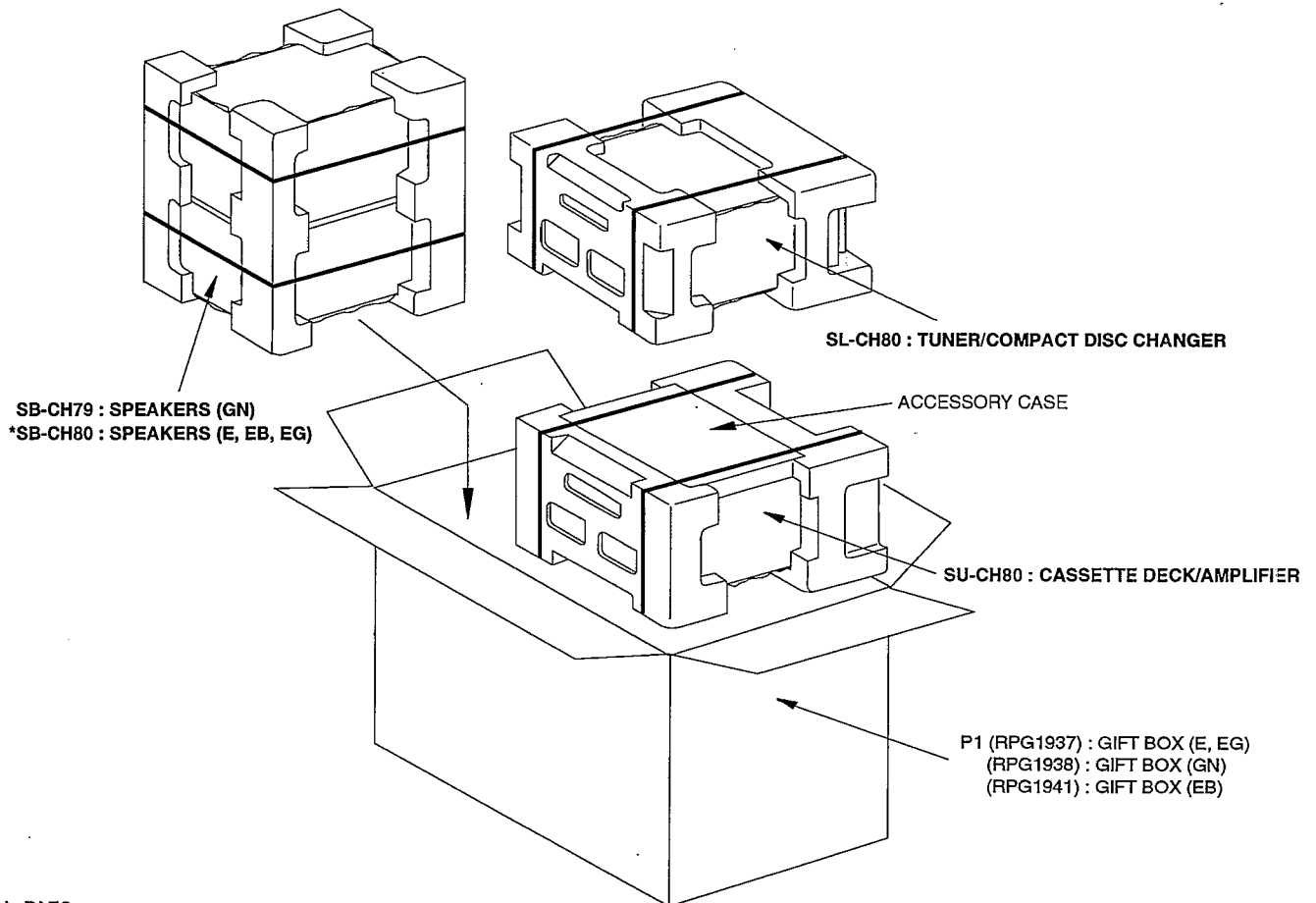


SU-CH80 : CASSETTE DECK/AMPLIFIER

P3 (RPF0100) : BAG (SET)

(A), (B) - P4 (RPN0761) : POLYFOAM

## SC-CH80 (SYSTEM)



\* Made in PAES