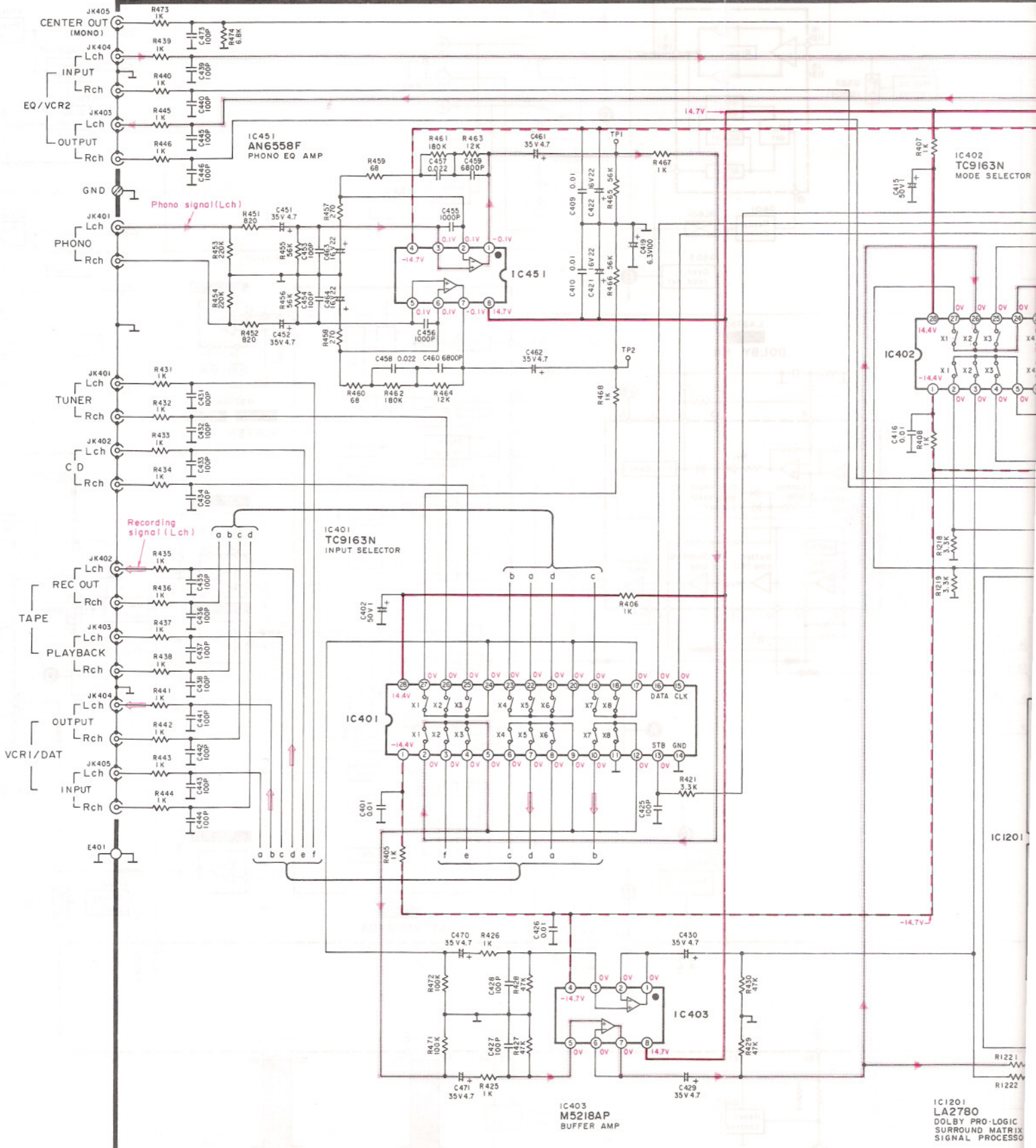


A MAIN CIRCUIT









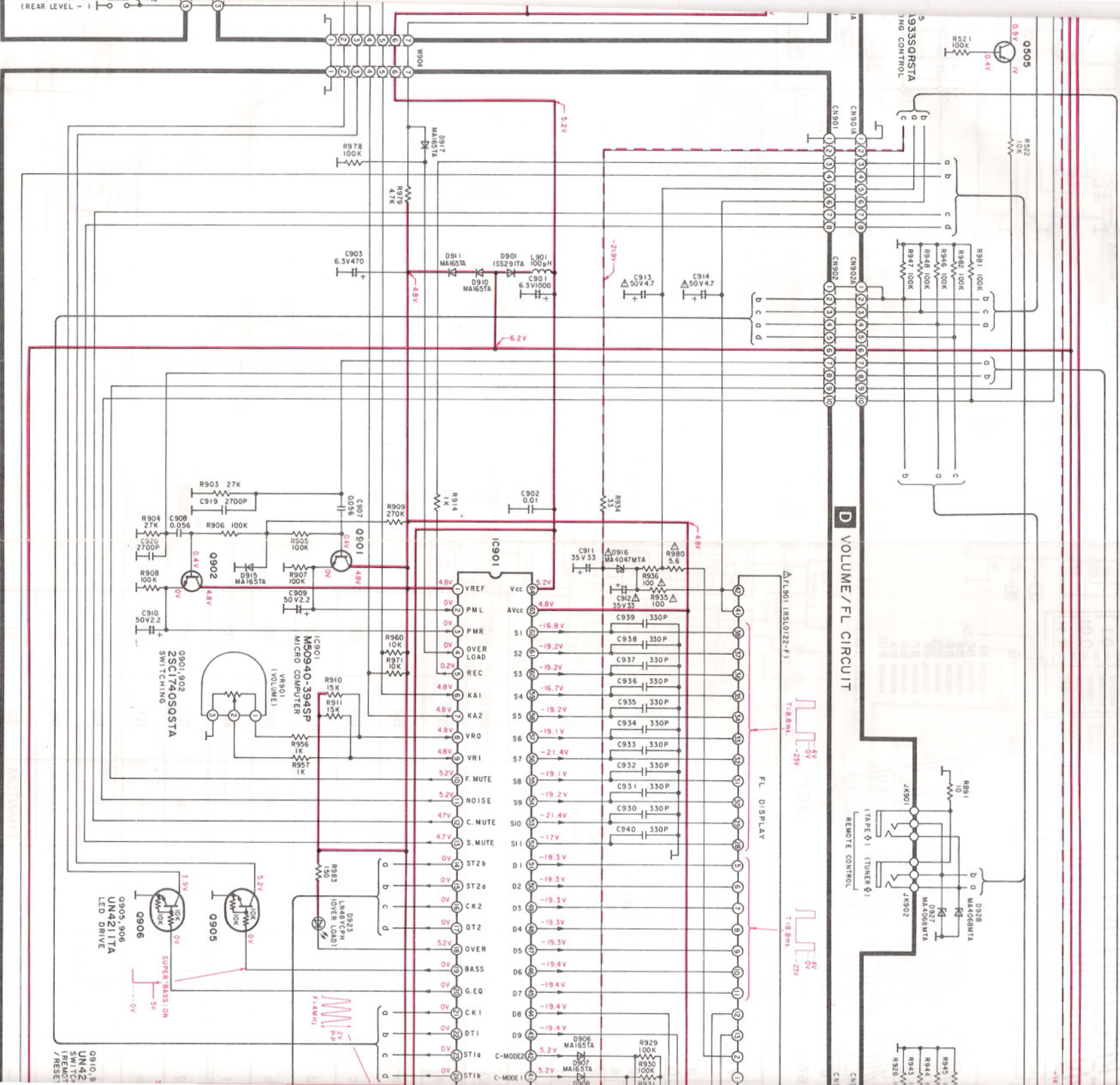
12

13

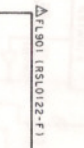
14

15

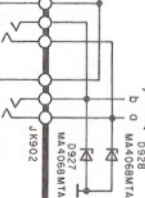
16



D VOLUME/FL CIRCUIT



(TAPE & TUNER) REMOTE CONTROL



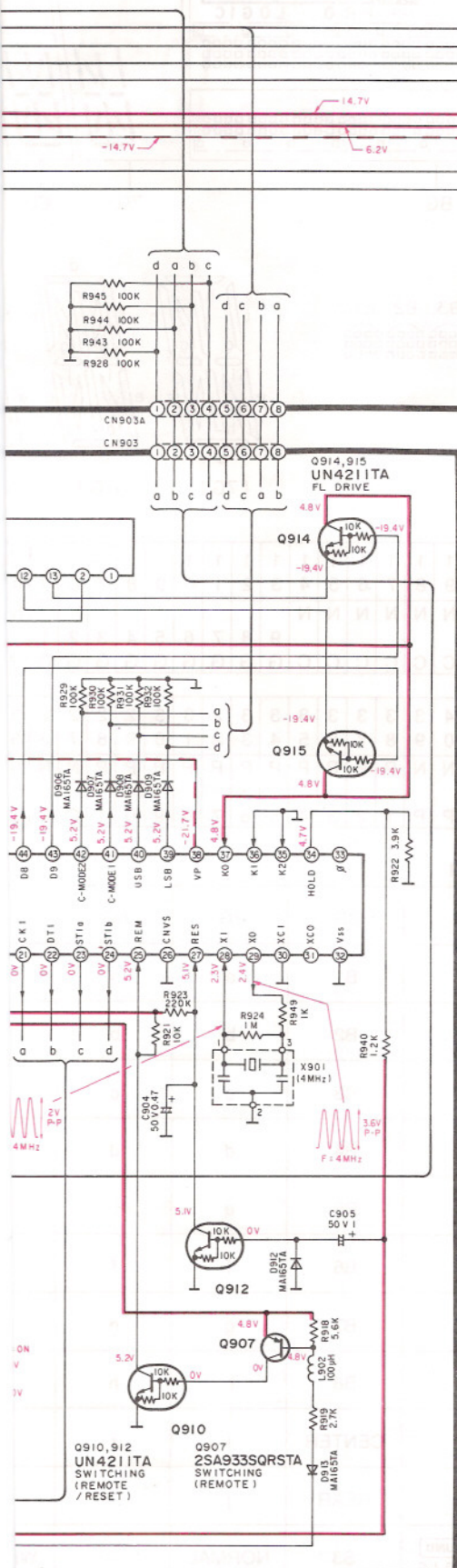
0910 3 UN42 REMOT /RESET

0905 906 UN42 LED DRIVE

0906 SUPER BASS-ON

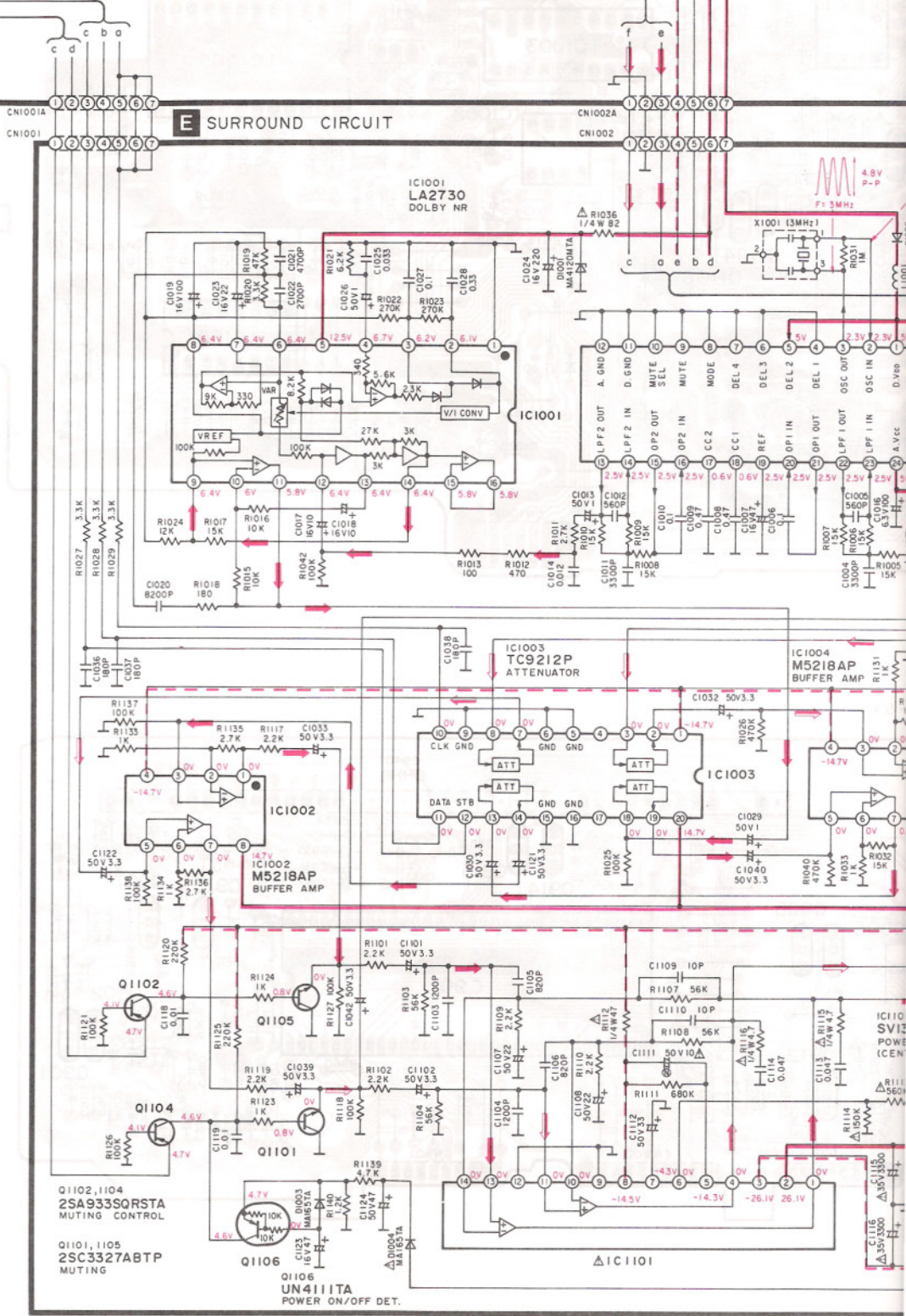
0901, 902 2 SWITCHING







### E SURROUND CIRCUIT



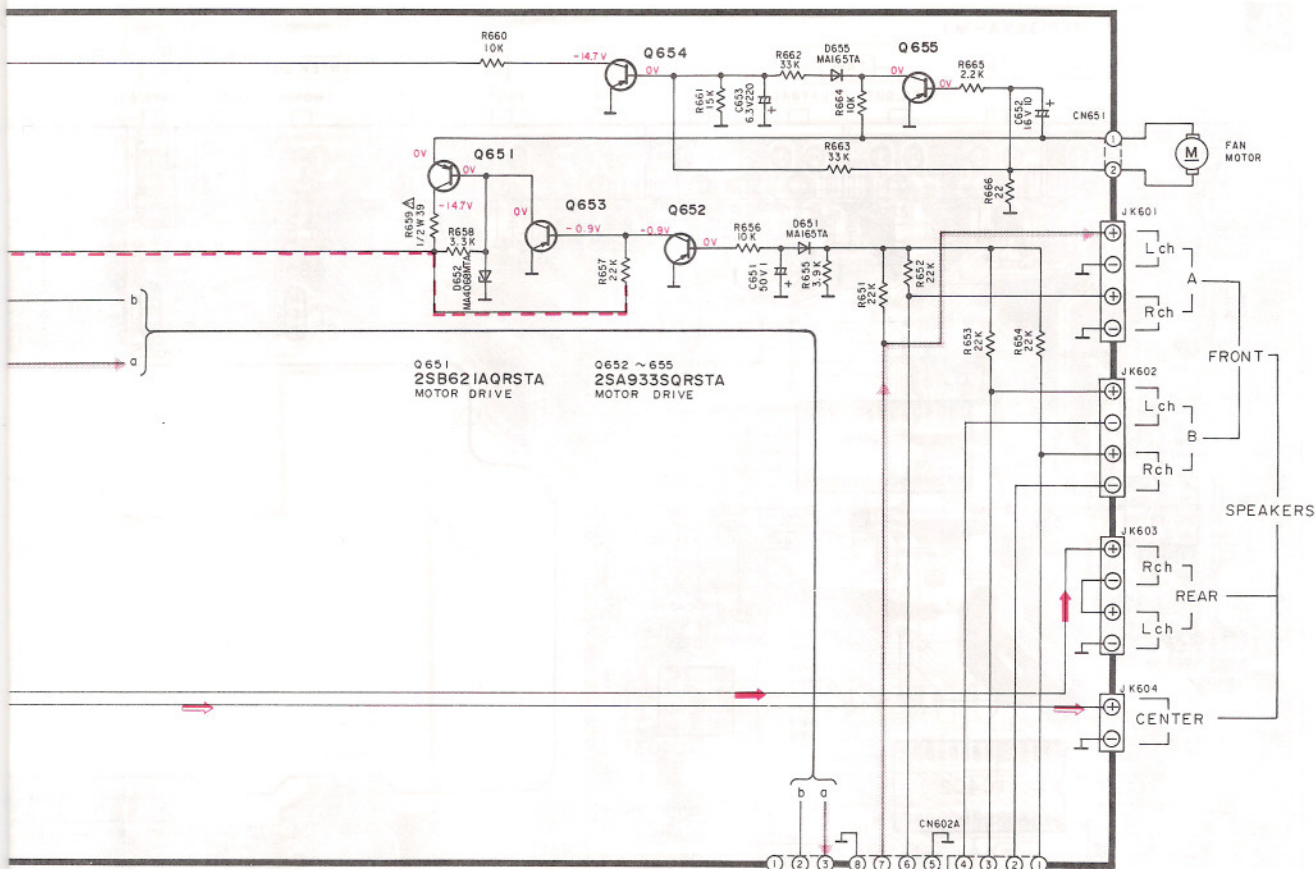
Q1102, 1104  
2SA933SQRSTA  
MUTING CONTROL

Q1101, 1105  
2SC3327ABTP  
MUTING

Q1106  
UN4111TA  
POWER ON/OFF DET.

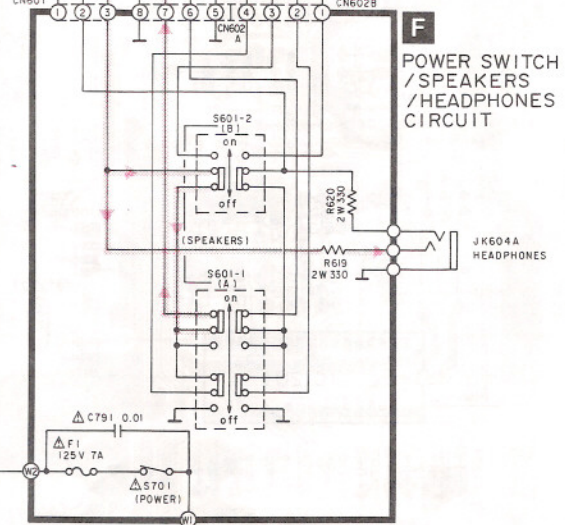






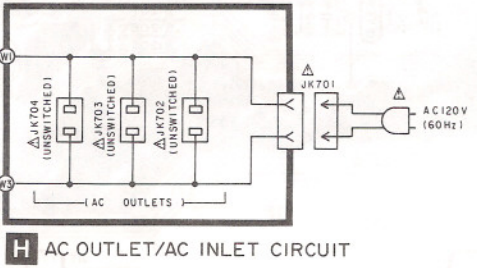
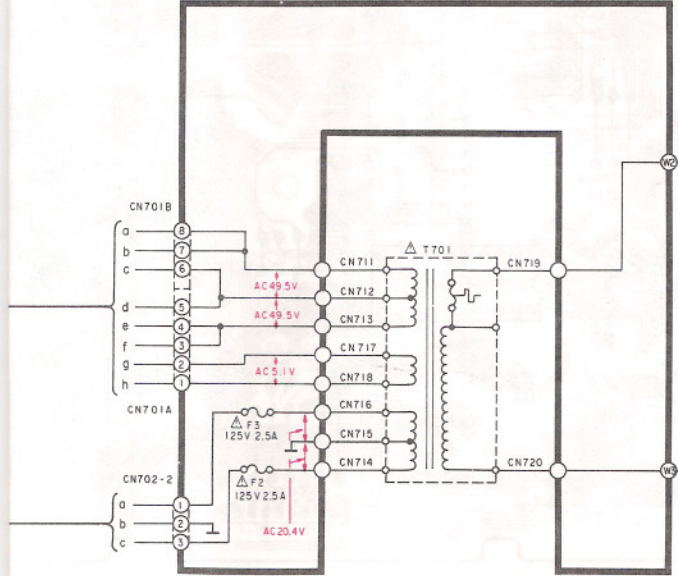
Q651  
2SB621AQRSTA  
MOTOR DRIVE

Q652 ~ 655  
2SA933SRSTA  
MOTOR DRIVE



**F**  
POWER SWITCH  
/SPEAKERS  
/HEADPHONES  
CIRCUIT

**G** POWER TRANSFORMER CIRCUIT



**H** AC OUTLET/AC INLET CIRCUIT