

AUDIO/VIDEO INPUT SELECTOR

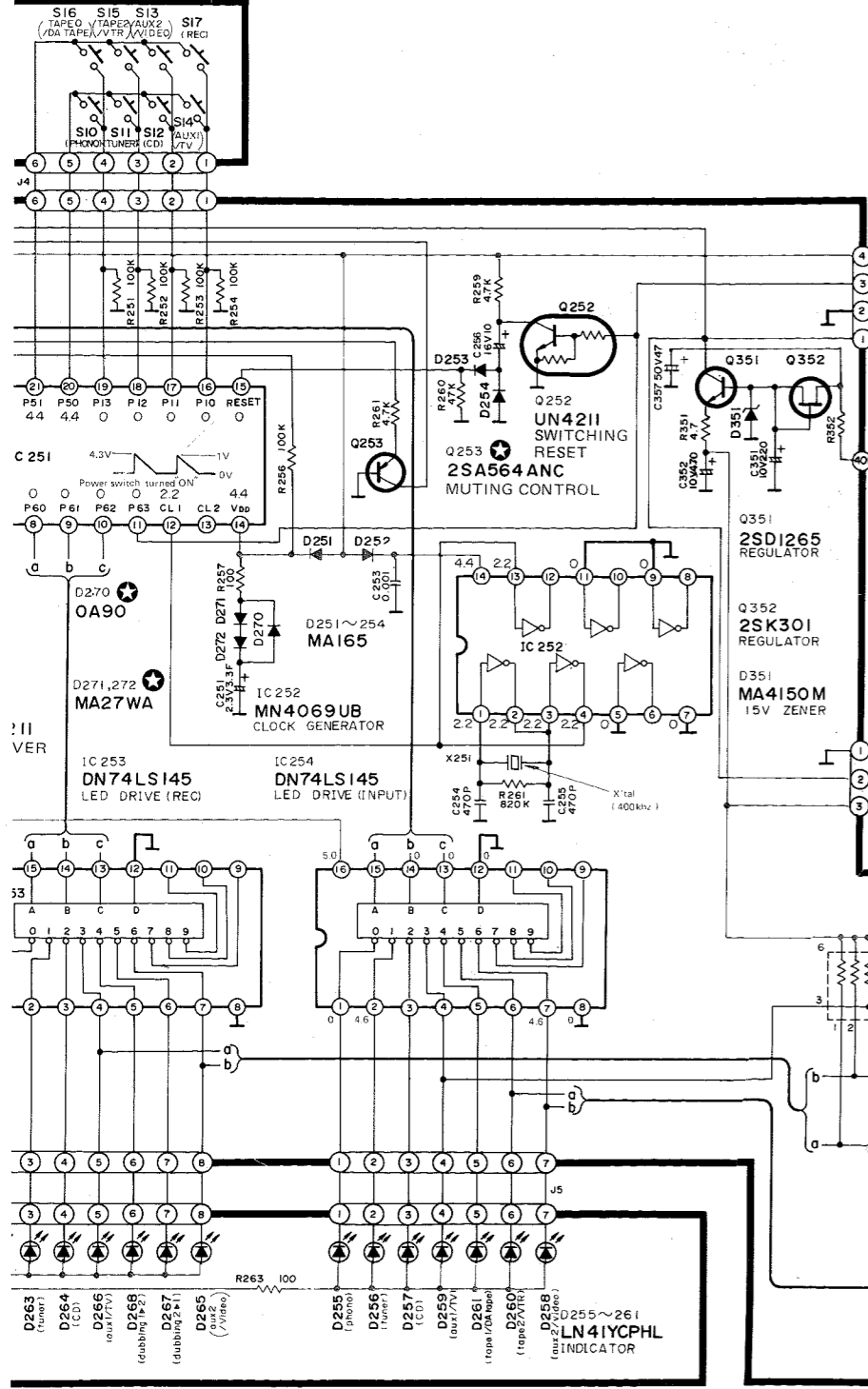
INPUT SELECTOR/REC(VIDEO)SELECTOR/
MUTING/LED DRIVE CIRCUIT

AUDIO/VIDEO INPUT LED

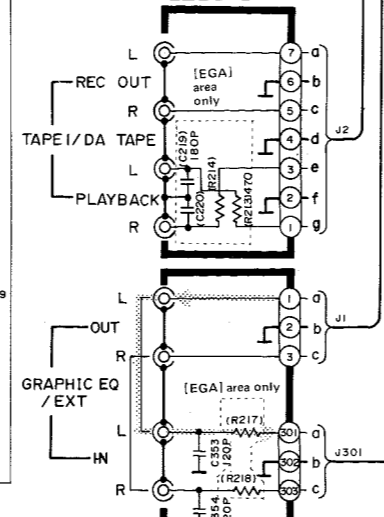
TAPE1/
DA TAPE

GRAPHIC
EQ/EXT
CIRCUIT

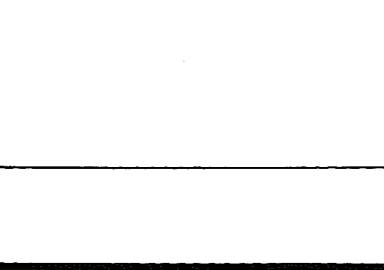
VIDEO INPUT SELECTOR



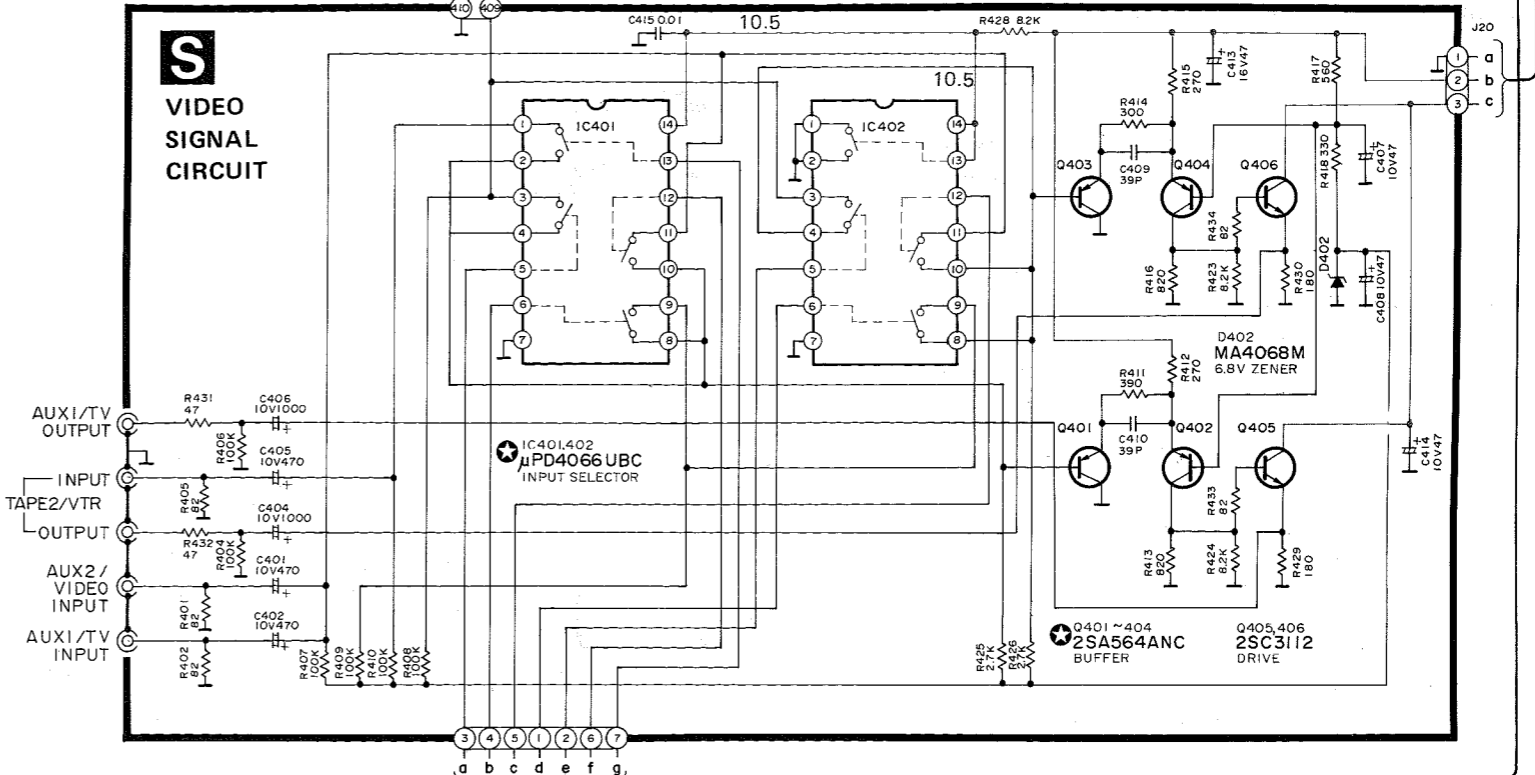
TAPE1/ DA TAPE



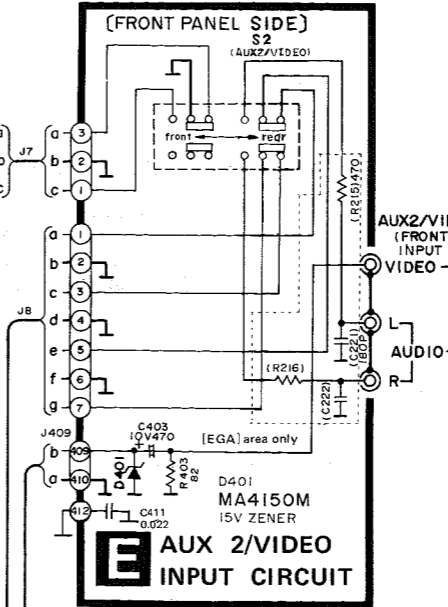
GRAPHIC EQ/EXT CIRCUIT



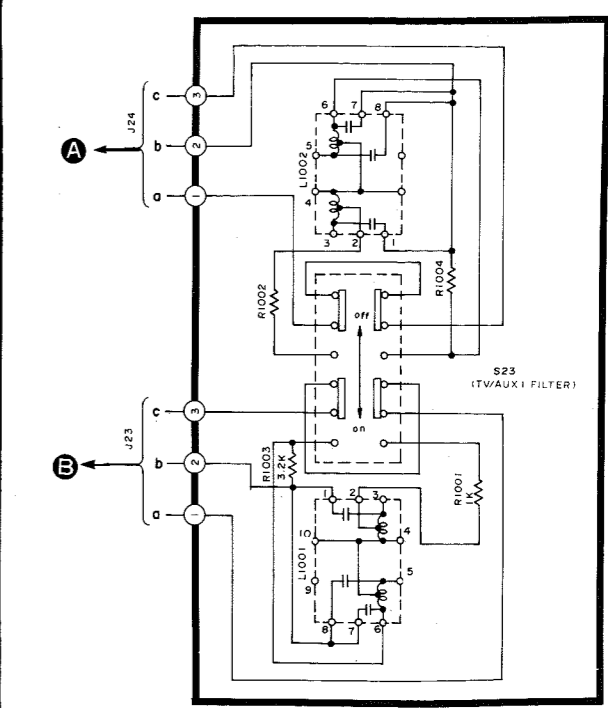
S VIDEO SIGNAL CIRCUIT



[FRONT PANEL SIDE] S2 (AUX2/VIDEO)

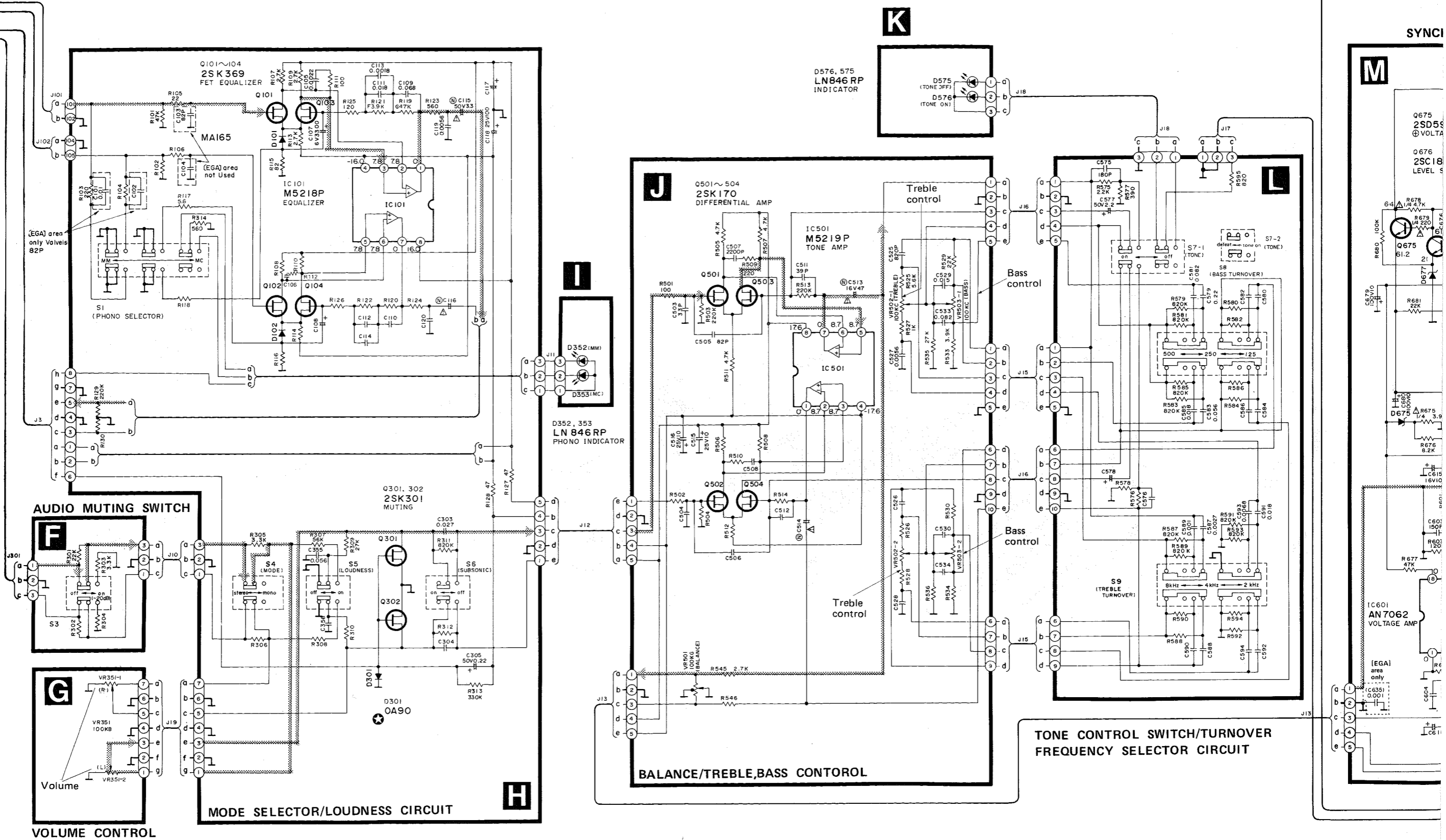


E AUX 2/VIDEO INPUT CIRCUIT

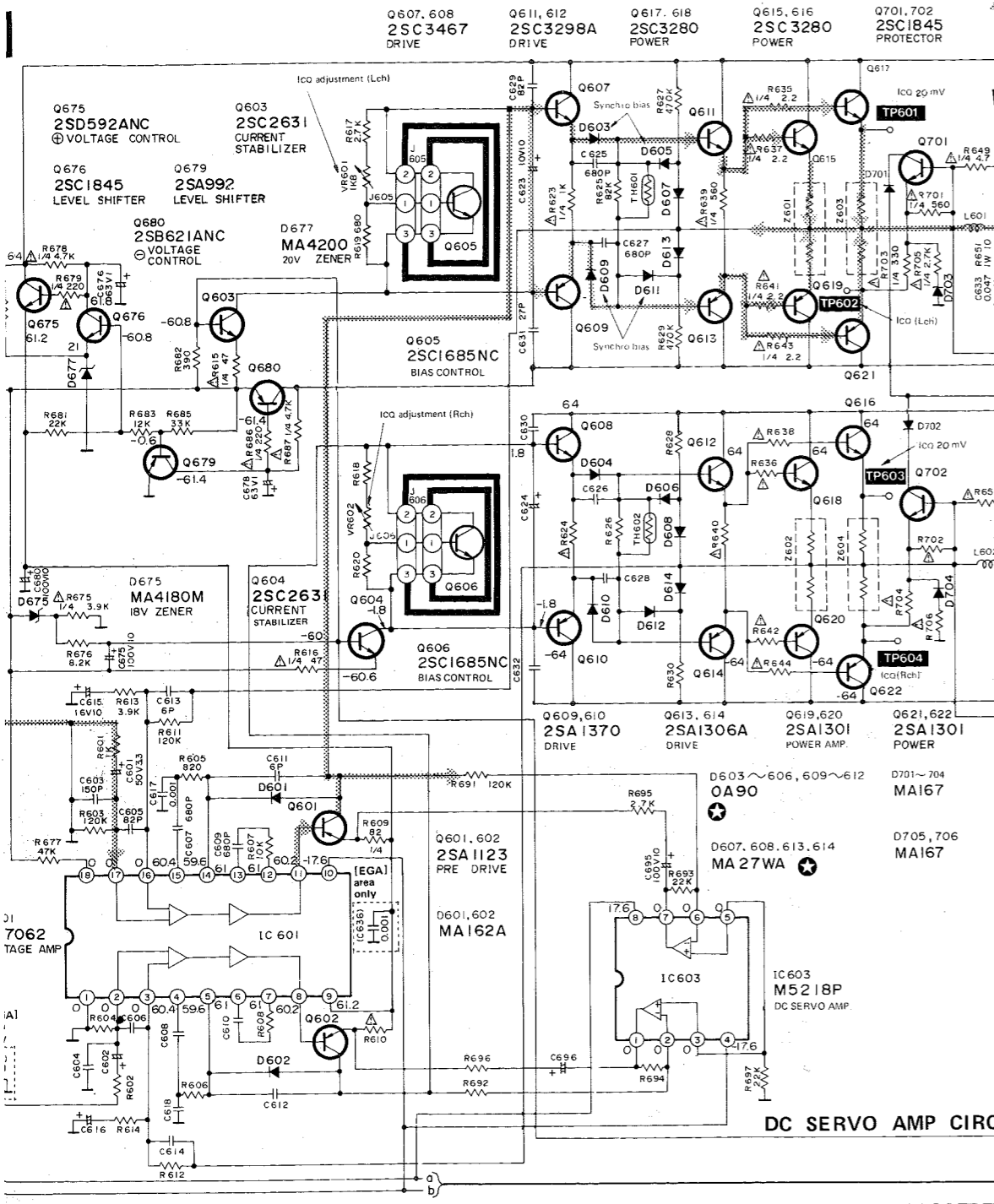


R TV/AUX1 INPUT CIRCUIT

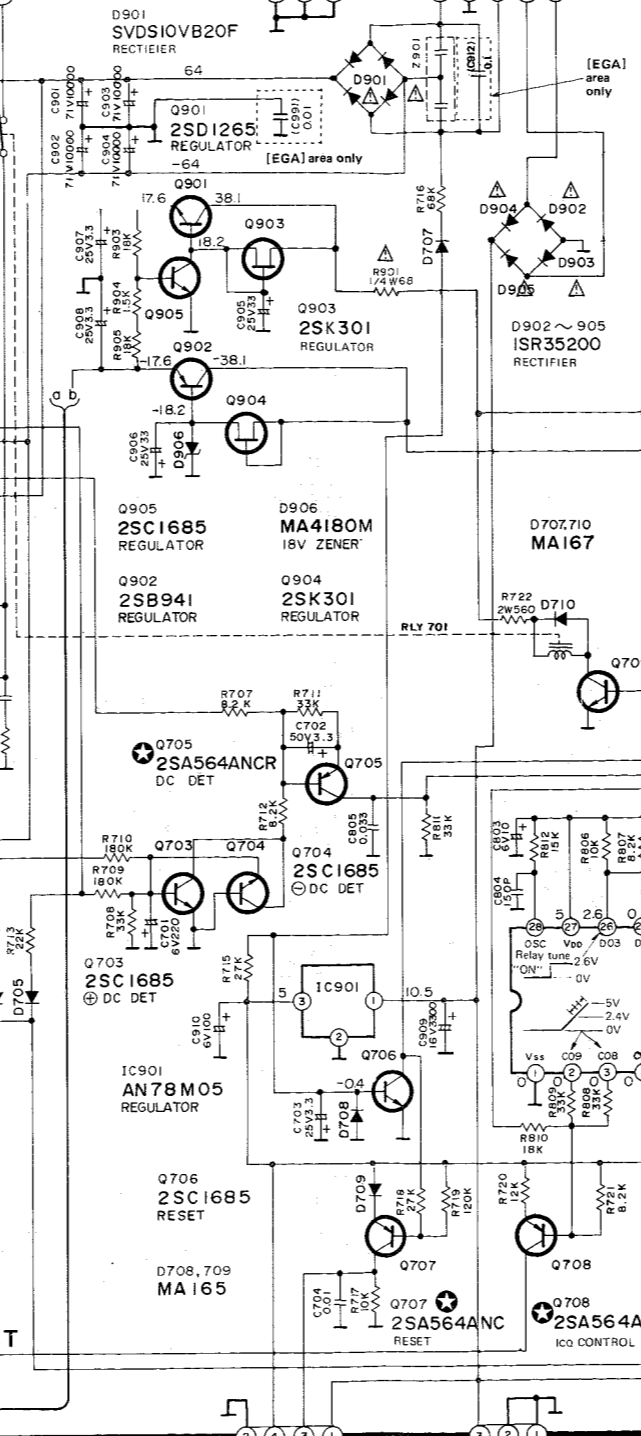
INPUT LED



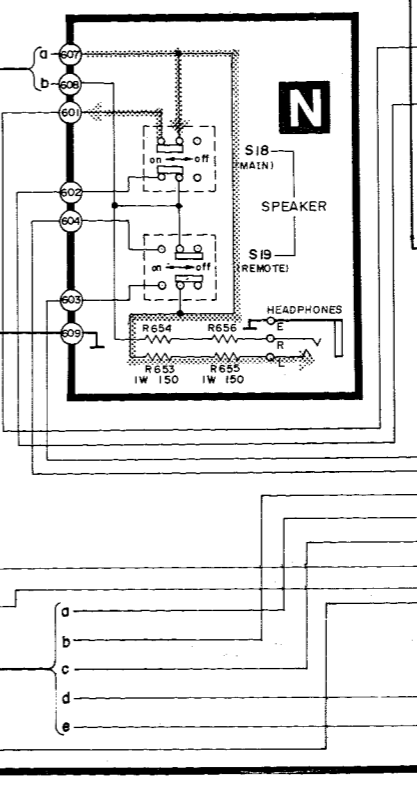
SYNCHRO BIAS/POWER AMPLIFIER CIRCUIT



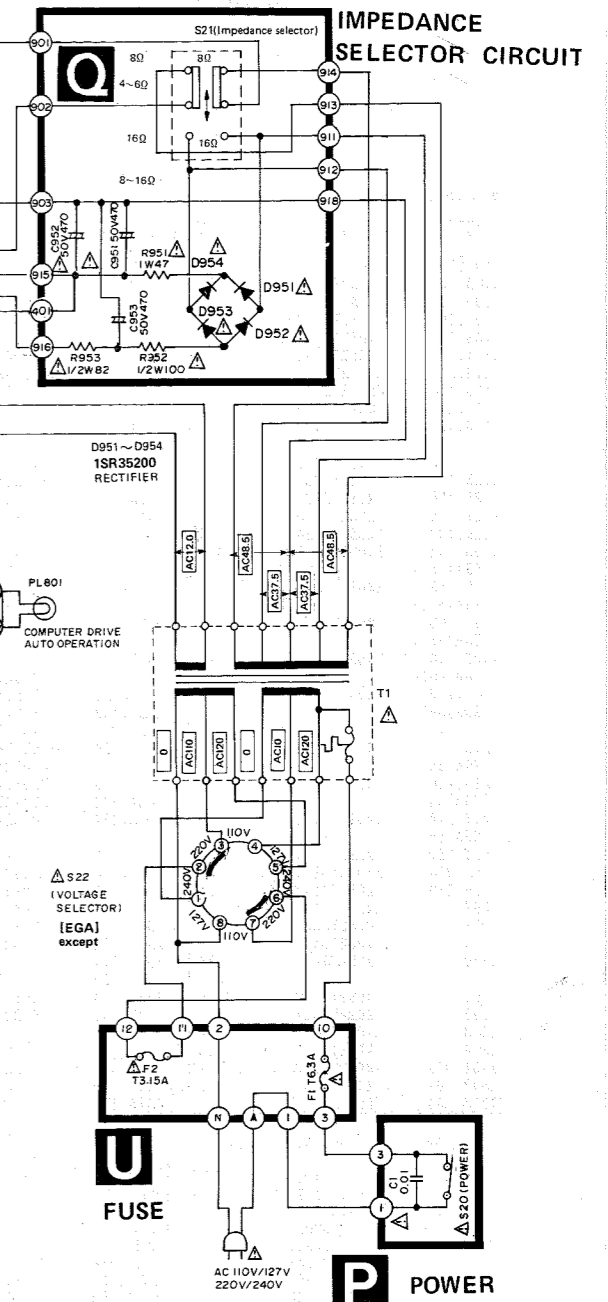
REGULATOR/RECTIFIER CIRCUIT



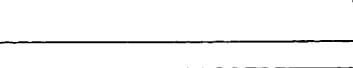
SPEAKER SELECTOR CIRCUIT



IMPEDANCE SELECTOR CIRCUIT



DC SERVO AMP CIRCUIT

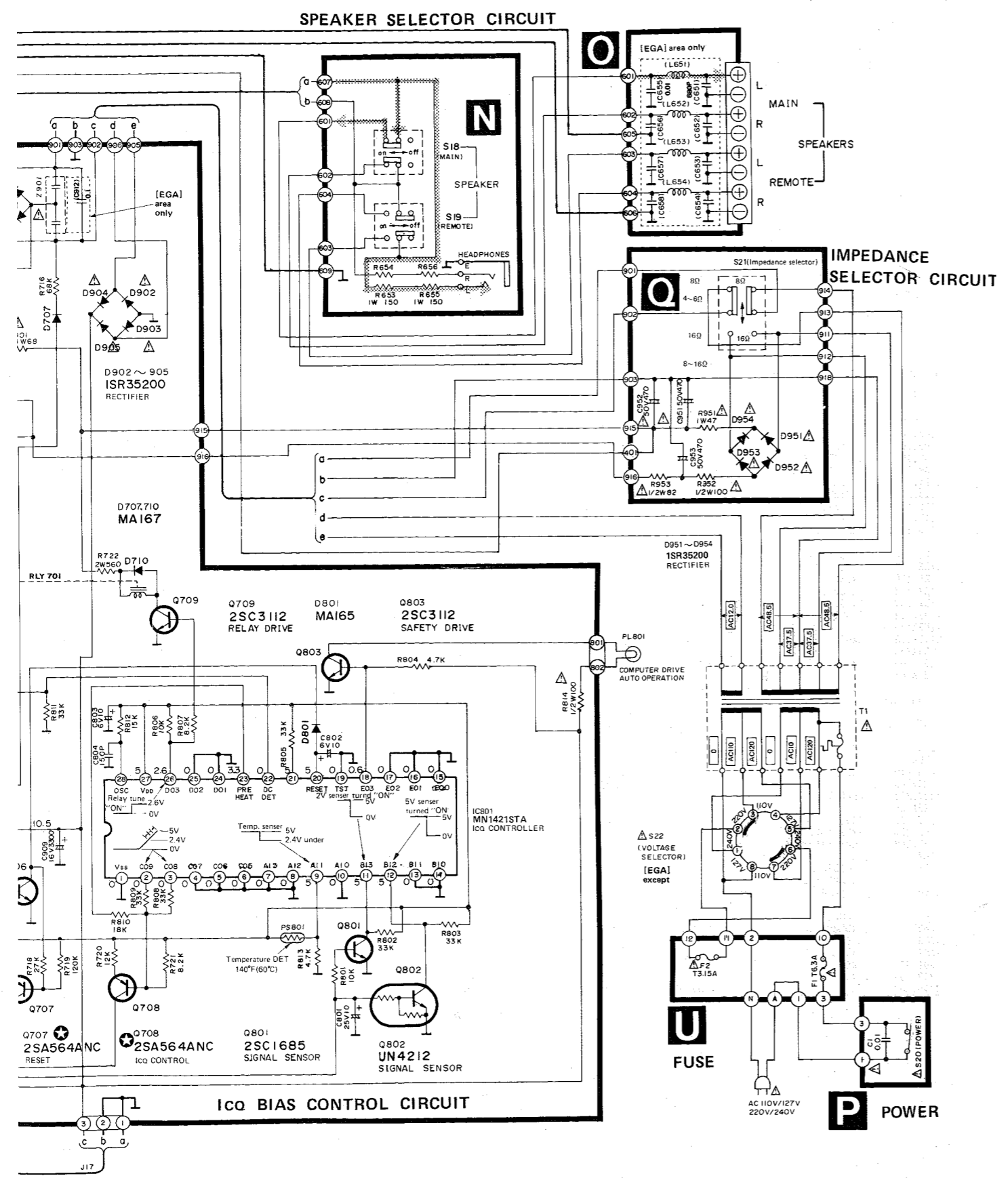


ICQ BIAS CONTROL CIRCUIT



VOLTAGE AMPLIFIER





SCHEMATIC DIAGRAM

The part No. of transistors, IC and diodes mentioned in the schematic diagram stand for production part No. Regarding the part No. with \star mark, the production part No. are different from the replacement part No. Therefore, when placing an order for replacement part, please use the part No. in the replacement parts list.

1. **S1:** Phono selection switch in "MM" position. MM \leftrightarrow MC
2. **S2:** AUX 2 / Video selection switch in "rear" position. front \leftrightarrow rear
3. **S3:** Muting switch in "off" position. off \leftrightarrow on (-20dB)
4. **S4:** Mode switch in "stereo" position. stereo \leftrightarrow mono
5. **S5:** Loudness switch in "off" position. off \leftrightarrow on
6. **S6:** Subsonic switch in "off" position. off \leftrightarrow -20Hz
7. **S7-1, 7-2:** Tone control switch in "on" position. tone on \leftrightarrow defeat
8. **S8:** Bass turnover switch in "500Hz" position. 500Hz \leftrightarrow 250Hz \leftrightarrow 125Hz
9. **S9:** Treble turnover switch in "8kHz" position. 8kHz \leftrightarrow 4kHz \leftrightarrow 2kHz
10. **S10-S17:** Input selection switch
S10: Phono, **S11:** tuner, **S12:** CD, **S13:** AUX 2 / Video, **S14:** AUX 1 / TV, **S15:** TAPE 2 / VCR, **S16:** TAPE 1 / DA TAPE, **S17:** REC mode
11. **S18:** Main speaker switch in "on" position. on \leftrightarrow off
12. **S19:** Remote speaker switch in "off" position. on \leftrightarrow off
13. **S20:** Power switch in "on" position.
14. **S21:** Impedance selection switch in "4 ~ 6 Ω / 8 Ω " position. 4 ~ 6 Ω \leftrightarrow 8 ~ 16 Ω / 8 Ω \leftrightarrow 16 Ω
15. **S22 (Except for [EGA]):** Voltage selector switch "220V" position. 127 \leftrightarrow 110V \leftrightarrow 220V \leftrightarrow 240V
16. **S23:** TV/AUX 1 input filter switch in "on(TV)" position. off \leftrightarrow on(TV)
17. Indicated voltage values are the standard values for the unit measured by the DC electronic circuit tester (high-impedance) with the chassis taken as standard. Therefore, there may exist some errors in the voltage values, depending on the internal impedance of the DC circuit tester.
18. --- Phono signal (Lch)
19. --- Positive voltage lines or Negative voltage lines.
20. Important safety notice: Components identified by Δ mark have special characteristics important for safety. When replacing any of these components use only manufacturer's specified parts.