

# Service Manual



Stereo Integrated DC Amplifier

## SU-V4A

[E], [EG], [XGH], [EB]

## SU-V4A(K)

[E], [EG], [XGH], [EB]

01170223 71070241  
EX-81114  
SERVICE MANUAL

\* The cabinet, front panel and knob are available in black color and silver types.  
The black type model is provided with (K) in the Service Manual.

### Areas

\* [E] and [EG] are available in Scandinavia and European except Belgium and Holland.  
\* [XGH] is available in Holland.  
\* [EB] is available in Belgium.

## CONTENTS

	Page
LOCATION OF CONTROLS . . . . .	3, 4
DISASSEMBLY INSTRUCTIONS . . . . .	4, 5
ADJUSTING INSTRUCTIONS (ENGLISH). . . . .	5, 6
EINSTELLUNGSANWEISUNGEN (DEUTSCH) . . . . .	7
INSTRUCTIONS DE REGLAGE (FRANÇAIS) . . . . .	7, 8
REPLACEMENT PARTS LIST (Electrical Parts) . . . . .	8
BLOCK DIAGRAM OF IC'S . . . . .	9, 20
BLOCK DIAGRAM. . . . .	10

	Page
VARIABLE RESISTORS . . . . .	11
PRINTED CIRCUIT BOARD WIRING VIEW. . . . .	12 ~ 15
TERMINAL GUIDE OF TRANSISTORS AND IC'S. . . . .	15
SCHEMATIC DIAGRAM . . . . .	16 ~ 20
EXPLODED VIEWS . . . . .	21, 22
REPLACEMENT PARTS LIST (Cabinet, Chassis and Packing Parts) . . . . .	23
REPLACEMENT PARTS LIST (Resistors and Capacitors) . . . . .	23, 24

## TECHNICAL SPECIFICATIONS (DIN 45 500)

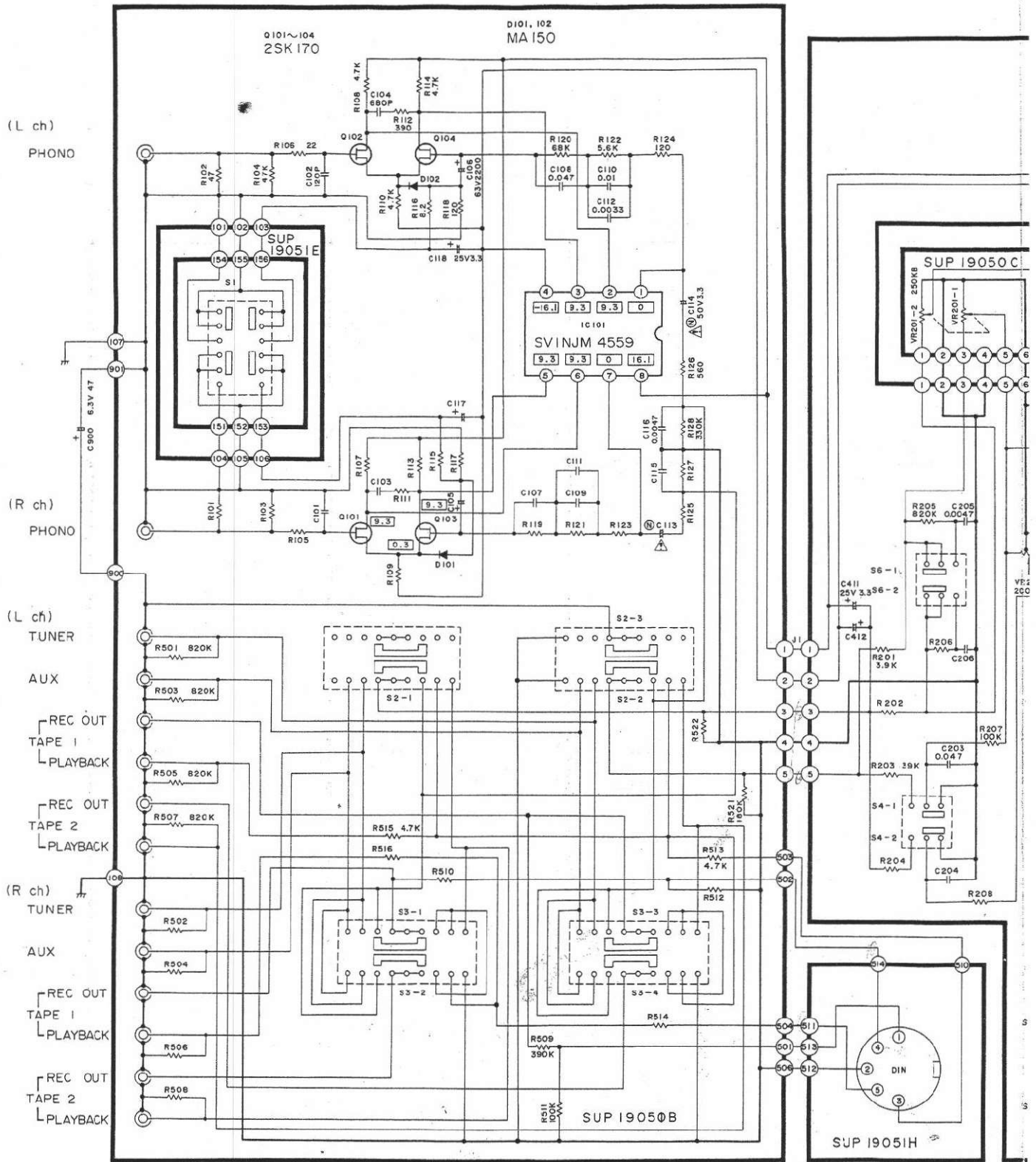
Specifications are subject to change without notice for further improvement.

### AMPLIFIER SECTION

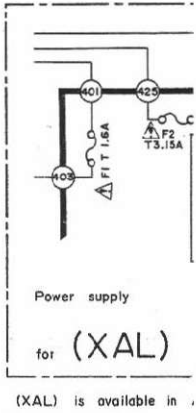
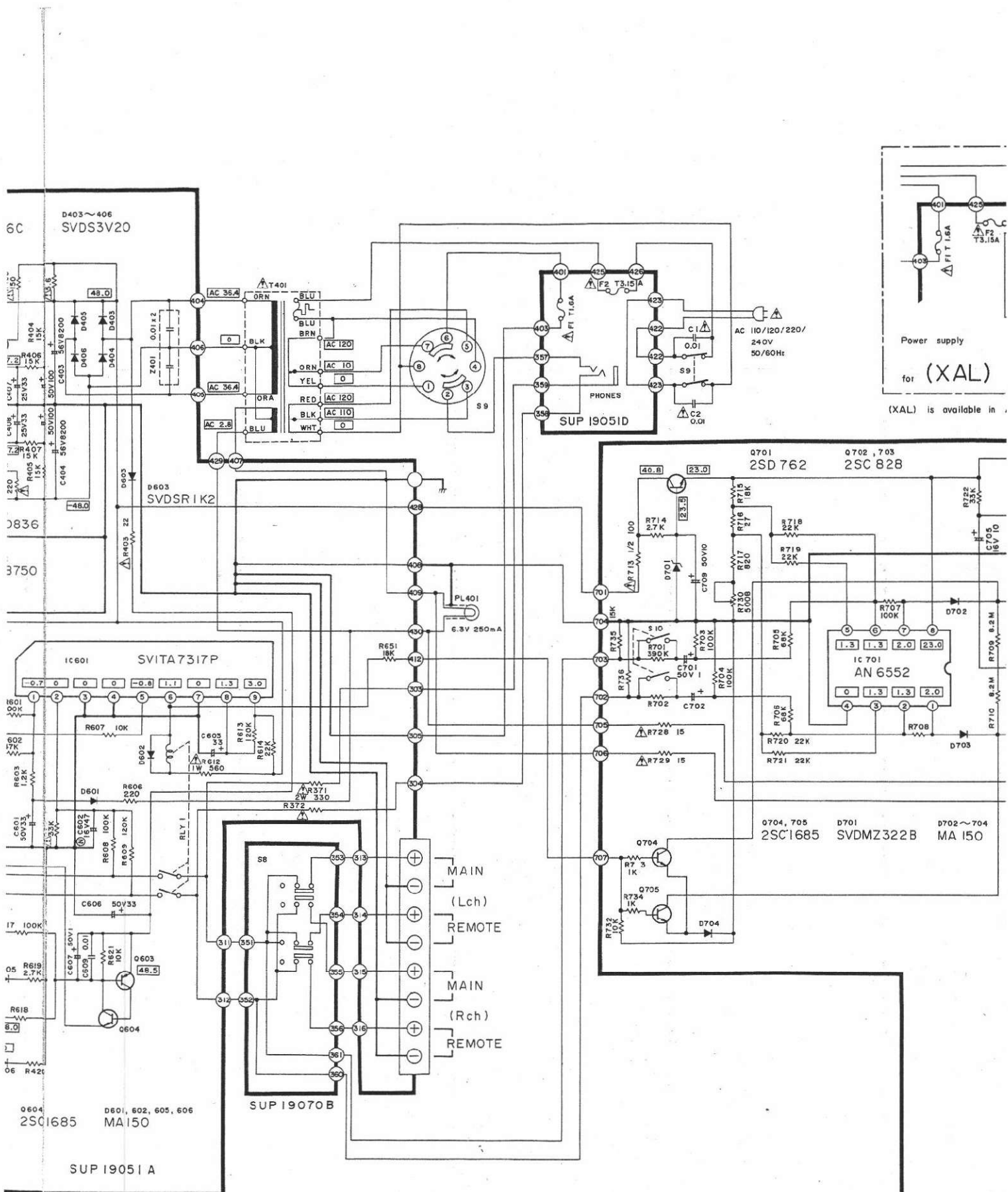
20 Hz~20 kHz continuous power output both channels driven	2 × 60W (4Ω) 2 × 55W (8Ω)
40 Hz~16 kHz continuous power output both channels driven	2 × 60W (4Ω) 2 × 55W (8Ω)
1 kHz continuous power output both channels driven	2 × 75W (4Ω) 2 × 60W (8Ω)
Total harmonic distortion	
rated power at 20 Hz~20 kHz	0.03% (4Ω) 0.02% (8Ω)
rated power at 40 Hz~16 kHz	0.03% (4Ω) 0.02% (8Ω)
rated power at 1 kHz	0.02% (4Ω) 0.02% (8Ω)
half power at 20 Hz~20 kHz	0.015% (8Ω)
half power at 1 kHz	0.005% (8Ω)

-26 dB power at 1 kHz	0.12% (4Ω)
50 mW power at 1 kHz	0.2% (4Ω)
Intermodulation distortion	
rated power at 250 Hz: 8 kHz=4:1, 4Ω	0.03%
rated power at 60 Hz: 7 kHz=4:1, SMPTE, 8Ω	0.02%
Power bandwidth	
both channels driven, -3 dB	
(THD 0.03%)	5 Hz~30 kHz (4Ω)
(THD 0.02%)	5 Hz~30 kHz (8Ω)
Residual hum and noise (straight DC)	0.65 mV
Damping factor	25 (4Ω), 50 (8Ω)
Input sensitivity and impedance	
PHONO MM	2.5 mV/47kΩ
MC	170 μV/47Ω
TUNER, AUX	150 mV/27kΩ
TAPE 1 REC/PLAY	180 mV/33kΩ
TAPE 2	150 mV/27kΩ
PHONO maximum input voltage (1 kHz, RMS)	
MM	150 mV
MC	10 mV

# Schematic Diagram ... Model SU-V4/SU-V4K (This schematic ...)







6C D403~406 SVDS3V20

D603 SVDSR 1K2

3836

3750

IC 601 SVITA 7317P

IC 701 AN 6552

0604 2SC1685 D601, 602, 605, 606 MA150

0604 2SC1685

0604 2SC1685

0604 2SC1685

0604 2SC1685

0604 2SC1685

0604 2SC1685

0604 2SC1685

0604 2SC1685

0604 2SC1685

0604 2SC1685

0604 2SC1685

0604 2SC1685

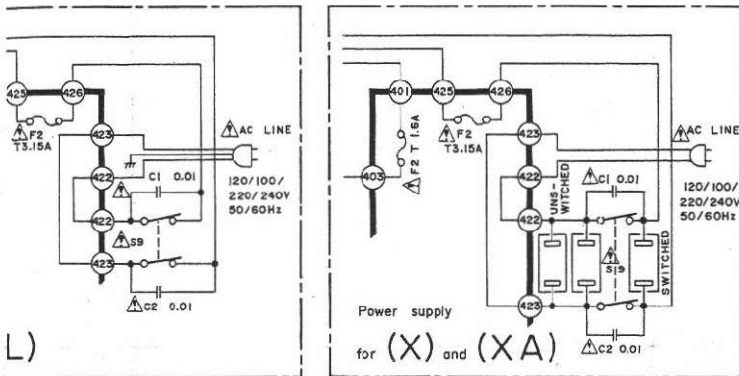
- MAIN (Lch)
- REMOTE
- MAIN (Rch)
- REMOTE

SUP 19070B

SUP 19051D

SUP 19051A

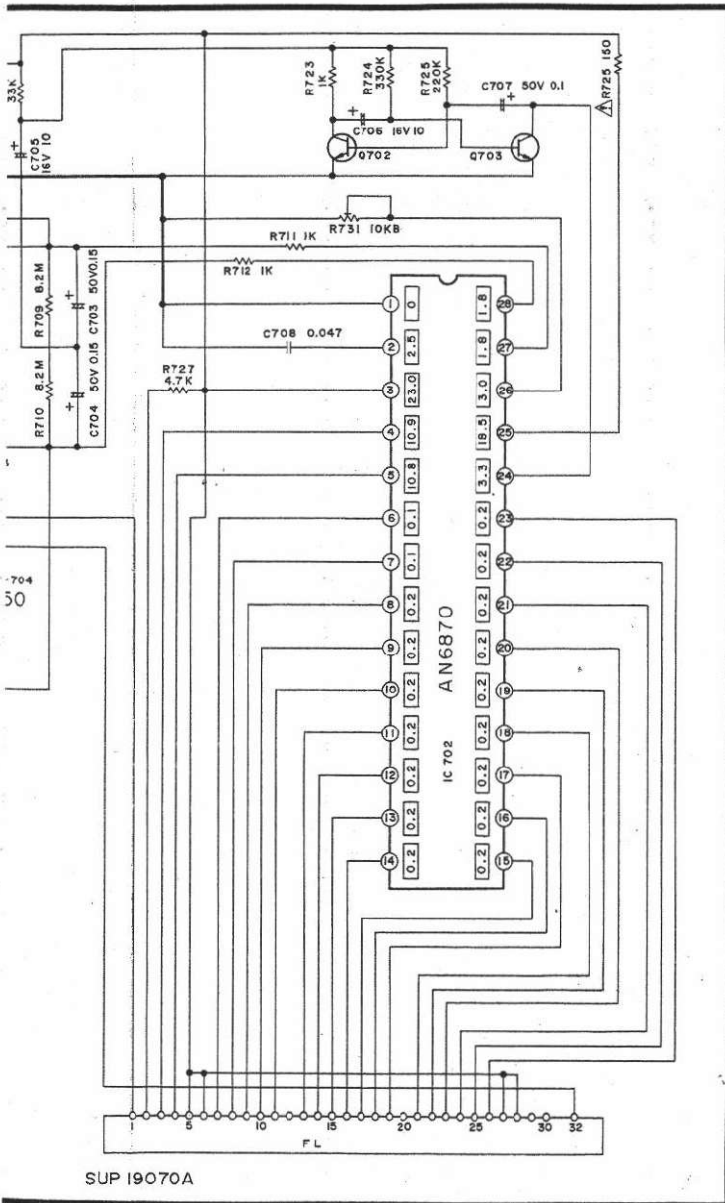
Handwritten signature or mark at the bottom center of the page.



L)

ble in Australia.

(X) and (XA) are available in Asia Latin America, Middle East and Africa.



SUP 19070A

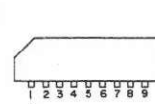
### TERMINAL GUIDE



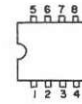
2SA921 2SC980  
2SA1015 2SC1124  
2SA1124 2SC2631  
2SC1685 2SC828

2SK170

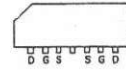
2SB750  
2SD836  
2SD762



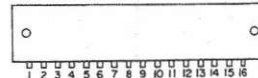
SVITA 7317F



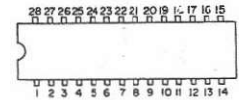
AN6552  
SVINJM4559



2SK 109



SVISTK8050



AN 6870

### NOTES

- S1 Phono selector switch in "MM" position.  
MM. → MC
- S2 Input selector switch in "phono" position.  
tape2 → tape1 → phono → tuner → aux
- S3 Rec serac switch in "phono" position.  
tape2 1 → tape1 2 → off → phono → tuner → aux
- S4 Loudness switch in "off" position.
- S5 Operaton switch in "straight DC" position.
- S6 High filter switch in "off" position.
- S7 Subsonic filter switch in "off" position.
- S8 Speaker switch in "main" position.
- S9 Power switch in "on" position.
- S10 Mater ronge selector switch in "X1" position.  
X1 → X0.01
- (XAL) is available in "Australia".  
(X) and (XA) are Asia, Latin America, Middle East and Africa.