

C109,110
390P For others
0.001 For (EG,E1) areas.

PHONO EQ CIRCUIT

A PHONO EQ / TONE AMP / POWER SOURCE

Phono Signal (Lch)

IC101
AN6558F
PHONO EQ AMP

INPUT SELECTOR CIRCUIT

(INPUT SELECTOR)

Recording Signal

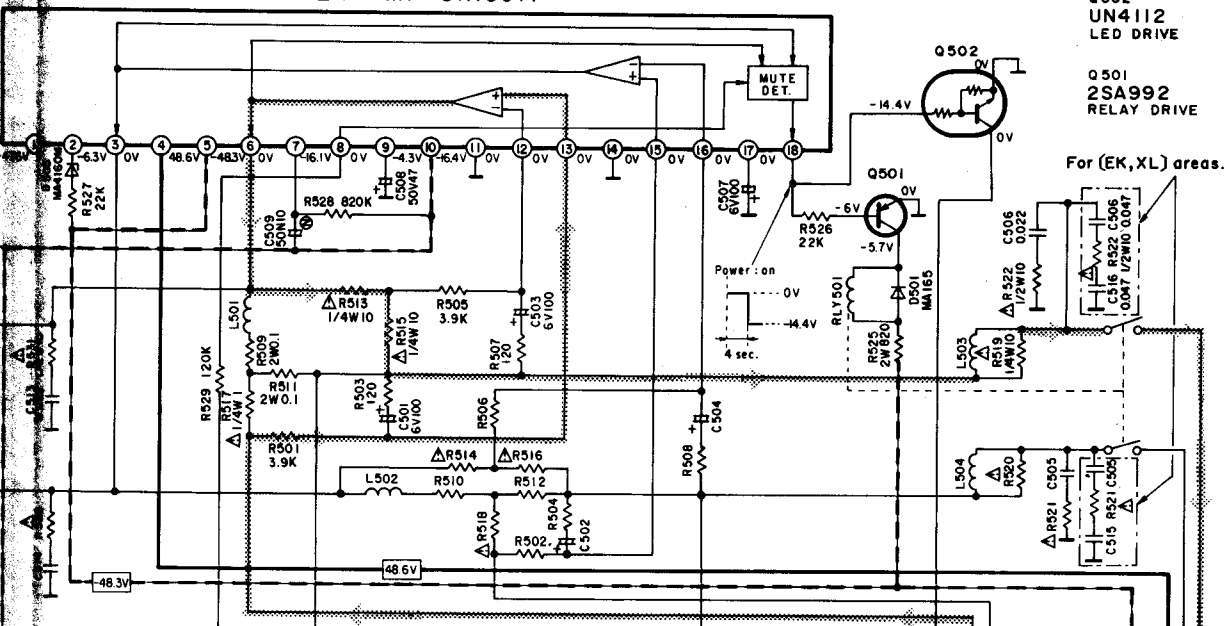
Q751
2SC3944A
EXTEND
ACTIVE
SERVO

Q752
2SA1055PH
EXTEND
ACTIVE
SERVO

B INPUT-OUTPUT TERMINAL / VOLTAGE CONTROL

D603 ~ 608
LN064456PH

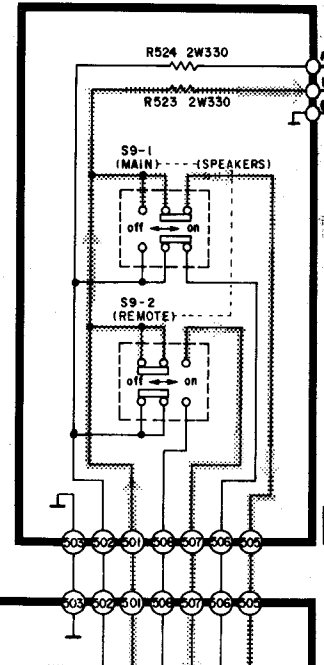
POWER AMP CIRCUIT



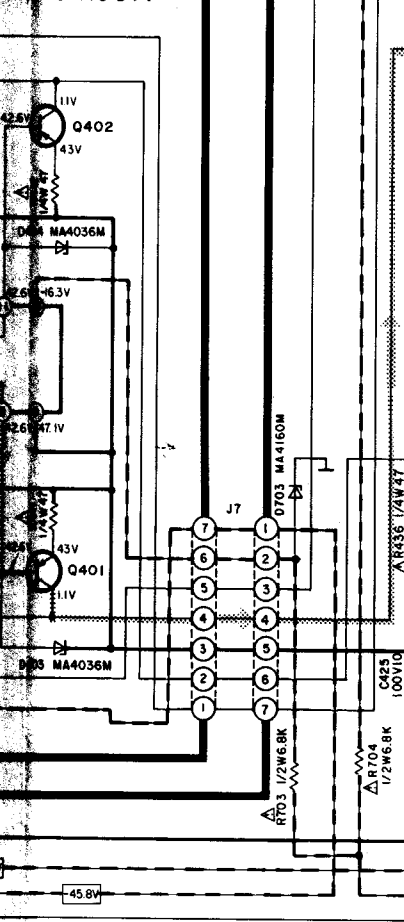
Q502
UN4112
LED DRIVE

Q501
2SA992
RELAY DRIVE

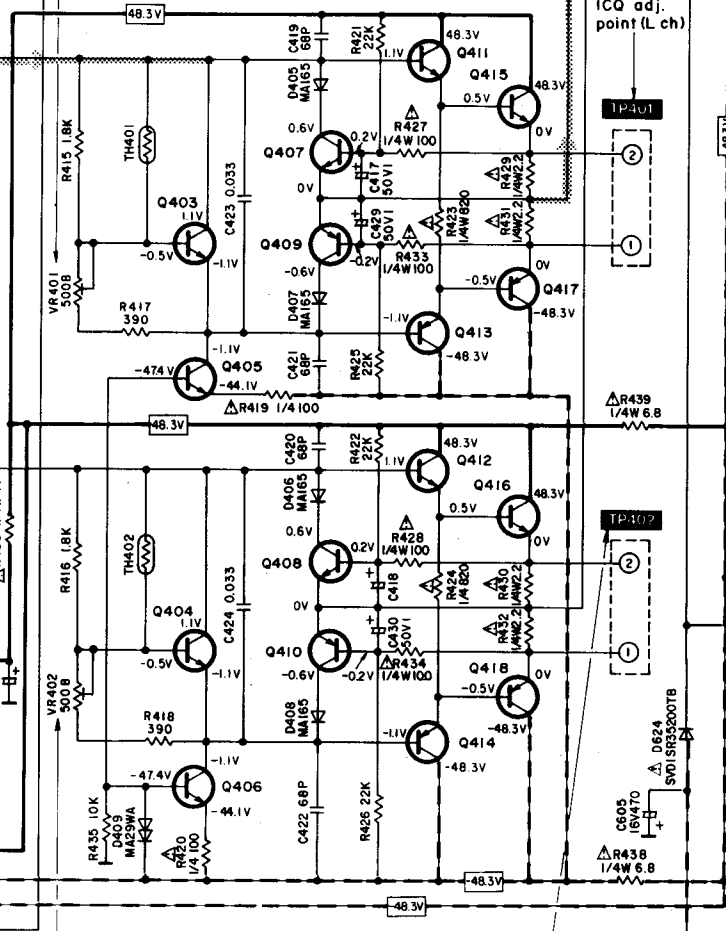
For (EK, XL) areas.



AMP CIRCUIT



VOLTAGE CONTROL AMP



Voltage control amp.
ICQ adj. (L ch)

Voltage control amp.
ICQ adj. point (R ch)

- Q403,404
2SC1685
ICQ adj.
- Q405,406
2SC2631
CURRENT
STABILIZER
- Q407,408
2SC3311A
LIMITER
- 409,410
2SA1309A
LIMITER
- Q411,412
2SC2631
AA CLASS AMP
- Q413,414
2SA1123
AA CLASS AMP
- Q415,416
2SC3944A
AA CLASS AMP
- Q417,418
2SA1535A
AA CLASS AMP

For (EG, EI) areas.

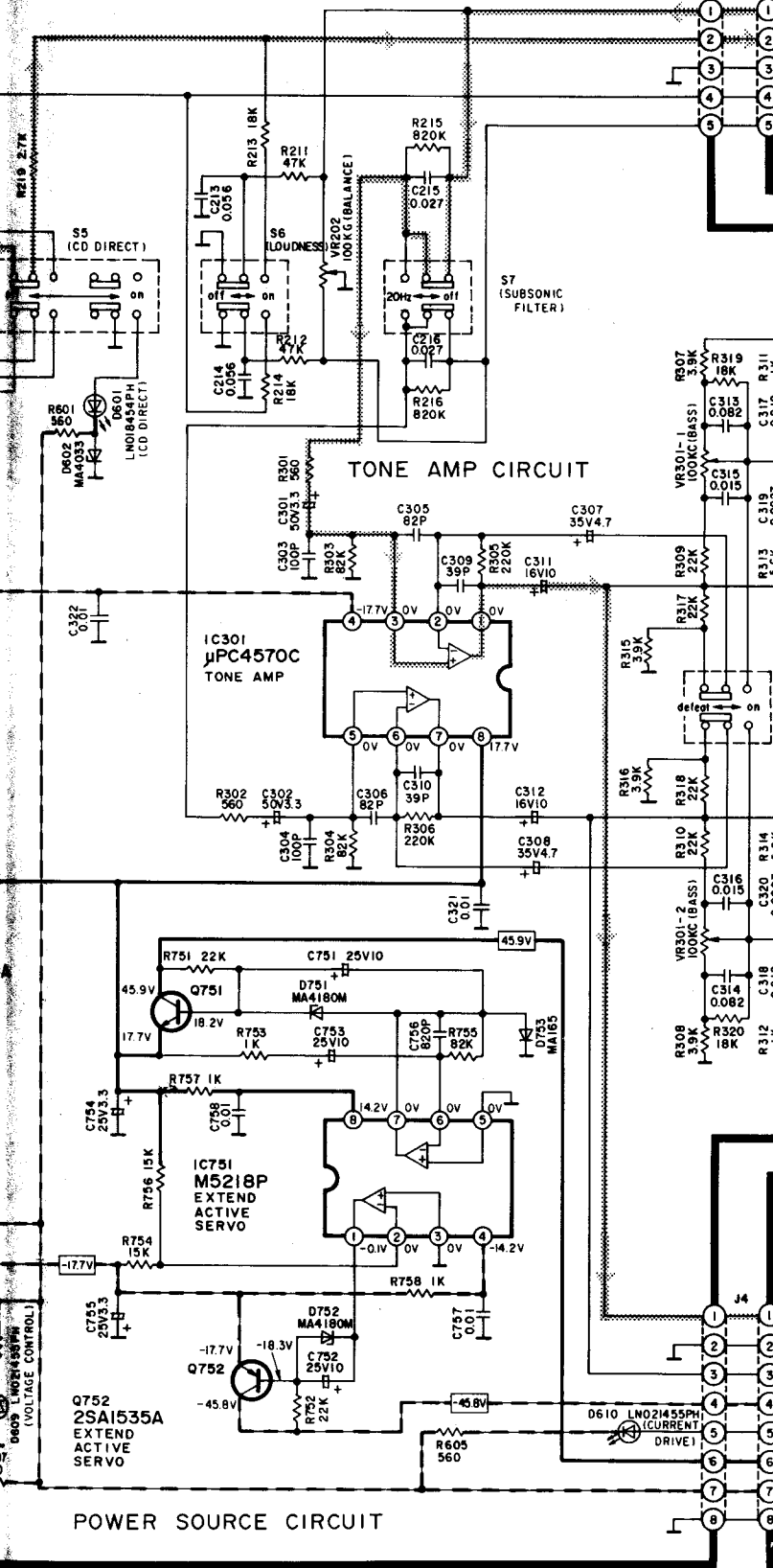
Phono Signal (Lch)

D711~714
53V20

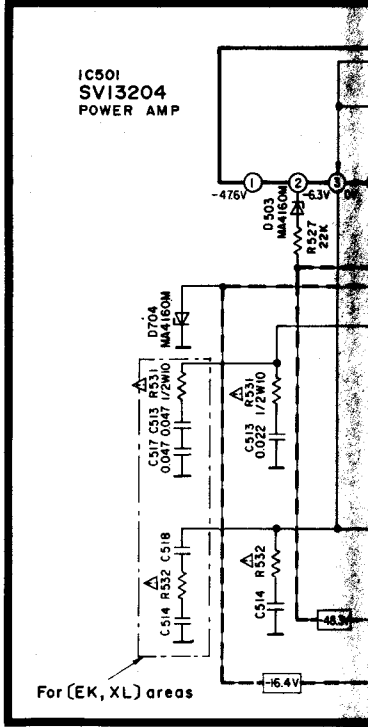
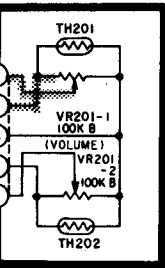
For others...
0.01
For (EG, EI) areas.



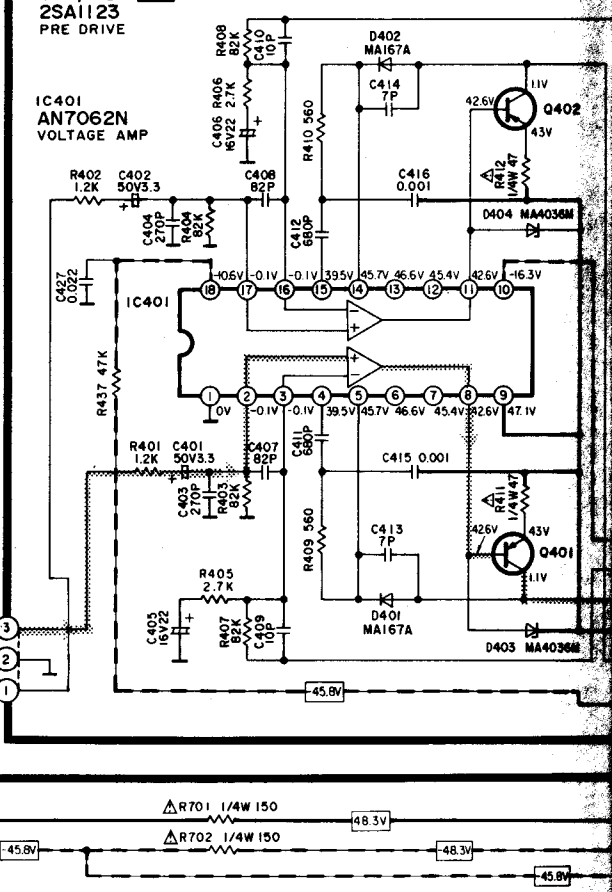
POWER SOURCE CIRCUIT



C VOLUME CIRCUIT



D VOLTAGE CONTROL AMP CIRCUIT



CONTROL AMP/POWER AMP CIRCUIT