

Service Manual

Stereo Integrated Amplifier

SU-V500M2

SU-V620M2

Color

(K).....Black Type

Areas

(E).....Europe.

(EB).....Great Britain.

(EG).....Germany.

Subject : Addition and change of the parts for improvement in safety

Please use this supplement manual together with the service manuals for Model No.SU-V500M2 E/EB/EG, Order No.AD0104090C2 (CDR01051AOX) and Model No.SU-V620M2 E/EB/EG, Order No.AD9902029C2.

⚠ WARNING

This service information is designed for experienced repair technicians only and is not designed for use by the general public. It does not contain warnings or cautions to advise non-technical individuals of potential dangers in attempting to service a product. Products powered by electricity should be serviced or repaired only by experienced professional technicians. Any attempt to service or repair the product or products dealt with in this service information by anyone else could result in serious injury or death.

CONTENTS

	Page		Page
1 Purpose	2	3.4. Change of Printed Circuit Board Diagram	9
1.1. SU-V500M2	2	3.5. Change of Wiring Connection Diagram	11
1.2. SU-V620M2	2	3.6. Change of Block Diagram	12
2 About the applicable model	2	3.7. Change of Replacement Parts List	13
3 Fan unit is added for improvement in safety	2	4 Fan cover is added for improvement in safety	15
3.1. Replacement of the fan motor	2	4.1. Change of Replacement Parts List	15
3.2. Schematic Diagram Notes	3	4.2. Change of Cabinet Parts Location (Only the part to which Fan cover and Fan unit were added.)	17
3.3. Change of Schematic Diagram	5		

Technics

© 2002 Matsushita Electric Industrial Co., Ltd. All rights reserved. Unauthorized copying and distribution is a violation of law.

1 Purpose

1.1. SU-V500M2

- Fan unit, Fan cover, and Screw are added for improvement in safety.
- Electric circuit is changed in accordance with Fan unit addition.

1.2. SU-V620M2

- Fan cover, and Screw are added for improvement in safety.

2 About the applicable model

- The object is only the model fan cover equipped from the first. The model fan cover isn't equipped from the first is the outside of the object, because fan cover can't be equipped for the different form of *1 rearpanel.

*1 Rear panel: The parts of rear panel aren't supplied.

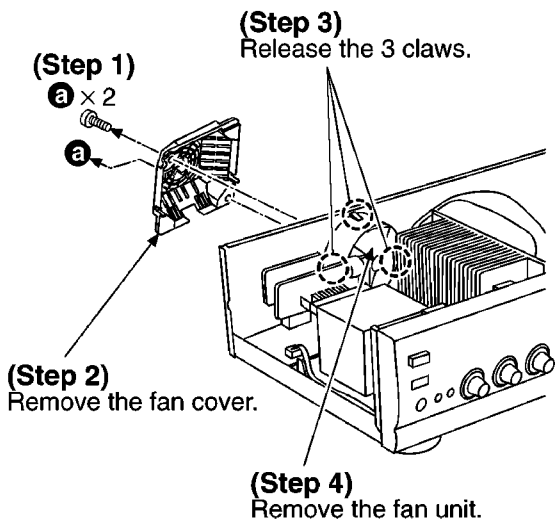
3 Fan unit is added for improvement in safety

- The object model of this chapter is SU-V500M2.

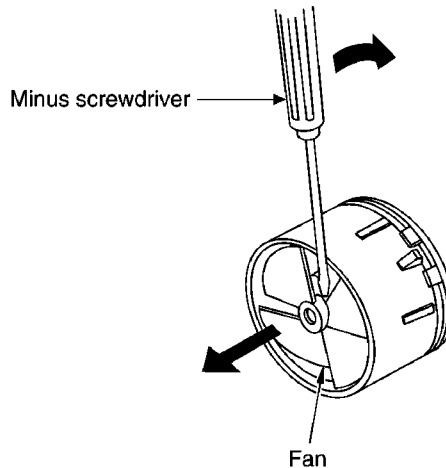
3.1. Replacement of the fan motor

Refer to <7.1.Check for the operation P.C.B. and tone amp P.C.B.> of original service manual SU-V500M2 E/EB/EG, Order No.AD 0104090C2 for removal of a cabinet.

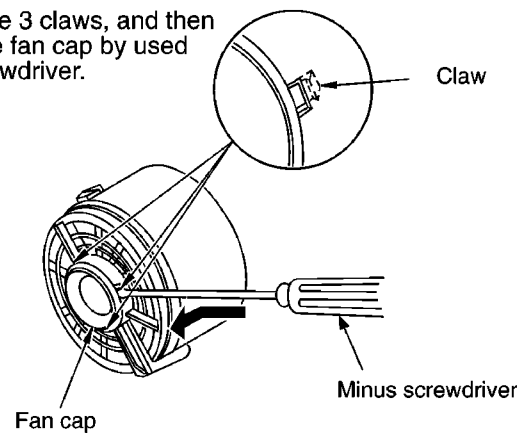
- Follow the (Step 1) - (Step 3) of item 7.1.



(Step 5)
Insert a minus screwdriver at the foot of the fan.

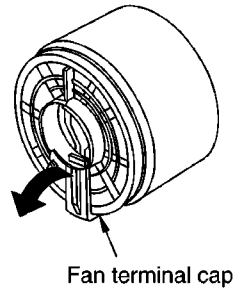


(Step 6)
Release the 3 claws, and then remove the fan cap by used minus screwdriver.

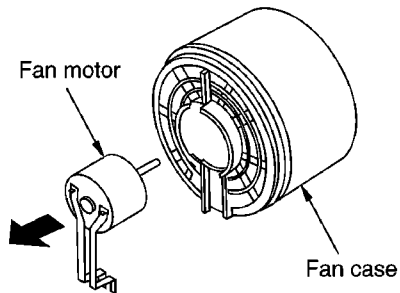


(Step 7)

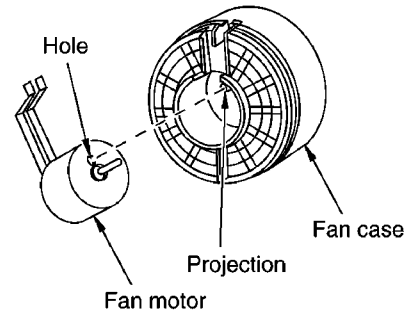
Remove the fan terminal cap in the direction of arrow.

**(Step 8)**

Remove the fan motor from the fan case.

**Installation of the fan motor after replacement**

- When mounting the motor, align the fan casing's projection with the hole of the fan motor.

**3.2. Schematic Diagram Notes**

- This schematic diagram may be modified at any time with the development of new technology.

Notes:

S401:	Tone control switch (TONE)
S801:	Input selector switch (PHONO)
S802:	Input selector switch (TUNER)
S803:	Input selector switch (CD)
S804:	Input selector switch (AUX)
S805:	Input selector switch (TAPE2)
S806:	Tape1 monitor switch (TAPE1 MONITOR)
S807:	Unit on/off switch (■●-●/1)
S808:	Speaker select switch (SPEAKERS A)
S809:	Speaker select switch (SPEAKERS B)
VR471:	Bass control VR (BASS)
VR472:	Treble control VR (TREBLE)
VR501:	Volume control VR (VOLUME)
VR502:	Balance control VR (BALANCE)

- Indicated voltage values are the standard values for the unit measured by the DC electronic circuit tester (high-impedance) with the chassis taken as standard. Therefore, there may exist some errors in the voltage values, depending on the internal impedance of the DC circuit tester.

No mark : Power ON

- Important safety notice:

Components identified by \triangle mark have special characteristics important for safety.

Furthermore, special parts which have purposes of fire-retardant (resistors), high-quality sound (capacitors), low-noise (resistors), etc. are used.

When replacing any of components, be sure to use only manufacturer's specified parts shown in the parts list.

- The supply part number is described alone in the replacement parts list.

• Caution!

IC and LSI are sensitive to static electricity.

Secondary trouble can be prevented by taking care during repair.

Cover the parts boxes made of plastics with aluminum foil.

Ground the soldering iron.

Put a conductive mat on the work table.

Do not touch the legs of IC or LSI with the fingers directly.

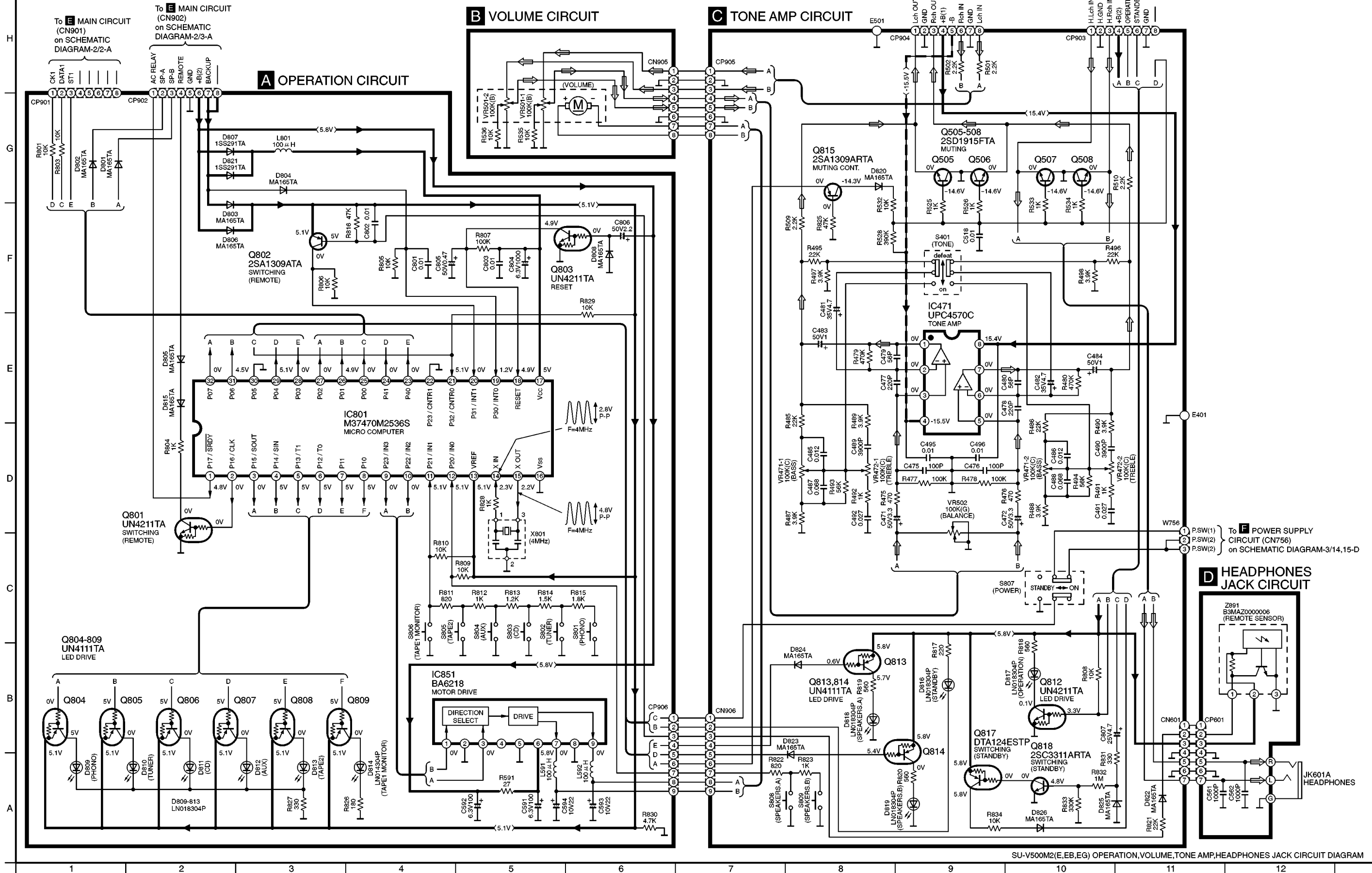
- Voltage and signal line

	: Positive voltage line
	: Negative voltage line
	: Phono signal line
	: Rec out signal line

3.3. Change of Schematic Diagram

SCHEMATIC DIAGRAM-1

Note: The number which noted at the connectors on the schematic diagram as "SCHEMATIC DIAGRAM-1" or "SCHEMATIC DIAGRAM-2" indicates the schematic diagram serial number located on the left corner in the schematic diagram.

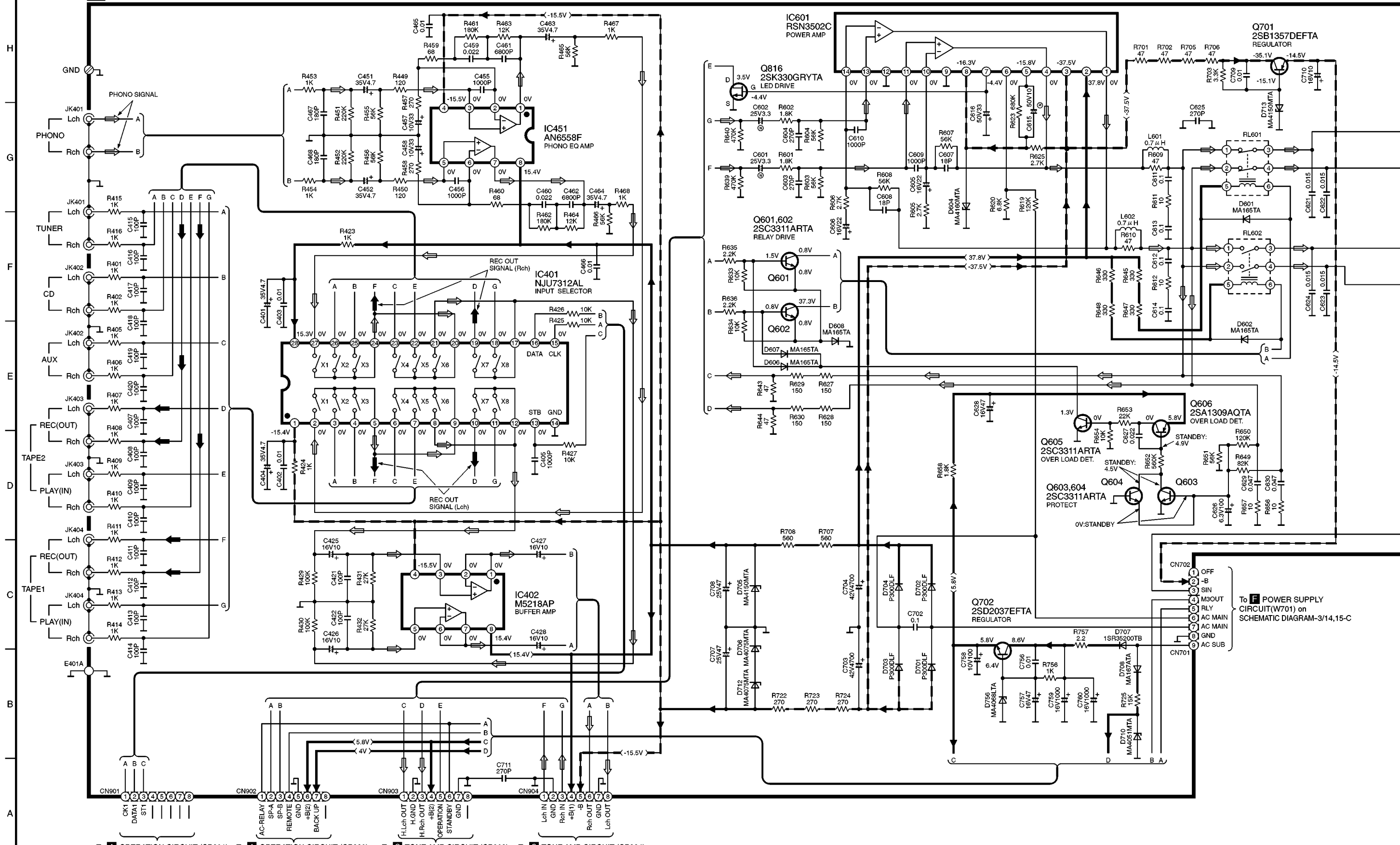


SU-V500M2(E,EB,EG) OPERATION,VOLUME,TONE AMP,HEADPHONES JACK CIRCUIT DIAGRAM

SCHEMATIC DIAGRAM-2

E MAIN CIRCUIT

→ : POSITIVE VOLTAGE LINE → : NEGATIVE VOLTAGE LINE ⇨ : PHONO SIGNAL LINE ⇨ : REC OUT SIGNAL LINE

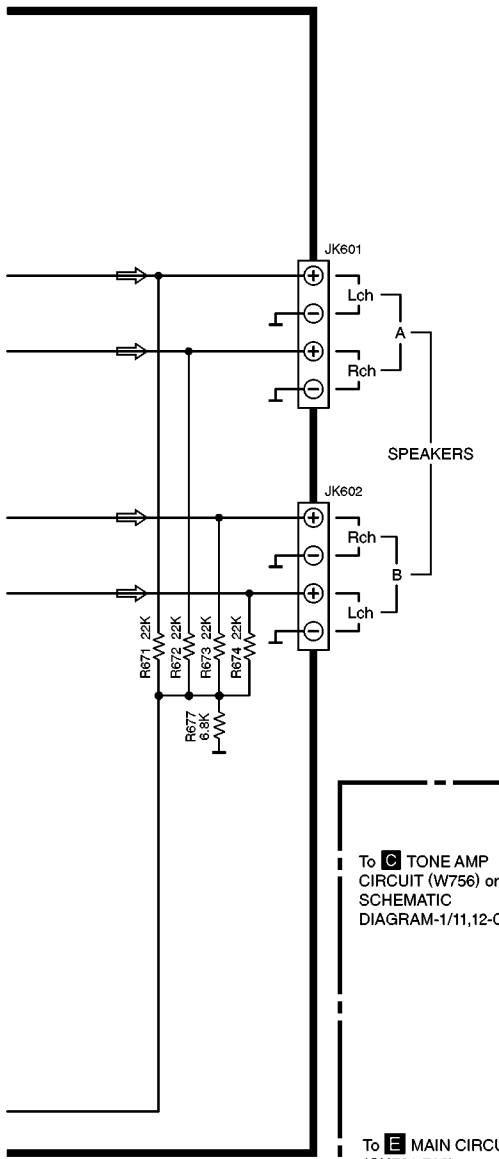


To **A** OPERATION CIRCUIT (CP901) on SCHEMATIC DIAGRAM-1/1-H
 To **A** OPERATION CIRCUIT (CP902) on SCHEMATIC DIAGRAM-1
 To **C** TONE AMP CIRCUIT (CP903) on SCHEMATIC DIAGRAM-1/10,11-H
 To **C** TONE AMP CIRCUIT (CP904) on SCHEMATIC DIAGRAM-1/9-H

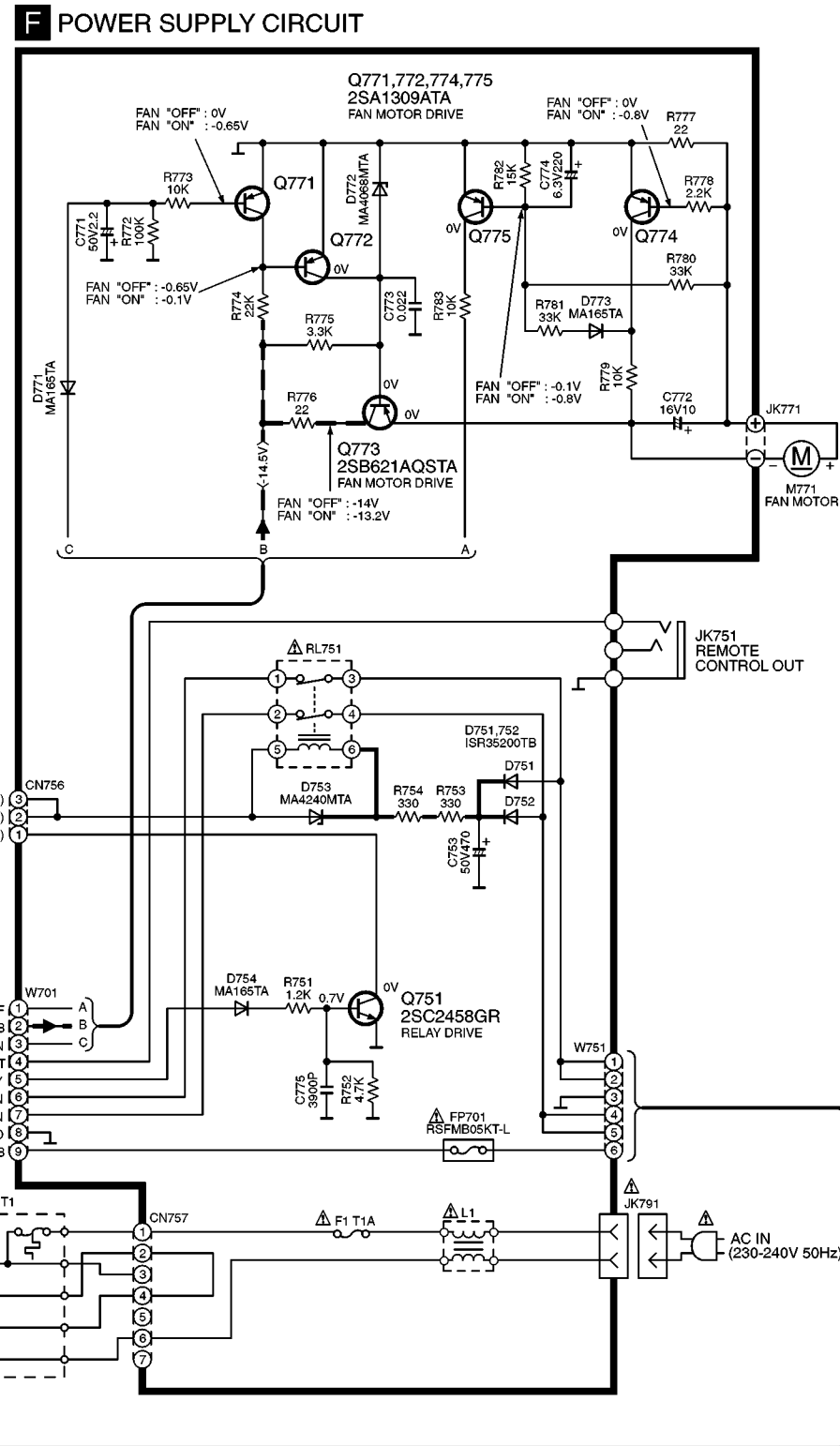
To **F** POWER SUPPLY CIRCUIT (W701) on SCHEMATIC DIAGRAM-3/14,15-C

SCHEMATIC DIAGRAM-3

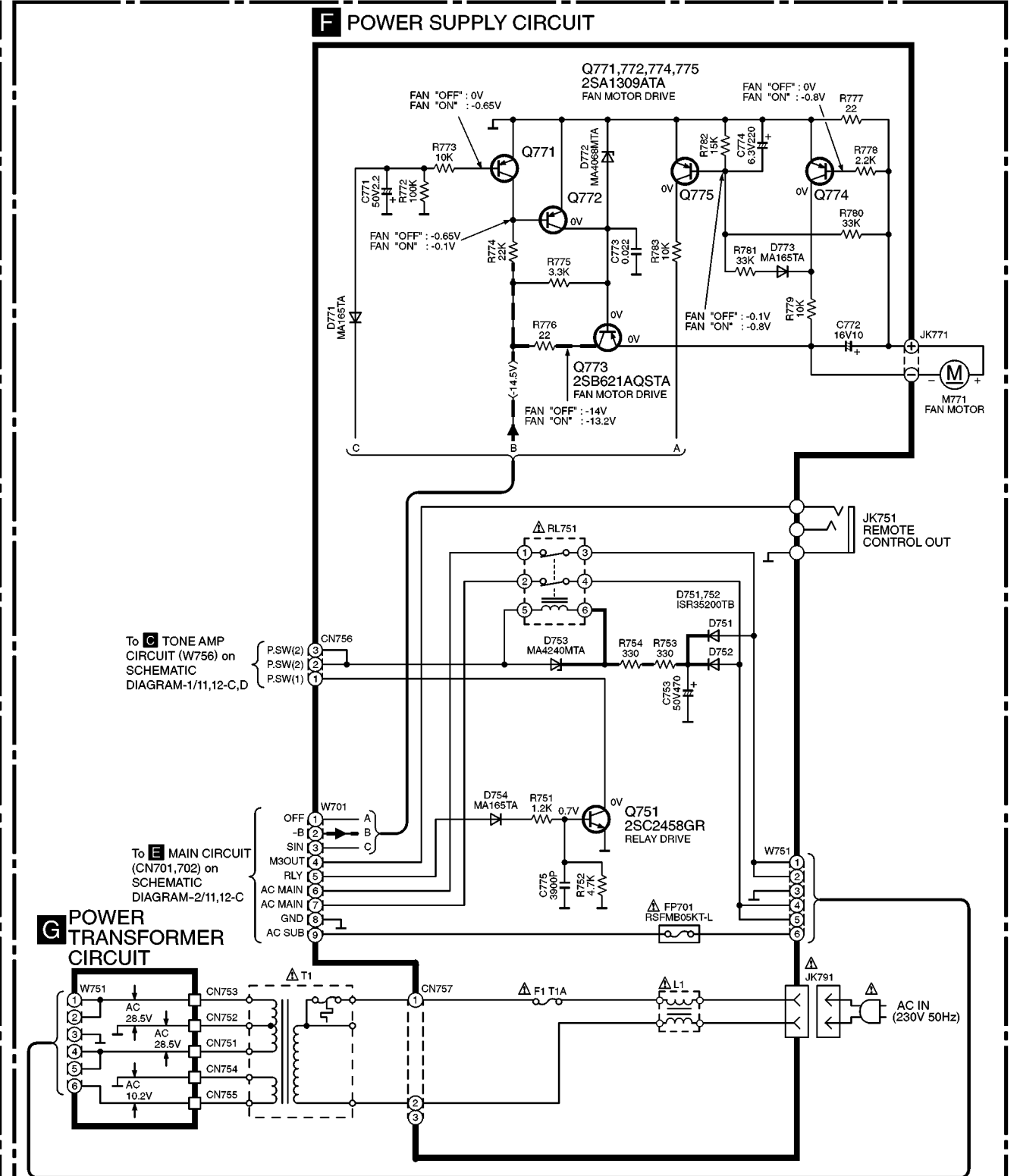
→ : POSITIVE VOLTAGE LINE →- - - : NEGATIVE VOLTAGE LINE ⇨ : PHONO SIGNAL LINE



For [EB] area.



For [E,EG] areas.

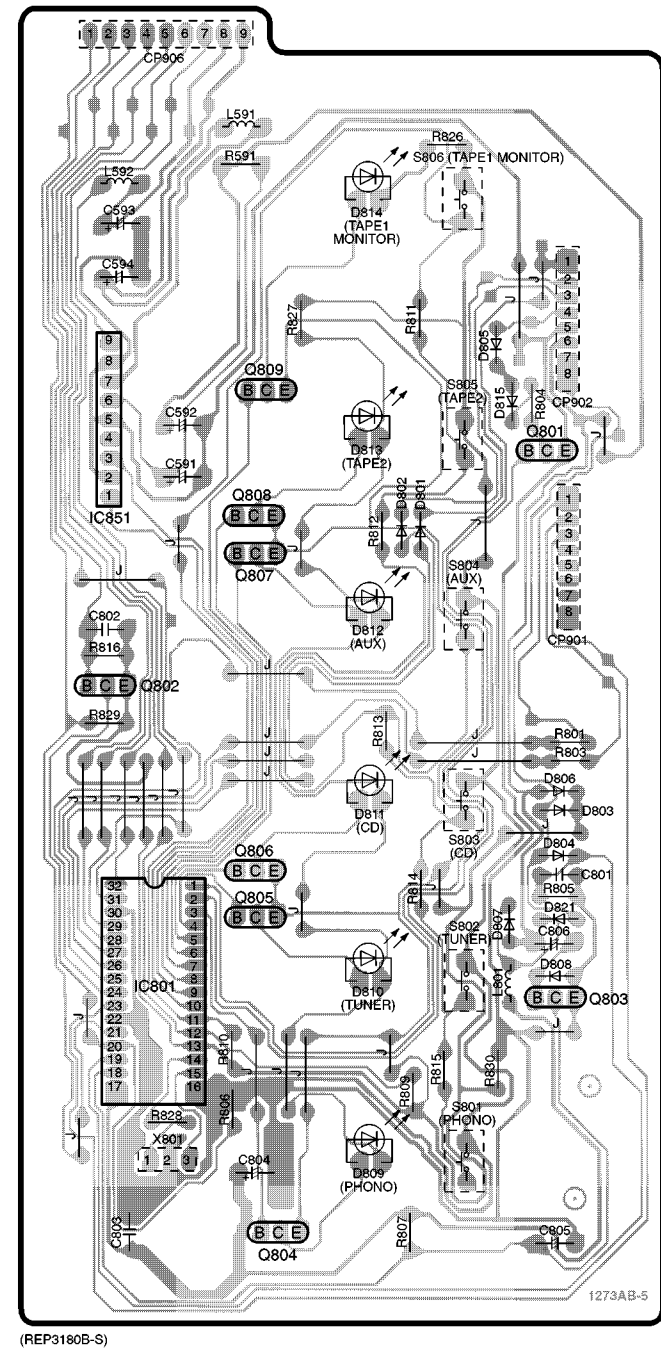


SU-V500M2(E,EB,EG) MAIN,POWER SUPPLY,POWER TRANSFORMER CIRCUIT DIAGRAM

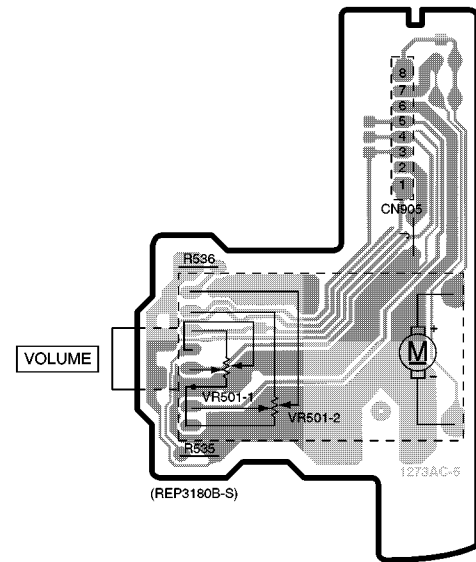
3.4. Change of Printed Circuit Board Diagram

Note: This printed circuit board diagram may be modified at any time with the development of new technology.

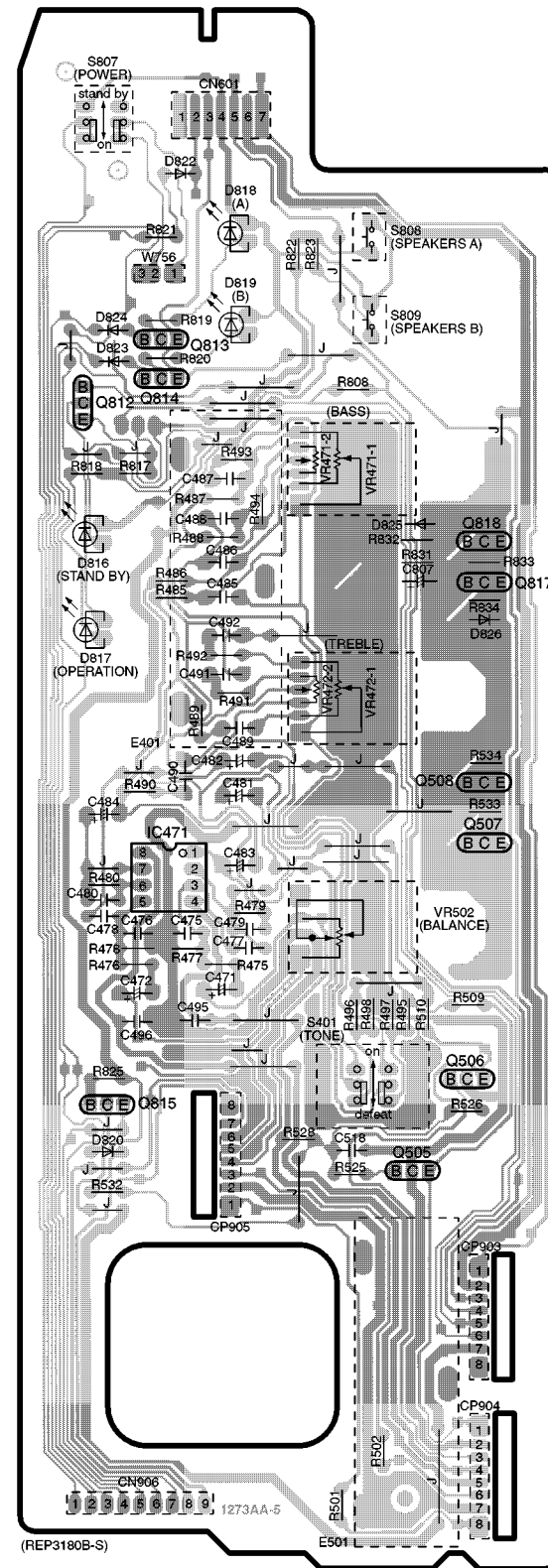
A OPERATION P.C.B.



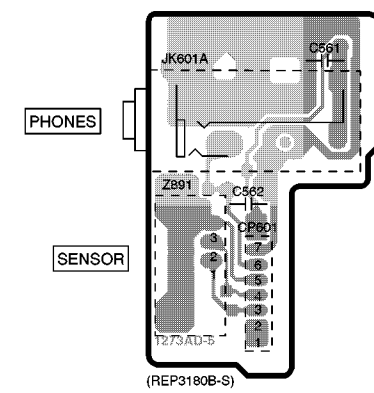
B VOLUME P.C.B.



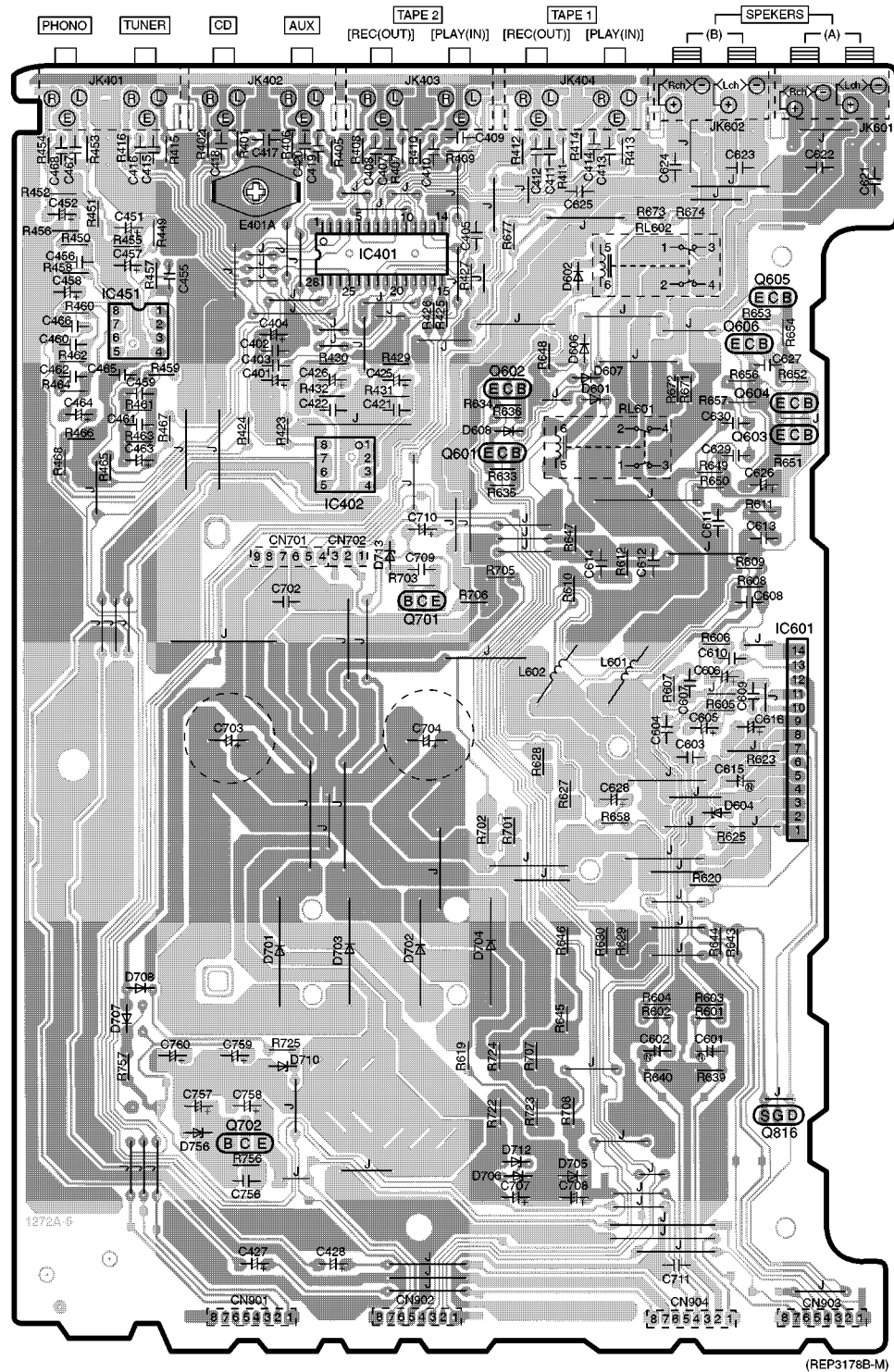
C TONE AMP P.C.B.



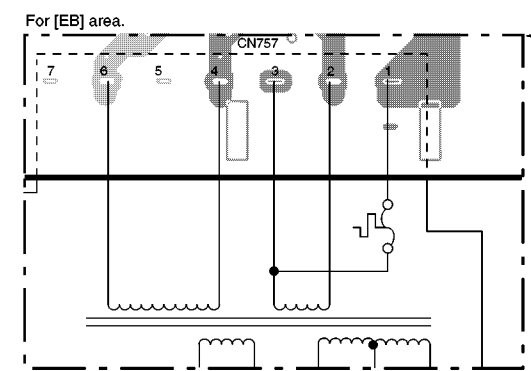
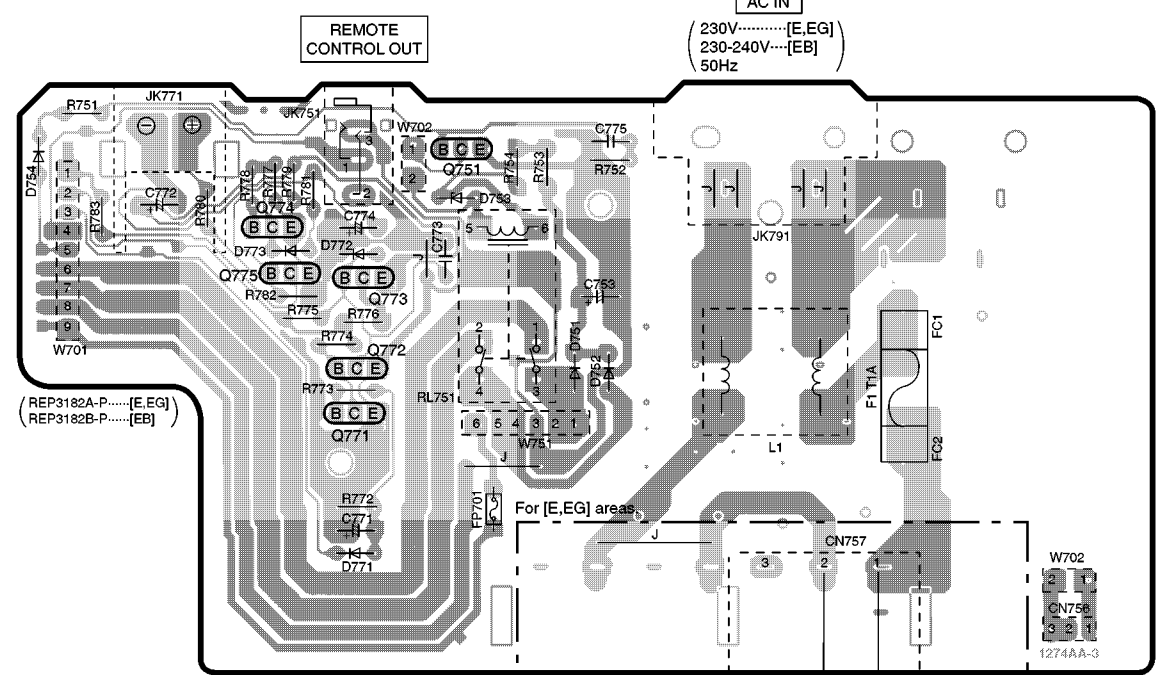
D HEADPHONES JACK P.C.B.



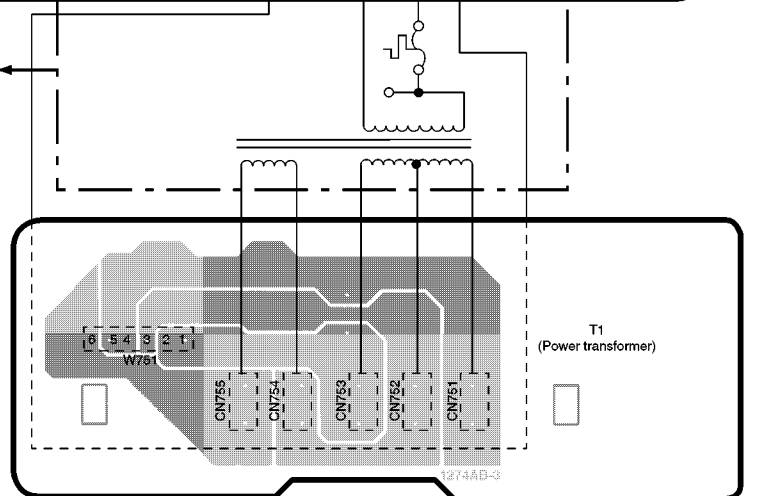
E MAIN P.C.B.



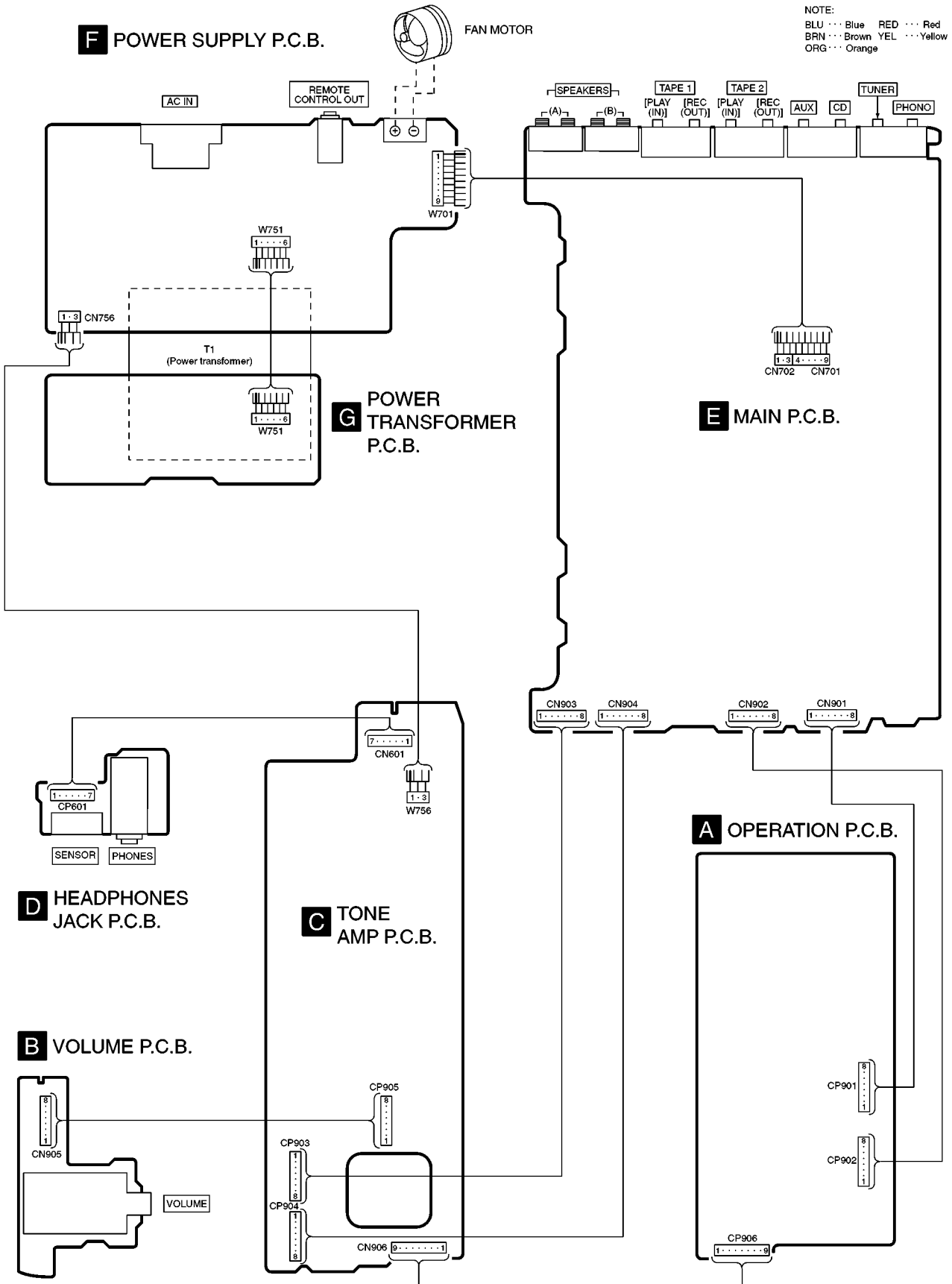
F POWER SUPPLY P.C.B.



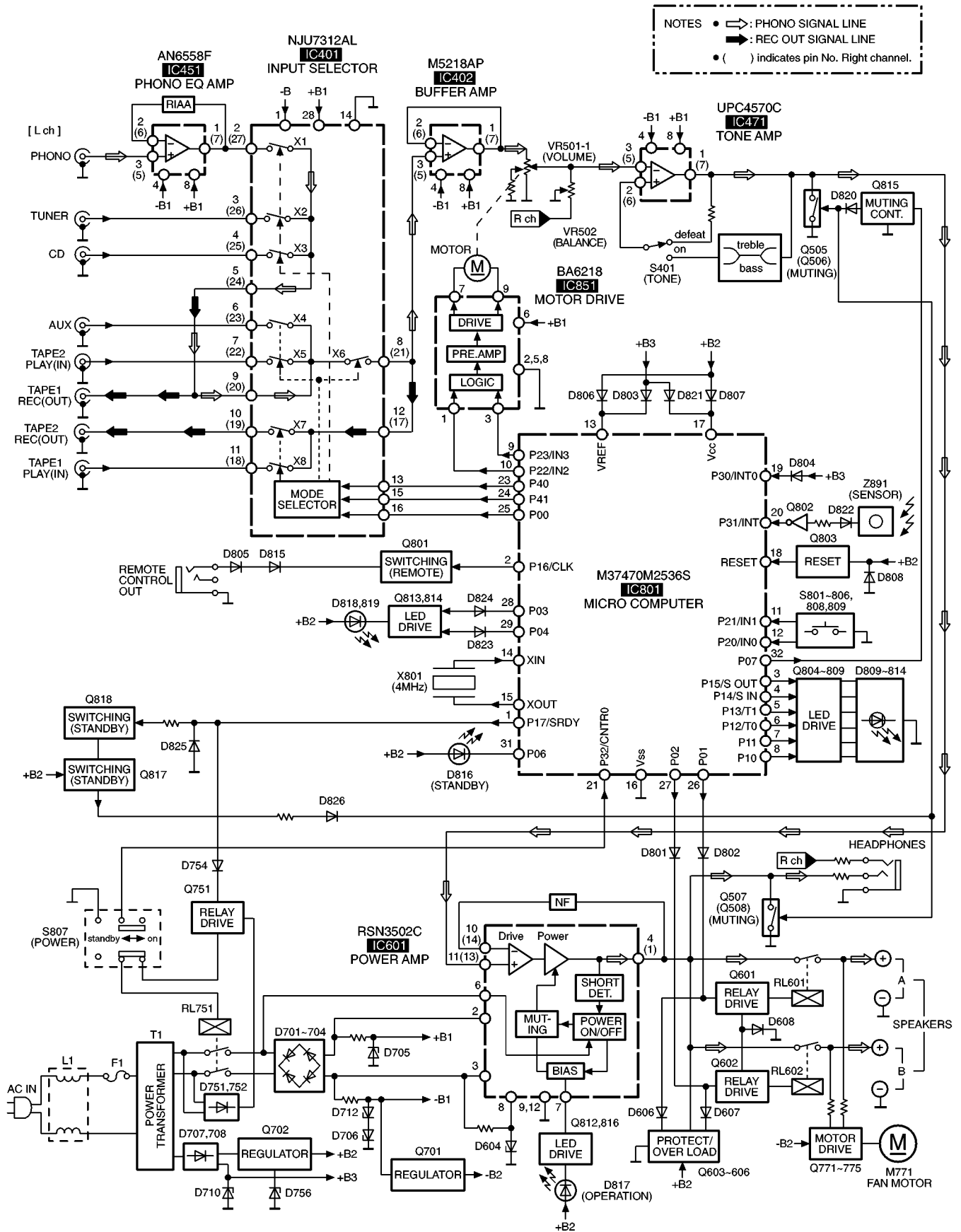
G POWER TRANSFORMER P.C.B. (REP3182A-P.....[E,EG] / REP3182B-P.....[EB])



3.5. Change of Wiring Connection Diagram



3.6. Change of Block Diagram



3.7. Change of Replacement Parts List

Notes:

- Important safety notice:

Components identified by Δ mark have special characteristics important for safety.

Furthermore, special parts which have purposes of fire-retardant (resistors), high-quality sound (capacitors), low-noise (resistors), etc. are used.

When replacing any of components, be sure to use only manufacture's specified parts shown in the parts list.

- The parenthesized indications in the Remarks columns specify the areas. (Refer to the cover page for area.)

- The marking [RTL] indicates that Retention Time is Limited for this item. After the discontinuation of this assembly in production, it will no longer be available.

- All parts are supplied by MESA.

Ref. No.	Part No.	Part Name & Description	Pcs	Remarks
26	REM0020-1	FAN UNIT	1	
26-1	MDN-4RB4MRC	FAN MOTOR	1	MDN4RB4MRC
26-2	RMQ0208-K	FAN MOTOR COVER	1	
26-3	RMQ0209-K	FAN CASE	1	
26-4	RMQ0212-K	FAN TERMINAL	1	
26-5	SHE232-1	FAN	1	
26-6	SUS271	SPRING	1	
C401	ECEA1VKA4R7B	35V 4.7U	1	
C402,03	ECBA1E103ZF5	25V 0.01U	2	ECBT1E103ZF3
C404	ECEA1VKA4R7B	35V 4.7U	1	
C405	ECBT1H102KB3	16V 1000P	1	
C407-22	ECBA1H101KB5	50V 100P	16	
C425-28	ECEA1CKS100	16V 10U	4	
C451,52	ECEA1VKA4R7B	35V 4.7U	2	
C455,56	ECBT1H102KB3	16V 1000P	2	
C457,58	RCE1AKA330BG	10V 33U	2	F2A1A330A011
C459,60	ECQB1H223JF3	50V 0.022U	2	
C461,62	ECQB1H682JF3	50V 6800P	2	
C463,64	ECEA1VKA4R7B	35V 4.7U	2	
C465,66	ECBA1E103ZF5	25V 0.01U	2	ECBT1E103ZF3
C467,68	ECBT1H181KB5	50V 180P	2	
C471,72	RCE1HKA3R3BG	50V 3.3U	2	F2A1H3R3A015
C475,76	ECBA1H101KB5	50V 100P	2	
C477,78	ECBT1H221KB5	50V 220P	2	F1D1H221A012
C479,80	ECBT1H560J3	50V 56P	2	
C481,82	ECEA1VKA4R7B	35V 4.7U	2	
C483,84	ECA1HAK010XI	50V 1U	2	
C485,86	ECFR1E123KR	25V 0.012U	2	F1C1E123A005
C487,88	ECQV1H683JZ3	50V 0.068U	2	
C489,90	ECQB1H392JF3	50V 3900P	2	
C491,92	ECFR1E273KR	25V 0.027U	2	F1C1E273A011
C495,96	ECBA1E103ZF5	25V 0.01U	2	ECBT1E103ZF3
C518	ECBA1E103ZF5	25V 0.01U	1	ECBT1E103ZF3
C561,62	ECBT1H102KB3	16V 1000P	2	
C591,92	ECEA0JKS101	6.3V 100U	2	
C593,94	ECEA1AKS220	10V 22U	2	
C601,02	ECEA1EKN3R3B	25V 3.3U	2	
C603,04	ECBT1H271KB5	50V 270P	2	F1D1H271A012
C605,06	ECEA1CKS220	16V 22U	2	
C607,08	ECCR1H180JC5	50V 18P	2	
C609,10	ECBT1H102KB3	16V 1000P	2	
C611-14	ECQV1H104JM3	50V 0.1U	4	
C615	ECEA1HN100SB	50V 10U	1	
C616	ECEA1HKA330B	50V 33U	1	
C621-24	ECQB1H153JF3	50V 0.015U	4	
C625	ECBT1H271KB5	50V 270P	1	F1D1H271A012
C626	ECEA0JKS101	6.3V 100U	1	
C627	TCBA1E223ZF	25V 0.022U	1	

Ref. No.	Part No.	Part Name & Description	Pcs	Remarks
C628	RCE1CKA470BG	16V 47U	1	F2A1C470A017
C629,30	ECQV1H473JM3	50V 0.047U	2	
C702	ECQE2104KF3	250V 0.1U	1	
C703,04	ECESX42472KM	42V 4700U	2	
C707,08	ECEA1EKA470B	25V 47U	2	
C709	ECCR1H103ZF5	50V 0.01U	1	F1B1H1030001
C710	ECEA1CKS100	16V 10U	1	
C711	ECBT1H271KB5	50V 270P	1	F1D1H271A012
C753	ECALHM471	50V 470U	1	
C756	ECCR1H103ZF5	50V 0.01U	1	F1B1H1030001
C757	RCE1CKA470BG	16V 47U	1	F2A1C470A017
C758	RCE1AKA101BG	10V 100U	1	F2A1A1010020
C759,60	RCE1CML02BV	16V 1000U	2	F2A1C102A031
C771	ECEA1HKS2R2	50V 2.2U	1	
C772	ECEA1CKS100	16V 10U	1	
C773	TCBA1E223ZF	25V 0.022U	1	
C774	F2A0J221A143	6.3V 220U	1	
C775	ECBT1C392KR5	16V 3900P	1	F1D1C392A010
C801	ECBT1C103NS5	16V 0.01U	1	
C802	ECQB1H103JZ	50V 0.01U	1	
C803	ECBT1C103NS5	16V 0.01U	1	
C804	ECA0JAM102XB	6.3V 1000U	1	
C805	RCE1HKAR47BG	50V 0.47U	1	F2A1HR47A015
C806	ECEA1HKS2R2	50V 2.2U	1	
C807	ECEA1EKS4R7	25V 4.7U	1	
CN601	RJU057W007	CONNECTOR (7P)	1	K1KB07B00017
CN701	RJS1A6606T1	CONNECTOR (6P)	1	K1MP06A00009
CN702	RJS1A6603T1	CONNECTOR (3P)	1	K1MP03A00010
CN751-55	RJS1A1101T1	CONNECTOR (1P)	5	
CN756	RJS1A6603T1	CONNECTOR (3P)	1	K1MP03A00010
CN757	SJS305-1	CONNECTOR (3P)	1	K1ML03B00002 (E) (EG)
CN757	SJS702-2	CONNECTOR (7P)	1	K1ML07B00003 (EB)
CN901-05	RJU003K008M1	CONNECTOR (8P)	5	K1KB08A000046
CN906	SJS50982JQH	CONNECTOR (9P)	1	K1KB09B00022
CP601	RJT057W007-1	CONNECTOR (7P)	1	K1KA07A00102
CP901-05	RJT003K008-1	CONNECTOR (8P)	5	K1KA08C00002
CP906	SJT30945JQ	CONNECTOR (9P)	1	K1KA09B00044
D601,02	MA165	DIODE	2	MA2C165
D604	MA4160M	DIODE	1	MAZ41600M
D606-08	MA165	DIODE	3	MA2C165
D701-04	P300DLF	DIODE	4	B0EAMM000025
D705	MA4150-M	DIODE	1	MAZ41500M
D706	MA4075M	DIODE	1	MAZ40750M
D707	1SR35200TB	DIODE	1	B0EAKM000076
D708	MA167	DIODE	1	MA2C167
D710	MA4051M	DIODE	1	MAZ40510M
D712	MA4075M	DIODE	1	MAZ40750M
D713	MA4150-M	DIODE	1	MAZ41500M
D751,52	1SR35200TB	DIODE	2	B0EAKM000076
D753	MA4240H	DIODE	1	MAZ42400H
D754	MA165	DIODE	1	MA2C165
D756	MA4068L	DIODE	1	MAZ40680L
D771	MA165	DIODE	1	MA2C165
D772	MA4068M	DIODE	1	MAZ40680M
D773	MA165	DIODE	1	MA2C165
D801-06	MA165	DIODE	6	MA2C165
D807	1SS291TA	DIODE	1	
D808	MA165	DIODE	1	MA2C165
D809-13	LN018304P	LED	5	
D814	LN014304P	LED	1	
D815	MA165	DIODE	1	MA2C165
D816-19	LN018304P	LED	4	
D820	MA165	DIODE	1	MA2C165

Ref. No.	Part No.	Part Name & Description	Pcs	Remarks
D821	1SS291TA	DIODE	1	
D822-26	MA165	DIODE	5	MA2C165
F1	XBA2C10TB0	FUSE	1	K5D102BL0005 △
FP701	RSFMB05KT-L	FUSE PROTECTOR	1	K5G500A00002 △
IC401	NJU7312AL	IC	1	C0JZAS000001
IC402	M5218AP	IC	1	C0AABB000055
IC451	AN6558F	IC	1	
IC471	UPC4570C	IC	1	C0AABB000016
IC601	RSN3502C	IC	1	
IC801	M37470M2536S	IC	1	C2BADB000023
IC851	BA6218	IC	1	C0GAE0000007
JK401-04	SJF3069N	JACK, IN/OUT TERMINAL	4	K2HA204B0087
JK601A	RJG63TA01	JACK, HEADPHONES	1	K2HB103J0064
JK601,02	RJR0054	JACK, SPEAKER	2	K4BC04B00012
JK751	RJJ33TR01	JACK, REMOTE CONT. OUT	1	K2HC103B0089
JK771	RJS1A7002-1	JACK, MOTOR CONNECTOR	1	K2A12B000002
JK791	SJF9236-1	JACK, AC IN	1	△
L1	RLQZ271M	COIL	1	ELF18D293DR △
L591, 92	ELSE101K	COIL	2	
L601, 02	SLQY07G-40	COIL	2	G0ZZ00001629
L801	ELEXT101KA9	COIL	1	
PCB1	REP3178B-M	MAIN P.C.B.ASS'Y	1	[RTL]
PCB2	REP3182A-P	P.C.B.ASS'Y	1	[RTL] (E) (EG)
PCB2	REP3182B-P	P.C.B.ASS'Y	1	[RTL] (EB)
PCB3	REP3180B-S	P.C.B.ASS'Y	1	[RTL]
Q505-08	2SD1915FTA	TRANSISTOR	4	
Q601-05	2SC3311AR	TRANSISTOR	5	
Q606	2SA1309AR	TRANSISTOR	1	2SA1309AQA
Q701	2SB1357DEFTA	TRANSISTOR	1	
Q702	2SD2037EFTA	TRANSISTOR	1	
Q751	2SC2458GR	TRANSISTOR	1	
Q771, 72	2SA1309ATA	TRANSISTOR	2	2SA1309AWA
Q773	2SB621A-R	TRANSISTOR	1	2SB0621AH
Q774, 75	2SA1309ATA	TRANSISTOR	2	2SA1309AWA
Q801	UN4211	TRANSISTOR	1	UNR4211
Q802	2SA1309ATA	TRANSISTOR	1	2SA1309AWA
Q803	UN4211	TRANSISTOR	1	UNR4211
Q804-09	UN4111	TRANSISTOR	6	UNR4111
Q812	UN4211	TRANSISTOR	1	UNR4211
Q813, 14	UN4111	TRANSISTOR	2	UNR4111
Q815	2SA1309AR	TRANSISTOR	1	2SA1309ARA
Q816	2SK330GRYTA	TRANSISTOR	1	
Q817	DTA124ESTP	TRANSISTOR	1	B1GCCFLL0003
Q818	2SC3311AR	TRANSISTOR	1	
R401, 02	ERDS2FJ102	1/4W 1K	2	
R405-16	ERDS2FJ102	1/4W 1K	12	
R423, 24	ERDS2FJ102	1/4W 1K	2	
R425-27	ERDS2FJ103	1/4W 10K	3	
R429, 30	ERDS2FJ104	1/4W 100K	2	
R431, 32	ERDS2FJ273	1/4W 27K	2	
R449, 50	ERDS2FJ121	1/4W 120	2	
R451, 52	ERDS2FJ224	1/4W 220K	2	
R453, 54	ERDS2FJ102	1/4W 1K	2	
R455, 56	ERDS2FJ563	1/4W 56K	2	
R457, 58	ERDS2FJ271	1/4W 270	2	
R459, 60	ERDS2FJ680	1/4W 68	2	
R461, 62	ERDS2FJ184	1/4W 180K	2	
R463, 64	ERDS2FJ123	1/4W 12K	2	
R465, 66	ERDS2FJ563	1/4W 56K	2	

Ref. No.	Part No.	Part Name & Description	Pcs	Remarks
R467, 68	ERDS2FJ102	1/4W 1K	2	
R475, 76	ERDS2FJ471	1/4W 470	2	
R477, 78	ERDS2FJ104	1/4W 100K	2	
R479, 80	ERDS2FJ474	1/4W 470K	2	
R485, 86	ERDS2FJ223	1/4W 22K	2	
R487-90	ERDS2FJ392	1/4W 3.9K	4	
R491, 92	ERDS2FJ102	1/4W 1K	2	
R493, 94	ERDS2FJ563	1/4W 56K	2	
R495, 96	ERDS2FJ223	1/4W 22K	2	
R497, 98	ERDS2FJ392	1/4W 3.9K	2	
R501, 02	ERDS2FJ222	1/4W 2.2K	2	
R509, 10	ERDS2FJ222	1/4W 2.2K	2	
R525, 26	ERDS2FJ102	1/4W 1K	2	
R528	ERDS2FJ394	1/4W 390K	1	
R532	ERDS2FJ103	1/4W 10K	1	
R533, 34	ERDS2FJ102	1/4W 1K	2	
R535, 36	ERDS2FJ103	1/4W 10K	2	
R591	ERG2SJ270E	2W 27	1	
R601, 02	ERDS2FJ182	1/4W 1.8K	2	
R603, 04	ERDS2FJ563	1/4W 56K	2	
R605, 06	ERDS2FJ272	1/4W 2.7K	2	
R607, 08	ERDS2FJ563	1/4W 56K	2	
R609, 10	ERDS2FJ470	1/4W 47	2	
R611, 12	ERDS1FJ100	1/2W 10	2	
R619	ERDS2FJ124	1/4W 120K	1	
R620	ERDS2FJ682	1/4W 6.8K	1	
R623	ERDS2FJ684	1/4W 680K	1	
R625	ERDS1FJ272	1/2W 2.7K	1	
R627-30	ERG1SJ151	1W 150	4	
R633, 34	ERDS2FJ103	1/4W 10K	2	
R635, 36	ERDS2FJ222	1/4W 2.2K	2	
R639, 40	ERDS2FJ474	1/4W 470K	2	
R643, 44	ERDS2FJ470	1/4W 47	2	
R645-48	ERDS1FJ331	1/2W 330	4	
R649	ERDS2FJ823	1/4W 82K	1	
R650	ERDS2FJ124	1/4W 120K	1	
R651	ERDS2FJ563	1/4W 56K	1	
R652	ERDS2FJ564	1/4W 560K	1	
R653	ERDS2FJ223	1/4W 22K	1	
R654	ERDS2FJ103	1/4W 10K	1	
R656, 57	ERDS1FJ100	1/2W 10	2	
R658	ERDS2FJ182	1/4W 1.8K	1	
R671-74	ERDS2FJ223	1/4W 22K	4	
R677	ERDS2FJ682	1/4W 6.8K	1	
R701, 02	ERG1SJ470	1W 47	2	
R703	ERDS2FJ332	1/4W 3.3K	1	
R705, 06	ERG1SJ470	1W 47	2	
R707, 08	ERDS1FJ561	1/2W 560	2	
R722-24	ERDS1FJ271	1/2W 270	3	
R725	ERDS2FJ153	1/4W 15K	1	
R751	ERDS2FJ122	1/4W 1.2K	1	
R752	ERDS2FJ472	1/4W 4.7K	1	
R753, 54	ERG1SJ331	1W 330	2	
R756	ERDS2FJ102	1/4W 1K	1	
R757	ERDS1FJ2R2	1/2W 2.2	1	
R772	ERDS2FJ104	1/4W 100K	1	
R773	ERDS2FJ103	1/4W 10K	1	
R774	ERDS2FJ223	1/4W 22K	1	
R775	ERDS2FJ332	1/4W 3.3K	1	
R776	ERDS1FJ220	1/2W 22	1	
R777	ERDS2FJ220	1/4W 22	1	
R778	ERDS2FJ222	1/4W 2.2K	1	
R779	ERDS2FJ103	1/4W 10K	1	
R780, 81	ERDS2FJ333	1/4W 33K	2	
R782	ERDS2FJ153	1/4W 15K	1	
R783	ERDS2FJ103	1/4W 10K	1	
R801	ERDS2FJ103	1/4W 10K	1	
R803	ERDS2FJ103	1/4W 10K	1	
R804	ERDS2FJ102	1/4W 1K	1	
R805, 06	ERDS2FJ103	1/4W 10K	2	
R807	ERDS2FJ104	1/4W 100K	1	
R808-10	ERDS2FJ103	1/4W 10K	3	
R811	ERDS2FJ821	1/4W 820	1	

Ref. No.	Part No.	Part Name & Description	Pcs	Remarks
R812	ERDS2FJ102	1/4W 1K	1	
R813	ERDS2FJ122	1/4W 1.2K	1	
R814	ERDS2FJ152	1/4W 1.5K	1	
R815	ERDS2FJ182	1/4W 1.8K	1	
R816	ERDS2FJ473	1/4W 47K	1	
R817	ERDS2FJ221	1/4W 220	1	
R818-20	ERDS2FJ561	1/4W 560	3	
R821	ERDS2FJ223	1/4W 22K	1	
R822	ERDS2FJ821	1/4W 820	1	
R823	ERDS2FJ102	1/4W 1K	1	
R825	ERDS2FJ473	1/4W 47K	1	
R826	ERDS2FJ181	1/4W 180	1	
R827	ERDS2FJ331	1/4W 330	1	
R828	ERDS2FJ102	1/4W 1K	1	
R829	ERDS2FJ103	1/4W 10K	1	
R830	ERDS2FJ472	1/4W 4.7K	1	
R831	ERDS2FJ331	1/4W 330	1	
R832	ERDS2FJ105	1/4W 1M	1	
R833	ERDS2FJ334	1/4W 330K	1	
R834	ERDS2FJ103	1/4W 10K	1	
RL601,0 2	RSY0013M-0	RELAY	2	

Ref. No.	Part No.	Part Name & Description	Pcs	Remarks
RL751	RSY0015M-0	RELAY	1	△
S401	ESB68047	SW, TONE	1	
S801-06	EVQ21405R	SW, PUSH	6	EVQ21405RJ
S807	RSP2B026-A	SW, POWER	1	KOF122A00139
S808,09	EVQ21405R	SW, SPEAKER A/B	2	EVQ21405RJ
T1	RTP2M5B014	POWER TRANSFORMER	1	ETP68VUU713A (EB) △
T1	RTP2M5E012	POWER TRANSFORMER	1	ETP68VUU612A (E) (EG) △
VR471, 7 2	EVJYA1F04C15	VR, BASS/TREBLE	2	
VR501	EUWVG2020B15	VR, VOLUME	1	
VR502	EVJ02QP04G15	VR, BALANCE	1	
X801	EF0EC4004T4	OSCILLATOR	1	EF0EC4004T4
Z891	B3MAZ0000006	COMPONENT COMBINATION	1	

4 Fan cover is added for improvement in safety

- The object models of this chapter are SU-V500M2 and SU-V620M2.

4.1. Change of Replacement Parts List

Note:

- The <IA> <IB> <IC> <ID> <IE> marks in Remarks indicate language of instruction manual.
 - <IA>: English, Spanish, Swedish
 - <IB>: Russian, Polish, Czech
 - <IC>: German, Italian, French
 - <ID>: Netherlands, Danish
 - <IE>: English
- The parenthesized indications in the Remarks columns specify the areas. (Refer to the cover page for area.)

4.1.1. SU-SV520M2

■Original

Ref. No.	Part No.	Part Name & Description	Pcs	Remarks
21	XTBS3+8JFZ1	SCREW	15	
23	XTB3+8JFZ	SCREW	8	
A5	RQT4663-1E	OPERATING INSTRUCTIONS	1	(E) <IA>
A5	RQT4664-1R	OPERATING INSTRUCTIONS	1	(E) <IB>
A5	RQT4665-1D	OPERATING INSTRUCTIONS	1	(EG) <IC>
A5	RQT4666-1H	OPERATING INSTRUCTIONS	1	(EG) <ID>
A5	RQT4667-1B	OPERATING INSTRUCTIONS	1	(EB) <IE>
P4	RPN0684-2	PAD	1	



■Supplement

Ref. No.	Part No.	Part Name & Description	Pcs	Remarks
21	XTBS3+8JFZ1	SCREW	16	Addition
23	XTB3+8JFZ	SCREW	10	Addition
26	REM0020-1	FAN UNIT	1	Addition
26-1	MDN-4RB4MRC	FAN MOTOR	1	MDN4RB4MRC Addition

Ref. No.	Part No.	Part Name & Description	Pcs	Remarks
26-2	RMQ0208-K	FAN MOTOR COVER	1	Addition
26-3	RMQ0209-K	FAN CASE	1	Addition
26-4	RMQ0212-K	FAN TERMINAL	1	Addition
26-5	SHE232-1	FAN	1	Addition
26-6	SUS271	SPRING	1	Addition
27	RGQ0339-K	FAN COVER	1	Addition
A5	RQT4663-3E	OPERATING INSTRUCTIONS	1	(E) <IA> Change
A5	RQT4664-3R	OPERATING INSTRUCTIONS	1	(E) <IB> Change
A5	RQT4665-3D	OPERATING INSTRUCTIONS	1	(EG) <IC> Change
A5	RQT4666-3H	OPERATING INSTRUCTIONS	1	(EG) <ID> Change
A5	RQT4667-3B	OPERATING INSTRUCTIONS	1	(EB) <IE> Change
P4	RPN0684-4	PAD	1	Change

4.1.2. SU-V620M2

■Original

Ref. No.	Part No.	Part Name & Description	Pcs	Remarks
27	XTB3+8JFZ	SCREW	8	
A5	RQT4663-1E	OPERATING INSTRUCTIONS	1	(E) <IA>
A5	RQT4664-1R	OPERATING INSTRUCTIONS	1	(E) <IB>
A5	RQT4665-1D	OPERATING INSTRUCTIONS	1	(EG) <IC>
A5	RQT4666-1H	OPERATING INSTRUCTIONS	1	(EG) <ID>
A5	RQT4667-1B	OPERATING INSTRUCTIONS	1	(EB) <IE>
P4	RPN0684-2	PAD	1	

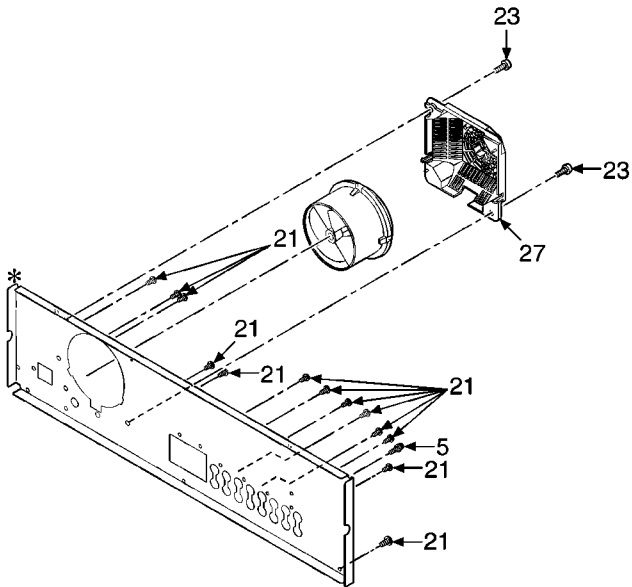


■Supplement

Ref. No.	Part No.	Part Name & Description	Pcs	Remarks
27	XTB3+8JFZ	SCREW	11	Addition
30	RGQ0339-K	FAN COVER	1	Addition
A5	RQT4663-3E	OPERATING INSTRUCTIONS	1	(E) <IA> Change
A5	RQT4664-3R	OPERATING INSTRUCTIONS	1	(E) <IB> Change
A5	RQT4665-3D	OPERATING INSTRUCTIONS	1	(EG) <IC> Change
A5	RQT4666-3H	OPERATING INSTRUCTIONS	1	(EG) <ID> Change
A5	RQT4667-3B	OPERATING INSTRUCTIONS	1	(EB) <IE> Change
P4	RPN0684-4	PAD	1	Change

4.2. Change of Cabinet Parts Location (Only the part to which Fan cover and Fan unit were added.)

4.2.1. SU-V500M2



4.2.2. SU-V620M2

