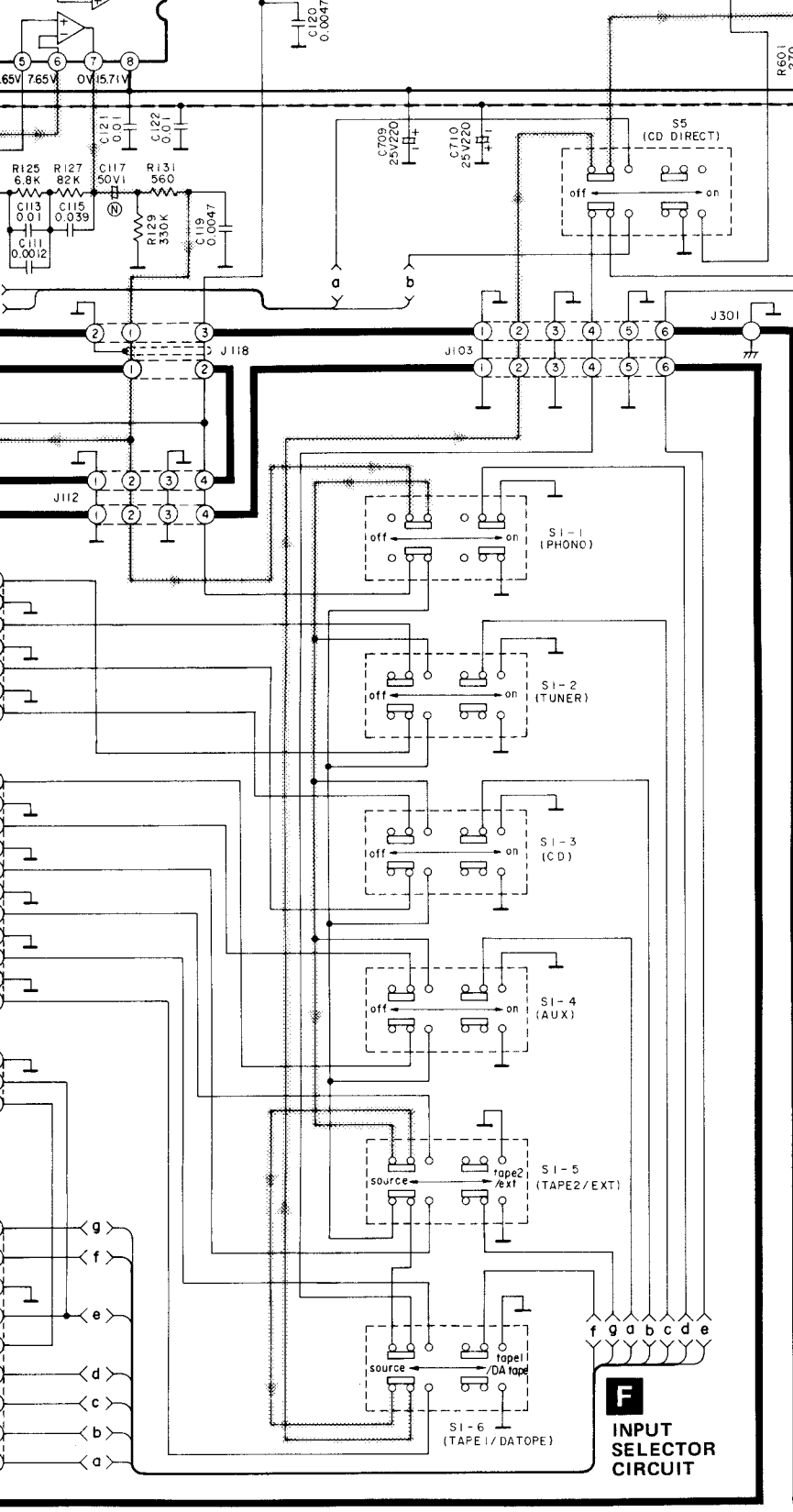
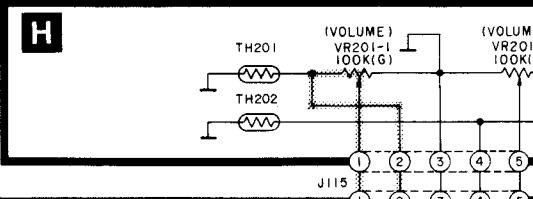
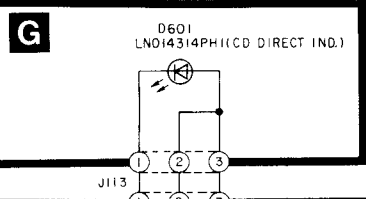
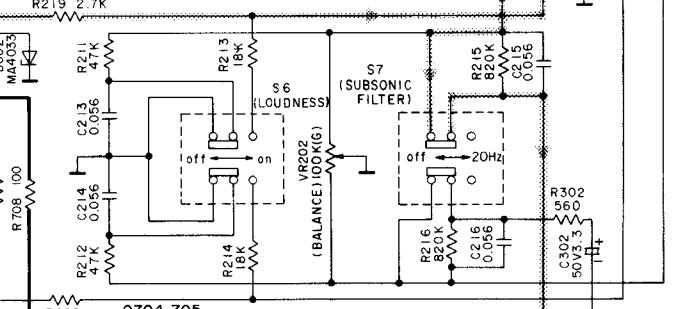


**PHONO EQUALIZER**

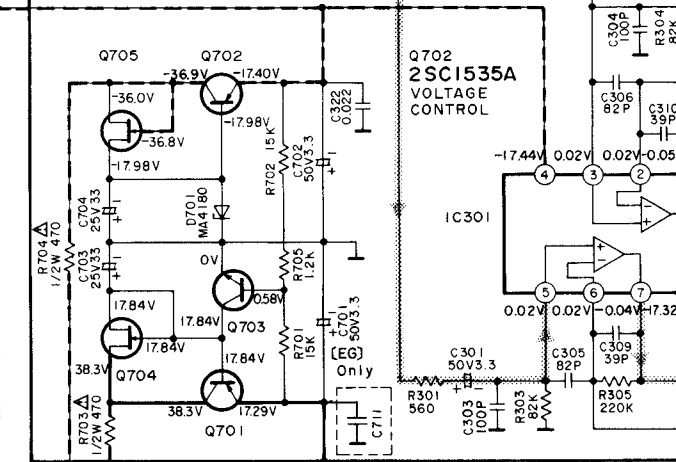
IC101  
μPC4570C  
PHONO EQUALIZER



**F**  
**INPUT  
SELECTOR  
CIRCUIT**



**TONE CONTROL**



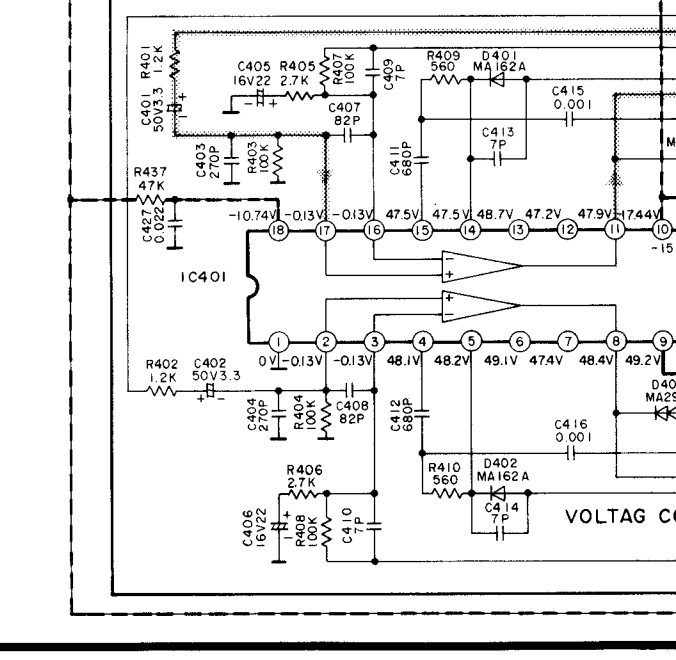
Q701  
2SC3944A  
VOLTAGE CONTROL

Q703  
2SC1685NC  
REGULATOR

IC301  
μPC4570C  
TONE AMP

IC401  
AN7062N  
VOLTAGE AMP

Q401,402  
2SA1123  
PRE DRIV



**VOLTAGE CONTROL**

