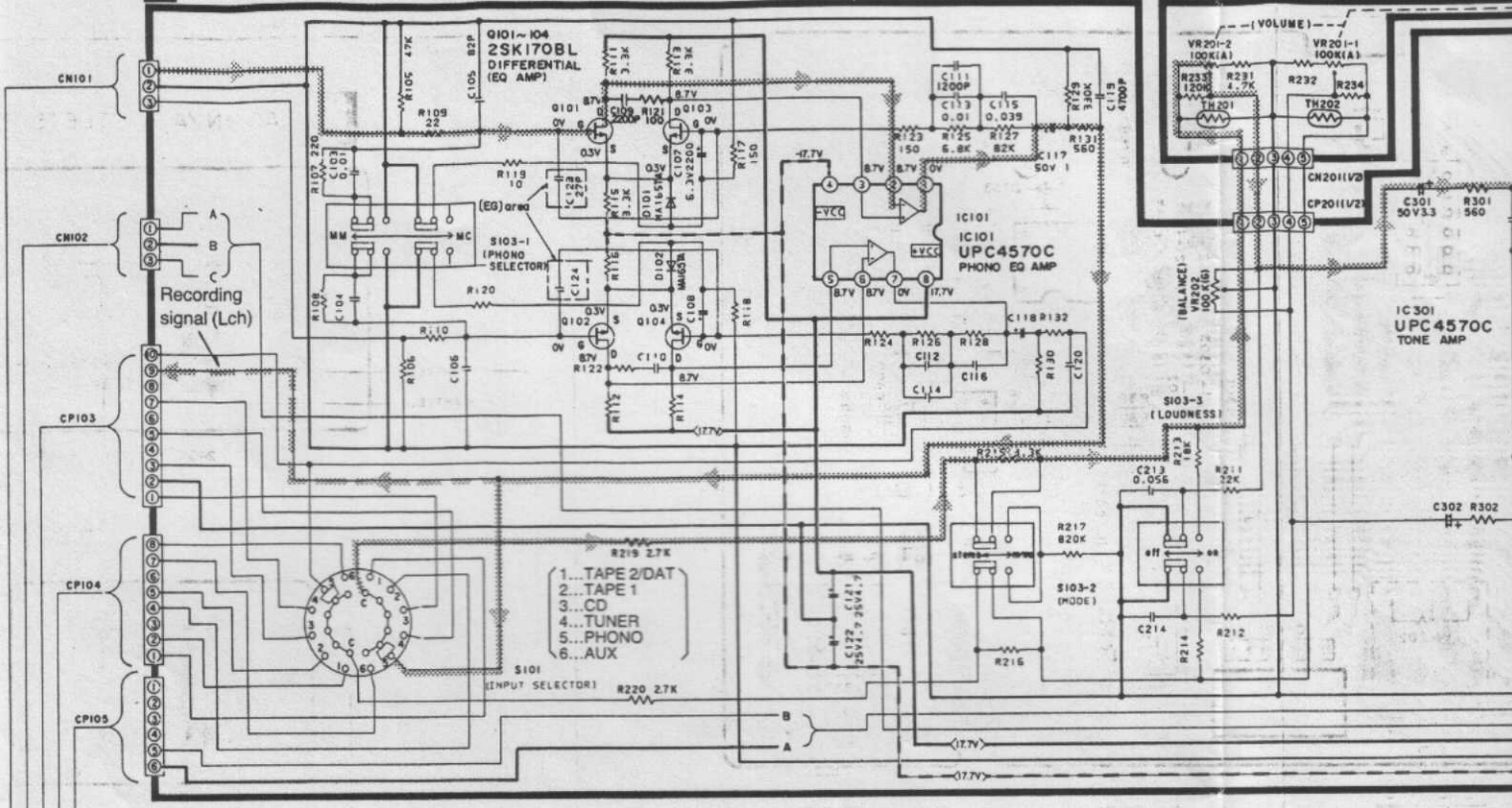
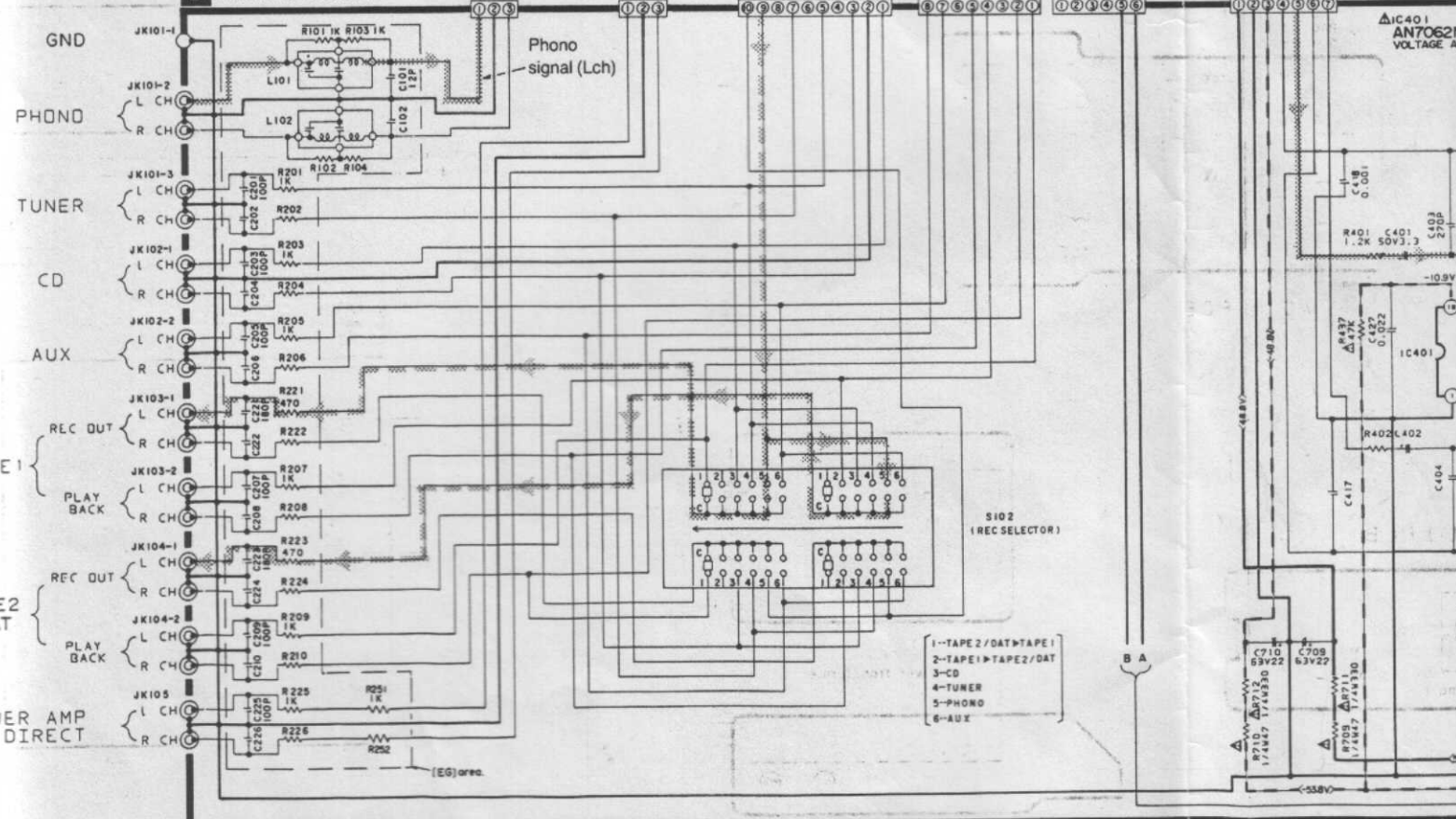


**A PHONO EQ/TONE-AMP CIRCUIT**

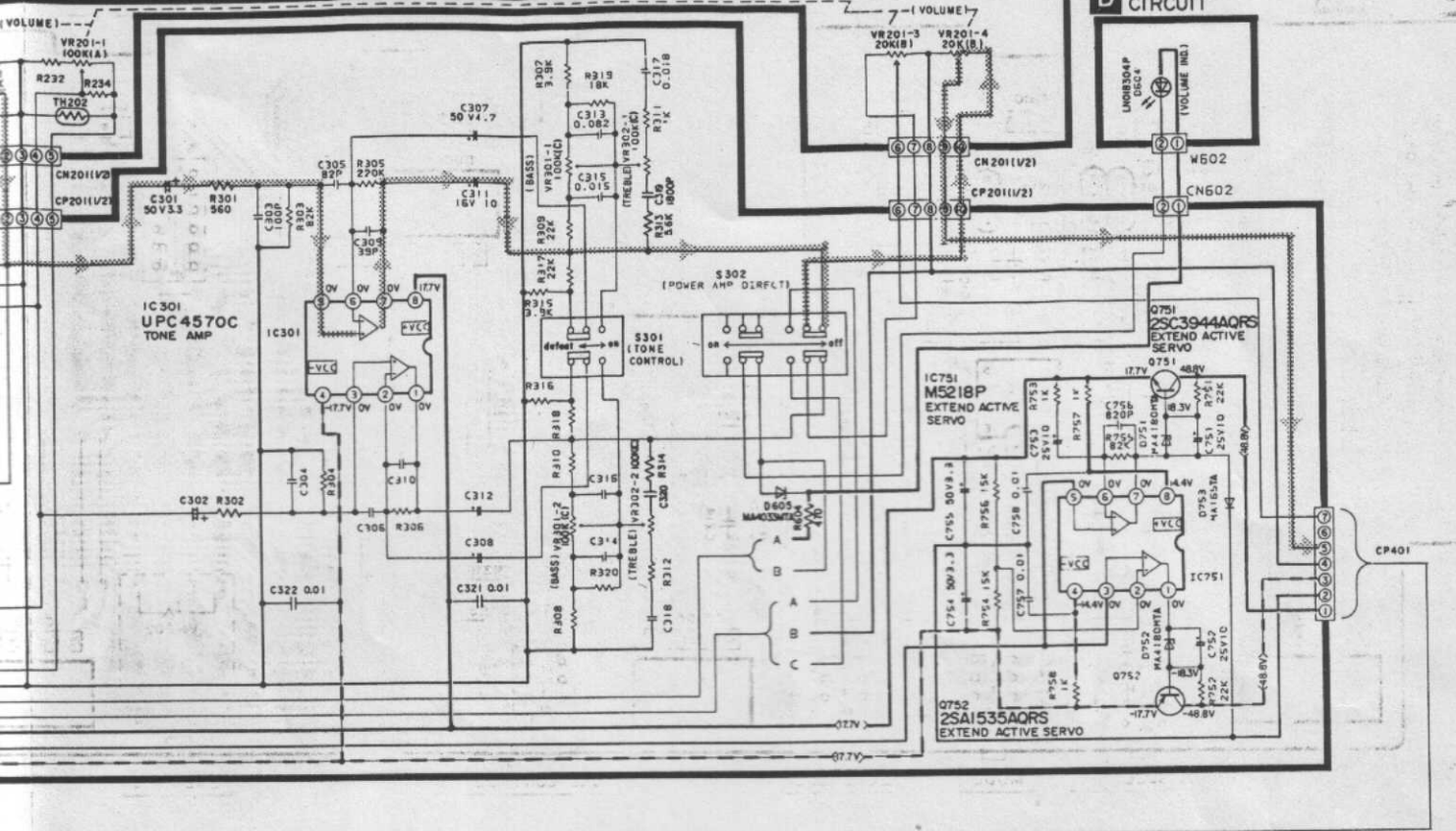
**C VOLUME CIRCUIT**



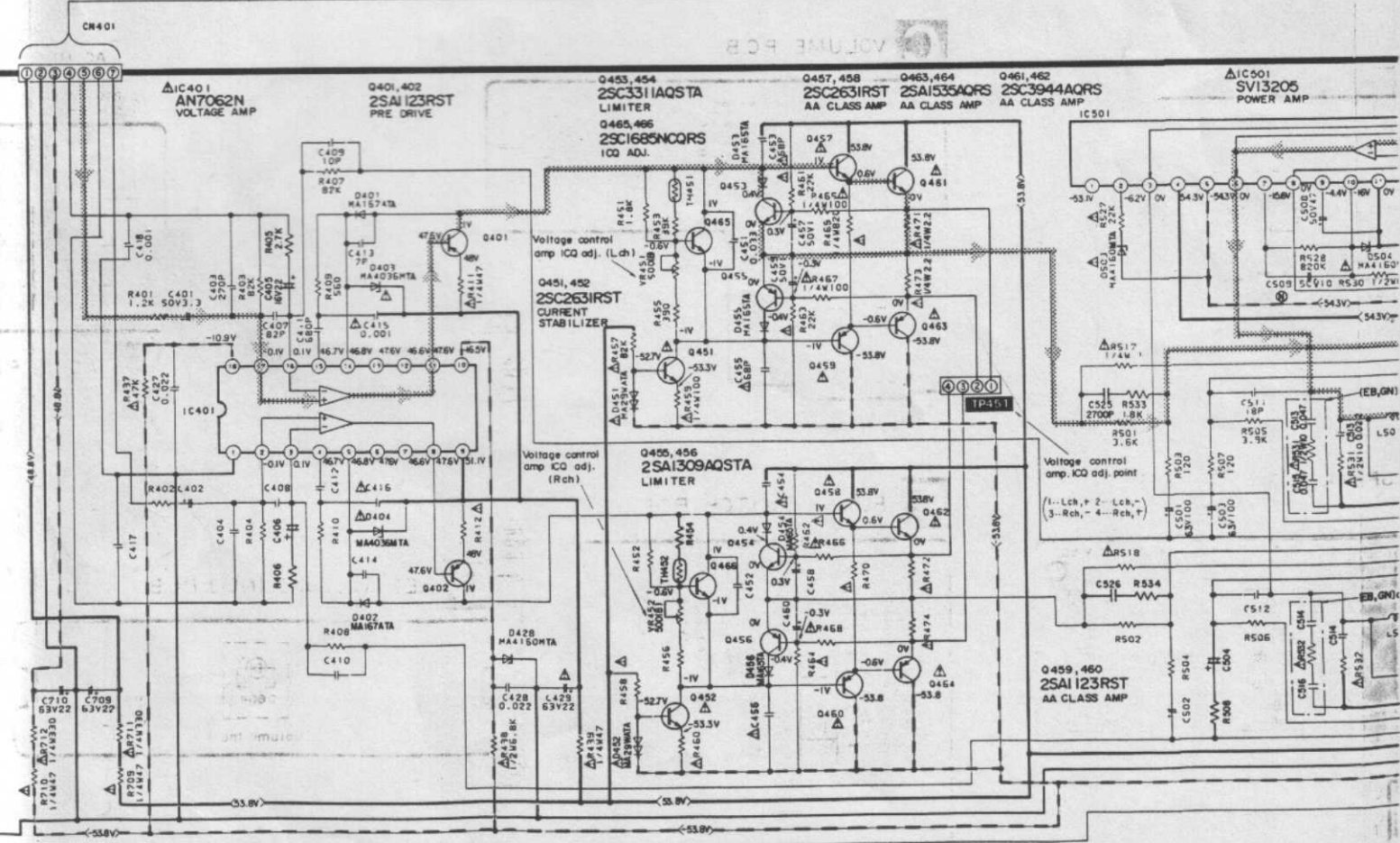
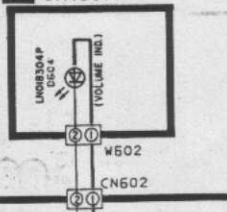
**B MAIN CIRCUIT**



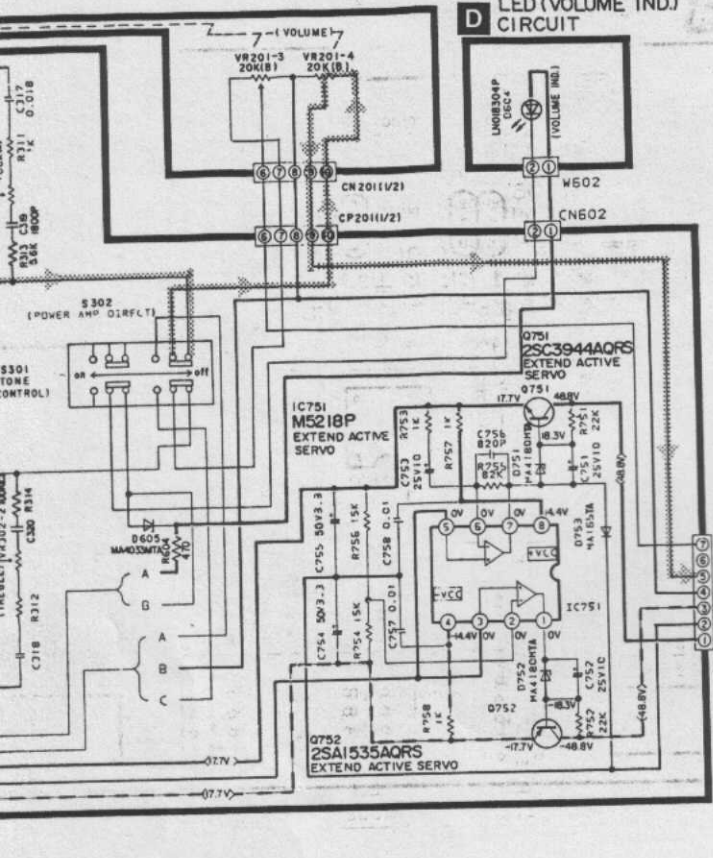
ME CIRCUIT



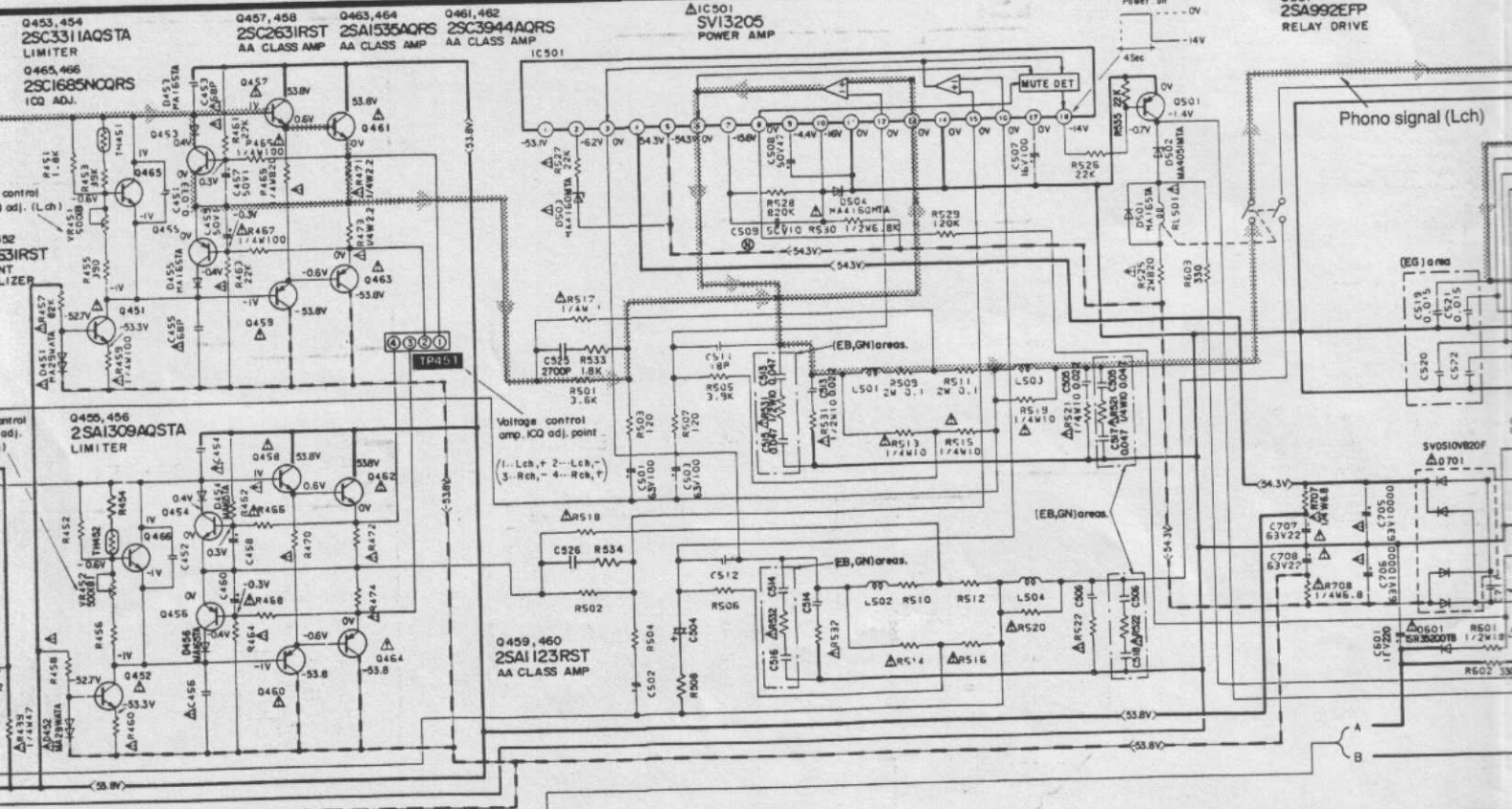
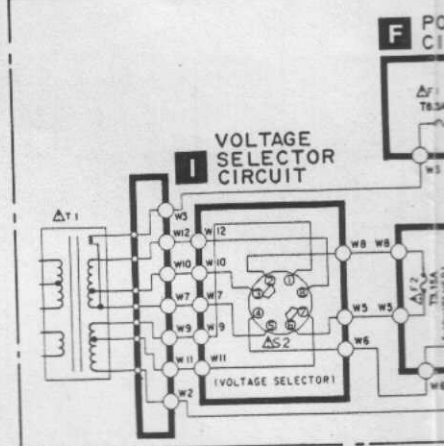
D LED (VOLUME IND.) CIRCUIT



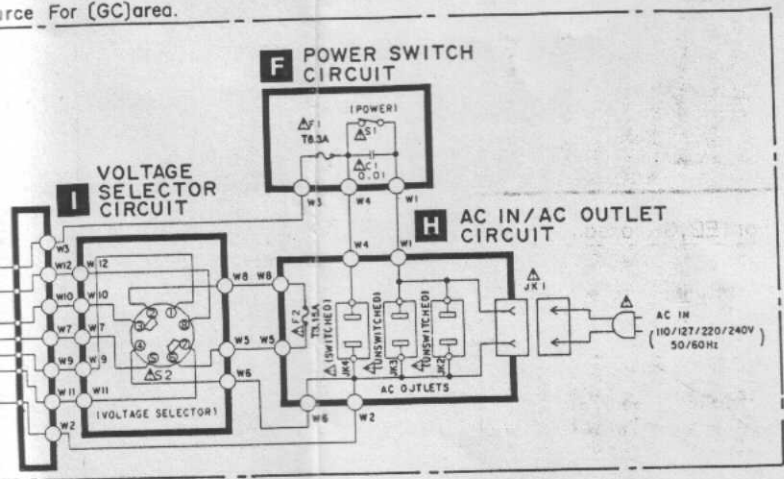
**D** LED (VOLUME IND.) CIRCUIT



Power Source For (GC) area.



Source For (GC)area.

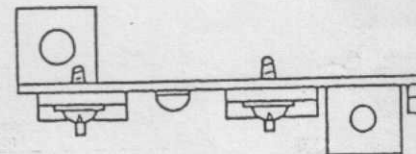


- Control positions and equipment
- Volume knob.....∞ (Minimum)
  - Main speaker selector.....C

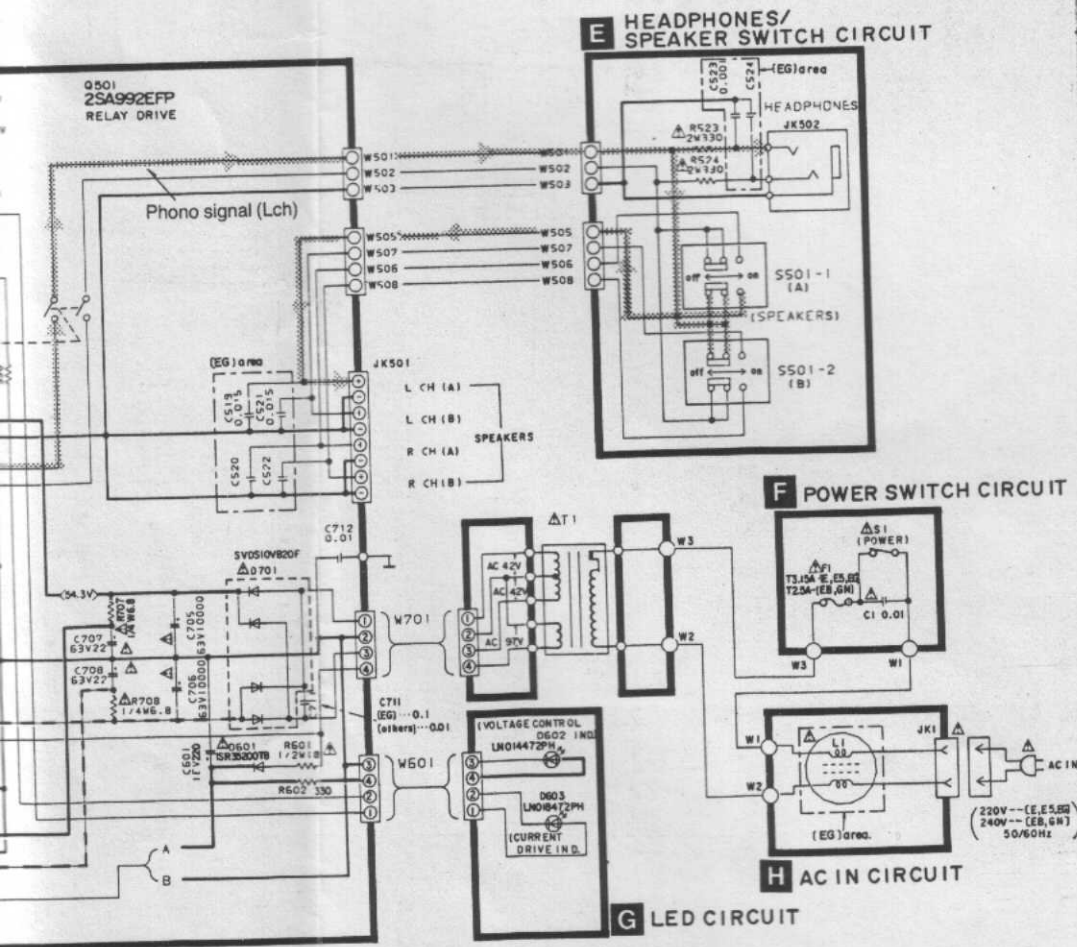
**VOLTAGE CONTROL (V) AMP. ADJUSTMENT**

1. Test equipment connection is shown in EVM on both channels.)
2. Completely turn the (V) amp. adjusting counter-clockwise.
3. Turn ON the set when it is cold, and VR452 so that the voltage is 25V. Also, check that the voltage is 25V after lapse of 10-15 minutes. (Be 60 min.)

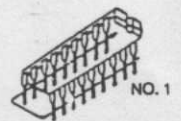
- Adjustment points Voltage control



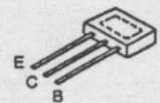
VR451



TERMINAL GUIDE



2SC3311, 2SA1309



MA165, MA16, MA4051  
MA29, 1SR35200TB

