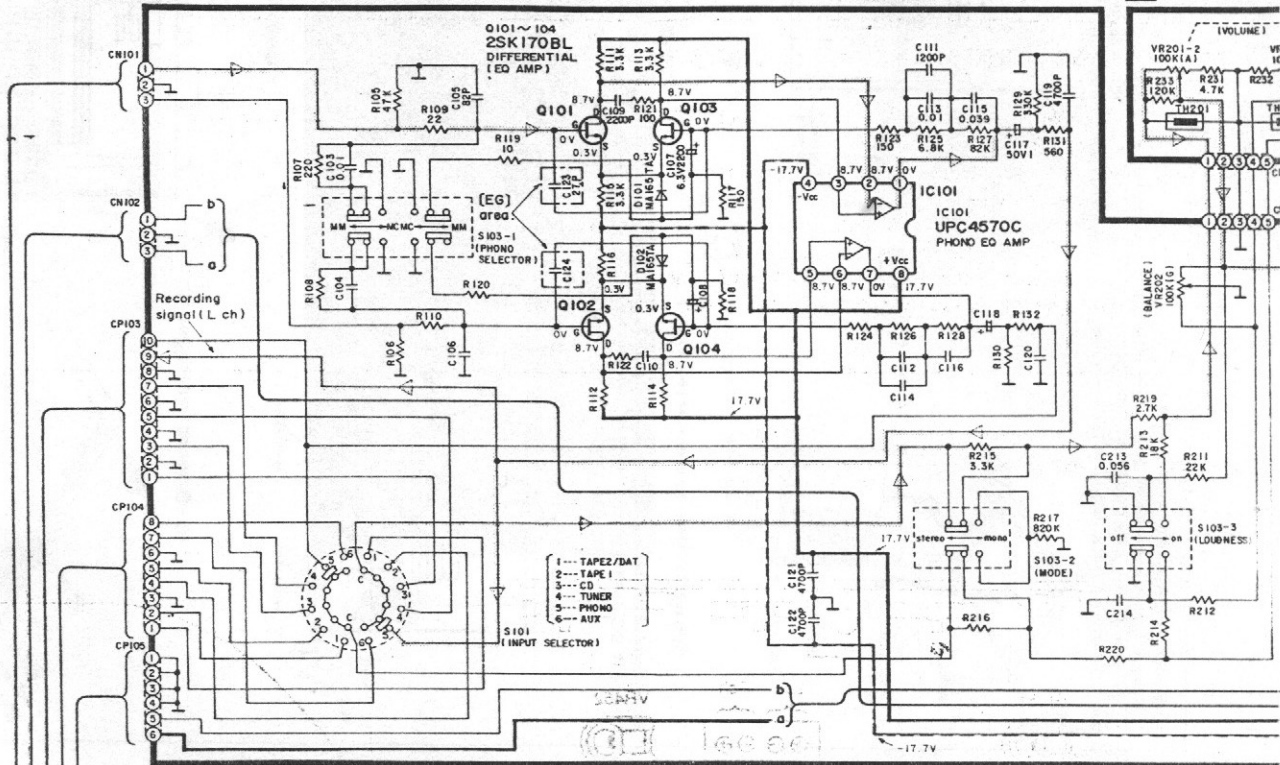
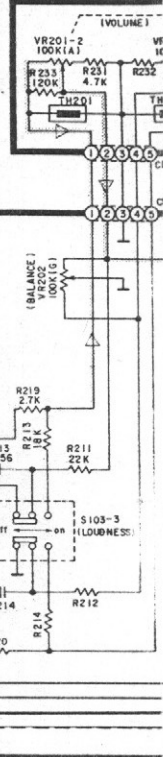


SCHEMATIC DIAGRAM

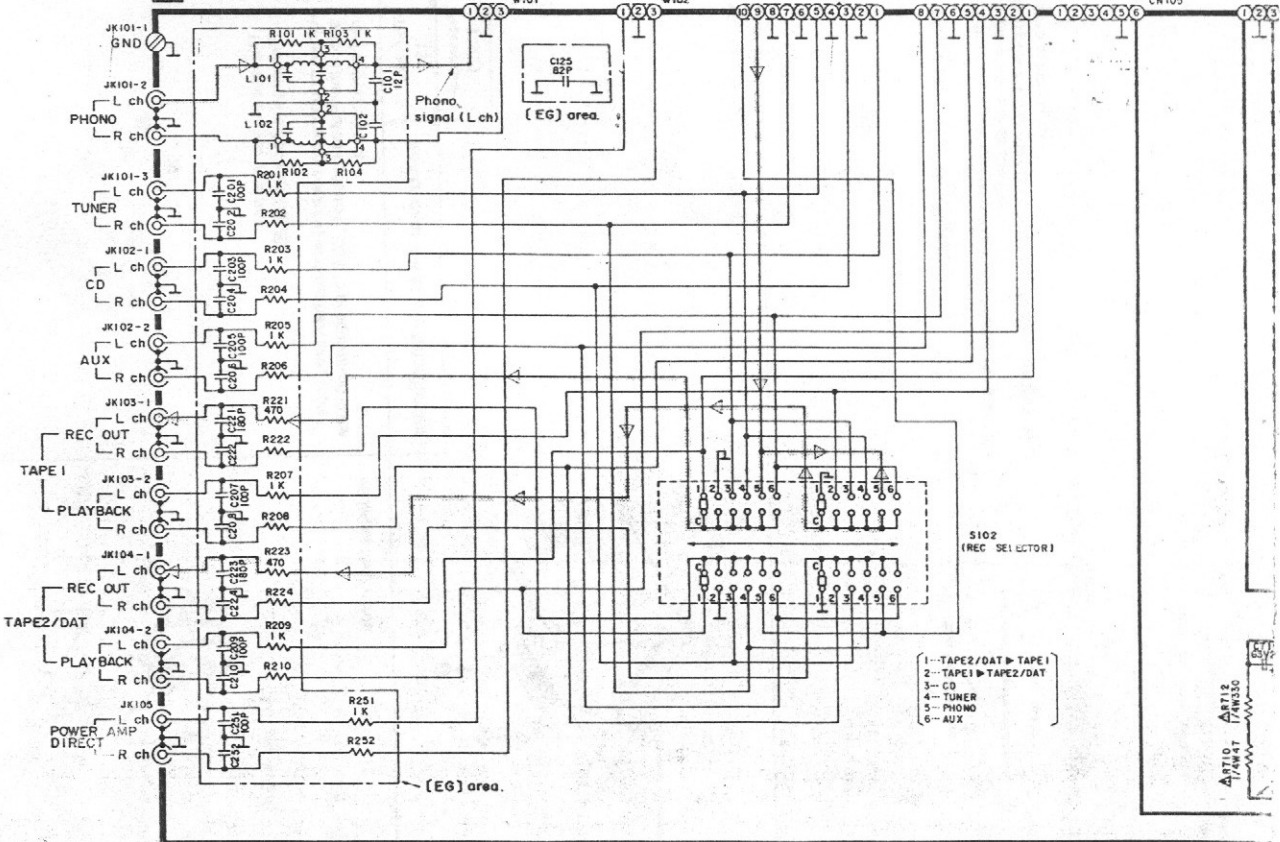
A PHONO EQ/TONE AMP CIRCUIT



C VOLUME C



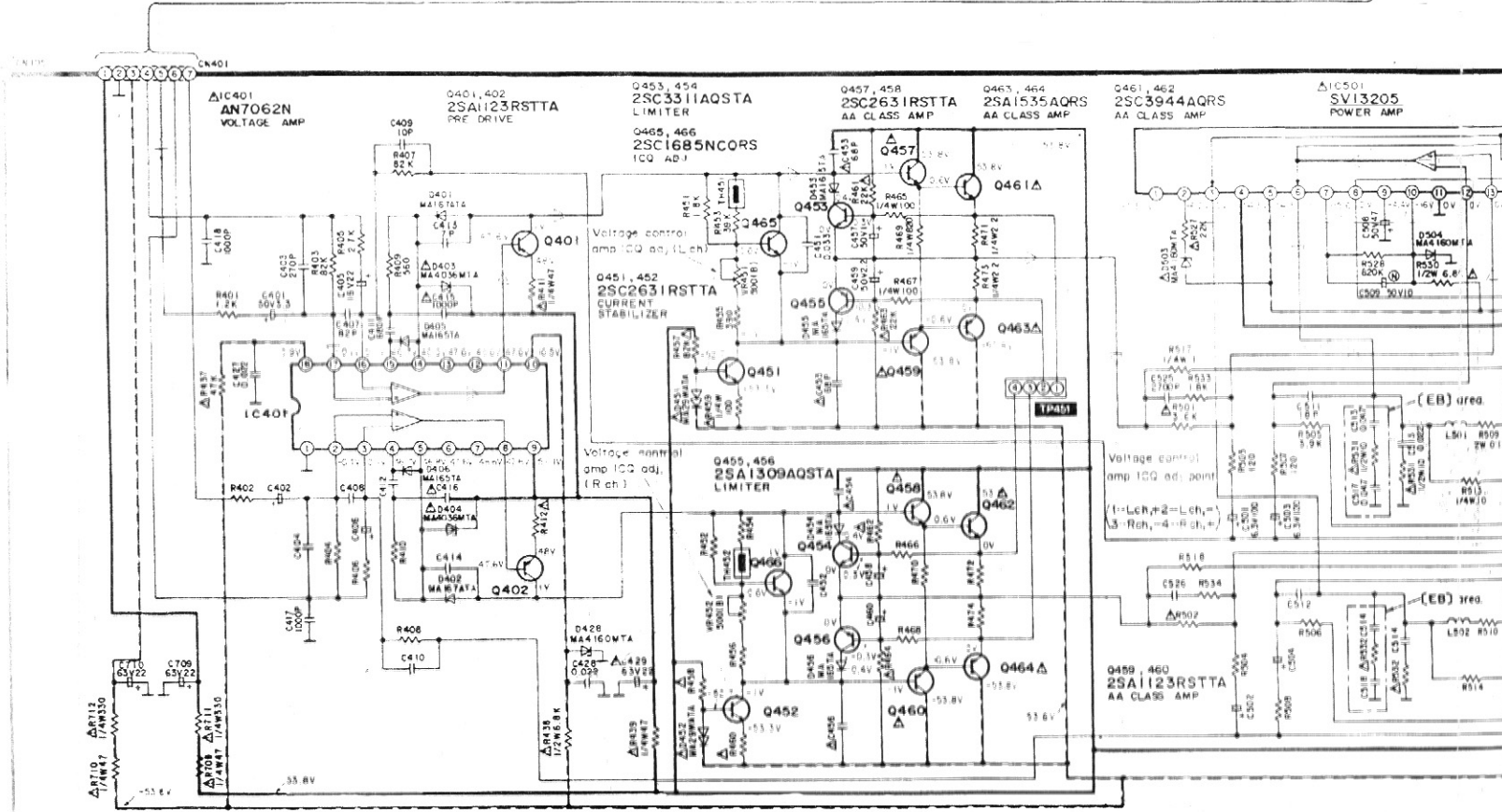
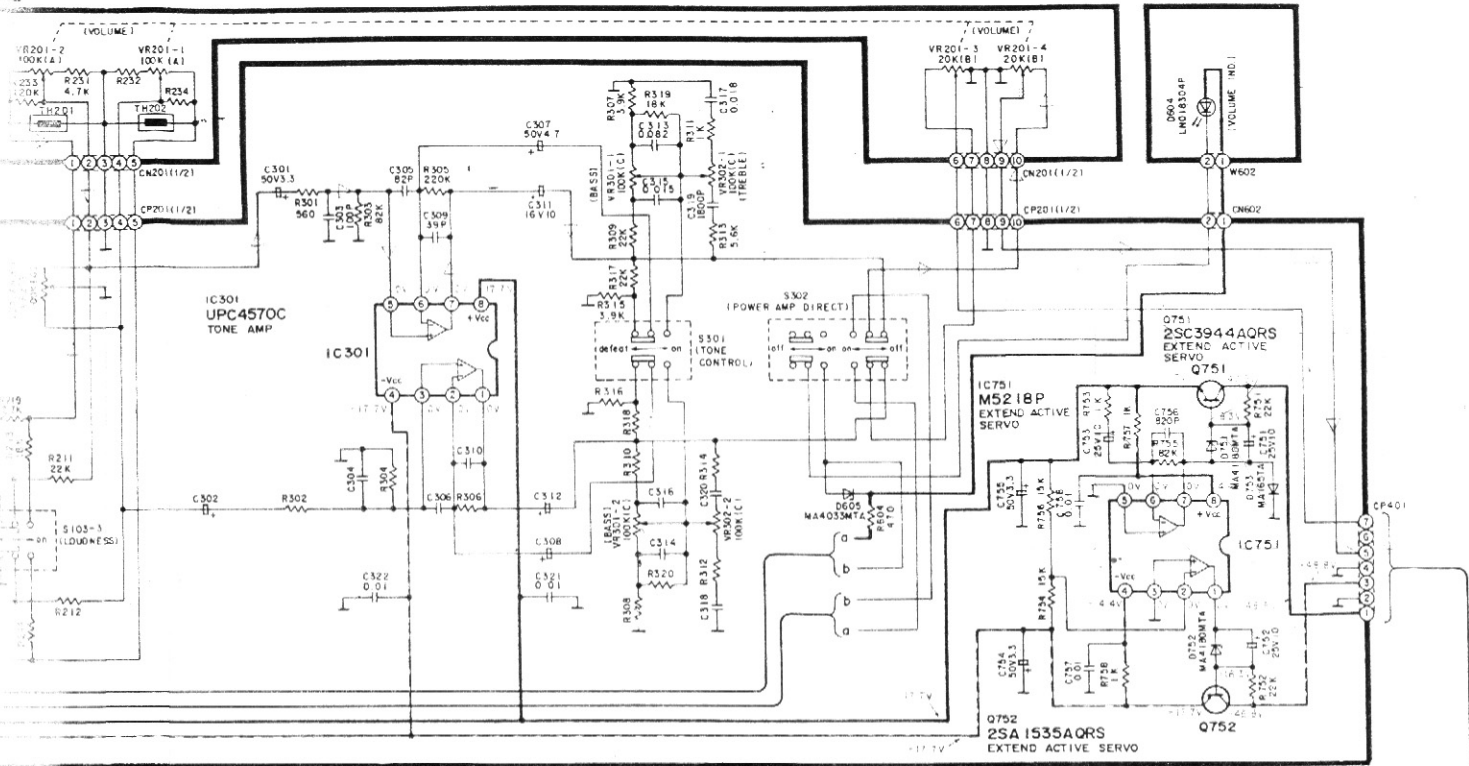
B MAIN CIRCUIT



ART12
ART13
ART14
ART15
ART16
ART17
ART18
ART19
ART20
ART21
ART22
ART23
ART24
ART25
ART26
ART27
ART28
ART29
ART30
ART31
ART32
ART33
ART34
ART35
ART36
ART37
ART38
ART39
ART40
ART41
ART42
ART43
ART44
ART45
ART46
ART47
ART48
ART49
ART50
ART51
ART52
ART53
ART54
ART55
ART56
ART57
ART58
ART59
ART60
ART61
ART62
ART63
ART64
ART65
ART66
ART67
ART68
ART69
ART70
ART71
ART72
ART73
ART74
ART75
ART76
ART77
ART78
ART79
ART80
ART81
ART82
ART83
ART84
ART85
ART86
ART87
ART88
ART89
ART90
ART91
ART92
ART93
ART94
ART95
ART96
ART97
ART98
ART99
ART100

VOLUME CIRCUIT

D LED (VOLUME IND.) CIRCUIT



(This schematic diagram may be modified at any time with the development of new technology.)

Notes:

- S1 : Power switch in "on" position.
- S101 : Input selector switch in "phono" position.
- S102 : Recording output selector switch in "tape 2/ DAT▶ 1" position.
- S103-1 : Phono cartridge selector switch in "MM" position.
- S103-2 : Mode selector switch in "stereo" position.
- S103-3 : Loudness switch in "off" position.
- S301 : Tone control switch in "defeat" position.
- S302 : Power amplifier direct switch in "off" position.
- S501-1 : Speaker (A) selector switch in "off" position.
- S501-2 : Speaker (B) selector switch in "off" position.
- : Positive voltage lines
- - - : Negative voltage lines
- ▨ : Phono Signal (Lch)
- ⊠ : Recording Signal

•Indicated voltage values are the standard values for the unit measured by the DC electronic circuit tester (high-impedance) with the chassis taken as standard. Therefore, there may exist errors in the voltage values, depending on the internal impedance of the DC circuit tester.

Important safety notice:

Components identified by the ⚠ mark have special characteristics important for safety. When replacing any of these components, use only manufacturer's specified parts.

***Caution!**

- IC and LSI are sensitive to static electricity.
- Secondary trouble can be prevented by taking care during repair.
- *Cover the parts boxes made of plastics with aluminum foil.
- *Ground the soldering iron.
- *Put a conductive mat on the work table.
- *Do not touch the legs of IC or LSI with the fingers directly.

