

013

Service Manual

Stereo Integrated Amplifier

95605

SU-VX720

Amplifier



Colour

(K) Black Type

Areas

Suffix for Model No.	Area	Colour
(EG)	Europe	(K)
(EB)	Great Britain	
(EO)	Switzerland	
(GC)	Asia, Latin America, Middle Near East and Africa	
(GN)	Oceania	

SPECIFICATIONS (DIN 45 500)

- 20 Hz~20 kHz continuous power output
both channels driven 2 × 55 W (8 Ω)
- 1 kHz continuous power output
both channels driven (THD: 1%) : 2 × 70 W (8 Ω)
2 × 100 W (4 Ω)
- 63 Hz~12.5 kHz continuous power output
both channels driven (THD: 0.7%) : 2 × 65 W (8 Ω)
2 × 85 W (4 Ω)
- Total harmonic distortion
rated power at 20 Hz~20 kHz 0.007% (8 Ω)
- Intermodulation distortion (50 Hz: 7 kHz = 4:1, SMPTE)
rated power 0.007% (8 Ω)
- Residual hum and noise 1 mV
- Damping factor 60 (8 Ω), 30 (4 Ω)
- Headphones output level/impedance 540 mV/330 Ω
- Load impedance
A or B, BI-WIRING 4 Ω~16 Ω
A and B 8 Ω~16 Ω
- Input sensitivity/impedance
PHONO MM 2.5 mV/47 kΩ
PHONO MC 170 μV/220 Ω
TUNER, CD, AUX, TAPE 1, TAPE 2/DAT 150 mV/22 kΩ
- Phono maximum input voltage (1 kHz, RMS)
MM 160 mV (IHF '66)
MC 12 mV (IHF '66)
- S/N (rated power, 4 Ω)
PHONO MM 78 dB (85 dB, IHF '66)
PHONO MC 64 dB (S=250 μV, 66 dB, IHF '66)
TUNER, CD, AUX, TAPE 1, TAPE 2/DAT 91 dB (99 dB, IHF '66)
- S/N at -26 dB power (4 Ω)
PHONO MM 68 dB
PHONO MC 63 dB
TUNER, CD, AUX, TAPE 1, TAPE 2/DAT 70 dB

S/N at 50 mW power (4 Ω)

- PHONO MM 64 dB
- PHONO MC 60 dB
- TUNER, CD, AUX, TAPE 1, TAPE 2/DAT 64 dB

Frequency response

- PHONO MM RIAA standard curve ±0.8 dB
(30 Hz~15 kHz)
- TUNER, CD, AUX, TAPE 1, TAPE 2/DAT
3 Hz~80 kHz (+0, -3 dB)
+0 dB, -0.3 dB (20 Hz~20 kHz)

Tone controls

- BASS 50 Hz, +10~-10 dB
- TREBLE 20 kHz, +10~-10 dB
- Subsonic filter 30 Hz, -6 dB/oct
- Loudness control (volume at -30 dB) 50 Hz, +9 dB

Output voltage

- TAPE 1, TAPE 2/DAT REC OUT 150 mV
- Channel balance (AUX 250 Hz~6.3 kHz) ±1 dB
- Channel separation (AUX 1 kHz) 50 dB

GENERAL

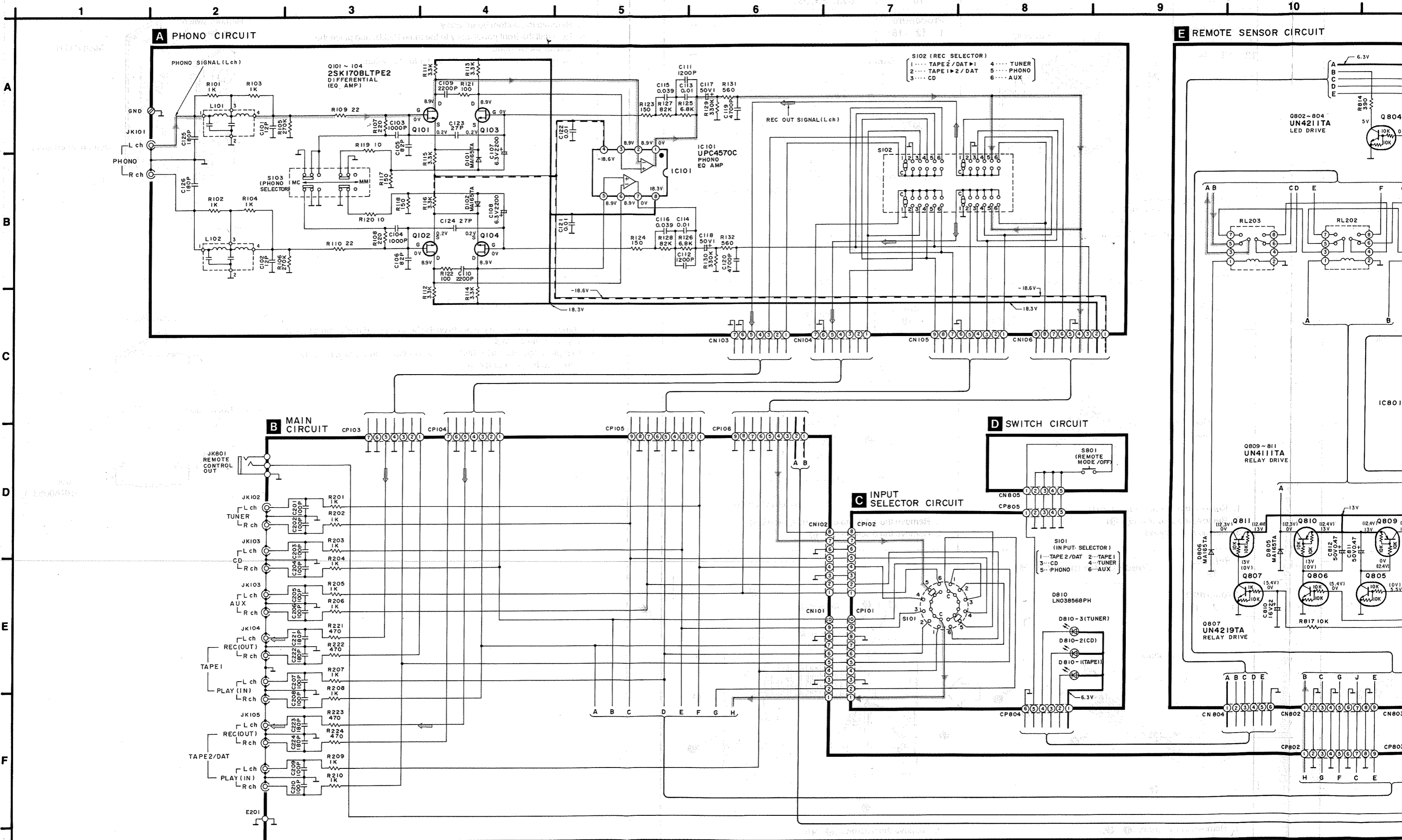
- Power consumption 250 W
- Power supply
For (EG), (EB), (EO), (GN) areas AC 50 Hz/60 Hz, 230 V/240 V
For (GC) area AC 50 Hz/60 Hz, 110 V~127 V/220 V~240 V
- Dimensions (W × H × D) 430 × 125 × 316 mm
- Weight 8.7 kg

Notes:

1. Specifications are subject to change without notice. Weight and dimensions are approximate.
2. Total harmonic distortion is measured by the digital spectrum analyzer.

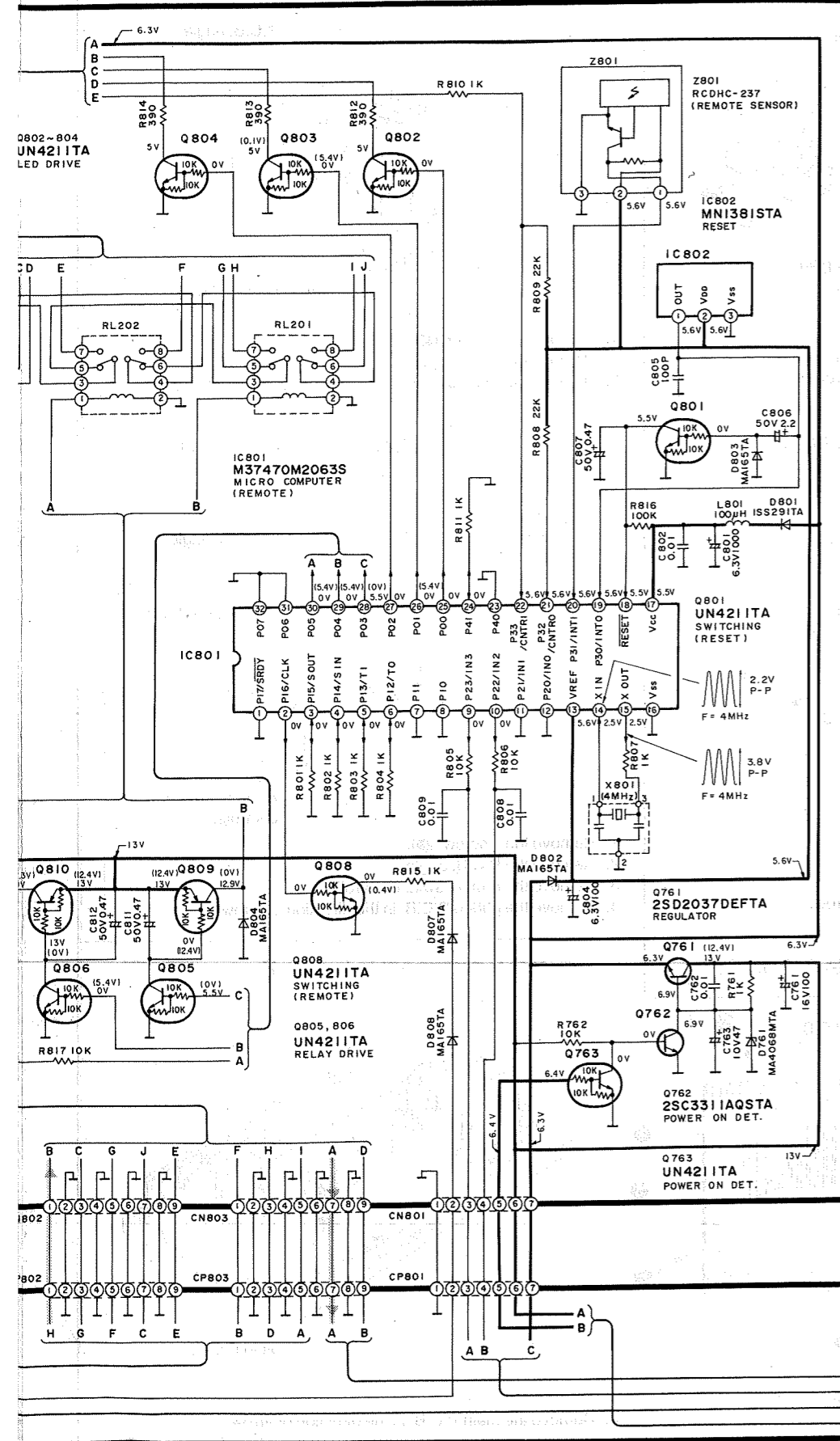
Technics

SCHEMATIC DIAGRAM (Parts list on pages 29~32.)

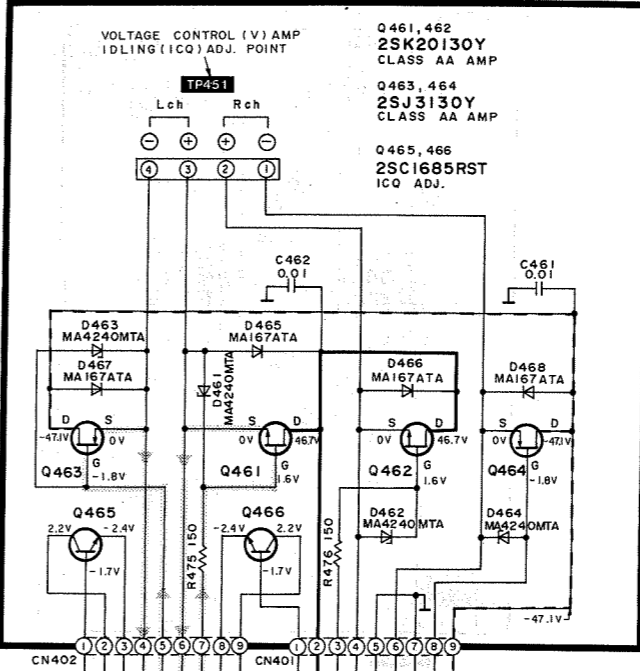


0 11 12 13 14 15 16 17 18 19

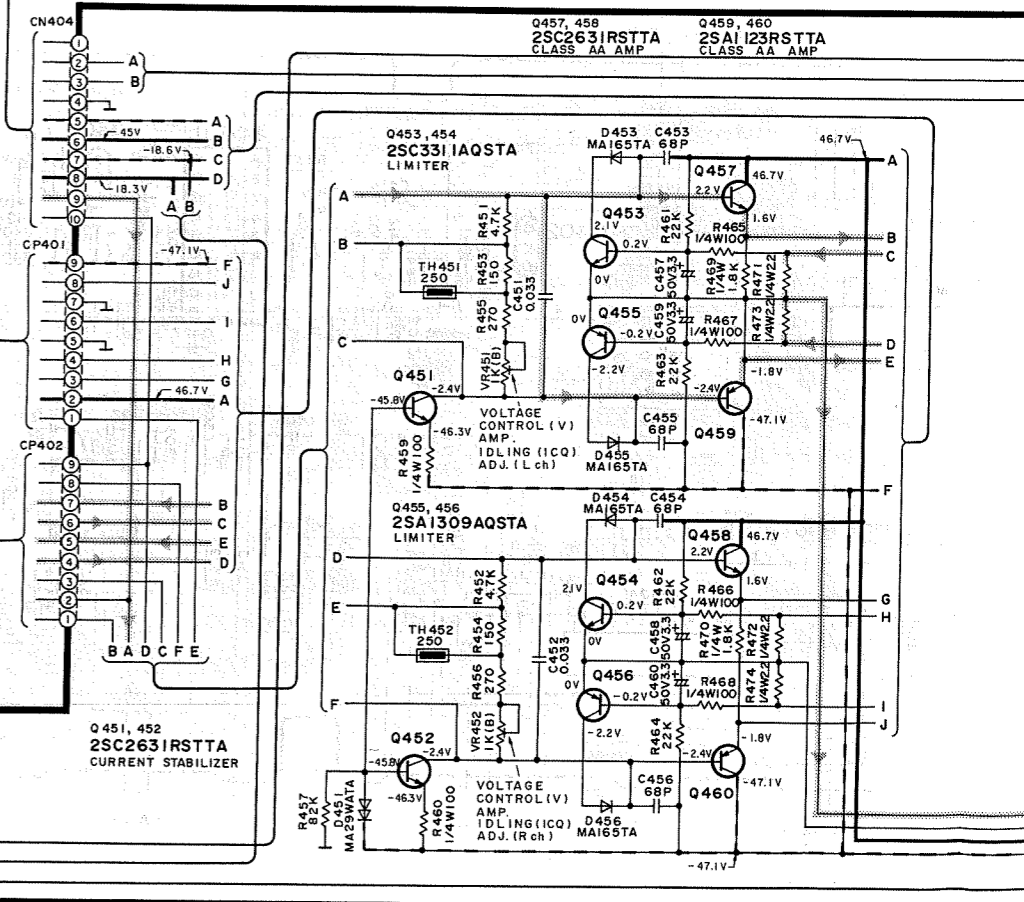
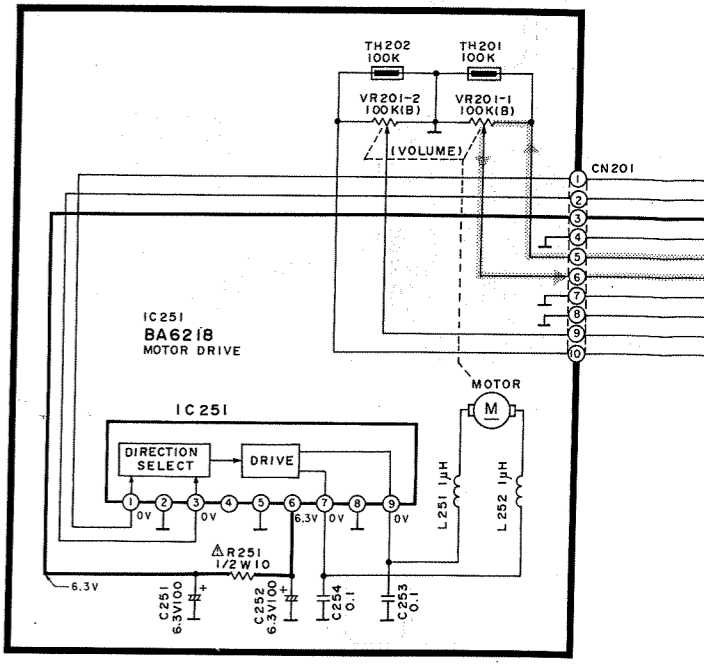
RCUIT



F V-AMP CIRCUIT

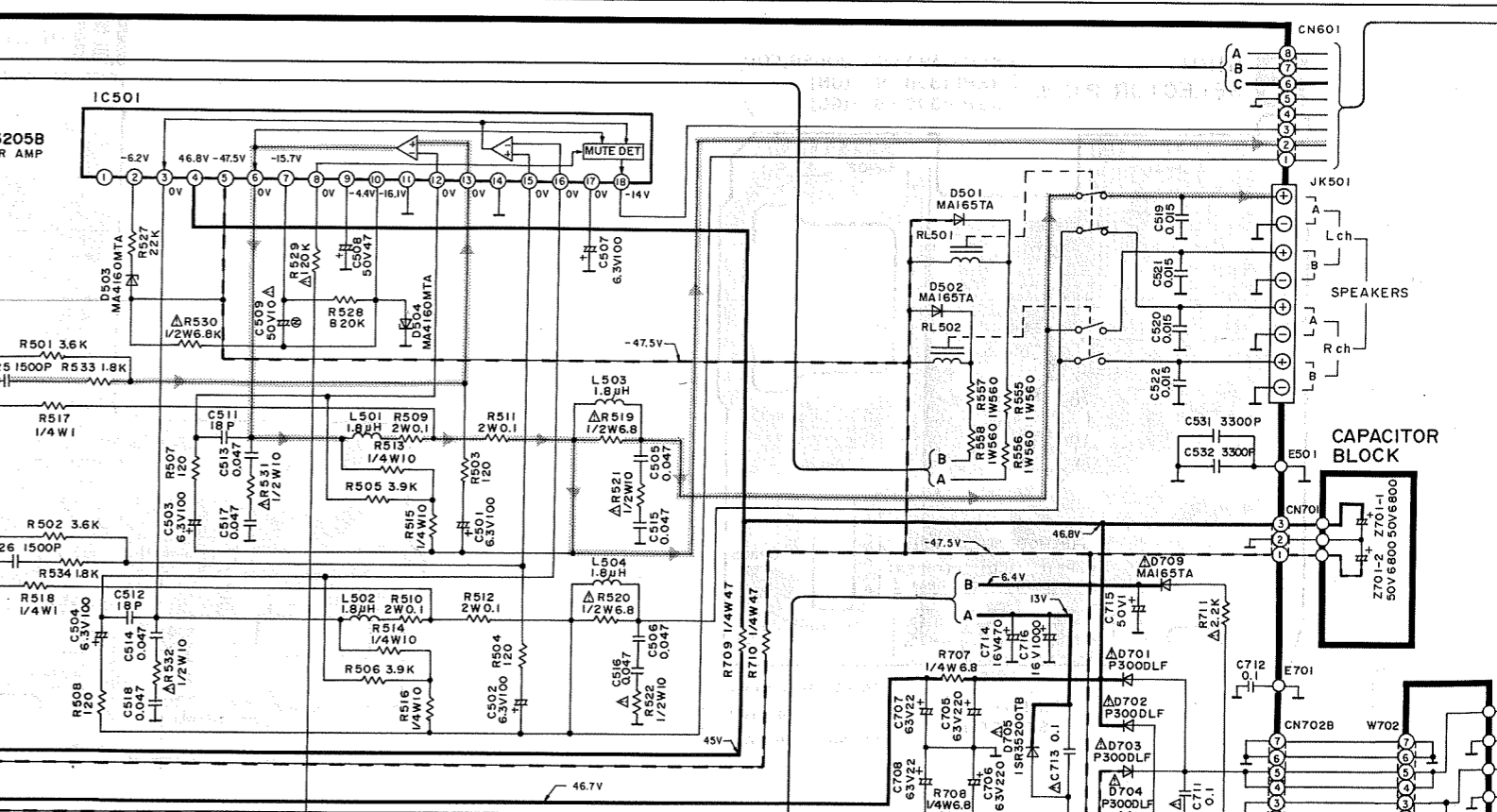
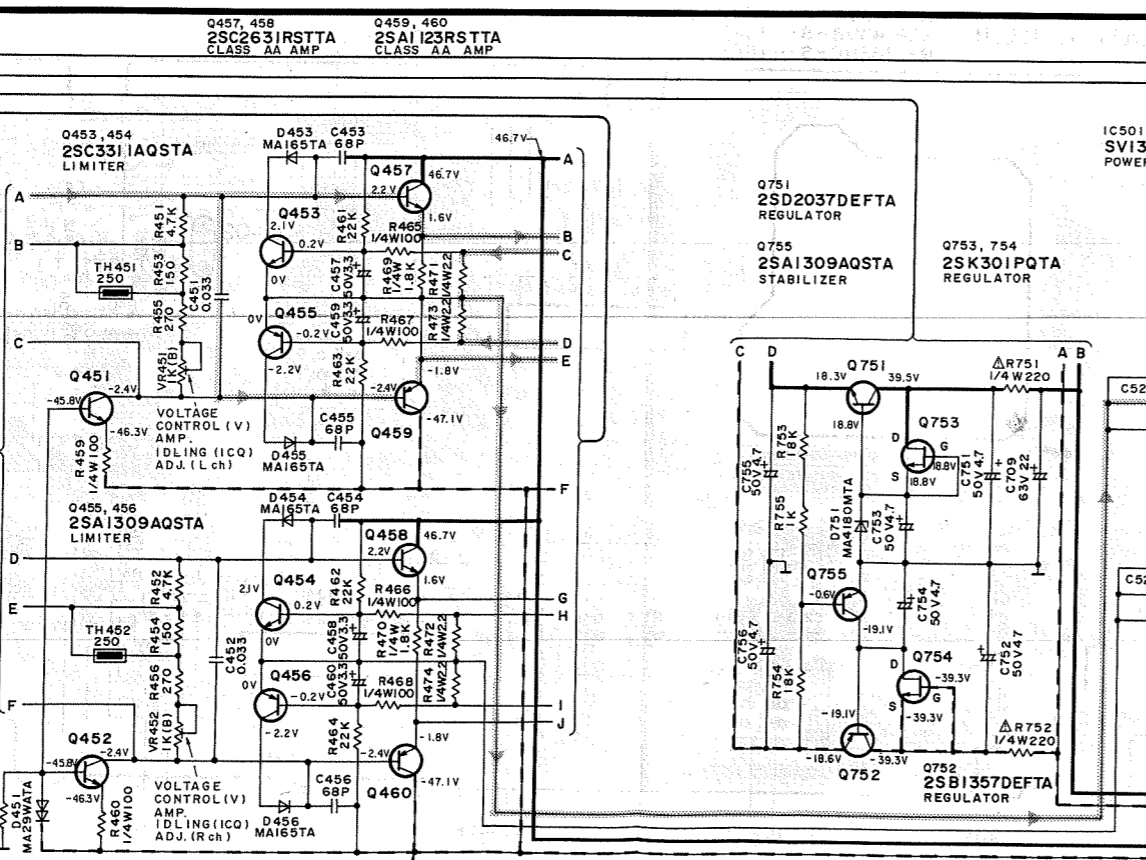
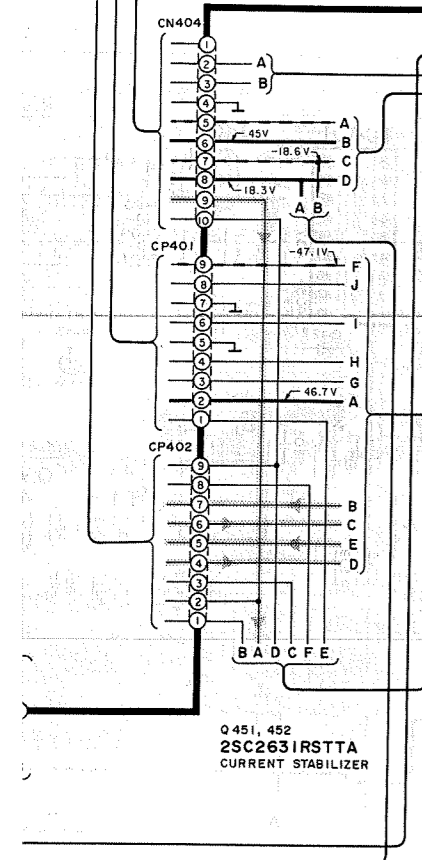
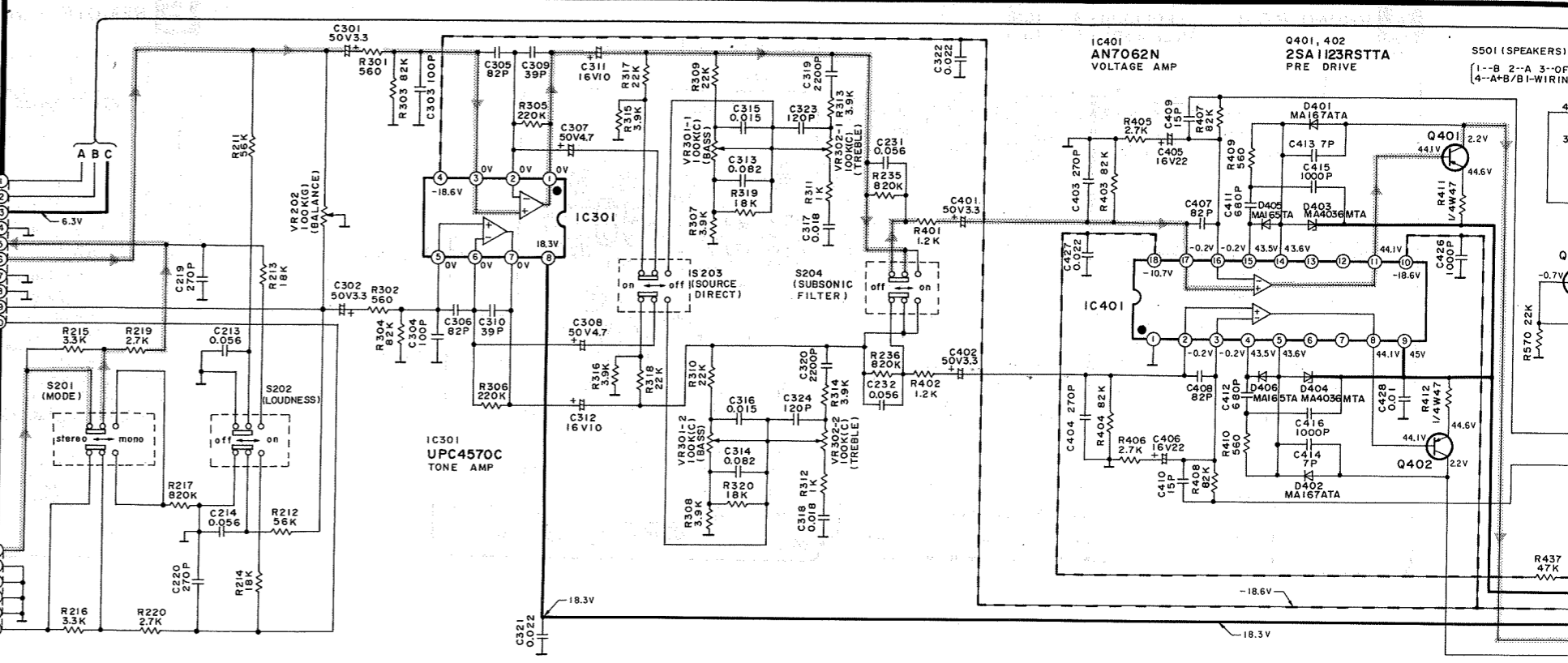
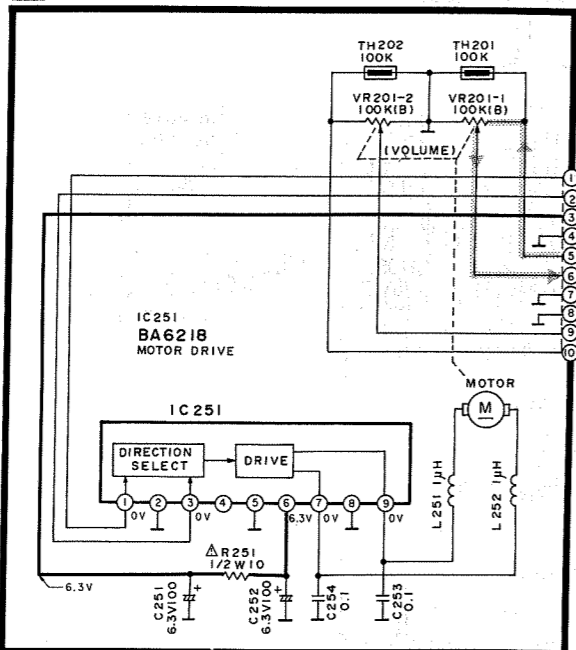
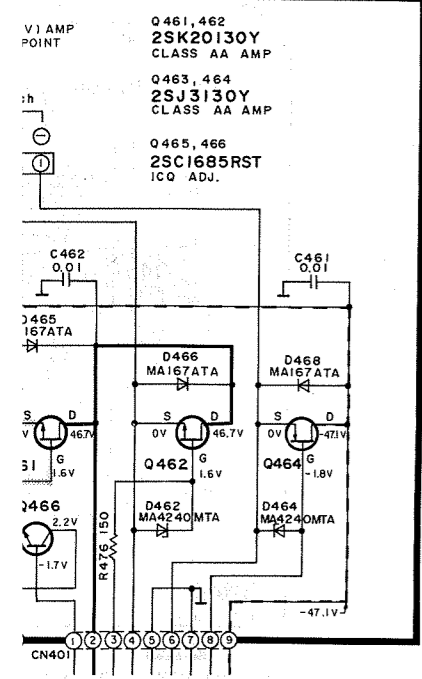


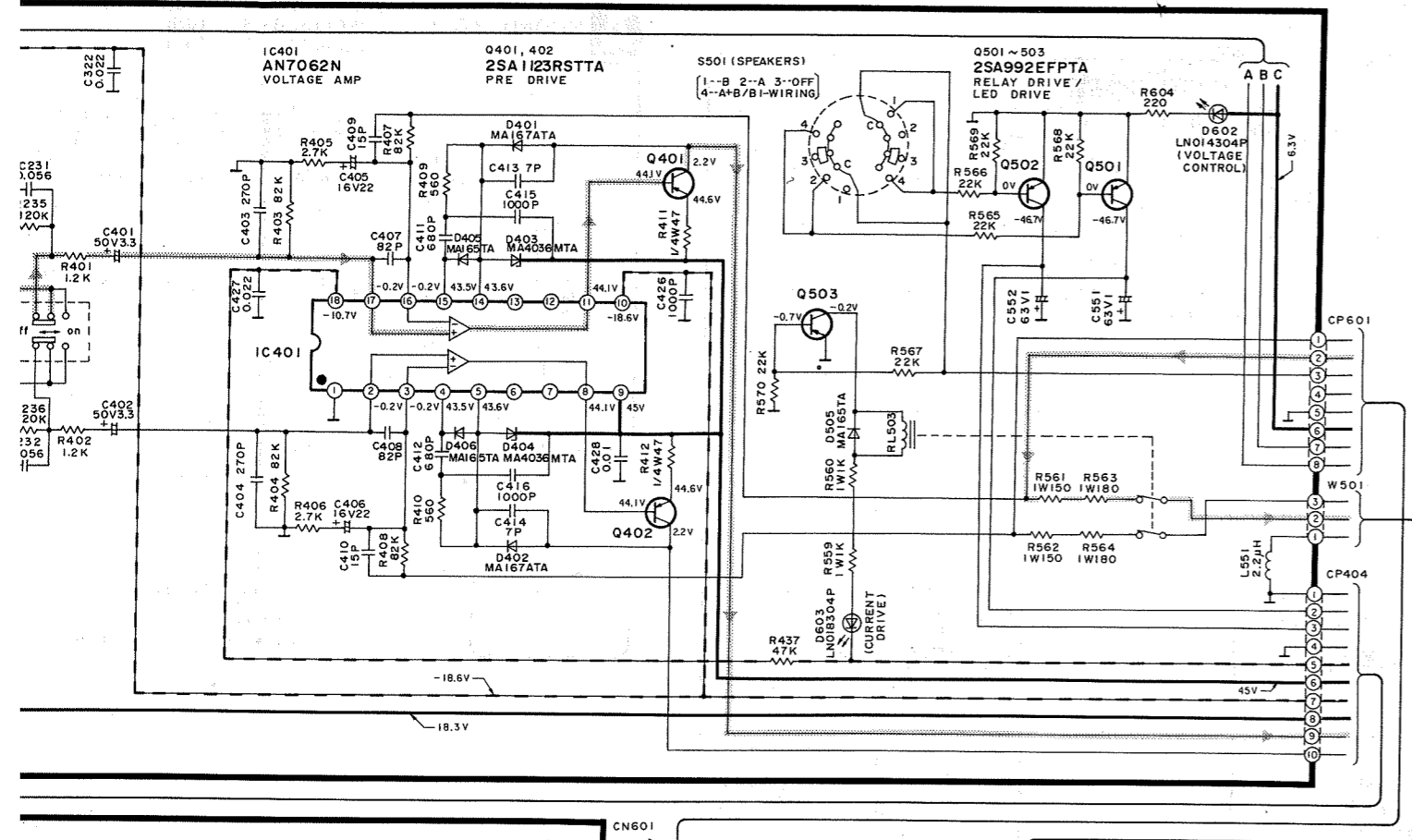
G VOLUME CIRCUIT



H OPERATION CIRCUIT

G VOLUME CIRCUIT





Notes:

- S1 : Power switch in "ON" position. (POWER)
(■...OFF, ■...ON)
- S2 : Voltage select switch in "240 V" position. (VOLT ADJ) for (EG) (EB) (EO) (GN) areas
Voltage select switch in "110 V-127 V" position. (VOLT ADJ) for (GC) area
- S101 : Input select switch in "PHONO" position. (INPUT SELECT)
- S102 : Rec select switch in "TAPE 2/DAT ▶ 1" position. (REC SELECTOR)
- S103 : Phono cartridge select switch in "MC" position. (PHONO SELECTOR)
- S201 : Mode select switch in "STEREO" position. (MODE)
- S202 : Loudness switch in "OFF" position. (LOUDNESS)
- S203 : Source direct switch in "ON" position. (SOURCE DIRECT)
- S204 : Subsonic filter switch "OFF" position. (SUBSONIC FILTER)
- S501 : Speaker select switch in "OFF" position. (SPEAKERS)
- S801 : Remote control input erase switch. (OFF)

• Indicated voltage values are the standard values for the unit measured by the DC electronic circuit tester (high-impedance) with the chassis taken as standard. Therefore, there may exist some errors in the voltage values, depending on the internal impedance of the DC circuit tester. No mark: Power ON () Indicated voltage: When D810-2 is lighting up

Important safety notice:

Components identified by Δ mark have special characteristics important for safety. Furthermore, special parts which have purposes of fire-retardant (resistors), high-quality sound (capacitors), low-noise (resistors), etc. are used. When replacing any of components, be sure to use only manufacturer's specified parts shown in the parts list.

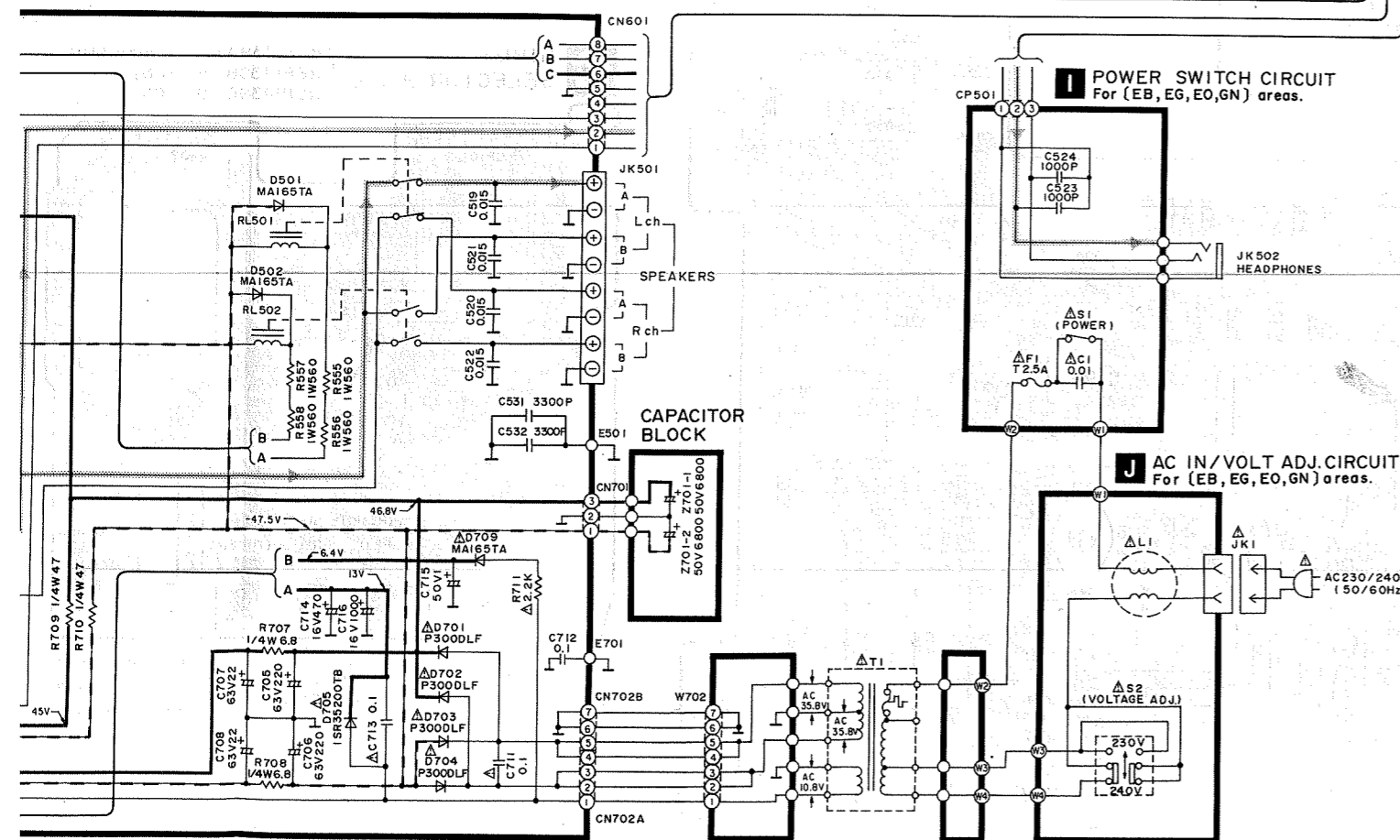
• This schematic diagram may be modified at any time with the development of new technology.

Caution!

IC and LSI are sensitive to static electricity. Secondary trouble can be prevented by taking care during repair. Cover the parts boxes made of plastics with aluminum foil. Ground the soldering iron. Put a conductive mat on the work table. Do not touch the legs of IC or LSI with the fingers directly.

Voltage and signal line

- : Positive voltage line.
- - - : Negative voltage line.
- ▬▬▬ : Phono signal line.
- ▬▬▬ : Recording output signal line.



Power Source For (GC) area.

