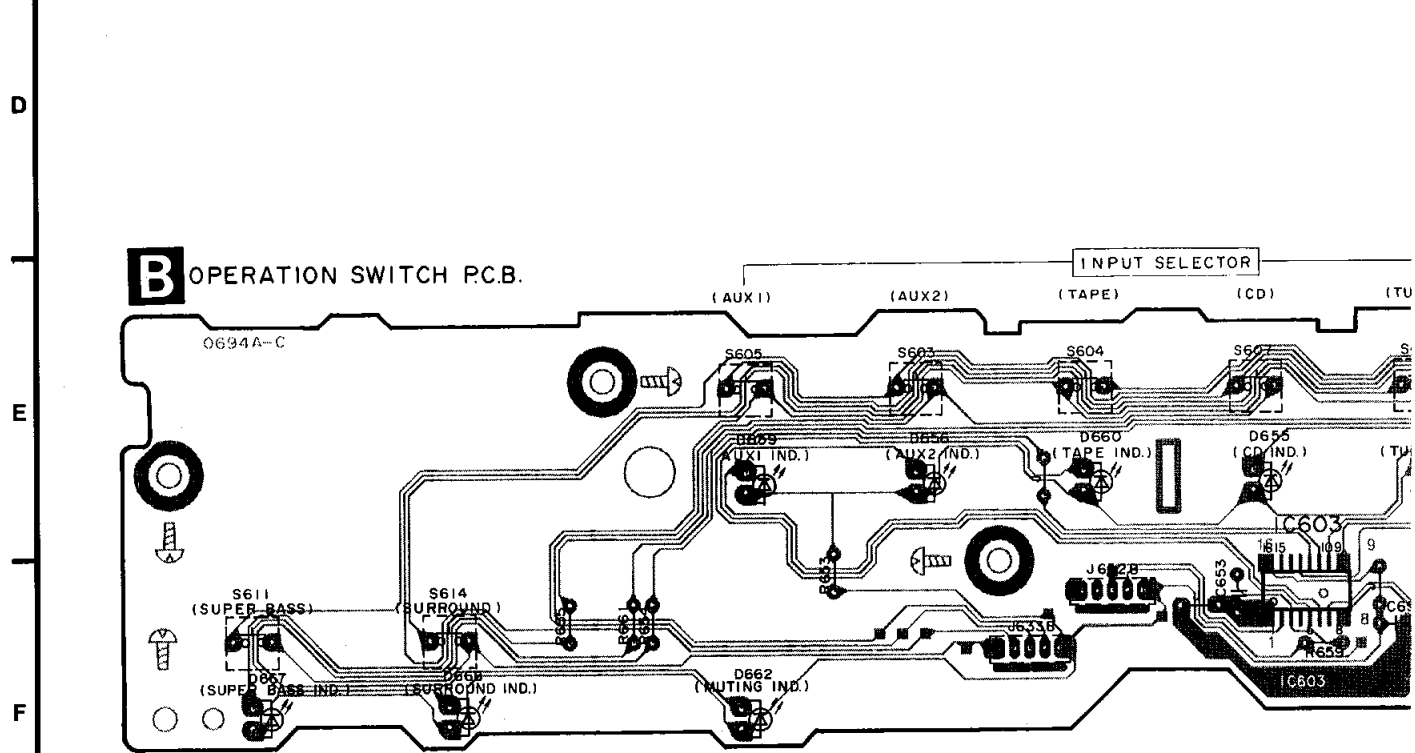
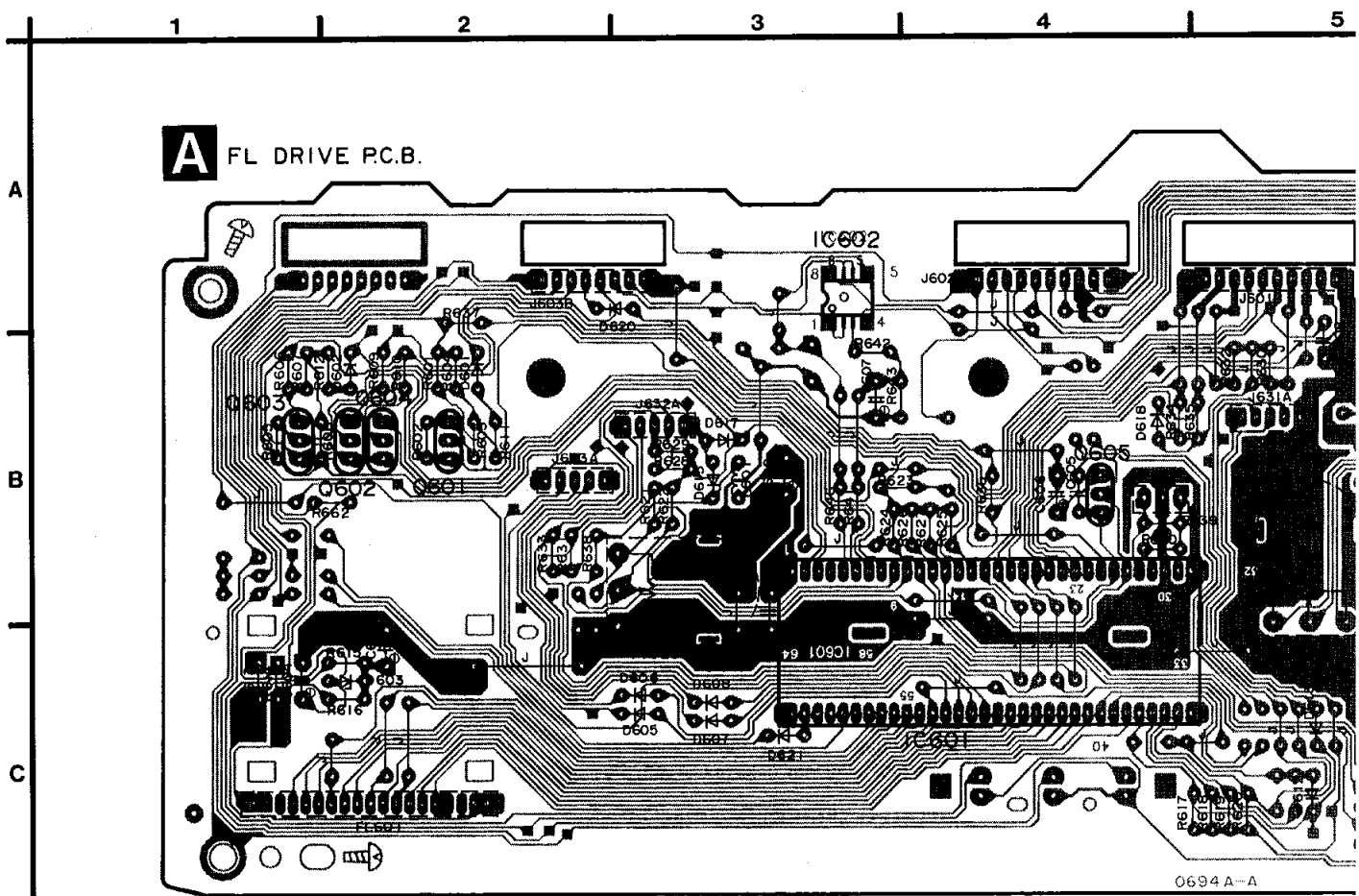
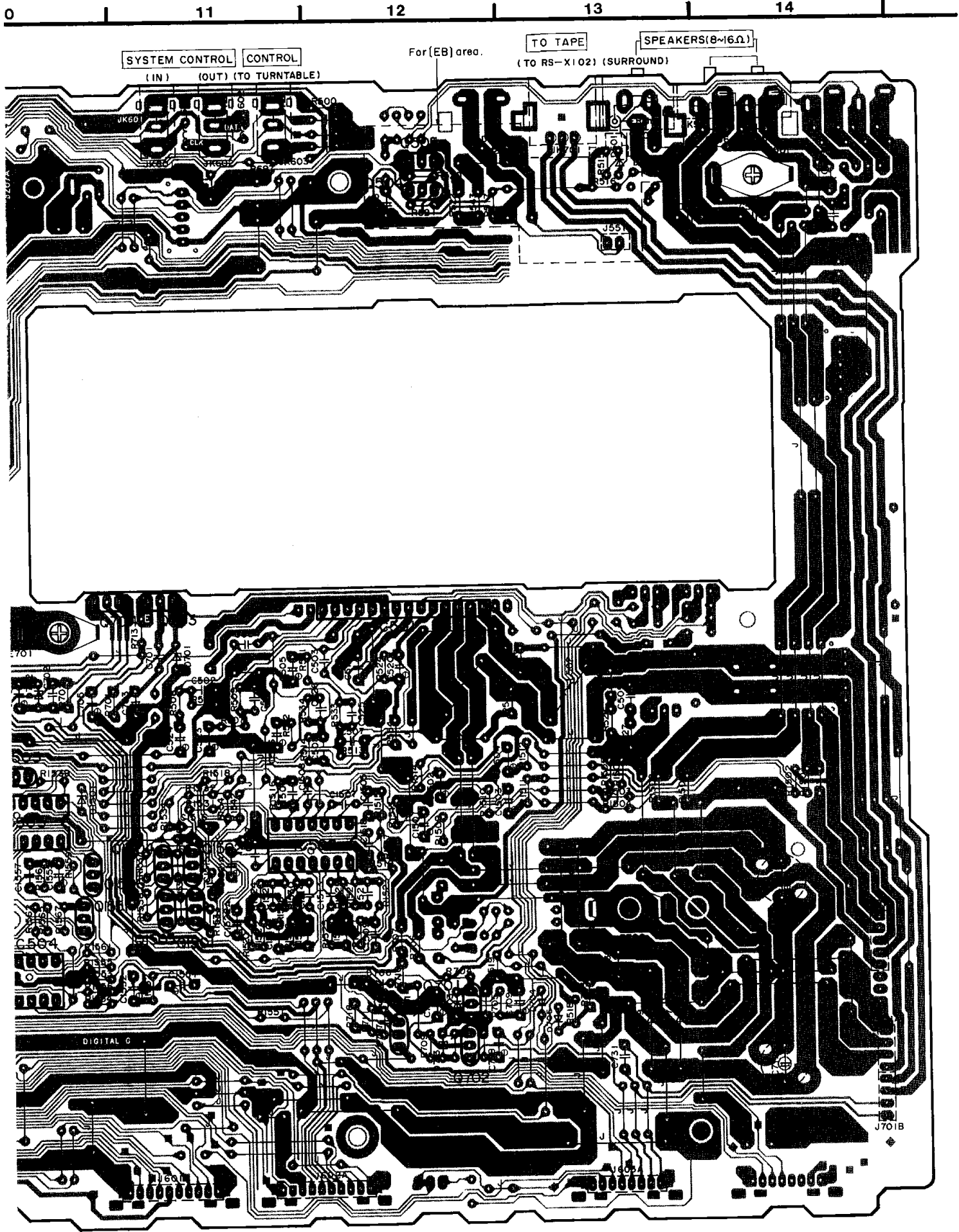


**■ CIRCUIT BOARD DIAGRAM**



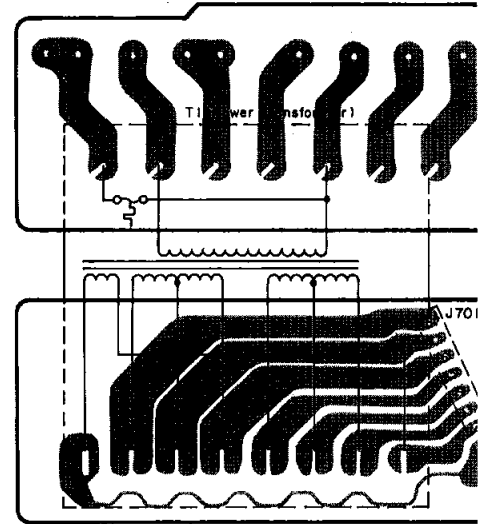
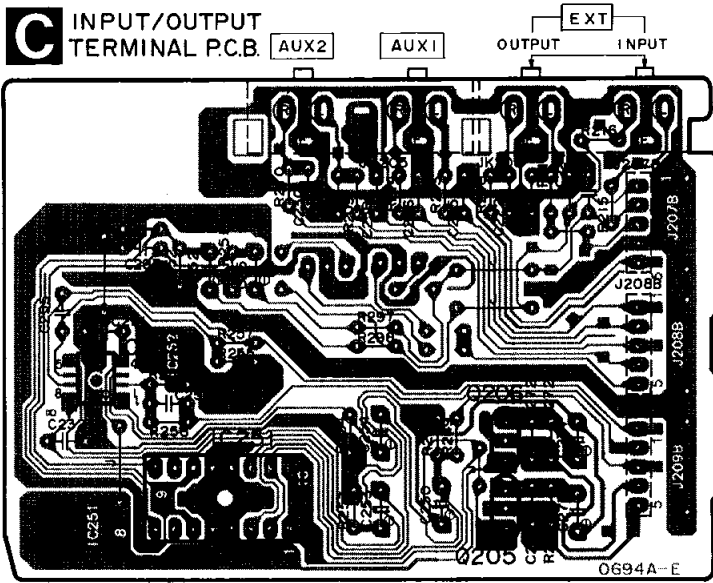




# CIRCUIT BOARD DIAGRAM

1                      2                      3                      4                      5

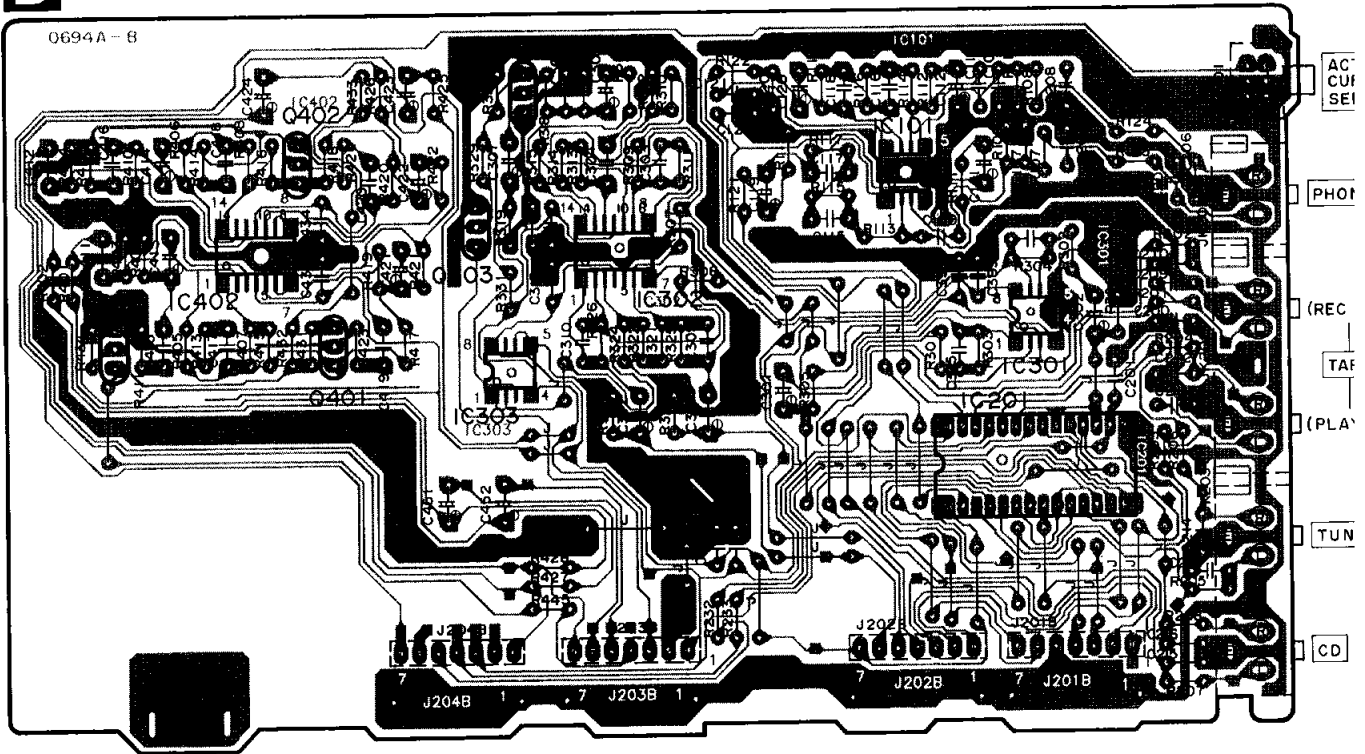
A



B

C

**D** PHONO/TAPE/TUNER/CD TERMINAL P.C.B.

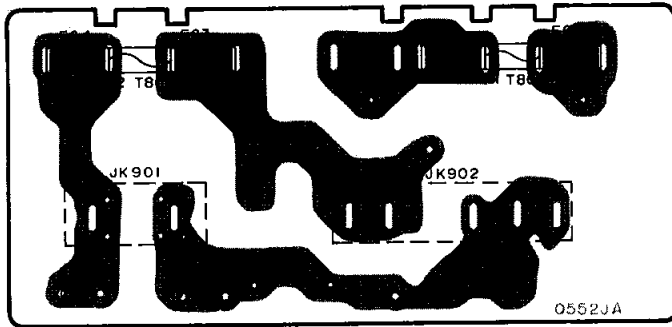


D

E

F

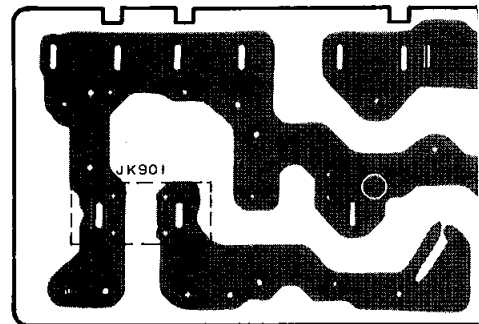
**G** AC IN/AC OUTLET P.C.B. For[E,EB,EG]AREAS.



**AC IN**  
(230V.....[E, EG]  
230~240V...[EB]  
50/60Hz)

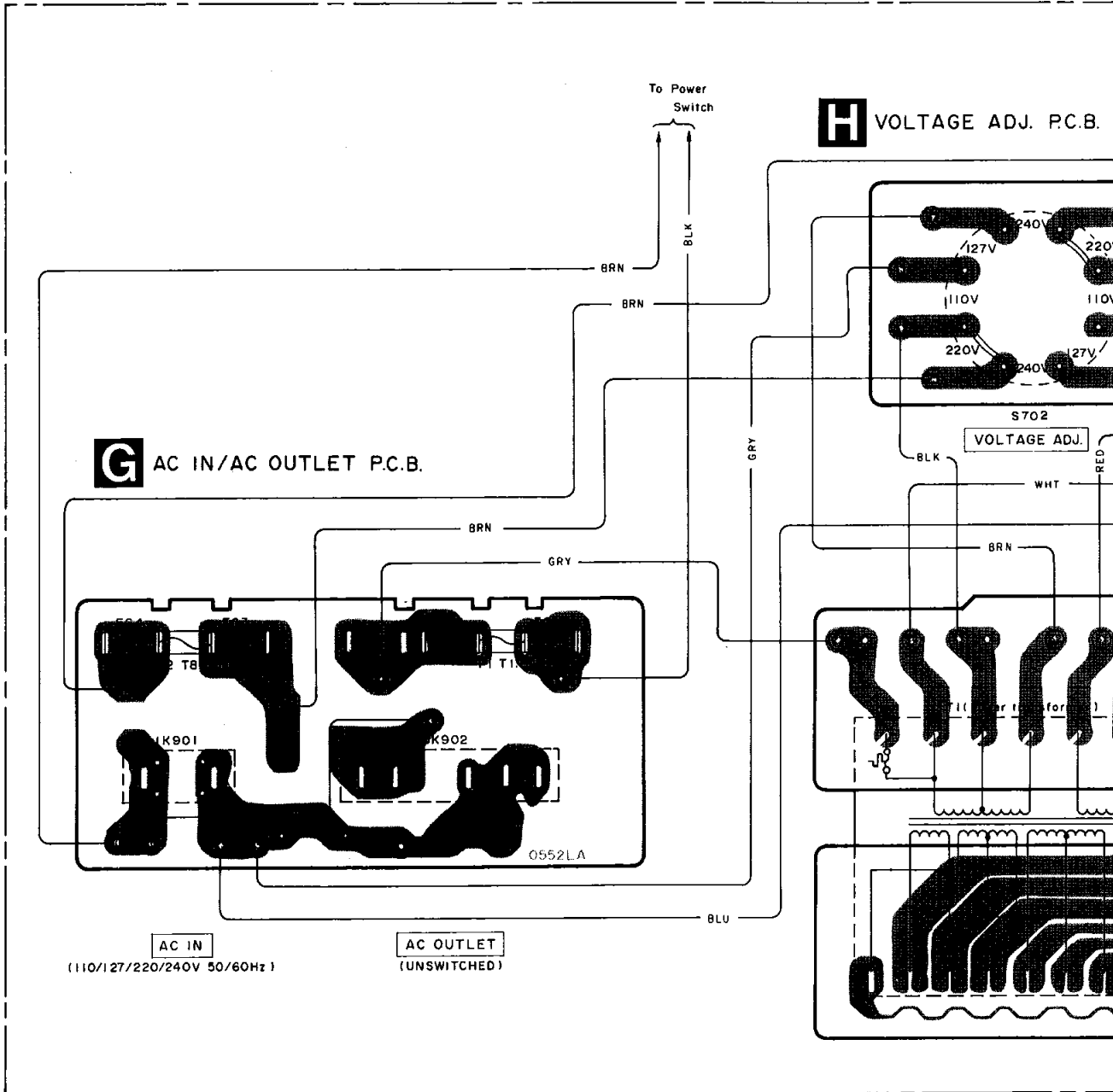
**AC OUTLET**  
(UNSWITCHED)

**G** AC IN/AC OUTLET P.C.B. For[G]AREAS.

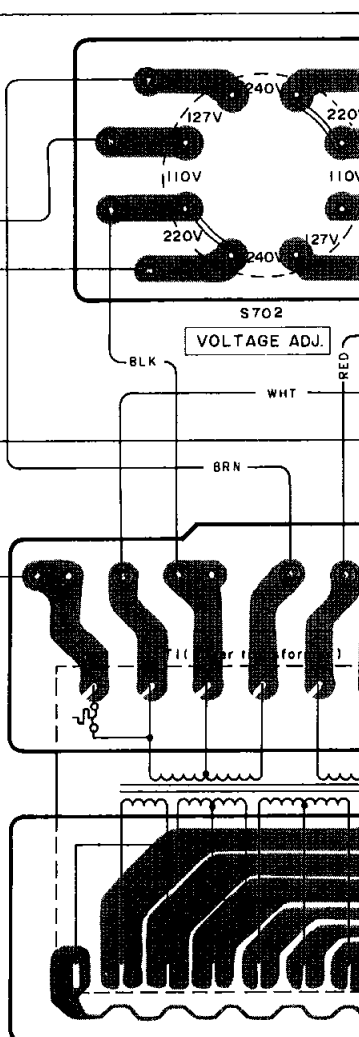


**AC IN**  
(230~240V 50/60Hz)

Power Source P.C.B. For[GC]area.



**H** VOLTAGE ADJ. P.C.B.



11

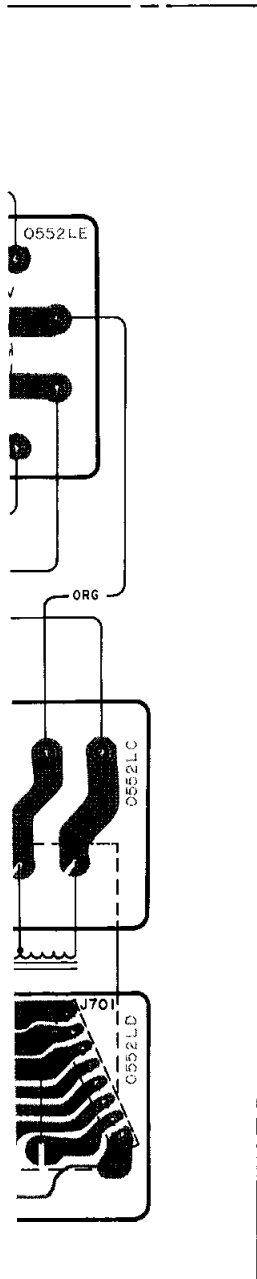
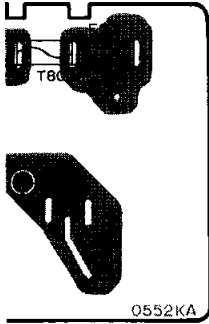
12

13

14

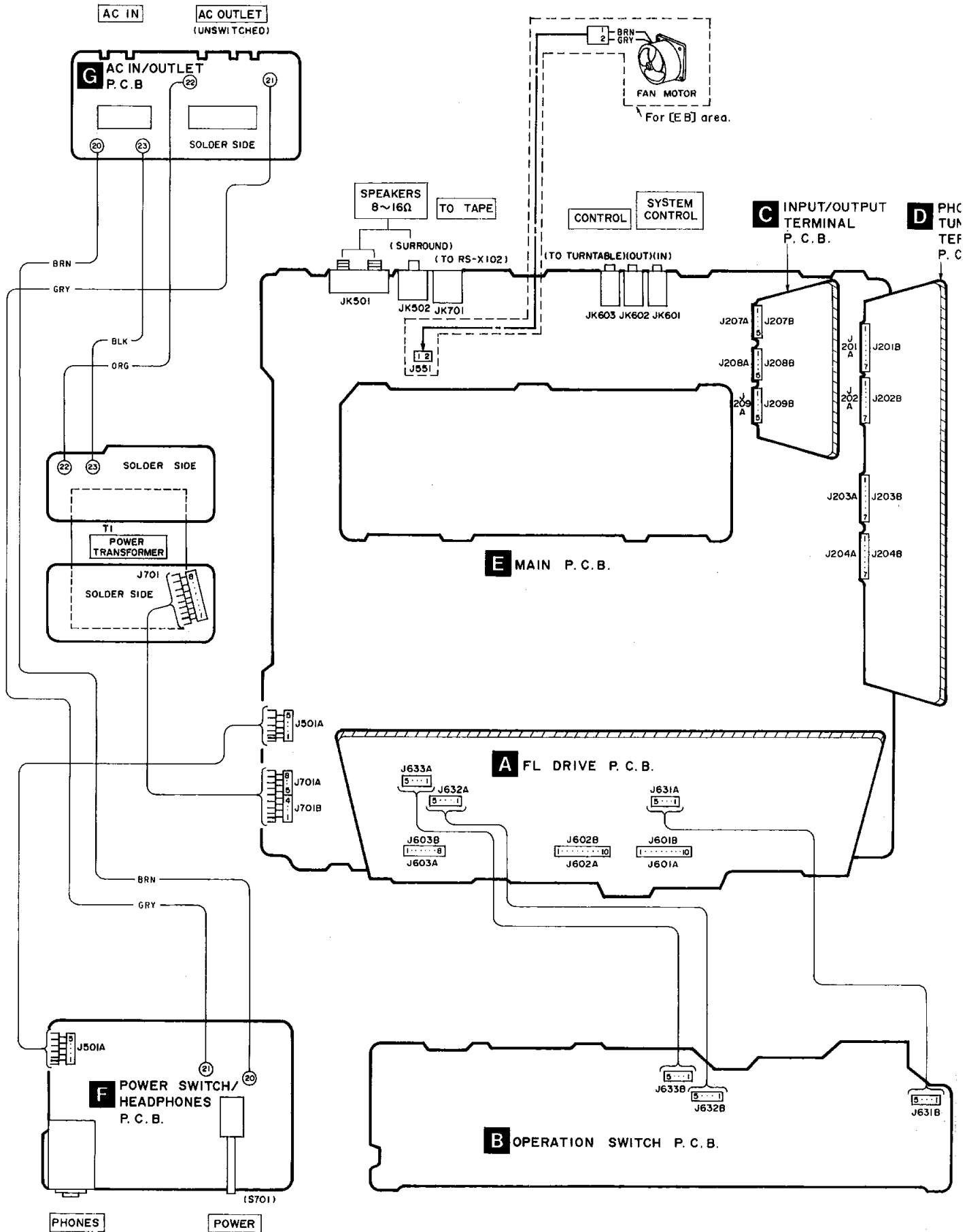
# ■ TERMINAL GUIDE OF IC'S, TRANSISTOR AND DIODES

N) AREA .



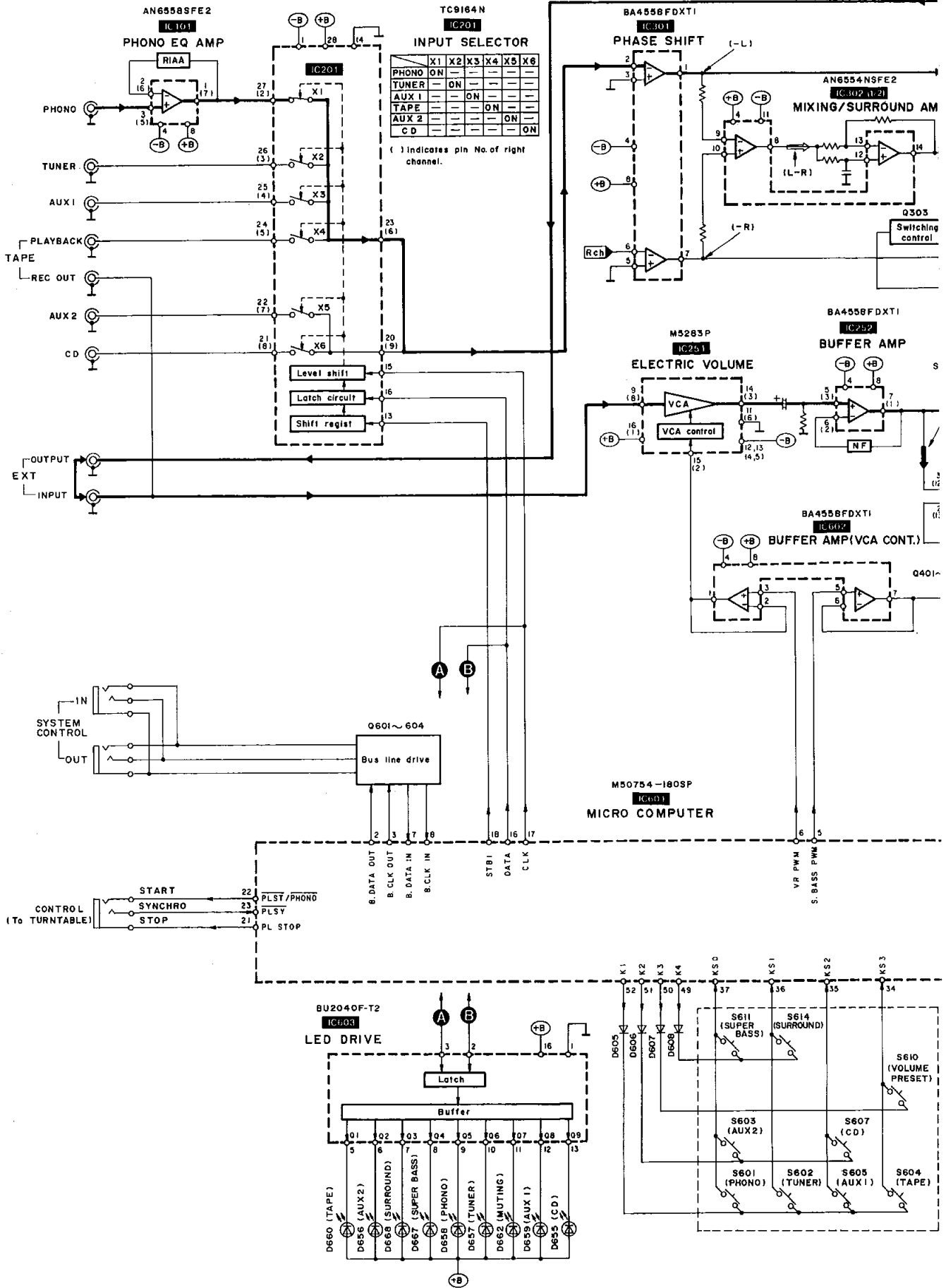
|                                  |   |  |  |
|----------------------------------|---|--|--|
| <p>AN6558SFE2</p>                | <p>BA4558FDXT1</p>  | <p>AN6554NSFE2</p>   | <p>BU2040F-T2</p>  |
| <p>M5218AP</p>                   | <p>AN6554F</p>  | <p>TC4066B</p>   | <p>M5283P</p>  |
| <p>TC9164N</p>                   | <p>M50754-180SP</p>   | <p>SVI3102C</p>  | <p>2SB621AQRSTA<br/>KSD471ACYGTA</p>                           |
|                                  | <p>2SA1309AQSTA<br/>2SC3311AQSTA<br/>2SC3312RSTA<br/>2SD1450STTA<br/>UN4215TA</p> |  | <p>2SD2144STA<br/>DTA114ESTP<br/>DTC114ESTP<br/>DTC144ESTP</p> |
| <p>2SB1187DEF<br/>2SD1761DEF</p> |   | <p>MA165TA<br/>MA167TA<br/>MA700TA<br/>1SS291TA</p>        | <p>P300DLF</p>   |
| <p>MA4150MTA<br/>MA4240MTA</p>   |   | <p>MA4047MTA<br/>MA4051MTA<br/>MA4062HTA<br/>MA4082MTA</p> | <p>LN873RP-C</p>   |

# WIRING CONNECTION DIAGRAM

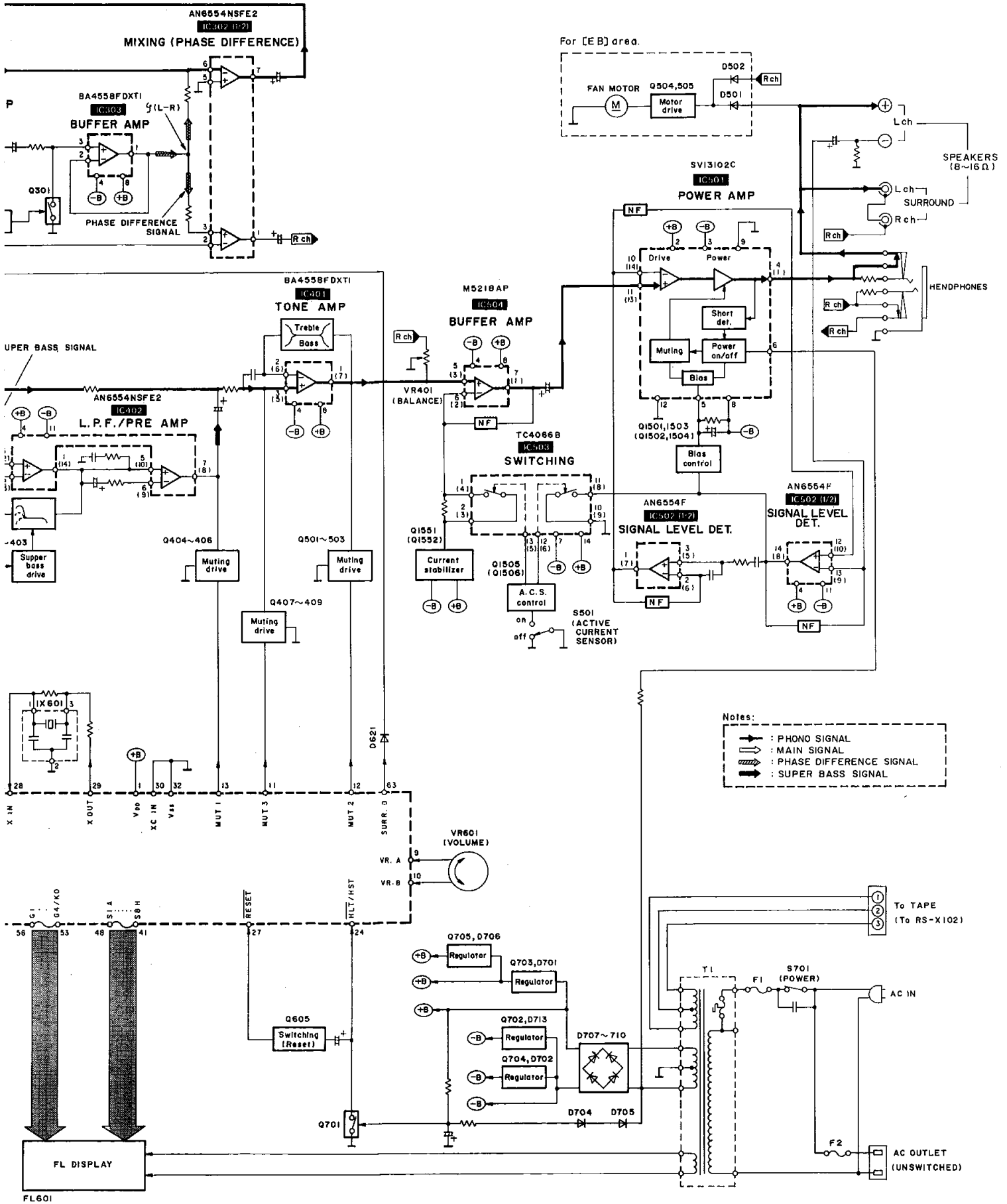


# ■ BLOCK DIAGRAM

PHONO/TAPE  
RECORDER/CD  
TERMINAL  
BLOCK







Notes:

- ➡ : PHONO SIGNAL
- ➡ : MAIN SIGNAL
- ➡ : PHASE DIFFERENCE SIGNAL
- ➡ : SUPER BASS SIGNAL

## ■ FUNCTIONS OF IC TERMINALS

### ● IC601 (M50754-180SP: MICRO COMPUTER)

| Pin No. | Symbol   | I/O | Function Description   |
|---------|--|-----|--|
| 1       | VDD  | —   | To be connected to a power supply (+5 V).  |
| 2       | B.DATA OUT                                       | O   | This is the output terminal for the bus data signal.   |
| 3       | B.CLK OUT  | O   | This is the output terminal for the bus block signal.  |
| 5       | S.BASS PWM                                       | O   | This is the output terminal for the super bass control signal.   |
| 6       | VR PWM   | O   | This terminal outputs the signal for the control of the volume.  |
| 7       | B.DATA IN  | I   | This is the input terminal for the bus data signal.  |
| 8       | B.CLK IN   | I   | This is the input terminal for the bus clock signal.   |
| 9       | VR A   | I   | These are the terminals for the rotary encoder of the volume of VR601.   |
| 10      | VR B   |     |  |
| 11      | MUT 3  | O   | Outputs the -6 dB signal for control of attenuated muting.   |
| 12      | MUT 2  |     |  |
| 13      | MUT 1  | O   | Output the signal for the control of muting.   |
| 15      | REC M  | O   | Output the signal for muting the VTR 1 recording.  |
| 16      | DATA   | O   | These are output terminal for data and clock signals.  |
| 17      | CLK  |     |  |
| 18      | STB 1  | O   | The serial data inputted into IC201 is latched by the STB pulse and the switch is set to ON according to data. |
| 19      | DATA 2   | O   | These are output terminal for data and clock signals.  |
| 20      | CLK 2  |     |  |
| 21      | PLSTOP   | I   | These are the terminals for sync recording on the player.  |
| 22      | $\overline{\text{PLST}}/\overline{\text{PHONO}}$ | O   |  |
| 23      | $\overline{\text{PLSY}}$                         | I   |  |
| 24      | $\overline{\text{HLT}}/\overline{\text{HST}}$    | I   | This is the terminal for the detection of power supply.  |
| 25      | KS4  | I   | This is the key scan terminal.   |
| 27      | $\overline{\text{RESET}}$                        | I   | This is the input terminal for the reset signal.   |
| 28      | X IN   | I   | These are the I/O terminals for the oscillating clock signal.  |
| 29      | X OUT  |     |  |
| 34<br>} | KS 3<br>}  | I   | These are the key scan terminals.  |
| 37      | KS 0   |     |  |
| 41<br>} | S8<br>}  | O   | These terminals output signals for the control of the FL display.  |
| 48      | S1   |     |  |
| 49<br>} | G5/K4<br>}                                       |     |  |
| 56      | G1/K0  |     |  |
| 63      | SURR.D   | O   | This is the output terminal for the surround signal.   |

# REPLACEMENT PARTS LIST

**Notes :** \* Important safety notice:

 Components identified by  $\Delta$  mark have special characteristics important for safety. When replacing any of these components use only manufacturer's specified parts.

\* The parenthesized indications in the Remarks column specify the areas. (Refer to the cover page for area.) Parts without these indications can be used for all areas.

| Ref. No.   | Part No.     | Part Name & Description   | Remarks | Ref. No.          | Part No.     | Part Name & Description | Remarks  |
|------------|--------------|---------------------------|---------|-------------------|--------------|-------------------------|----------|
|            |              | INTEGRATED CIRCUIT(S)     |         | Q1506             | DTA114ESTP   | TRANSISTOR              |          |
|            |              |                           |         | Q1551, 1552       | 2SC3312RSTA  | TRANSISTOR              |          |
| IC101      | AN6558SFE2   | I. C. PHONO EQ AMP        |         |                   |              | DIODE(S)                |          |
| IC201      | TC9164N      | I. C. INPUT SELECTOR      |         | D501, 502         | MA167TA      | DIODE                   | (EB)     |
| IC251      | M5283P       | I. C. ATTENUATOR          |         | D504              | MA4051MTA    | DIODE                   | (EB)     |
| IC252      | BA4558FDXT1  | I. C. BUFFER AMP          |         | D601, 602         | MA700        | DIODE                   |          |
| IC301      | BA4558FDXT1  | I. C. PHASE SHIFT         |         | D603              | MA4047MTA    | DIODE                   |          |
| IC302      | AN6554NSFE2  | I. C. MIXING/SURROUND AMP |         | D605-608          | MA165        | DIODE                   |          |
| IC303      | BA4558FDXT1  | I. C. BUFFER AMP          |         | D612, 613         | MA165        | DIODE                   |          |
| IC401      | BA4558FDXT1  | I. C. TONE AMP            |         | D615              | 1SS291TA     | DIODE                   |          |
| IC402      | AN6554NSFE2  | I. C. L. P. F/PRE AMP     |         | D617, 618         | MA165        | DIODE                   |          |
| IC501      | SV13102C     | I. C. POWER AMP           |         | D620, 621         | MA165        | DIODE                   |          |
| IC502      | AN6554F      | I. C. SIGNAL LIVEL DET.   |         | D655-660          | LN873RP-C    | LED                     |          |
| IC503      | TC4066B      | I. C. SWITCHING           |         | D662              | LN873RP-C    | LED                     |          |
| IC504      | M5218AP      | I. C. BUFFER AMP          |         | D667, 668         | LN873RP-C    | LED                     |          |
| IC601      | M50754-180SP | I. C. MICRO COMPUTER      |         | D701, 702         | MA4150M      | DIODE                   |          |
| IC602      | BA4558FDXT1  | I. C. BUFFER AMP          |         | D703              | MA165        | DIODE                   |          |
| IC603      | BU2040F-T2   | I. C. LED DRIVE           |         | D704, 705         | MA167        | DIODE                   |          |
|            |              | TRANSISTOR(S)             |         | D706              | MA4062-H     | DIODE                   |          |
| Q205       | 2SC3311A-Q   | TRANSISTOR                |         | D707-710 $\Delta$ | P300DLF      | DIODE                   |          |
| Q206       | 2SA1309A-R   | TRANSISTOR                |         | D713              | MA4240H      | DIODE                   |          |
| Q301       | 2SD2144S     | TRANSISTOR                |         | D1501, 1502       | MA4082MTA    | DIODE                   |          |
| Q303       | DTA114ESTP   | TRANSISTOR                |         |                   |              | VARIABLE RESISTOR(S)    |          |
| Q401, 402  | 2SD2144S     | TRANSISTOR                |         | VR401             | EWHFDAF20G15 | V. R                    |          |
| Q403       | DTA114ESTP   | TRANSISTOR                |         | VR601             | EVQWQAF2524B | V. R                    |          |
| Q404       | DTA114ESTP   | TRANSISTOR                |         | VR1301, 302       | EW2XAF20C15  | V. R                    |          |
| Q405-408   | 2SD2144S     | TRANSISTOR                |         |                   |              | COIL(S)                 |          |
| Q409       | 2SA1309A-R   | TRANSISTOR                |         | L501, 502         | SLQY07G-40   | COIL                    |          |
| Q501, 502  | 2SD1450STTA  | TRANSISTOR                |         | L601              | ELEXT100KA9  | COIL                    |          |
| Q503       | 2SA1309A-R   | TRANSISTOR                |         | L602, 603         | RLQZP101KT-Y | COIL                    |          |
| Q504       | 2SC3311AQSTA | TRANSISTOR                | (EB)    |                   |              | TRANSFORMER             |          |
| Q505       | 2SA1309AQSTA | TRANSISTOR                | (EB)    | T1 $\Delta$       | RTP1M5E008-V | POWER TRANSFORMER       | (E, EG)  |
| Q601       | 2SC3311A-Q   | TRANSISTOR                |         | T1 $\Delta$       | RTP1M5B002-V | POWER TRANSFORMER       | (EB, GN) |
| Q602       | DTC144EKT96  | TRANSISTOR                |         | T1 $\Delta$       | RTP1M5G002-V | POWER TRANSFORMER       | (GC)     |
| Q603       | 2SC3311A-Q   | TRANSISTOR                |         |                   |              | OSCILLATOR(S)           |          |
| Q604       | DTC144EKT96  | TRANSISTOR                |         | X601              | EFOGC6004T4  | CERAMIC FILTER          |          |
| Q605       | DTC114ESTP   | TRANSISTOR                |         |                   |              |                         |          |
| Q701       | UN4215       | TRANSISTOR                |         |                   |              |                         |          |
| Q702       | 2SB621A-R    | TRANSISTOR                |         |                   |              |                         |          |
| Q703       | 2SD1761DEF   | TRANSISTOR                |         |                   |              |                         |          |
| Q704       | 2SB1187DEF   | TRANSISTOR                |         |                   |              |                         |          |
| Q705       | KSD471ACYGTA | TRANSISTOR                |         |                   |              |                         |          |
| Q1501-1504 | 2SA1309A-R   | TRANSISTOR                |         |                   |              |                         |          |
| Q1505      | DTC114ESTP   | TRANSISTOR                |         |                   |              |                         |          |

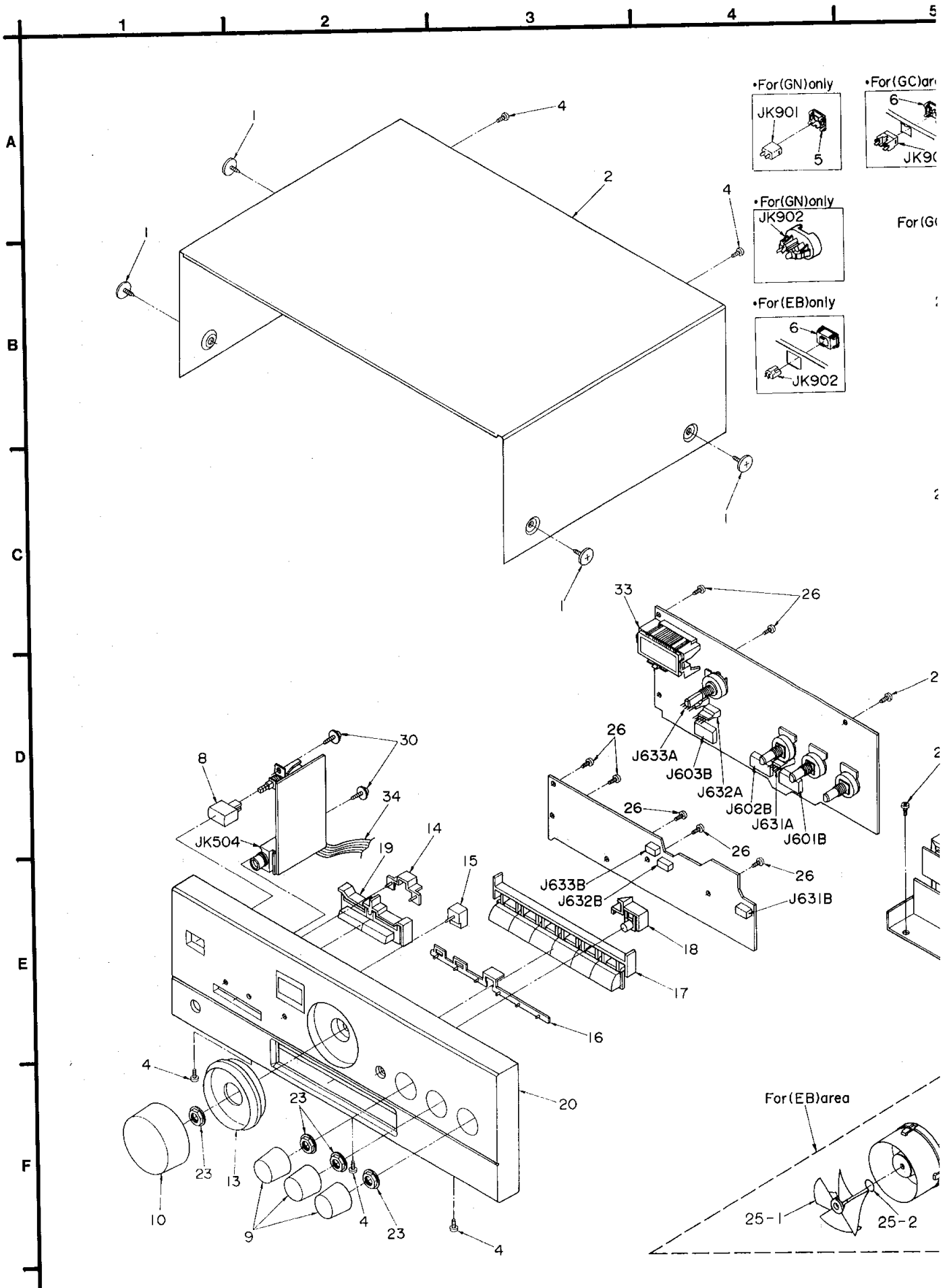
| Ref. No. | Part No.     | Part Name & Description   | Remarks     | Ref. No. | Part No.     | Part Name & Description      | Remarks         |
|----------|--------------|---------------------------|-------------|----------|--------------|------------------------------|-----------------|
|          |              | DISPLAY TUBE              |             | J603B    | RJT003K008M1 | CONNECTOR (8P)               |                 |
|          |              |                           |             | J631B    | SJS50581BB   | SOCKET (5P)                  |                 |
| FL601    | RSL0074-F    | DISPLAY TUBE              |             | J632B    | SJS50581BB   | SOCKET (5P)                  |                 |
|          |              | FUSE (S)                  |             | J633B    | SJS50581BB   | SOCKET (5P)                  |                 |
|          |              |                           |             | J701B    | RJS1A1704    | SOCKET (4P)                  |                 |
|          |              |                           |             |          |              | JACK (S)                     |                 |
| F1 △     | XBA2C08TBO   | FUSE                      |             | JK201    | SJF3068N     | TERMINAL, PHONO              |                 |
| F1 △     | XBA2C16TBO   | FUSE                      | (GC)        | JK202    | SJF3069-5N   | TERMINAL, TAPE               |                 |
| F2 △     | XBA2C08TBO   | FUSE                      | (E, EB, EG) | JK203    | SJF3069N     | TERMINAL, TUNER/CD           |                 |
|          |              | SWITCH (ES)               |             | JK205    | SJF3069-5N   | TERMINAL, AUX 1/2            |                 |
| S501     | RSS2B006-M   | SW, ACTIVE CURRENT SENSOR |             | JK206    | SJF3069N     | TERMINAL, EXT OUT/IN         |                 |
| S601     | EVQ21405R    | SW, SPEAKER ON/OFF        |             | JK501    | RJR0054M     | TERMINAL, SPEAKER            |                 |
| S602     | EVQ21405R    | SW, TUNER                 |             | JK502    | SJF3068-4N   | TERMINAL, SURROUND           |                 |
| S603     | EVQ21405R    | SW, AUX 2                 |             | JK504    | SJJ145A-1    | JACK, HEADPHONES             |                 |
| S604     | EVQ21405R    | SW, TAPE                  |             | JK601    | RJJ33T01     | SYNCHRO, SYSTEM CONT. IN     |                 |
| S605     | EVQ21405R    | SW, AUX 1                 |             | JK602    | RJJ33T01     | SYNCHRO, SYSTEM CONT. OUT    |                 |
| S607     | EVQ21405R    | SW, CD                    |             | JK603    | RJJ33T01     | SYNCHRO, CONTROL TO TURNTABL |                 |
| S610     | EVQ21405R    | SW, VOLUME PRESET         |             | JK701    | RJS1A0203-0  | CONNECTOR, TAPE              |                 |
| S611     | EVQ21405R    | SW, SUPER BASS            |             | JK901 △  | SJS9231-1B   | AC INLET                     | (E, EB, EG, GC) |
| S614     | EVQ21405R    | SW, SURROUND              |             | JK901 △  | SJS9234B     | AC INLET                     | (GN)            |
| S701 △   | ESB8249V     | SW, POWER                 |             | JK902 △  | SJS9333B     | AC OUTLET                    | (E, EG)         |
| S702 △   | ESE37263     | SW, VOLTAGE SELECTOR      | (GC)        | JK902 △  | SJS9332B     | AC OUTLET                    | (EB)            |
|          |              | CONNECTOR                 |             | JK902 △  | SJS9233B     | AC OUTLET                    | (GC)            |
|          |              |                           |             |          |              | FUSE HOLDER                  |                 |
| J201A    | RJU060G07T   | SOCKET                    |             | FC1, 2 △ | SJT388       | FUSE HOLDER                  |                 |
| J202A    | RJU060G07T   | SOCKET                    |             | FC3, 4 △ | SJT388       | FUSE HOLDER                  | (E, EB, EG, GC) |
| J203A    | RJU060G07T   | SOCKET                    |             |          |              |                              |                 |
| J204A    | RJU060G07T   | SOCKET                    |             |          |              |                              |                 |
| J207A    | RJU060G05T   | SOCKET                    |             |          |              |                              |                 |
| J208A    | RJU060G05T   | SOCKET                    |             |          |              |                              |                 |
| J209A    | RJU060G05T   | SOCKET                    |             |          |              |                              |                 |
| J501A    | RJS1A1705    | CONNECTOR (5P)            |             |          |              |                              |                 |
| J551     | SJT3213      | CONNECTOR                 | (EB)        |          |              |                              |                 |
| J601A    | RJU003K010M1 | SOCKET (10P)              |             |          |              |                              |                 |
| J602A    | RJU003K010M1 | SOCKET (10P)              |             |          |              |                              |                 |
| J603A    | RJU003K008M1 | SOCKET (8P)               |             |          |              |                              |                 |
| J631A    | SJT30549BB1  | CONNECTOR                 |             |          |              |                              |                 |
| J632A    | SJT30549BB1  | CONNECTOR                 |             |          |              |                              |                 |
| J633A    | SJT30549BB1  | CONNECTOR                 |             |          |              |                              |                 |
| J701A    | RJS1A1704    | SOCKET (4P)               |             |          |              |                              |                 |
| J201B    | RJT060B07    | CONNECTOR                 |             |          |              |                              |                 |
| J202B    | RJT060B07    | CONNECTOR                 |             |          |              |                              |                 |
| J203B    | RJT060B07    | CONNECTOR                 |             |          |              |                              |                 |
| J204B    | RJT060B07    | CONNECTOR                 |             |          |              |                              |                 |
| J207B    | RJT060B05    | CONNECTOR                 |             |          |              |                              |                 |
| J208B    | RJT060B05    | CONNECTOR                 |             |          |              |                              |                 |
| J209B    | RJT060B05    | CONNECTOR                 |             |          |              |                              |                 |
| J601B    | RJT003K010M1 | CONNECTOR (10P)           |             |          |              |                              |                 |
| J602B    | RJT003K010M1 | CONNECTOR (10P)           |             |          |              |                              |                 |

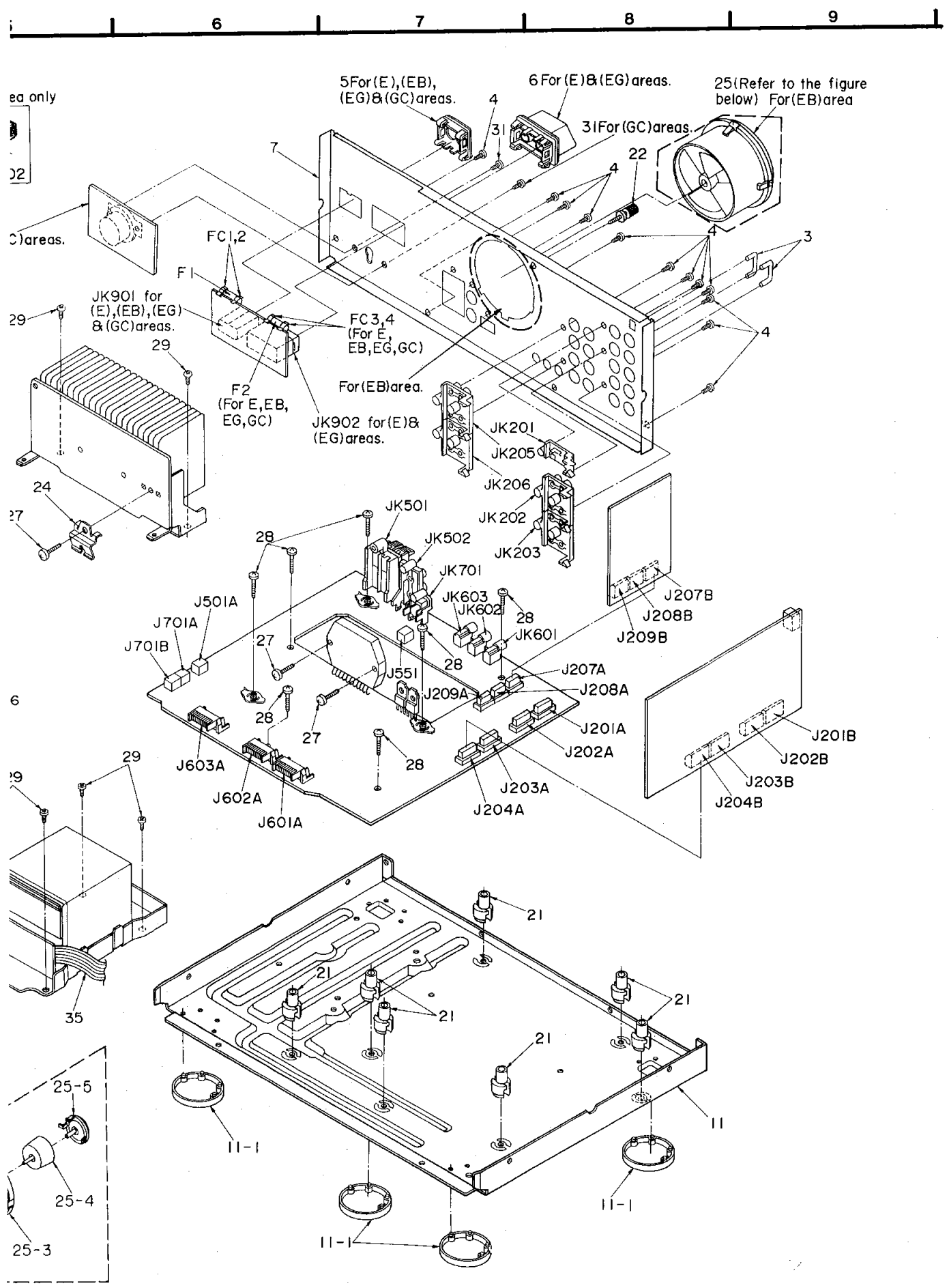
Notes : \* Capacity value are in microfarads (uF) unless specified otherwise, P=Pico-farads (pF) F=Farads (F)  
 \* Resistance values are in ohms, unless specified otherwise, 1K=1,000(OHM) , 1M=1,000k(OHM)

| Ref. No.  | Part No.    | Values & Remarks | Ref. No.  | Part No.     | Values & Remarks | Ref. No.  | Part No.     | Values & Remarks |
|-----------|-------------|------------------|-----------|--------------|------------------|-----------|--------------|------------------|
|           |             | RESISTORS        | R413, 414 | ERDS2TJ153   | 1/4W 15K         | R550      | ERDS2TJ102   | 1/4W 1K          |
|           |             |                  | R415, 416 | ERDS2TJ222   | 1/4W 2.2K        | R551      | ERDS2TJ104   | 1/4W 100K        |
|           |             |                  | R417, 418 | ERDS2TJ221   | 1/4W 220         | R554      | ERD25FJ470   | 1/4W 47 Δ        |
| R107, 108 | ERDS2TJ471  | 1/4W 470         | R419, 420 | ERDS2TJ273   | 1/4W 27K         | R601      | ERDS2TJ223   | 1/4W 22K         |
| R109, 110 | ERDS2TJ473  | 1/4W 47K         | R421, 422 | ERDS2TJ470   | 1/4W 47          | R602-604  | ERDS2TJ393   | 1/4W 39K         |
| R111, 112 | ERDS2TJ331  | 1/4W 330         | R423, 424 | ERDS2TJ153   | 1/4W 15K         | R605      | ERDS2TJ223   | 1/4W 22K         |
| R113, 114 | ERDS2TJ560T | 1/4W 56          | R425-428  | ERDS2TJ152   | 1/4W 1.5K        | R606-608  | ERDS2TJ393   | 1/4W 39K         |
| R115, 116 | ERDS2TJ184T | 1/4W 180K        | R429, 430 | ERDS2TJ333   | 1/4W 33K         | R609-612  | ERDS2TJ100   | 1/4W 10          |
| R117, 118 | ERDS2TJ123  | 1/4W 12K         | R431, 432 | ERDS2TJ102   | 1/4W 1K          | R613      | ERDS2TJ120T  | 1/4W 12          |
| R119, 120 | ERDS2TJ224T | 1/4W 220K        | R433      | ERDS2TJ105T  | 1/4W 1M          | R614      | ERDS2TJ150T  | 1/4W 15          |
| R121, 122 | ERDS2TJ102  | 1/4W 1K          | R434      | ERDS2TJ334   | 1/4W 330K        | R615, 616 | ERDS2TJ151   | 1/4W 150         |
| R123, 124 | ERDS2TJ471  | 1/4W 470         | R435, 436 | ERDS2TJ102   | 1/4W 1K          | R617-620  | ERDS2TJ104   | 1/4W 100K        |
| R201, 202 | ERDS2TJ472  | 1/4W 4.7K        | R437      | ERDS2TJ105T  | 1/4W 1M          | R621, 622 | ERDS2TJ103   | 1/4W 10K         |
| R203-206  | ERDS2TJ102  | 1/4W 1K          | R438      | ERDS2TJ334   | 1/4W 330K        | R623      | ERDS2TJ222   | 1/4W 2.2K        |
| R207-210  | ERDS2TJ822  | 1/4W 8.2K        | R439, 440 | ERDS2TJ152   | 1/4W 1.5K        | R624      | ERDS2TJ332   | 1/4W 3.3K        |
| R213, 214 | ERDS2TJ822  | 1/4W 8.2K        | R441, 442 | ERDS2TJ222   | 1/4W 2.2K        | R625      | ERDS2TJ103   | 1/4W 10K         |
| R215-218  | ERDS2TJ102  | 1/4W 1K          | R443, 444 | ERDS2TJ102   | 1/4W 1K          | R626      | ERDS2TJ332   | 1/4W 3.3K        |
| R232, 233 | ERDS2TJ272T | 1/4W 2.7K        | R445      | ERDS2TJ222   | 1/4W 2.2K        | R627      | ERDS2TJ222   | 1/4W 2.2K        |
| R249      | ERDS2TJ103  | 1/4W 10K         | R446      | ERDS2TJ104   | 1/4W 100K        | R628      | ERDS2TJ332   | 1/4W 3.3K        |
| R250      | ERDS2TJ223  | 1/4W 22K         | R447      | ERDS2TJ334   | 1/4W 330K        | R629      | ERDS2TJ103   | 1/4W 10K         |
| R251, 252 | ERDS2TJ473  | 1/4W 47K         | R448      | ERDS2TJ105T  | 1/4W 1M          | R630      | ERDS2TJ102   | 1/4W 1K          |
| R253, 254 | ERDS2TJ183T | 1/4W 18K         | R449      | ERDS2TJ332   | 1/4W 3.3K        | R631      | ERDS2TJ103   | 1/4W 10K         |
| R255, 256 | ERDS2TJ153  | 1/4W 15K         | R450      | ERDS2TJ103   | 1/4W 10K         | R632      | ERDS2TJ222   | 1/4W 2.2K        |
| R257, 258 | ERDS2TJ473  | 1/4W 47K         | R471-474  | ERDS2TJ334   | 1/4W 330K        | R633      | ERDS2TJ103   | 1/4W 10K         |
| R271, 272 | ERDS2TJ152  | 1/4W 1.5K        | R477, 478 | ERDS2TJ102   | 1/4W 1K          | R634      | ERDS2TJ822   | 1/4W 8.2K        |
| R297, 298 | ERDS2TJ182  | 1/4W 1.8K        | R500      | ERDS2TJ100   | 1/4W 10          | R635      | ERDS2TJ393   | 1/4W 39K         |
| R301-304  | ERDS2TJ223  | 1/4W 22K         | R501      | ERDS2TJ104   | 1/4W 100K        | R636      | ERDS2TJ332   | 1/4W 3.3K        |
| R305, 306 | ERDS2TJ224T | 1/4W 220K        | R502      | ERDS2TJ105T  | 1/4W 1M          | R637      | ERDS2TJ103   | 1/4W 10K         |
| R307, 308 | ERDS2TJ332  | 1/4W 3.3K        | R507, 508 | ERDS2TJ222   | 1/4W 2.2K        | R638      | ERDS2TJ104   | 1/4W 100K        |
| R309, 310 | ERDS2TJ223  | 1/4W 22K         | R509, 510 | ERDS2TJ563   | 1/4W 56K         | R639      | ERDS2TJ105T  | 1/4W 1M          |
| R311, 312 | ERDS2TJ393  | 1/4W 39K         | R511, 512 | ERDS2TJ182   | 1/4W 1.8K        | R640      | ERDS2TJ102   | 1/4W 1K          |
| R313-315  | ERDS2TJ223  | 1/4W 22K         | R513, 514 | ERDS2TJ563   | 1/4W 56K         | R641      | ERDS2TJ223   | 1/4W 22K         |
| R316      | ERDS2TJ622T | 1/4W 6.2K        | R515, 516 | ERDS2TJ223T  | 1/4W 22K (EB)    | R642      | ERDS2TJ103   | 1/4W 10K         |
| R317      | ERDS2TJ562  | 1/4W 5.6K        | R517      | ERDS2TJ563T  | 1/4W 56K (EB)    | R643      | ERDS2TJ105T  | 1/4W 1M          |
| R318      | ERDS2TJ123  | 1/4W 12K         | R518      | ERDS2TJ684   | 1/4W 680K        | R646      | ERDS2TJ223   | 1/4W 22K         |
| R319      | ERDS2TJ224T | 1/4W 220K        | R519      | ERDS2TJ154   | 1/4W 150K        | R653-655  | ERDS2TJ331   | 1/4W 330         |
| R321, 322 | ERDS2TJ332  | 1/4W 3.3K        | R520      | ERDS2TJ153T  | 1/4W 15K (EB)    | R659      | ERDS2TJ272T  | 1/4W 2.7K        |
| R324      | ERDS2TJ332  | 1/4W 3.3K        | R521      | ERDS2TJ103T  | 1/4W 10K (EB)    | R661      | ERDS2TJ331   | 1/4W 330         |
| R325, 326 | ERDS2TJ392T | 1/4W 3.9K        | R522      | ERDS1FVJ680T | 1/2W 68 (EB) Δ   | R662      | ERDS2TJ101   | 1/4W 100         |
| R327, 328 | ERDS2TJ104  | 1/4W 100K        | R524      | ERDS2TJ105T  | 1/4W 1M          | R697-699  | ERDS2TJ101   | 1/4W 100         |
| R329      | ERDS2TJ332  | 1/4W 3.3K        | R525, 526 | ERD25FVJ100T | 1/4W 10 Δ        | R701, 702 | ERDS1FVJ332T | 1/2W 3.3K Δ      |
| R331      | ERDS2TJ105T | 1/4W 1M          | R527, 528 | ERDS1FVJ100T | 1/2W 10 Δ        | R703      | ERD25FJ101   | 1/4W 100 Δ       |
| R332      | ERDS2TJ334  | 1/4W 330K        | R531, 532 | ERG2S331P    | 2W 330           | R704      | ERDS2TJ473   | 1/4W 47K         |
| R401, 402 | ERDS2TJ823T | 1/4W 82K         | R533, 534 | ERDS2TJ562   | 1/4W 5.6K        | R705      | ERDS2TJ103   | 1/4W 10K         |
| R403, 404 | ERDS2TJ683  | 1/4W 68K         | R535-538  | ERDS2TJ472   | 1/4W 4.7K        | R706      | ERDS1FVJ2R2T | 1/2W 2.2 Δ       |
| R405, 406 | ERDS2TJ393  | 1/4W 39K         | R539      | ERDS2TJ102   | 1/4W 1K          | R707      | ERDS1FVJ3R3T | 1/2W 3.3 Δ       |
| R407, 408 | ERDS2TJ333  | 1/4W 33K         | R540      | ERDS2TJ334   | 1/4W 330K        | R709      | ERDS2TJ332   | 1/4W 3.3K        |
| R409, 410 | ERDS2TJ103  | 1/4W 10K         | R542      | ERDS2TJ103   | 1/4W 10K         | R710      | ERDS1FVJ331T | 1/2W 330 Δ       |
| R411, 412 | ERDS2TJ332  | 1/4W 3.3K        | R543      | ERDS1FVJ560T | 1/2W 56 (EB) Δ   | R711      | ERDS2TJ102   | 1/4W 1K          |

| Ref. No.    | Part No.     | Values & Remarks | Ref. No.  | Part No.     | Values & Remarks | Ref. No.    | Part No.     | Values & Remarks |
|-------------|--------------|------------------|-----------|--------------|------------------|-------------|--------------|------------------|
| R713        | ERDS2TJ2R2T  | 1/4W 2.2         | C221-226  | ECBT1H101KB5 | 50V 100P         | C537, 538   | ECBT1H102KB5 | 50V 1000P        |
| R718        | ERDS1FVJ820T | 1/2W 82 Δ        | C229, 230 | ECBT1H101KB5 | 50V 100P         | C543, 544   | ECBT1H102KB5 | 50V 1000P        |
| R727        | ERDS2TJ104   | 1/4W 100K        | C231, 232 | ECBT1E103ZF  | 25V 0.01U        | C597, 598   | ECBT1H102KB5 | 50V 1000P        |
| R1301, 1302 | ERDS2TJ102   | 1/4W 1K          | C250      | ECEA1CKA220B | 16V 22U          | C601        | ECBT1E103ZF  | 25V 0.01U        |
| R1303, 1304 | ERDS2TJ822   | 1/4W 8.2K        | C251, 252 | ECEA1HKA3R3B | 50V 3.3U         | C602        | ECEAOJU102   | 6.3V 1000U       |
| R1305, 1306 | ERDS2TJ223   | 1/4W 22K         | C253, 254 | ECEA1HKA47B  | 50V 0.47U        | C603        | ECEA1HKA3R3B | 50V 3.3U         |
| R1307, 1308 | ERDS2TJ392T  | 1/4W 3.9K        | C255, 256 | ECBT1H180J5  | 50V 18P          | C604        | ECEA1VKA100B | 35V 10U          |
| R1309, 1310 | ERDS2TJ182   | 1/4W 1.8K        | C258      | ECBT1E223ZF  | 25V 0.022U       | C605        | ECBT1E103ZF  | 25V 0.01U        |
| R1311, 1312 | ERDS2TJ821   | 1/4W 820         | C271, 272 | ECBT1H101KB5 | 50V 100P         | C606, 607   | ECEA1HKA010B | 50V 1U           |
| R1313, 1314 | ERDS2TJ333   | 1/4W 33K         | C273, 274 | ECEA1CKA220B | 16V 22U          | C608        | ECBT1H101KB5 | 50V 100P         |
| R1501, 1502 | ERDS2TJ123   | 1/4W 12K         | C297, 298 | ECBT1H151KB5 | 50V 150P         | C651        | ECBT1H104ZF5 | 50V 0.1U         |
| R1503, 1504 | ERDS2TJ103   | 1/4W 10K         | C301, 302 | ECA1HAP3R3B  | 50V 3.3U         | C653        | ECBT1H470J5  | 50V 47P          |
| R1505, 1506 | ERDS2TJ101   | 1/4W 100         | C303      | ECBT1H680J5  | 50V 68P          | C700        | ECKWNS103ZV  | 500V 0.01U Δ     |
| R1507, 1508 | RREEMKR10VC  | 2W 0.1           | C304      | ECQV1H823JZ  | 50V 0.082U       | C701        | ECBT1H102KB5 | 50V 1000P        |
| R1509-1512  | ERDS2TJ103   | 1/4W 10K         | C305      | ECEA1HKA3R3B | 50V 3.3U         | C702        | ECKR1H103ZF5 | 50V 0.01U        |
| R1513-1516  | ERDS2TJ104   | 1/4W 100K        | C306      | ECBT1H221KB5 | 50V 220P         | C703, 704   | ECEA1EKA100B | 25V 10U          |
| R1517, 1518 | ERDS2TJ472   | 1/4W 4.7K        | C307      | ECEA1HKA3R3B | 50V 3.3U         | C705, 706   | ECEA1CKA100B | 16V 10U          |
| R1519, 1520 | ERDS2TJ272T  | 1/4W 2.7K        | C309, 310 | ECBT1H820KB5 | 50V 82P          | C707        | ECBT1E103ZF  | 25V 0.01U        |
| R1521-1526  | ERDS2TJ563   | 1/4W 56K         | C311, 312 | ECA1HAP3R3B  | 50V 3.3U         | C708        | ECEA1CKA100B | 16V 100U         |
| R1527, 1528 | ERDS2TJ103   | 1/4W 10K         | C313, 314 | ECBT1E103ZF  | 25V 0.01U        | C709        | ECEA1HKA2R2B | 50V 2.2U         |
| R1529, 1530 | ERDS2TJ392T  | 1/4W 3.9K        | C395, 396 | ECBT1H120J5  | 50V 12P          | C710        | ECBT1E223ZF  | 25V 0.022U       |
| R1531, 1532 | ERDS2TJ223   | 1/4W 22K         | C398, 399 | ECBT1E103ZF  | 25V 0.01U        | C711, 712   | ECEA1HJ332UB | 50V 3300U        |
| R1533, 1534 | ERDS2TJ472   | 1/4W 4.7K        | C411, 412 | ECFR1E123KR  | 25V 0.012U       | C713        | ECQE1104KF3  | 100V 0.1U        |
| R1535, 1536 | ERDS2TJ223   | 1/4W 22K         | C413, 414 | ECEA1HKA2R2B | 50V 0.22U        | C715        | ECEA1VKA100B | 35V 10U          |
| R1537, 1538 | ERDS2TJ103   | 1/4W 10K         | C415, 416 | ECFR1E682KR  | 25V 6800P        | C731        | ECFR1E104ZF5 | 25V 0.1U         |
| R1539       | ERDS2TJ333   | 1/4W 33K         | C417, 418 | ECFR1E272KR  | 25V 2700P        | C1301, 1302 | ECFR1E123KR  | 25V 0.012U       |
| R1540       | ERDS2TJ102   | 1/4W 1K          | C419, 420 | ECFR1E333KR  | 25V 0.033U       | C1303, 1304 | ECFR1E683KR  | 25V 0.068U       |
| R1541, 1542 | ERDS2TJ752T  | 1/4W 7.5K        | C421, 422 | ECEA1HKA3R3B | 50V 3.3U         | C1305, 1306 | ECFR1E472KR  | 25V 4700P        |
| R1551, 1552 | ERDS2TJ223   | 1/4W 22K         | C423, 424 | ECA1HAP100B  | 50V 10U          | C1307, 1308 | ECFR1E223KR  | 25V 0.022U       |
| R1553, 1554 | ERDS2TJ103   | 1/4W 10K         | C427      | ECEAOJKA470B | 6.3V 47U         | C1309, 1310 | ECA1HAP010B  | 50V 1U           |
| R1555, 1556 | ERDS2TJ562   | 1/4W 5.6K        | C432      | ECEA1CKA100B | 16V 10U          | C1501-1504  | ECEA1HKA2R2B | 50V 2.2U         |
| R1557, 1558 | ERDS2TJ103   | 1/4W 10K         | C433, 434 | ECBT1E103ZF  | 25V 0.01U        | C1505, 1506 | ECFR1E223KR  | 25V 0.022U       |
| R1559, 1560 | ERDS2TJ273   | 1/4W 27K         | C451, 452 | ECEA1CKA220B | 16V 22U          | C1507, 1508 | ECBT1H820KB5 | 50V 82P          |
| R1561-1564  | ERDS2TJ102   | 1/4W 1K          | C471, 472 | ECA1HAP3R3B  | 50V 3.3U         | C1509-1512  | ECFR1E104KR  | 25V 0.1U         |
| R1565, 1566 | ERDS2TJ123   | 1/4W 12K         | C473, 474 | ECBT1H101KB5 | 50V 100P         | C1513, 1514 | ECBT1H331KB5 | 50V 330P         |
| R1567, 1568 | ERDS2TJ683   | 1/4W 68K         | C475, 476 | ECBT1H821KB5 | 50V 820P         | C1515, 1516 | ECBT1C103MS5 | 16V 0.01U        |
|             |              |                  | C477, 478 | ECBT1H680J5  | 50V 68P          | C1517, 1518 | ECBT1E103ZF  | 25V 0.01U        |
|             |              |                  | C479, 480 | ECEA1HKA3R3B | 50V 3.3U         | C1521A      | ECA1HAP2R2B  | 50V 2.2U         |
|             |              | CAPACITORS       | C483, 484 | ECBT1E103ZF  | 25V 0.01U        | C1521       | ECBT1H102KB5 | 50V 1000P        |
| C107, 108   | ECBT1H101KB5 | 50V 100P         | C501, 502 | ECBT1H331KB5 | 50V 330P         | C1522A      | ECA1HAP2R2B  | 50V 2.2U         |
| C109, 110   | ECBT1H102KB5 | 50V 1000P        | C503, 504 | ECBT1H151KB5 | 50V 150P         | C1522       | ECBT1H102KB5 | 50V 1000P        |
| C111, 112   | ECA1EAP330B  | 25V 33P          | C505, 506 | ECA1HAP2R2B  | 50V 2.2U         | C1551, 1552 | ECA1HAP3R3B  | 50V 3.3U         |
| C115, 116   | ECFR1E223KR  | 25V 0.022U       | C507, 508 | ECBT1H6R8K5  | 50V 6.8P         | C1553, 1554 | ECBT1H151KB5 | 50V 150P         |
| C117, 118   | ECFR1E682KR  | 25V 6800P        | C509, 510 | ECKT1H223ZF  | 50V 0.022U       | C1555, 1556 | ECEA1HKA2R2B | 50V 2.2U         |
| C119, 120   | ECA1HAP010B  | 50V 1U           | C513      | ECEA1CKA100B | 16V 10U (EB)     | C1557, 1558 | ECQV1H124JZ3 | 50V 0.12U        |
| C121, 122   | ECBT1E103ZF  | 25V 0.01U        | C514      | ECEAOJKA470B | 6.3V 47U         | C1559, 1560 | ECBT1E103ZF  | 25V 0.01U        |
| C200        | ECBT1E223ZF  | 25V 0.022U       | C516-518  | ECBT1E103ZF  | 25V 0.01U        |             |              |                  |
| C201        | ECBT1H470J5  | 50V 47P          | C519      | ECA1HAP330B  | 55V 33U          |             |              |                  |
| C203, 204   | ECBT1E103ZF  | 25V 0.01U        | C520      | ECA2AAP100B  | 100V 10U         |             |              |                  |
| C205, 206   | ECBT1H180J5  | 50V 18P          | C523, 524 | ECA1HAP3R3B  | 50V 3.3U         |             |              |                  |
| C207, 208   | ECBT1H151KB5 | 50V 150P         | C525, 526 | ECBT1H331KB5 | 50V 330P         |             |              |                  |
| C209-216    | ECBT1H101KB5 | 50V 100P         | C535, 536 | ECBT1E223ZF  | 25V 0.022U       |             |              |                  |

# ■ CABINET PARTS LOCATION



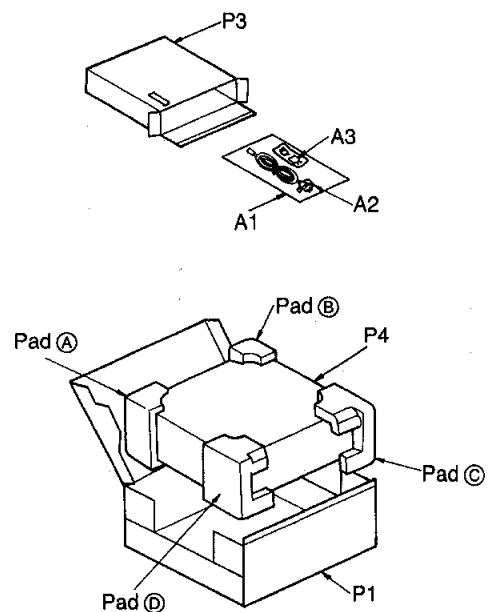




| Ref. No. | Part No.     | Part Name & Description | Remarks         |
|----------|--------------|-------------------------|-----------------|
|          |              | CABINET PARTS           |                 |
| 1        | RHD30007     | SCREW                   |                 |
| 2        | RKMD024A-2K  | CABINET                 |                 |
| 3        | SJP9205-2Y   | SHORTING PIN            |                 |
| 4        | XTBS3+8JFZ1  | SCREW                   |                 |
| 5        | SJS9234A     | AC INLET COVER          | (GN)            |
| 5        | SJS9231A     | AC INLET COVER          | (E, EB, EG, GC) |
| 6        | SJS9332A     | AC OUTLET COVER         | (EB)            |
| 6        | SJS9233A     | AC OUTLET COVER         | (GC)            |
| 6        | RJS1A4602    | AC OUTLET COVER         | (GN)            |
| 6        | SJS9333A     | AC OUTLET COVER         | (E, EG)         |
| 7        | RGR0105F-B1  | REAR PANEL              | (EB)            |
| 7        | RGR0105K-B1  | REAR PANEL              | (EG)            |
| 7        | RGR0105L-1   | REAR PANEL              | (GC)            |
| 7        | RGR0105M-1   | REAR PANEL              | (GN)            |
| 7        | RGR0105K-A1  | REAR PANEL              | (E)             |
| 8        | RGU0030      | POWER BUTTON            |                 |
| 9        | RGW0072      | KNOB, TONE              |                 |
| 10       | RGW0076-1    | KNOB, MAIN VOL          |                 |
| 11       | RFKJUX502E-K | CHASSIS ASS'Y           |                 |
| 11-1     | RKA0011-2    | FOOT                    |                 |
| 13       | RGR0315A-K   | ORNAMENT                |                 |
| 14       | RGL0132-C    | PANEL LIGHT             |                 |
| 15       | RGL0133-C    | PANEL LIGHT             |                 |
| 16       | RGL0137-C    | PANEL LIGHT             |                 |
| 17       | RGU0470B-K   | BUTTON, SELECT          |                 |
| 18       | RGU0471-K1   | BUTTON, VOL PRESET      |                 |
| 19       | RGU0591A-K   | BUTTON, SUPER BASS      |                 |
| 20       | RFKJUX102E   | FRONT PANEL ASS'Y       |                 |
| 21       | SHE187-2     | HOLDER                  |                 |
| 22       | SNE2123      | GND SCREW               |                 |
| 23       | SNE4021-1    | NUT                     |                 |
| 24       | SUS894-1     | ANGLE                   |                 |
| 25       | SYE1128-2    | FAN ASS'Y               | (EB)            |
| 25-1     | SHE232       | FAN                     | (EB)            |
| 25-2     | SUS271       | SPRING                  | (EB)            |
| 25-3     | SHE233       | FAN CASE                | (EB)            |
| 25-4     | MDN-4RB4MRC  | MOTOR                   | (EB)            |
| 25-5     | SHE234       | CAP                     | (EB)            |
| 26       | XTBS26+8J    | SCREW                   |                 |
| 27       | XTB3+16JFZ   | SCREW                   |                 |
| 28       | XTB3+20JFZ   | SCREW                   |                 |
| 29       | XTB3+8JFZ    | SCREW                   |                 |
| 30       | XTWS3+8T     | SCREW                   |                 |
| 31       | XYN3+C6FZ    | SCREW                   | (GC)            |
| 33       | RMN0102      | FL HOLDER               |                 |
| 34       | RWJ1805130KQ | FLAT CABLE              |                 |
| 35       | RWJ1808110KQ | FLAT CABLE              |                 |

| Ref. No. | Part No.     | Part Name & Description  | Remarks     |
|----------|--------------|--------------------------|-------------|
|          |              | PACKING MATERIAL         |             |
| P1       | RPG0838      | PACKING CASE             |             |
| P2       | RPN0412      | PAD ASS'Y                |             |
| P3       | SPSD152      | ACCESSORY BOX            |             |
| P4       | XZB60X65A01Z | PROTECTION COVER         |             |
|          |              | ACCESSORIES              |             |
| A1       | RQF1081      | INSTRUCTION MANUAL ASS'Y | (E)         |
| A1       | RQF1082      | INSTRUCTION MANUAL ASS'Y | (EB)        |
| A1       | RQF1083      | INSTRUCTION MANUAL ASS'Y | (EG)        |
| A1       | RQF1084      | INSTRUCTION MANUAL ASS'Y | (GC)        |
| A1       | RQF1085      | INSTRUCTION MANUAL ASS'Y | (GN)        |
| A1-1     | RQA0013      | WARRANTY CARD            | (E, EG, EB) |
| A1-1     | SQX7186      | WARRANTY CARD            | (GN)        |
| A1-2     | RQCBO169     | CERVICENTER LIST         |             |
| A1-3     | RFKSUX102E-K | INSTRUCTION MANUAL       | (E)         |
| A1-3     | RQT0988-B    | INSTRUCTION MANUAL       | (EB, GN)    |
| A1-3     | RQT0989-D    | INSTRUCTION MANUAL       | (EG)        |
| A1-3     | RQT0986-G    | INSTRUCTION MANUAL       | (GC)        |
| A1-4     | SPB1061      | POLYETHYLENE COVER       |             |
| A2 Δ     | SJA187       | AC CORD                  | (E, EG)     |
| A2 Δ     | SJA188       | AC CORD                  | (EB)        |
| A2 Δ     | RJA0004      | AC CORD                  | (GC)        |
| A2 Δ     | SJA173       | AC CORD                  | (GN)        |
| A3 Δ     | SJP9215      | AC PLUG ADAPTOR          | (GC)        |

## ■ PACKAGING



Pad (A) (B) (C) (D) Assembly: RPN0412