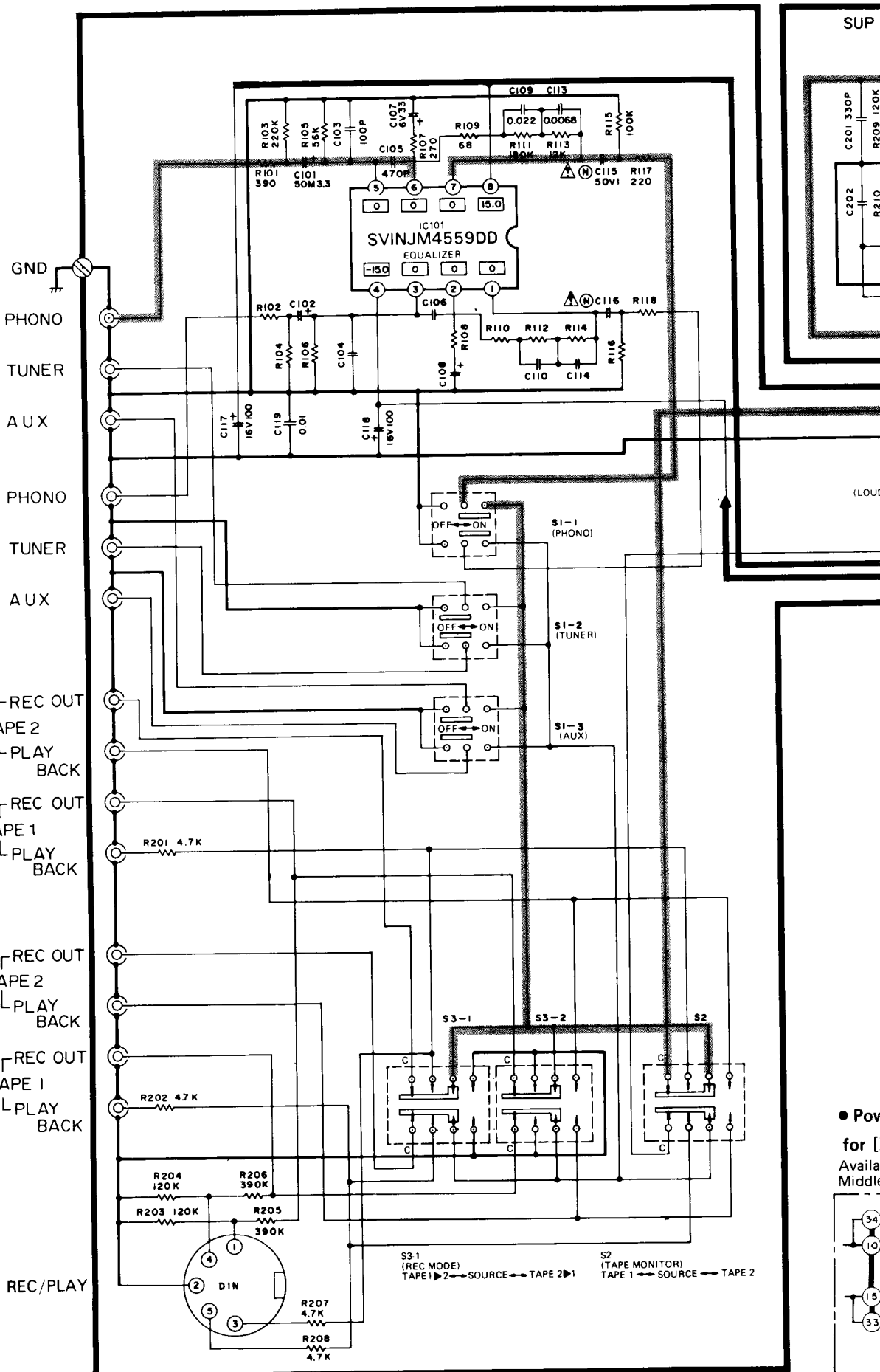
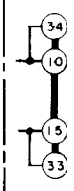


A  
B  
C  
D  
E  
F



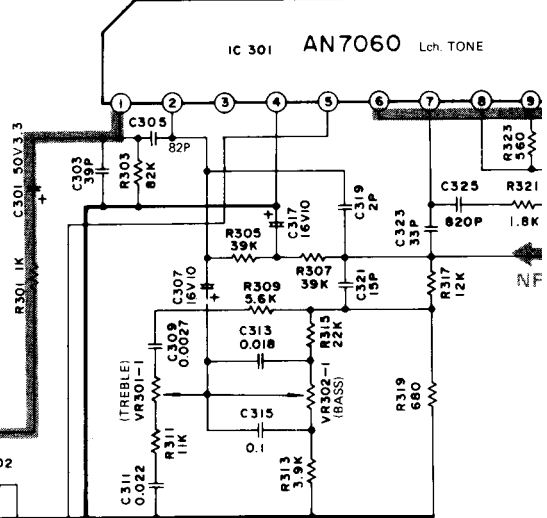
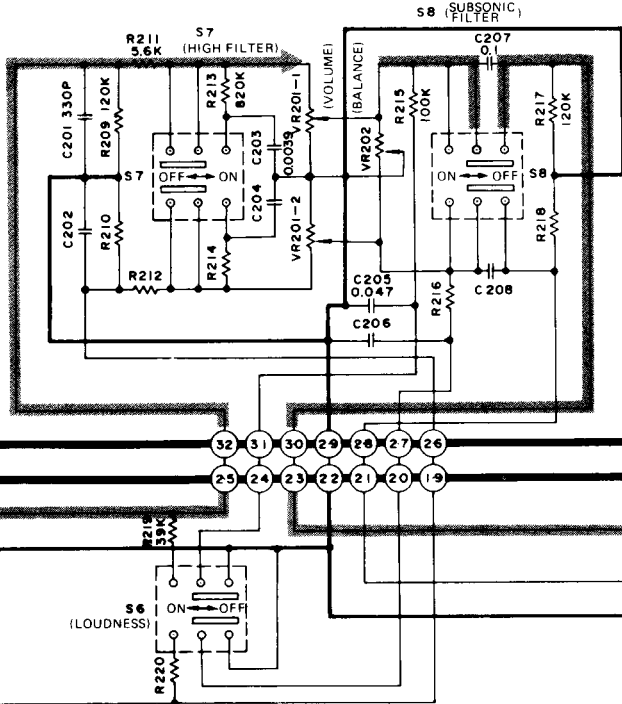
SUP

• Pov  
for [ ]  
Availa  
Middle



SUP 18970B

SUP 18970A



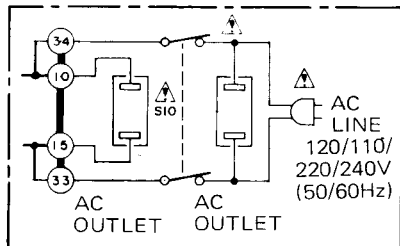
Notes:

- S1-1 ~ S1-3: Input selector switch in "phono" position.  
(phono ↔ tuner ↔ aux)
- S2: Tape monitor switch in "source" position.  
(tape 1 ↔ source ↔ tape 2)
- S3-1, S3-2: Recording mode switch in "source" position.  
(tape 1 ▶ 2 ↔ source ↔ tape 2 ▶ 1)
- S4: Remote speaker switch in "off" position.
- S5: Main speaker switch in "on" position.
- S6: Loudness switch in "off" position.
- S7: High filter switch in "off" position.
- S8: Subsonic filter switch in "off" position.
- S9: Voltage adjust switch in "240V" position.  
240V ↔ 220V ↔ 110V ↔ 120V
- S10: Power source switch in "on" position.
- Indicated voltage values are the standard values for the unit measured by the DC electronic circuit tester (high-impedance) with the chassis taken as standard. Therefore, there may exist some errors in the voltage values, depending on the internal impedance of the DC circuit tester.
- Signal lines of left channel  
Positive (⊕) voltage lines
- ⚠ indicates that only parts specified by the manufacturer be used for safety.

● Power source circuit for [XA] and [XAL]

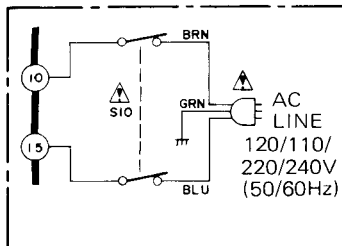
for [XA]

Available in Asia, Latin America, Middle East and Africa.

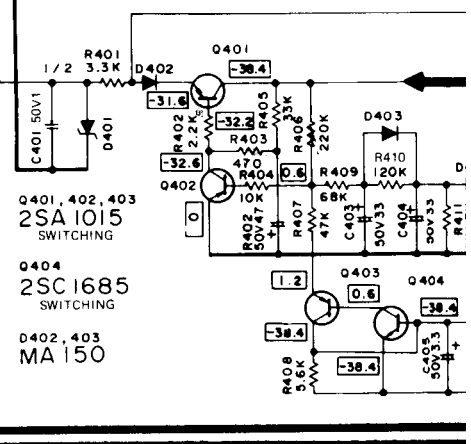
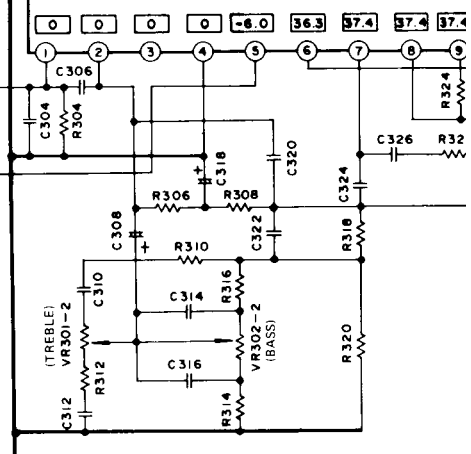


for [XAL]

Available in Australia.



IC 302 AN7060 Rch. TONE



0401, 402, 403  
2SA1015  
SWITCHING

0404  
2SC1685  
SWITCHING

D402, 403  
MA150

D401  
MA1062

D404, 405  
SVDSRIK2

D406, 407  
MA1150

Negativ

Q301, 302  
2SA1123  
PRE DRIVE

Q301, 302  
20A90

D303, 304  
2-0A99

