

Q805, 806  
2SC3114STUTA  
SWITCHING

IC811  
BA4560FT1  
BUFFER AMP

Q807, 806  
2SD2144STA  
MUTING

Q809  
DTA114ESTP  
EMPHASIS DRIVE

Q810  
2SC3311AQSTA  
STABILIZER

IC806  
PCM1700U-T1  
D/A CONVERTER

Q802, 803  
DTC114ESTP  
MUTING CONT.

IC804  
MC74HCU04FEL  
INVERTER

Q804  
DTA114ESTP  
MUTING CONT.

IC805  
P00601  
DIGITAL FILTER

IC802

IC803

IC805

IC801, 802  
HFBR-2550  
OPTICAL RECEIVER

IC803  
P0052  
DIGITAL INTERFACE RECEIVER

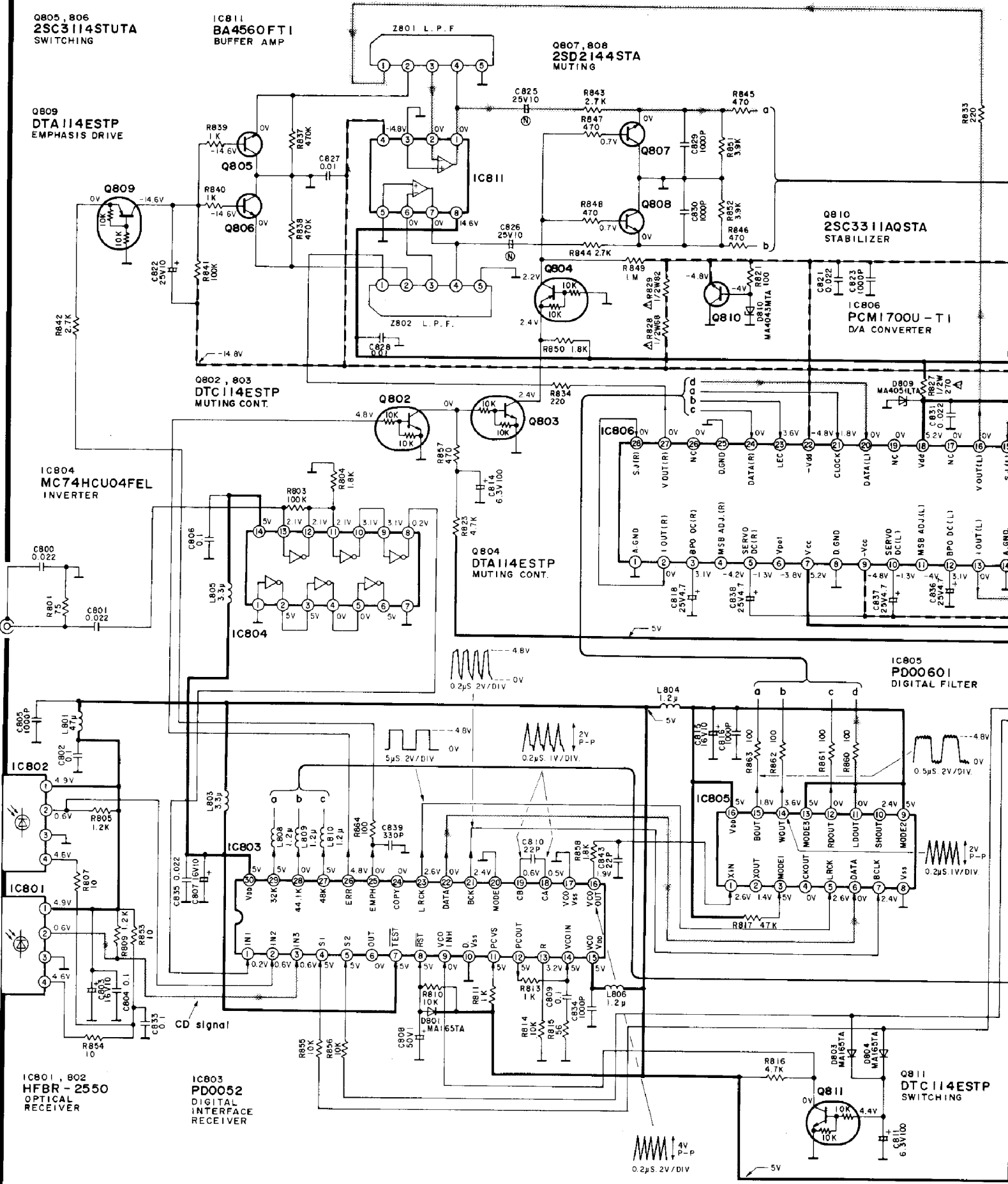
Q811  
DTC114ESTP  
SWITCHING

AUX

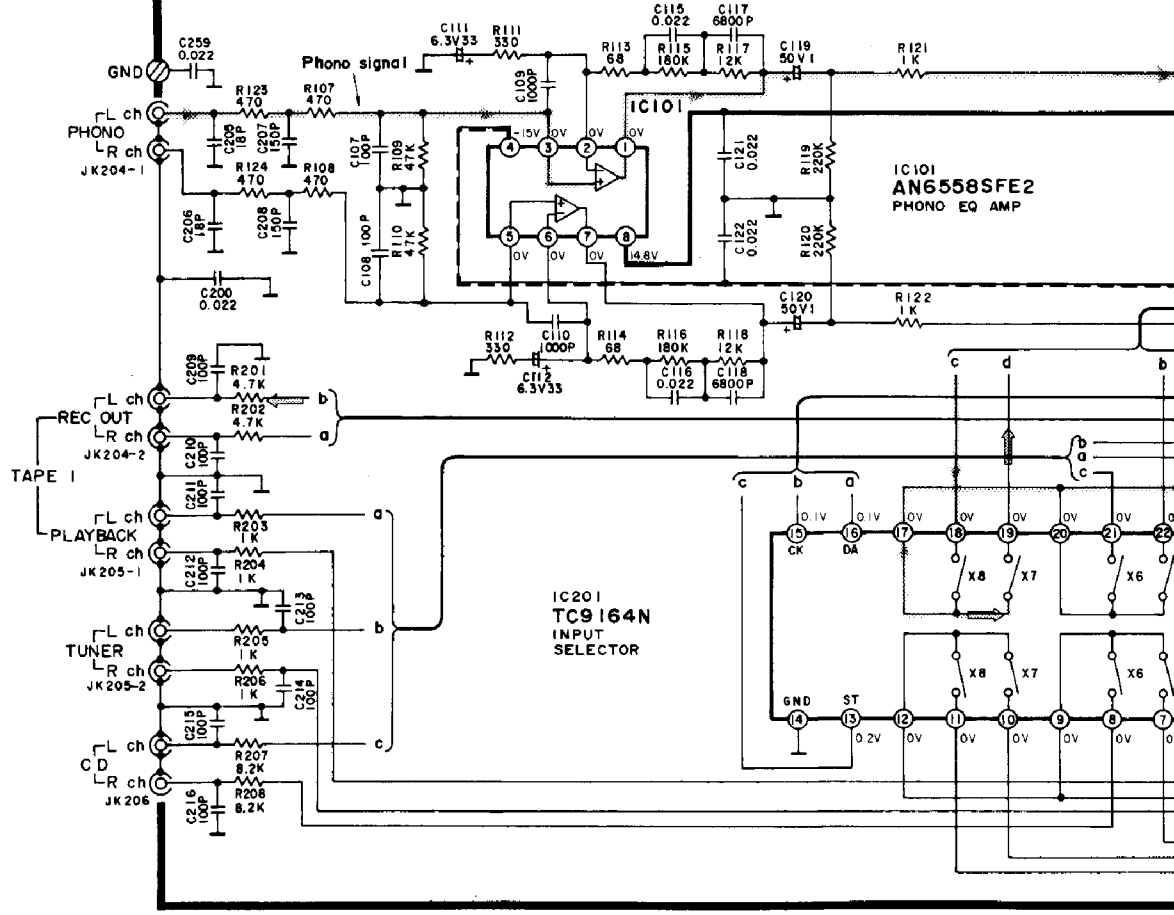
DAT

CD

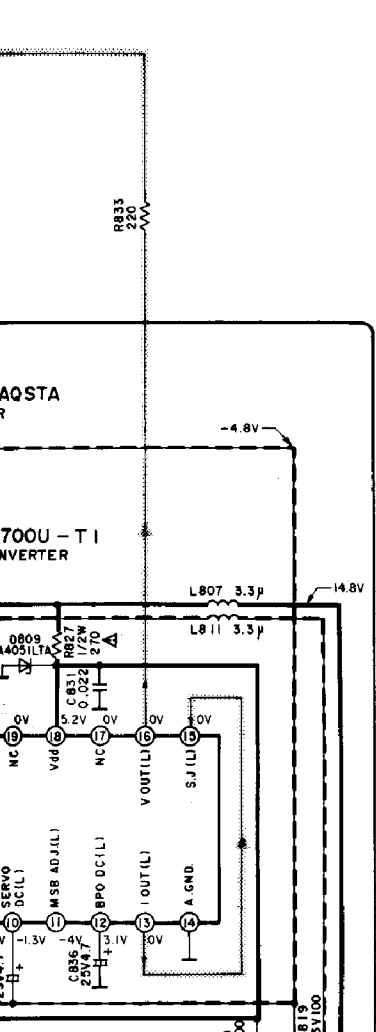
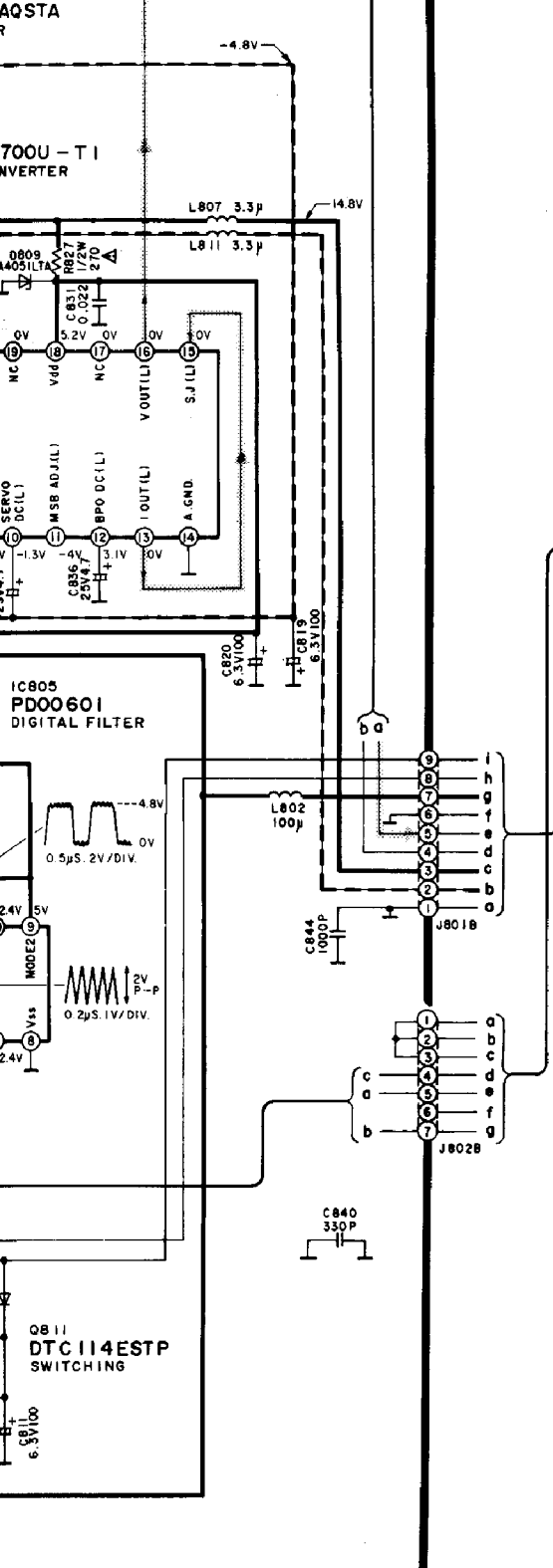
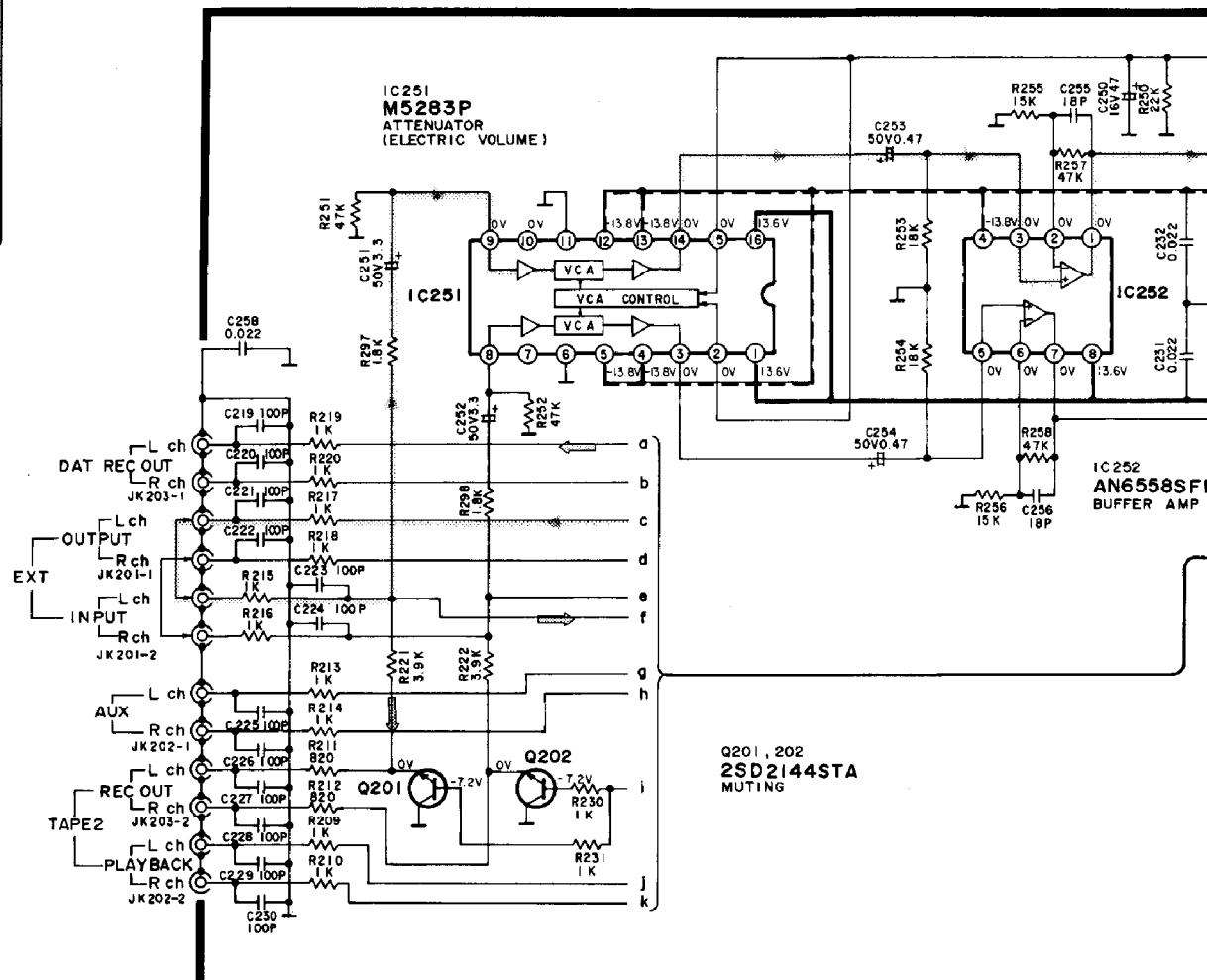
DIGITAL INPUT

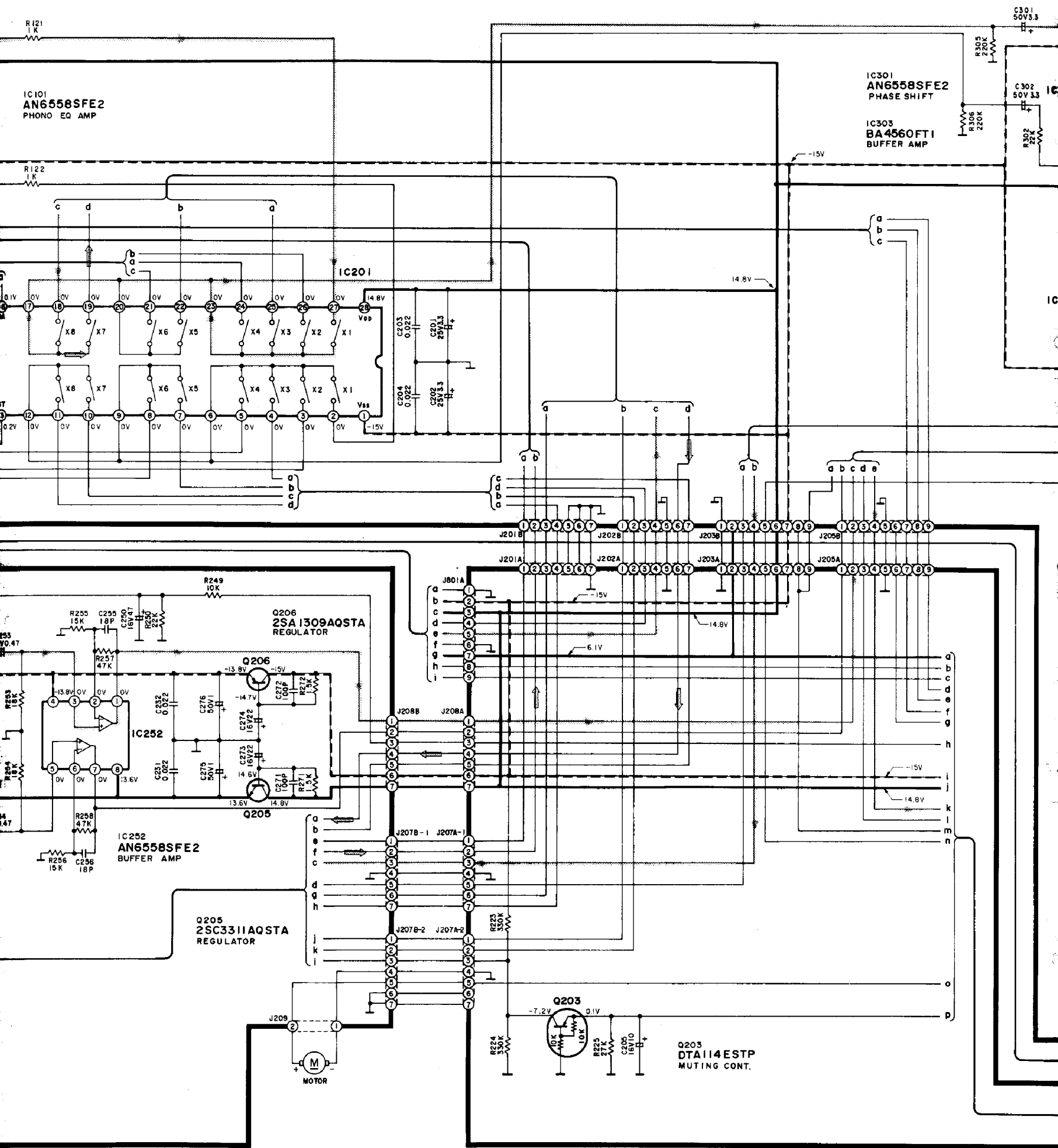


**B PHONO/TAPE/TUNER/CD TERMINAL CIRCUIT**

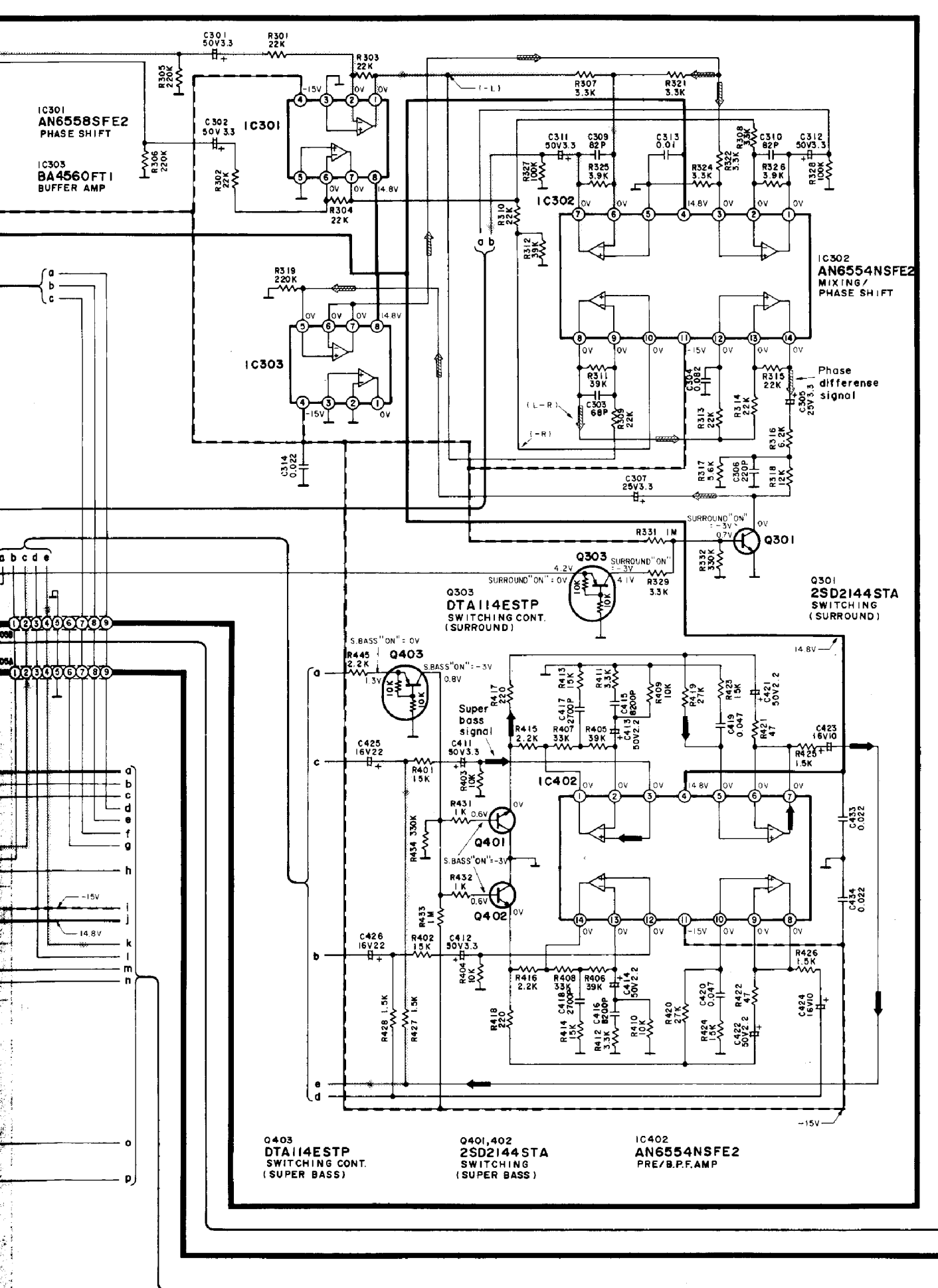


**C INPUT OUTPUT TERMINAL CIRCUIT**





**D MAIN CIRCUIT**



IC301  
AN6558SFE2  
PHASE SHIFT

IC303  
BA4560FT1  
BUFFER AMP

IC303

IC302

IC302  
AN6554NSFE2  
MIXING/  
PHASE SHIFT

Phase difference signal

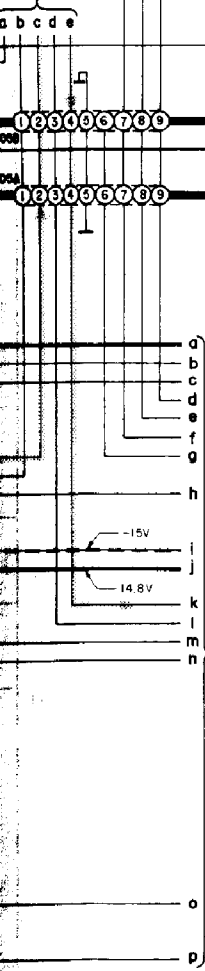
Q303  
DTA114ESTP  
SWITCHING CONT.  
(SURROUND)

Q301  
2SD2144STA  
SWITCHING  
(SURROUND)

Q403  
DTA114ESTP  
SWITCHING CONT.  
(SUPER BASS)

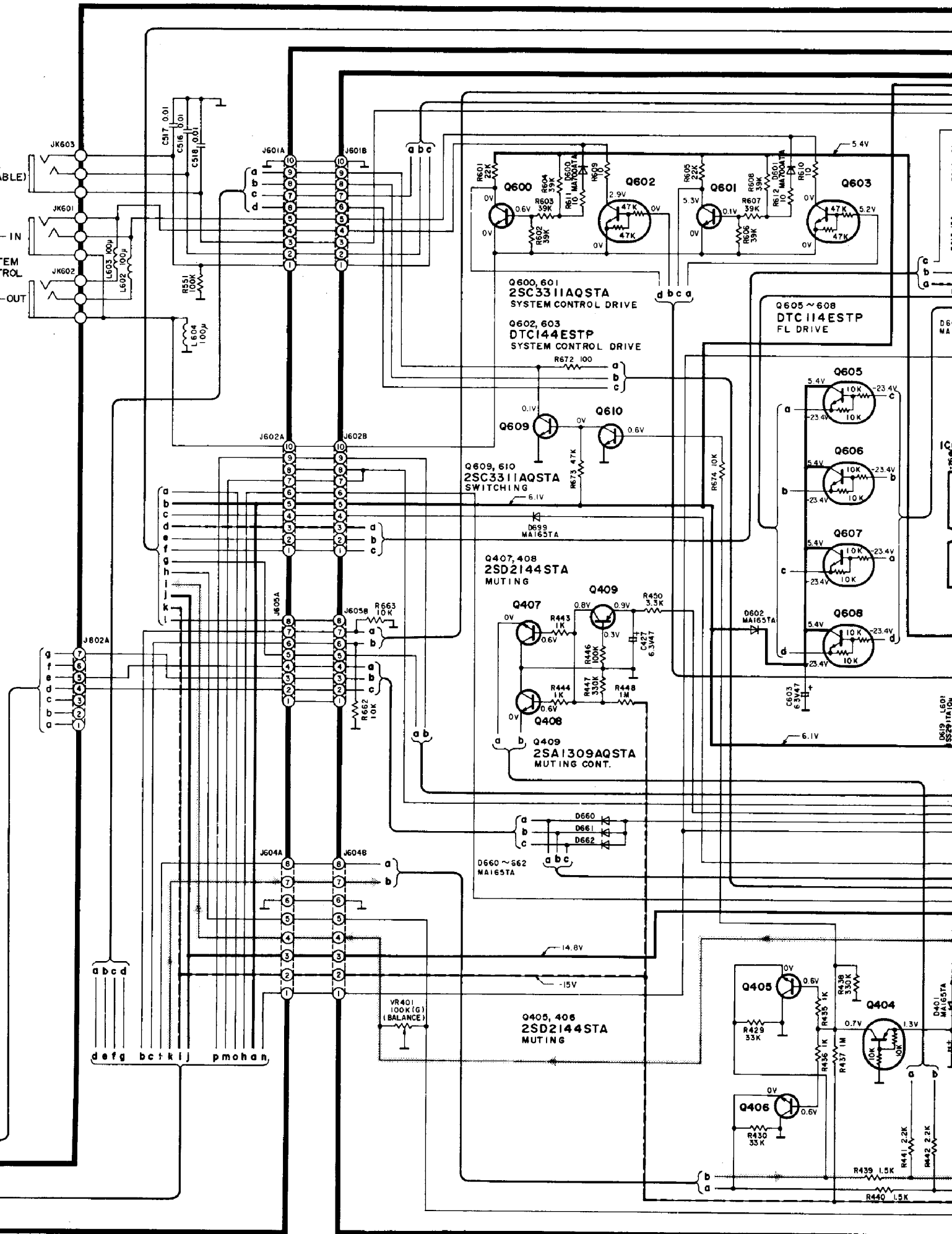
Q401,402  
2SD2144STA  
SWITCHING  
(SUPER BASS)

IC403  
AN6554NSFE2  
PRE/B.P.F.AMP



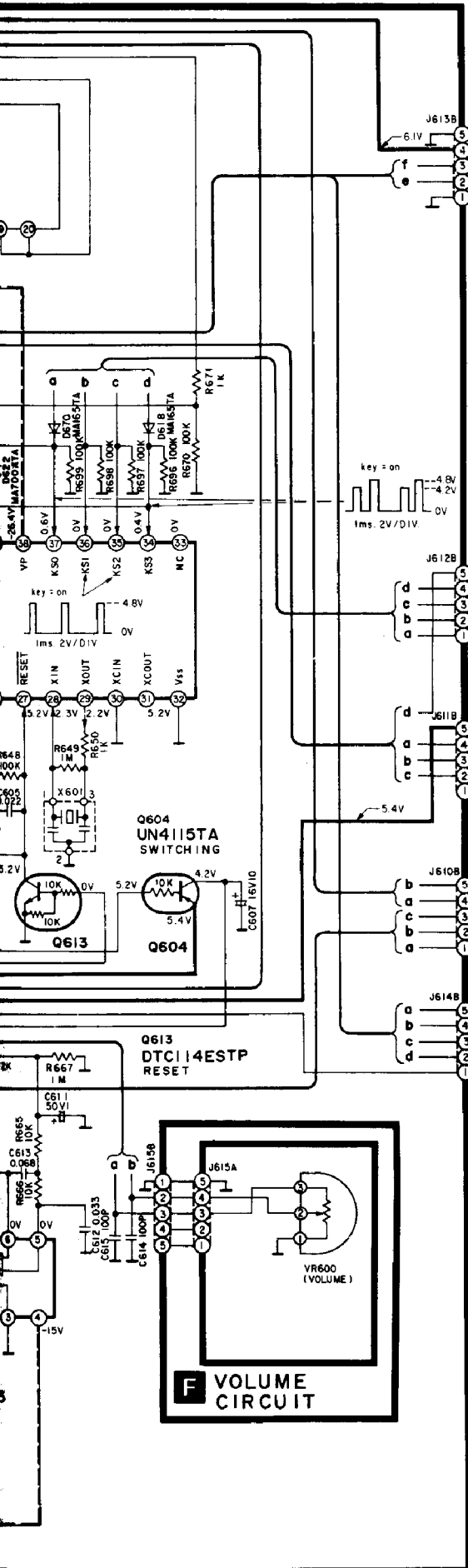
CONTROL  
(TO TURNTABLE)

SYSTEM  
CONTROL  
IN  
OUT

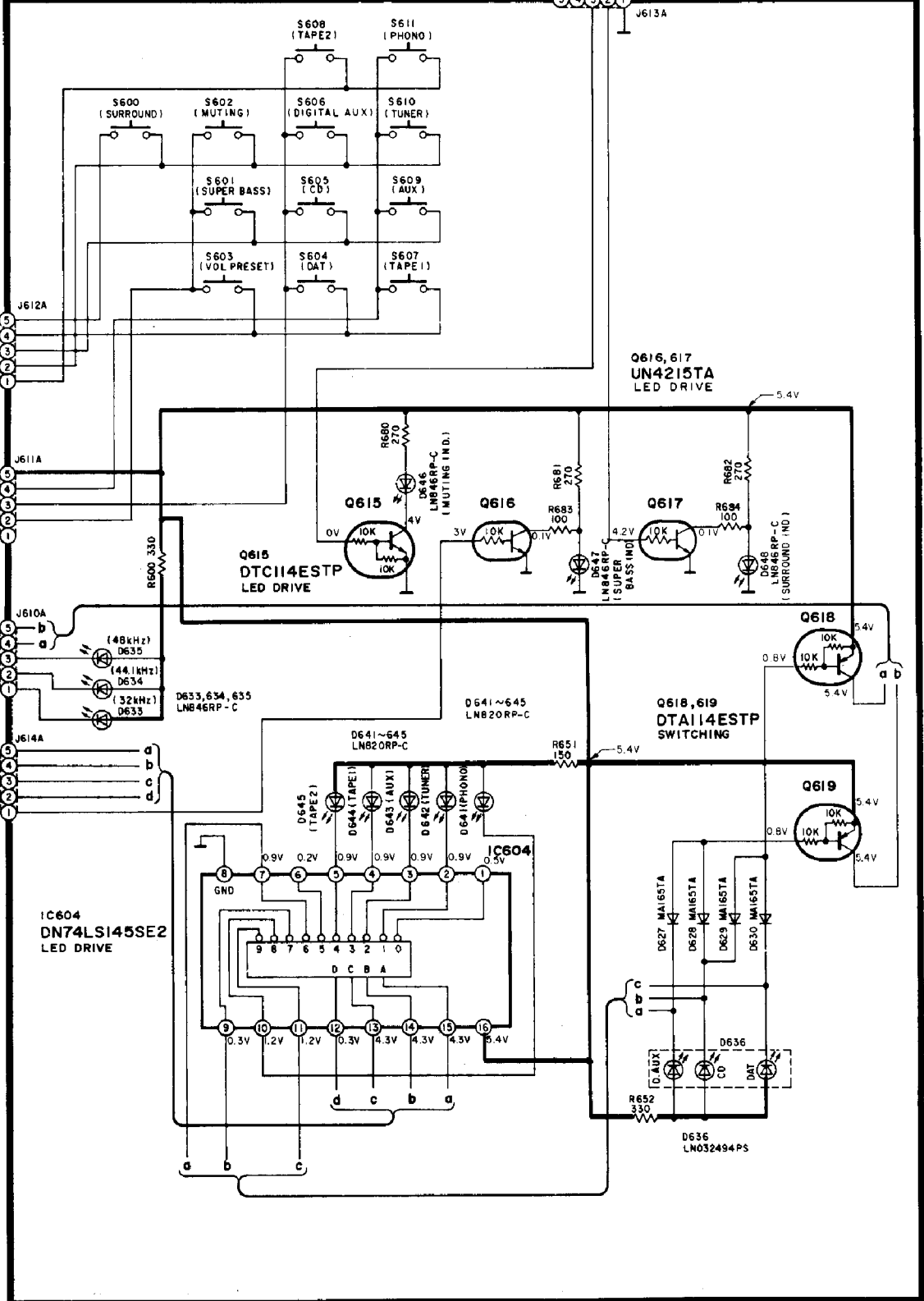


**E** FL DRIVE CIRCUIT





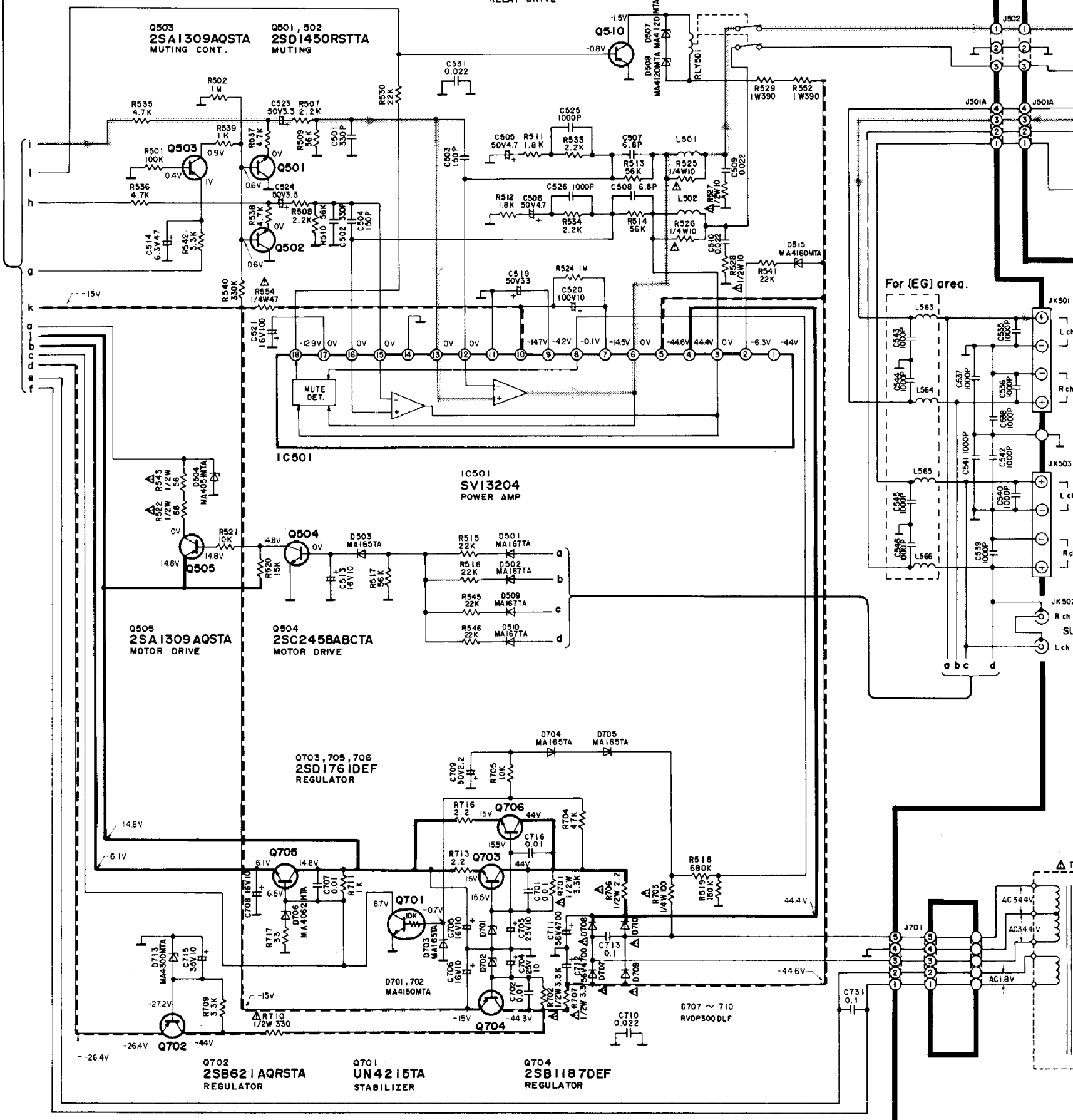
### G OPERATION SWITCH CIRCUIT



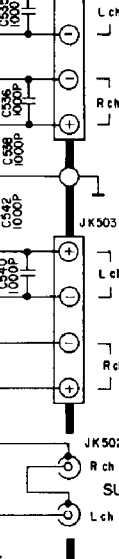
Q510  
2SA992EFPTA  
RELAY DRIVE

Q503  
2SA1309AQSTA  
MUTING CONT.

Q501, 502  
2SD1450RSTTA  
MUTING



For (EG) area.

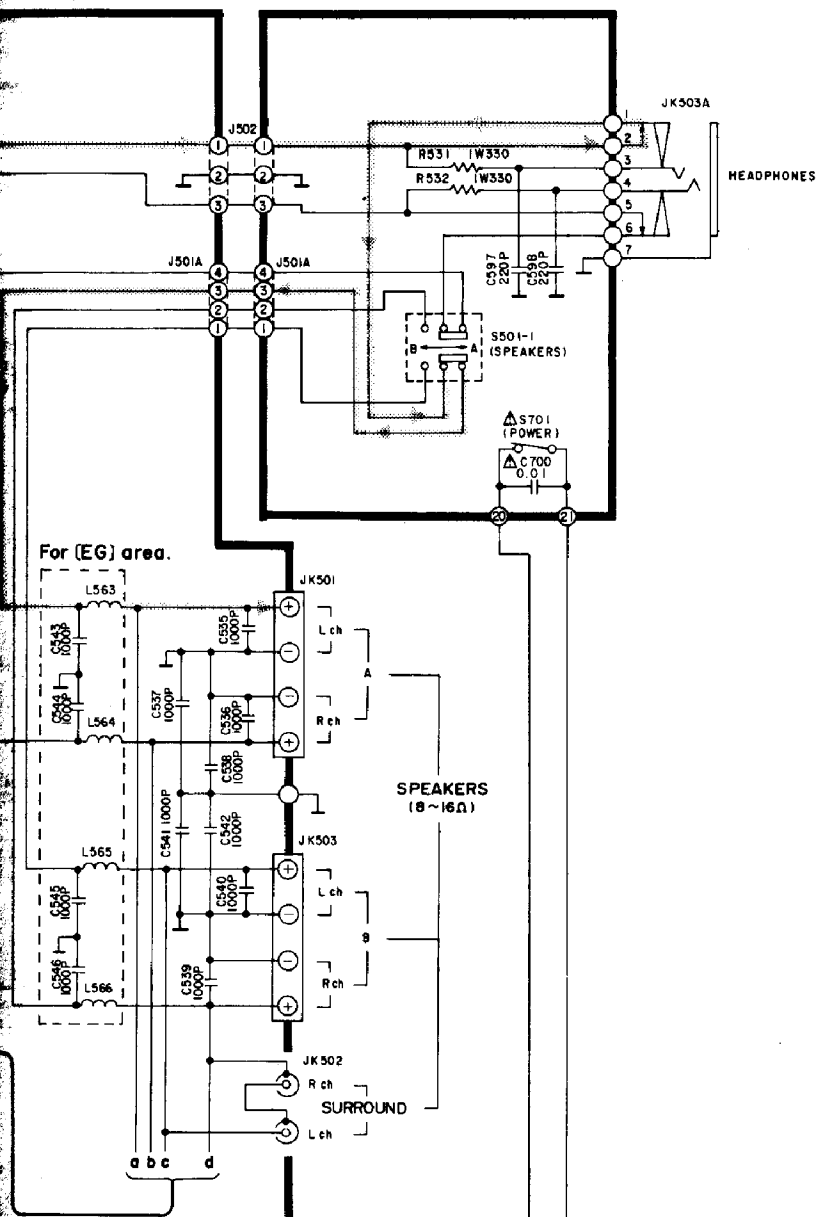


D707 ~ 710  
RVDP300DLF

△ T7



# H POWER SWITCH/HEADPHONES CIRCUIT

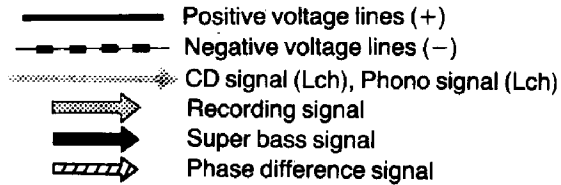


## Notes:

- S501-1 : Speaker selector switch in "A" position.
- S600 : Surround-sound switch in "OFF" position.
- S601 : Super bass switch in "OFF" position.
- S602 : Audio muting switch in "OFF" position.
- S603 : Volume preset switch in "OFF" position.
- S604~S611 : Input selector switches.

S604: DAT, S605: CD, S606: DIGITAL AUX  
 S607: TAPE1, S608: TAPE 2, S609: AUX  
 S610: TUNER, S611: PHONO

- S701 : Power switch in "ON" position.
- S702 : Voltage selector switch in "220 V" position.  
(110 V/127 V/220 V/240 V)  
For (GC) area only.



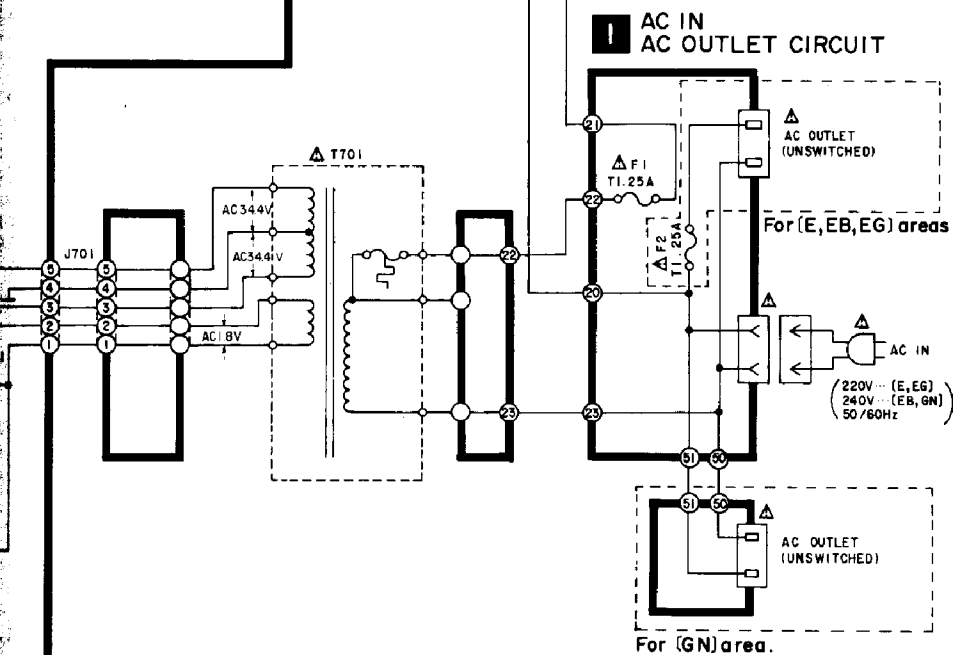
- Indicated voltage values are the standard values for the unit measured by the DC electronic circuit tester (high-impedance) with the chassis taken as standard. Therefore, there may exist some errors in the voltage values, depending on the internal impedance of the DC circuit tester.

### ● Important safety notice:

Components identified by  $\Delta$  mark have special characteristics important for safety. When replacing any of these components, use only manufacturer's specified parts.

### \*Caution!

- IC and LSI are sensitive to static electricity.
- Secondary trouble can be prevented by taking care during repair.
- \*Cover the parts boxes made of plastics with aluminum foil.
- \*Ground the soldering iron.
- \*Put a conductive mat on the work table.
- \*Do not touch the legs of IC or LSI with the fingers directly.



## Power Source For (GC) area.

