

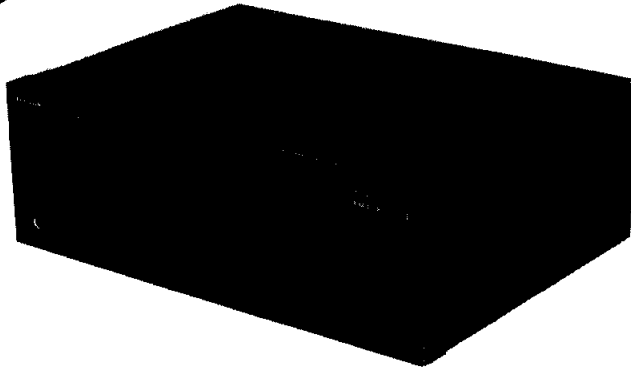
# Service Manual

Amplifier

## SU-X520D

*Simplified*

Stereo Integrated Amplifier



Colour

(K) ..... Black Type

## Areas

Suffix for Model No.	Area	Colour
(E)	Europe	(K)
(EB)	Great Britain	
(EG)	Germany and Italy	
(GN)	Oceania	

- Please file and use this manual together with the Service Manual for Model No. SU-X502, Order No. AD9103051C8.
- This service manual indicates the main differences between Original SU-X502 (E).

## LINE-UP OF COMPONENTS

System Name	Unit
<b>SC-X520D (E)</b>	ST-X902LA (E) : Tuner
	SU-X520D (E) : Amplifier
	RS-X520 (E) : Cassette Deck
	— : CD Player
	SL-J110R (E) : Turntable
	SB-CS75 (E) : Speaker (Made in PAES)
<b>SC-X520D (EB)</b>	ST-X902LA (EB) : Tuner
	SU-X520D (EB) : Amplifier
	RS-X520 (EB) : Cassette Deck
	SL-PJ38A (EB) : CD Player (Made in MBV)
	SL-J110R (EB) : Turntable
	SB-CS75 (E) : Speaker (Made in PAES)
<b>SC-X520D (EF)</b>	ST-X902LA (EF) : Tuner (Made in PFS)
	SU-X520D (E) : Amplifier
	RS-X520 (E) : Cassette Deck
	SL-PJ38A (E) : CD Player (Made in MBV)
	SL-J110R (E) : Turntable
	SB-CS75 (E) : Speaker (Made in PAES)

System Name	Unit
<b>SC-X520D (EG)</b>	ST-X902LA (EG) : Tuner
	SU-X520D (EG) : Amplifier
	RS-X520 (EG) : Cassette Deck
	SL-PJ38A (EG) : CD Player (Made in MBV)
	SL-J110R (EG) : Turntable
	SB-CS75 (E) : Speaker (Made in PAES)
<b>SC-X520D (EI)</b>	ST-X902LA (EI) : Tuner (Made in PFS)
	SU-X520D (EG) : Amplifier
	RS-X520 (EG) : Cassette Deck
	SL-PJ38A (EG) : CD Player (Made in MBV)
	SL-J110R (EG) : Turntable
	SB-CS75 (E) : Speaker (Made in PAES)
<b>SC-X520D (GN)</b>	ST-X902LA (GN) : Tuner
	SU-X520D (GN) : Amplifier
	RS-X520 (GN) : Cassette Deck
	SL-PJ38 (GN) : CD Player
	SL-J110R (GN) : Turntable
	SB-CD520 (GC) : Speaker

# Technics

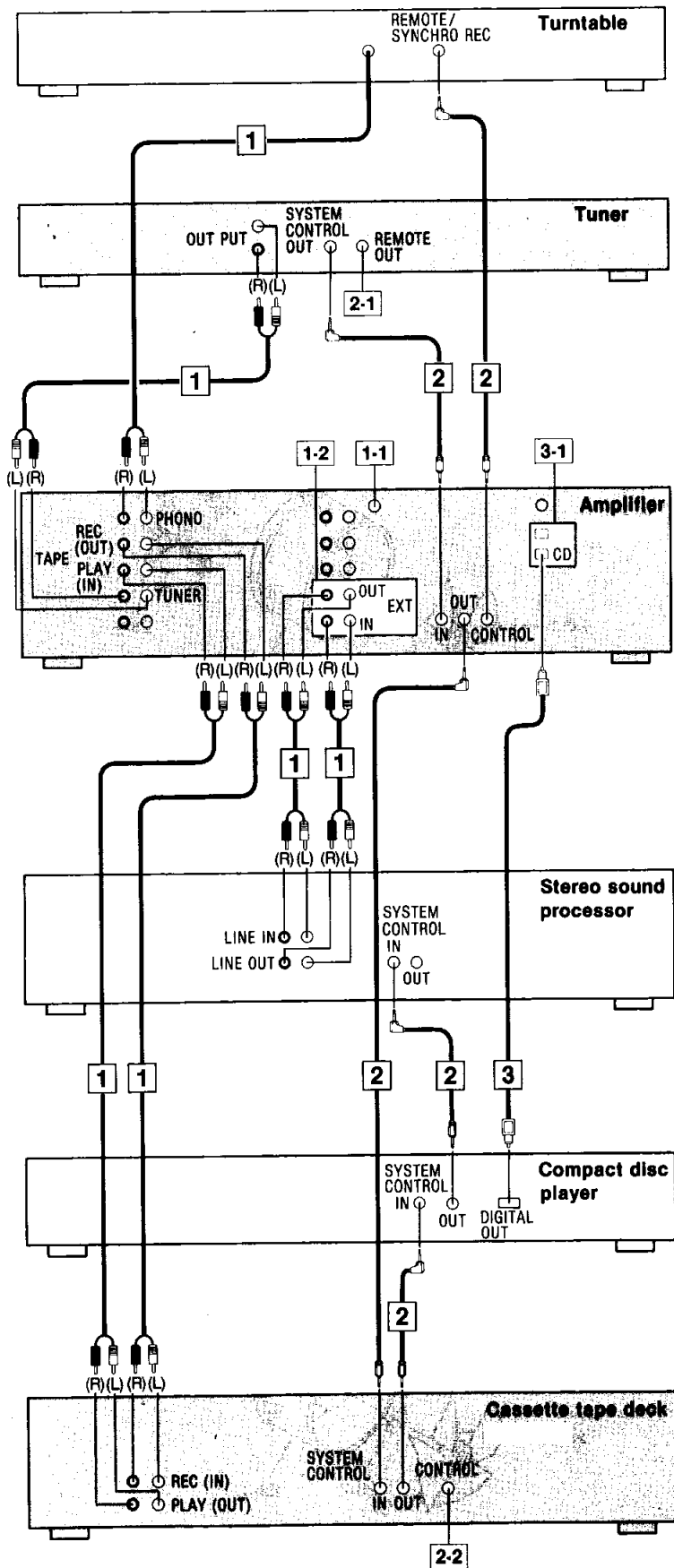
# CHANGES

## ■ CHANGE IN REPLACEMENT PARTS LIST

SU-X502 (Pages 34~39, 42 of service manual.)

Ref. No.	Part Number		Description	Remarks
	SU-X502 (E)	SU-X520D (E, EB, EG, GN)		
<b>TRANSFORMER(S)</b>				
T1	RTP1N5E010-W	SLT5N481-W	POWER TRANSFORMER	△ (EB, GN)
<b>FUSE(S)</b>				
F2	XBA2C12TB0S	—	FUSE	△ (GN)
<b>JACK(S)</b>				
JK902	SJS9333B	SJS9332B	AC OUTLET	△ (EB)
		—	AC OUTLET	△ (GN)
JK903	SJS9231-1B	SJS9234B	AC INLET	△ (GN)
<b>FUSE HOLDER(S)</b>				
FC3,4	SJT388	—	FUSE HOLDER	△ (GN)
<b>CAPACITORS</b>				
C709	ECEA1HKA2R2B	ECEA1HKN2R2B	CAPACITOR 50 V 2.2μ	
<b>CABINET PARTS</b>				
3	SJP9205-2Y	SJP9205-2T	SHORTING PIN	
5	RGR0105C-C1	RGR0105Q-C	REAR PANEL	(E) Type (A)
		RGR0105C-G2	REAR PANEL	(E) Type (B)
		RGR0105P-B	REAR PANEL	(EB) Type (A)
		RGR0105B-D2	REAR PANEL	(EB) Type (B)
		RGR0105Q-D	REAR PANEL	(EG) Type (A)
		RGR0105C-H2	REAR PANEL	(EG) Type (B)
		RGR0105R-A	REAR PANEL	(GN) Type (A)
		RGR0105E-A2	REAR PANEL	(GN) Type (B)
11	RMA0138	RMA0138-1	PLATE	
13	RGL0094-X	RGL0094-C	PANEL LIGHT	
21	RGU0474A-K	RGU0474B-K	BUTTON, TAPE	
23	SJS9231A	SJS9234A	AC INLET COVER	(GN)
24	SJS9333A	SJS9332A	AC OUTLET COVER	(EB)
		RJS1A4602	AC OUTLET COVER	(GN)
28	SYE1128-2	REM0020-1	FAN MOTOR ASS'Y	Type (A)
		SYE1128-4	FAN MOTOR ASS'Y	Type (B)
28-1	SHE232	SHE232-1	FAN	Type (A)
28-3	SHE233	RMQ0209-K	FAN CASE	Type (A)
		SHE233-1	FAN CASE	Type (B)
28-5	—	RMQ0208-K	CAP	Type (A)
		SHE234	CAP	Type (B)
28-6	—	SJT783	TERMINAL	Type (B)
28-7	—	SJS5215	CONNECTOR (2P)	Type (B)
28-8	—	RMQ0212-K	TERMINAL CAP	Type (A)
35	RFKGUX502E-K	RFKGUX520DEK	FRONT PANEL ASS'Y	
40	—	RJS1A7402	CONNECTOR (2P)	Type (A)
41	—	XTBS3+8JFZ1	SCREW	Type (A)
<b>PACKING MATERIALS</b>				
P1	RPG0840	RPG1206	PACKING CASE	
P3	SPSD152	—	ACCESSORIES BOX	
<b>ACCESSORIES</b>				
A1	RQF1096	—	INSTRUCTIONS MANUAL ASS'Y	
A1-1	RQA0013	RQX7433ZA	WARRANTY CARD	(GN)
A1-3	RFKSUX502E-K	RFKSCX520DEK	INSTRUCTIONS MANUAL	(E)
		RQT1494-B	INSTRUCTIONS MANUAL	(EB, GN)
		RQT1493-D	INSTRUCTIONS MANUAL	(EG)
A2	SJA187	—	AC POWER SUPPLY CORD	△

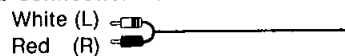
# ■ CONNECTIONS OF EACH UNIT



Connection diagrams shown are for connections to a Technics hi-fi component system. Make connections in the numbered sequential order.

- 1 Connect the stereo connection cables** (included with the turntable, tuner, stereo sound processor, and cassette tape deck).

**Stereo connection cable**



**1-1**

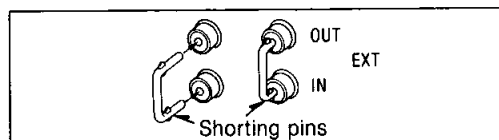
**"GND" terminal of the amplifier**

This terminal is for use with a turntable which has a ground wire.

**1-2**

**"EXT" terminals of the amplifier**

When these terminals are not in use, be sure to insert the "shorting" pins (included).



- 2 Connect the L-type cable** (included with the turntable, tuner, stereo sound processor, compact disc player, and cassette tape deck).

**2-1**

**"REMOTE OUT" terminal**

This terminal is used to connect to the "REMOTE IN" terminal of the Technics multi-compact disc player (not included).

**2-2**

**"CONTROL" terminal**

Make a connection from this terminal to the "CONTROL" terminal for a cassette deck on a Technics multi compact disc player.

(For detailed information, refer to the operating instructions of the Technics multi compact disc player.)

- 3 Connect the optical-fiber cable** (included with the compact disc player).

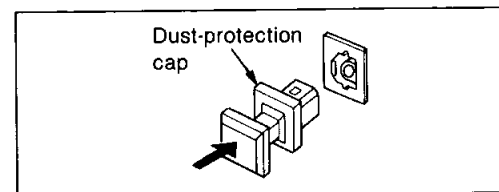
**3-1**

**"DIGITAL IN" (CD, DAT) terminals of the amplifier**

These terminals are protected by the dust-protection caps to avoid damage by the dust, etc.

Remove the caps only when the "DIGITAL IN" terminals are to be used.

When these terminals are not being used, attach the caps as shown in the illustration below.



- Connect the AC power supply cords and AC outlet**

(See page 3 of service manual RS-X520, Order No. AD9203068A8.)

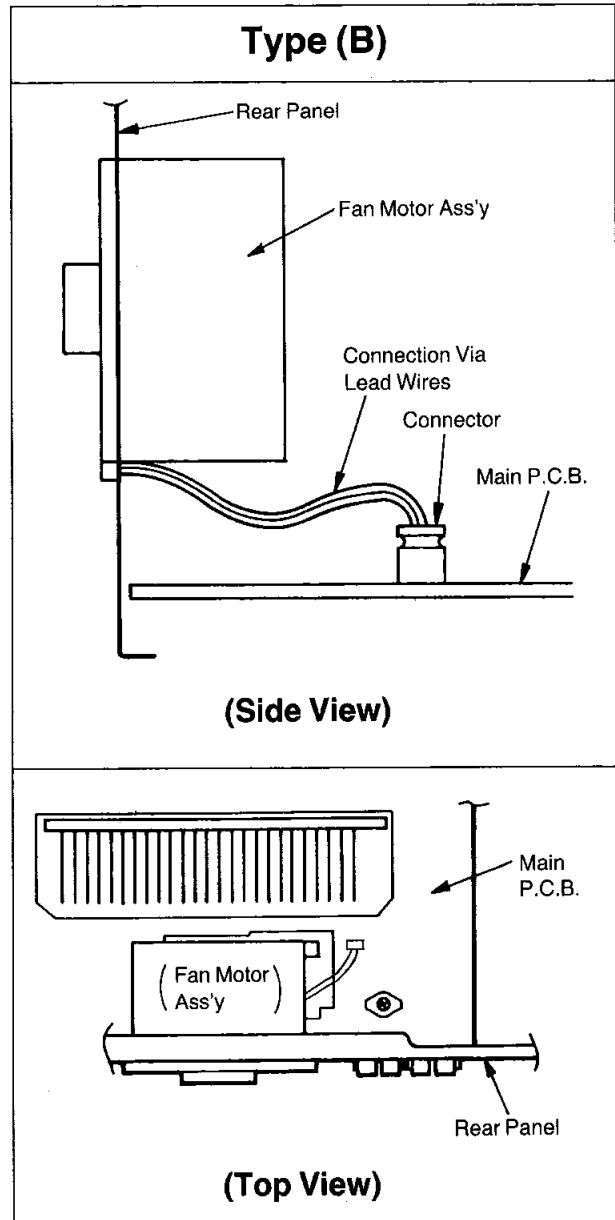
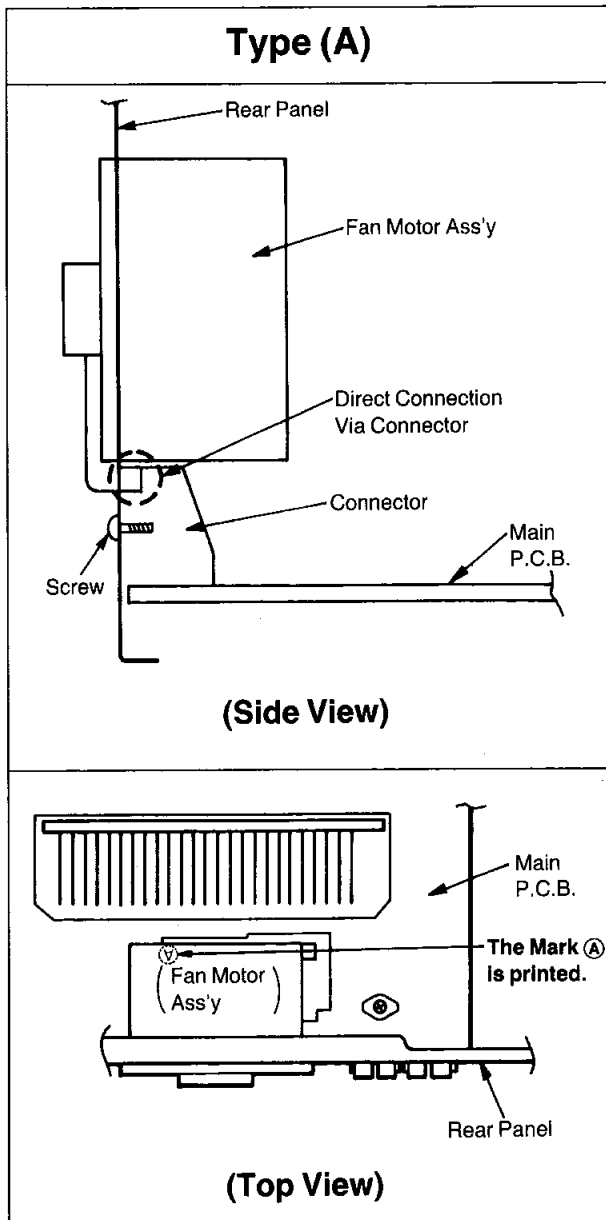
• There are two types of the fan motor, i.e: Types A and B.

Type A... The fan motor terminal is a connector type.

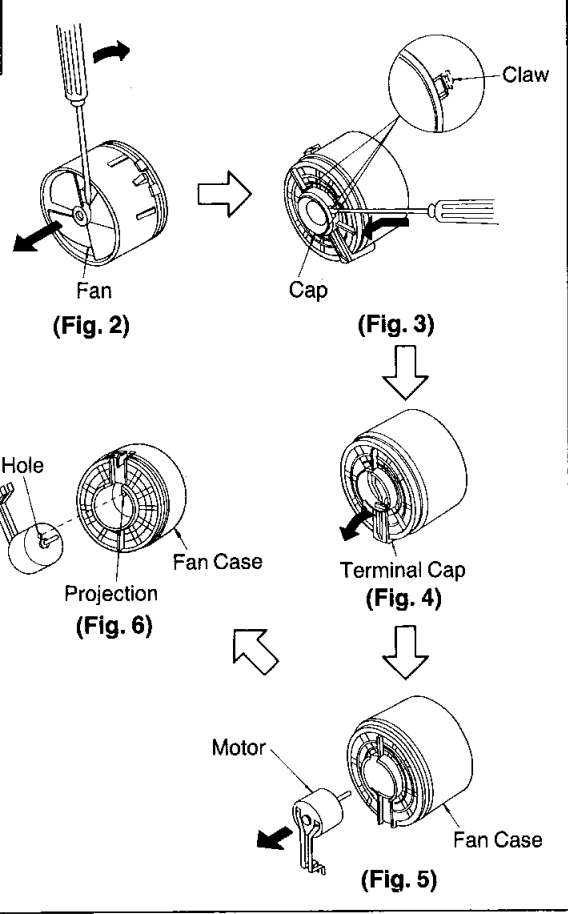
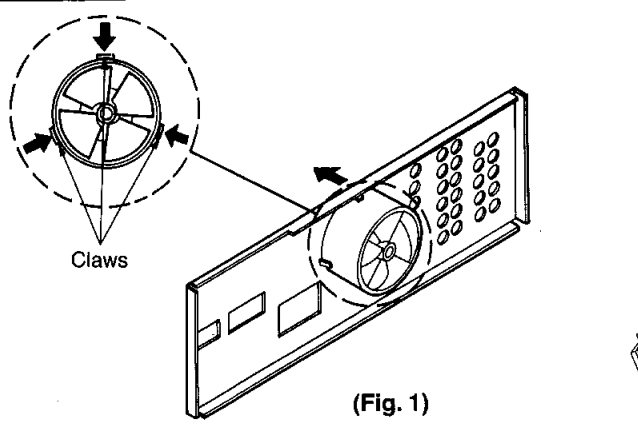
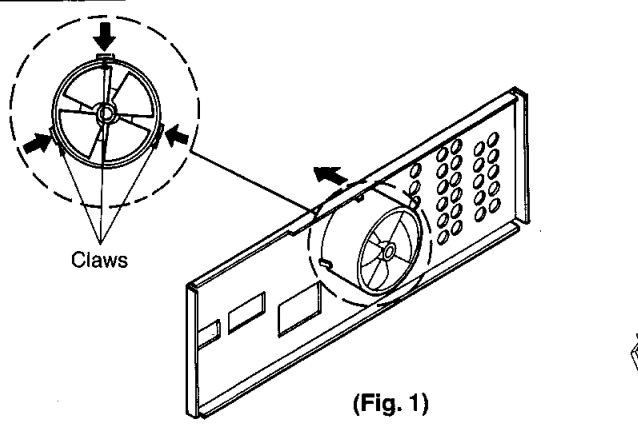
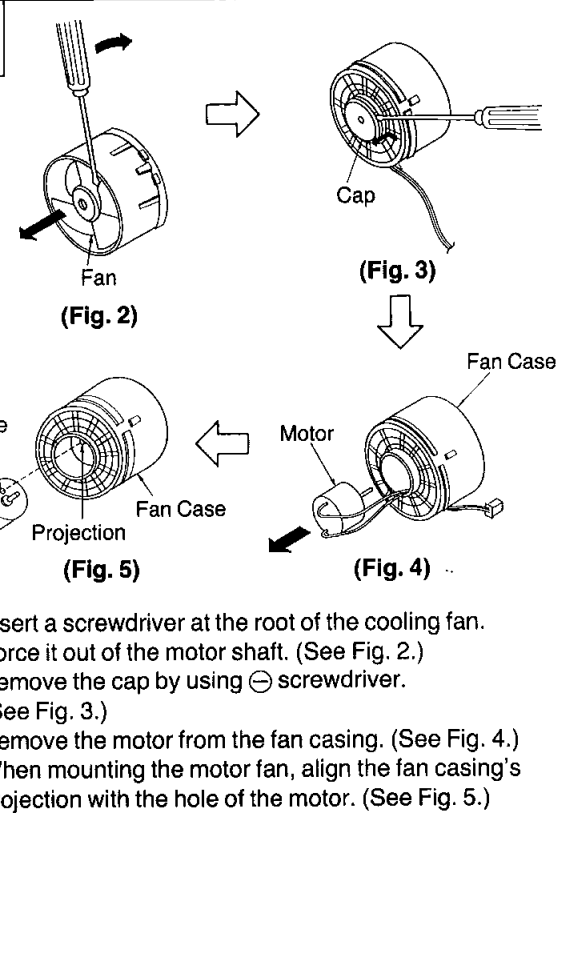
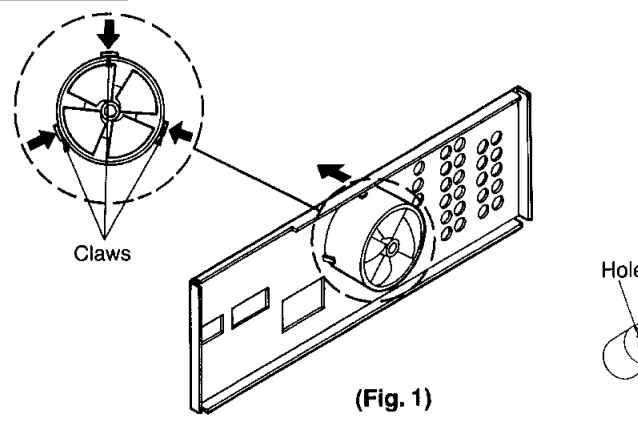
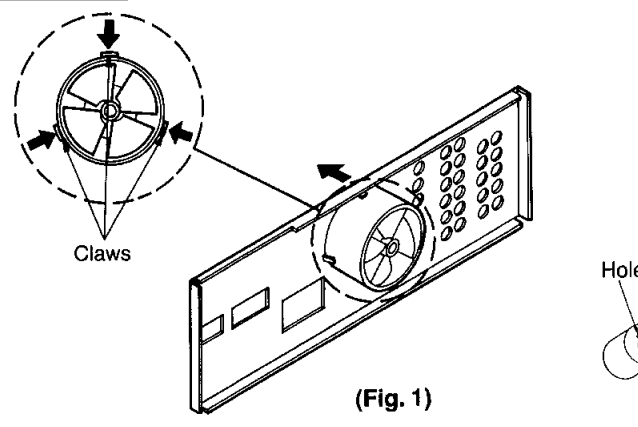
The "mark (A)" is printed on the main P.C.B. of type A. (Refer to the diagram below.)

Type B... The fan motor terminal is a lead wire type.

Refer to the diagram below to distinguish type A from type B.

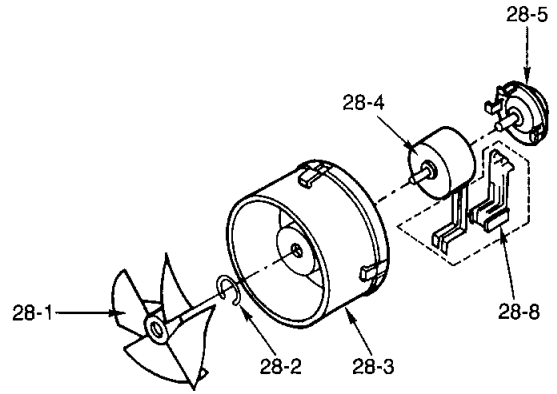
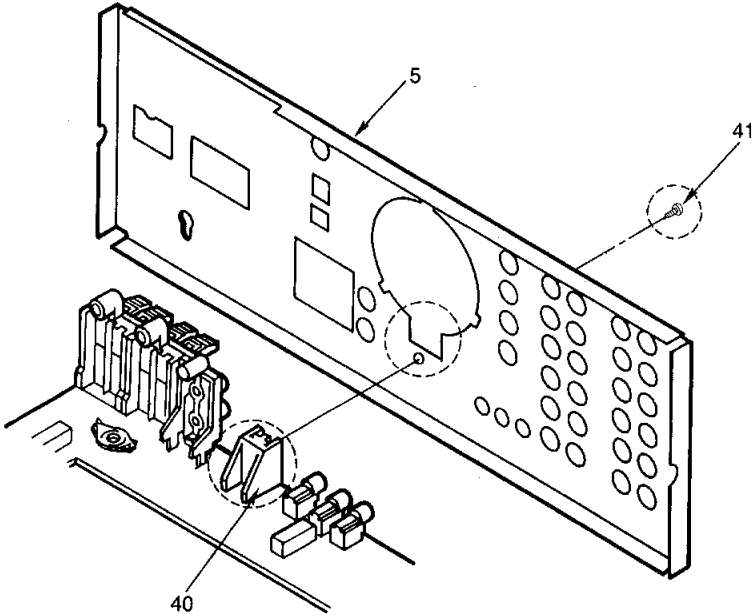


## ■ DISASSEMBLY INSTRUCTIONS

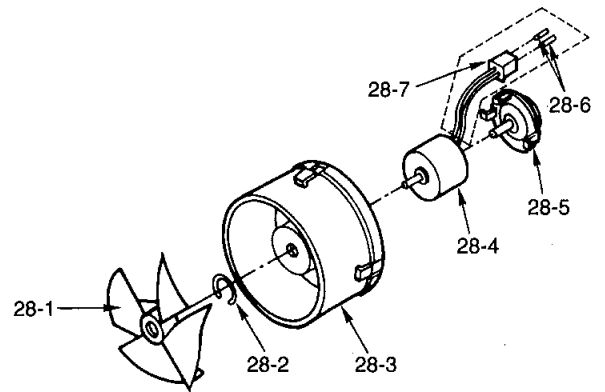
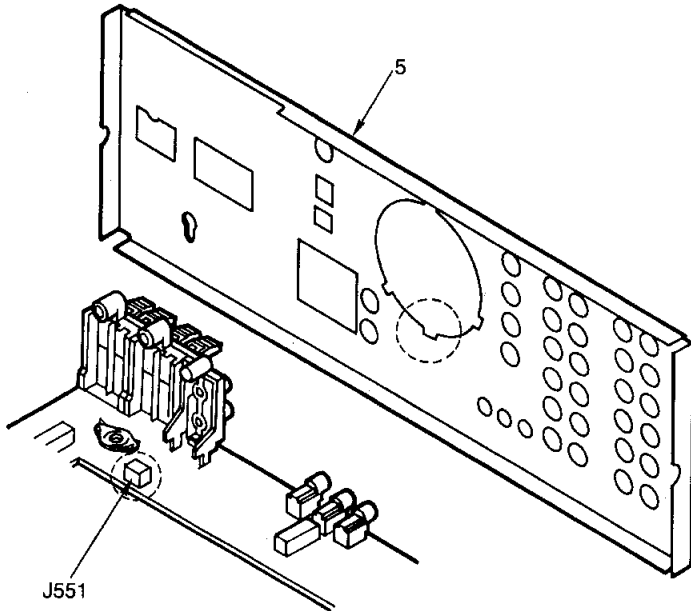
<p>Ref. No. 14</p>	<p>Removal of the Fan Motor Ass'y (Type A)</p>	 <p>Claw</p> <p>Fan</p> <p>Cap</p> <p>(Fig. 2)</p> <p>(Fig. 3)</p> <p>Hole</p> <p>Projection</p> <p>Fan Case</p> <p>Terminal Cap</p> <p>(Fig. 4)</p> <p>Motor</p> <p>Fan Case</p> <p>(Fig. 5)</p> <p>(Fig. 6)</p>
<p>Procedure 1→8→14</p>	 <p>Claws</p> <p>(Fig. 1)</p> <ol style="list-style-type: none"> <li>1. Release the 3 claws. (See Fig. 1.)</li> <li>2. Insert a screwdriver at the root of the fan. Force it out of the motor shaft. (See Fig. 2.)</li> <li>3. Remove the cap by using ⊖ screwdriver. (See Fig. 3.)</li> <li>4. Remove the terminal cap in the direction of arrow. (See Fig. 4.)</li> <li>5. Remove the motor from the fan case. (See Fig. 5.)</li> <li>6. When mounting the motor, align the fan casing's projection with the hole of the motor. (See Fig. 6.)</li> </ol>	 <p>Claws</p> <p>(Fig. 1)</p> <ol style="list-style-type: none"> <li>1. Remove the 1 connector (J551).</li> <li>2. Release the 3 claws. (See Fig. 1.)</li> </ol>
<p>Ref. No. 14</p>	<p>Removal of the Fan Motor Ass'y (Type B)</p>	 <p>Fan</p> <p>Cap</p> <p>(Fig. 2)</p> <p>(Fig. 3)</p> <p>Hole</p> <p>Projection</p> <p>Fan Case</p> <p>Motor</p> <p>Fan Case</p> <p>(Fig. 4)</p> <p>(Fig. 5)</p>
<p>Procedure 1→8→14</p>	 <p>Claws</p> <p>(Fig. 1)</p> <ol style="list-style-type: none"> <li>1. Remove the 1 connector (J551).</li> <li>2. Release the 3 claws. (See Fig. 1.)</li> </ol>	 <p>Claws</p> <p>(Fig. 1)</p> <ol style="list-style-type: none"> <li>3. Insert a screwdriver at the root of the cooling fan. Force it out of the motor shaft. (See Fig. 2.)</li> <li>4. Remove the cap by using ⊖ screwdriver. (See Fig. 3.)</li> <li>5. Remove the motor from the fan casing. (See Fig. 4.)</li> <li>6. When mounting the motor fan, align the fan casing's projection with the hole of the motor. (See Fig. 5.)</li> </ol>

# ■ CABINET PARTS LOCATION

(Type A)



(Type B)



**Note:** The different parts between type A and type B are enclosed by the dot lines in the above diagrams.