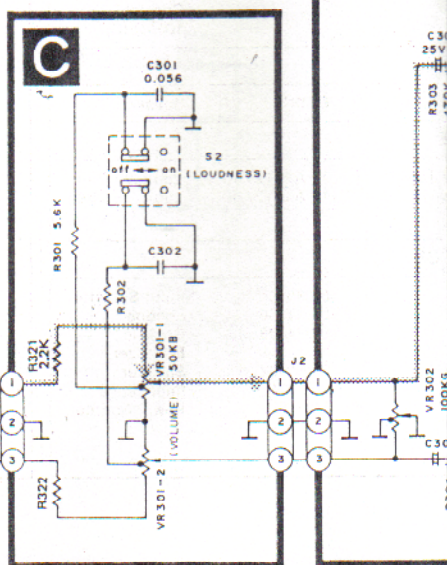
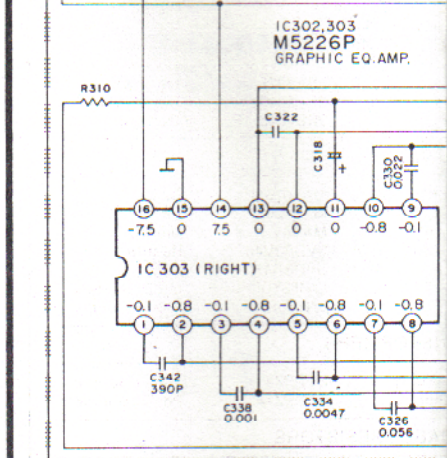
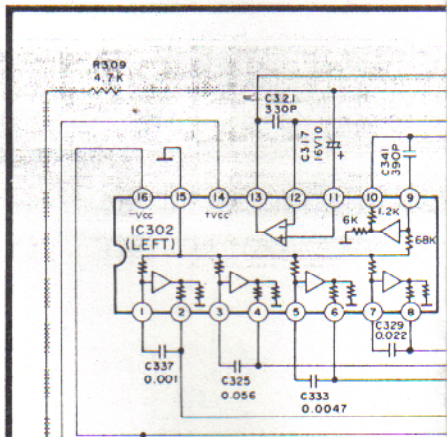
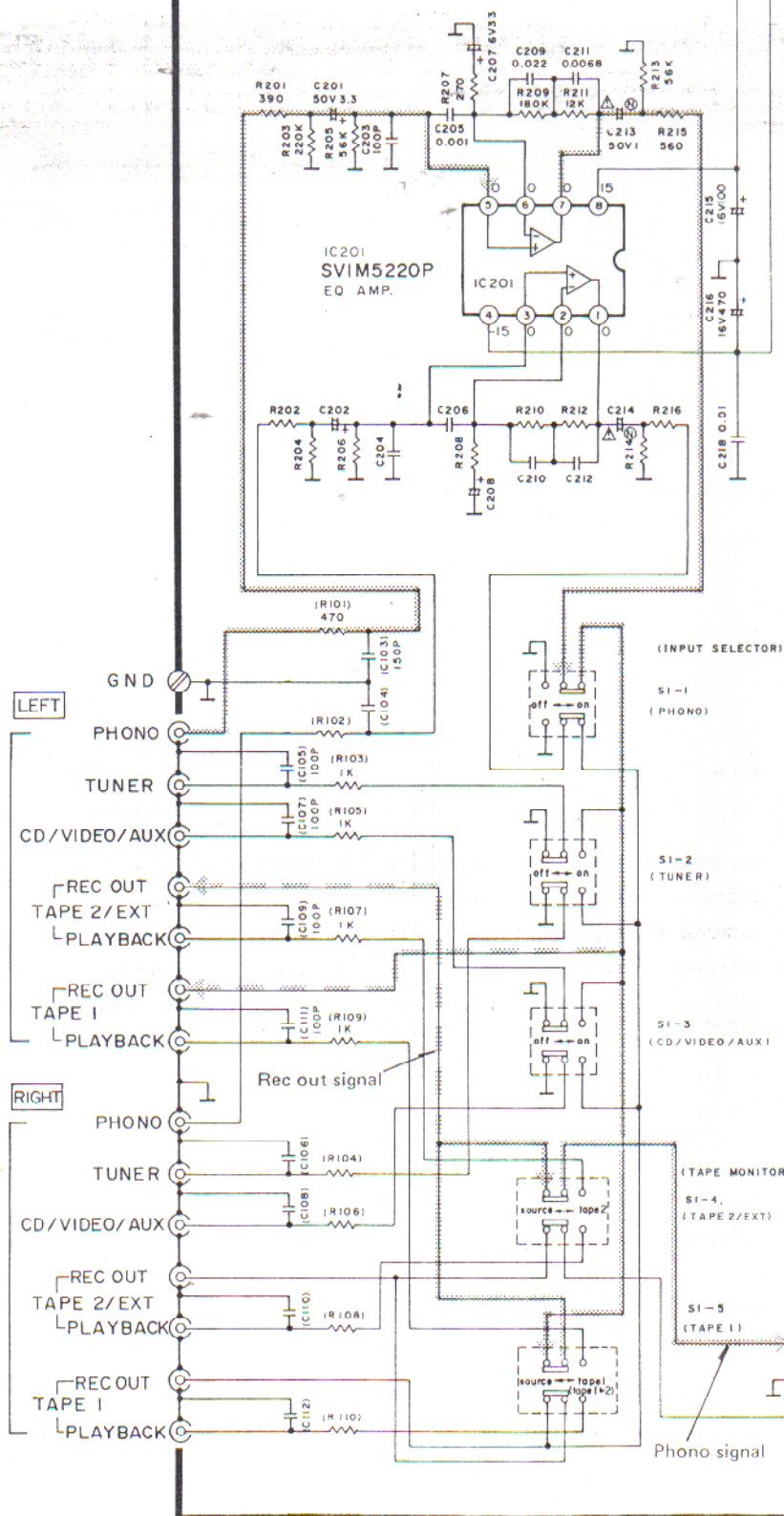


**SCHEMATIC DIAGRAM** (This schematic diagram may be modified at any time with the development)

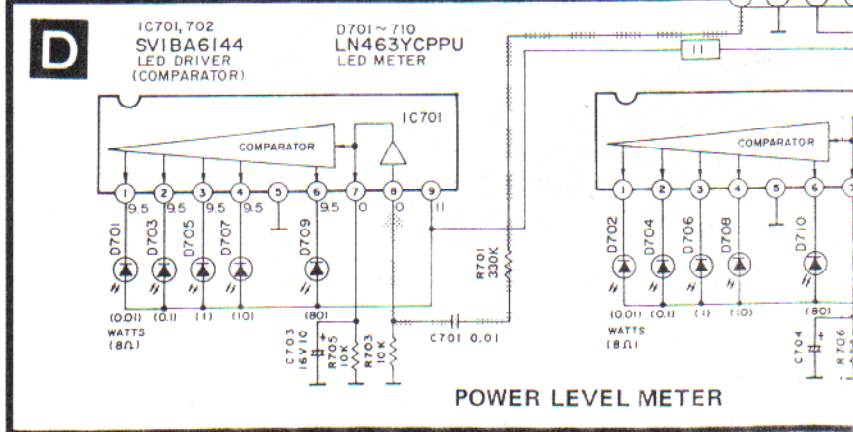
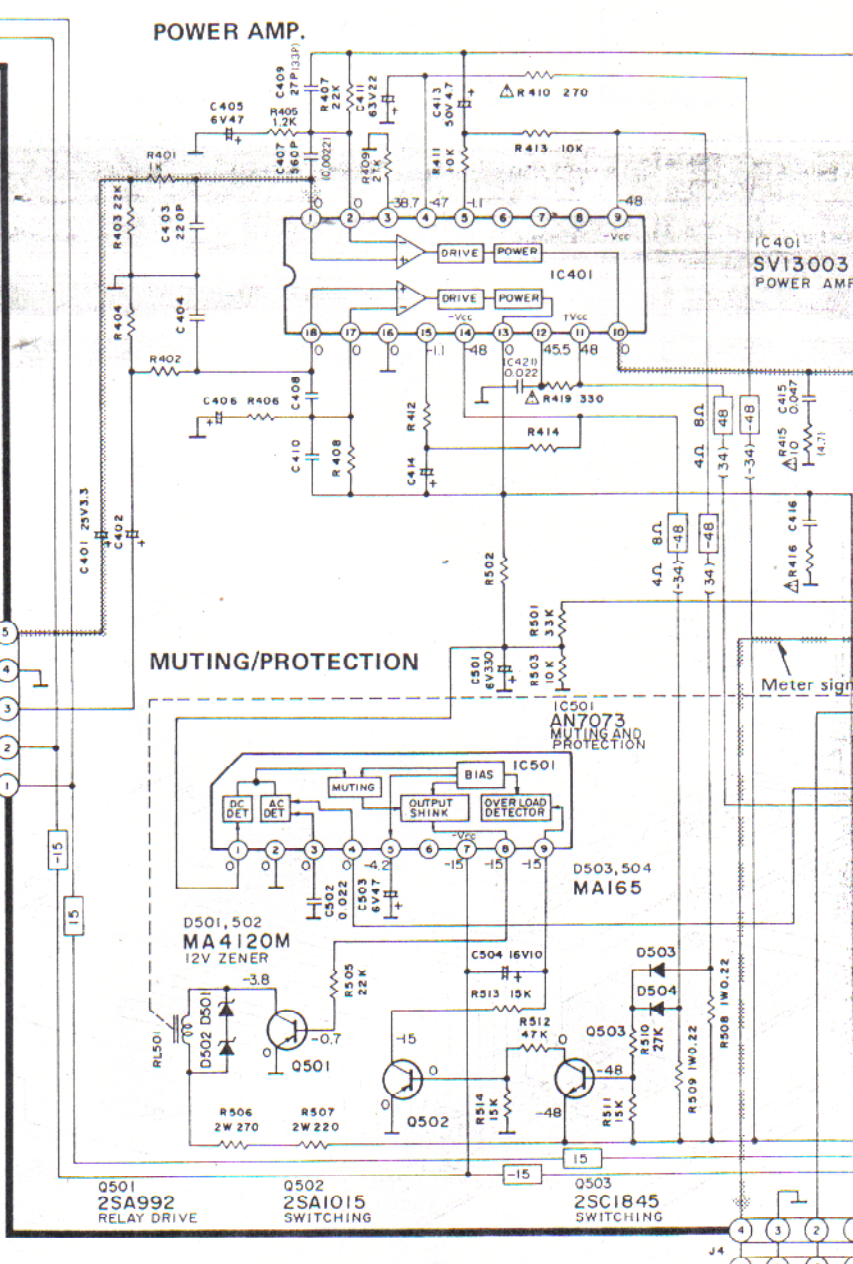
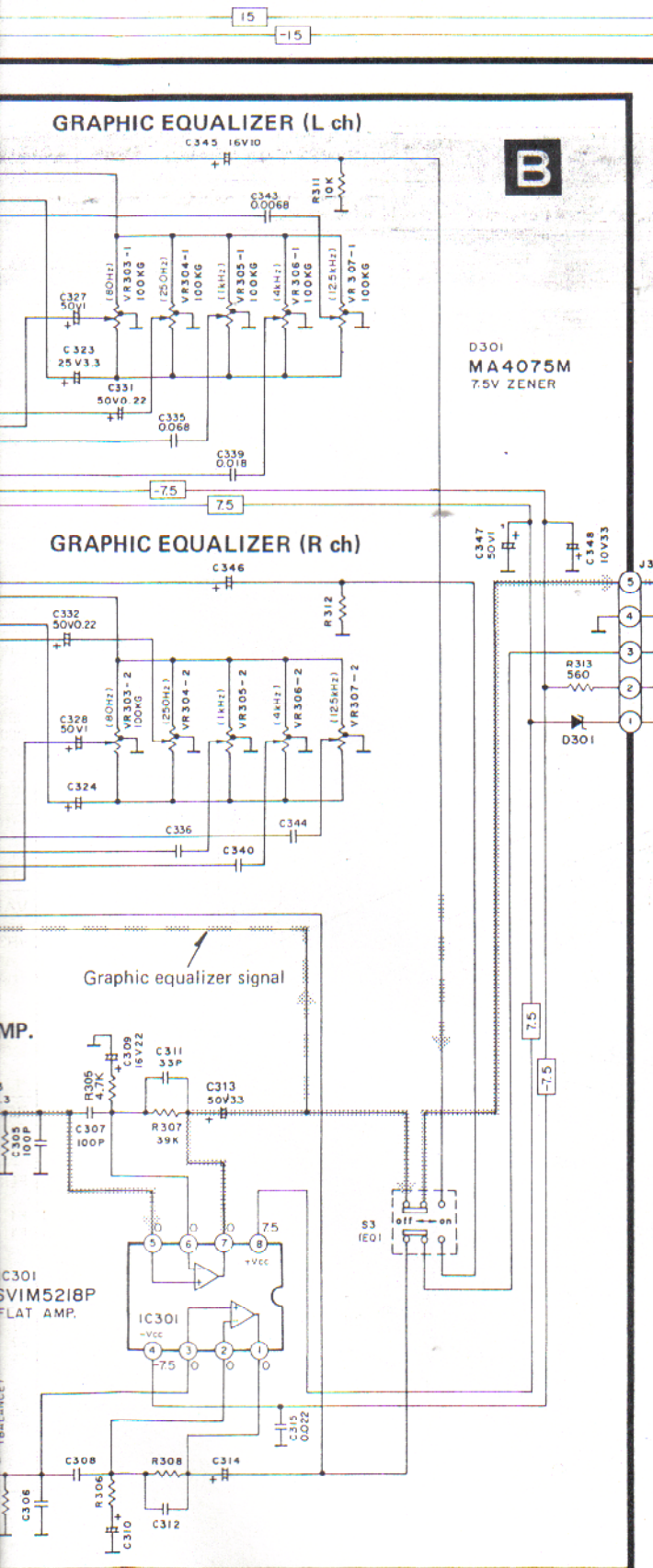
A  
B  
C  
D  
E  
F

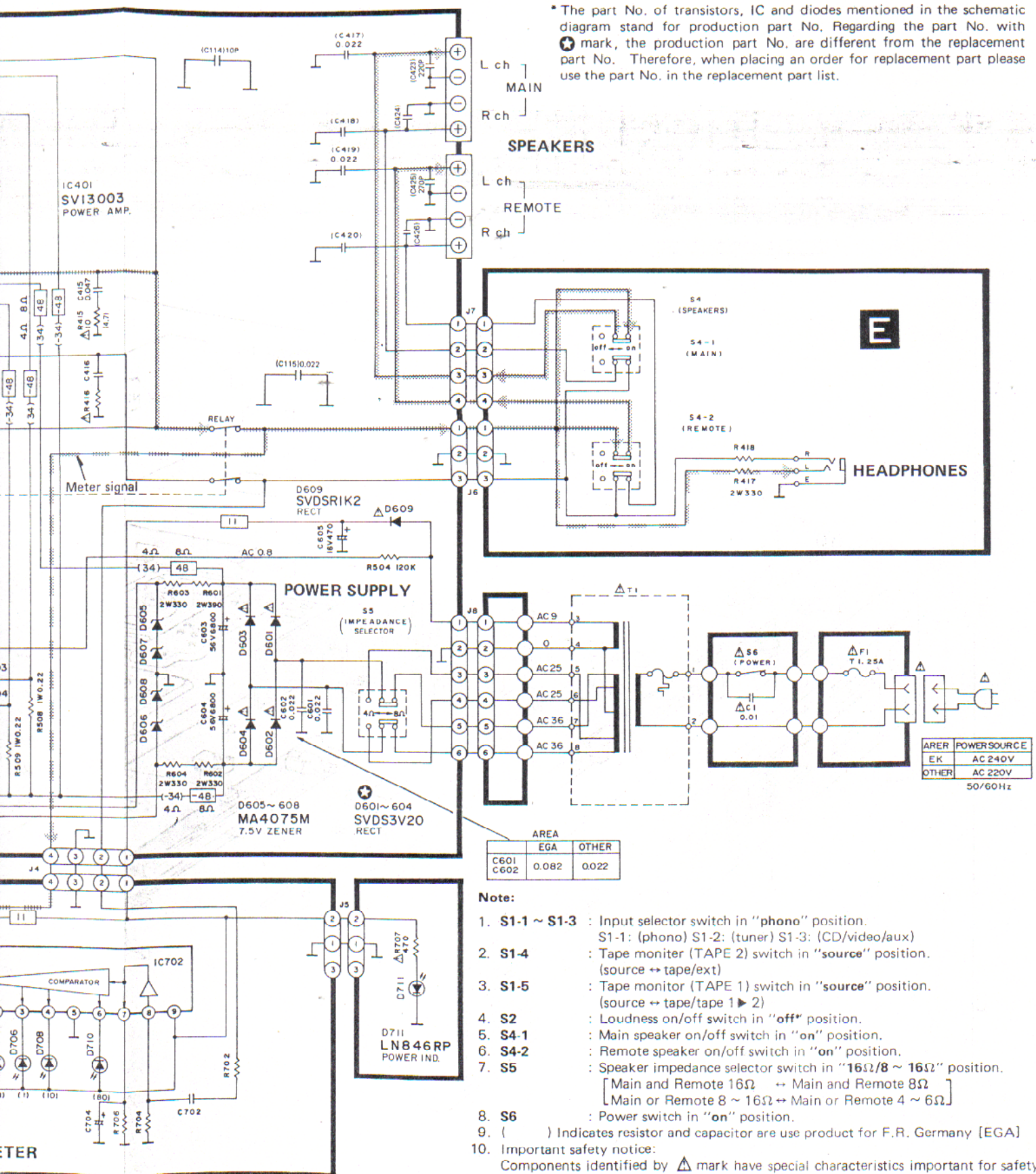
**A PHONO EQUALIZER**



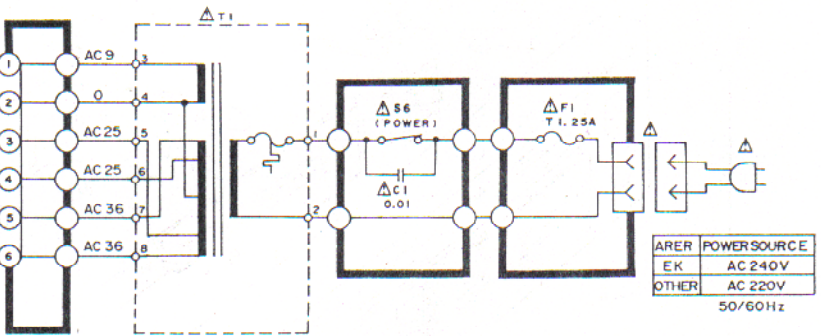
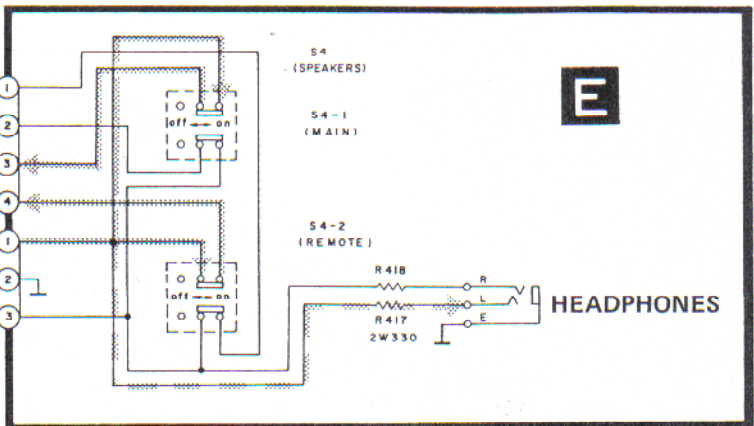
( ) Indicates resistor and capacitor are use product for F.R. Germany [EGA].

f new technology.)





\* The part No. of transistors, IC and diodes mentioned in the schematic diagram stand for production part No. Regarding the part No. with **⚡** mark, the production part No. are different from the replacement part No. Therefore, when placing an order for replacement part please use the part No. in the replacement part list.



AREA	EGA	OTHER
C601	0.082	0.022
C602	0.082	0.022

ARER	POWER SOURCE
EK	AC 240V
OTHER	AC 220V

50/60Hz

**Note:**

- S1-1 ~ S1-3 : Input selector switch in "phono" position.  
S1-1: (phono) S1-2: (tuner) S1-3: (CD/video/aux)
- S1-4 : Tape monitor (TAPE 2) switch in "source" position.  
(source ↔ tape/ext)
- S1-5 : Tape monitor (TAPE 1) switch in "source" position.  
(source ↔ tape/tape 1 ▶ 2)
- S2 : Loudness on/off switch in "off" position.
- S4-1 : Main speaker on/off switch in "on" position.
- S4-2 : Remote speaker on/off switch in "on" position.
- S5 : Speaker impedance selector switch in "16Ω/8 ~ 16Ω" position.  
[Main and Remote 16Ω ↔ Main and Remote 8Ω]  
[Main or Remote 8 ~ 16Ω ↔ Main or Remote 4 ~ 6Ω]
- S6 : Power switch in "on" position.
- ( ) Indicates resistor and capacitor are use product for F.R. Germany [EGA]
- Important safety notice:  
Components identified by **⚡** mark have special characteristics important for safety. When replacing any of these components, use only manufacturer's specified parts.
- Indicated voltage values are the standard values for the unit measured by the DC electronic circuit tester (high-impedance) with the ground point taken as standard. Therefore, there may exist some errors in the voltage values, depending on the internal impedance of the DC circuit tester.
- Phono signal (Lch)
- Positive (+B) voltage lines or Negative (-B) voltage lines.