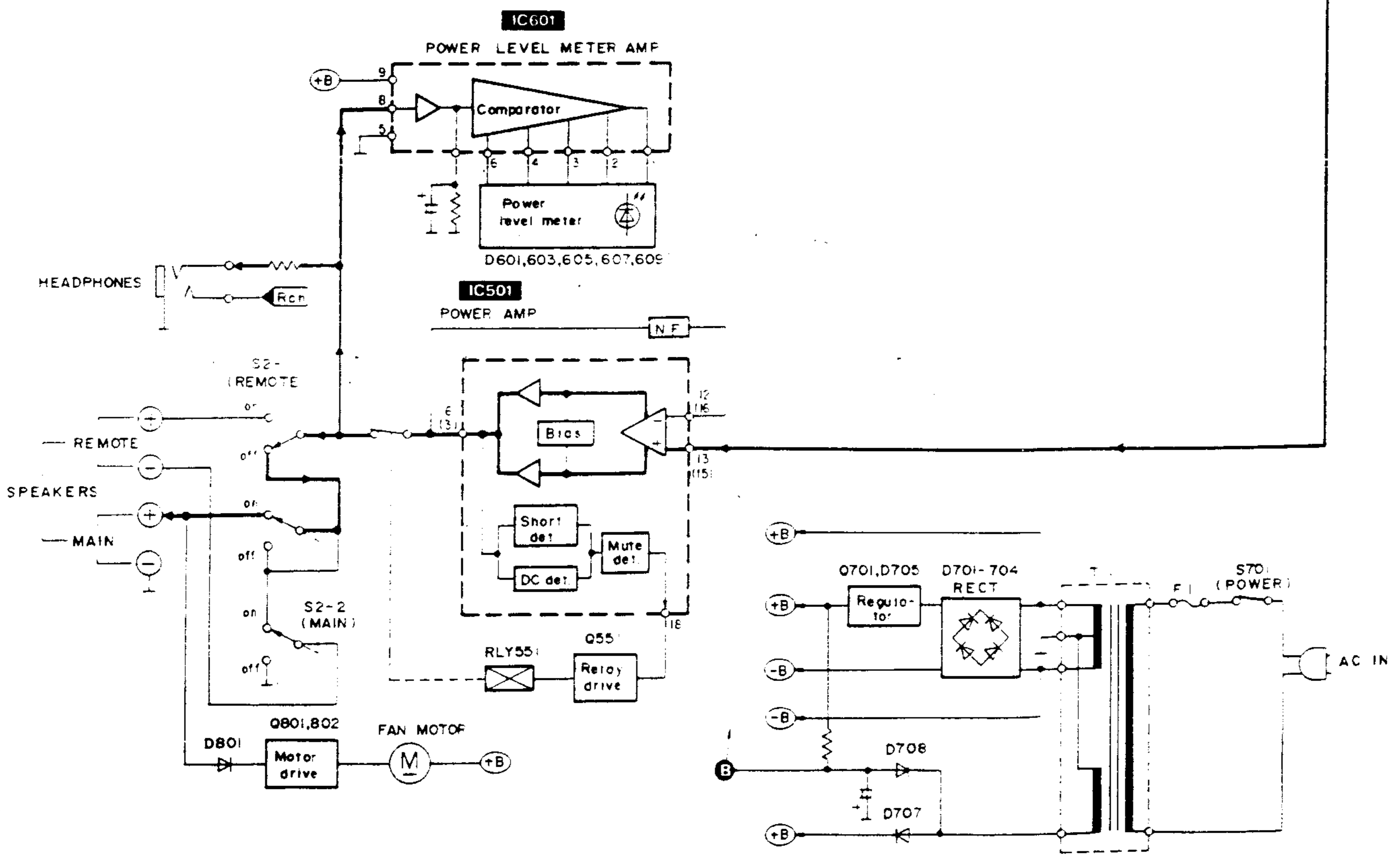
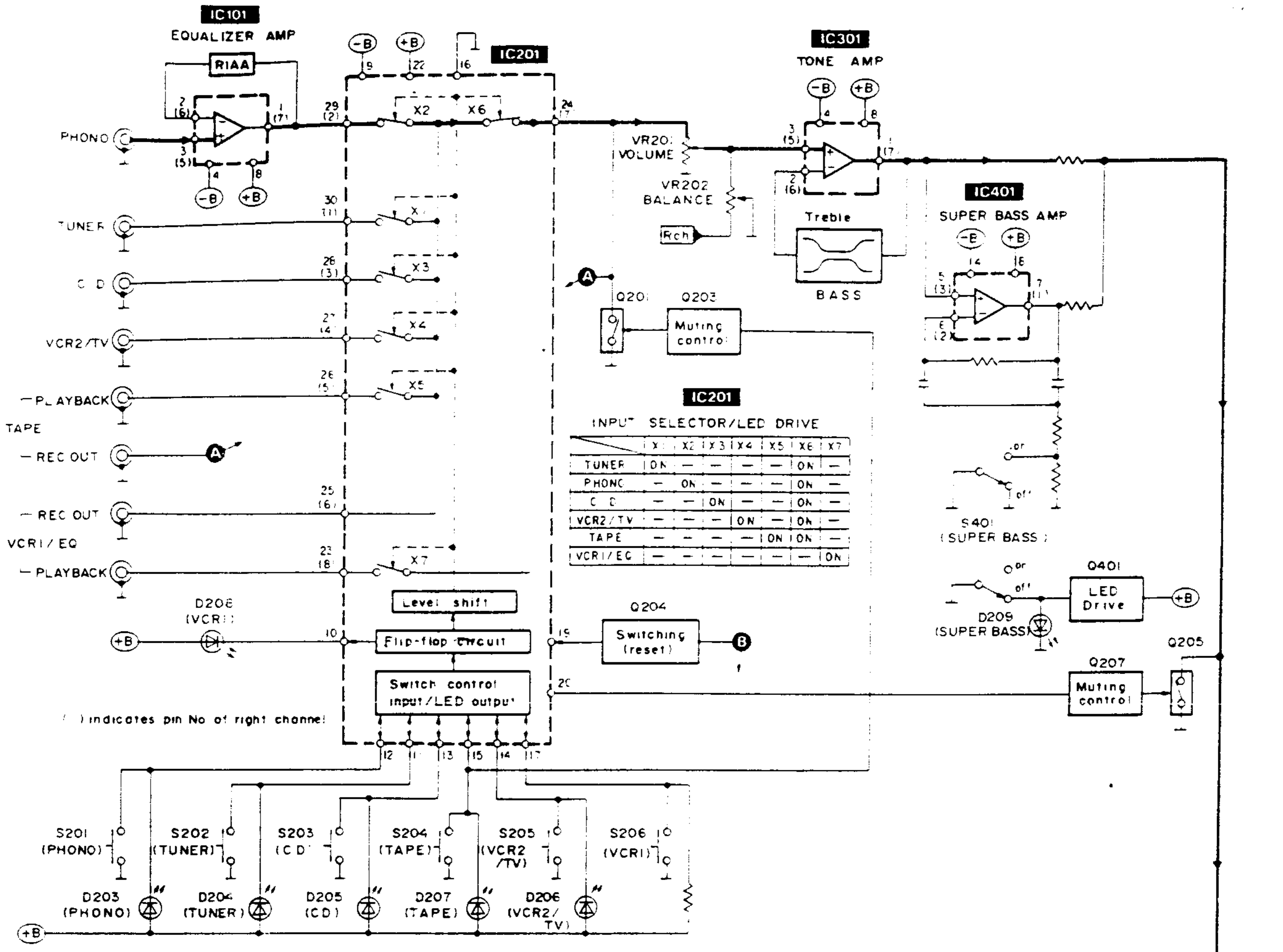
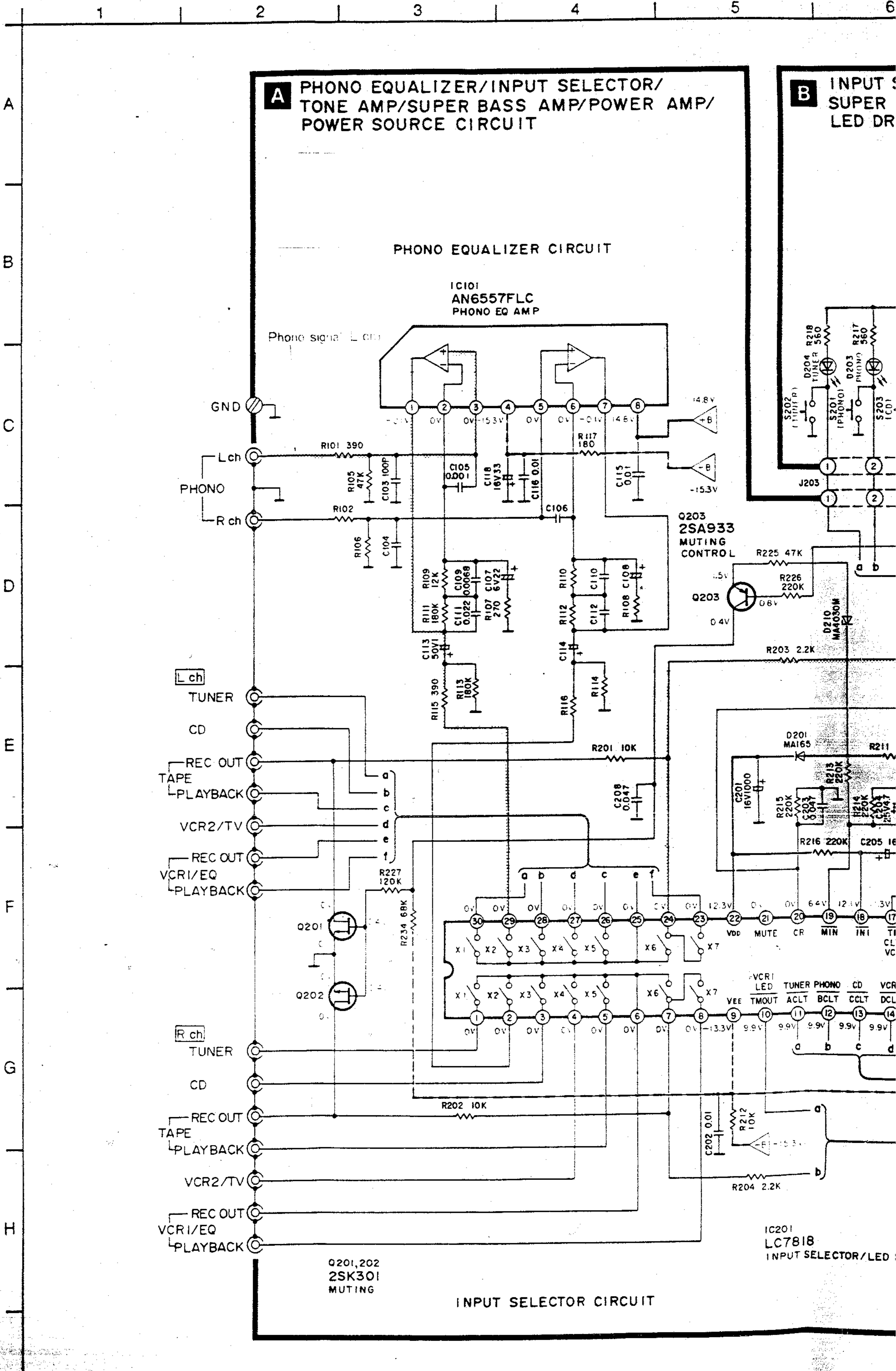
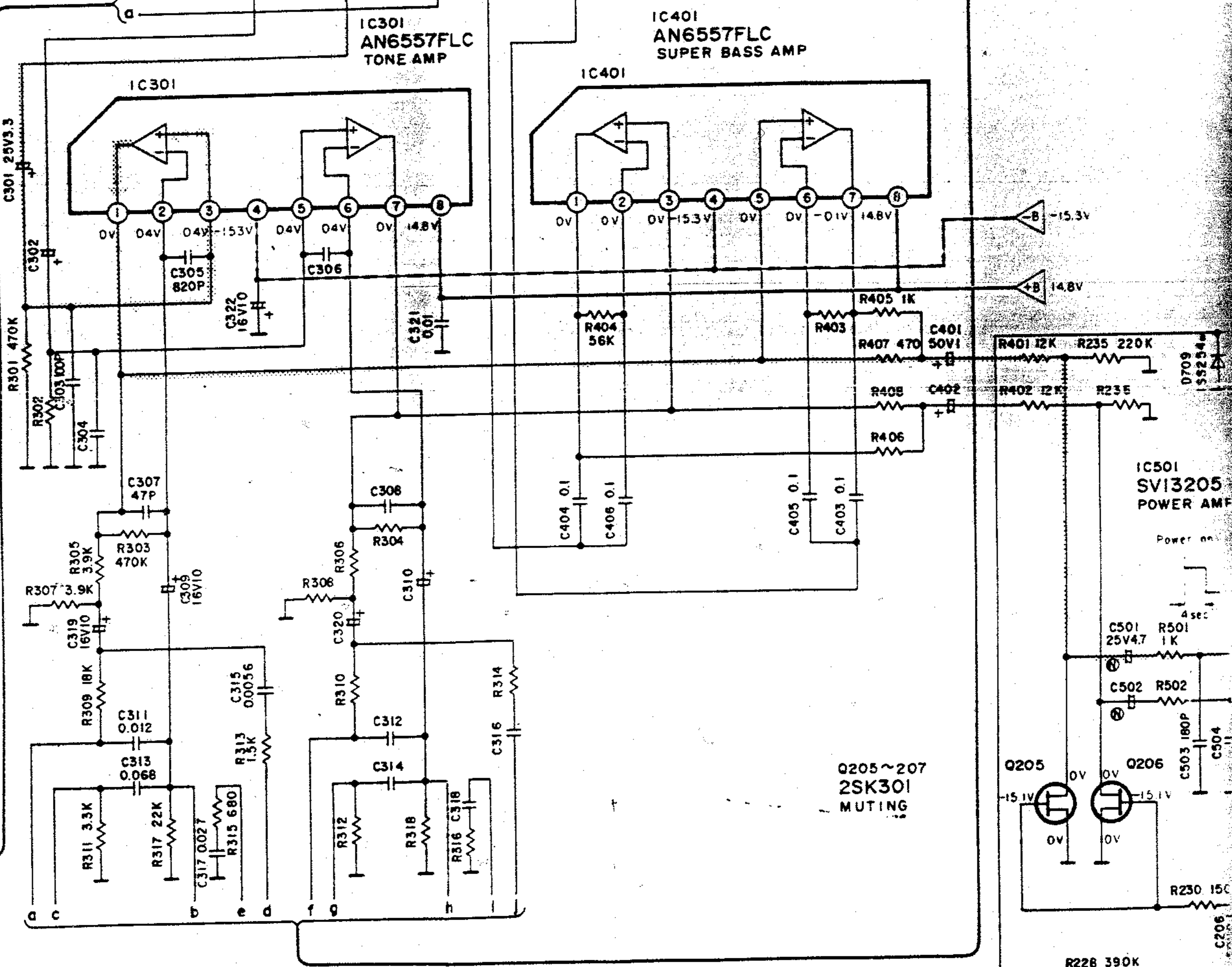
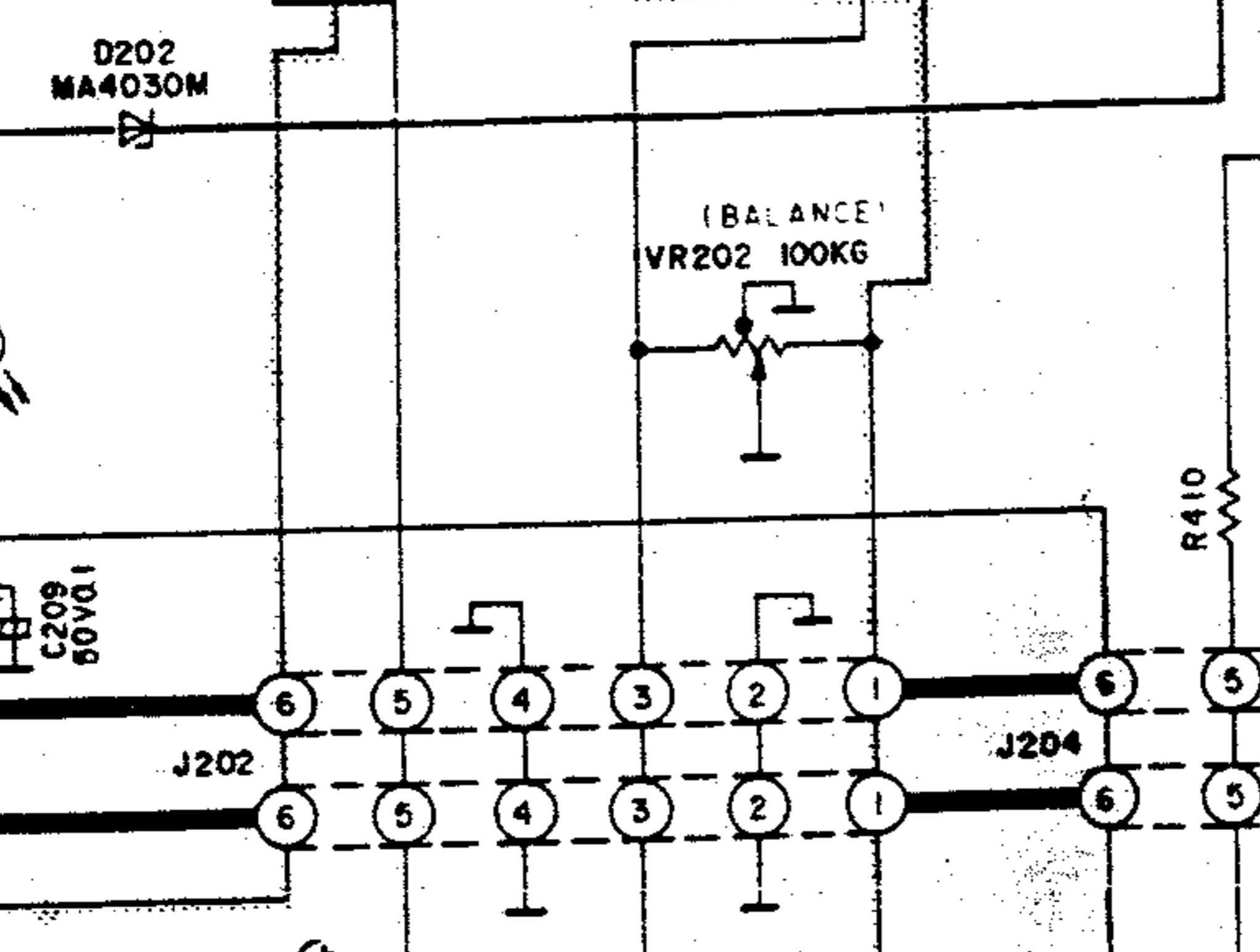
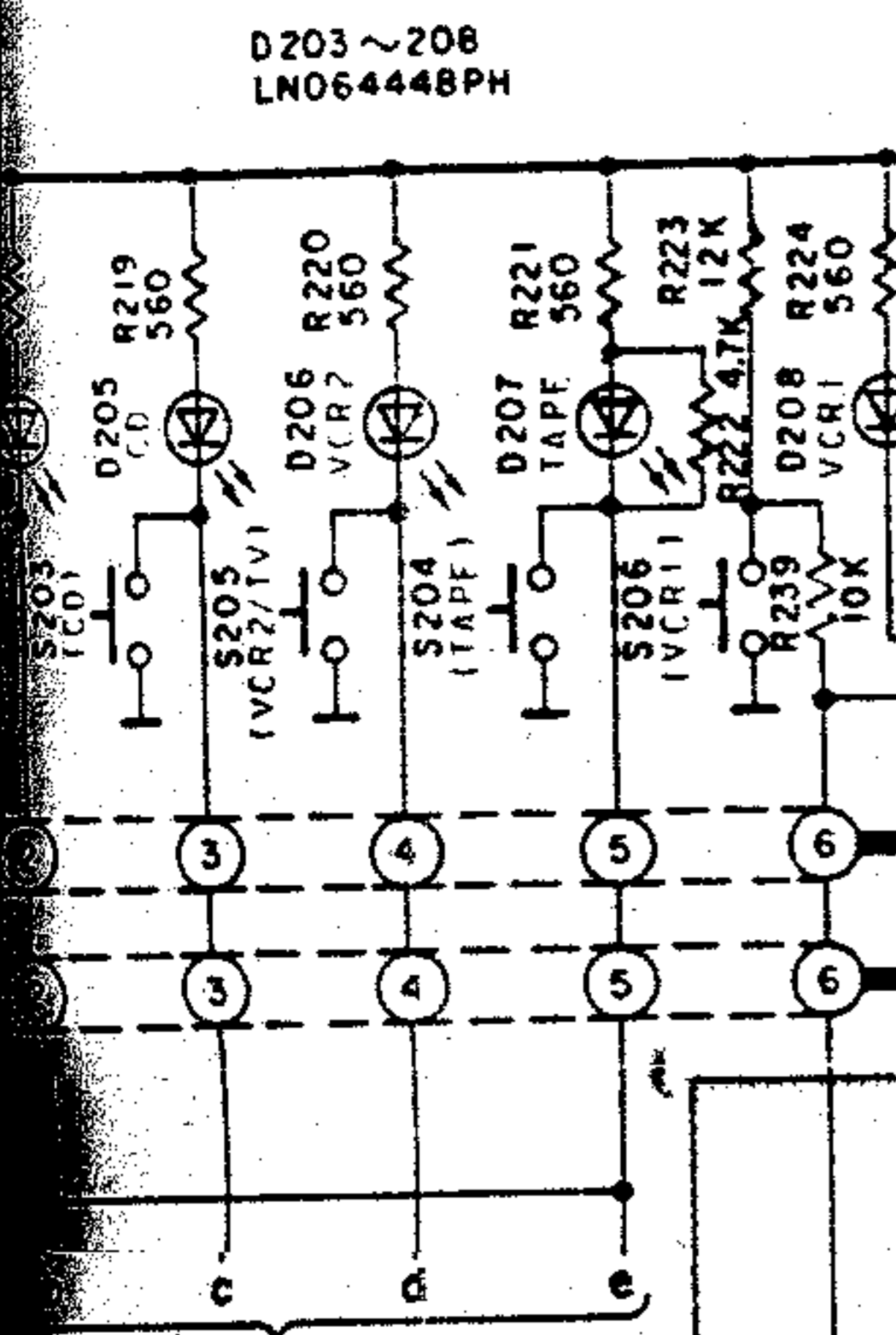
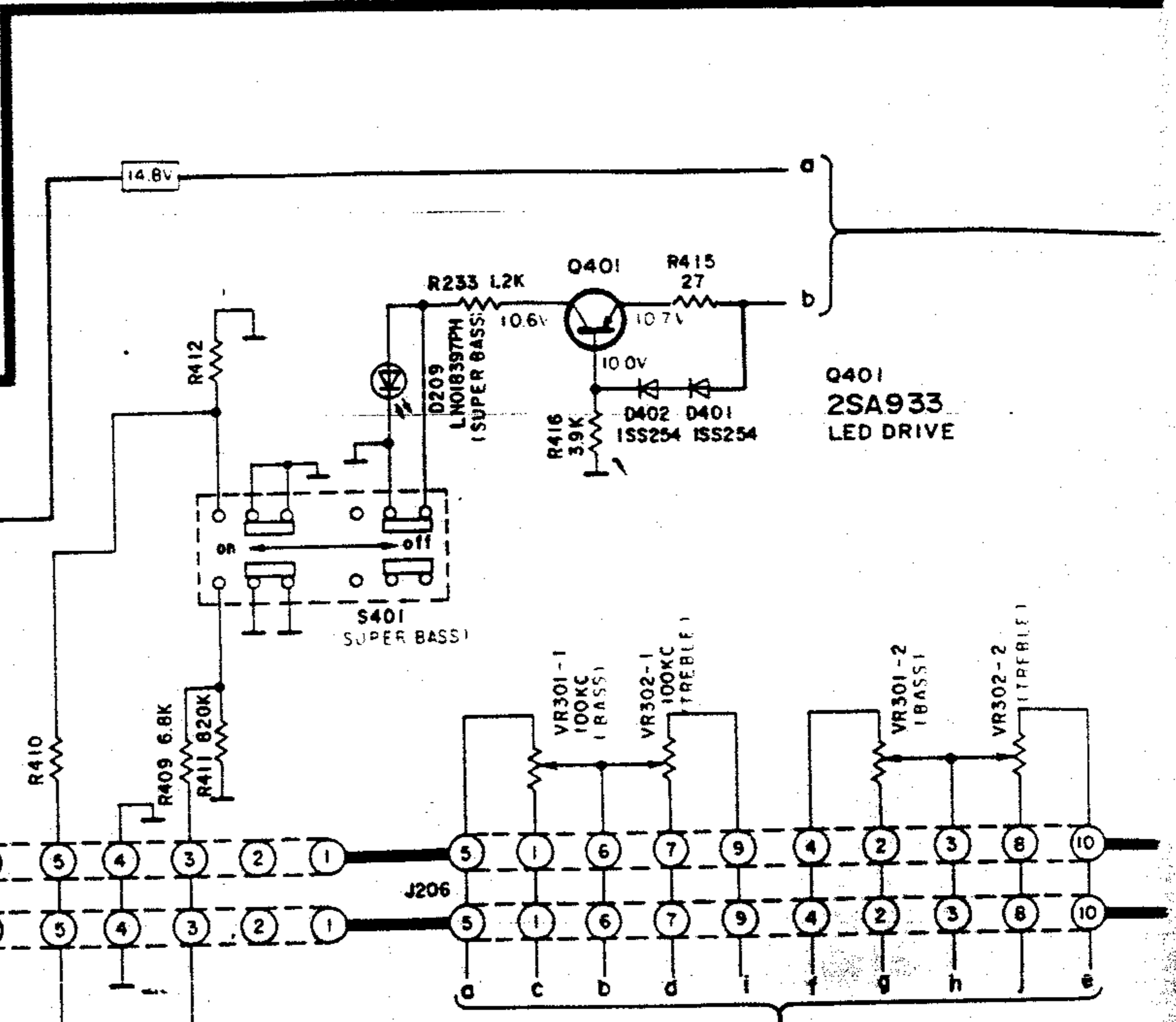
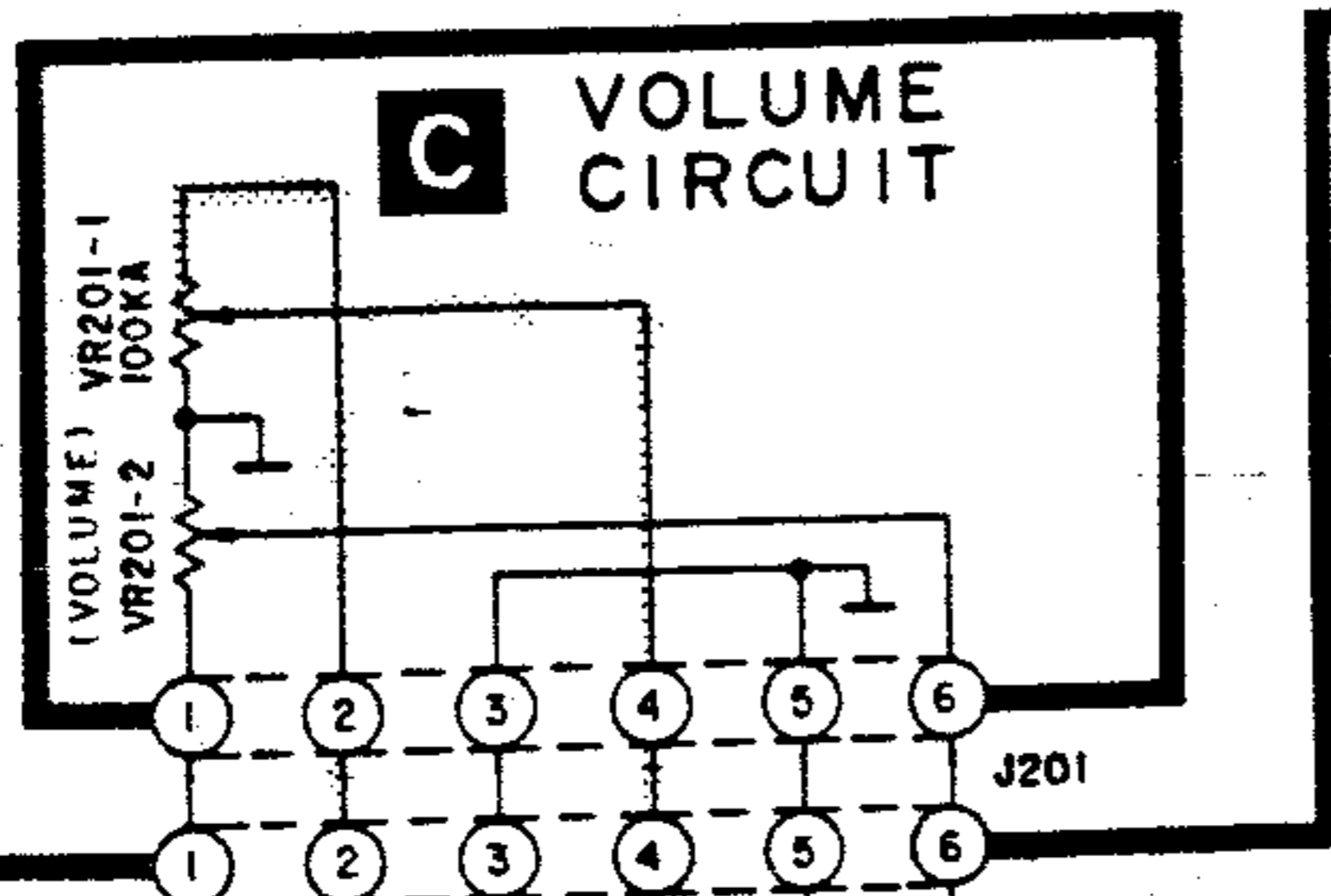


**BLOCK DIAGRAM**





T SELECT SWITCH/  
R BASS SWITCH/  
DRIVE CIRCUIT

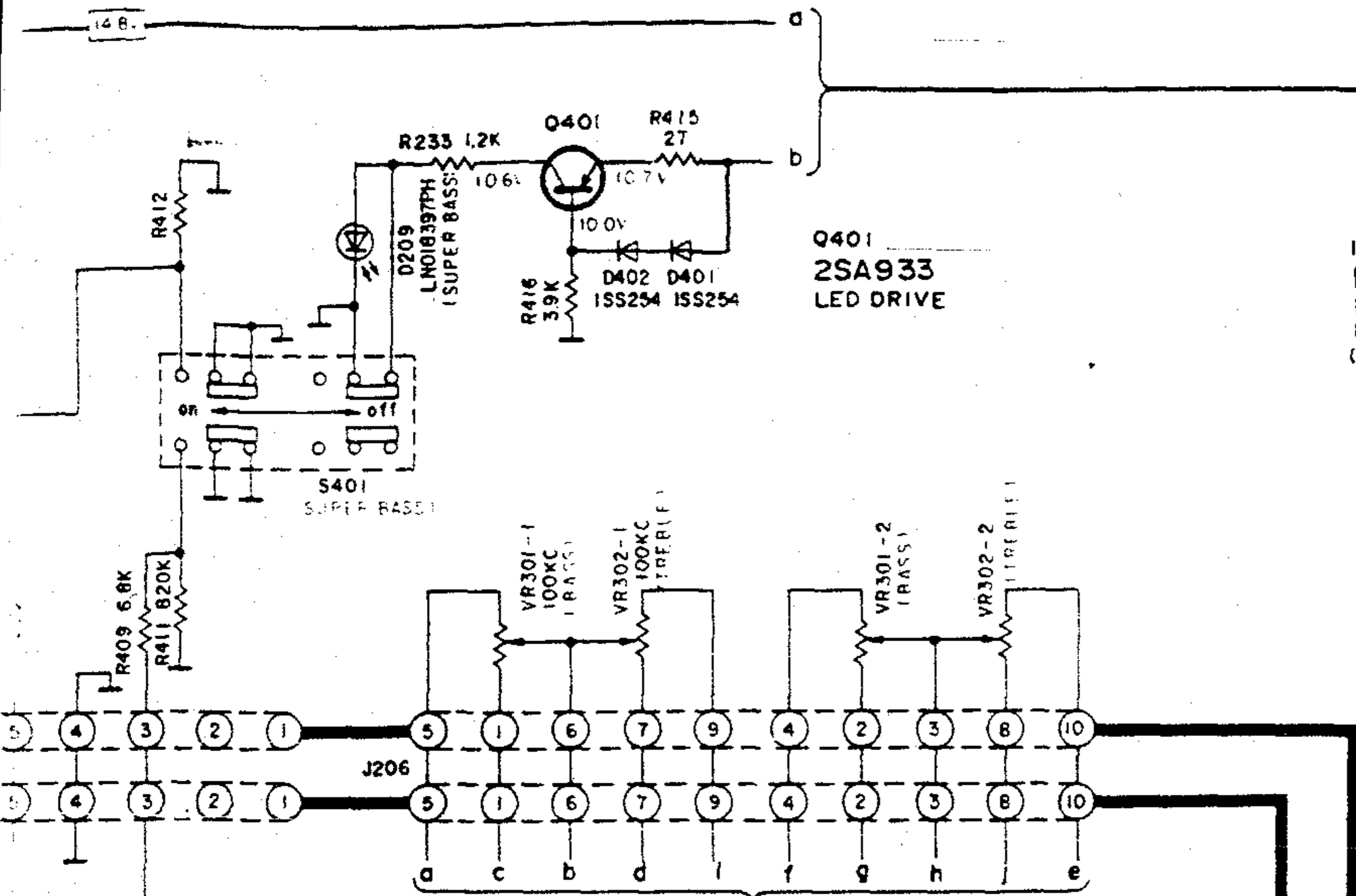


TONE/SUPER BASS AMP CIRCUIT

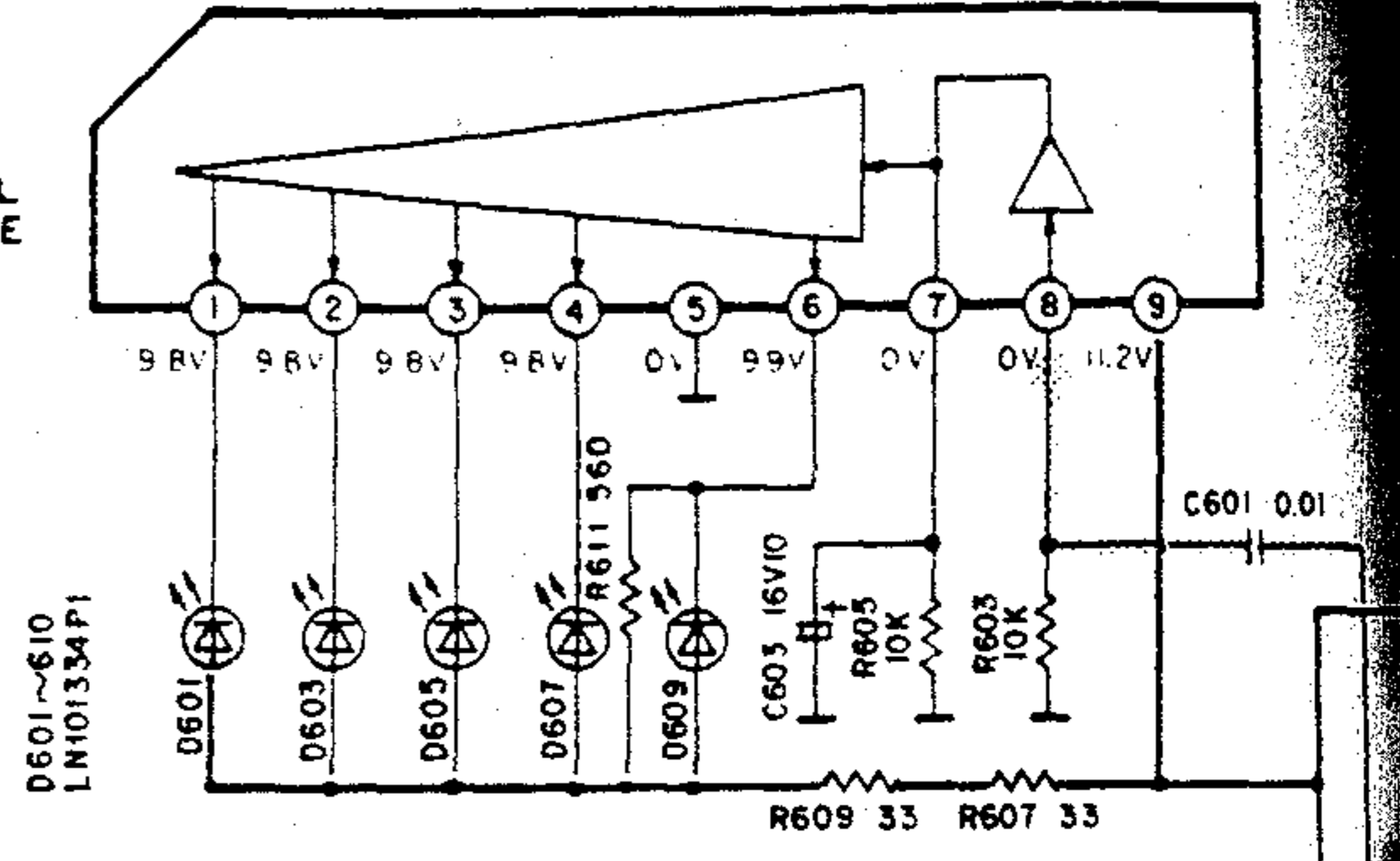
ED DRIVE

SU-7780

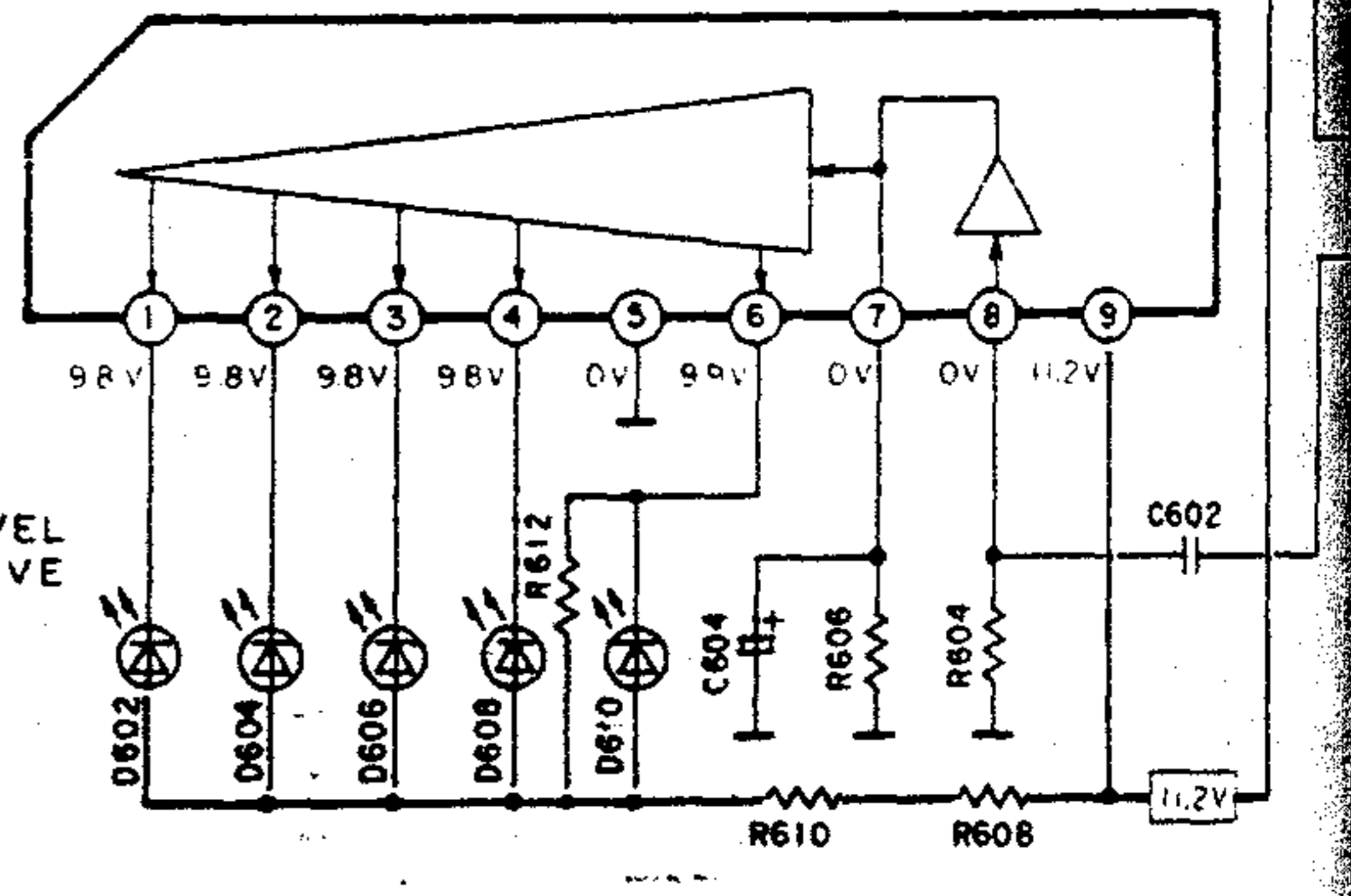
POWER METER DRIVE CIRCUIT



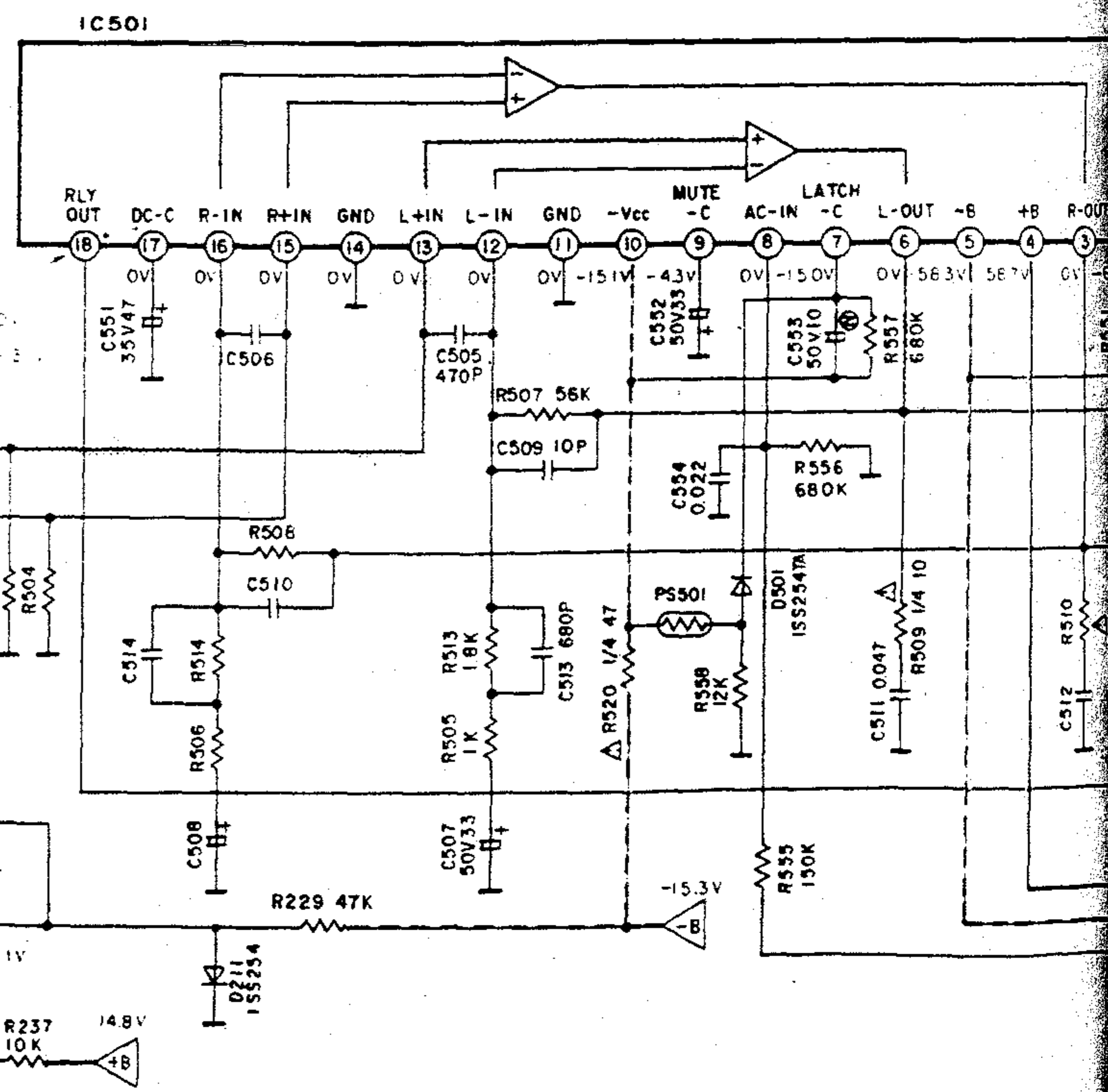
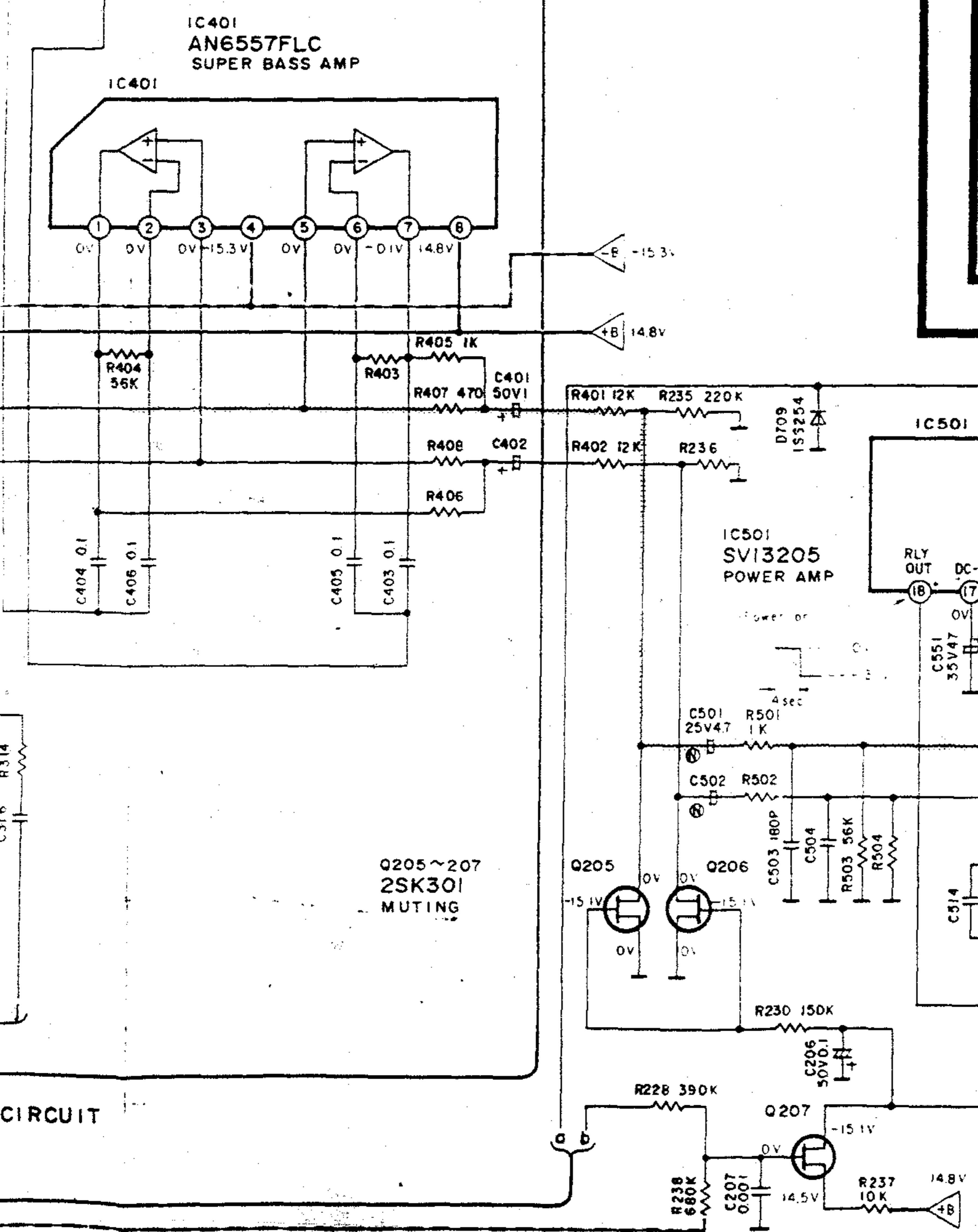
IC601  
BA6144  
POWER LEVEL  
METER DRIVE  
(L ch)



IC602  
BA6144  
POWER LEVEL  
METER DRIVE  
(R ch)



POWER AMP CIRCUIT



CIRCUIT

