

SCHEMATIC DIAGRAM

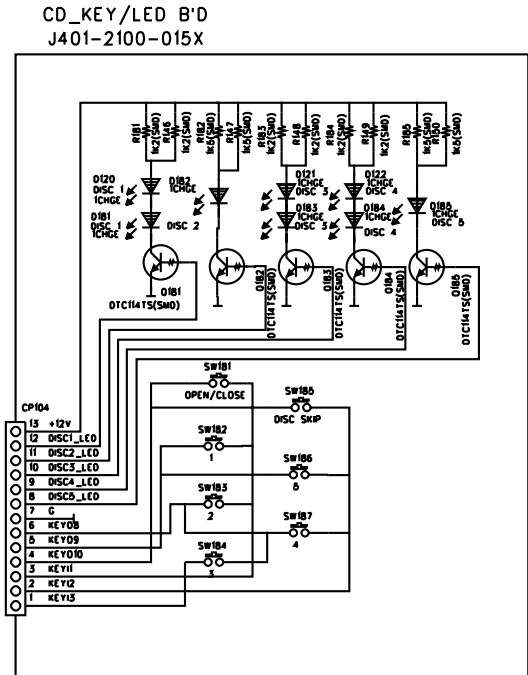
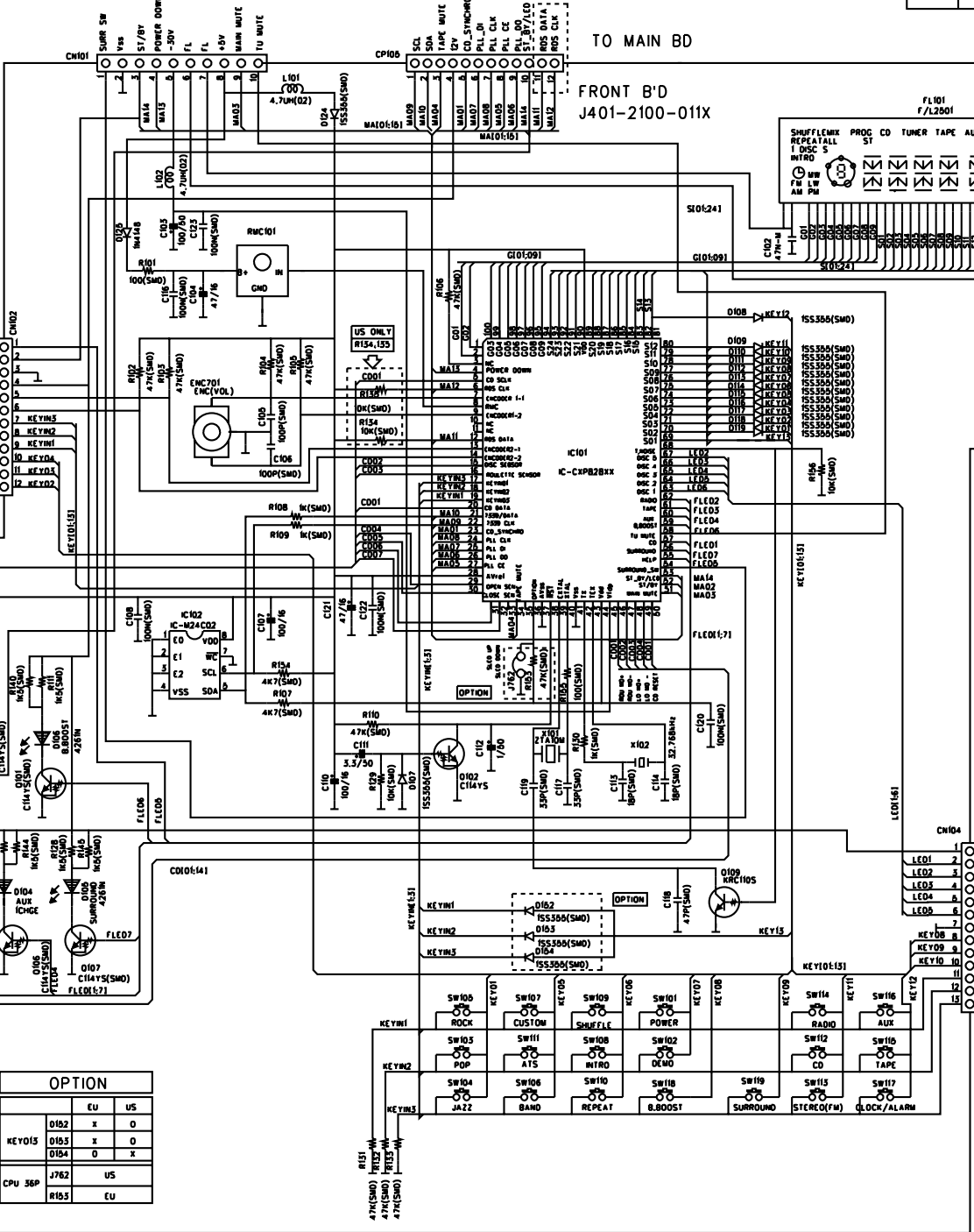
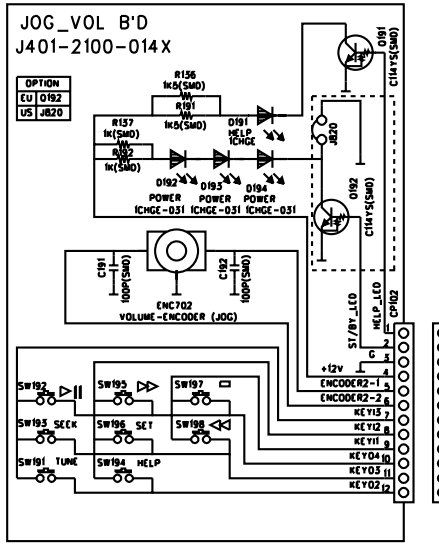
NO	DATE	POS.	CONTENTS	NO	DATE	POS.	CONTENTS

J401-2100-010X

FROM POWER B'D

TO MAIN BD

FRONT B'D
J401-2100-011X



Hour	FM	AM	LW
US 12	200h	10h	NO
EU 24	50h	9h	1h
LA 12	50h	10h	NO
KOR 12	10h	9h	NO

OPTION

KEY015	EU	US
0102	x	o
0103	x	o
0104	o	x

CPU 36P	US
J762	US
R153	EU

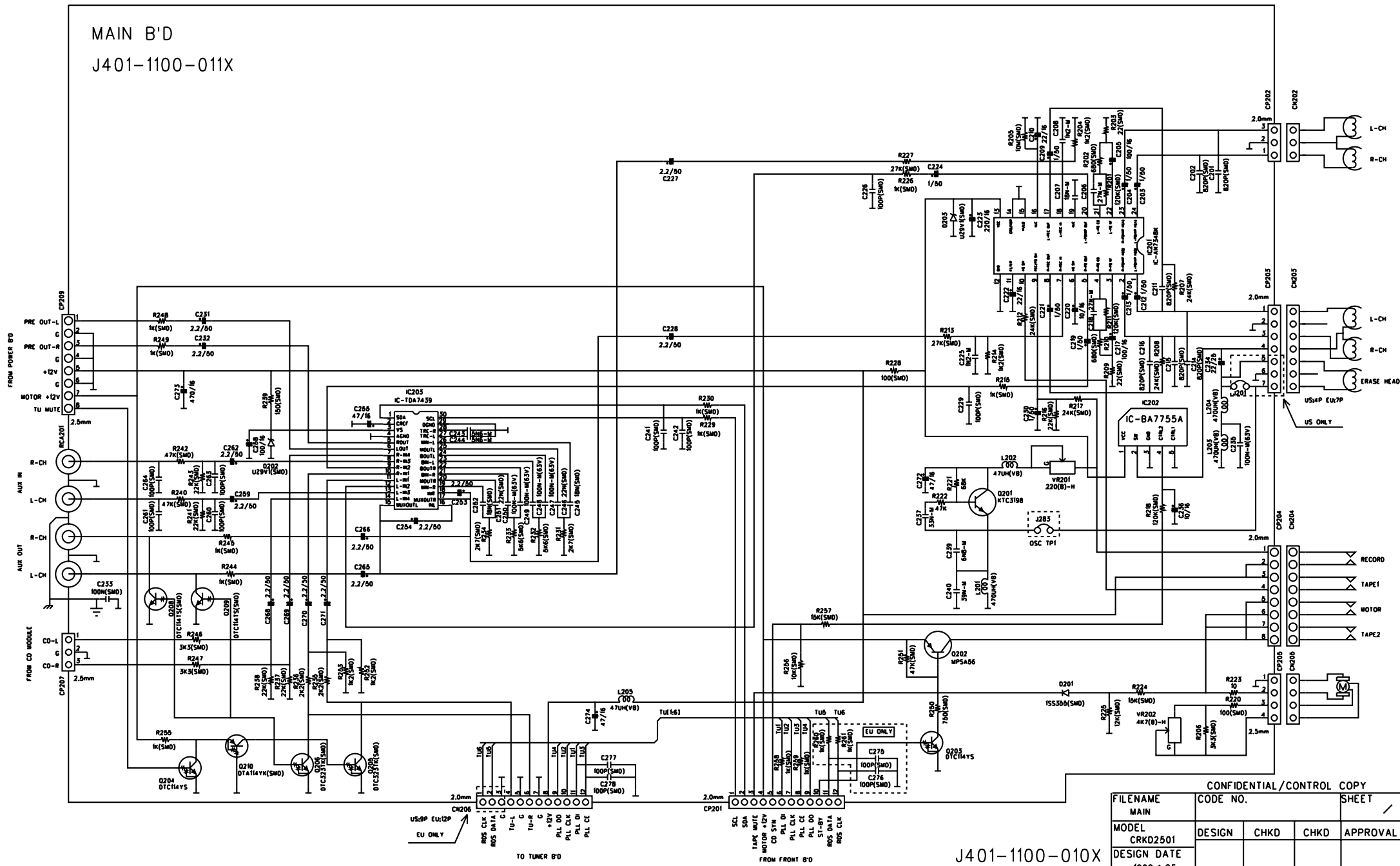
CONFIDENTIAL/CONTROL COPY

FILENAME	CODE NO.	SHEET		
FRONT		1		
MODEL	DESIGN	CHKD	CHKD	APPROVAL
CRKD2501				
DESIGN DATE				
1999.4.25				

SCHEMATIC DIAGRAM

NO	DATE	POS.	CONTENTS	NO	DATE	POS.	CONTENTS

MAIN B'D
J401-1100-011X



CONFIDENTIAL/CONTROL COPY

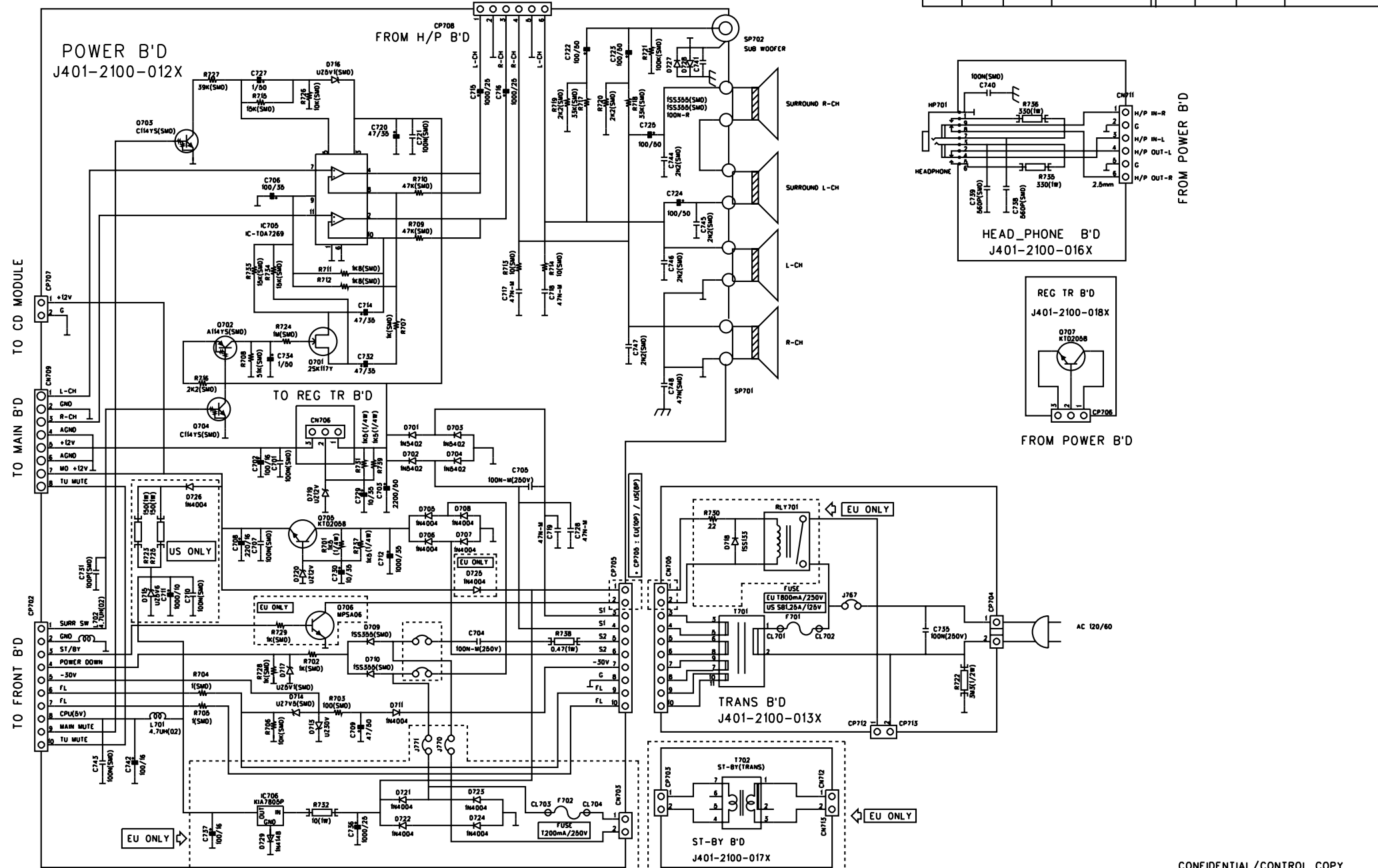
FILENAME	CODE NO.	SHEET		
MAIN		1		
MODEL	DESIGN	CHKD	CHKD	APPROVAL
CRKD2501				
DESIGN DATE				
1999.4.25				

J401-1100-010X

TTC LTD.

SCHEMATIC DIAGRAM

NO	DATE	POS.	CONTENTS	NO	DATE	POS.	CONTENTS



CONFIDENTIAL/CONTROL COPY				
FILENAME	CODE NO.		SHEET	
POWER			/	
MODEL	DESIGN	CHKD	CHKD	APPROVAL
CRKD2501				
DESIGN DATE				
1999.4.25				

J401-2100-010X

