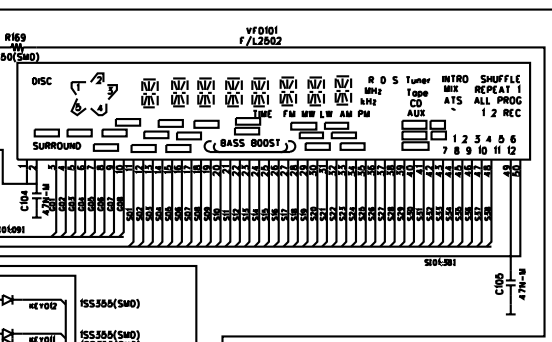
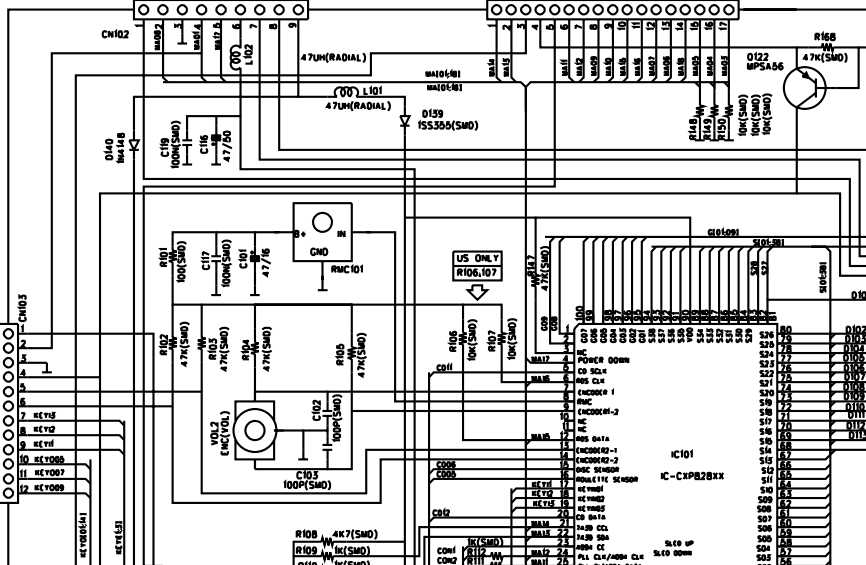
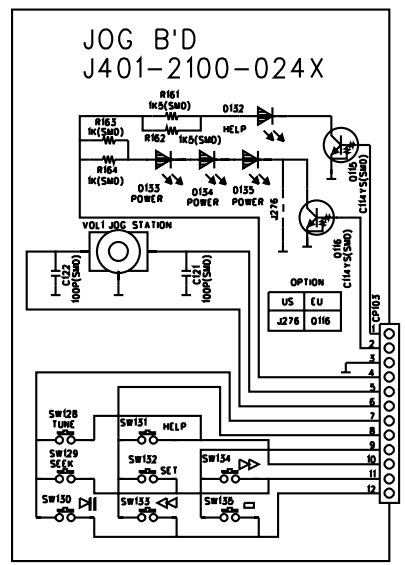


FRONT B'D
J401-2100-020X

FROM POWER B'D
FROM MAIN BD

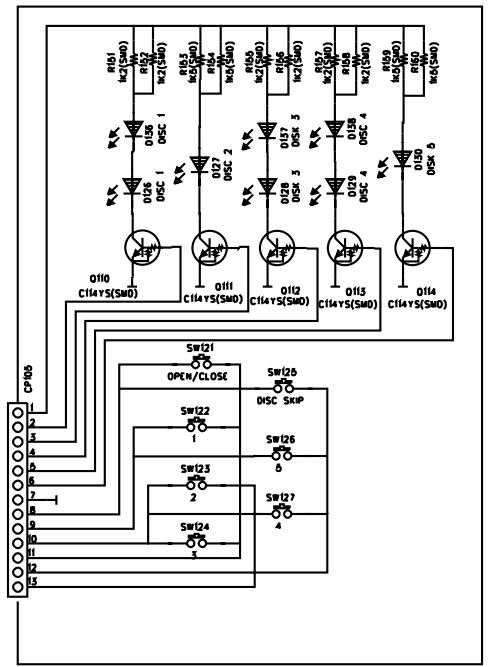
SCHEMATIC DIAGRAM

NO	DATE	POS.	CONTENTS	NO	DATE	POS.	CONTENTS

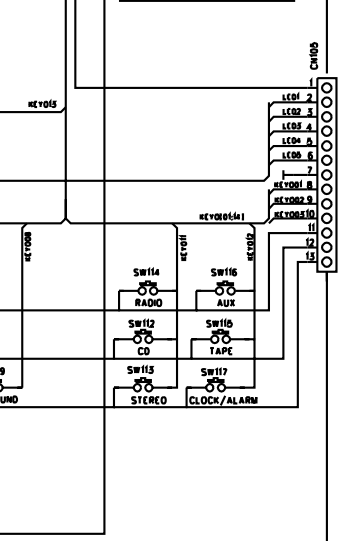
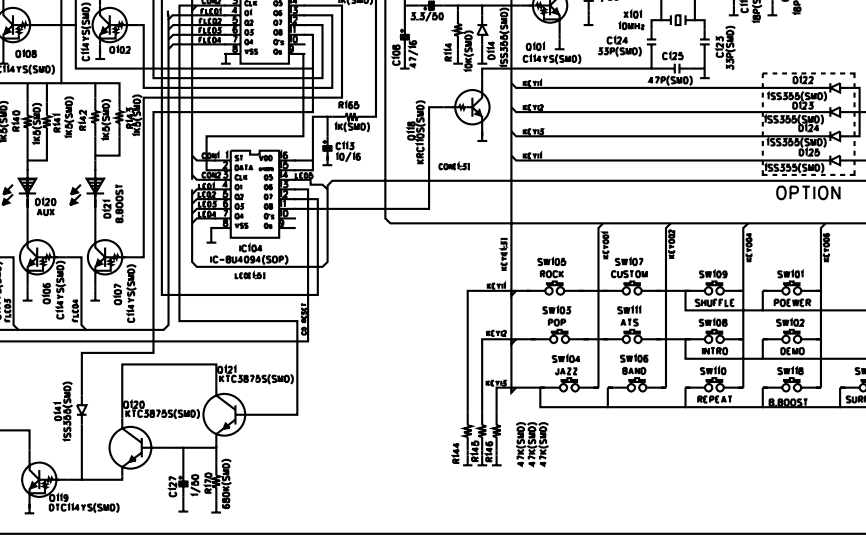
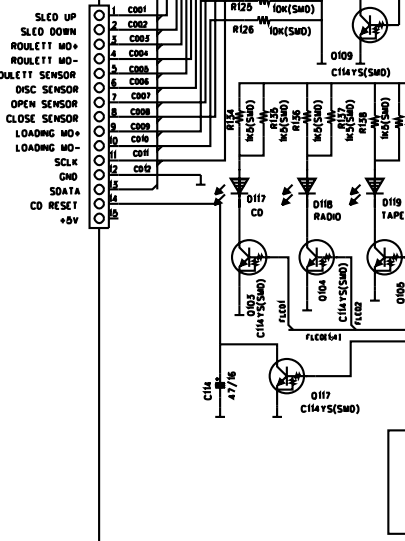


FRONT B'D
J401-2100-021X

CD_KEY/LED B'D
J401-2100-025X



FROM CD MODULE

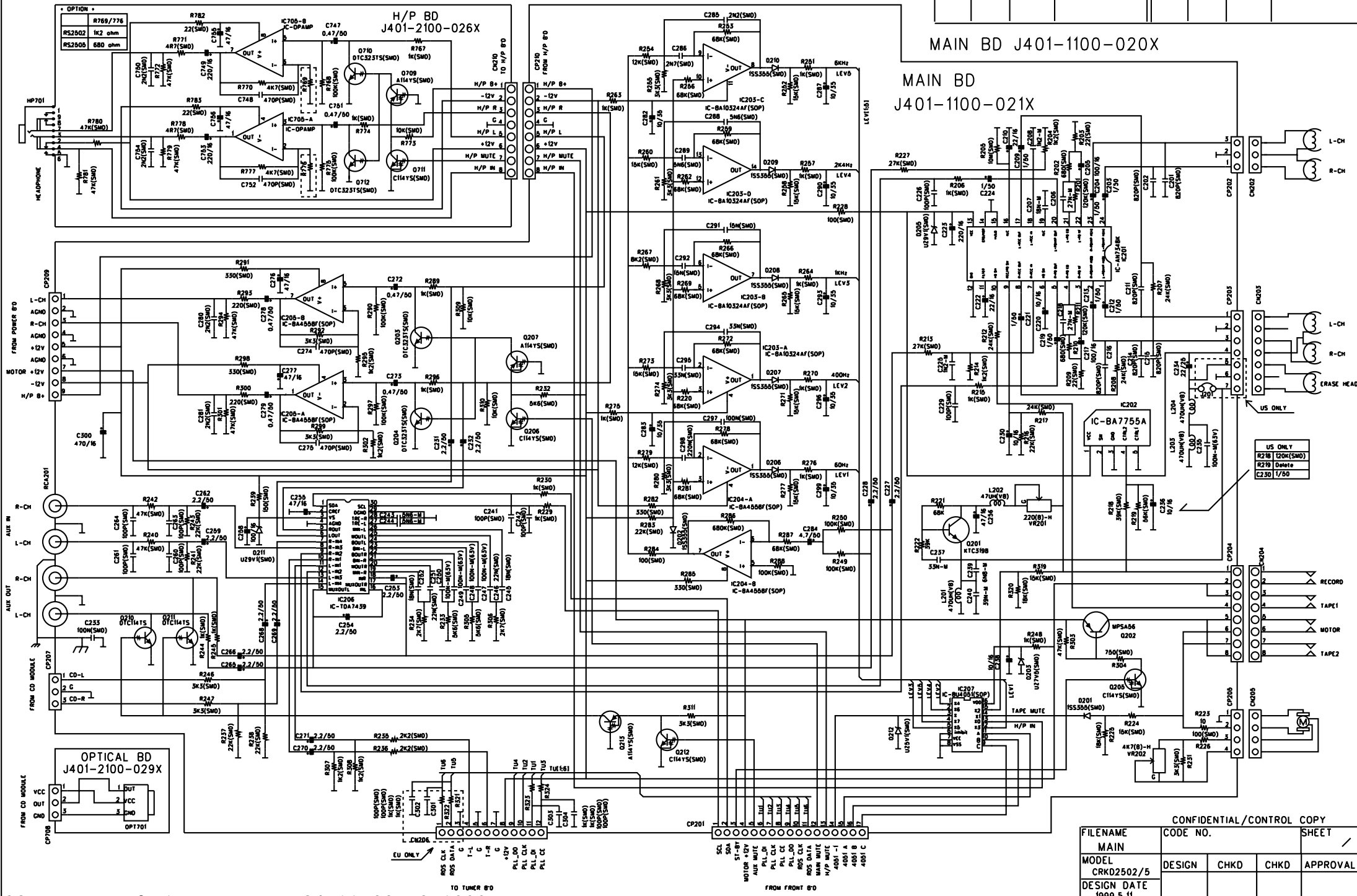


CONFIDENTIAL/CONTROL COPY

FILENAME FRONT	CODE NO.	SHEET /		
MODEL CRKD2502/5	DESIGN	CHKD	CHKD	APPROVAL
DESIGN DATE 1999.4.27				

SCHEMATIC DIAGRAM

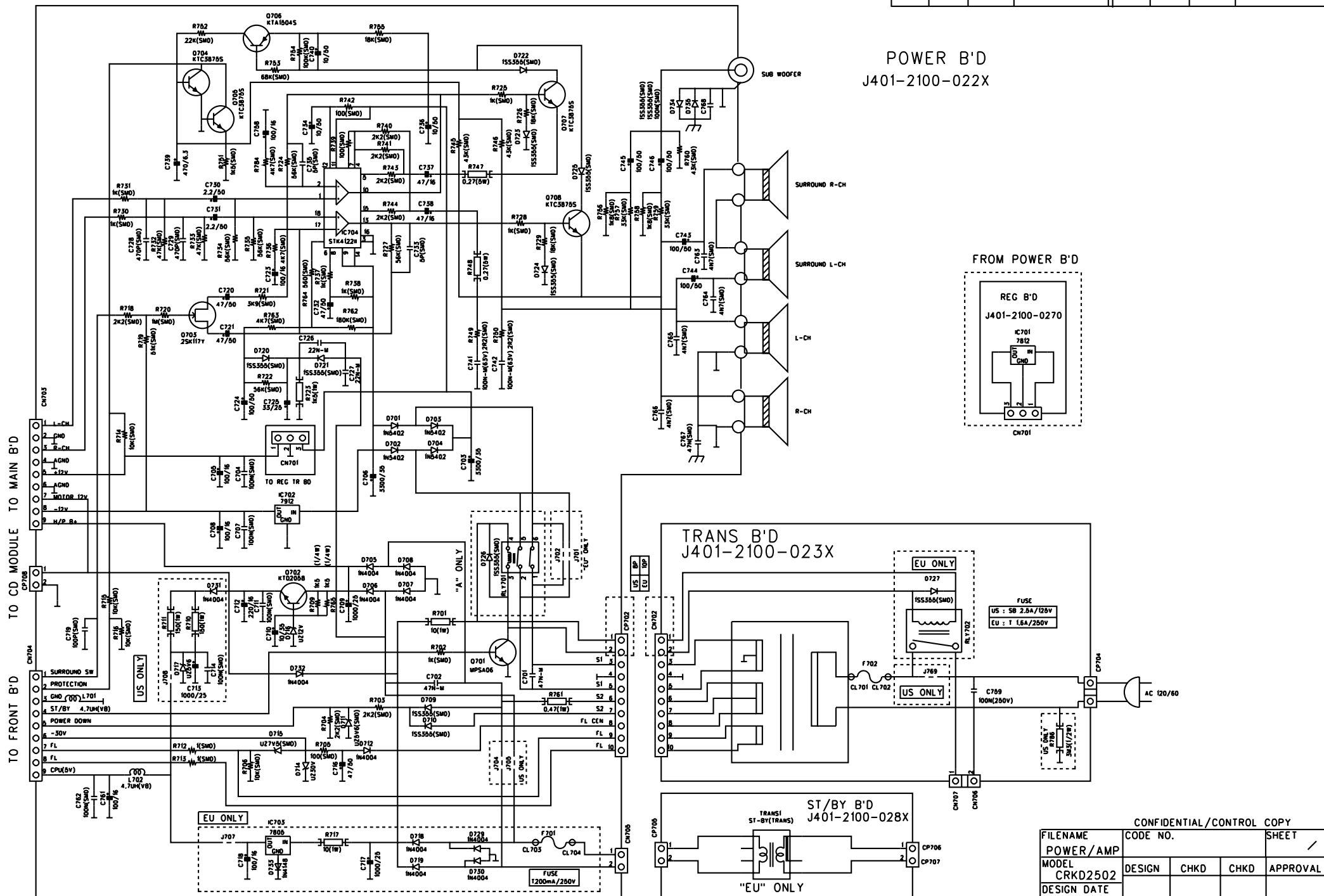
NO	DATE	POS.	CONTENTS	NO	DATE	POS.	CONTENTS



CONFIDENTIAL/CONTROL COPY				
FILENAME	CODE NO.	SHEET		
MAIN		/		
MODEL	CRK02502/5	DESIGN	CHKD	APPROVAL
DESIGN DATE	1999.5.11			

SCHEMATIC DIAGRAM

NO	DATE	POS.	CONTENTS	NO	DATE	POS.	CONTENTS



CONFIDENTIAL/CONTROL COPY				
FILENAME	CODE NO.		SHEET	
POWER/AMP				
MODEL	DESIGN	CHKD	CHKD	APPROVAL
CRKD2502				
DESIGN DATE				
1999.5.11				

