

PARTS LIST
LISTE PIECES DETACHEES
ERSATZTEILLISTE
LISTA PARTI DI RICAMBIO
LISTA DE PIEZAS DE REPUESTO



THOMSON
ALTIMA3100
Chassis CRKD2530

MODULES

MAIN	MAIN	R 55107250
AMPL	AMPLI	R 55107240
KDB	DISPLAY/CONTROL	R 55107260
POWE	POWER	55107880
RCPB	CASSETTE	55107230
SVB	CD CONTROL	55024460



IC001 (MAIN)	TEA5757H	20955120
IC002 (MAIN)	BU1924F FLAT	55048400
IC001,002 (SVB)	LB1641	△ 20656300
IC300	AN7348K	20693340
IC301	TDA7439	35096300
IC302	BA7755A	10214460
IC502	TDA7269	10348790
IC701	UPD780206-098-3BA FLAT	55112840
IC801	HCF4094BM1 FLAT	55069960
IC802	AN6605N	55107490
ICP01	ICP15	20777230
IR701	GP1U287R	20852030
Q812,813	KTC3203	20538210



PI001,002,003,005,006	RPI-574	20586840
PI004	GP2S28	20556130
Q003,004,006,702,703,705,706,801,804,807,808,809	KTC3875GR SMD	20779850
Q305,401,504,513,701,802,805	KTC3203Y/KTC2120Y	20538220
Q307,331	KRC107S SMD	55051240
Q330	KTA1504GR SMD	20779750
Q503,505,511,515	KTC3198GR	20508070
Q510	KTA966A-Y	10469490
Q512	2SD2012	10221820
Q516	2SA1266Y	20508210
Q517	2SK117Y	35095520
Q803,806,810,811	2SA950Y	20534440



D001,002 (MAIN)	SVC201SP	10281340
D001 (SVB)	1N5232B 5.6V	20414280
D002 (SVB)	1N5235B	20526990
D003 (MAIN)	SVC348	55104590
D003,004,515,519,520,521,522,JP503	1N4002	11070780
D402,513	BZX55C7V5	80444150
D505,506,507,508	1N5402	55041640
D509,510,511,512	1N5392	10232130
D514	1N4751A	20743260
D523	BZX85C12	70437720
D525,707,708,709,710,711,713,714,715,727,801,802	1N4148	44009209
D701	1N5234B 6V2	20526970
D705	L314-SRD LED	20971500



TF001	796KHZ 400UH	55103950
TF002	252KHZ	55104000
TF003	104UH	55103970
TF004	796KHZ 110UH	55104260
TF005	460KHZ	55103990
TF006	11MHZ	55103940
TF007,008	442KHZ	55103980
X001	75KHZ	55106010
X002	4M332HZ	55050710
Y001,002	10M7HZ	55079320
Y003	450K0HZ	20973940
Y701	4M19HZ	20776150



L801		70182000
EN701		55117390
R832	4K7 OHM	10368440
RV001	4K7 OHM	55125730



R003,004	2R2 OHM 5% 0,25W	△ 15009870
-----------------	------------------	------------



C018, CV001, CV002	11POF	10280980
C801,802	4N7F 20% 250V	△ 20677520



T05474A		△ 55117360
T05476B (STAND-BY)		△ 55093640

R : RECYCLED PART
: PIECE RECYCLEE
: AUSTAUSCHTEILE
: RICAMBIO RICICLATO
: MODULO REPROCESADO

For any requests, please contact THOMSON multimedia after sales service area
 Pour toutes précisions, contactez votre service apres vente local THOMSON multimedia
 Für weitere Auskünfte, wenden Sie sich bitte an die THOMSON multimedia Kundendienst
 Per precisazioni, contattate l'assistenza tecnica THOMSON multimedia
 Para cualquier pregunta, por favor contactar con el responsable de zona del servicio postventa de THOMSON multimedia

VERSION 1 05 / 2001 35158920
VERSION 2 00 / 0000

**OTHER PARTS
AUTRES PIECES
SONSTIGE TEILE
ALTRE PARTI
OTRAS PIEZAS**

F503,504	2AT 250V TIME-LAG FUSE Δ 48029300 2AT 250V FUSIBLE TEMPORISE 2AT 250V SICHERUNG 2AT 250V FUSIBILE TEMPORIZZATO 2AT 250V FUSIBILE TEMPORIZADO	
F505,506,801	1A6T 250V TIME-LAG FUSE Δ 48064700 1A6T 250V FUSIBLE TEMPORISE 1A6T 250V SICHERUNG 1A6T 250V FUSIBILE TEMPORIZZATO 1A6T 250V FUSIBILE TEMPORIZADO	
FL701	DISPLAY LCD 55105080 AFFICHEUR LCD LCD-ANZEIGE VISUALIZZATORE LCD VISUALIZADOR LCD	
NJ501	LOUDSPEAKER SOCKET 10284650 PRISE HAUT PARLEUR LAUTSPRECHERBUCHSE PRESA ALTOPARLANTE TOMA HEMBRA ALTAVOZ	
NJ504	HEADPHONE SOCKET 55050690 PRISE CASQUE KOPFHÖRERBUCHSE PRESA JACK TOMA JACK	
NJ515	LOUDSPEAKER SOCKET 55060580 PRISE HAUT PARLEUR LAUTSPRECHERBUCHSE PRESA ALTOPARLANTE TOMA HEMBRA ALTAVOZ	
NJ516	CINCH SOCKET 55051030 PRISE CINCH CHINCH-BUCHSE PRESA CINCH TOMA CINCH	
NJ517	CINCH SOCKET 55066600 PRISE CINCH CHINCH-BUCHSE PRESA CINCH TOMA CINCH	
OP01	OPTICAL SOCKET 55035050 PRISE OPTIQUE BUCHSE PICK-UP PRESA OTTICA TOMA OPTICO	
RLY1	SDT-S-112LMR RELAY 12V Δ 35095470 SDT-S-112LMR RELAIS 12V SDT-S-112LMR RELAIS 12V SDT-S-112LMR RELEE 12V SDT-S-112LMR RELEE 12V	
SW701,702, 703,704,705, 706,707,708, 709,710,711, 712,713,714, 715,716,717, 718,719,720, 721,722,723, 724	MICROSWITCH 20404730 MICROCONTACTEUR MIKROSCHALTER MICROINTERRUTTORE MICROCONTACTOR	

**EQUIPMENT/PRESENTATION
EQUIPEMENT/PRESENTATION
AUSSTATTUNG/GEHAEUSE
PARTI VARIE
EQUIPO/PRESENTACION**

FOLDING BOX 55130780 EMBALLAGE CARTON KARTON IMBALLGGIO CARTONE EMBALAJE CARTON	
FITTING REAR 55144040 CALE ARRIERE POLSTER HINTEN Distanziatore posteriore CALZO TRASERA	
FITTING FRONT 55144030 CALE AVANT POLSTER VORN Distanziatore anteriore CALZO DELANTERA	
A3100 REMOTE CONTROL 55135070 A3100 TELECOMMANDE A3100 FERNBEDIENUNG A3100 TELECOMANDO A3100 TELEMANDO	
AM ANTENNA 55115970 ANTENNE AM AM ANTENNE ANTENNA AM ANTENA AM	
LOUDSPEAKER BOX ASSY RIGHT AND LEFT 55113320 ENCEINTE ACOUSTIQUE GAUCHE ET DROITE LAUTSPRECHERBOX RECHTS UND LINKS CASSA ACUSTICA DESTRO E SINISTRO CAJA ACUSTICA DERECHA Y IZQUIERDA	
LOUDSPEAKER BOX RIGHT 35160990 ENCEINTE ACOUSTIQUE DROITE LAUTSPRECHERBOX RECHTS CASSA ACUSTICA DESTRO CAJA ACUSTICA DERECHA	
LOUDSPEAKER BOX LEFT 35164370 ENCEINTE ACOUSTIQUE GAUCHE LAUTSPRECHERBOX LINKS CASSA ACUSTICA SINISTRO CAJA ACUSTICA IZQUIERDA	
MULTIMEDIA PACK CD ROM + CABLE 55114820 MULTIMEDIA PACK CD ROM + CABLE MULTIMEDIA PACK CD ROM + KABLE MULTIMEDIA PACK CD ROM + CAVO MULTIMEDIA PACK CD ROM + CABLE	
CINCH(2)/JACK CABLE 55049770 CORDON PRISES CINCH(2)/JACK CINCH(2)/JACK-KABEL CAVO PRESA CINCH(2)/JACK CABLE DE ENLACE CINCH(2)/JACK	
POWER SUPPLY LEAD Δ 10260820 CORDON D'ALIMENTATION NETZKABEL CAVO DI ALIMENTAZIONE CABLE DE ALIMENTACION	

**MECHANISM
MECANIQUE
MECHANIK
MECCANICA
MECANISMO**

CASSETTE MECHANISM 55107480 MECANIQUE CASSETTE CASSETTENLAUFWERK MECCANICA CASSETTA MECANISMO CASSETTE	
CD 5 DISC CHASSIS ASSY 55062750 CHASSIS CD 5 DISQUES EQUIPE CD-WECHSLER K.P.L CHASSIS CD 5 DISCOS COMPLETO CHASIS CD 5 DISCOS EQUIPADO	
TCM130-0W OPTICAL PLAYER 10663890 TCM130-0W LECTEUR OPTIQUE TCM130-0W LECTEUR OPTIQUE TCM130-0W ASSIEME OTTICA TCM130-0W MECANISMO OPTICO	
RUBBER BELT (MOTOR) D:36,5MM 55073350 COURROIE CAOUTCHOUC (MOTEUR) D:36,5MM ANTRIEBSRIEMEN (MOTOR) D:36,5MM CINGHIA DI GOMMA (MOTORE) D:36,5MM CORREA DE GOMA (MOTOR) D:36,5MM	
RUBBER BELT (TABLE) D:23MM 20710160 COURROIE CAOUTCHOUC (POS.Plateau) D:23MM ANTRIEBSRIEMEN (TELLER) D:23MM CINGHIA DI GOMMA (PIATTO) D:23MM CORREA DE GOMA (PLATO) D:23MM	
BUSH RUBBER CD FRONT 20446740 AMORTISSEUR CAOUTCHOUC CD AVANT DAEMPFER GUMMI CD VORN AMMORTIZZATORE DI GOMMA CD ANTERIORE AMORTIGUADOR DE GOMA CD DELANTERA	
BUSH RUBBER CD REAR 20365070 AMORTISSEUR CAOUTCHOUC CD ARRIERE DAEMPFER GUMMI CD HINTEN AMMORTIZZATORE DI GOMMA CD POSTERIORE AMORTIGUADOR DE GOMA CD TRASERA	

**ACCESSORIES
ACCESSOIRES
ZUBEHOER
ACCESSORI
ACCESORIOS**

LC20 CD DVD CD-ROM LENS CLEANER 35128640 LC20 NETTOYEUR DE LENTILLE CD DVD CD-ROM LC20 LINSREINIGER FÜR CD DVD CD-ROM LC20 PULITORE PER LENTI DI CD DVD CD-ROM LC20 LIMPIADOR DE LENTE CD DVD CD-ROM	
--	--



ALTIMA3100 UM TH 55130790 ALTIMA3100 NU TH ALTIMA3100 BA TH ALTIMA3100 IU TH ALTIMA3100 IU TH	
CRKD2530 SERVICE MANUAL 35158930 CRKD2530 DOCUMENTATION TECHNIQUE CRKD2530 TECHNISCHE DOKUMENTATION CRKD2530 DOCUMENTAZIONE TECNICA CRKD2530 DOCUMENTACION TECNICA	
A3100 PARTS LIST 35158920 A3100 LISTE DE PIECES DETACHEES A3100 ERSATZTEILLISTE A3100 LISTA PARTI DI RICAMBIO A3100 LISTA DE PIEZAS DE REPUESTO	

**CHASSIS AND PRESENTATION
CHASSIS ET PRESENTATION
CHASSIS UND GEHAEUSETEILE
TELAIO E DI PRESENTAZIONE
CHASIS Y PRESENTACION**

AMPL	AMPLI BOARD AMPLI PLATINE AMPLI PLATTE AMPLI PIASTRA AMPLI PLATINA	55107240
CDM5	CD 5 DISC CHASSIS ASSY CHASSIS CD 5 DISQUES EQUIPE CD-WECHSLER K.P.L CHASSIS CD 5 DISCOS COMPLETO CHASIS CD 5 DISCOS EQUIPADO	55062750
MAIN	MAIN BOARD MAIN PLATINE MAIN PLATTE MAIN PIASTRA MAIN PLATINA	55107250
060	SIDE PANEL LEFT PANNEAU LATERAL GAUCHE SEITENTEIL LINKS PANNELLO LATERALE SINISTRO PANEL LATERAL IZQUIERDO	55123620
070	SIDE PANEL RIGHT PANNEAU LATERAL DROIT SEITENTEIL RECHTS PANNELLO LATERALE DESTRO PANEL LATERAL DERECHO	55123560
080	REAR PANEL PANNEAU ARRIERE SEITENTEIL HINTEN PANNELLO POSTERIORE PANEL POSTERIOR	55112980
090	UPPER CASE ASSY COFFRET SUPERIEUR GEHAEUSE OBEN CASSA SUPERIORE CAJA SUPERIOR	55110500

**CHASSIS AND PRESENTATION 2
CHASSIS ET PRESENTATION 2
CHASSIS UND GEHAEUSETEILE 2
TELAIO E DI PRESENTAZIONE 2
CHASIS Y PRESENTACION 2**

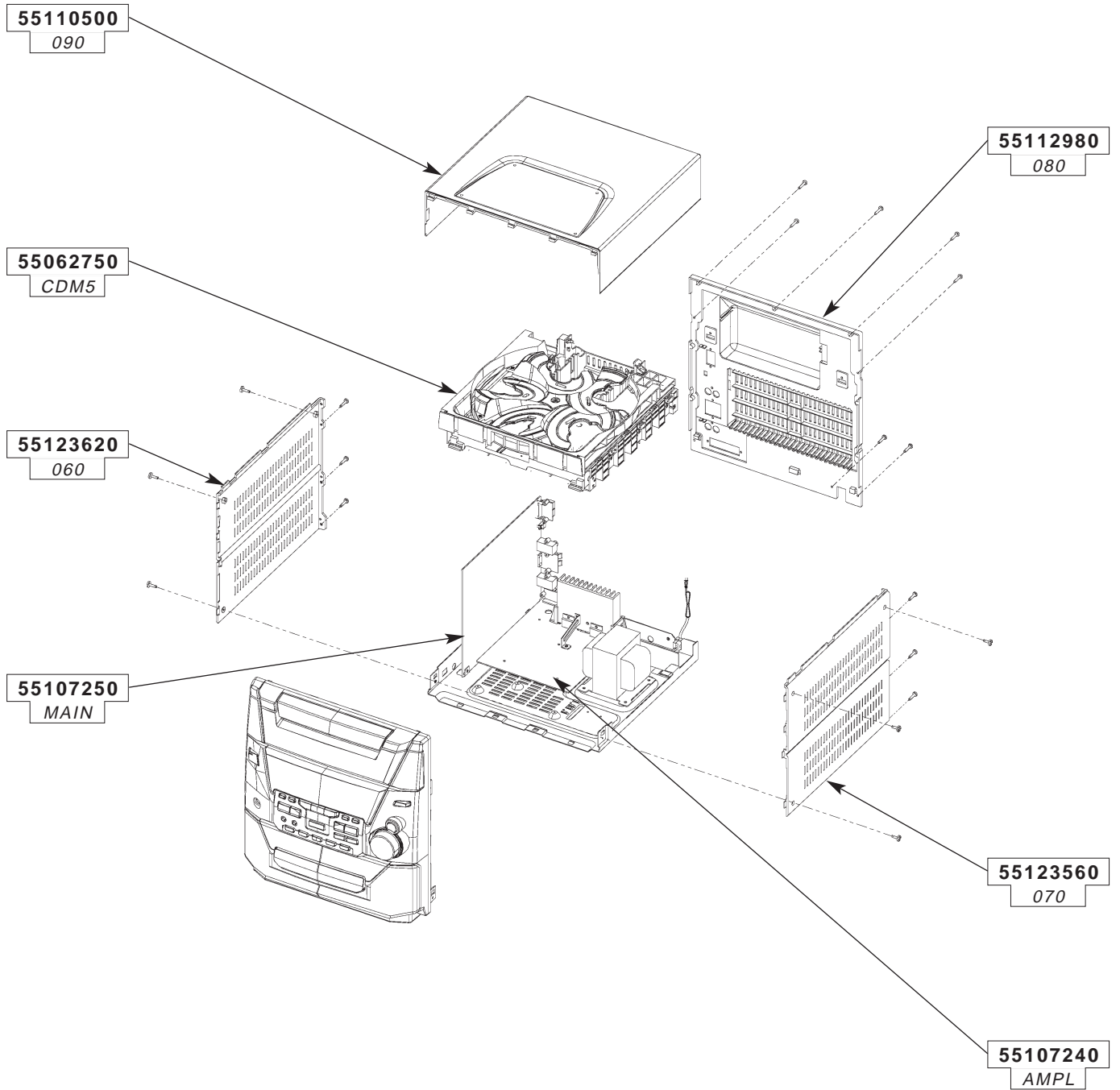
KDB	DISPLAY/CONTROL BOARD DISPLAY/CONTROL PLATINE DISPLAY/CONTROL PLATTE DISPLAY/CONTROL PIASTRA DISPLAY/CONTROL PLATINA	55107260
RCPB	CASSETTE BOARD CASSETTE PLATINE CASSETTE PLATTE CASSETTE PIASTRA CASSETTE PLATINA	55107230
040	FRONT PANEL FACADE FRONTPLATTE PANNELLO FRONTALE PANEL FRONTAL	55153640
100	CASSETTE FLAP DOOR LEFT VOLET CASSETTE GAUCHE CASSETTENKLAPPE LINKS SPORTELO CASSETTA SINISTRO TAPA CASSETTE IZQUIERDO	55132390
110	CASSETTE FLAP DOOR RIGHT VOLET CASSETTE DROIT CASSETTENKLAPPE RECHTS SPORTELO CASSETTA DESTRO TAPA CASSETTE DERECHO	55132400
120	CD DOOR VOLET CD CD Klappe SPORTELO CD TAPA CD	55110720
220	VOLUME KNOB BOUTON VOLUME LAUTSTAERKEKNOPF ROTELLA DI PLASTICA VOLUME RUEDA PLASTICA MANDO VOLUMEN	55111090
230	BUTTON STRIP 13 KEYS BARRETTE DE 13 TOUCHES TASTENLEISTE 13 TASTE PIATTINA 13 TASTI PLACA DE 13 TECLAS	55146530
235	BUTTON STRIP DISC CD BARRETTE DE TOUCHES SELECTION DISQUE TASTENLEISTE AUSWAHL LASERPLATTE PIATTINA TASTI SELEZIONE DEL DISCOS PLACA DE TECLAS SELECCION DE DISCOS	55146540
240	BUTTON STRIP ROCK-EQ-JAZZ BARRETTE TOUCHES 3T ROCK-EQ-JAZZ TASTENLEISTE ROCK-EQ-JAZZ PIATTINA TASTI 3T ROCK-EQ-JAZZ PLACA DE TECLAS 3T ROCK-EQ-JAZZ	55111010
250	B.BOOST BUTTON TOUCHE B.BOOST TASTE B.BOOST TASTO B.BOOST TECLA B.BOOST	55111030
260	DIMMER/DEMO BUTTON TOUCHE DIMMER/DEMO TASTE DIMMER/DEMO TASTO DIMMER/DEMO TECLA DIMMER/DEMO	55111050
270	ON/OFF BUTTON TOUCHE MARCHÉ/ARRET EIN-AUS TASTE TASTO ACCESO/SPENTO TECLA MARCHA/PARADA	55111070
280	BUTTON B.BOOST/VOLUME RING BAGUE TOUCHE B.BOOST/VOLUME TASTE B.BOOST/VOLUME RING TASTO B.BOOST/VOLUME ANELLO TECLA B.BOOST/VOLUME ANILLO	55153620

290	CONTROL PANEL TABLEAU DE COMMANDES BEDIENTEIL QUADRO DI COMANDO TABLERO DE MANDO	55110610
300	UPPER FLAP VOLET SUPERIEUR OBEN KLAPPE SPORTELO SUPERIORE TAPA SUPERIOR	55153570
350	CASSETTE FLAP WINDOW LEFT GLACE VOLET CASSETTE GAUCHE FENSTER CASSETTENKLAPPE LINKS VETRO SPORTELO CASSETTA SINISTRO CRISTAL TAPA CASSETTE IZQUIERDO	55153120
360	CASSETTE FLAP WINDOW RIGHT GLACE VOLET CASSETTE DROIT FENSTER CASSETTENKLAPPE RECHTS VETRO SPORTELO CASSETTA DESTRO CRISTAL TAPA CASSETTE DERECHA	55153130
400	UPPER CASE WINDOW GLACE COFFRET SUPERIEUR FENSTER GEHAEUSE OBEN VETRO DEL CASSA SUPERIORE CRISTAL DEL CAJA SUPERIOR	55132620
420	DISPLAY WINDOW GLACE AFFICHEUR ANZEIGEFENSTER VETRO DEL VISUALIZZATORE CRISTAL DEL VISUALIZADOR	55113040
430	TRAY CD WINDOW GLACE VOLET CD FENSTER CD Klappe VETRO DEL SPORTELO CD CRISTAL DEL TAPA CD	55113090
440	CRYSTAL B.BOOST GLACE B.BOOST FENSTER B.BOOST VETRO B.BOOST CRISTAL B.BOOST	55153160
450	CRYSTAL X-SURROUND GLACE X-SURROUND FENSTER X-SURROUND VETRO X-SURROUND CRISTAL X-SURROUND	55153180
485	CASSETTE HOLDER LEFT PORTE CASSETTE GAUCHE CASSETTENHALTER LINKS PORTACASSETTA SINISTRO PORTACASSETTE IZQUIERDO	55116880
490	CASSETTE HOLDER RIGHT PORTE CASSETTE DROIT CASSETTENHALTER RECHTS PORTACASSETTA DESTRO PORTACASSETTE DERECHO	55116890
520	SPRING TORSION CASSETTE LEFT RESSORT VOLET CASSETTE GAUCHE NADELFEDER CASSETTENKLAPPE LINKS MOLLA PORTACASSETTA SINISTRO RESORTE PORTACASSETTE IZQUIERDO	55113720
530	SPRING TORSION CASSETTE RIGHT RESSORT VOLET CASSETTE DROIT NADELFEDER CASSETTENKLAPPE RECHTS MOLLA PORTACASSETTA DESTRO RESORTE PORTACASSETTE DERECHO	55113730
580	CASSETTE DOOR DAMPER GEAR ROUE DENTEE PORTE CASSETTE ZAHNRAD CASSETTENHALTER RUOTA DENTATA PORTACASSETTA RUEDA DENTADA PORTACASSETTE	10039140
590	CASSETTE MECHANISM MECANIQUE CASSETTE CASSETTENLAUFWERK MECCANICA CASSETTA MECANISMO CASSETTE	55107480

**CD MECHANISM
MECANIQUE CD
CD MECHANIK
MECCANISMO CD
MECANICA CD**

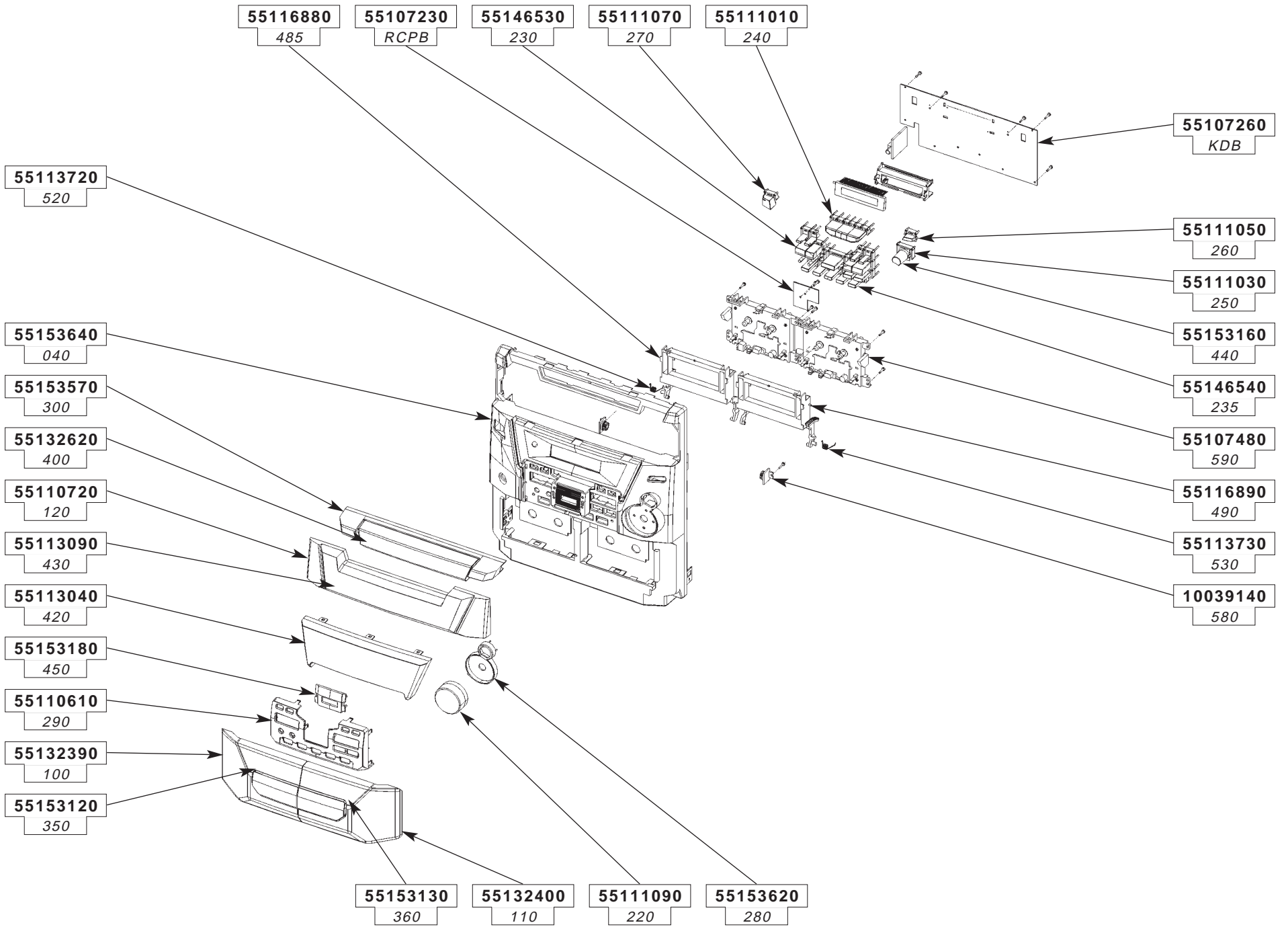
03	SPRING RESSORT FEDER MOLLA RESORTE	20979850
04	GEAR MAIN ROUE DENTEE PRINCIPALE HAUPT-ZAHNRAD RUOTA DENTATA PRINCIPAL RUEDA DENTADA PRINCIPALE	20979800
05	GEAR PIVOT ENGRENAJE PIVOT ZAHNRAD DREHPUNKT PIGNONE PERNO PINON PIVOTE	20979830
06	DUAL GEAR WHEEL DOUBLE ROUE DENTEE DOPPELT ZAHNRAD DOPPIO RUOTA DENTATA DOBLE RUEDA DENTADA	20979760
07	SWING ARM BRAS PIVOT ARM,DREHPUNKT BRACCIO PERNO BRAZO PIVOTE	20979940
09	GEAR CLUTCH ROUE D'EMBRAYAGE RAD KUPPLUNG RUOTA DI FRIZIONE RUEDA DE EMBRAGUE	20979750
10	SLIDING ROLLER PATIN GLISSANT RUTSCHIG ROLL PATTINO SCIVOLOSO PATIN RESBALADIZO	20979950
11	GEAR WHEEL ROUE DENTEE ZAHNRAD RUOTA DENTATA RUEDA DENTADA	20979790
12	DUAL GEAR DOUBLE ENGRENAJE DOPPELT ZAHNRAD DOPPIO PIGNONE DOBLE PINON	20979770
13	INTERMEDIATE GEAR WHEEL POULIE INTERMEDIAIRE DENTEE ZWISCHENZAHNRAD PULEGGIA INTERMEDIA DENTATA POLEA INTERMEDIA DENTADA	20979840
14	MOTOR PULLEY TRAY/TABLE CD POULIE MOTEUR TIROIR/PLATEAU CD MOTORROLLE SCHUBLADE/TELLER CD PULEGGIA DEL MOTORE CASSETTO/ PIATTO CD POLEA DE MOTOR CORREDERA/PLATO CD	20979870
15	GUIDE RAIL GUIDE RAIL FUEHRUNGSSCHIENE EINFAEDELN CONTROROTAIA CONTRACARRIL	20979740
16	MAIN GEAR TORSION SPRING RESSORT A EPINGLE ROUE PRINCIPALE HAUPT-ZAHNRAD NADELFEDER MOLLA DI TORSIONE RUOTA PRINCIPAL RESSORTE HORQUILLA RUEDA PRINCIPALE	20979810
17	OPTICAL PLAYER BRACKET SUPPORT LECTEUR OPTIQUE CD-LAUFWERK HALTER SUPPORTO ASSIEME OTTICA SOPORTE MECANISMO OPTICO	20979970

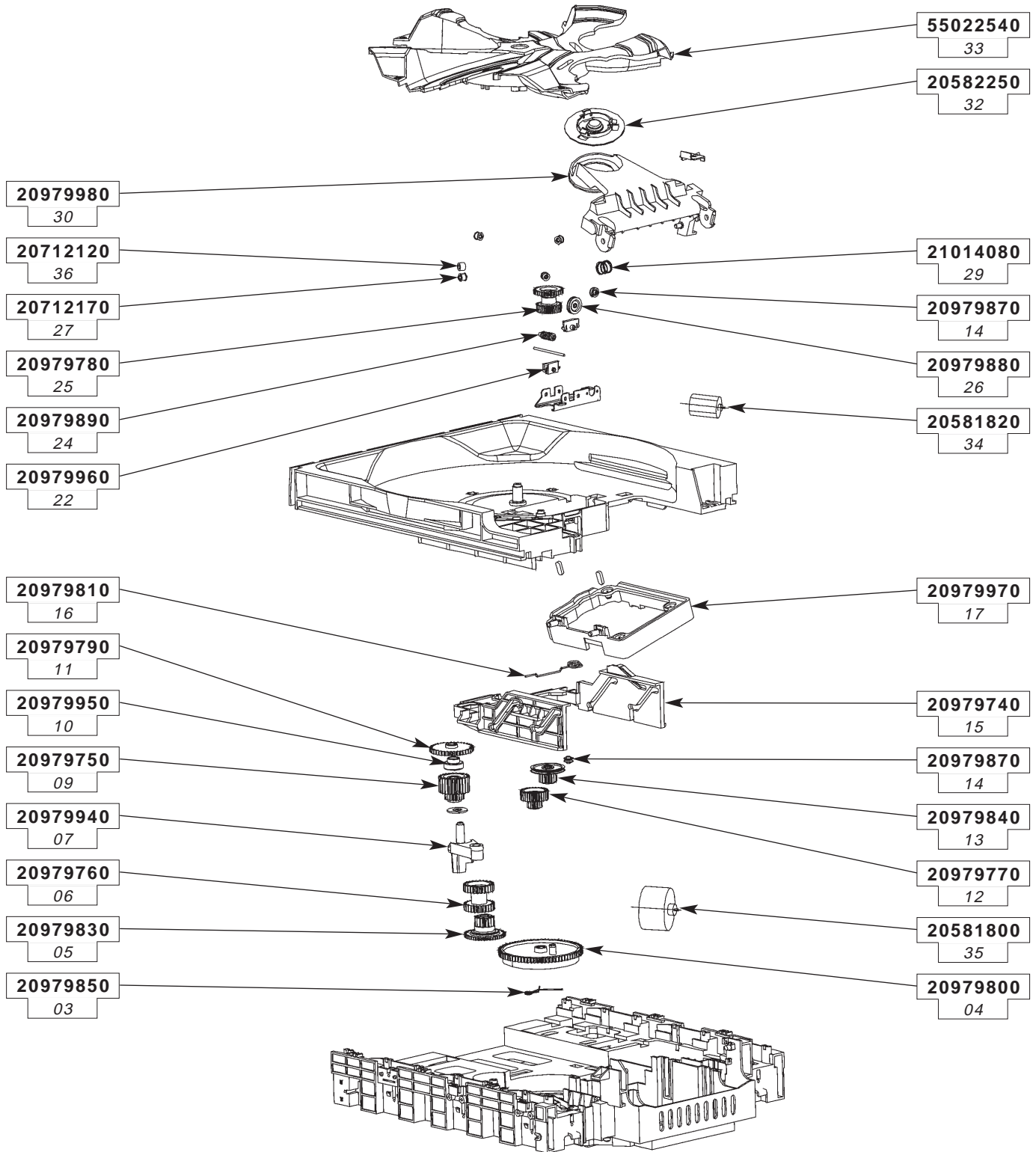
22	THREADED END-FITTING EMBOUT PLASTIQUE MUFFENTUELLE GHIERA DI PLASTICA CONTERA PLASTICA	20979960
24	INTERMEDIATE SPINDLE AXE INTERMEDIAIRE ZWISCHENACHSE SPINOTTO INTERMEDIO EJE INTERMEDIO	20979890
25	DUAL GEAR WHEEL DOUBLE ROUE DENTEE DOPPELT ZAHNRAD DOPPIO RUOTA DENTATA DOBLE RUEDA DENTADA	20979780
26	PULLEY POULIE ROLLE PULEGGIA POLEA	20979880
27	RUBBER ROLLER BRACKET SUPPORT GALET CAOUTCHOUC GUMMIROLLE HALTER SUPPORTO RULLO DI GOMMA SOPORTE RODILLO DE GOMA	20712170
29	SPRING RESSORT SPRUNGFEDER MOLLA MUELLE	21014080
30	ARM, PLASTIC BRAS PLASTIQUE ARM, KUNSTSTOFF BRACCIO IN PLASTICA BRAZO PLASTICO	20979980
32	HOLDER MAGNET SUPPORT AIMANT HALTER MAGNET SUPPORTO MAGNETE SOPORTE IMAN	20582250
33	TABLE 5 CD PLATEAU 5 CD TELLER 5 CD PIATTO 5 CD PLATO 5 CD	55022540
34	FF-130SH-14230 MOTOR DC FF-130SH-14230 MOTEUR DC FF-130SH-14230 MOTOR DC FF-130SH-14230 MOTORE DC FF-130SH-14230 MOTOR DC	20581820
35	RF-500TB MOTOR DC RF-500TB MOTEUR DC RF-500TB MOTOR DC RF-500TB MOTORE DC RF-500TB MOTOR DC	20581800
36	RUBBER ROLLER GALET CAOUTCHOUC GUMMIROLLE RULLO DI GOMMA RODILLO DE GOMA	20712120



**CHASSIS AND PRESENTATION / CHASSIS ET PRESENTATION / CHASSIS UND GEHAEUSETEILE /
TELAIO E DI PRESENTAZIONE / CHASIS Y PRESENTACION**

CHASSIS AND PRESENTATION 2 / CHASSIS ET PRESENTATION 2 / CHASSIS UND GEHAEUSETEILE 2 /
TELAIO E DI PRESENTAZIONE 2 / CHASIS Y PRESENTACION 2





**CD MECHANISM / MECANIQUE CD / CD MECHANIK /
MECCANISMO CD / MECANICA CD**

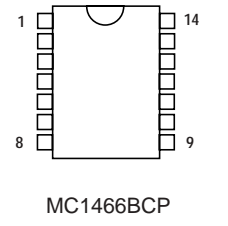
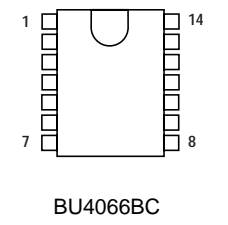
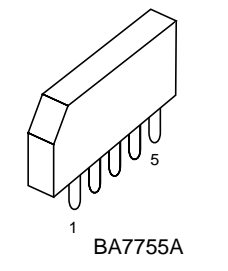
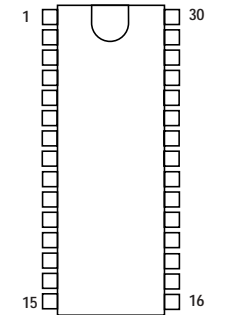
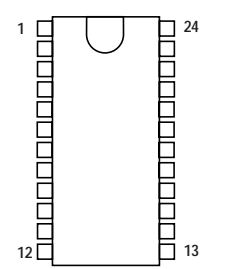
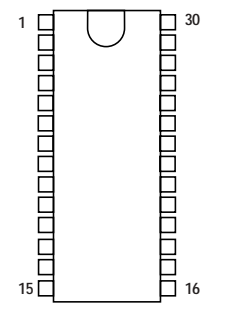
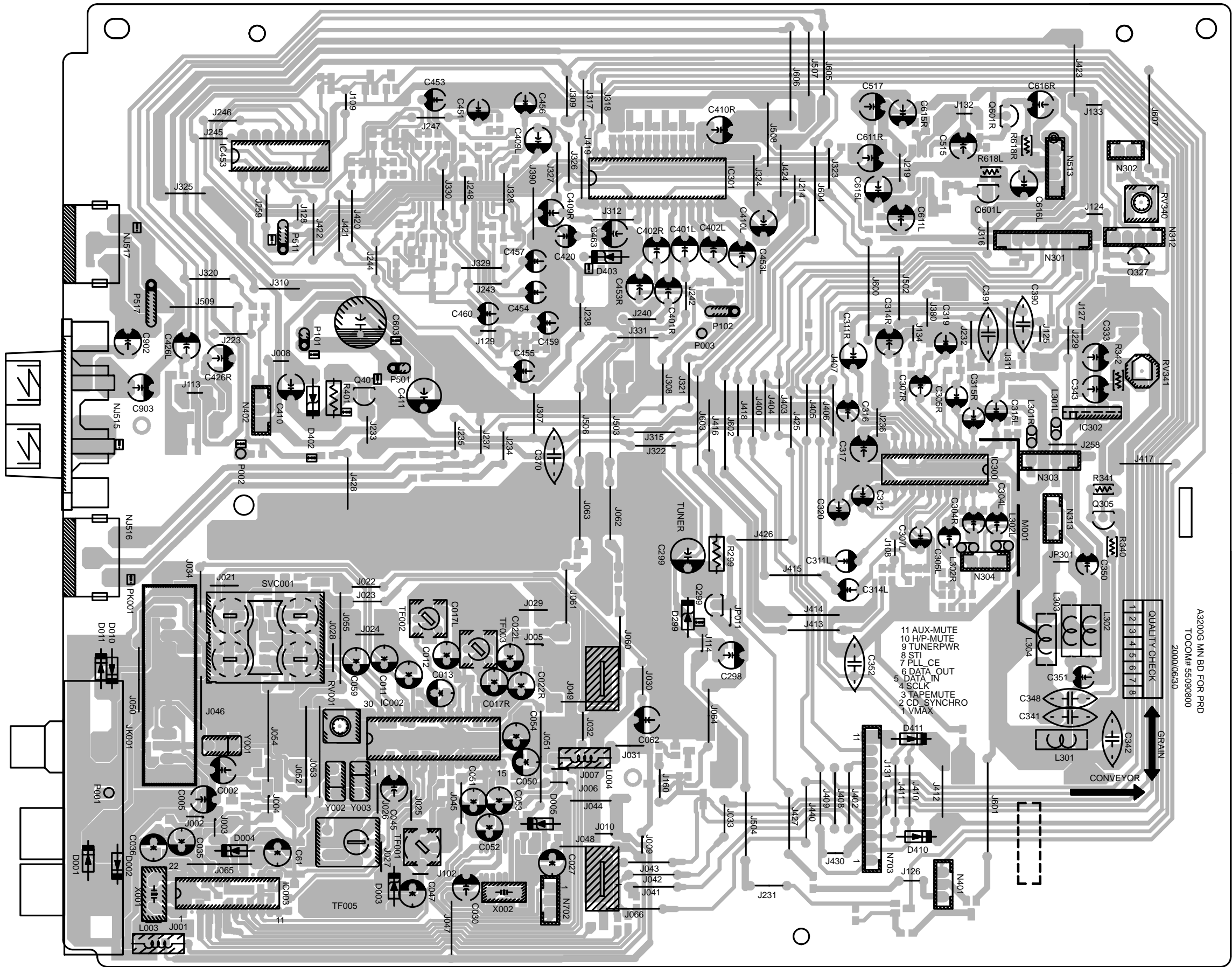
A3100

7/7

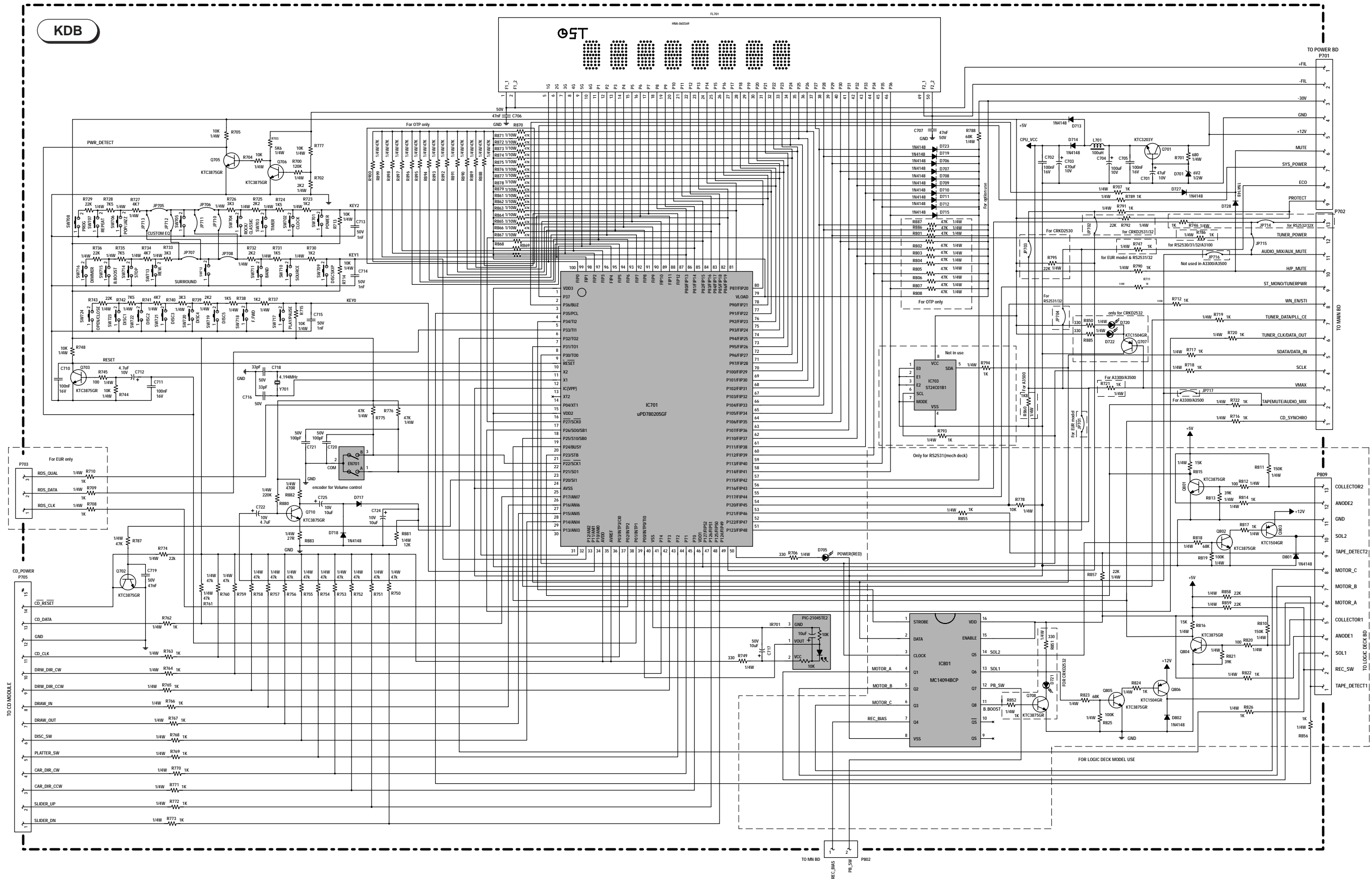
The description and characteristics given here are of informative significance only, and non committal. To keep up the high quality of our products, we reserve the right to make any changes or improvement without previous notice. • Les descriptions et caractéristiques figurant sur ce document sont données à titre d'information et non d'engagement. En effet, soucieux de la qualité de nos produits, nous nous réservons le droit d'effectuer, sans préavis, toute modification ou amélioration. • Die Beschreibungen und Daten in dieser Anleitung dienen nur zur Information und sind nicht bindend. Um die Qualität unserer Produkte ständig zu verbessern, behalten wir uns das Recht auf Änderungen vor. • Le descrizioni e le caratteristiche date su questo documento sono fornite a semplice titolo informativo e senza impegno. Ci riserviamo il diritto di eseguire, senza preavviso, qualsiasi modifica o miglioramento. • Las descripciones y características que figuran en este documento se dan a título de información y no de compromiso. En efecto, en bien de la calidad de nuestros productos, nos reservamos el derecho de efectuar, sin previo aviso, cualquier modificación o mejora.

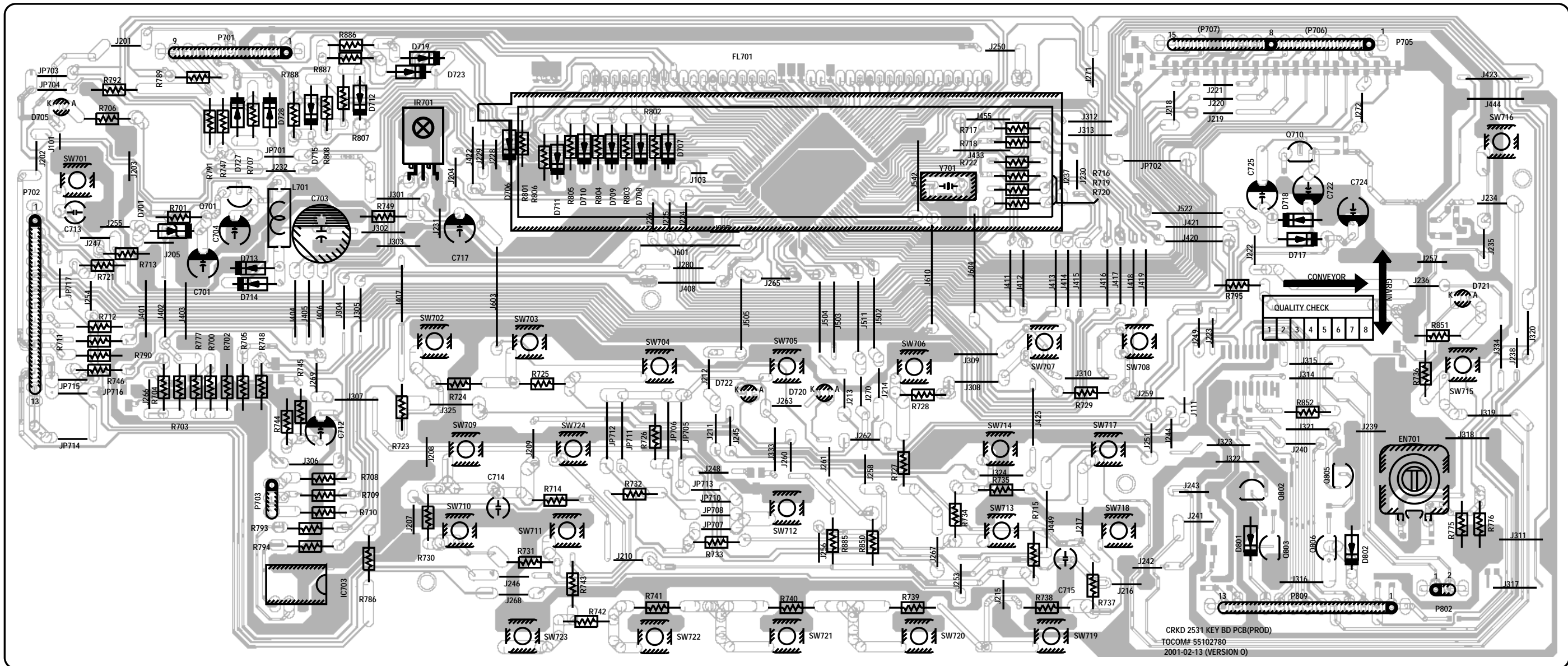
Main P.C.B.
Platine principale
Grundplatte
Piastra principale
Platina principal

Component side
 Côté composants
 Bestückungsseite
 Lato componenti
 Lado componentes



CONTROL / DISPLAY SCHEMATIC DIAGRAM - SCHEMA COMMANDES / AFFICHEUR - SCHALTBILD BEDIENTEIL / ANZEIGE - SCHEMA COMANDI / INDICATORE - ESQUEMA MANDOS / INDICADOR





CRKD 2531 KEY BD PCB(PROD)
 TOCOM# 55102780
 2001-02-13 (VERSION 0)

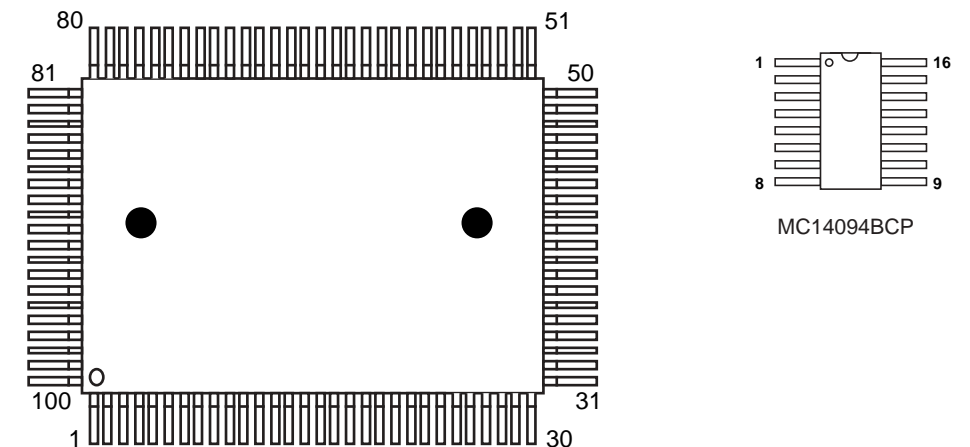
Comp Name	P702	JP703 & R795	JP704	R722 & R716	R721	JP701	JP714	JP715	JP716	R746	R747	R786	JP702 & R792	JP717
A3100	9 pins (P4 to P12)	✓	X	X	X	✓	X	X	✓	X	✓	✓	X	X
A3100G	8 pins (P4 to P11)	✓	X	X	X	✓	X	X	✓	X	✓	X	X	X
A3300	9 pins (P2 to P10)	X	X	X	✓	✓	X	X	X	X	✓	X	✓	✓
A3500	10 pins (P2 to P11)	X	X	X	✓	✓	X	✓	X	✓	✓	X	✓	✓

MODEL	LOCATION	D706	Function	LOCATION	D723	Function	Model	Magic Demo (For logic deck model)
A3100		0	Bass Boost		0			A3100
A3300 A3500		1	Sub-woofer		1			A3300 A3500

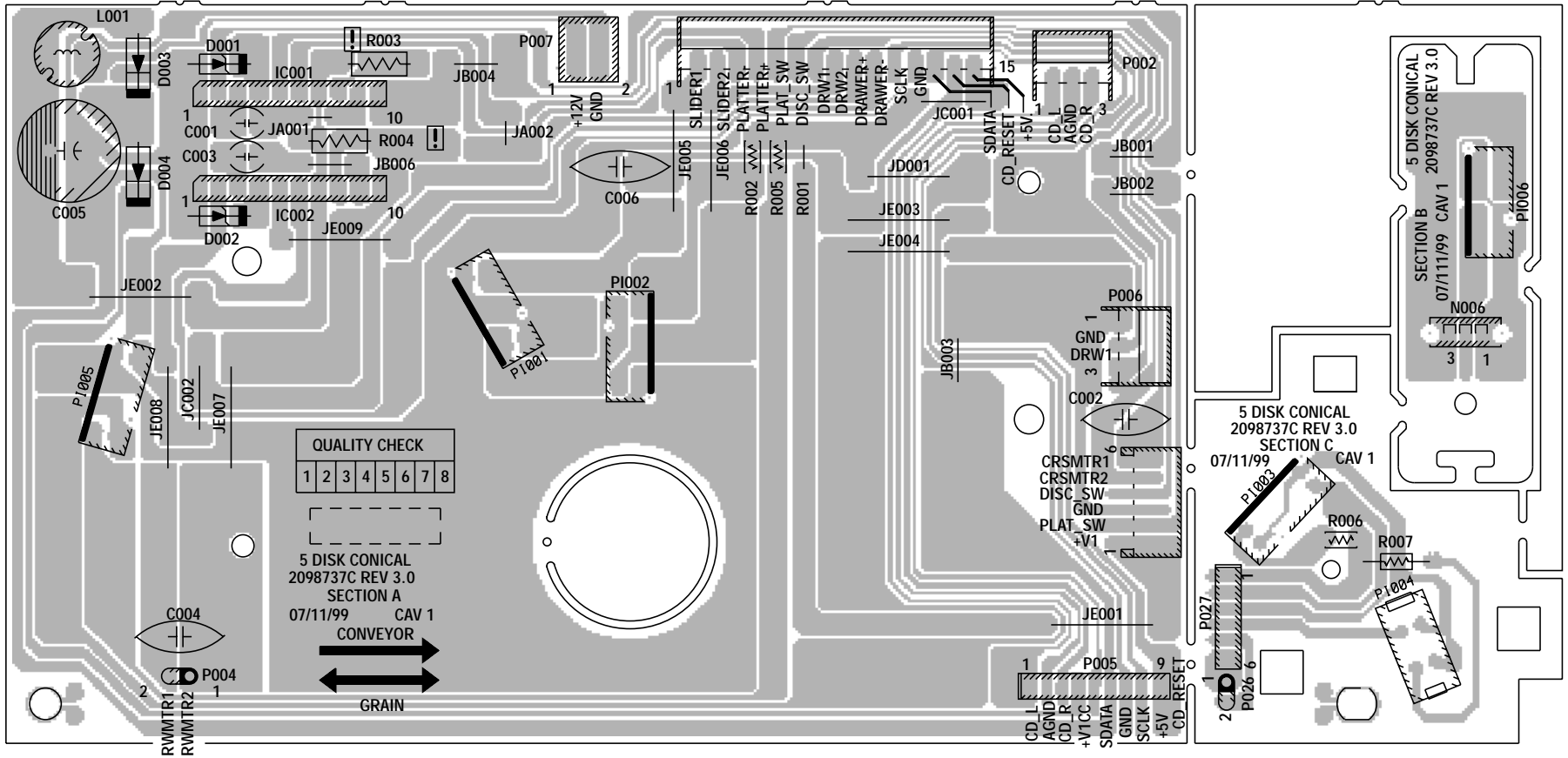
D707	D708	D709	D710	D711
9K/10K	50K/200K	RDS	LW	24/12HRS

(Only for tuner TEA5757)

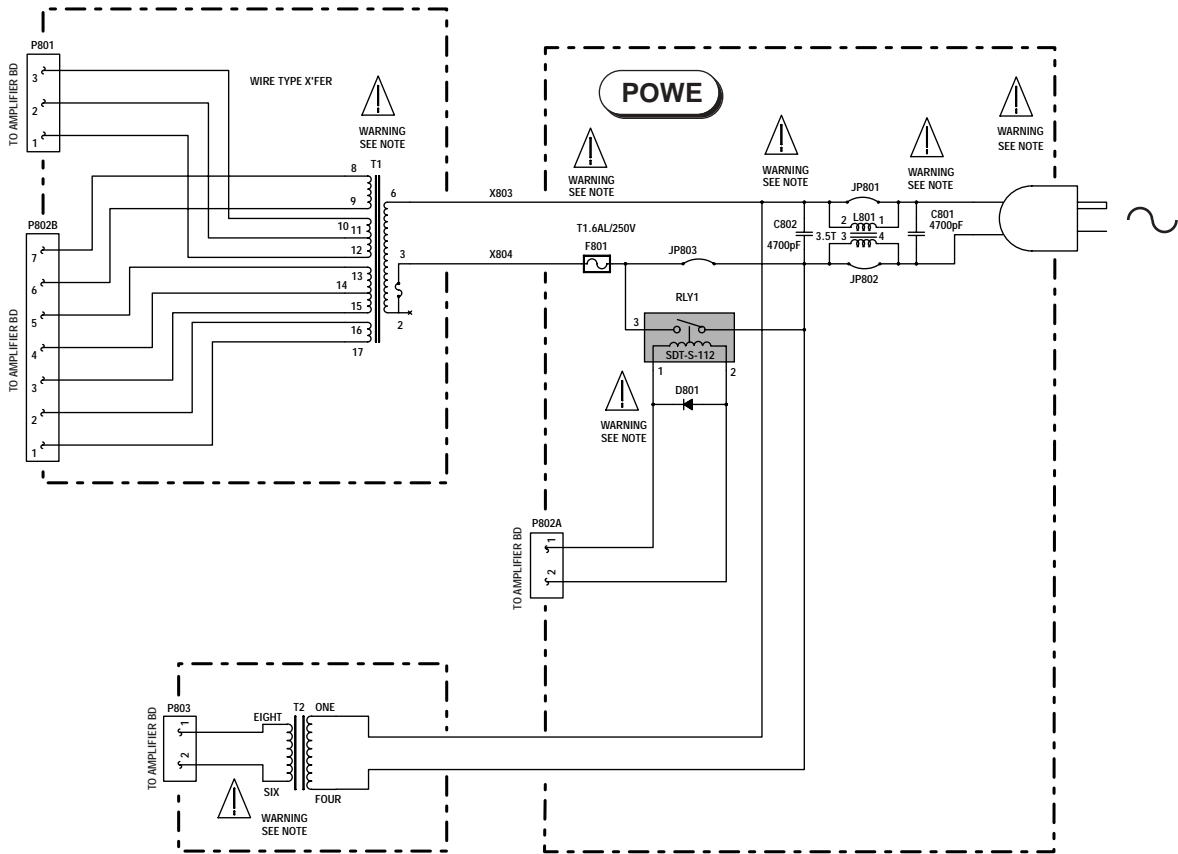
VERSION	LOCATION	D712	D715
1st rate		0	0
2nd rate		0	1
3rd rate		1	0
poor rate		1	1



CD control P.C.B.
 Platine commandes CD
 Ltpl. CD Bedienteil
 Piastra comandi CD
 Platina de mandos CD

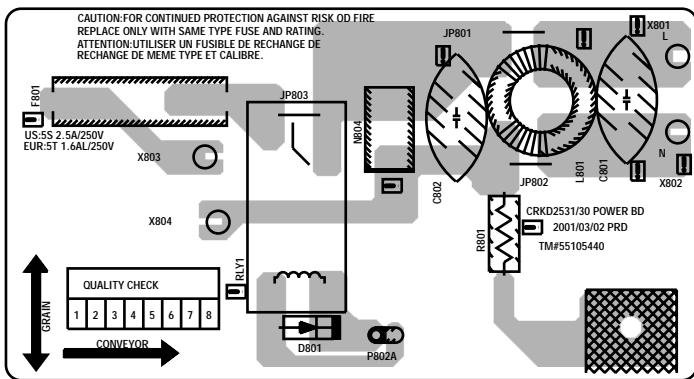


POWER SUPPLY SCHEMATIC DIAGRAM - SCHEMA DE L'ALIMENTATION - SCHALTBILD NETZTEIL - SCHEMA DELL' ALIMENTAZIONE - ESQUEMA DE LA ALIMENTACIÓN

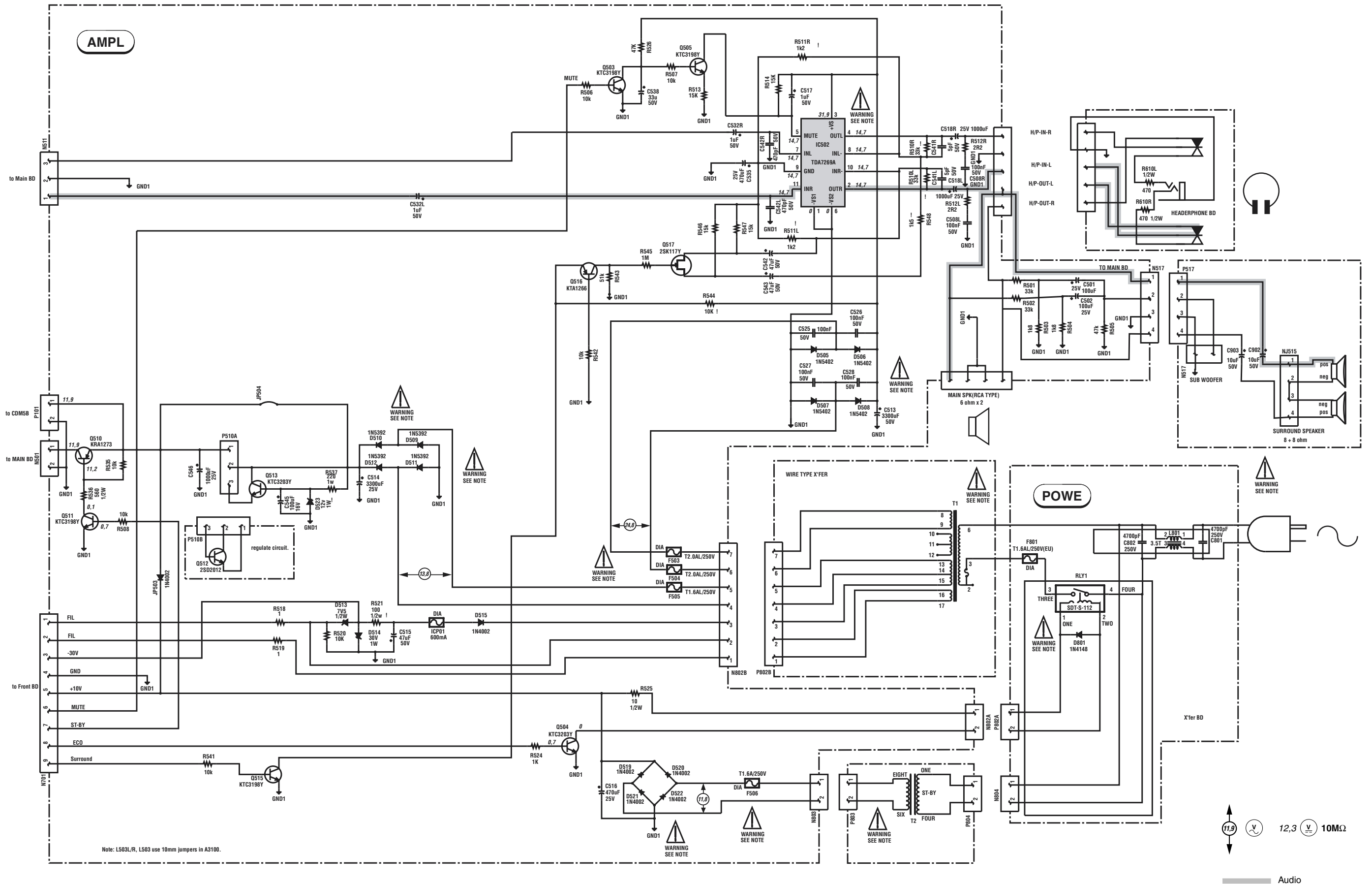


Power unit P.C.B.
Platine secteur
Netzanschluss Ltpl.
Piastra di rete
Platina de red

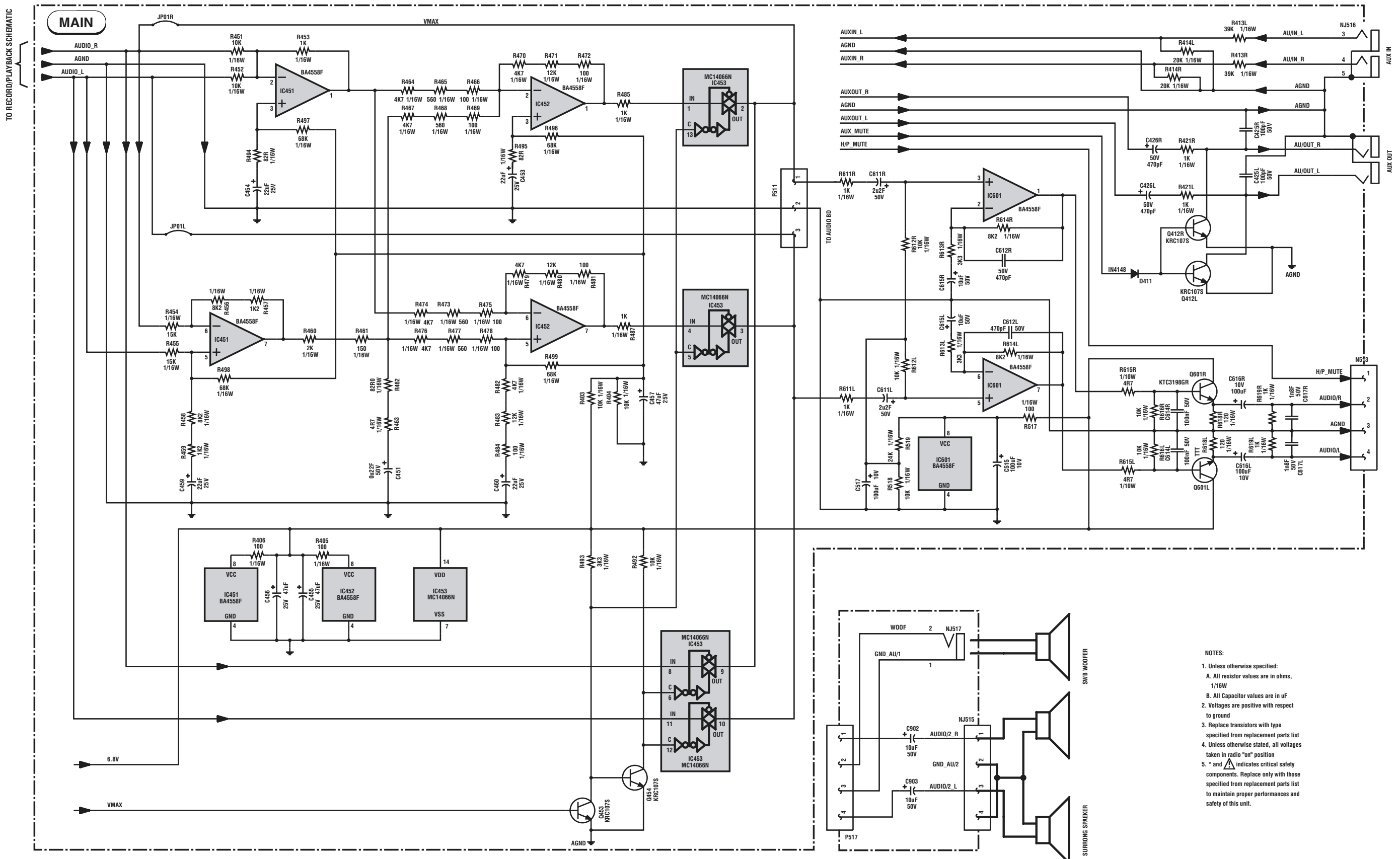
Component side
 Côté composants
 Bestückungsseite
 Lato componenti
 Lado componentes



AMPLIFIER AND POWER SUPPLY SCHEMATIC DIAGRAM - SCHEMA DE L'AMPLIFICATEUR ET DE L'ALIMENTATION - SCHALTBILD ENDVERSTÄRKER UND NETZTEIL - SCHEMA DEL AMPLIFICATORE E DELL' ALIMENTAZIONE - ESQUEMA DEL AMPLIFICADOR Y DE LA ALIMENTACIÓN

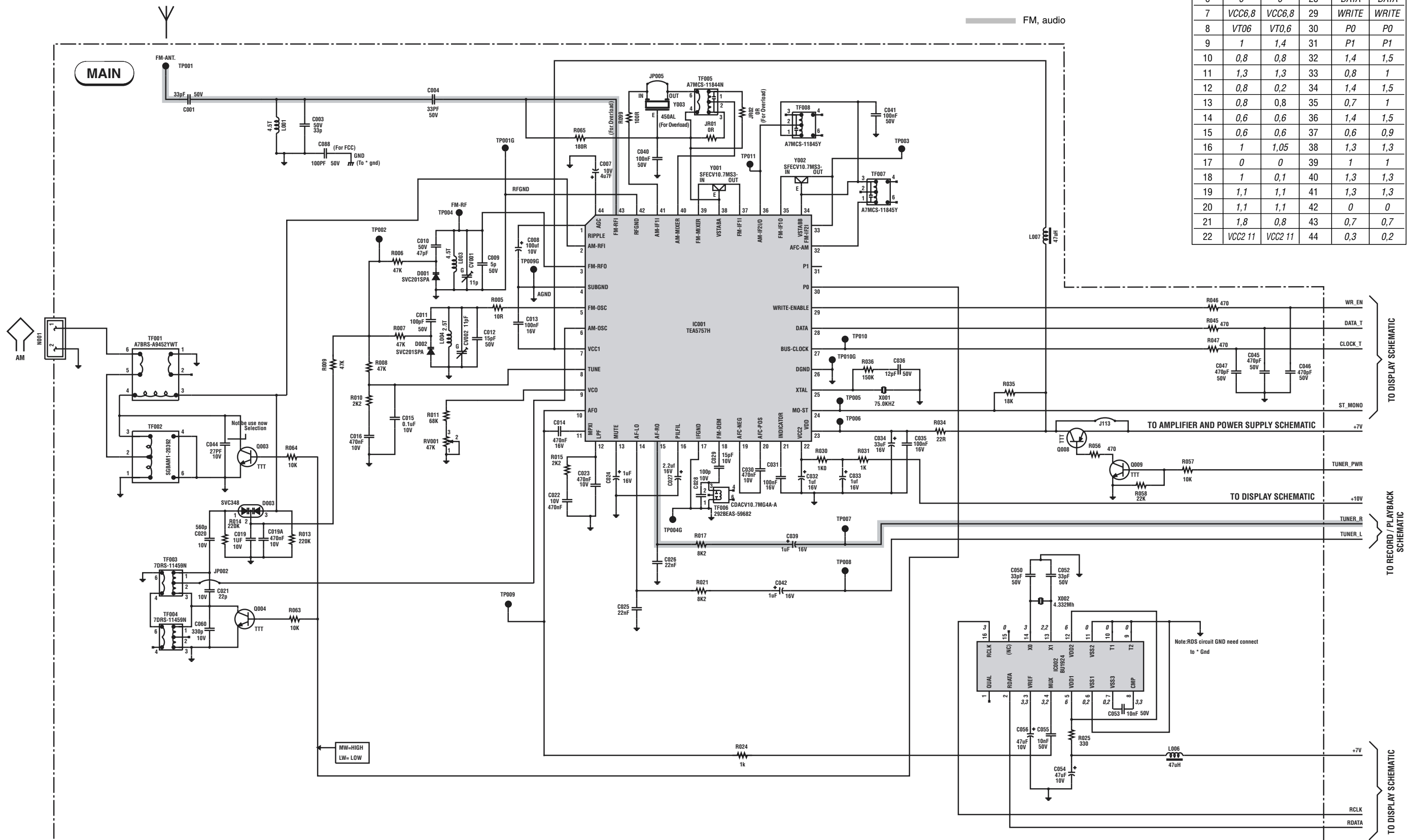


AUDIO INPUT/OUTPUT SCHEMATIC DIAGRAM - SCHEMA DES ENTREES/SORTIES AUDIO - SCHALTBILD AUDIO EINGÄNGEN/AUSGÄNGEN - SCHEMA INGRESSI/USCITE AUDIO - ESQUEMA ENTRADAS/SALIDADES AUDIO



- NOTES:**
1. Unless otherwise specified:
 A. All resistor values are in ohms, 1/16W
 B. All Capacitor values are in uF
 2. Voltages are positive with respect to ground
 3. Replace transistors with type specified from replacement parts list
 4. Unless otherwise stated, all voltages taken in radio "on" position
 5. * and Δ indicates critical safety components. Replace only with those specified from replacement parts list to maintain proper performances and safety of this unit.

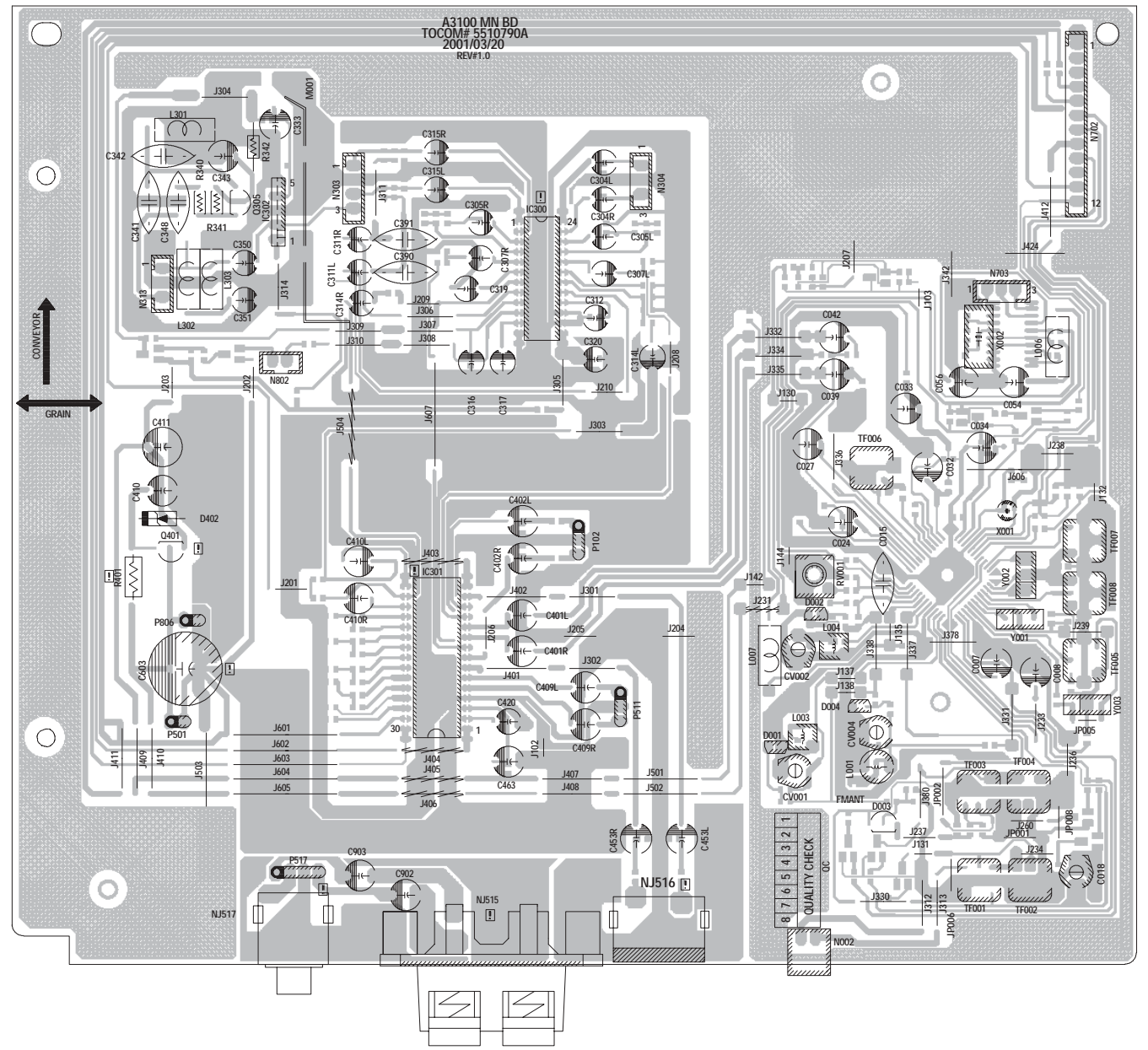
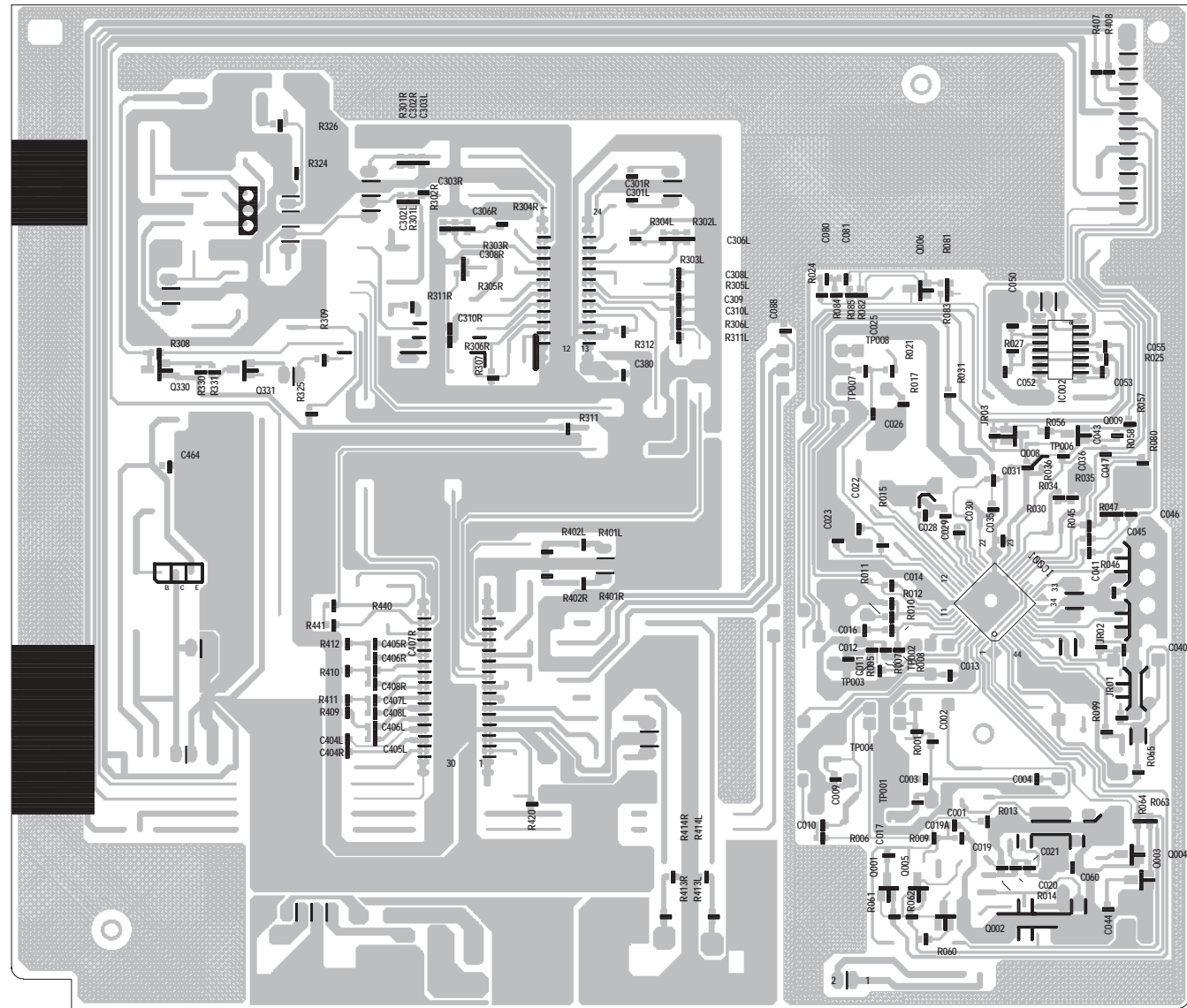
RF / FI SCHEMATIC DIAGRAM - SCHEMA HF / FI - SCHALTBILD HF / ZF - SCHEMA HF / FI - ESQUEMA RF / FI

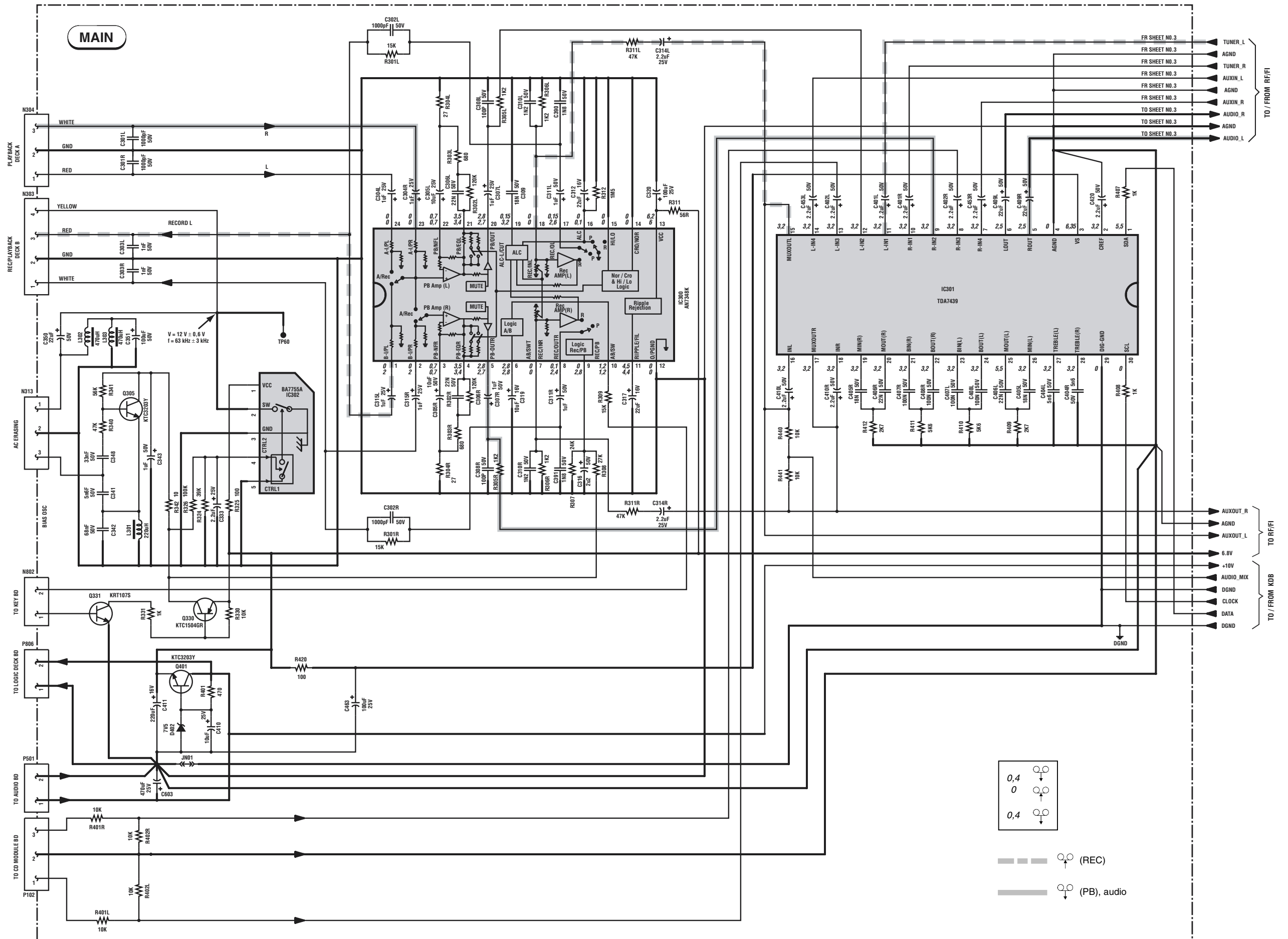


IC001	FM	AM	FM	AM
1	2,1	2,1	23	VDD6,7 VDD6,7
2	0	0	24	6,1(MONO) 6,1(MONO)
3	0	0	25	1,4 1,4
4	AGND0	0	26	0 0
5	0	0	27	CLOCK CLOCK
6	0	0	28	DATA DATA
7	VCC6,8	VCC6,8	29	WRITE WRITE
8	VT06	VT0,6	30	P0 P0
9	1	1,4	31	P1 P1
10	0,8	0,8	32	1,4 1,5
11	1,3	1,3	33	0,8 1
12	0,8	0,2	34	1,4 1,5
13	0,8	0,8	35	0,7 1
14	0,6	0,6	36	1,4 1,5
15	0,6	0,6	37	0,6 0,9
16	1	1,05	38	1,3 1,3
17	0	0	39	1 1
18	1	0,1	40	1,3 1,3
19	1,1	1,1	41	1,3 1,3
20	1,1	1,1	42	0 0
21	1,8	0,8	43	0,7 0,7
22	VCC2 11	VCC2 11	44	0,3 0,2

Component side
 Côté composants
 Bestückungsseite
 Lato componenti
 Lado componentes

Solder side
 Côté cuivre
 Lötseite
 Lato saldature
 Lado del cobre





Main P.C.B.
 Platine principale
 Grundplatte
 Piastra principale
 Platina principal

Component side
 Côté composants
 Bestückungsseite
 Lato componenti
 Lado componentes

