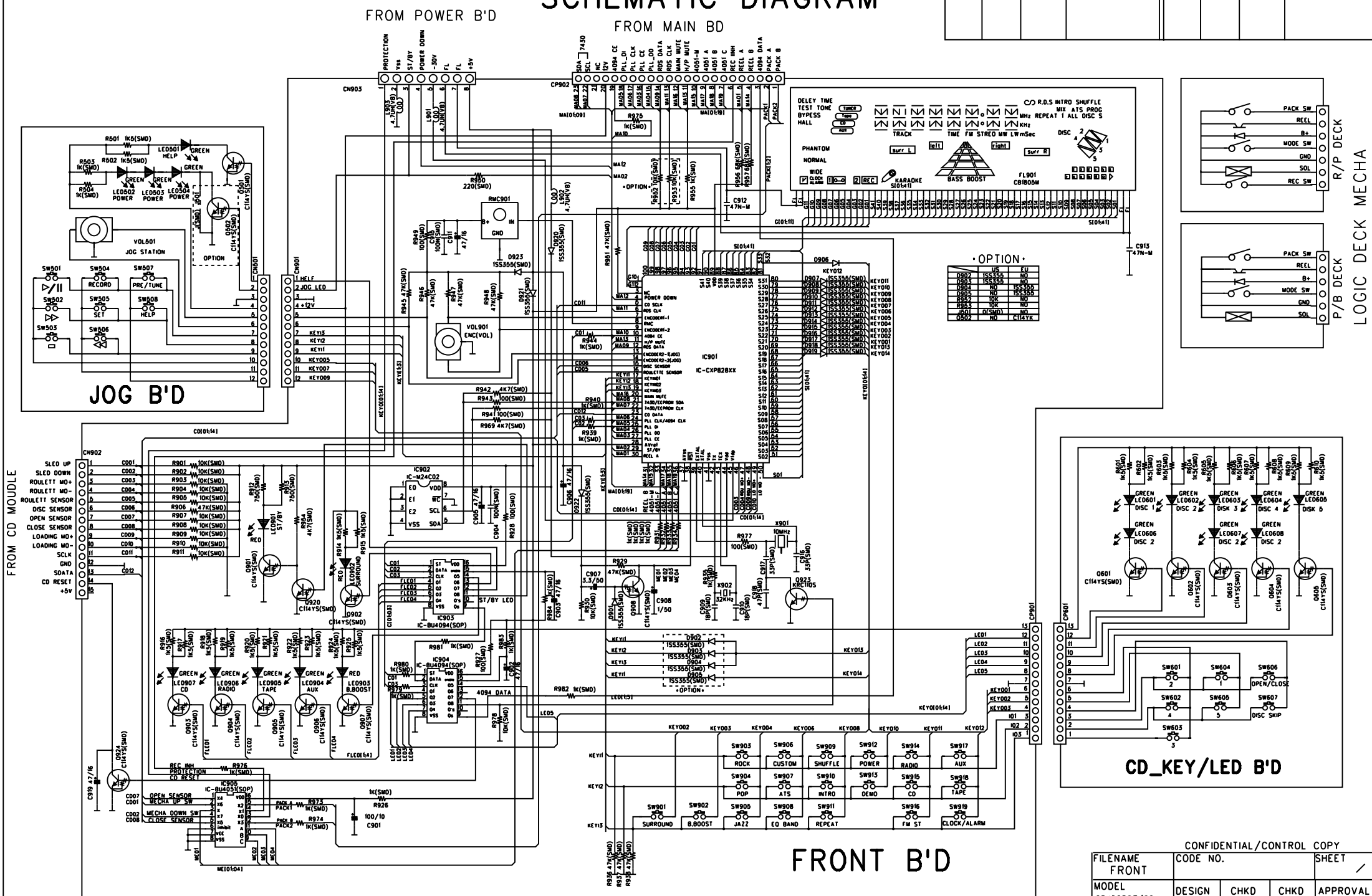


SCHEMATIC DIAGRAM

NO	DATE	POS.	CONTENTS	NO	DATE	POS.	CONTENTS



• OPTION •

NO	US	EU
0902	ISS355	NO
0903	ISS355	NO
0904	ISS355	NO
0905	ISS355	NO
0906	ISS355	NO
0907	ISS355	NO
0908	ISS355	NO
0909	ISS355	NO
0910	ISS355	NO
0911	ISS355	NO
0912	ISS355	NO
0913	ISS355	NO
0914	ISS355	NO
0915	ISS355	NO
0916	ISS355	NO
0917	ISS355	NO
0918	ISS355	NO
0919	ISS355	NO
0920	ISS355	NO
0921	ISS355	NO
0922	ISS355	NO
0923	ISS355	NO
0924	ISS355	NO
0925	ISS355	NO
0926	ISS355	NO
0927	ISS355	NO
0928	ISS355	NO
0929	ISS355	NO
0930	ISS355	NO
0931	ISS355	NO
0932	ISS355	NO
0933	ISS355	NO
0934	ISS355	NO
0935	ISS355	NO
0936	ISS355	NO
0937	ISS355	NO
0938	ISS355	NO
0939	ISS355	NO
0940	ISS355	NO
0941	ISS355	NO
0942	ISS355	NO
0943	ISS355	NO
0944	ISS355	NO
0945	ISS355	NO
0946	ISS355	NO
0947	ISS355	NO
0948	ISS355	NO
0949	ISS355	NO
0950	ISS355	NO
0951	ISS355	NO
0952	ISS355	NO
0953	ISS355	NO
0954	ISS355	NO
0955	ISS355	NO
0956	ISS355	NO
0957	ISS355	NO
0958	ISS355	NO
0959	ISS355	NO
0960	ISS355	NO
0961	ISS355	NO
0962	ISS355	NO
0963	ISS355	NO
0964	ISS355	NO
0965	ISS355	NO
0966	ISS355	NO
0967	ISS355	NO
0968	ISS355	NO
0969	ISS355	NO
0970	ISS355	NO
0971	ISS355	NO
0972	ISS355	NO
0973	ISS355	NO
0974	ISS355	NO
0975	ISS355	NO
0976	ISS355	NO
0977	ISS355	NO
0978	ISS355	NO
0979	ISS355	NO
0980	ISS355	NO
0981	ISS355	NO
0982	ISS355	NO
0983	ISS355	NO
0984	ISS355	NO
0985	ISS355	NO
0986	ISS355	NO
0987	ISS355	NO
0988	ISS355	NO
0989	ISS355	NO
0990	ISS355	NO
0991	ISS355	NO
0992	ISS355	NO
0993	ISS355	NO
0994	ISS355	NO
0995	ISS355	NO
0996	ISS355	NO
0997	ISS355	NO
0998	ISS355	NO
0999	ISS355	NO
1000	ISS355	NO

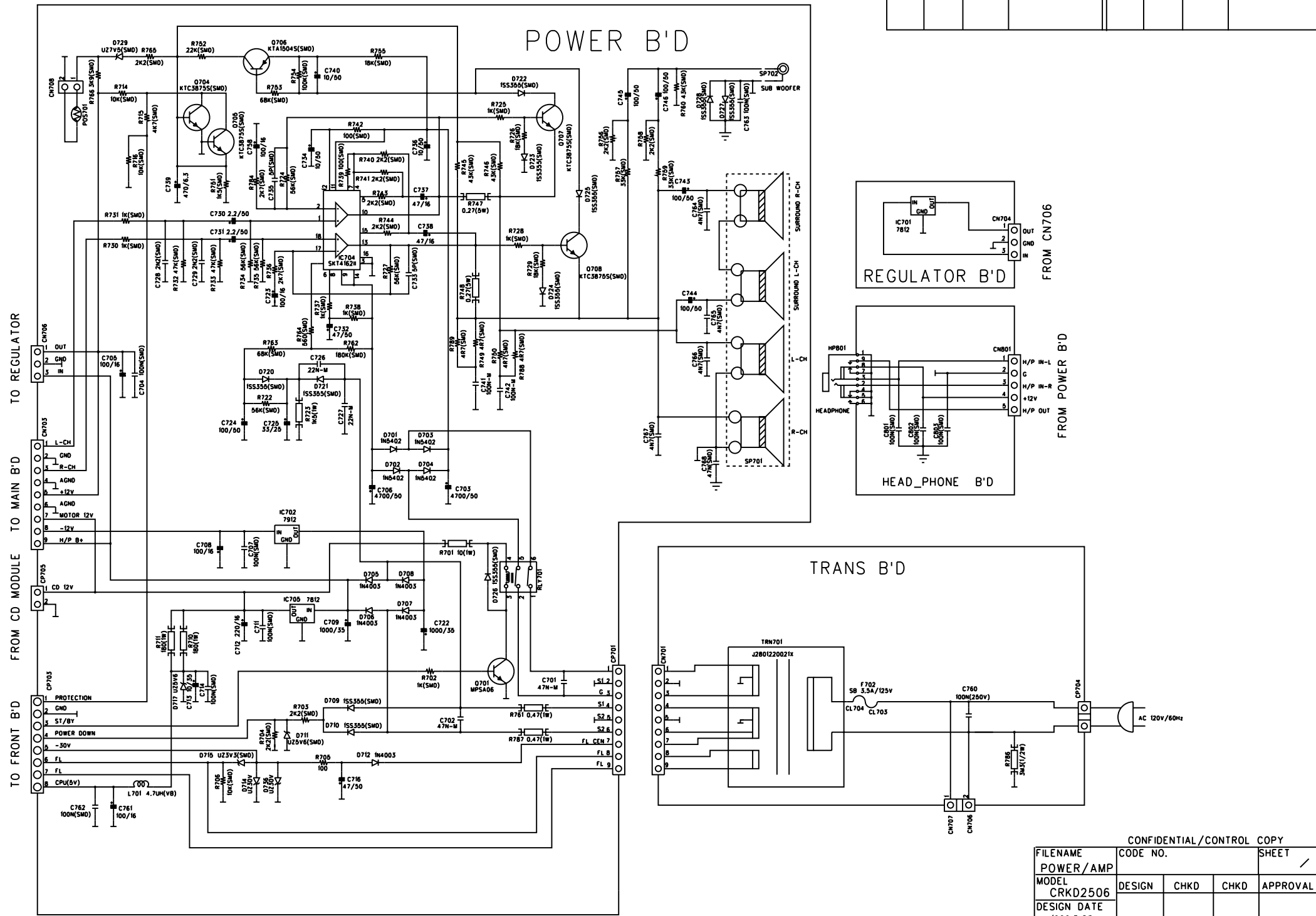
FRONT B'D

CONFIDENTIAL/CONTROL COPY

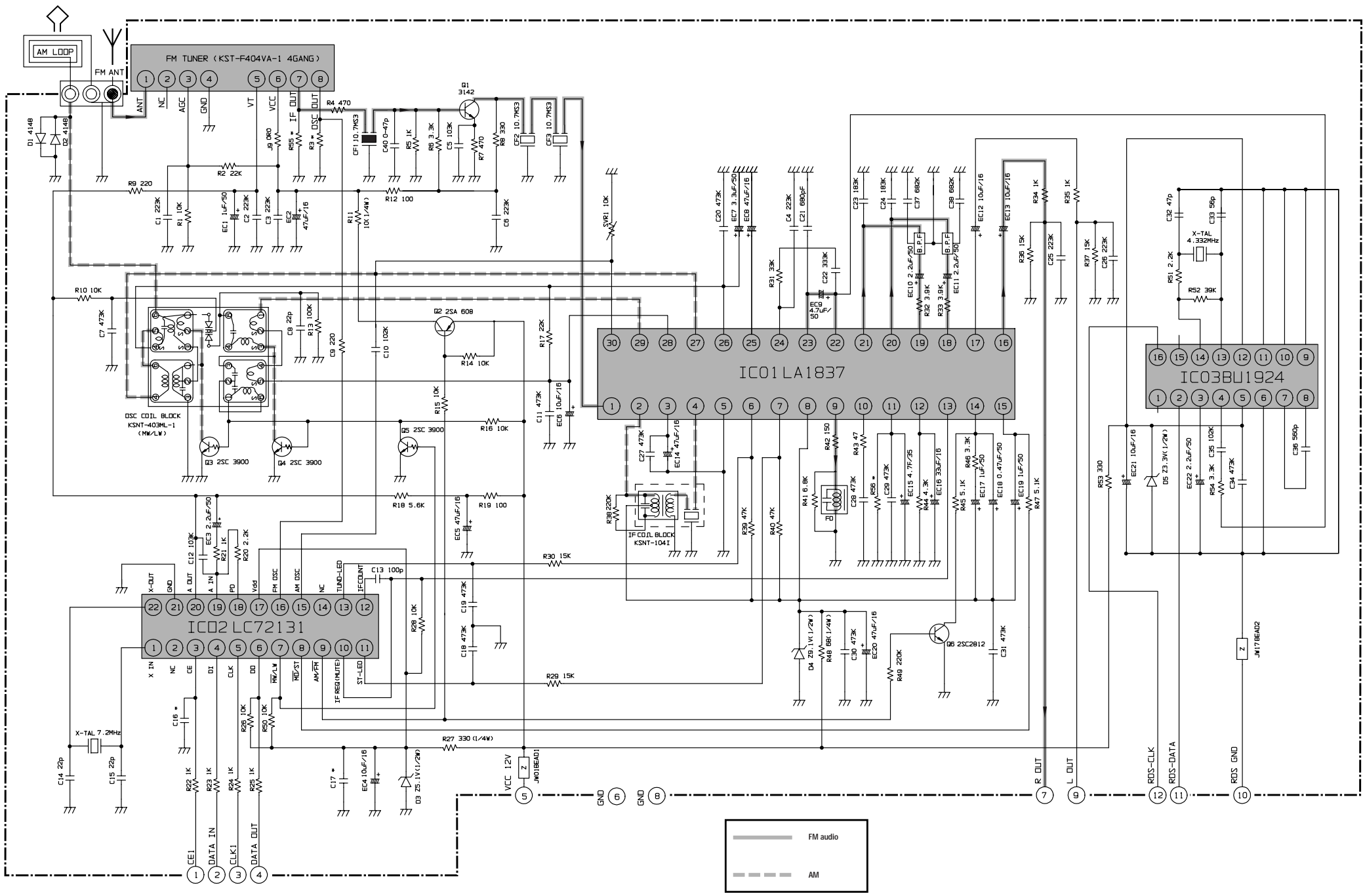
FILENAME	CODE NO.	SHEET
FRONT		
MODEL	DESIGN	CHKD
CRKD2503/06		
DESIGN DATE		
1999.5.28		

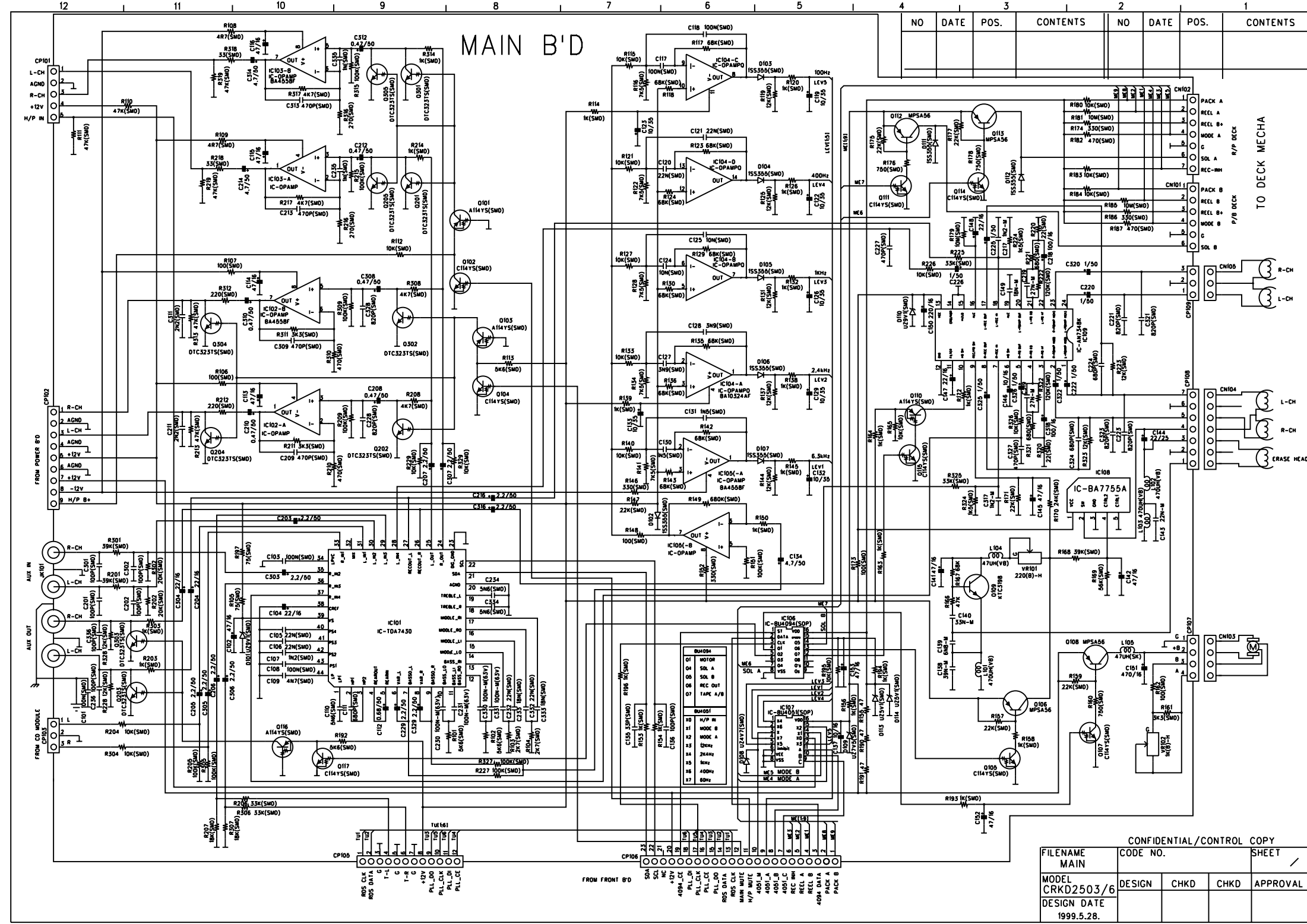
SCHEMATIC DIAGRAM

NO	DATE	POS.	CONTENTS	NO	DATE	POS.	CONTENTS



CONFIDENTIAL/CONTROL COPY				
FILENAME	CODE NO.	SHEET		
POWER/AMP		/		
MODEL		DESIGN	CHKD	APPROVAL
CRKD2506				
DESIGN DATE				
1999.5.28.				





NO	DATE	POS.	CONTENTS	NO	DATE	POS.	CONTENTS

FILENAME	CODE NO.	SHEET	
MAIN			
MODEL	DESIGN	CHKD	APPROVAL
CRKD2503/6			
DESIGN DATE			
1999.5.28			