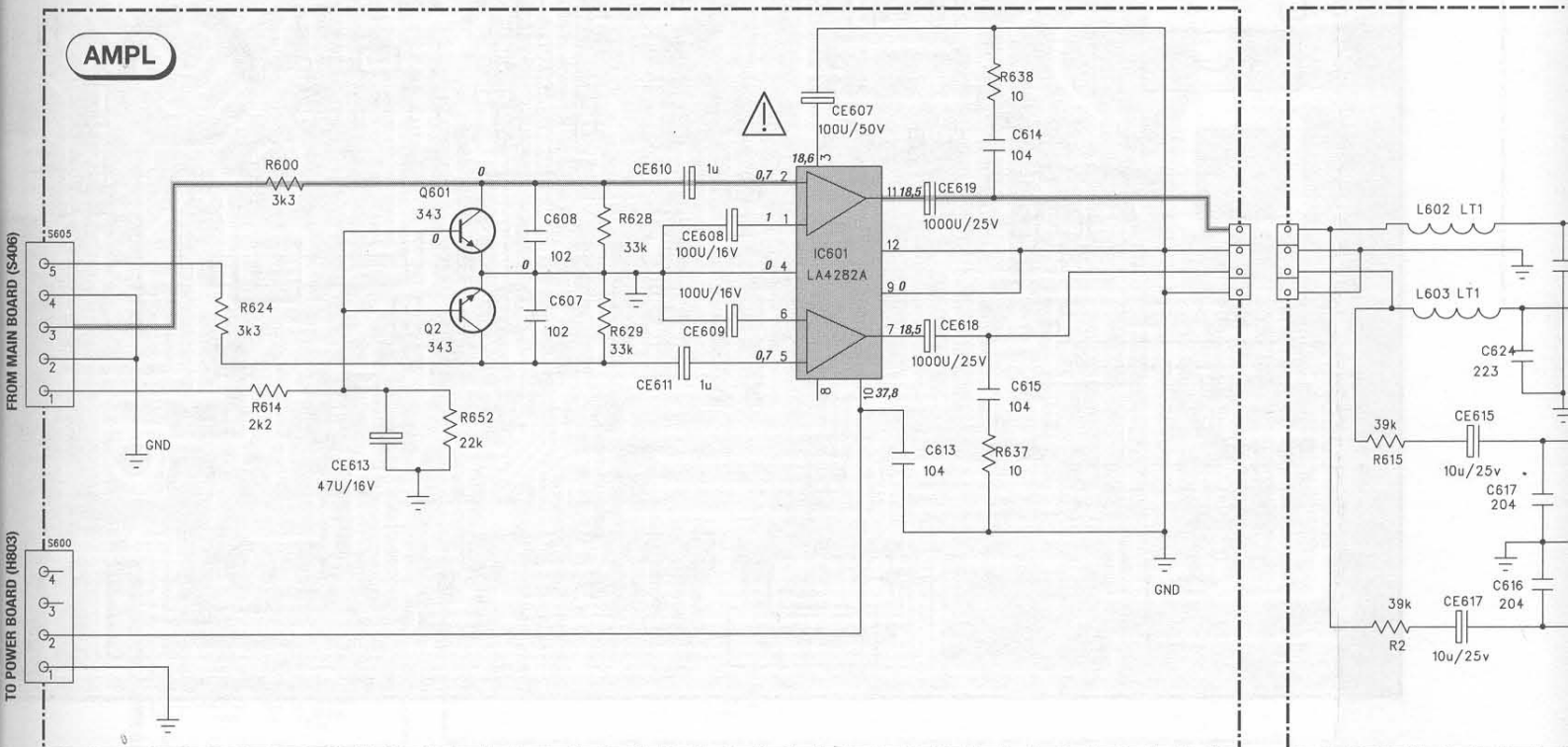
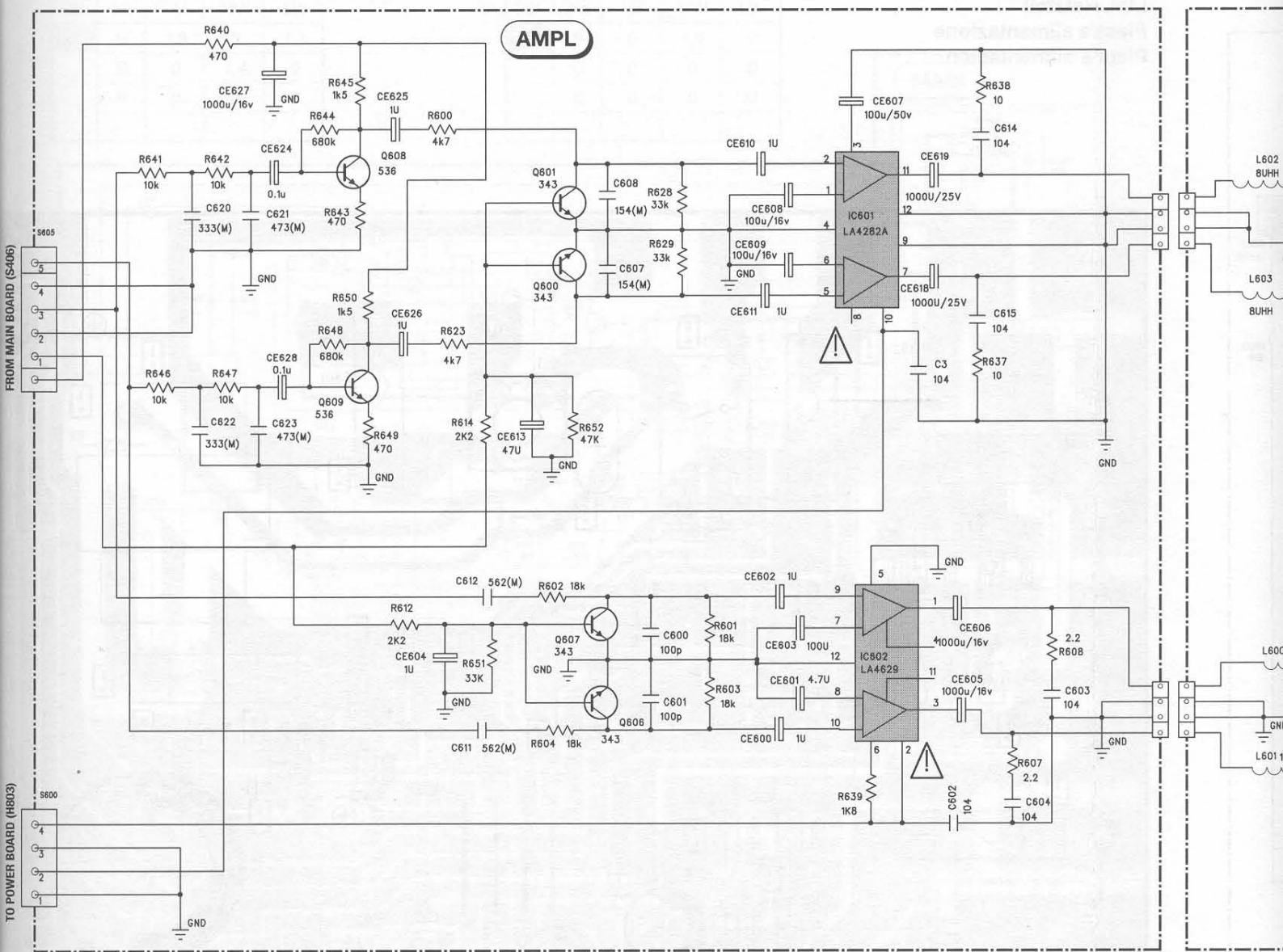
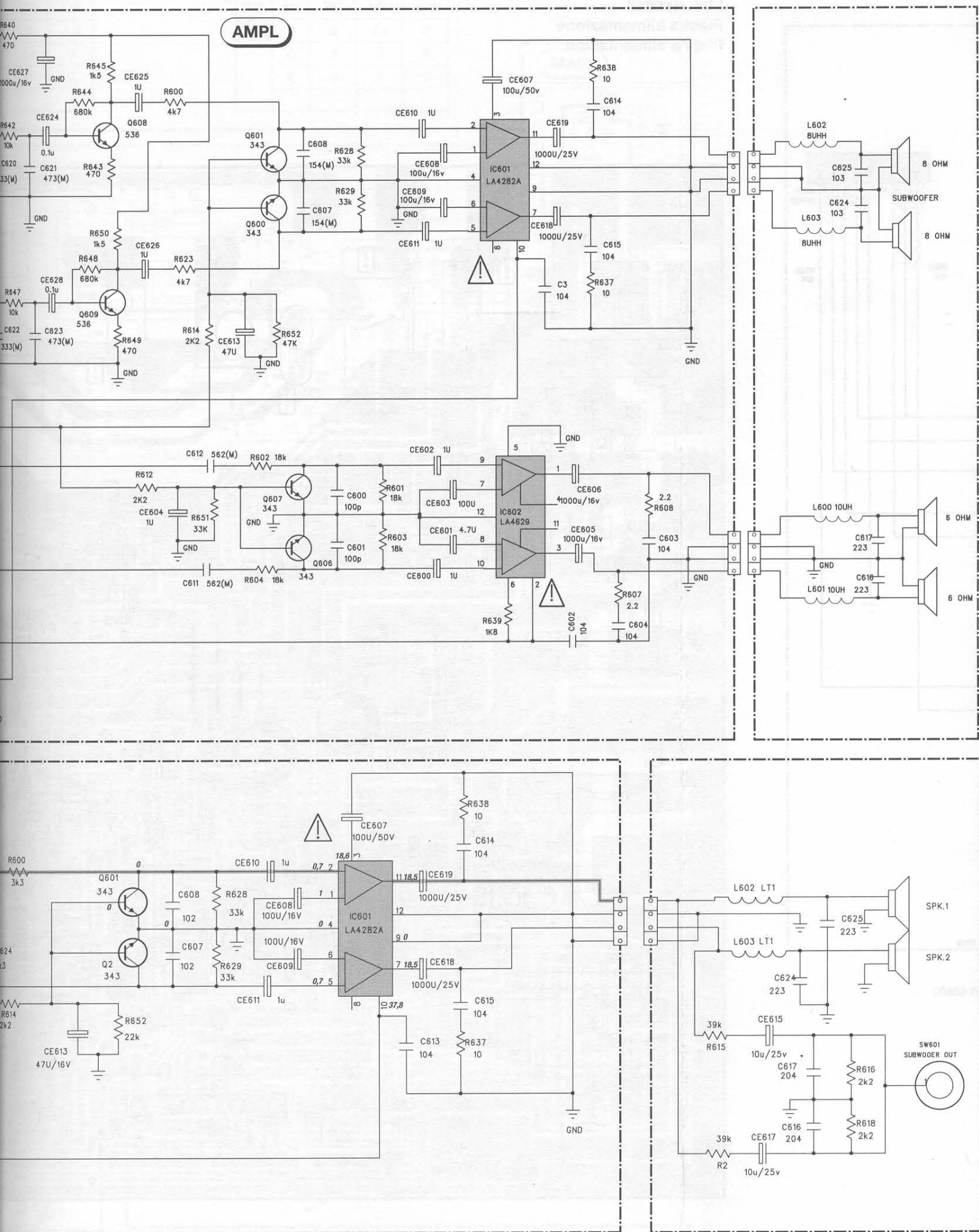


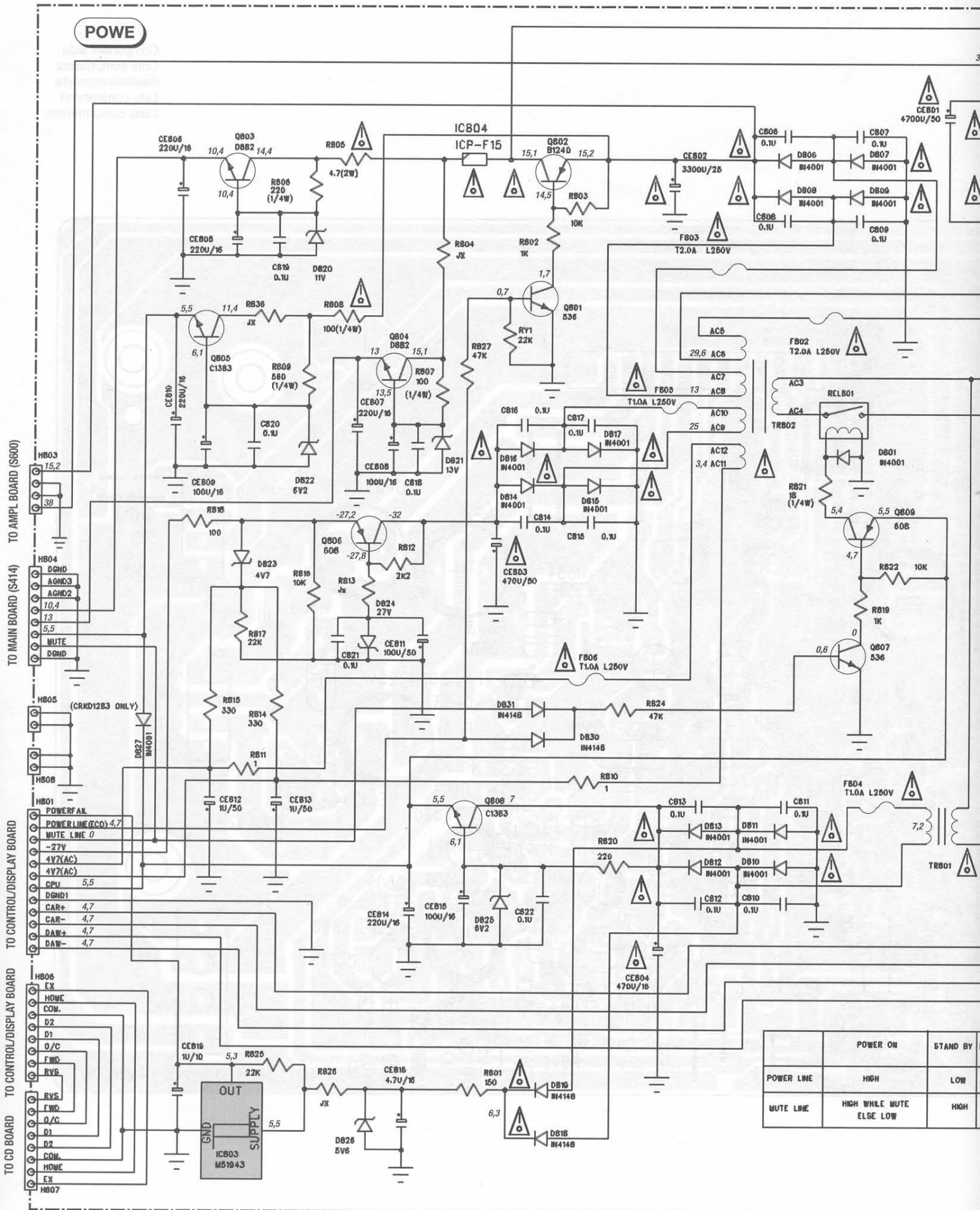
AMPLIFIER SCHEMATIC DIAGRAM - SCHEMA DE L'AMPLIFICATEUR - SCHALTBILD ENDVERSTÄRKER - S



MATIC DIAGRAM - SCHEMA DE L'AMPLIFICATEUR - SCHALTBILD ENDVERSTÄRKER - SCHEMA AMPLIFIC



POWER SUPPLY SCHEMATIC DIAGRAM - SCHEMA DE L'ALIMENTATION - SCHALTBILD NETZTEIL - SCHEMA



TO AMPLI BOARD (S600)

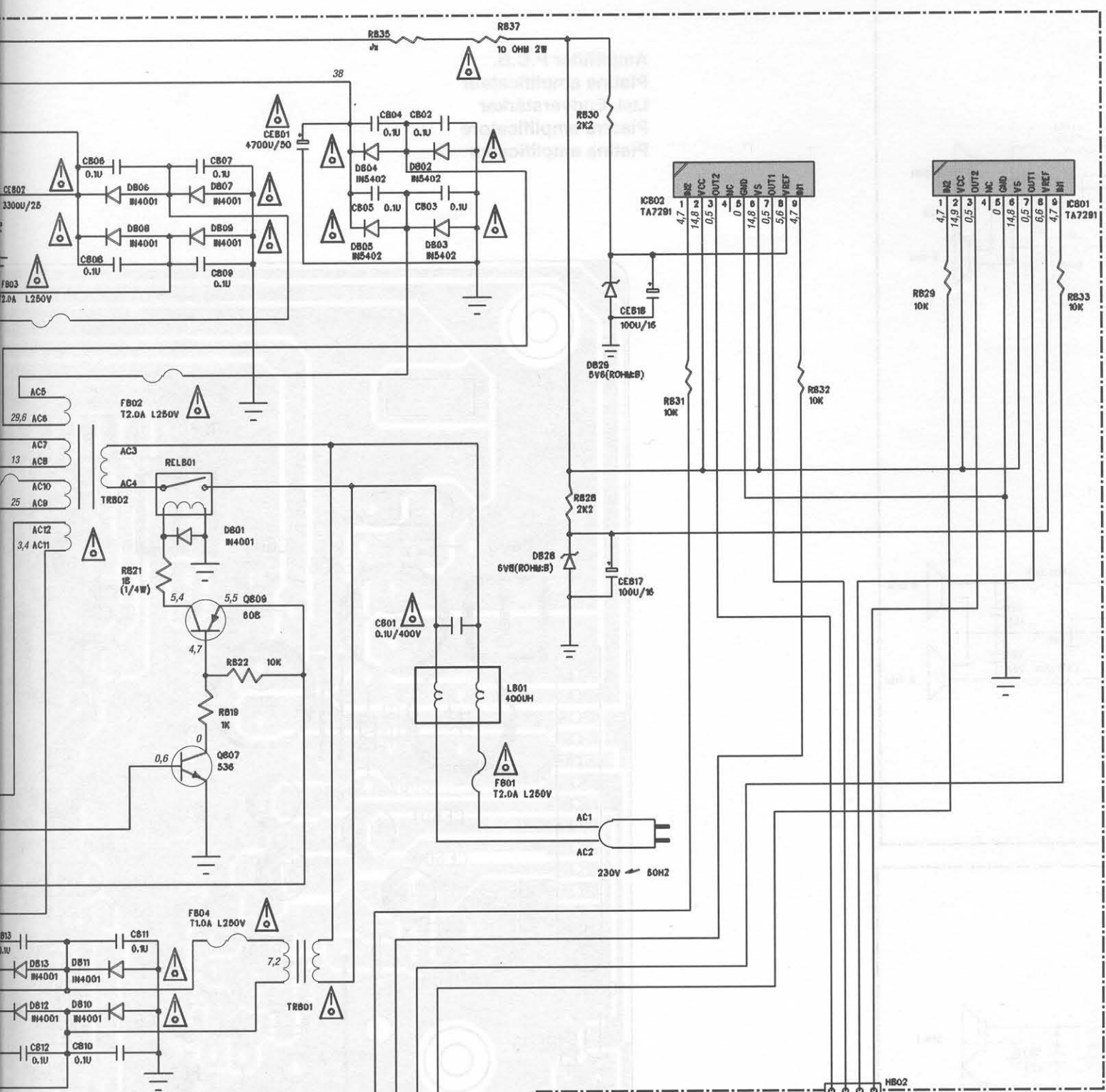
TO MAIN BOARD (S414)

TO CONTROL/DISPLAY BOARD

TO CD BOARD TO CONTROL/DISPLAY BOARD

	POWER ON	STAND BY
POWER LINE	HIGH	LOW
MUTE LINE	HIGH WHILE MUTE ELSE LOW	HIGH

N - SCHALTBIKD NETZTEIL - SCHEMA DELL'ALIMENTAZIONE - ESQUEMA DE LA ALIMENTACION



	POWER ON	STAND BY	POWER OFF(ECO)
POWER LINE	HIGH	LOW	LOW
MUTE LINE	HIGH WHILE MUTE ELSE LOW	HIGH	LOW

# MAIN SCHEMATIC DIAGRAM - SCHEMA DE LA PLATINE PRINCIPALE - SCHALTBILD HAUPTPLATINE

Réf.	pin	FM	MW	LW
Q402	B	1,9	0	1,9
	C	0	1,4	0
	E	0	0	0

Réf.	pin	FM	MW	LW
Q403	B	0	1,4	0
	C	0	0	0
	E	0	0	0

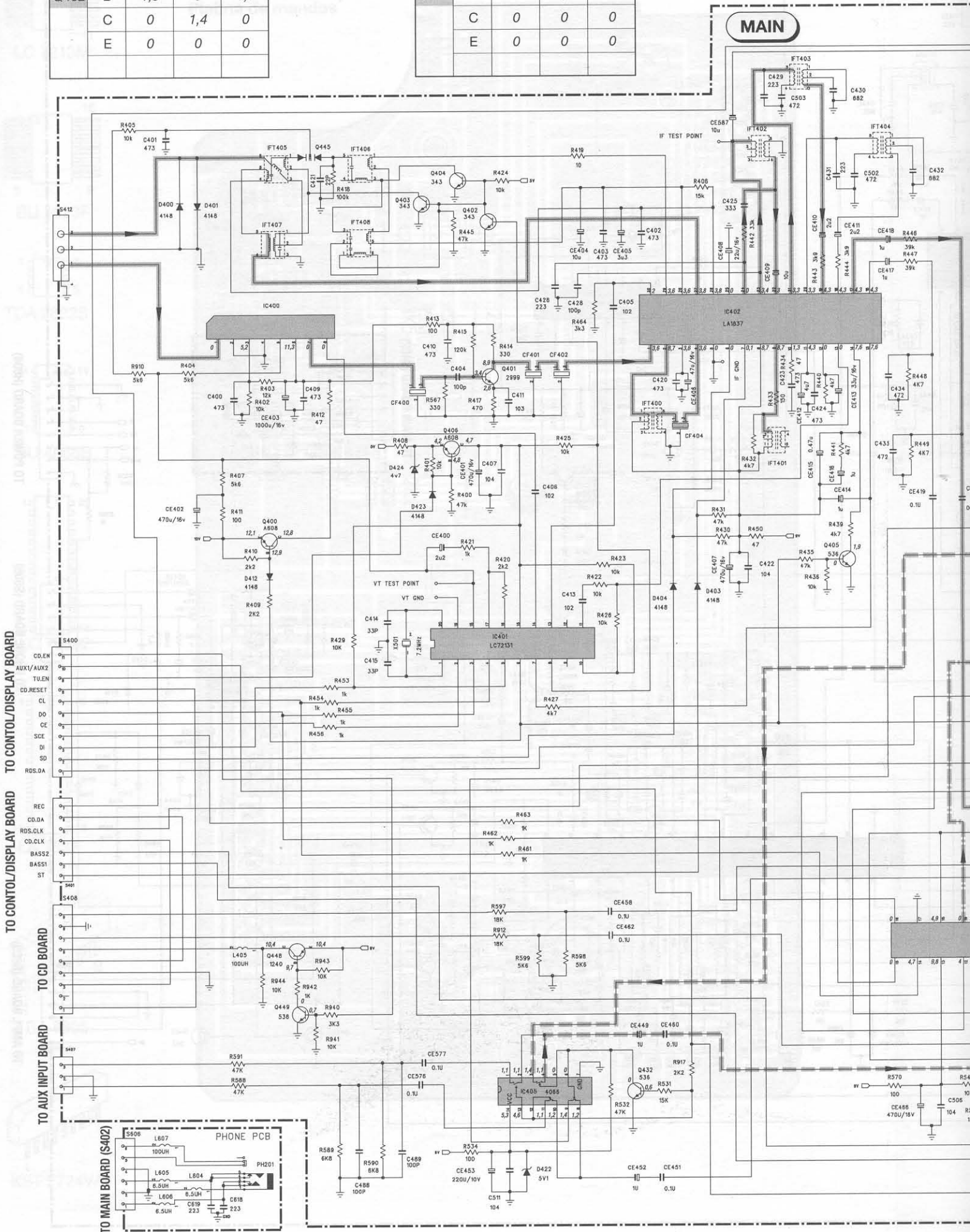
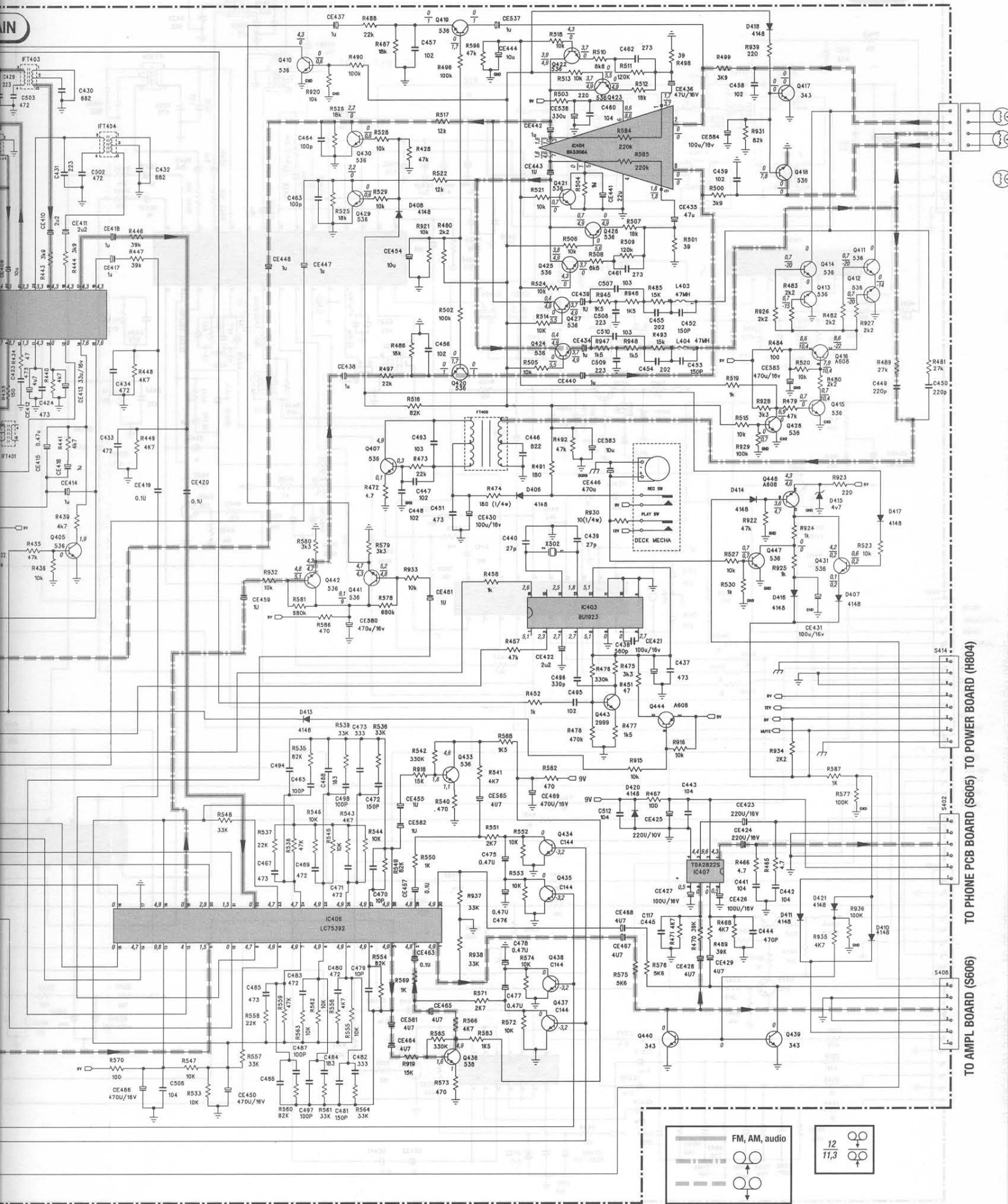
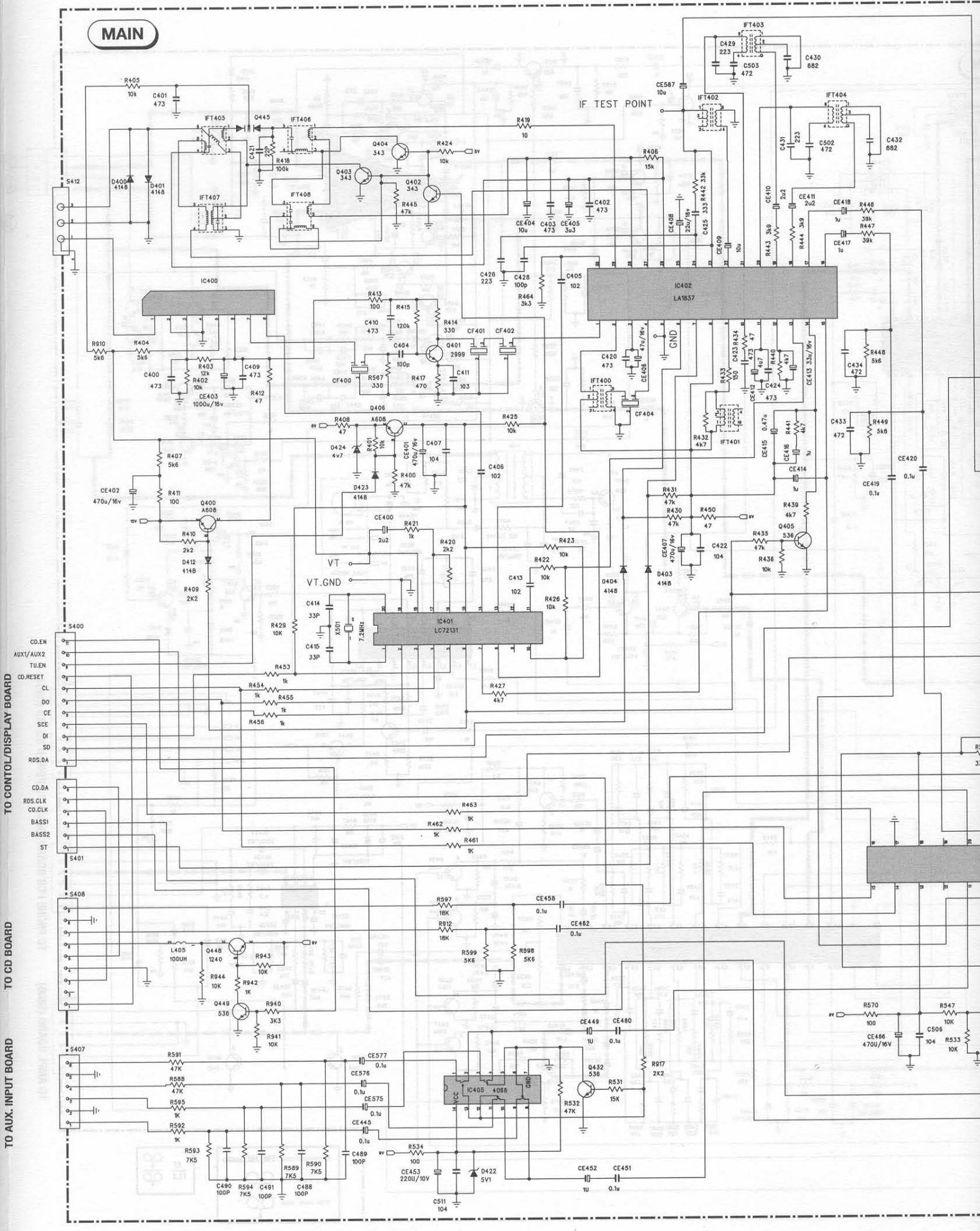


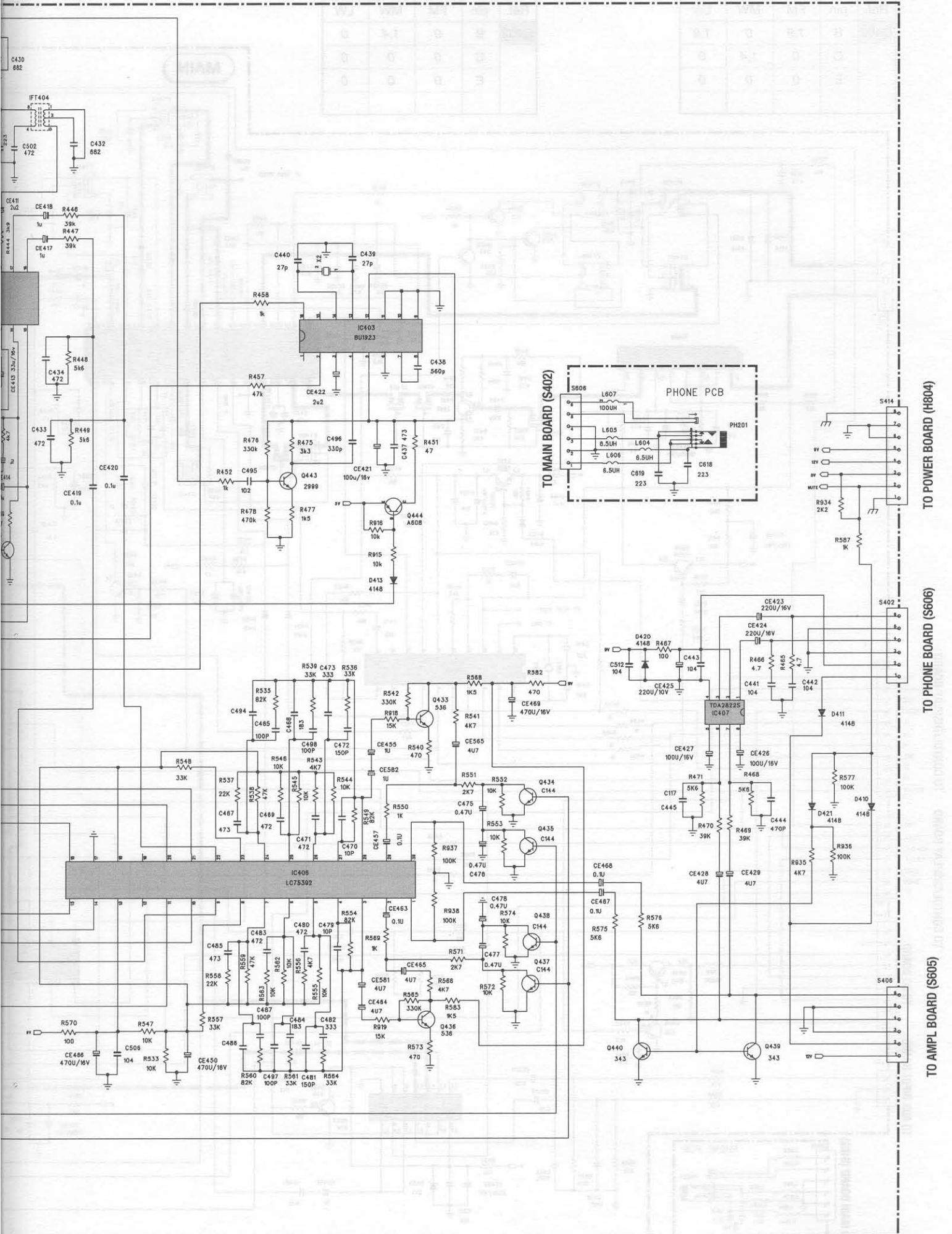
BILD HAUPTPLATINE - SCHEMA DELLA PIASTRA PRINCIPALE - ESQUEMA DE LA PLATINA PRINCIPAL



MAIN SCHEMATIC DIAGRAM - SCHEMA DE LA PLATINE PRINCIPALE - SCHALTBILD HAUPTPLATINE -

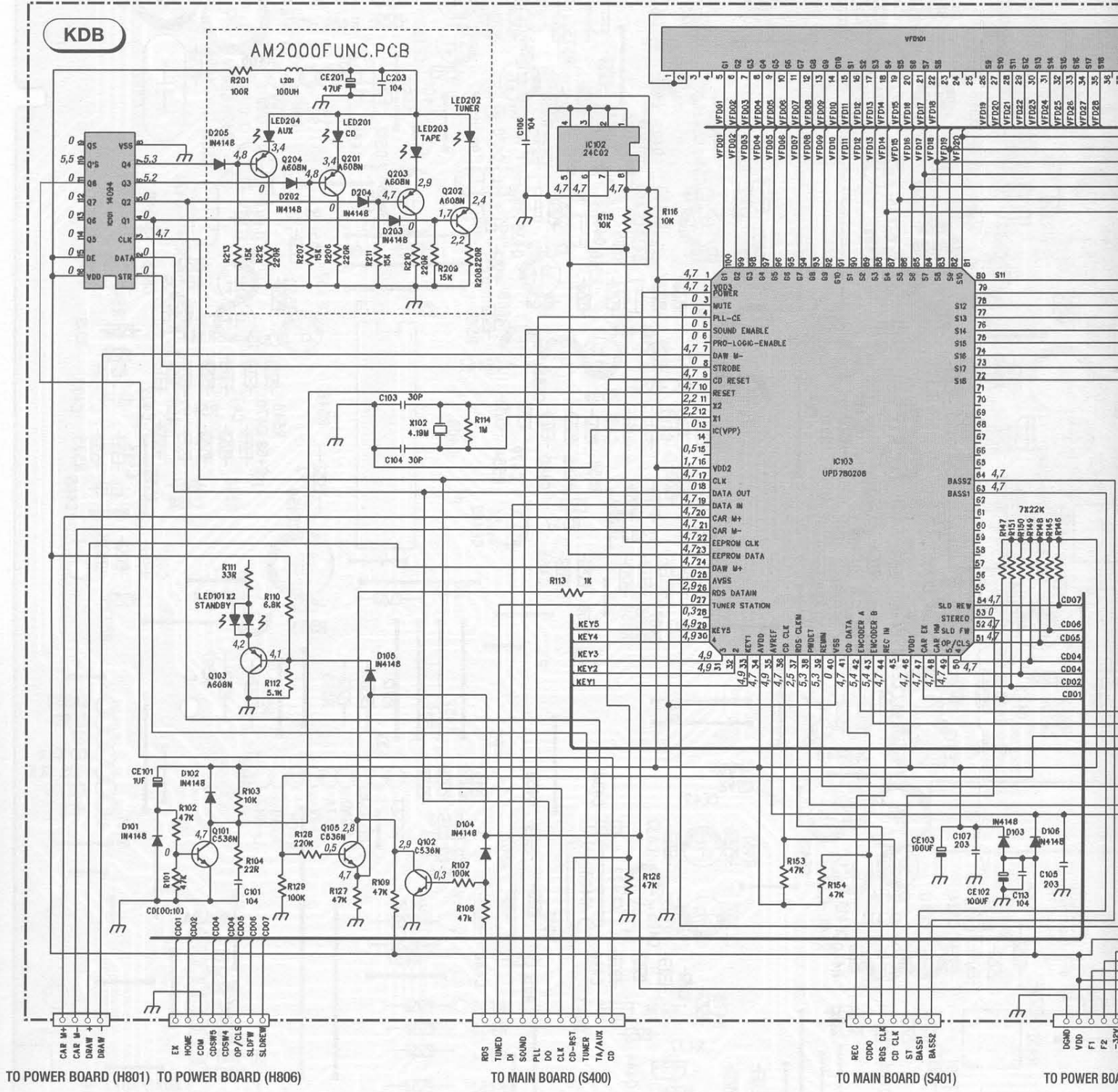


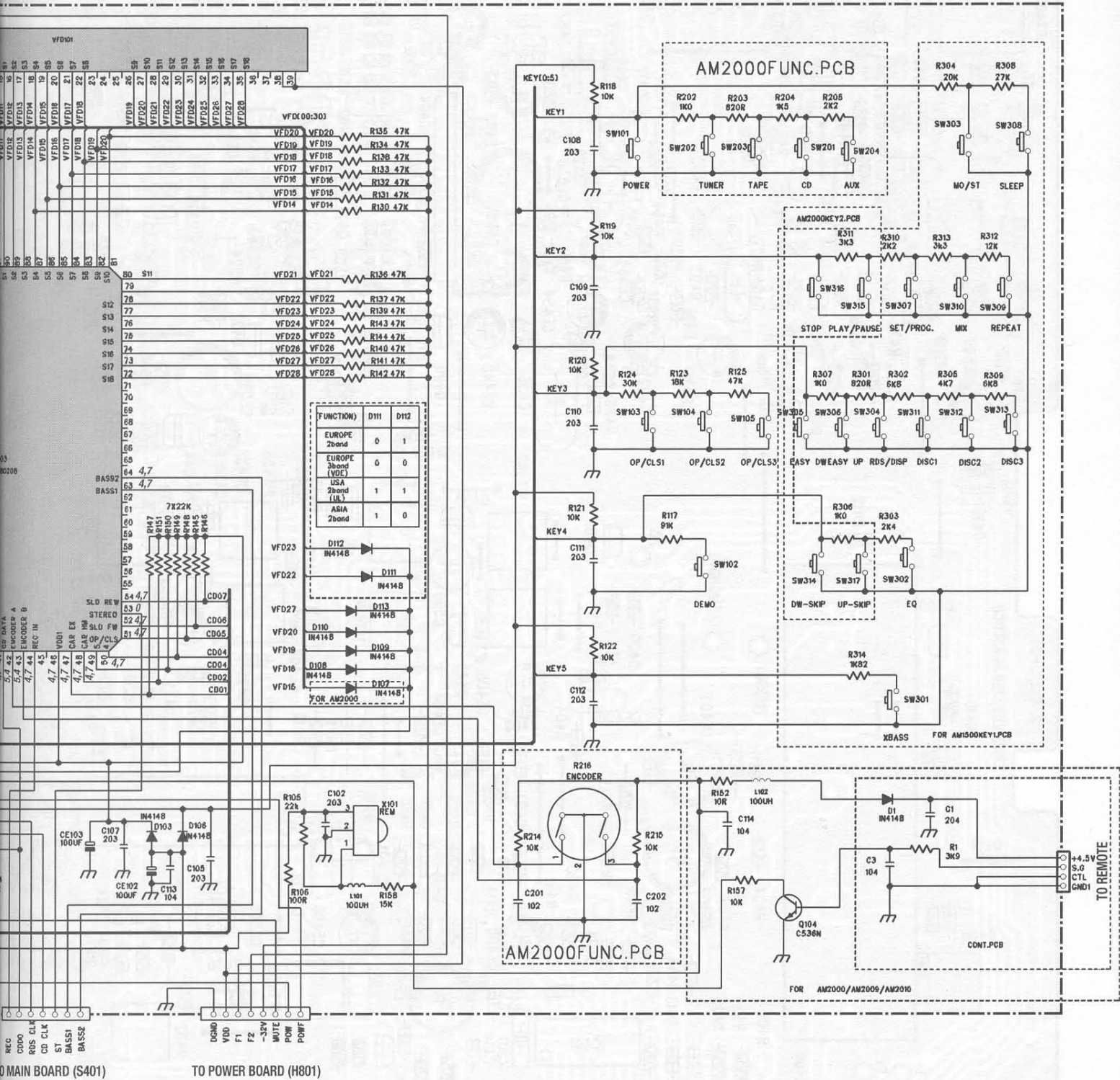
LD HAUPTPLATINE - SCHEMA DELLA PIASTRA PRINCIPALE - ESQUEMA DE LA PLATINA PRINCIPAL





# CONTROL / DISPLAY SCHEMATIC DIAGRAM - SCHEMA COMMANDES / AFFICHEUR - SCHALTBILD BE ESQUEMA MANDOS / INDICADOR





**REMOVABLE CONTROL PCB - SCHEMA DE LA COMMANDE DÉTACHABLE - SCHALTBIELD ABNEHMBARE STEUERPLATINE -  
PIASTRA CONTROLLO RIMOVIBILE - PLACA DE CONTROL EXTRAIBILE**

