



**SERVICE MANUAL  
DOCUMENTATION TECHNIQUE  
TECHNISCHE DOKUMENTATION  
DOCUMENTAZIONE TECNICA  
DOCUMENTACION TECNICA**

**THOMSON** AM 1580  
AM 2080  
AM 2180

Version (PC\*): A

\*PC: The version code is indicated either in the battery compartment or on the back of the unit - ce code version est indiqué dans le compartiment à piles ou au dos de l'appareil - PC: Version des Geräts wird im Batteriefach oder auf der Rückseite angegeben - il codice della versione è indicato nello scompartimento delle batterie o sul retro dell'apparecchio - el código de la versión está indicado en el compartimento de las pilas o en la parte trasera del aparato.



**Technical data - Caractéristiques principales  
Technische Daten - Dati tecnici - Características del aparato**

<b>Type of set :</b> Cassette radio recorder / compact disc <b>Type d'appareil :</b> Combiné radio cassette / CD <b>Geräteart :</b> CD-Radio Cassetten Portable <b>Tipo d'apparecchio :</b> Insieme radio cassette / CD <b>Tipo de aparato :</b> Radio cassette / CD	
<b>Power supply :</b> <b>Alimentation :</b> <b>Stromversorgung :</b> 230 V ~ <b>Alimentazione :</b> <b>Alimentación :</b>	<b>Nominal output power :</b> <b>Puissance nominale de sortie :</b> <b>Nennausgangsleistung :</b> 2 x 25 W (Rms) <b>potenza nominale di uscita :</b> 2 x 50 W (Music.) <b>Potencia nominal de salida :</b>
<b>FM - MF :</b> 87,5 - 108 MHz <b>MW - PO :</b> 522 - 1620 kHz <b>LW - GO :</b> 146 - 281 kHz	<b>Sensitivity :</b> <b>Sensibilité :</b> FM - MF : 20 µV (S/N = 30 dB) <b>Empfindlichkeit :</b> MW - PO : 1000 µV/m (S/N = 20 dB) <b>Sensibilità :</b> LW - GO : 2500 µV/m (S/N = 20 dB) <b>Sensibilidad :</b>
<b>Frequency response :</b> <b>Courbe de réponse :</b> 125 Hz - 8 kHz <b>Frequenzgang :</b> (+3 / - 3 dB) <b>Curva di risposta :</b> <b>Curva de respuesta :</b>	<b>Signal to noise ratio :</b> <b>Rapport signal / bruit :</b> <b>Geräuschspannungsabstand :</b> 40 dB <b>Rapporto segnale / disturbo :</b> <b>Relación señal / ruido :</b>
<b>Wow and flutter :</b> <b>Fluctuations :</b> <b>Gleichlauf :</b> 0,35 % <b>Fluttuazioni :</b> <b>Fluctuaciones :</b>	 4,75 cm/s C60 : 170 s
<b>DAD</b> <b>Disc rotation speed :</b> <b>Vitesse de rotation du disque :</b> <b>CD-Drehgeschwindigkeit :</b> 200 → 500 tr/m <b>Velocità di rotazione del disco :</b> <b>Velocidad de rotación del disco :</b>	<b>Frequency response :</b> <b>Courbe de réponse :</b> 100 Hz - 16kHz <b>Frequenzgang :</b> (-2/+2 dB) <b>Curva di risposta :</b> <b>Curva de respuesta :</b>
<b>Stereo separation :</b> <b>Diaphonie :</b> <b>Übersprechdämpfung :</b> 45 dB <b>Diafonia :</b> <b>Diafonía :</b>	<b>Signal to noise ratio :</b> <b>Rapport signal / bruit :</b> <b>Geräuschspannungsabstand :</b> 54 dB <b>Rapporto segnale / disturbo :</b> <b>Relación señal / ruido :</b>



**WARNING :** Before servicing this chassis read the safety recommendations.  
**ATTENTION :** Avant toute intervention sur ce châssis, lire les recommandations de sécurité.  
**ACHTUNG :** Vor jedem Eingriff auf diesem Chassis, die Sicherheitsvorschriften lesen.  
**ATTENZIONE :** Prima di intervenire sullo chassis, leggere le norme di sicurezza.  
**IMPORTANTE :** Antes de cualquier intervención, leer las recomendaciones de seguridad.

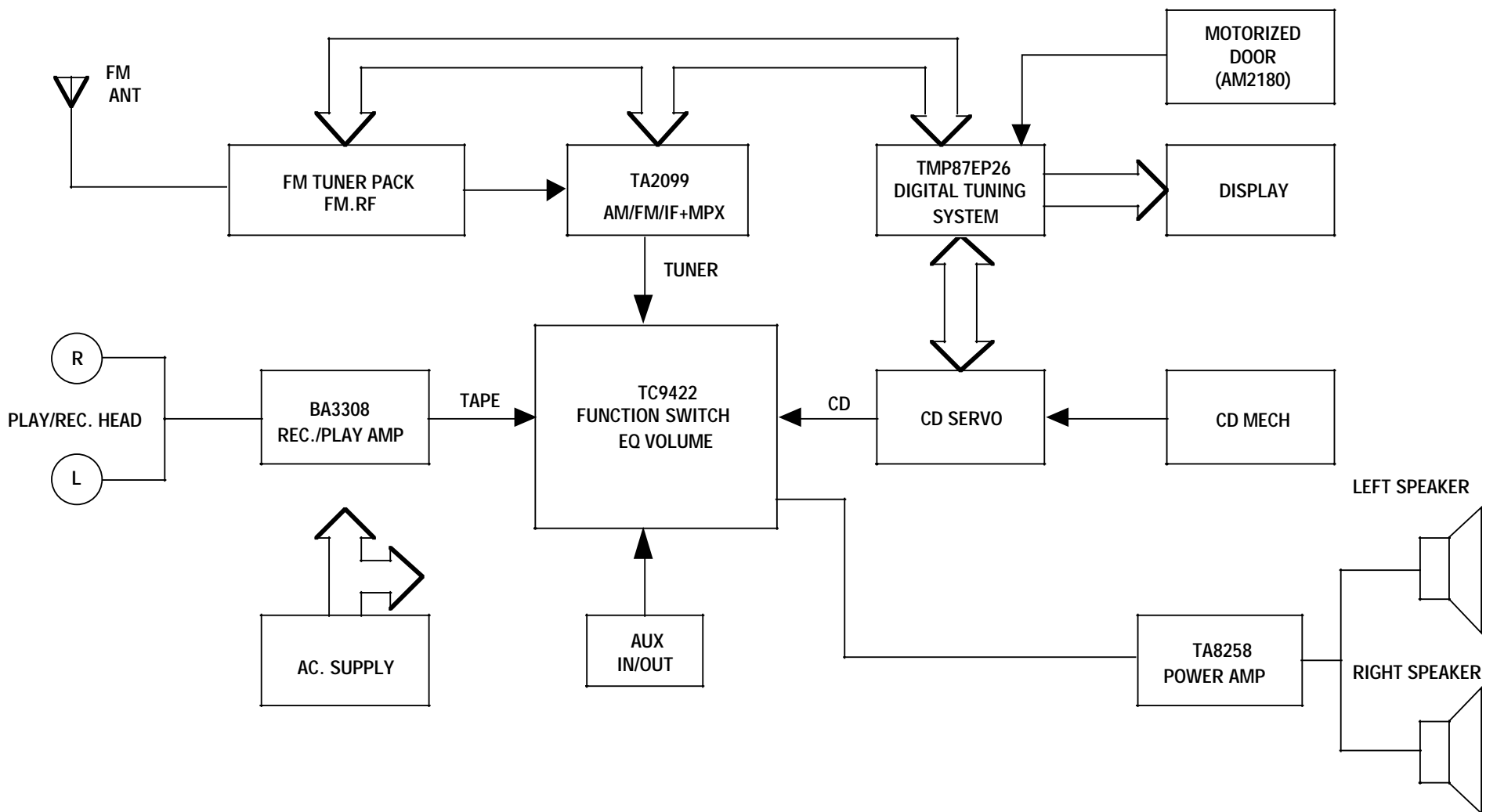
**Code : 356 633 20 - 1202 / 3,7M - CRKD2104-CRKD2105-CRKD2107 Print.**

# ADJUSTMENTS - REGLAGES - EINSTELLUNGEN - REGOLAZIONI - AJUSTES

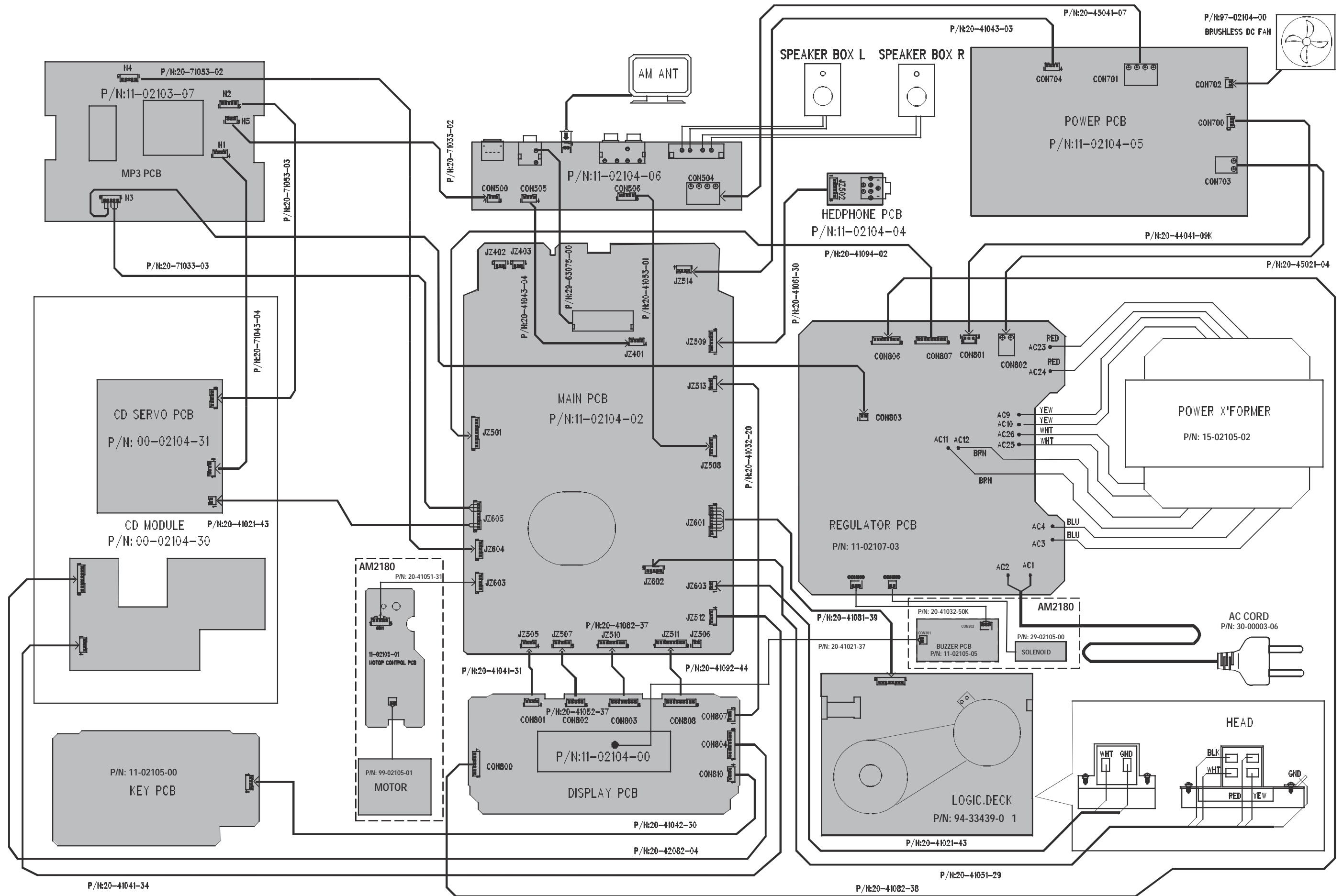
AM alignment							
			or TP	f	18888 KHZ		
IF	1			450 kHz	450 kHz	IFT401	Maximum output
MW	2			522 kHz	522 kHz	IFT404	Vt V = 1,5V +/-0,1V
	3			1620 kHz	1620 kHz		Vt V = 8,5 +/-0,5V
LW	4			146 kHz	146 kHz	IFT403	Vt V = 2,5V +/-0,1V
	5			281 kHz	281 kHz		Vt V = 8,5 +/-0,5V
MW	6			612 kHz	612 kHz	IFT405	Maximum output
	7			1404 kHz	1404 kHz	VC401	
LW	8			164 kHz	164 kHz	IFT406	Maximum output
	9						

FM alignment							
			or TP	f	18888 KHZ		
IF	1			10.7 MHz	10.7 MHz		Max.
FM	2			87.5 MHz	87.5 MHz		Vt V = 1,7V +/-0,3V
	3			108 MHz	108 MHz		Vt V = 8,25V +/-0,5V

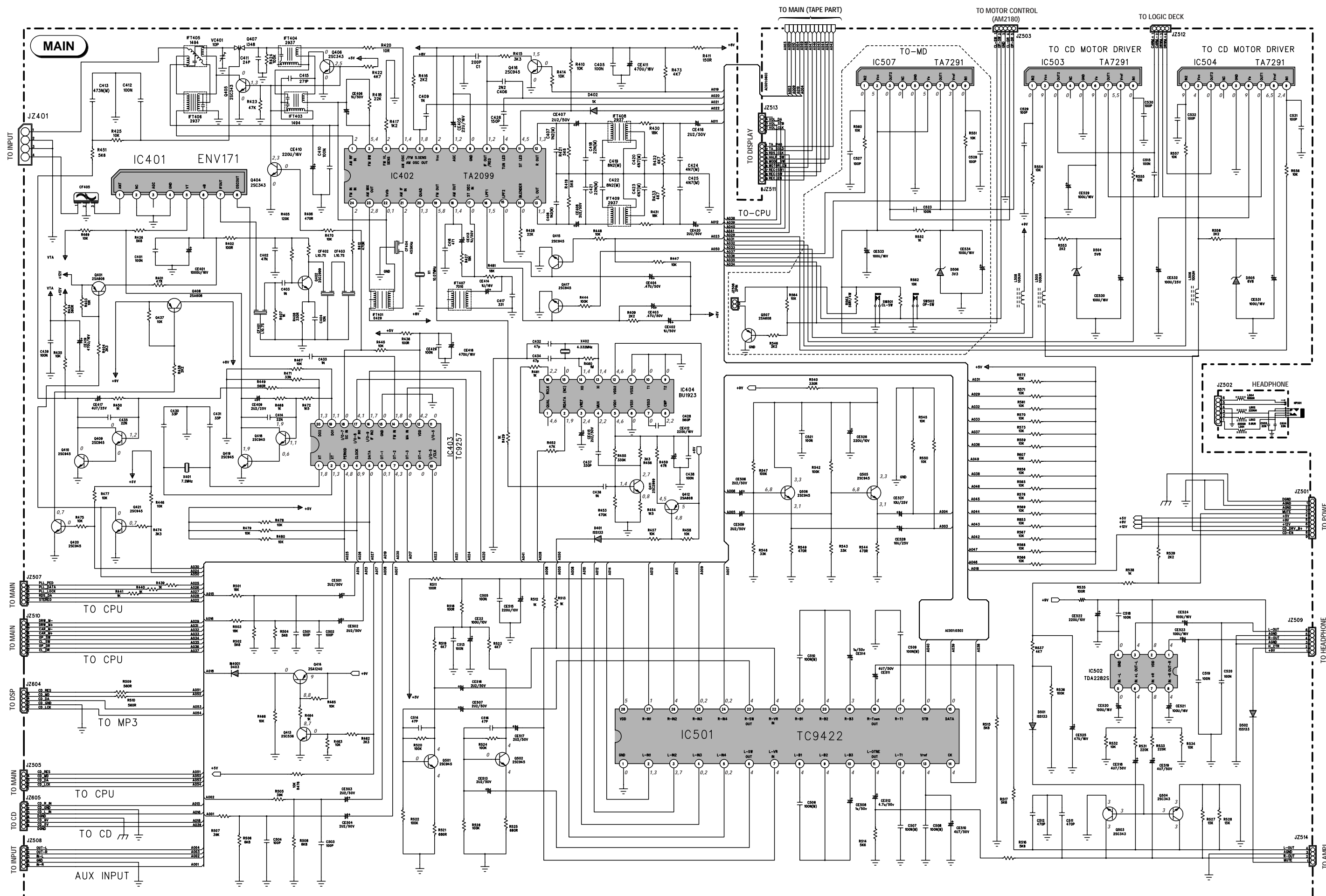
BLOCK DIAGRAM - SCHEMA SYNOPTIQUE - BLOCKSCHALTBILD - SCHEMA A  
 BLOCCHI - ESQUEMA DE BLOQUES



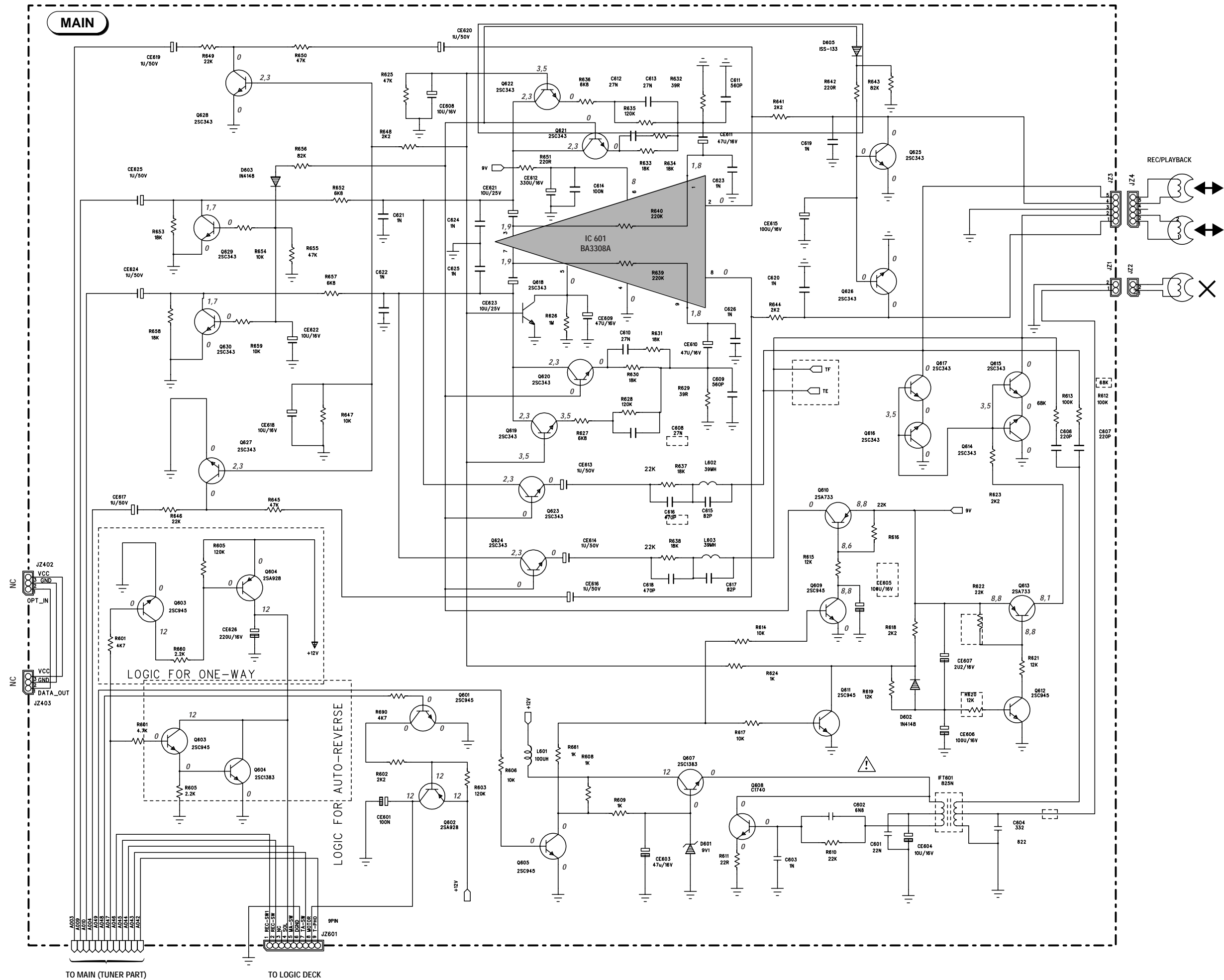
AM2080 / AM2180



MAIN SCHEMATIC DIAGRAM - SCHEMA DE LA PLATINE PRINCIPALE - SCHALTBILD GRUNDPLATTE - SCHEMA DELLA PIASTRA PRINCIPALE - ESQUEMA DE LA PLATINA PRINCIPAL (TUNER PART)

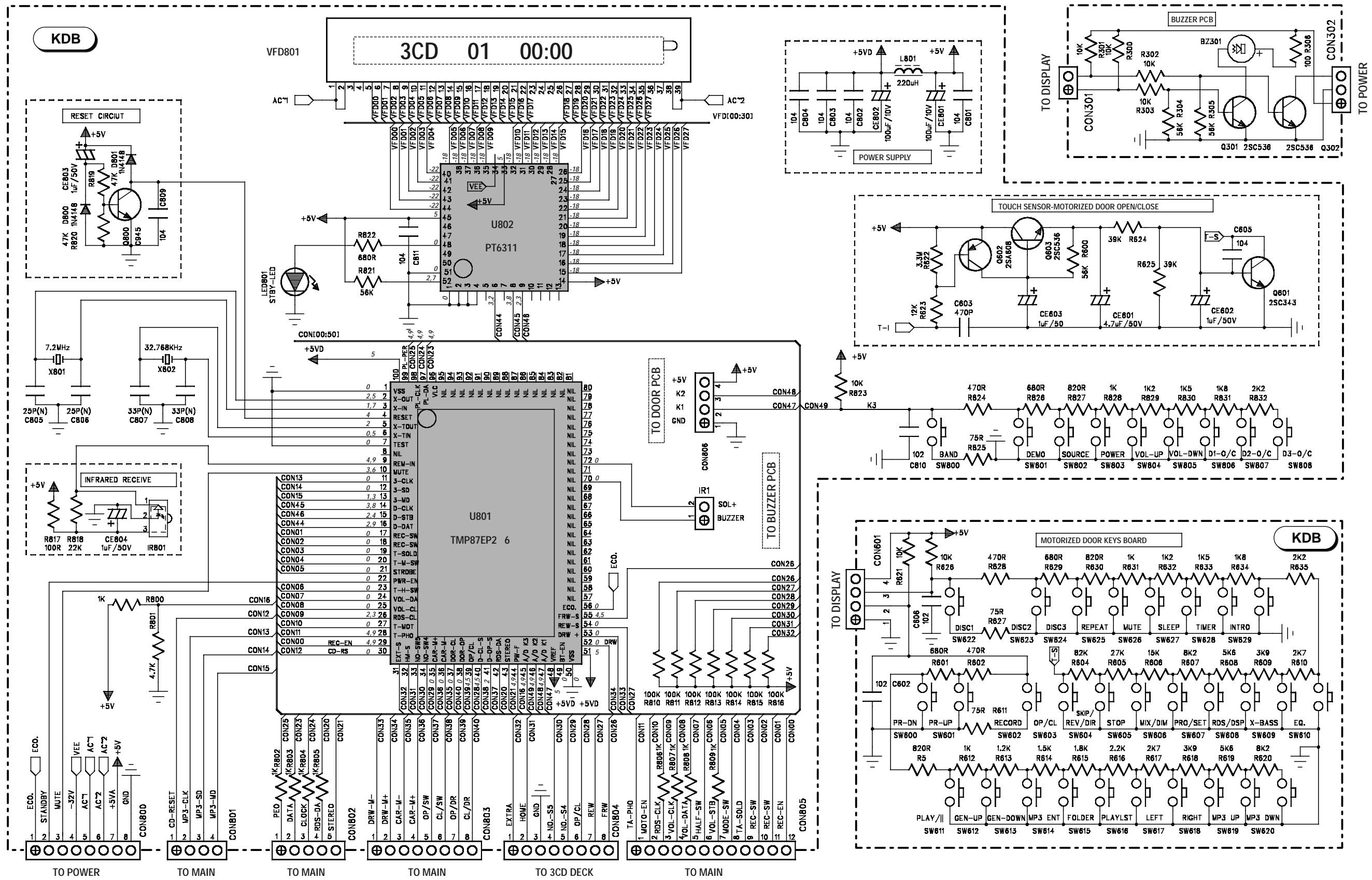


MAIN SCHEMATIC DIAGRAM - SCHEMA DE LA PLATINE PRINCIPALE - SCHALTBILD GRUNDPLATTE - SCHEMA DELLA PIASTRA PRINCIPALE - ESQUEMA DE LA PLATINA PRINCIPAL (TAPE PART)





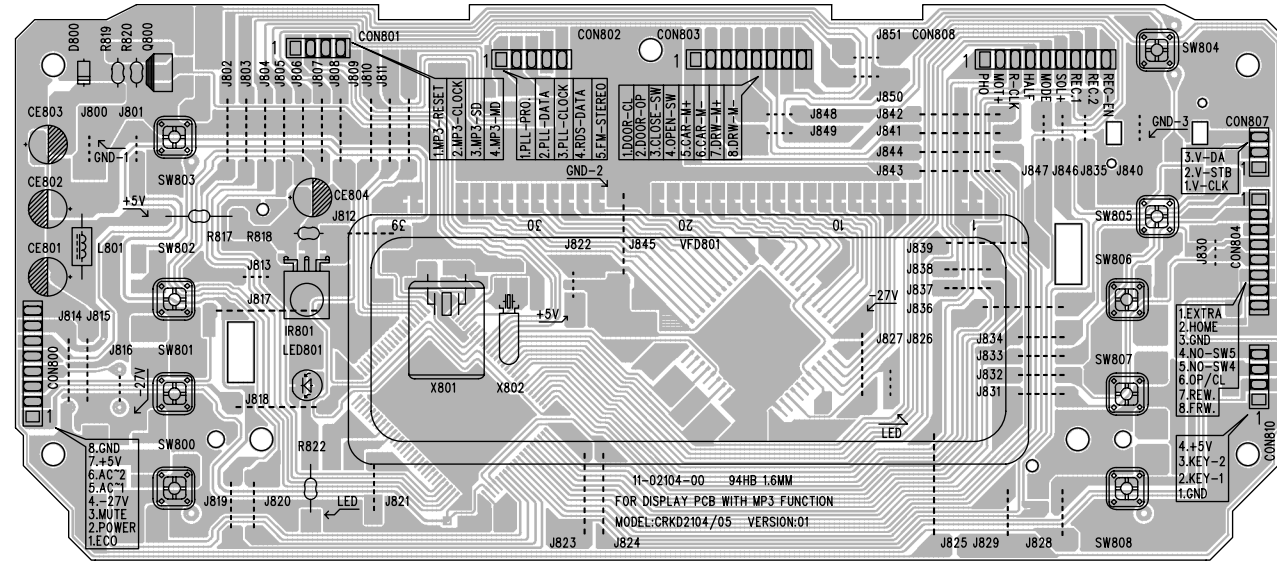
CONTROL / DISPLAY SCHEMATIC DIAGRAM - SCHEMA COMMANDES / AFFICHEUR - SCHALTBILD BEDIENTEIL / ANZEIGE - SCHEMA COMANDI / INDICATORE - ESQUEMA MANDOS / INDICADOR





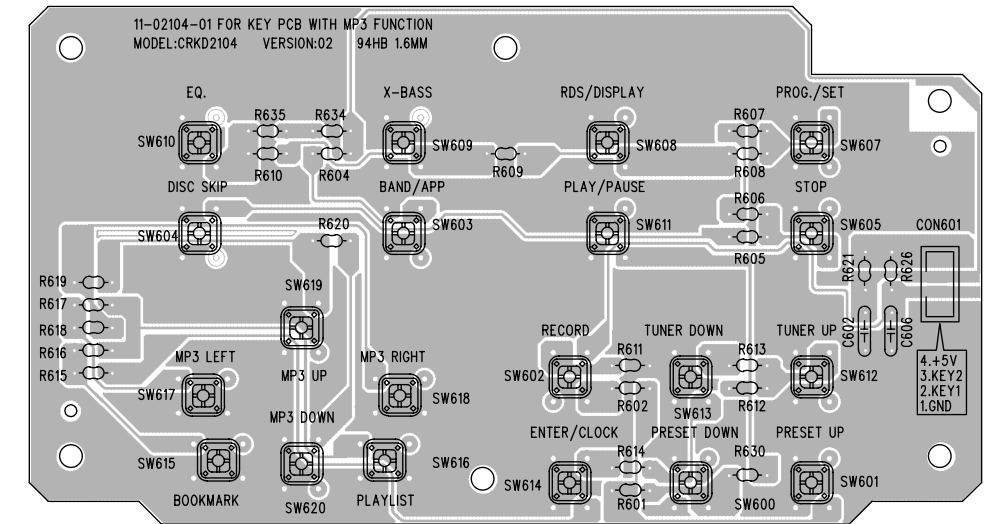
Controls / display P.C.B.  
 Platine commandes / afficheurs  
 Ltpl. Bedienteil / Anzeige  
 Piastra comandi / indicatori  
 Platina de mandos / indicadores

AM2080/2180

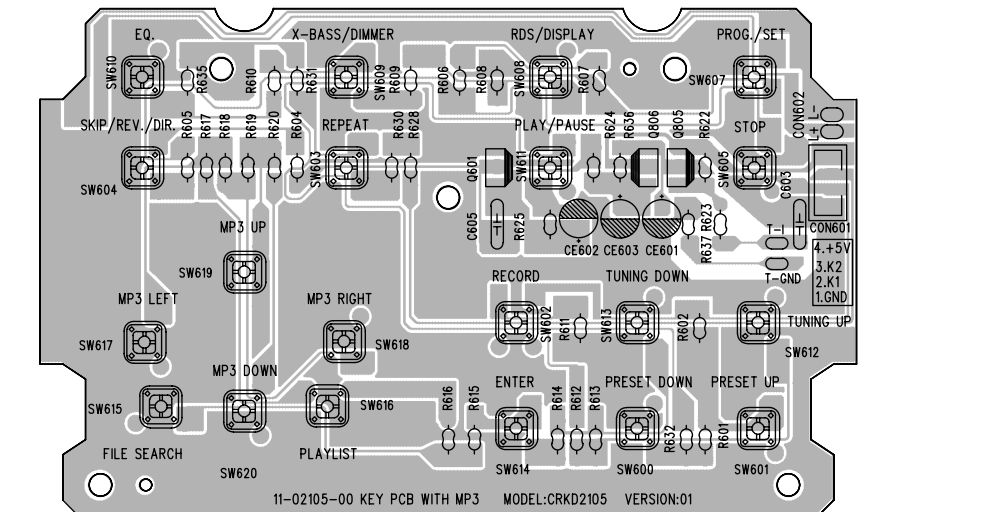


Key P.C.B.  
 Platine touche  
 Ltpl. Taste  
 Piastra tasto  
 Platina tecla

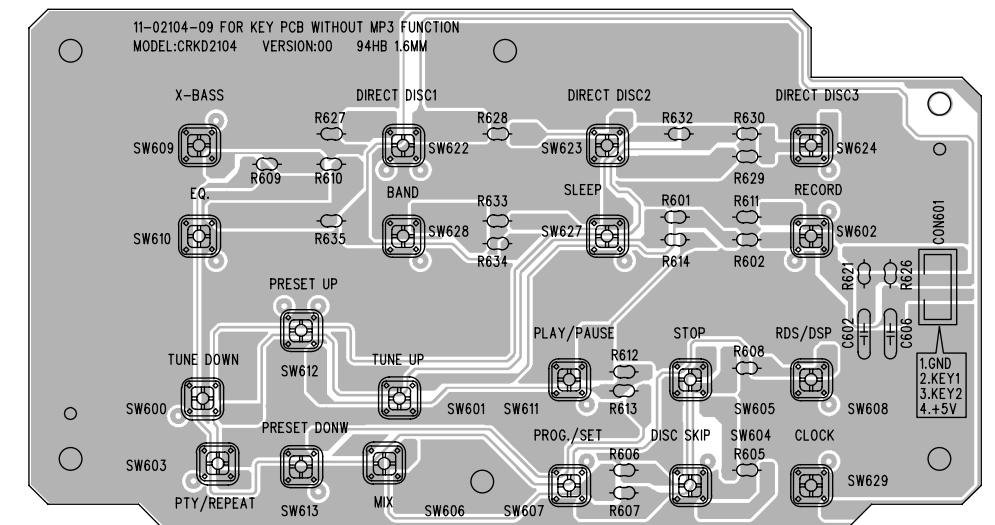
AM2080



AM2180

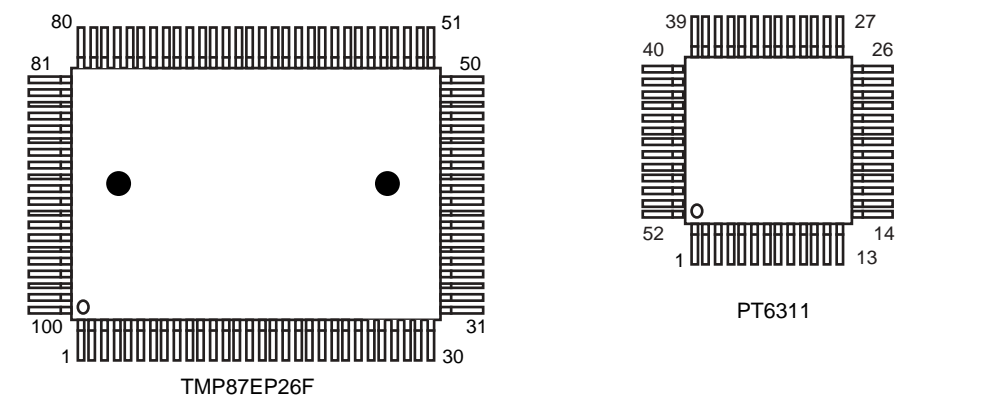
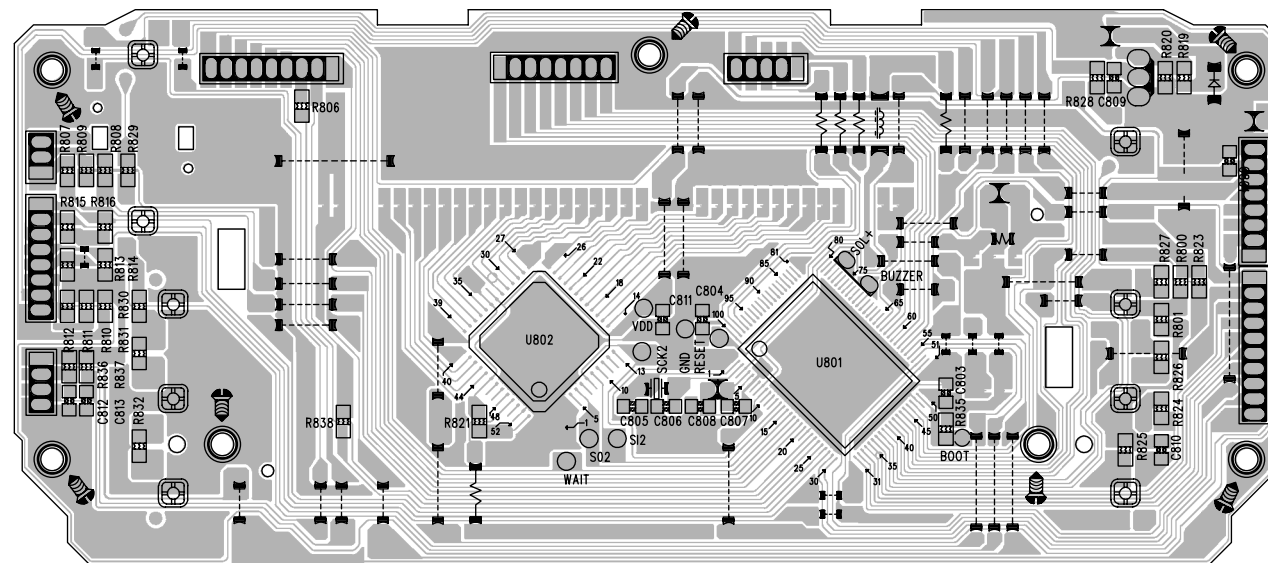
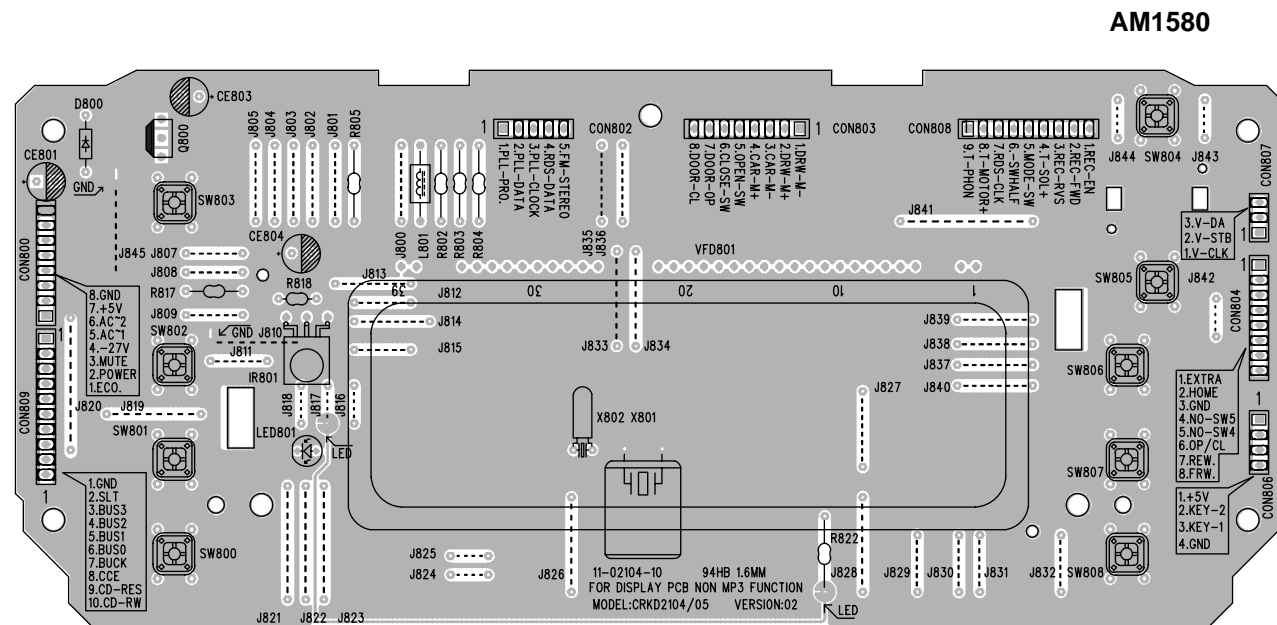


AM1580



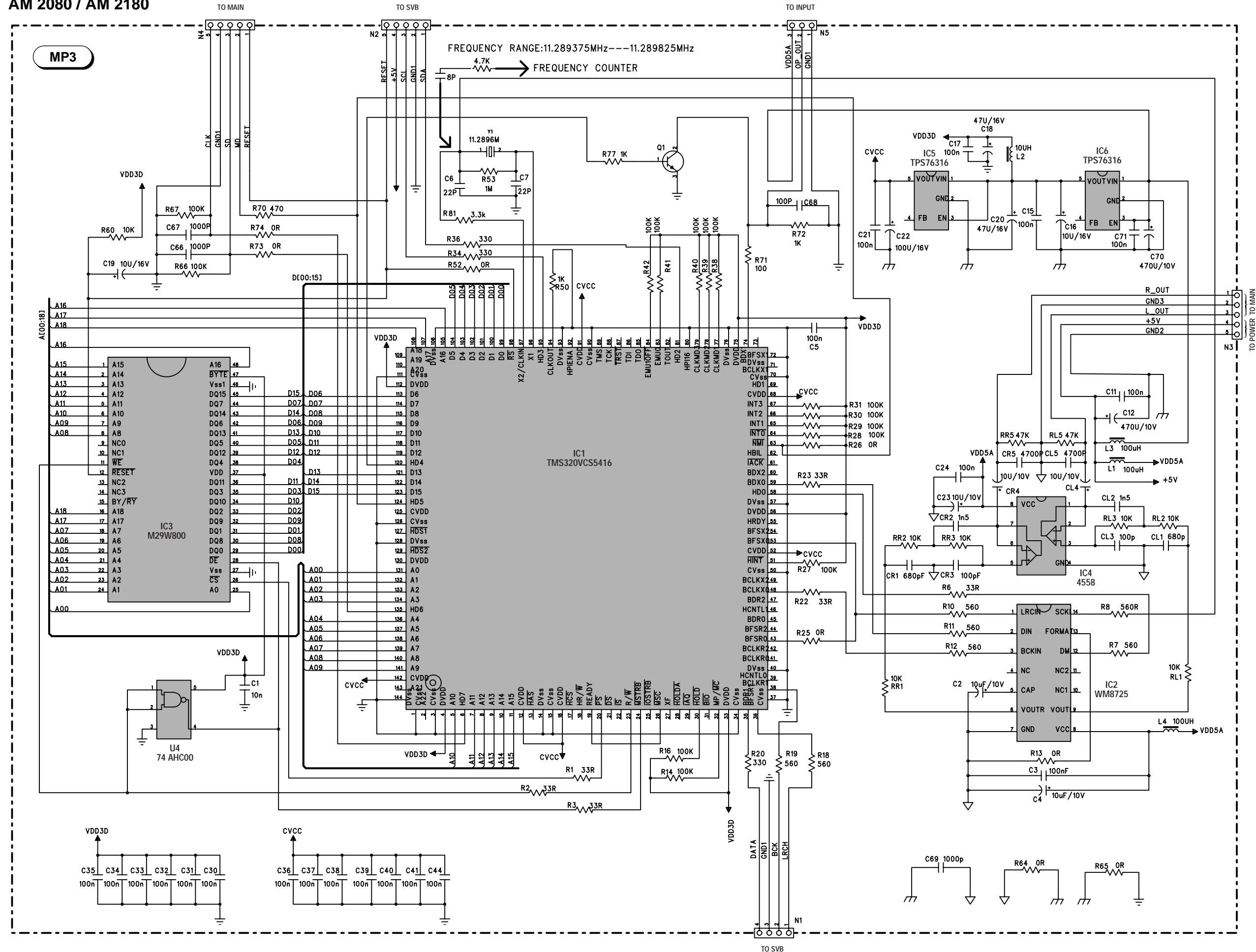
Component side  
 Côté composants  
 Bestückungsseite  
 Lato componenti  
 Lado componentes

Solder side  
 Côté soudure  
 Lötseite  
 Lato saldature  
 Lado del cobre



DIGITAL PROCESSING SCHEMATIC DIAGRAM - SCHEMA DU TRAITEMENT DIGITAL - SCHALTBIKD DIGITALVERARBEITUNG - SCHEMA ELABORAZIONE DIGITALE - ESQUEMA DEL TRATAMIENTO DIGITAL (MP3)

AM 2080 / AM 2180

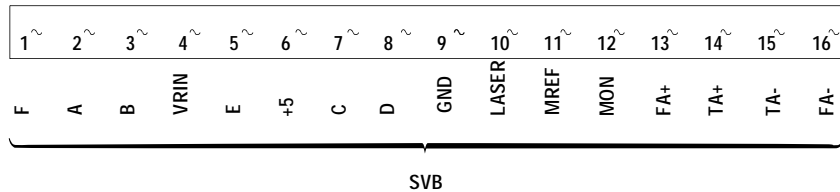


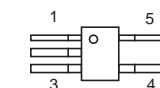
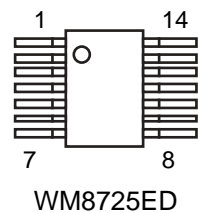
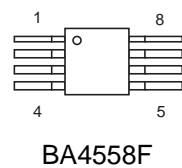
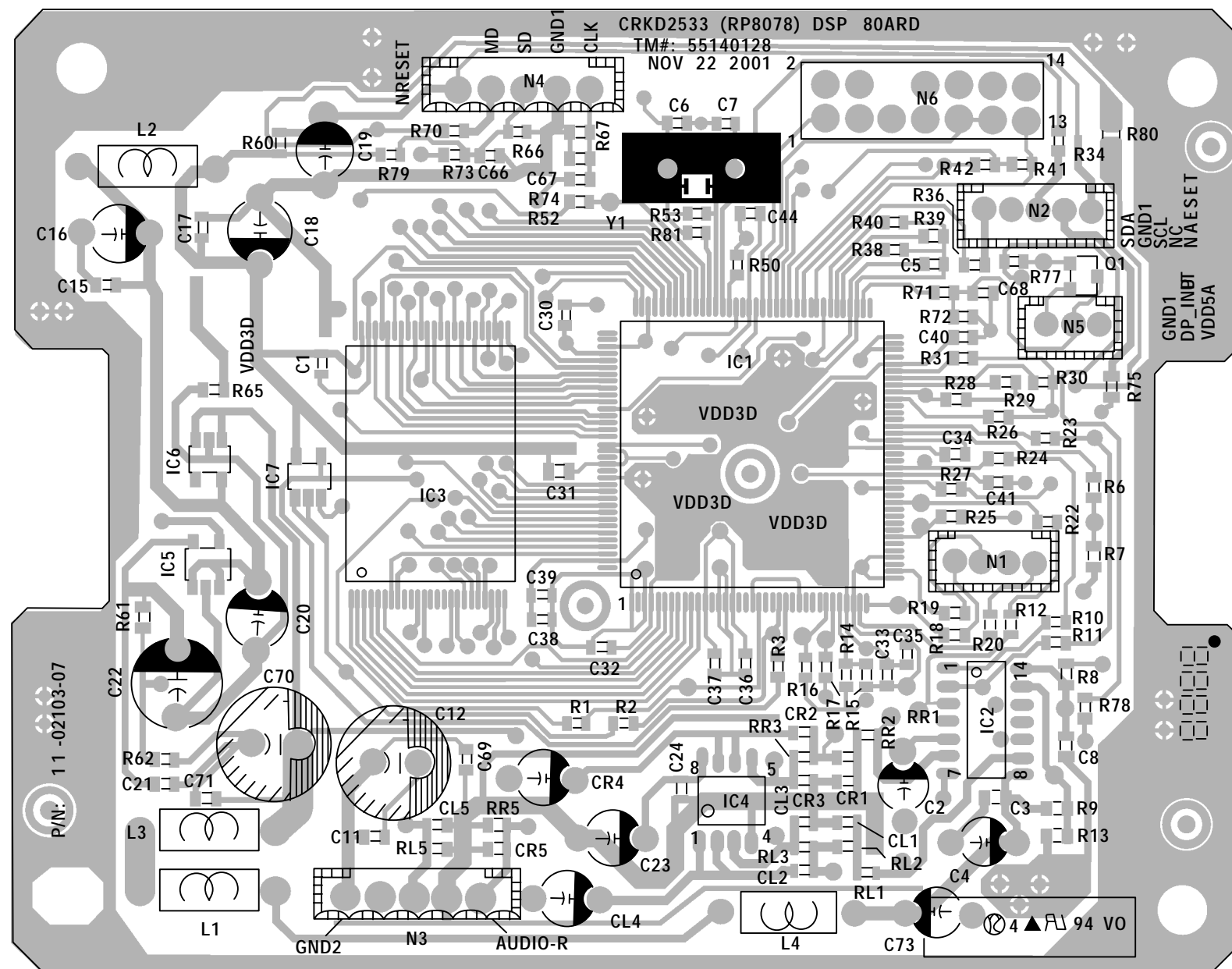
**AM 2080**  
**AM 2180**

The complete Digital Processing Module is available from A.S.S. under Part Number :  
En SAV, l'ensemble du module traitement digital est géré sous le code :  
Die Service Bestell-Nr. für das Modul "Digital Processing kompl." ist :  
Il codice del modulo completo di elaborazione digitale è :  
En postventa, el modulo completo tratamiento digital lleva el código :

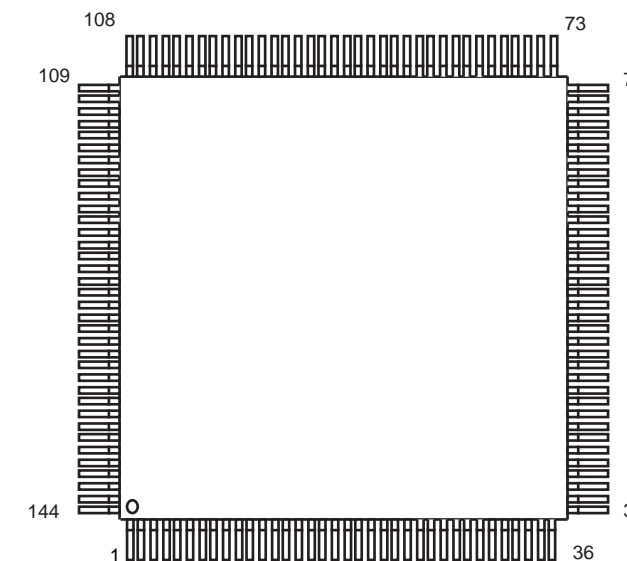
107 57 770

BA001

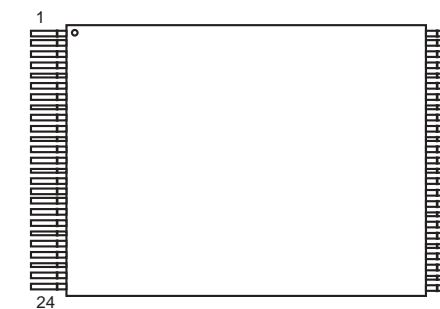




TPS 76331DBVR



TMS 320VC5416

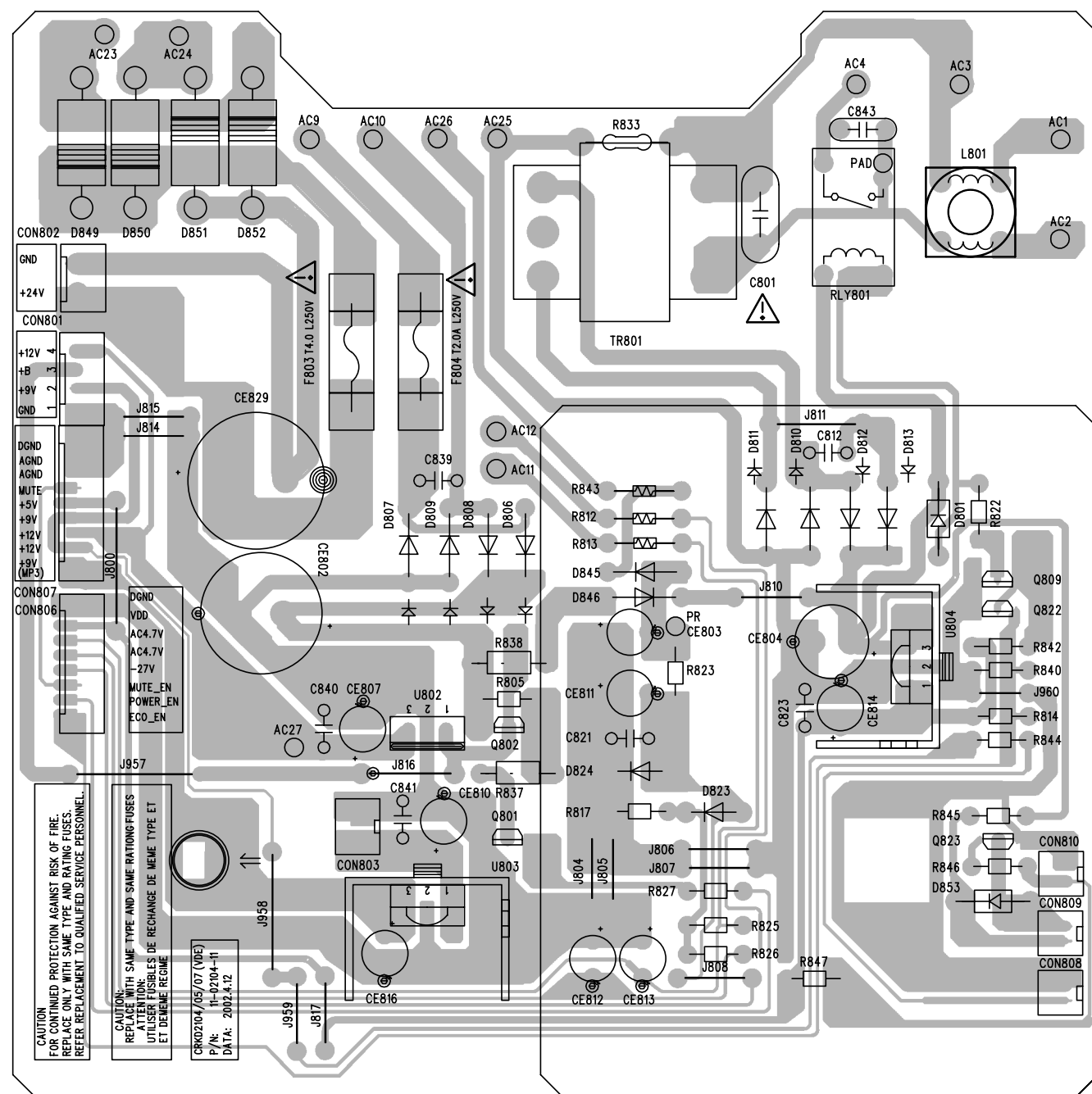


M29W800AT90N1

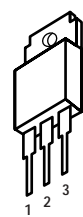
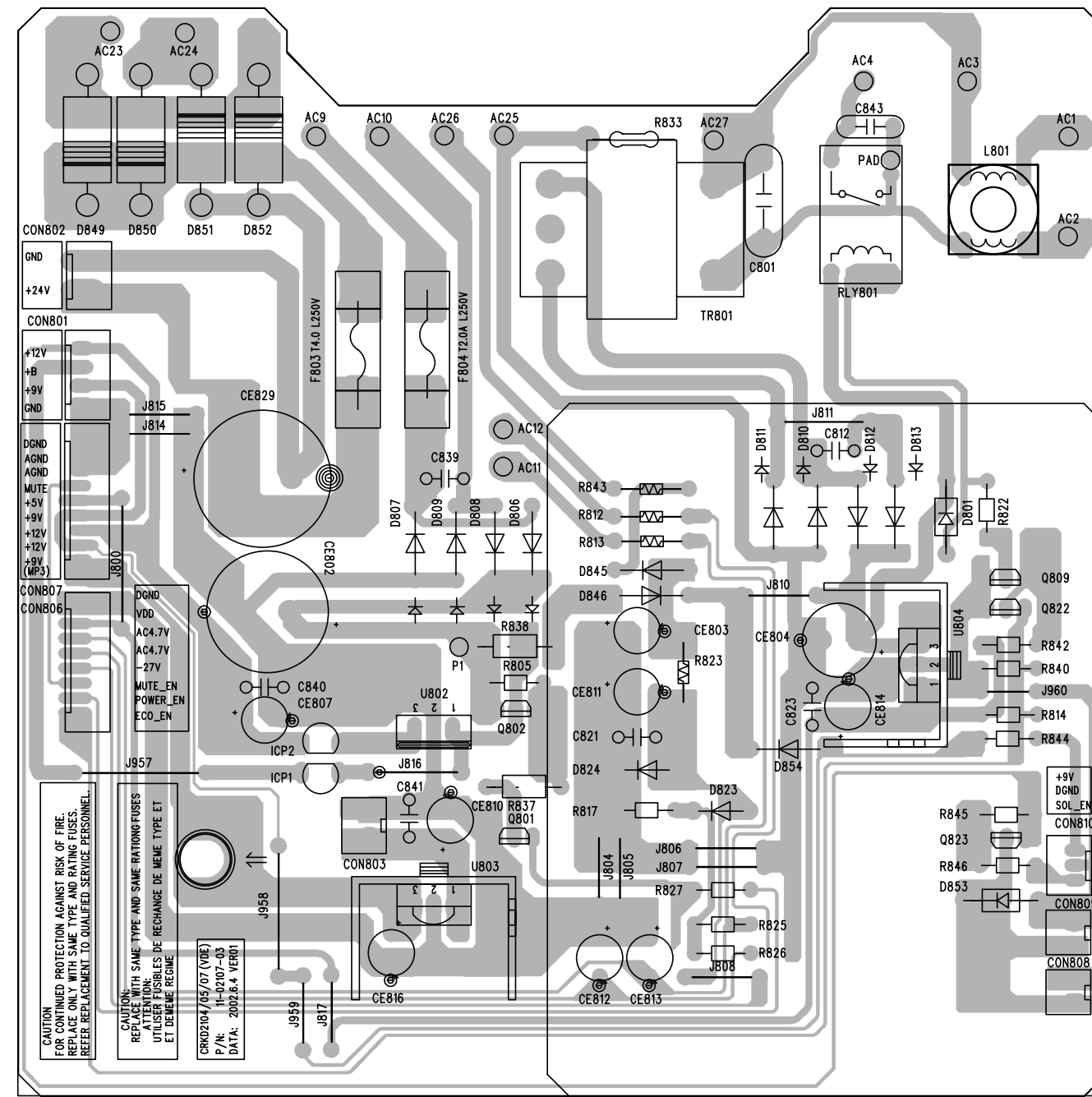


Power unit P.C.B.  
Platine secteur  
Ltpl. Netzanschluss  
Piastra di rete  
Platina de red

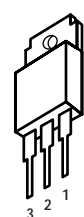
AM2080



AM2180 / AM 1580



L7812CV

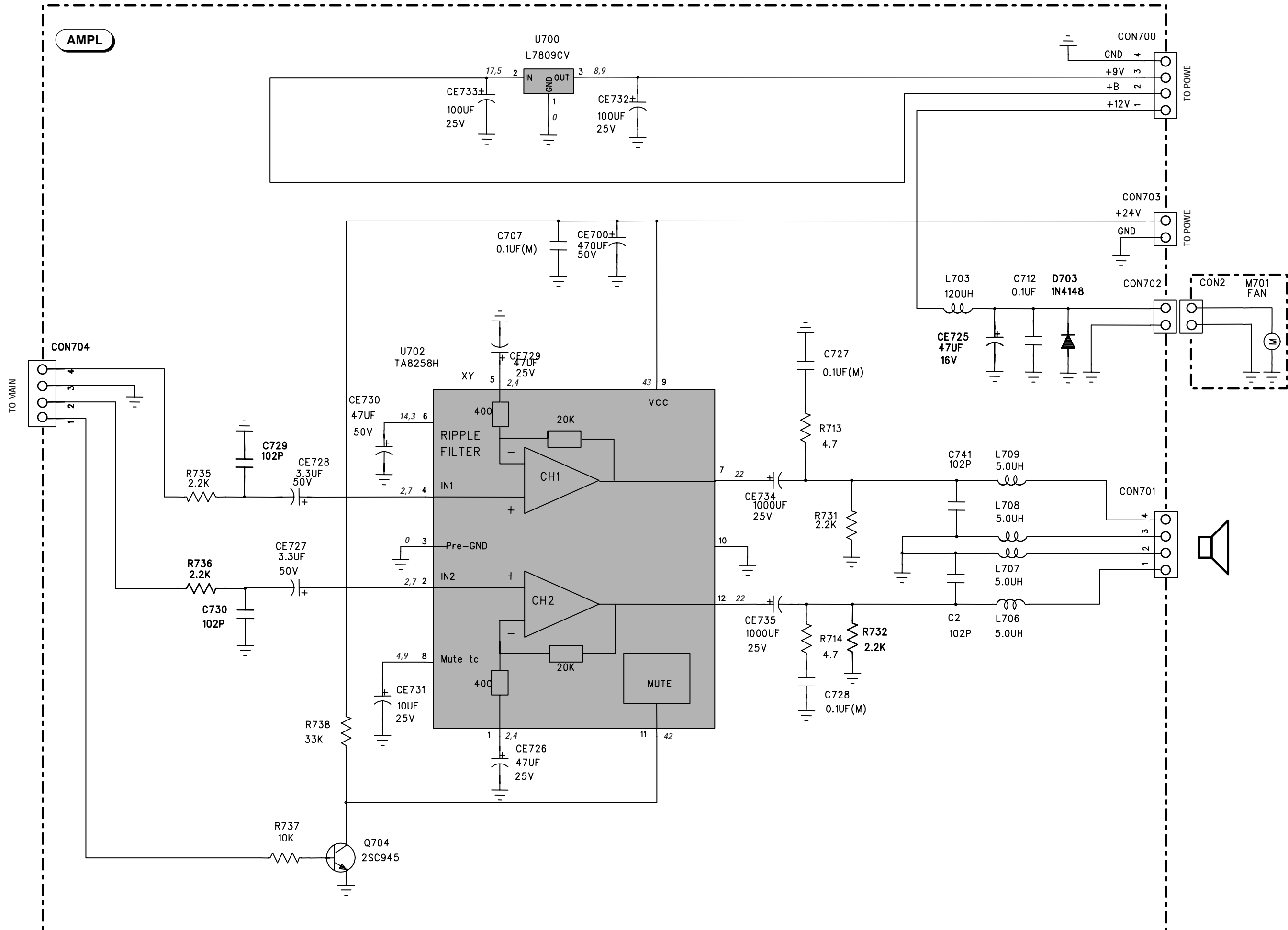


L7805AC

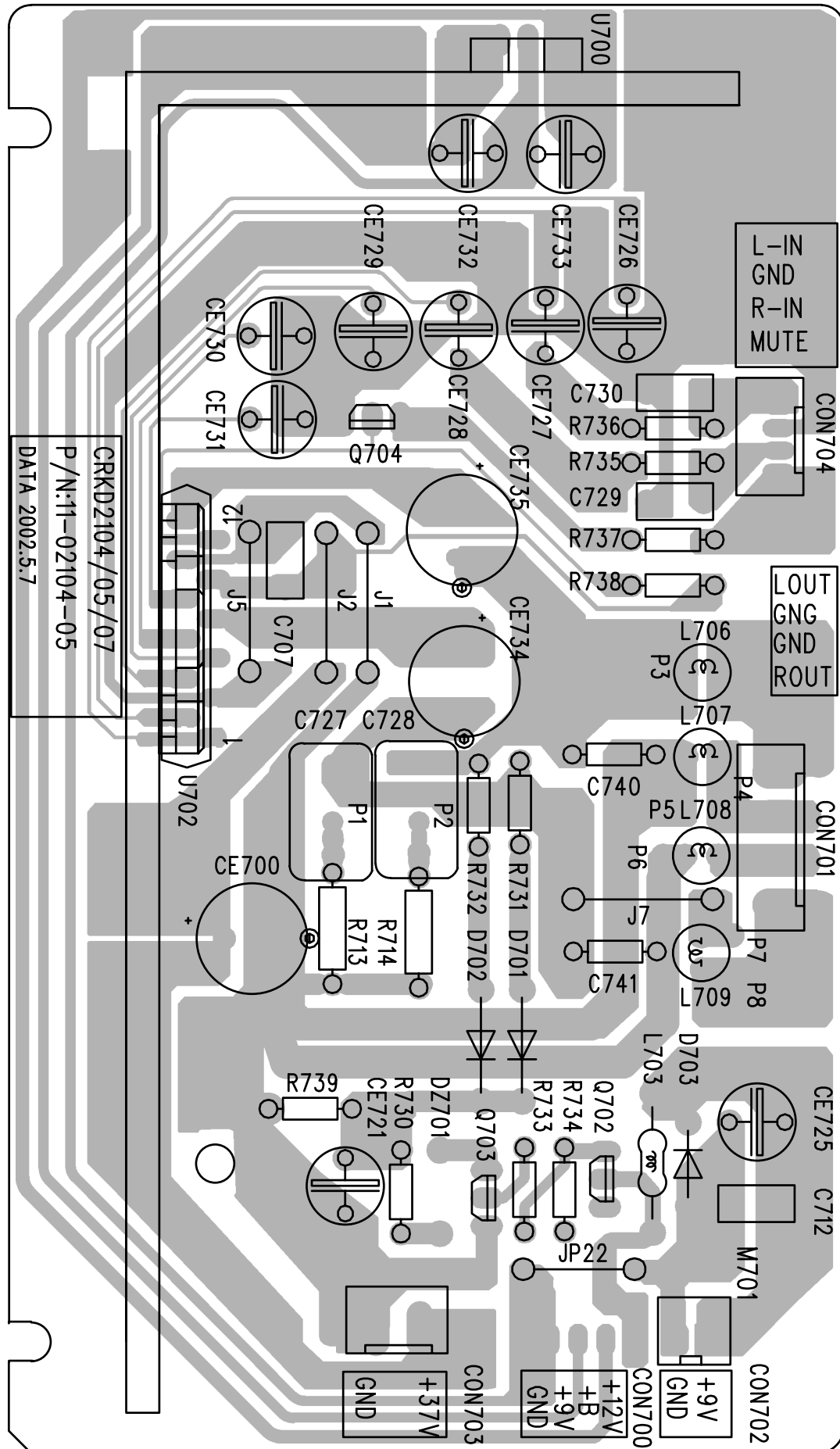


2SB1243

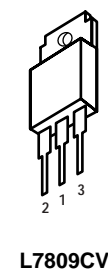
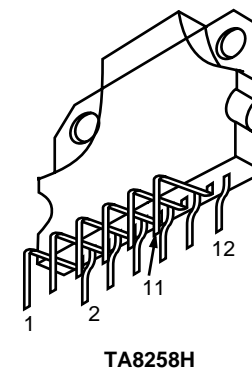
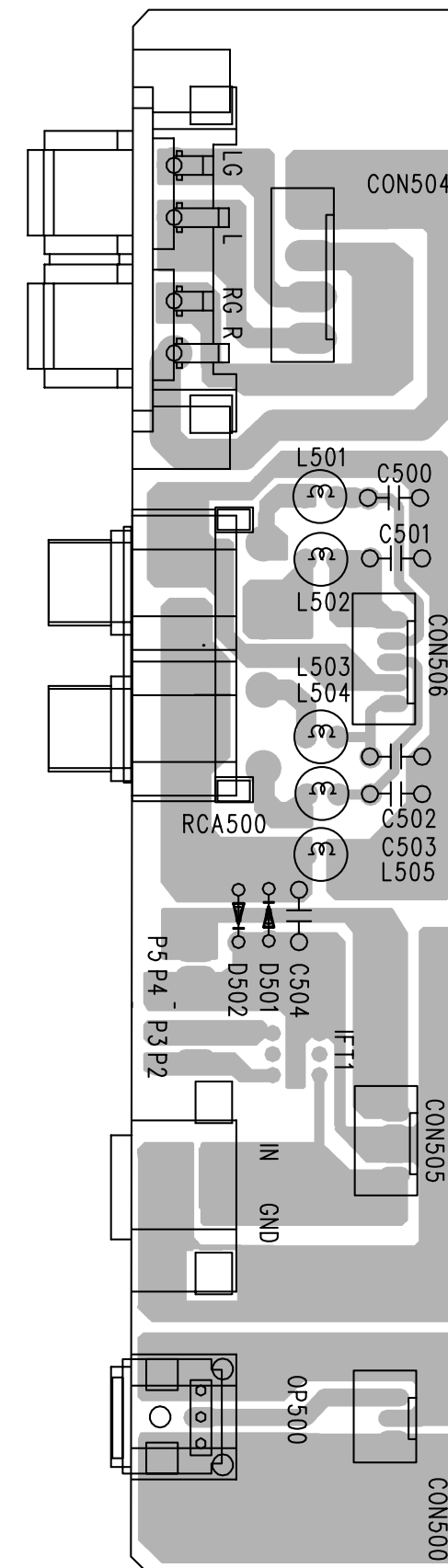
AMPLIFIER SCHEMATIC DIAGRAM - SCHEMA DE L'AMPLIFICATEUR - SCHALTBILD ENDVERSTÄRKER - SCHEMA DE L'AMPLIFICATORE - ESQUEMA DEL AMPLIFICADOR



Amplifier P.C.B.  
 Platine amplificateur  
 Ltpl. Endverstärker  
 Piastra amplificatore  
 Platina amplificador



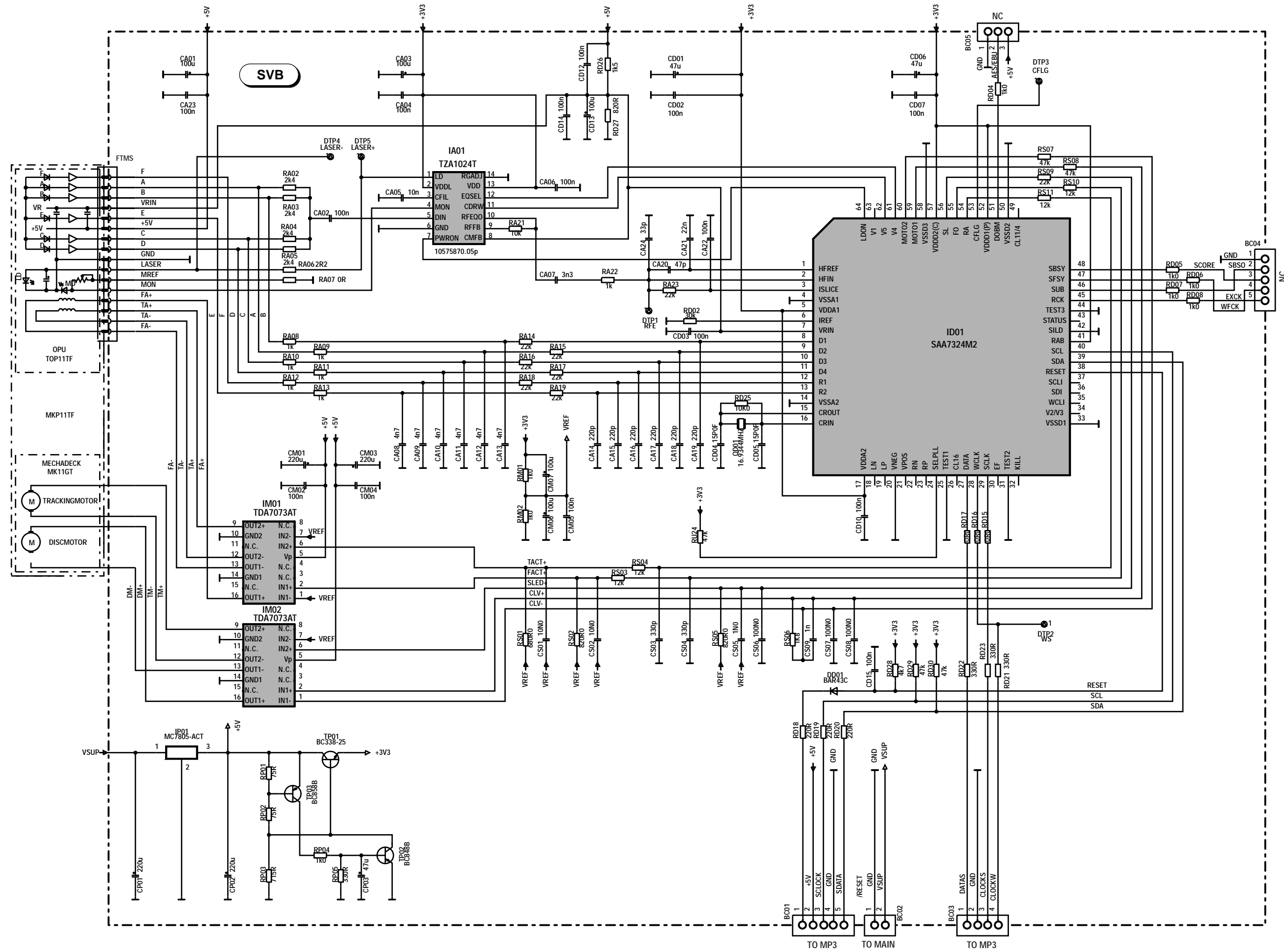
Connexion P.C.B.  
 Platine connexions  
 Anschlußplatte  
 Piastra connessione  
 Platina conexiones





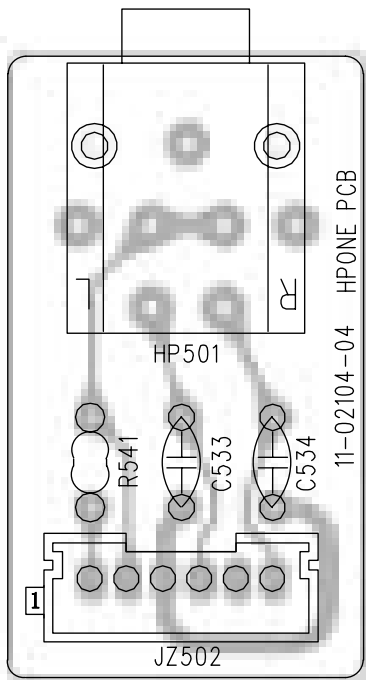
CD CONTROL MODULE SCHEMATIC DIAGRAM - SCHEMA COMMANDES CD - SCHALTBILD CD ANZEIGE - SCHEMA COMANDI CD - ESQUEMA MANDOS CD

AM 2080 / AM2180

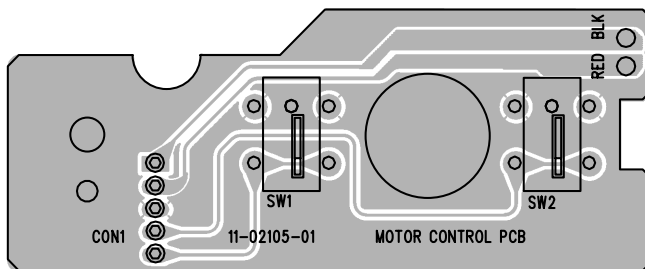




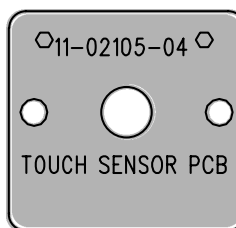
Headphone-jack P.C.B.  
 Platine prise-casque  
 Kopfhörerbuchse Ltpl.  
 Piastra presa per cuffia  
 Platina toma auriculares



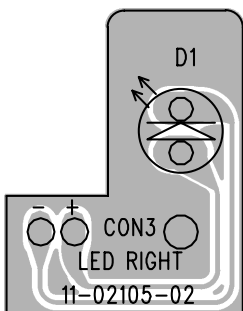
Motor control P.C.B.  
 Platine commande moteur  
 Steuerungsplatte Wechsler-Motor  
 Piastra comando motore  
 Platina mando motor



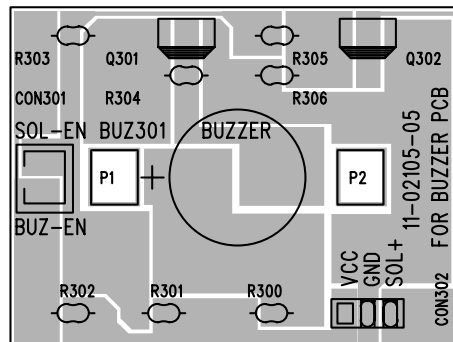
Key P.C.B.  
 Platine touche  
 Ltpl. Taste  
 Piastra tasto  
 Platina tecla



Led P.C.B.  
 Platine Led  
 Ltpl. Led  
 Piastra Led  
 Platina Led



Buzzer P.C.B.  
 Platine Buzzer  
 Ltpl. Buzzer  
 Piastra Buzzer  
 Platina Buzzer



**PARTS LIST**  
**LISTE PIECES DETACHEES**  
**ERSATZTEILLISTE**  
**LISTA PARTI DI RICAMBIO**  
**LISTA DE PIEZAS DE REPUESTO**



## THOMSON

### AM2180

### Chassis CRKD2105

#### MODULES

MAIN	MAIN	R	35663000
AMPL	AMPLI	R	35663030
ASSY	MOTOR/LED/SENSOR/BUZZER	R	35666550
INPUT	INPUT	R	35663060
KB	KEY	R	35666540
KDB	DISPLAY/CONTROL	R	35663010
MP3	MP3	R	35663050
POWE	POWER	R	35666530
SVB	TEM150-2 CD SERVO	R	10754600



IC001	TMS320VC5416PGE160 FLAT	55090810
IC002	WM8725D FLAT	35122460
IC003	M29W800AT90N1 FLAT	55136720
IC004	BA4558F FLAT	20976940
IC005	TPS76301DBVR FLAT	35663200
IC006	TPS76333DBVR FLAT	55143040
IC402	TA2099N	35663090
IC403	TC9257F FLAT	35663110
IC404	BU1924F FLAT	55048400
IC501	TC9422F FLAT	35663100
IC504	TA7291S FLAT	20264760
IC601	BA3308M	35125800
IR801	RPM6938-V4	35090120
U700	L7809CV	35663170
U702	TA8258H	35663180
U801	TMP87EP26F-1J15 FLAT	35663130
U802	PT6311 FLAT	55009420
U802	L7812C	35663160
U803,804	7805AC IC HA990	80483670



Q301,302,409, 410,413,415, 416,417,418, 419,420,421, 501,502,505, 506,601,603, 605,609,611, 612,704,801, 809	2SC945TP-P	35150450
--	------------	----------

Q401,408,412	2SA608NG	35125740
Q402,411	2SC2999D	35125750
Q404,405,406, 503,504,601, 614,615,616, 617,618,619, 620,621,622, 623,624,625, 626,627,628, 629,630,822	DTC343TS SMD	10228420
Q414	2SB1240Q	35025380
Q602,604,823	KSA928A-Y-TA	35154710
Q607	2SC1383R	10235690
Q608	2SC1740SE	35663080
Q610,613	2SA733P-T	10232490
Q800	2SC945P	35055330
Q802	2SB1243	35664560
Q805	2SA608-F	35667620
Q806	2SC536NF	35125760



D001,002	L-71040BC-C LED	35667570
D401,501,502, 602,603,605, 800,901,902	1SS-133TP	35585810
D504	BZX55C5V6/ZPD5V6	44025401
D505	ZPD6,8	44074501
D601	BZX55C9V1	90578100
D703	1N4148	44009209
D801,806,807, 808,809,810, 811,812,813, 845,846,853, 854	1N4001	16008160
D823	ZPD4,7/BZX55C4V7	20475400
D824	BZX55C27	60447870
D849,850,851, 852	1N5402-F	35147770
LED801	L-1034HD LED	10494190
Q407	SVC348-S	35125780



CF401,402,403	10M7HZ	35055340
CF404		35043500
CF405		35049070
CF406	10M7HZ	35663220
X401,801	7M2MHZ	35094790
X402	4M332HZ	35154620
X802	32K768HZ	35663150
Y1	11M2896HZ	55150080



IFT401		35025550
IFT403		35125880
IFT404		35125860
IFT405		35125850
IFT406		35125870
IFT407	114KOHZ	35125890
IFT408,409		35125840



ICP1,2	ICP-F25/N25 IC	△ 35030830
R823	220R0 OHM 5% 0,25W	△ 15009810
R843	3R3 OHM 5% 0,25W	△ 13060710



VC401	10POF	35663230
-------	-------	----------



POWER	T05972A	△ 35662970
TR801	T05416A	△ 35585820

**R : RECYCLED PART**  
**: PIECE RECYCLEE**  
**: AUSTAUSCHTEILE**  
**: RICAMBIO RICICLATO**  
**: MODULO REPROCESADO**

For any requests, please contact THOMSON multimedia after sales service area  
 Pour toutes précisions, contactez votre service apres vente local THOMSON multimedia  
 Für weitere Auskünfte, wenden Sie sich bitte an die THOMSON multimedia Kundendienst  
 Per precisazioni, contattate l'assistenza tecnica THOMSON multimedia  
 Para cualquier pregunta, por favor contactar con el responsable de zona del servicio postventa de THOMSON multimedia

**VERSION 1 10 / 2002 35666590**  
**VERSION 2 00 / 0000**

1/5

**OTHER PARTS  
AUTRES PIECES  
SONSTIGE TEILE  
ALTRE PARTI  
OTRAS PIEZAS**

BUZ301	BUZZER BUZZER BUZZER VIBRATORE A CICALINO ZUMBADOR	35667590
F803	4AT 250V TIME-LAG FUSE $\Delta$ 4AT 250V FUSIBLE TEMPORISE 4AT 250V SICHERUNG 4AT 250V FUSIBILE TEMPORIZZATO 4AT 250V FUSIBLE TEMPORIZADO	35049750
F804	2AT 250V TIME-LAG FUSE $\Delta$ 2AT 250V FUSIBLE TEMPORISE 2AT 250V SICHERUNG 2AT 250V FUSIBILE TEMPORIZZATO 2AT 250V FUSIBLE TEMPORIZADO	48029300
FM500	ANTENNA SOCKET FM PRISE ANTENNE FM ANTENNENBUCHSE FM PRESA ANTENNA FM TOMA DE ANTENA FM	35656690
HP501	HEADPHONE SOCKET PRISE CASQUE KOPFHUERERBUCHSE PRESA JACK TOMA JACK	35663120
IC401	ENV17105G1 TUNER ENV17105G1 TETE ENV17105G1 TUNER ENV17105G1 SINTONIZZATORE ENV17105G1 SINTONIZADOR	35586030
M701	RDL6015S 12VDC FAN RDL6015S 12VDC VENTILATEUR RDL6015S 12VDC VENTILATOR RDL6015S 12VDC VENTOLA RDL6015S 12VDC VENTILADOR	55188060
OP500	OPTICAL SOCKET PRISE OPTIQUE BUCHSE PICK-UP PRESA OTTICA TOMA OPTICO	35656410
RCA501	CINCH SOCKET X4 PRISE CINCH X4 CHINCH-BUCHSE X4 PRESA CINCH X4 TOMA CINCH X4	35663190
RLY801	ME-10-005-HBS RELAY ME-10-005-HBS RELAIS ME-10-005-HBS RELAIS ME-10-005-HBS RELEE ME-10-005-HBS RELEE	$\Delta$ 35662980
SP501	LOUDSPEAKER SOCKET PRISE HAUT PARLEUR LAUTSPRECHERBUCHSE PRESA ALTOPARLANTE TOMA HEMBRA ALTAVOZ	35033350
SW001.002	SWITCH COMMUTATEUR SCHALTER COMMUTATORE COMMUTADOR	35667610
SW600.601, 602,603,604, 605,607,608, 609,610,611, 612,613,614, 615,616,617, 618,619,620, 800,801,802, 803,804,805, 806,807,808	MICROSWITCH MICRO CONTACTEUR MIKROSCHALTER MICROINTERRUTTORE MICROCONTACTOR	35663140

VFD801	DISPLAY LCD AFFICHEUR LCD LCD-ANZEIGE VISUALIZZATORE LCD VISUALIZADOR LCD	35656160
--------	---	----------

**EQUIPMENT/PRESENTATION  
EQUIPEMENT/PRESENTATION  
AUSSTATTUNG/GEHAEUSE  
PARTI VARIE  
EQUIPO/PRESENTACION**

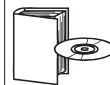
AM2180 (REMOTE CONTROL) AM2180 (TELECOMMANDE) AM2180 (FERNBEDIENUNG) AM2180 (TELECOMANDO) AM2180 (TELEMANDO)		35666580
LOUDSPEAKER BOX ASSY RIGHT AND LEFT ENCEINTE ACOUSTIQUE GAUCHE ET DROITE LAUTSPRECHERBOX RECHTS UND LINKS CASSA ACUSTICA DESTRO E SINISTRO CAJA ACUSTICA DERECHA Y IZQUIERDA		35666570
LOUDSPEAKER BOX RIGHT ENCEINTE ACOUSTIQUE DROITE LAUTSPRECHERBOX RECHTS CASSA ACUSTICA DESTRA CAJA ACUSTICA DERECHA		35667910
LOUDSPEAKER BOX LEFT ENCEINTE ACOUSTIQUE GAUCHE LAUTSPRECHERBOX LINKS CASSA ACUSTICA SINISTRA CAJA ACUSTICA IZQUIERDA		35667900
MULTIMEDIA CD ROM MULTIMEDIA CD ROM MULTIMEDIA CD ROM MULTIMEDIA CD ROM MULTIMEDIA CD ROM		55317030
FOLDING BOX EMBALLAGE CARTON KARTON IMBALLGGIO CARTONE EMBALAJE CARTON		55305750
FITTING LEFT CALE GAUCHE POLSTER LINKS Distanziatore SINISTRO CALZO IZQUIERDO		35662960
FITTING RIGHT CALE DROITE POLSTER RECHTS Distanziatore DESTRO CALZO DERECHO		35662950
AM ANTENNA AM ANTENNE ANTENNE AM ANTENNA AM ANTENA AM		35585940
FM ANTENNA ANTENNE FM FM ANTENNE ANTENNA FM ANTENA FM		35147630
POWER SUPPLY LEAD CORDON D'ALIMENTATION NETZKABEL CAVO DI ALIMENTAZIONE CABLE DE ALIMENTACION		$\Delta$ 10260880

**MECHANISM  
MECANIQUE  
MECHANIK  
MECCANICA  
MECANISMO**

CASSETTE MECHANISM MECANIQUE CASSETTE CASSETTENLAUFWERK MECCANICA CASSETTA MECANISMO CASSETTE		35666800
TCP11TL3 + CD 3 DISC CHASSIS ASSY TCP11TL3 + CHASSIS CD 3 DISQUES EQUIPE TCP11TL3 + CD-WECHSLER K.P.L TCP11TL3 + CHASSIS CD 3 DISCOS COMPLETO TCP11TL3 + CHASIS CD 3 DISCOS EQUIPADO		35662900
TCP11TL3 OPTICAL PLAYER TCP11TL3 LECTEUR OPTIQUE TCP11TL3 CD-LAUFWERK TCP11TL3 ASSIEME OTTICA TCP11TL3 MECANISMO OPTICO		10757770

**ACCESSORIES  
ACCESSOIRES  
ZUBEHOER  
ACCESSORI  
ACCESORIOS**

LC20 CD DVD CD-ROM LENS CLEANER LC20 NETTOYEUR DE LENTILLE CD DVD CD-ROM LC20 LINSREINIGER FÜR CD DVD CD-ROM LC20 PULITORE PER LENTI DI CD DVD CD-ROM LC20 LIMPIADOR DE LENTE CD DVD CD-ROM		35128640
---	--	----------



AM2180 UM TH AM2180 NU TH AM2180 BA TH AM2180 IU TH AM2180 IU TH		55469230
AM2180 PARTS LIST AM2180 LISTE DE PIECES DETACHEES AM2180 ERSATZTEILLISTE AM2180 LISTA PARTI DI RICAMBIO AM2180 LISTA DE PIEZAS DE REPUESTO		35666590
CRKD2104/2105/2107 SERVICE MANUAL CRKD2104/2105/2107 DOCUMENT. TECHNIQUE CRKD2104/2105/2107 TECH. DOKUMENTATION CRKD2104/2105/2107 DOCUMENT. TECNICA CRKD2104/2105/2107 DOCUMENT. TECNICA		35663320

**CHASSIS AND PRESENTATION  
CHASSIS ET PRESENTATION  
CHASSIS UND GEHAEUSETEILE  
TELAIO E DI PRESENTAZIONE  
CHASIS Y PRESENTACION**

01 TRAY CD WINDOW GLACE VOLET CD FENSTER CD KLAPPE VETRO DEL SPORTELLO CD CRISTAL DEL TAPA CD		35666600
02 CD DOOR BUTTON TRIM LEFT BOUTON DECORATION GAUCHE VOLET CD CD KLAPPE ZIERRAHMEN TASTE LINKS FINIZIONE TASTO SINISTRO DI SPORTELLO CD TECLA EMBELLECEDOR IZQUIERDO TAPA CD		35662800

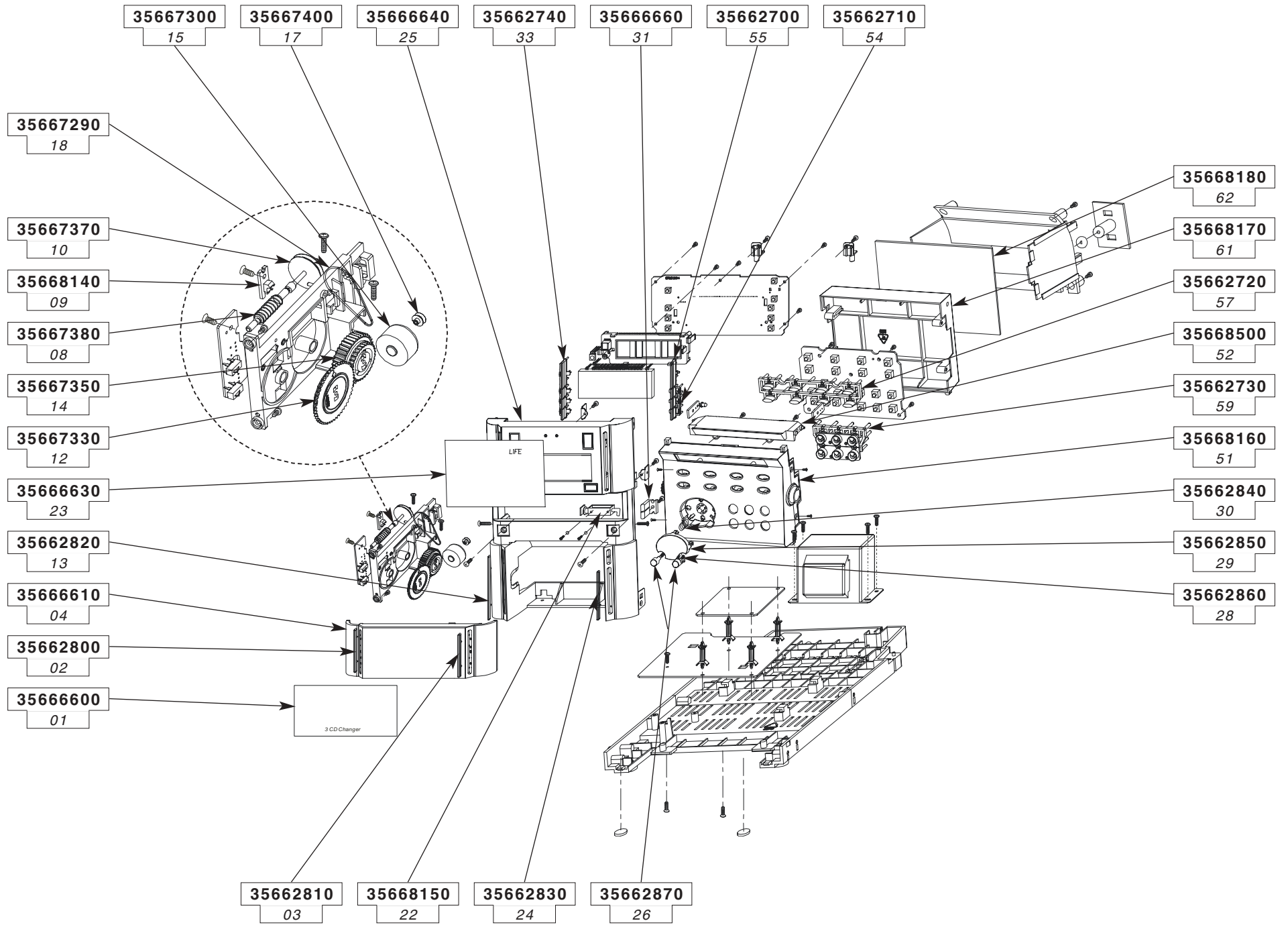
03	CD DOOR BUTTON TRIM RIGHT BOUTON DECORATION DROIT VOLET CD CD Klappe Zierrahmen Taste Rechts Finizione Tasto Destro Di Sportello CD Tecla Embellecedor Derecho Tapa CD	35662810
04	TRAY CD VOLET CD CD Klappe Sportello CD Tapa CD	35666610
08	INTERMEDIATE SPINDLE AXE INTERMEDIAIRE Zwischenachse Spinotto Intermedio Eje Intermedio	35667380
09	INTERMEDIATE SPINDLE HOLDER SUPPORT AXE INTERMEDIAIRE Zwischenachse Halter Supporto Spinotto Intermedio Soporte Eje Intermedio	35668140
10	PULLEY POULIE ROLLE PULEGGIA POLEA	35667370
12	GEAR WHEEL ROUE DENTEE Zahnrad Ruota Dentata Rueda Dentada	35667330
13	FRONT PANEL BUTTON TRIM LEFT BOUTON DECORATION GAUCHE FACADE Frontplatte Zierrahmen Taste Links Finizione Tasto Sinistro Pannel. Frontal Tecla Embellecedor Izquierdo Panel Front.	35662820
14	DUAL GEAR DOUBLE ENGRENAGE Doppel Zahnrad Doppio Pignone Doble Pinon	35667350
15	WRF-300FA-11420 MOTOR DC WRF-300FA-11420 MOTEUR DC WRF-300FA-11420 MOTOR DC WRF-300FA-11420 MOTORE DC WRF-300FA-11420 MOTOR DC	35667300
17	MOTOR PULLEY POULIE MOTEUR Motorrolle Puleggia Del Motore Polea De Motor	35667400
18	RUBBER BELT (MOTOR) COURROIE CAOUTCHOUC (MOTEUR) Antriebsriemen (Motor) Cinghia Di Gomma (Motore) Correa De Goma (Motor)	35667290
22	SOLENOID (DC12V) ELECTRO-AIMANT (DC12V) ELEKTROMAGNET (DC12V) Elettrocalamita (DC12V) Electroiman (DC12V)	35668150
23	DISPLAY WINDOW GLACE AFFICHEUR Anzeigefenster Vetro Del Visualizzatore Cristal Del Visualizador	35666630
24	FRONT PANEL BUTTON TRIM RIGHT BOUTON DECORATION DROIT FACADE Frontplatte Zierrahmen Taste Rechts Finizione Tasto Destro Pannello Frontale Tecla Embellecedor Derecho Panel Frontal	35662830
25	FRONT PANEL FACADE FRONTPLATTE Pannello Frontale Panel Frontal	35666640

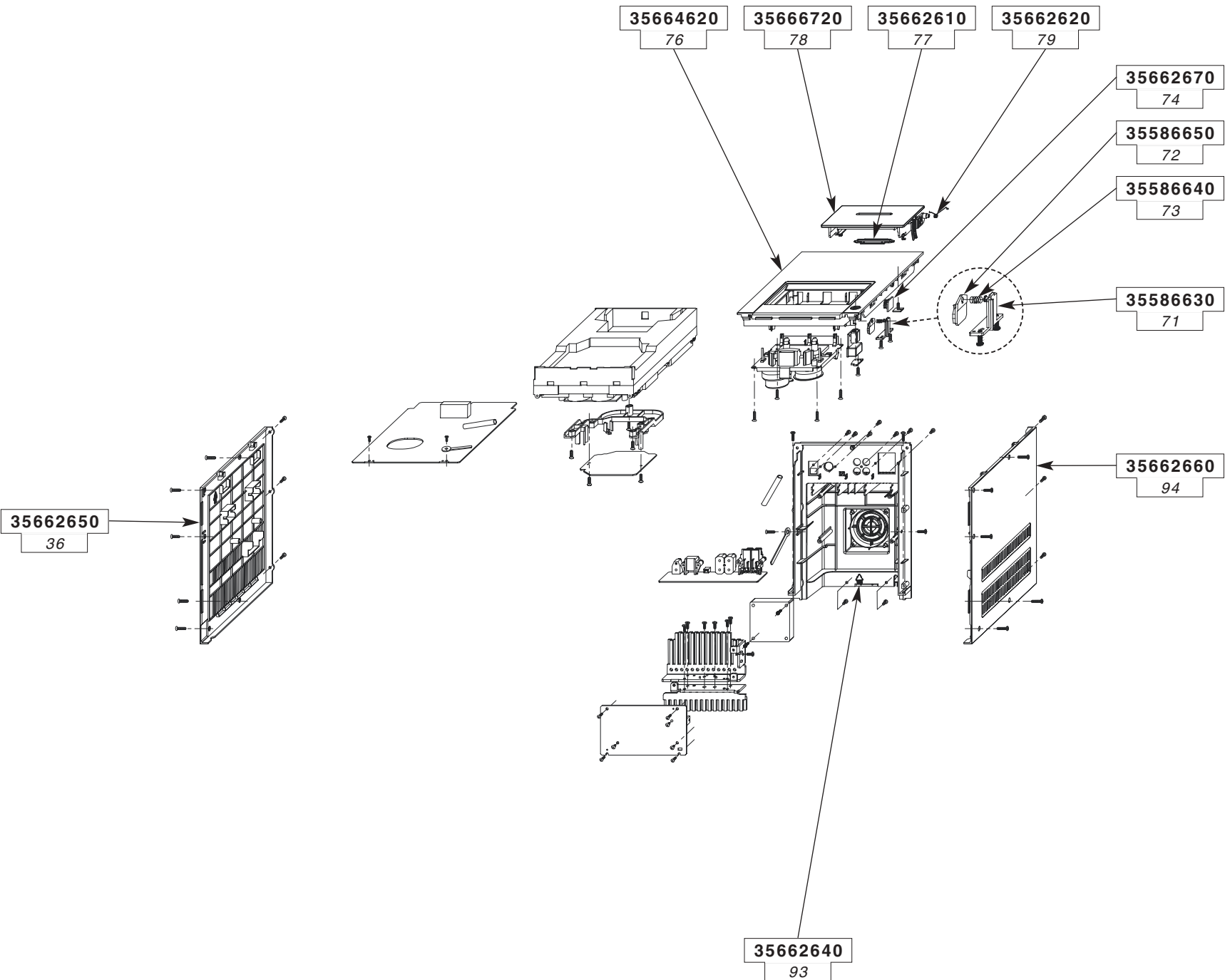
26	BOOKMARK OR PLAYLIST BUTTON TOUCHE BOOKMARK OU PLAYLIST BOOKMARK ODER PLAYLIST TASTE TASTO BOOKMARK O PLAYLIST Tecla Bookmark O Playlist	35662870
28	SPRING BOOKMARK/PLAYLIST BUTTON RESSORT TOUCHE BOOKMARK/PLAYLIST NADELFEDER BOOKMARK/PLAYLIST TASTE Molla Di Tasto Bookmark/Playlist RESSPORTE DE TECLA BOOKMARK/PLAYLIST	35662860
29	BUTTON 4 DIRECTIONS TOUCHE 4 DIRECTIONS Taste 4 Richtungs Tasto 4 Direziones Tecla 4 Direccions	35662850
30	SPRING BUTTON 4 DIRECTIONS RESSORT TOUCHE 4 DIRECTIONS NADELFEDER TASTE 4 Richtungs Molla Di Tasto 4 Direziones RESSPORTE DE TECLA 4 DIRECCIONS	35662840
31	SENSOR KNOB TOUCHE SENSOR Taste Sensor Tasto Sensor Tecla Sensor	35666660
33	BUTTON STRIP POWER/SOURCE/ DEMO/TIMER BARRETTE TOUCHES POWER/SOURCE/ DEMO/TIMER TASTENLEISTE POWER/SOURCE/ DEMO/TIMER PIATTINA TASTI POWER/SOURCE/ DEMO/TIMER PLACA DE TECLAS POWER/SOURCE/ DEMO/TIMER	35662740
51	FRONT MOTORIZED DOOR VOLET MOTORISE AVANT Motorisiert Frontklappe Sportello Motorizzato Frontale Tapa Motorizado Frontal	35668160
52	BLUE LAMP WINDOW GLACE LAMPE BLEUE Fenster Blau Lampe Vetro Del Lampada Blu Cristal Del Lampara Azul	35668500
54	BUTTON STRIP DISC 1/2/3 BARRETTE TOUCHE DISC 1/2/3 TASTENLEISTE DISC 1/2/3 PIATTINA TASTI DISC 1/2/3 PLACA DE TECLAS DISC 1/2/3	35662710
55	VOLUME KNOB BOUTON VOLUME Lautstaerkeknoepf Rotella Di Plastica Volume Rueda Plastica Mando Volumen	35662700
57	BUTTON STRIP 8 KEYS BARRETTE DE 8 TOUCHES TASTENLEISTE 8 TASTE PIATTINA 8 TASTI PLACA DE 8 TECLAS	35662720
59	BUTTON STRIP 6 KEYS BARRETTE DE 6 TOUCHES TASTENLEISTE 6 TASTE PIATTINA 6 TASTI PLACA DE 6 TECLAS	35662730
61	REAR MOTORIZED DOOR VOLET MOTORISE ARRIERE Motorisiert Hintenklappe Sportello Motorizzato Posteriore Tapa Motorizado Posterior	35668170
62	MOTORIZED FLAP WINDOW GLACE VOLET MOTORISE Motorisiert Fenster Klappe Vetro Del Sportello Motorizzato Cristal Del Tapa Motorizado	35668180

## CHASSIS AND PRESENTATION 2 CHASSIS ET PRESENTATION 2 CHASSIS UND GEHAEUSETEILE 2 TELAIO E DI PRESENTAZIONE 2 CHASIS Y PRESENTACION 2

36	SIDE PANEL LEFT PANNEAU LATERAL GAUCHE Seitenteil Links Pannello Laterale Sinistro Panel Lateral Izquierdo	35662650
71	LOCK CASSETTE DOOR HOLDER SUPPORT VERROU DU VOLET CASSETTE RIEGEL CASSETTE Klappe Halter Supporto Chiusura Sportello Cassetta Soporte Errojo Tapa Casette	35586630
72	LOCK CASSETTE DOOR VERROU DU VOLET CASSETTE RIEGEL CASSETTE Klappe Chiusura Sportello Cassetta Errojo Tapa Casette	35586650
73	LOCK CASSETTE DOOR SPRING RESSORT VERROU DU VOLET CASSETTE Feder Riegel Casette Klappe Molla Chiusura Sportello Cassetta Resorte Errojo Tapa Casette	35586640
74	CASSETTE DOOR DAMPER GEAR ROUE DENTEE PORTE CASSETTE Zahnrad Cassettenhalter Ruota Dentata Portacassetta Rueda Dentada Portacasette	35662670
76	UPPER CASE COFFRET SUPERIEUR Gehaeuse Oben Cassa Superiore Caja Superior	35664620
77	CASSETTE FLAP WINDOW GLACE VOLET CASSETTE Fenster Cassettenklappe Vetro Sportello Cassetta Cristal Tapa Casette	35662610
78	CASSETTE FLAP DOOR VOLET CASSETTE Cassettenklappe Sportello Cassetta Tapa Casette	35666720
79	SPRING TORSION HOLDER CASSETTE RESSORT A EPINGLE VOLET CASSETTE NADELFEDER Cassettenklappe Molla Di Torsione Portacassetta Resorte Horquilla Portacasette	35662620
93	REAR PANEL COFFRET ARRIERE Rueckwand Pannello Posteriore Tapa Posterior	35662640
94	SIDE PANEL RIGHT PANNEAU LATERAL DROIT Seitenteil Rechts Pannello Laterale Destro Panel Lateral Derecho	35662660

CHASSIS AND PRESENTATION / CHASSIS ET PRESENTATION / CHASSIS UND GEHAEUSETEILE /  
TELAIO E DI PRESENTAZIONE / CHASIS Y PRESENTACION





**CHASSIS AND PRESENTATION 2 / CHASSIS ET PRESENTATION 2 / CHASSIS UND GEHAEUSETEILE 2 /  
TELAIO E DI PRESENTAZIONE 2 / CHASIS Y PRESENTACION 2**

**AM2180**

The description and characteristics given here are of informative significance only, and non committal. To keep up the high quality of our products, we reserve the right to make any changes or improvement without previous notice. • Les descriptions et caractéristiques figurant sur ce document sont données à titre d'information et non d'engagement. En effet, soucieux de la qualité de nos produits, nous nous réservons le droit d'effectuer, sans préavis, toute modification ou amélioration. • Die Beschreibungen und Daten in dieser Anleitung dienen nur zur Information und sind nicht bindend. Um die Qualität unserer Produkte ständig zu verbessern, behalten wir uns das Recht auf Änderungen vor. • La descrizione e le caratteristiche date su questo documento sono fornite a semplice titolo informativo e senza impegno. Ci riserviamo il diritto di eseguire, senza preavviso, qualsiasi modifica o miglioramento. • Las descripciones y características que figuran en este documento se dan a título de información y no de compromiso. En efecto, en bien de la calidad de nuestros productos, nos reservamos el derecho de efectuar, sin previo aviso, cualquier modificación o mejora.