



# THOMSON

## AUDIO

### Brandt

### FERGUSON

### SABA

### TELEFUNKEN

### THOMSON

**PARTS LIST**  
**LISTE PIECES DETACHEES**  
**ERSATZTEILLISTE**  
**LISTA PARTI DI RICAMBIO**  
**LISTA DE PIEZAS DE REPUESTO**



**THOMSON**  
**CS550**  
**Chassis CRKD2109**

#### MODULES

MAIN	MAIN/AMPLI	R	55584510
KDB	DISPLAY/CONTROL	R	55743070
POWE	POWER	R	55598750
RFFI	TUNER	R	55274940
SVB	NEO5 CD SERVO	R	55549620
SVB	EA MB CD9 00IW CD SERVO	R	10785680



IC300	AN7348K		20693340
IC302	BA7755A		10214460
IC401	TDA7440D FLAT		55097860
IC501	STK412-010		55599250
IC502	BA4558F FLAT		20976940
IC503	LM317P	△	55344820
IC601	LM4809MM FLAT		55575140
IC701	UPD780206GF-134-3BA FLAT		55552990
IC703	M24C01BN6		20924140
ICP1	200M0 65.0V	△	55739230
IR701	GP1U287R		20852030



Q305,401,506, 702,710,901	KTC3203Y/KTC2120Y		20538220
Q327,511,521, 804	KTA1271Y		20685080
Q328,331,601	KRC107S SMD		55051240
Q330,716	KTA1504GR SMD		20779750
Q501	KRA107S SMD		55051260
Q502,503	DTC323TK SMD		35095360
Q504,505,513, 516	2N5551		20534520
Q507,508,512, 520,701,703, 704,705,706, 711,712,713, 714,715,717, 801,805,806	KTC3875GR SMD		20779850
Q509	KTC2804Y		55095800
Q802	KTA1273Y/KTA966Y		10448970



D101	GBU8J		55289750
D102	G5SBA60		55192330
D402,508,816	BZX55C7V5		80444150
D403,404,501, 507,703,704, 707,708,709, 710,711,717, 718,802,901, J510	1N4148		44009209
D502,809,819, JP804	1N4001		16008160
D503,504	MTZJ15V		55196280
D601	1N5230B 4.7V		20289370
D701	BZX55C6V2 500MW		20475410
D702	1N5235B		20526990
D721,722,723, 724,725,726, 727	53B3SCB701 LED		55428540
D810	BZX85C30		30948640
D812,813,814, 815	1N5392		10232130
D902,903,904, 905	1N4002		11070780
Q514,515	2N5401		55095810



Y701	4M19HZ		20776150
------	--------	--	----------



L901		△	70182000
------	--	---	----------



EN701			55064450
-------	--	--	----------



R513L,513R	OR22 OHM 5% 5W	△	21080020
R810	OR27 OHM 10% 1.0W	△	55154180



C901,902	4N7F 20% 250V	△	20677520
----------	---------------	---	----------



POWER		△	55589660
TP501		△	55038390

**R : RECYCLED PART**  
**: PIECE RECYCLEE**  
**: AUSTAUSCHTEILE**  
**: RICAMBIO RICICLATO**  
**: MODULO REPROCESADO**

For any requests, please contact THOMSON multimedia after sales service area  
 Pour toutes précisions, contactez votre service apres vente local THOMSON multimedia  
 Für weitere Auskünfte, wenden Sie sich bitte an die THOMSON multimedia Kundendienst  
 Per precisazioni, contattate l'assistenza tecnica THOMSON multimedia  
 Para cualquier pregunta, por favor contactar con el responsable de zona del servicio postventa de THOMSON multimedia

**VERSION 1 06 / 2003 35725700**  
**VERSION 2 00 / 0000**

1/4

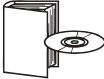
**OTHER PARTS  
AUTRES PIECES  
SONSTIGE TEILE  
ALTRE PARTI  
OTRAS PIEZAS**

	RDM8015S FAN RDM8015S VENTILATEUR RDM8015S VENTILATOR RDM8015S VENTOLA RDM8015S VENTILADOR	55407940
F901	1A6T 250V TIME-LAG FUSE Δ 1A6T 250V FUSIBLE TEMPORISE 1A6T 250V SICHERUNG 1A6T 250V FUSIBILE TEMPORIZZATO 1A6T 250V FUSIBLE TEMPORIZADO	48064700
FL701	DISPLAY VFD AFFICHEUR VFD VFD-ANZEIGE VISUALIZZATORE VFD VISUALIZADOR VFD	55635210
NJ401	CINCH SOCKET X2 PRISE CINCH X2 CHINCH-BUCHSE X2 PRESA CINCH X2 TOMA CINCH X2	55548810
NJ501	LOUDSPEAKER SOCKET PRISE HAUT PARLEUR LAUTSPRECHERBUCHSE PRESA ALTOPARLANTE TOMA HEMBRA ALTAVOZ	20604680
NJ504	HEADPHONE SOCKET PRISE CASQUE KOPFHÖRERBUCHSE PRESA JACK TOMA JACK	55309050
REL1	RELAY 12V 3A RELAIS 12V 3A RELAY 12V 3A RELEE 12V 3A RELEE 12V 3A	Δ 55048920
RLY901	SDT-S-112LMR RELAY 12V SDT-S-112LMR RELAIS 12V SDT-S-112LMR RELAYS 12V SDT-S-112LMR RELEE 12V SDT-S-112LMR RELEE 12V	Δ 35095470
SW701,702, 703,704,705, 706,707,708, 709,711,712, 713,714,715, 716,717,718, 719,721,722, 723,724,725, 726,727	MICROSWITCH MICROCONTACTEUR MIKROSCHALTER MICROINTERRUTTORE MICROCONTACTOR	20404730

**EQUIPMENT/PRESENTATION  
EQUIPEMENT/PRESENTATION  
AUSSTATTUNG/GEHÄUSE  
PARTI VARIE  
EQUIPO/PRESENTACION**

	CS550 (REMOTE CONTROL) CS550 (TELECOMMANDE) CS550 (FERNBEDIENUNG) CS550 (TELECOMANDO) CS550 (TELEMANDO)	55691620
	LOUDSPEAKER BOX ASSY RIGHT AND LEFT ENCEINTE ACOUSTIQUE GAUCHE ET DROITE LAUTSPRECHERBOX RECHTS UND LINKS CASSA ACUSTICA DESTRO E SINISTRO CAJA ACUSTICA DERECHA Y IZQUIERDA	55691610
	LOUDSPEAKER BOX RIGHT ENCEINTE ACOUSTIQUE DROITE LAUTSPRECHERBOX RECHTS CASSA ACUSTICA DESTRA CAJA ACUSTICA DERECHA	35725680
	LOUDSPEAKER BOX LEFT ENCEINTE ACOUSTIQUE GAUCHE LAUTSPRECHERBOX LINKS CASSA ACUSTICA SINISTRA CAJA ACUSTICA IZQUIERDA	35725670
	POWER SUPPLY LEAD CORDON D'ALIMENTATION NETZKABEL CAVO DI ALIMENTAZIONE CABLE DE ALIMENTACION	62046600
	FOLDING BOX EMBALLAGE CARTON KARTON IMBALLAGGIO CARTONE EMBALAJE CARTON	5570181A
	FITTING RIGHT CALE DROITE POLSTER RECHTS Distanziatore DESTRO CALZO DERECHO	55699520
	FITTING LEFT CALE GAUCHE POLSTER LINKS Distanziatore SINISTRO CALZO IZQUIERDO	55699490
	AM ANTENNA ASSY ANTENNE AM CPL AM ANTENNE KPL ANTENNA AM CPL ANTENA AM CPL	55149810

**MECHANISM  
MECANIQUE  
MECHANIK  
MECCANICA  
MECANISMO**

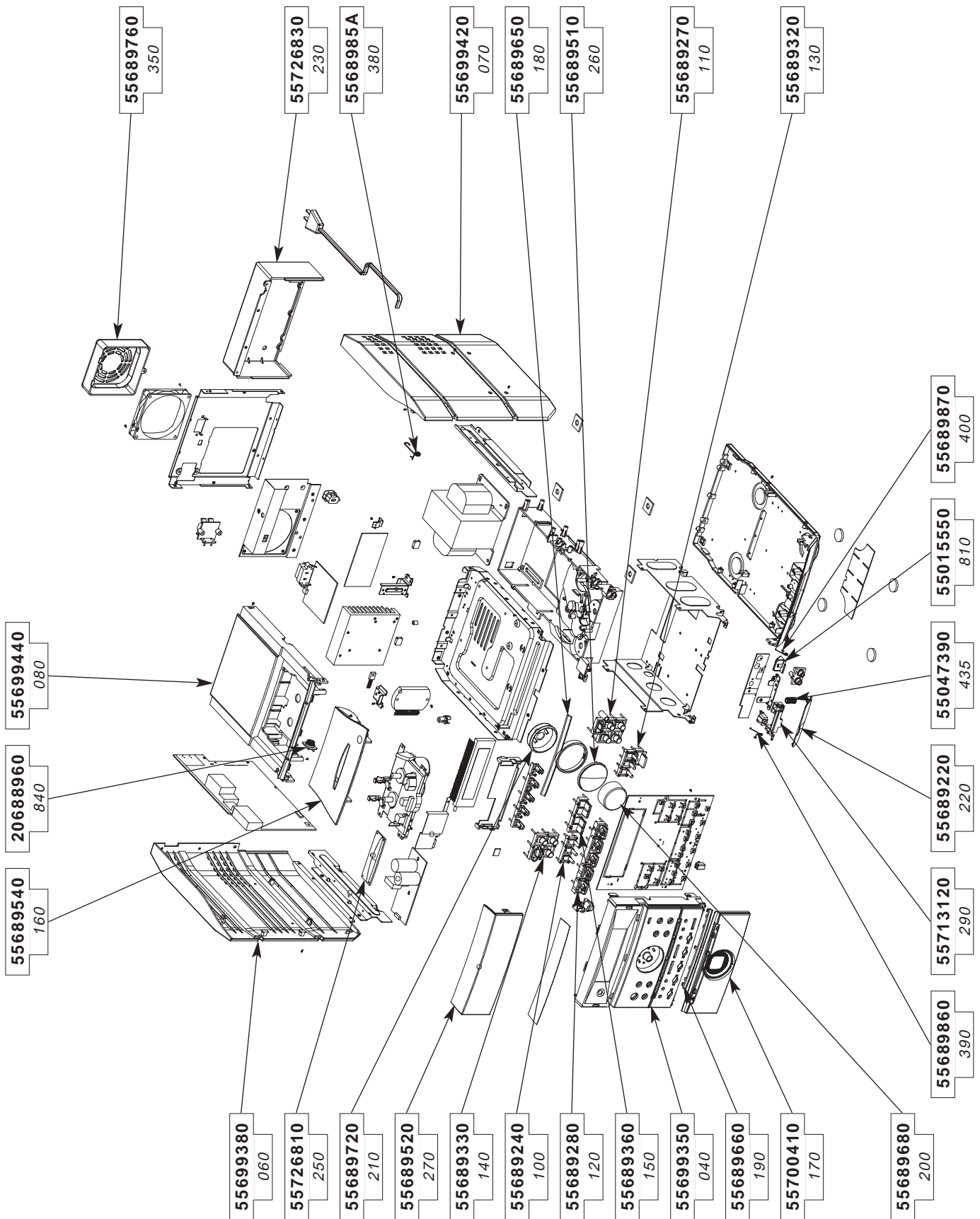
	TCM130-0IWD + 5CD MECHA. ASSY(NE05) TCM130-0IWD + MECANISME 5CD CPL(NE05) TCM130-0IWD + 5CD-WECHSLER KPL(NE05) TCM130-0IWD + MECCANISMO 5CD CPL(NE05) TCM130-0IWD + MECANISMO 5CD CPL(NE05)	55552120
	TCM130-0IWD OPTICAL PLAYER TCM130-0IWD LECTEUR OPTIQUE TCM130-0IWD CD-LAUFWERK TCM130-0IWD ASSIEME OTTICA TCM130-0IWD MECANISMO OPTICO	10750810
	MKP11KV1-GC OPTICAL HEAD ONLY MKP11KV1-GC TETE OPTIQUE SEULE MKP11KV1-GC LASER-ABTASTER MKP11KV1-GC TESTINA OTTICA MKP11KV1-GC CABEZA OPTICA SOLA	10742550
	BUSH RUBBER CD FRONT AMORTISSEUR CAOUTCHOUC CD AVANT DAEMPFER GUMMI CD VORN AMMORTIZZATORE DI GOMMA CD ANTERIORE AMORTIGUADOR DE GOMA CD DELANTERA	20446740
	BUSH RUBBER CD REAR AMORTISSEUR CAOUTCHOUC CD ARRIERE DAEMPFER GUMMI CD HINTEN AMMORTIZZATORE DI GOMMA CD POSTERIORE AMORTIGUADOR DE GOMA CD TRASERA	20365070
	CASSETTE MECHANISM MECANIQUE CASSETTE CASSETTENLAUFWERK MECCANICA CASSETTA MECANISMO CASSETTE	55598790
		
	CS550 UM TH CS550 NU TH CS550 BA TH CS550 IU TH CS550 IU TH	55701820
	CS550 PARTS LIST CS550 LISTE DE PIECES DETACHEES CS550 ERSATZTEILLISTE CS550 LISTA PARTI DI RICAMBIO CS550 LISTA DE PIEZAS DE REPUESTO	35725700
	CRKD2109 TH SERVICE MANUAL CRKD2109 TH DOCUMENTATION TECHNIQUE CRKD2109 TH TECHNISCHE DOKUMENTATION CRKD2109 TH DOCUMENTAZIONE TECNICA CRKD2109 TH DOCUMENTACION TECNICA	35725690

**CHASSIS AND PRESENTATION  
CHASSIS ET PRESENTATION  
CHASSIS UND GEHAEUSETEILE  
TELAIO E DI PRESENTAZIONE  
CHASIS Y PRESENTACION**

040	FRONT PANEL FACADE FRONTPLATTE PANNELLO FRONTALE PANEL FRONTAL	55699350
060	SIDE PANEL LEFT PANNEAU LATERAL GAUCHE SEITENTEIL LINKS PANNELLO LATERALE SINISTRO PANEL LATERAL IZQUIERDO	55699380
070	SIDE PANEL RIGHT PANNEAU LATERAL DROIT SEITENTEIL RECHTS PANNELLO LATERALE DESTRO PANEL LATERAL DERECHO	55699420
080	UPPER CASE COFFRET SUPERIEUR GEHAEUSE OBEN CASSA SUPERIORE CAJA SUPERIOR	55699440
100	BUTTON STRIP CLOCK/TIME/SLEEP BARRETTE TOUCHES CLOCK/TIME/SLEEP TASTENLEISTE CLOCK/TIME/SLEEP PIATTINA TASTI CLOCK/TIME/SLEEP PLACA DE TECLAS CLOCK/TIME/SLEEP	55689240
110	BUTTON STRIP DEMO/STOP/PLAY/ REW/FF BARRETTE TOUCHES DEMO/STOP/ PLAY/REW/FF TASTENLEISTE DEMO/STOP/PLAY/ REW/FF PIATTINA TASTI DEMO/STOP/PLAY/ REW/FF PLACA DE TECLAS DEMO/STOP/ PLAY/REW/FF	55689270
120	BUTTON STRIP DISC 1/2/3/4/5 BARRETTE TOUCHE DISC 1/2/3/4/5 TASTENLEISTE DISC 1/2/3/4/5 PIATTINA TASTI DISC 1/2/3/4/5 PLACA DE TECLAS DISC 1/2/3/4/5	55689280
130	BUTTON STRIP PROG/ST/REC/EJECT BARRETTE TOUCHE PROG/ST/REC/EJECT TASTENLEISTE DISC PROG/ST/REC/EJECT PIATTINA TASTI PROG/ST/REC/EJECT PLACA DE TECLAS PROG/ST/REC/EJECT	55689320
140	BUTTON STRIP POWER/SOURCE/EQ/ X-BASS BARRETTE TOUCHES POWER/SOURCE/ EQ/X-BASS TASTENLEISTE POWER/SOURCE/EQ/ X-BASS PIATTINA TASTI POWER/SOURCE/ EQ/X-BASS PLACA DE TECLAS POWER/SOURCE/ EQ/X-BASS	55689330
150	BUTTON STRIP PTY/RDS/CT/BAND BARRETTE TOUCHES PTY/RDS/CT/BAND TASTENLEISTE PTY/RDS/CT/BAND PIATTINA TASTI PTY/RDS/CT/BAND PLACA DE TECLAS PTY/RDS/CT/BAND	55689360
160	CASSETTE FLAP DOOR VOLET CASSETTE CASSETTENKLAPPE SPORTELLLO CASSETTA TAPA CASSETTE	55689540

170	CD DOOR VOLET CD CD KLAPPE SPORTELLLO CD TAPA CD	55700410
180	CD DOOR TRIM DECORATION VOLET CD CD KLAPPE ZIERRAHMEN FINIZIONE DI SPORTELLLO CD EMBELLECEDOR TAPA CD	55689650
190	FRONT PANEL TRIM DECORATION FACADE FRONTPLATTE ZIERRAHMEN FINIZIONE DI PANNELLO EMBELLECEDOR PANEL FRONTAL	55689660
200	VOLUME KNOB BOUTON VOLUME LAUTSTAERKEKNOPF ROTELLA DI PLASTICA VOLUME RUEDA PLASTICA MANDO VOLUMEN	55689680
210	BUTTON VOLUME RING BAGUE TOUCHE VOLUME TASTE VOLUME RING ANELLO TASTO VOLUME ANILLO TECLA VOLUME	55689720
220	JACK FLAP VOLET PRISES KLAPPE FRONTBUCHSEN SPORTELLLO PRESA PUERTA FRONTAL CONECTOR	55689220
230	REAR PANEL COFFRET ARRIERE RUECKWAND PANNELLO POSTERIORE TAPA POSTERIOR	55726830
250	CASSETTE FLAP WINDOW GLACE VOLET CASSETTE FENSTER CASSETTENKLAPPE VETRO SPORTELLLO CASSETTA CRISTAL TAPA CASSETTE	55726810
260	TRAY CD WINDOW GLACE VOLET CD FENSTER CD KLAPPE VETRO DEL SPORTELLLO CD CRISTAL DEL TAPA CD	55689510
270	DISPLAY WINDOW GLACE AFFICHEUR ANZEIGEFENSTER VETRO DEL VISUALIZZATORE CRISTAL DEL VISUALIZADOR	55689520
290	CD DOOR HINGE CHARNIERE VOLET CD CD KLAPPE SCHARNIERSET CERNIERE SPORTELLLO CD BISAGRAS TAPA CD	55713120
350	COVER FAN COUVERCLE VENTILATEUR VENTILATOR DECKEL COPERCHIO VENTOLA TAPA VENTILADOR	55689760
380	SPRING TORSION HOLDER CASSETTE RESSORT A EPINGLE VOLET CASSETTE NADELFEDER CASSETTENKLAPPE MOLLA DI TORSIONE PORTACASSETTA RESORTE HORQUILLA PORTACASSETTE	5568985A
390	SPRING TORSION LEFT CD DOOR RESSORT A EPINGLE GAUCHE VOLET CD NADELFEDER LINKS CD KLAPPE MOLLA DI TORSIONE IZQUIERDA SPORTELLLO CD RESSORTE HORQUILLA SINISTRA TAPA CD	55689860

400	SPRING TORSION RIGHT CD DOOR RESSORT A EPINGLE DROIT VOLET CD NADELFEDER RECHTS CD KLAPPE MOLLA DI TORSIONE DESTRA SPORTELLLO CD RESSORTE HORQUILLA DERECHA TAPA CD	55689870
435	SPRING RESSORT SPRUNGFEDER MOLLA MUELLE	55047390
810	LOCK CD DOOR VERROU VOLET CD RIEGEL CD KLAPPE CHIUSURA SPORTELLLO CD CERROJO TAPA CD	55015550
840	CASSETTE DOOR DAMPER GEAR ROUE DENTEE PORTE CASSETTE ZAHNRAD CASSETTENHALTER RUOTA DENTATA PORTACASSETTA RUEDA DENTADA PORTACASSETTE	20688960



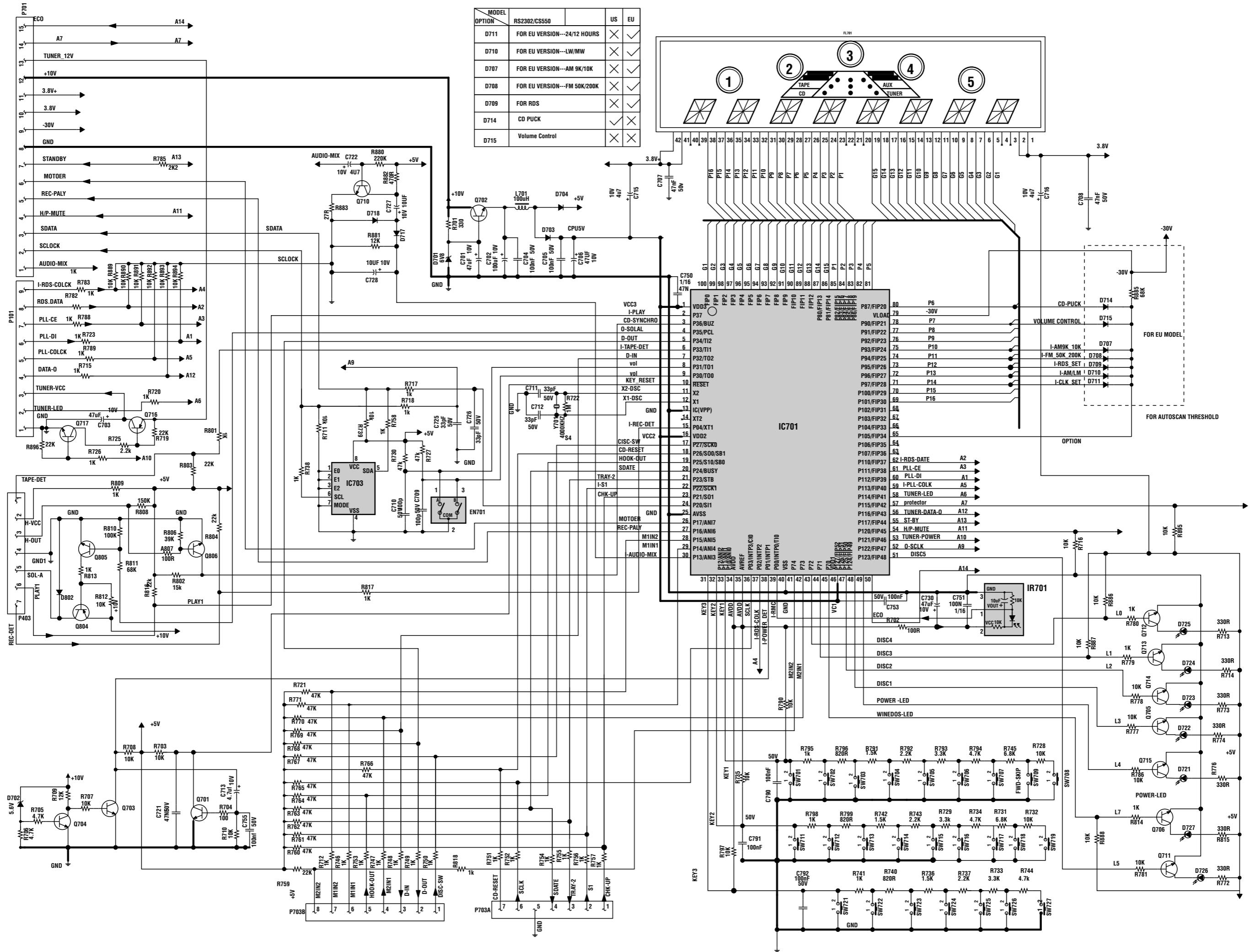
**CHASSIS AND PRESENTATION / CHASSIS ET PRESENTATION / CHASSIS UND GEHAEUSETEILE /  
TELAIO E DI PRESENTAZIONE / CHASIS Y PRESENTACION**

CS550

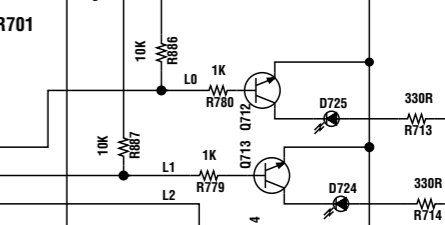
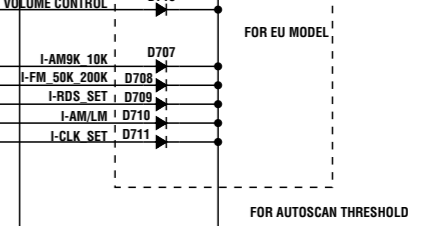
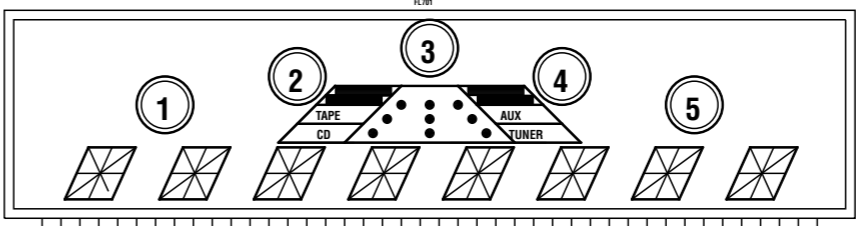
4/4

The description and characteristics given here are of informative significance only, and non committal. To keep up the high quality of our products, we reserve the right to make any changes or improvement without previous notice. • Les descriptions et caractéristiques figurant sur ce document sont données à titre d'information et non d'engagement. En effet, soucieux de la qualité de nos produits, nous nous réservons le droit d'effectuer, sans préavis, toute modification ou amélioration. • Die Beschreibungen und Daten in dieser Anleitung dienen nur zur Information und sind nicht bindend. Um die Qualität unserer Produkte ständig zu verbessern, behalten wir uns das Recht auf Änderungen vor. • Le descrizioni e le caratteristiche date su questo documento sono fornite a semplice titolo informativo e senza impegno. Ci riserviamo il diritto di eseguire, senza preavviso, qualsiasi modifica o miglioramento. • Las descripciones y características que figuran en este documento se dan a título de información y no de compromiso. En efecto, en bien de la calidad de nuestros productos, nos reservamos el derecho de efectuar, sin previo aviso, cualquier modificación o mejora.

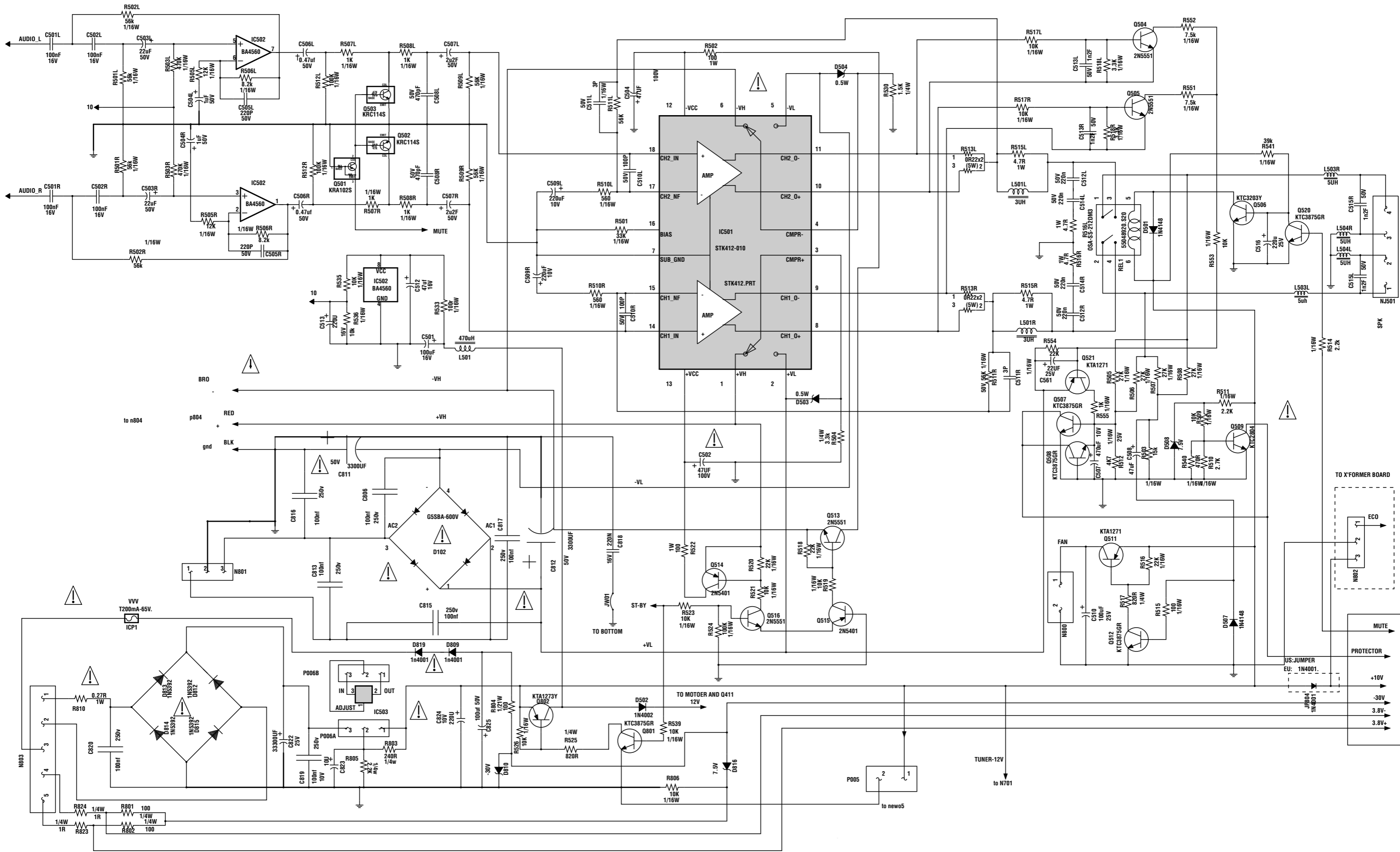
CONTROL / DISPLAY SCHEMATIC DIAGRAM - SCHEMA COMMANDES / AFFICHEUR - SCHALTBILD BEDIENTEIL / ANZEIGE - SCHEMA COMANDI / INDICATORE - ESQUEMA MANDOS / INDICADOR



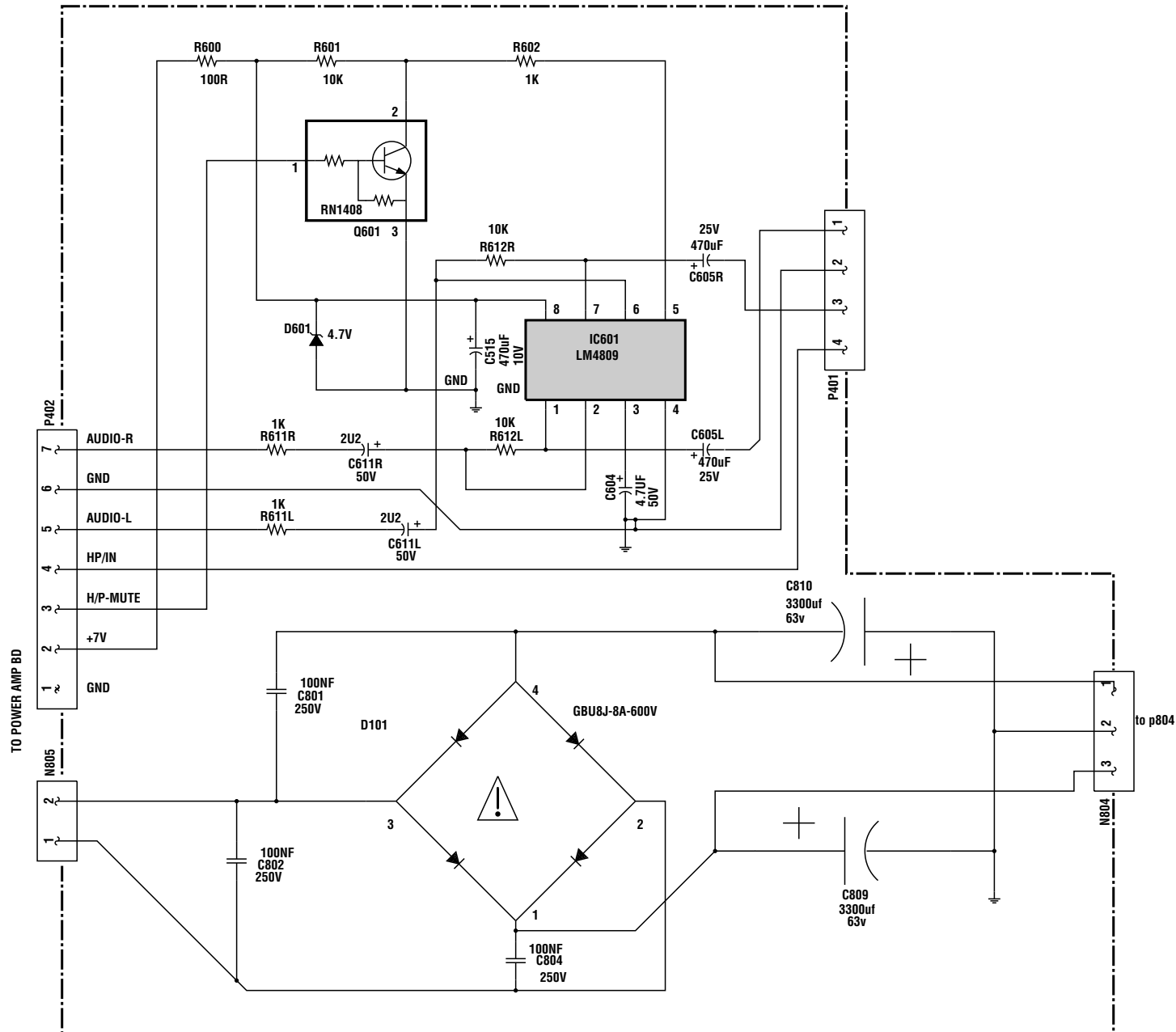
MODEL	OPTION	RS2302/CS550	US	EU
D711	FOR EU VERSION--24/12 HOURS		X	✓
D710	FOR EU VERSION--LW/MW		X	✓
D707	FOR EU VERSION--AM 9K/10K		X	✓
D708	FOR EU VERSION--FM 50K/200K		X	✓
D709	FOR RDS		X	✓
D714	CD PUCK		✓	X
D715	Volume Control		X	X




AMPLIFIER / POWER SUPPLY SCHEMATIC DIAGRAM - SCHEMA AMPLIFICATEUR / ALIMENTATION - SCHALTBILD ENDVERSTÄRKER / NETZTEIL - SCHEMA AMPLIFICATORE / ALIMENTAZIONE - ESQUEMA AMPLIFICADOR / ALIMENTACIÓN

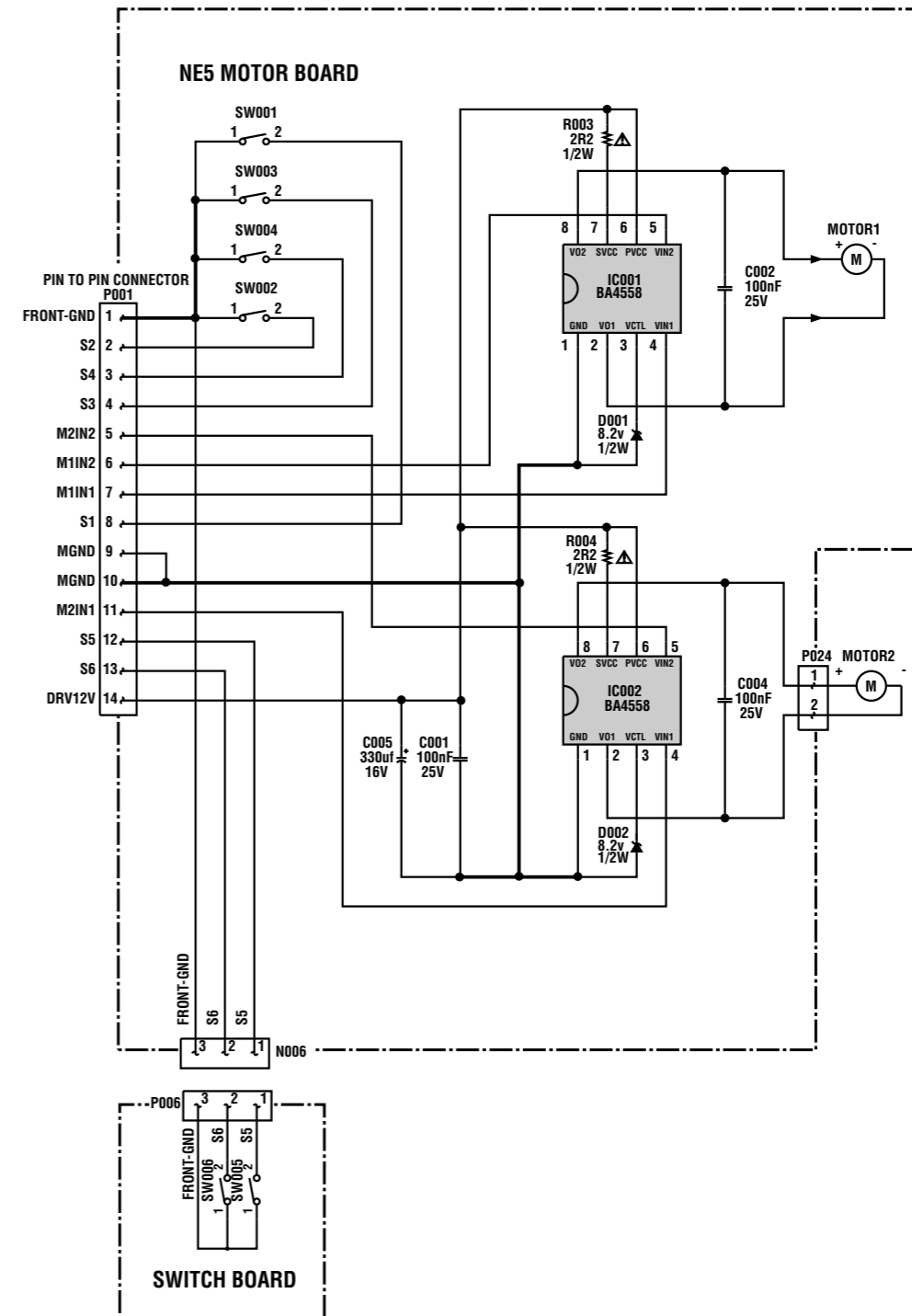
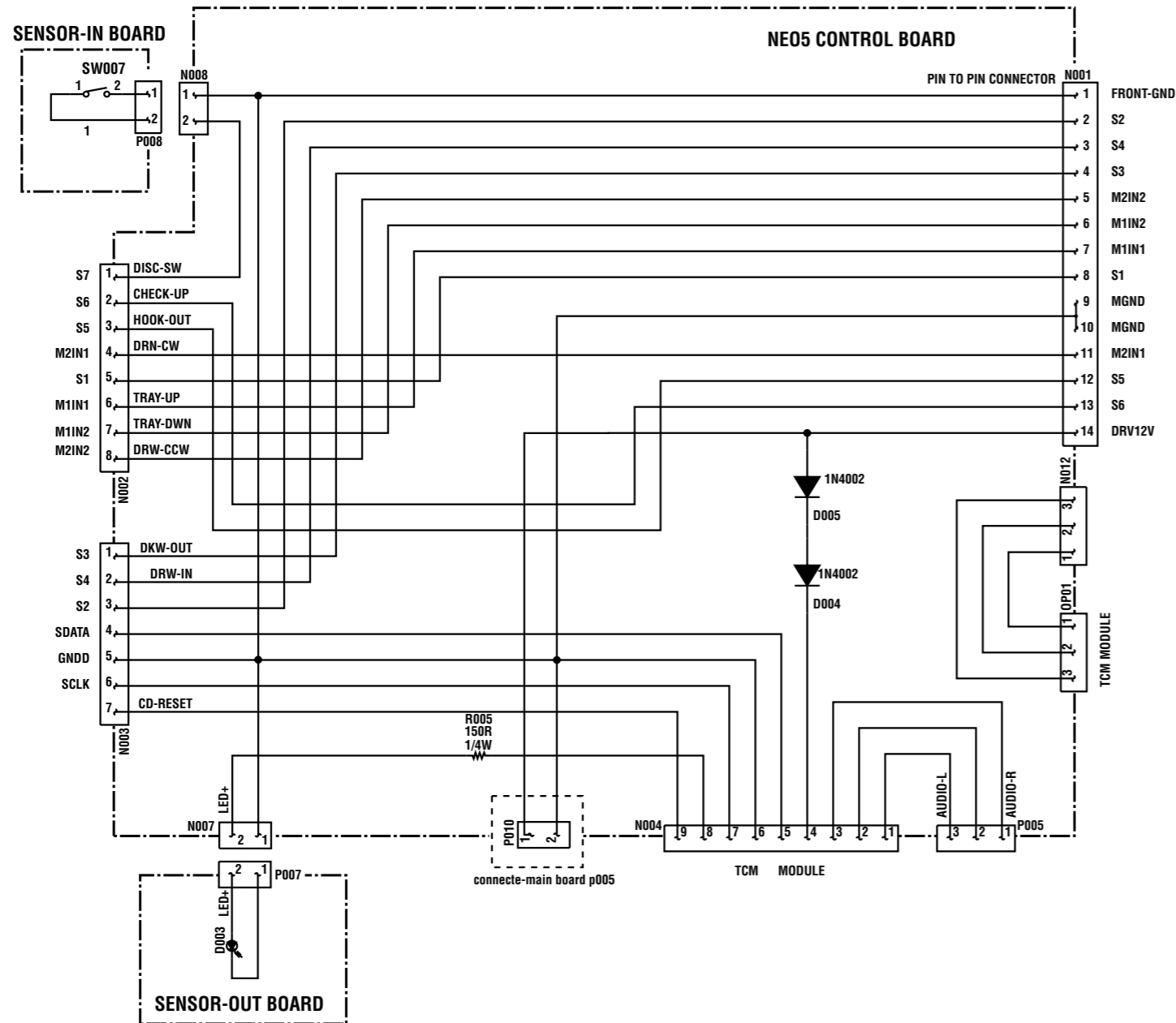


AMPLIFIER SCHEMATIC DIAGRAM - SCHEMA AMPLIFIER - SCHALTBILD ENDVERSTÄRKER - SCHEMA AMPLIFICATORE - ESQUEMA ANPLIFICADOR



CD MECANISM CONTROL SCHEMATIC DIAGRAM - SCHEMA CONTRÔLE MECANIQUE CD - SCHALTBILD CD LAUFWERKSTEUERUNG - SCHEMA CONTROLLO MECCANICA CD - ESQUEMA CONTROL DEL MECANISMO CD

- NOTES:
1. Unless otherwise specified:  
 A. All resistor values are in ohms, 1/8W  
 B. All Capacitor values are in F  
 2. Replace transistors with type specified from replacement parts list
  3. \* and  indicates critical safety components. Replace only with those specified from replacement parts list to maintain proper performances and safety of this unit.

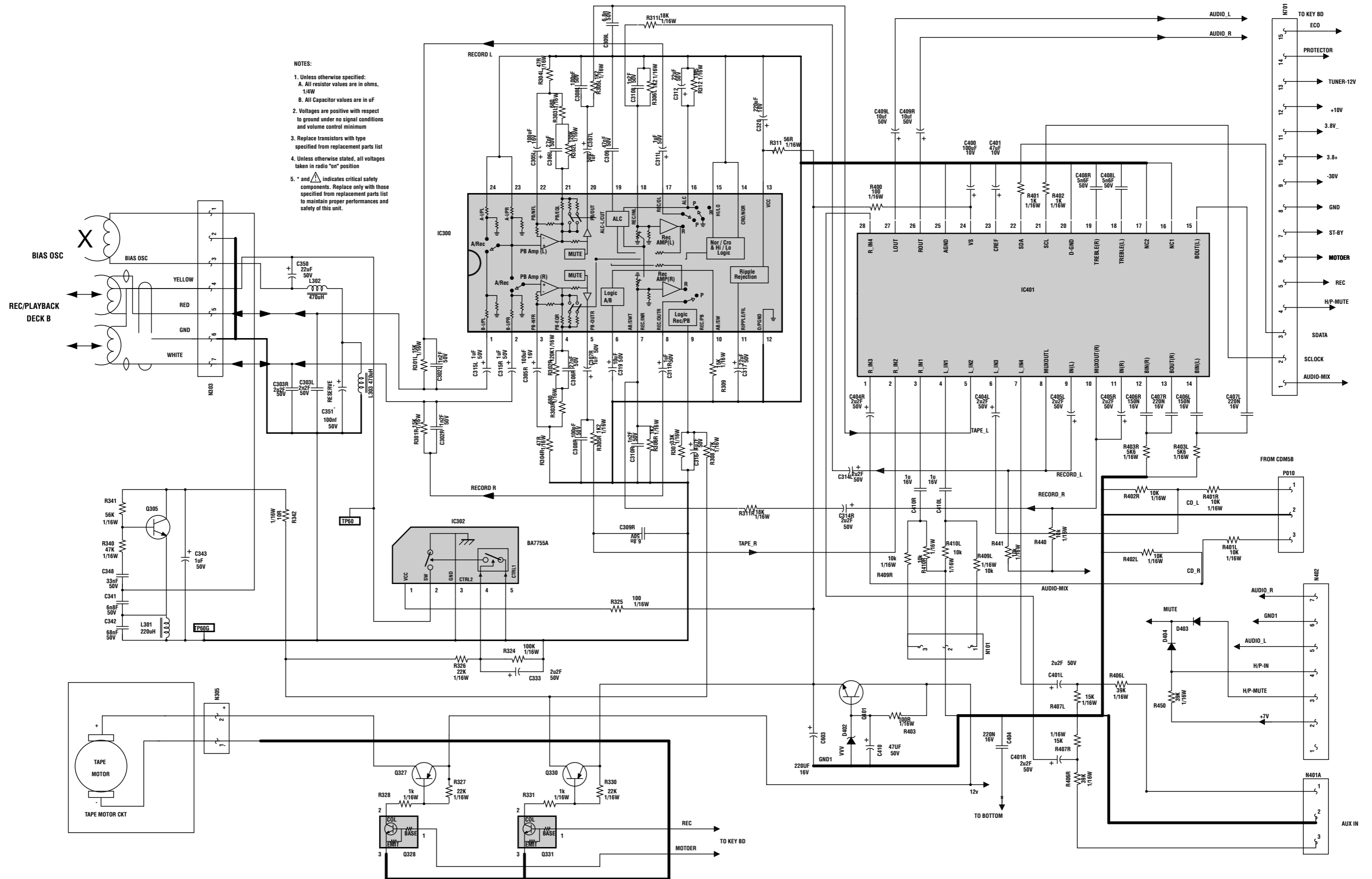




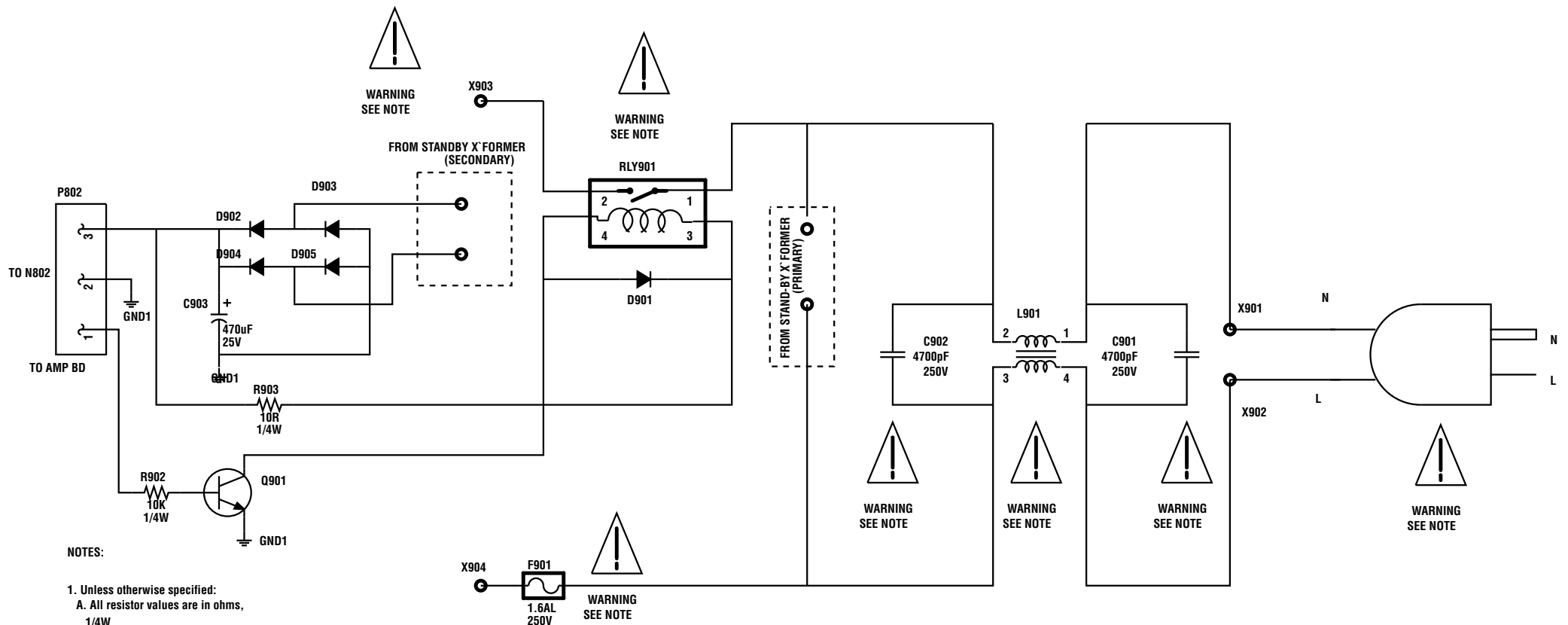
RECORD / PLAYBACK SCHEMATIC DIAGRAM - SCHEMA ENREGISTREMENT / LECTURE - SCHALTBILD AUFNAHME / WIEDERGABE - SCHEMA REGISTRAZIONE / RIPRODUZIONE - ESQUEMA GRABACIÓN / REPRODUCCIÓN


NOTES:

1. Unless otherwise specified:  
A. All resistor values are in ohms, 1/4W  
B. All Capacitor values are in uF
2. Voltages are positive with respect to ground under no signal conditions and volume control minimum
3. Replace transistors with type specified from replacement parts list
4. Unless otherwise stated, all voltages taken in radio "on" position
5. \* and  $\Delta$  indicates critical safety components. Replace only with those specified from replacement parts list to maintain proper performance and safety of this unit.

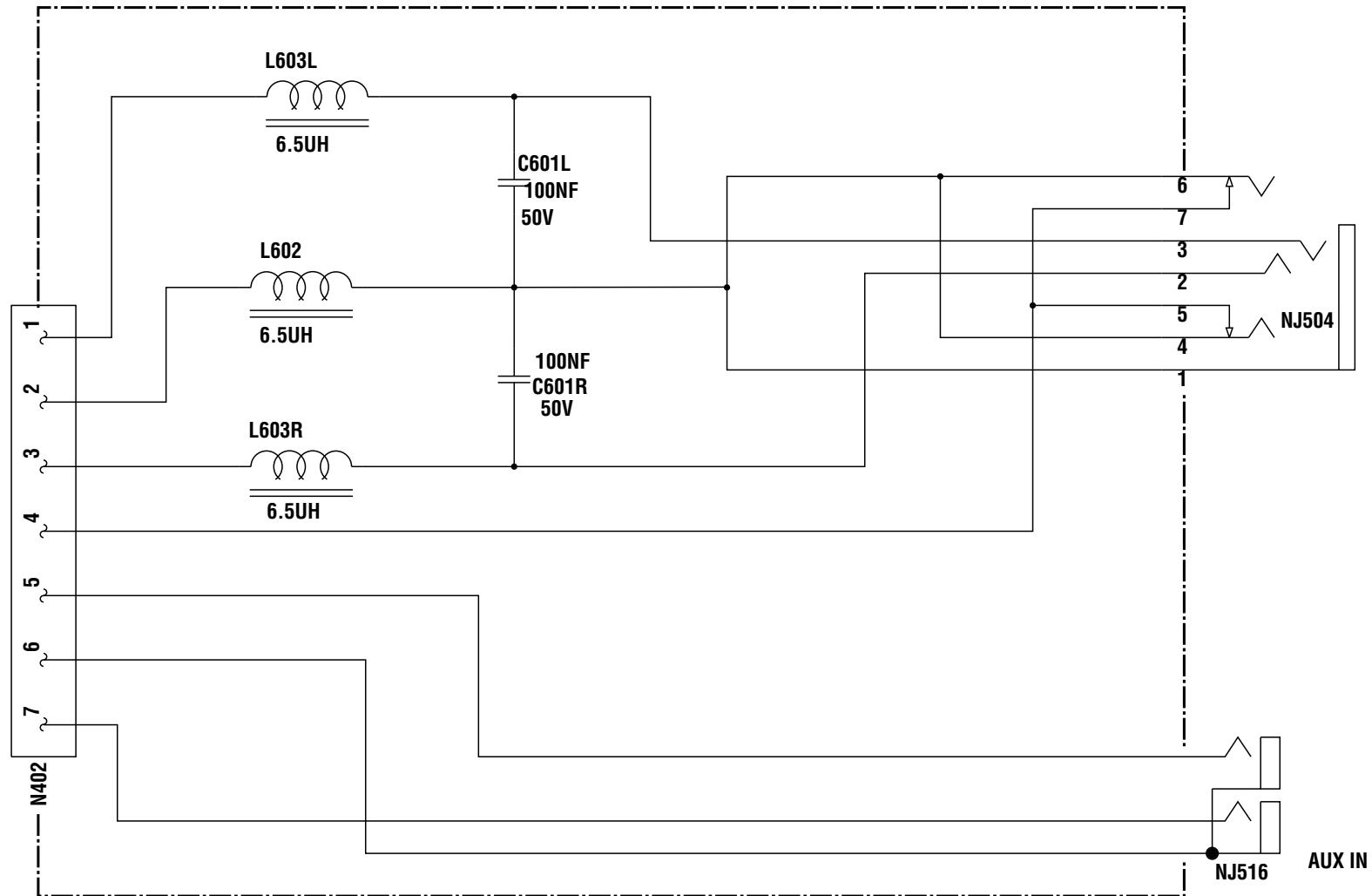


**POWER UNIT SCHEMATIC DIAGRAM - SCHEMA SECTEUR - SCHALTBILD NETZANSCHLUSS - SCHEMA DI RETE - ESQUEMA DE RED**

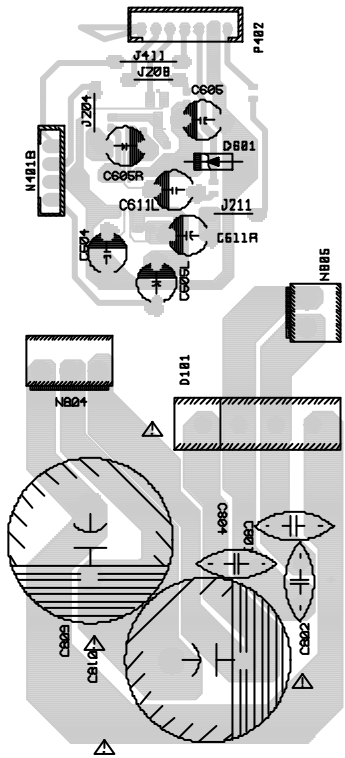
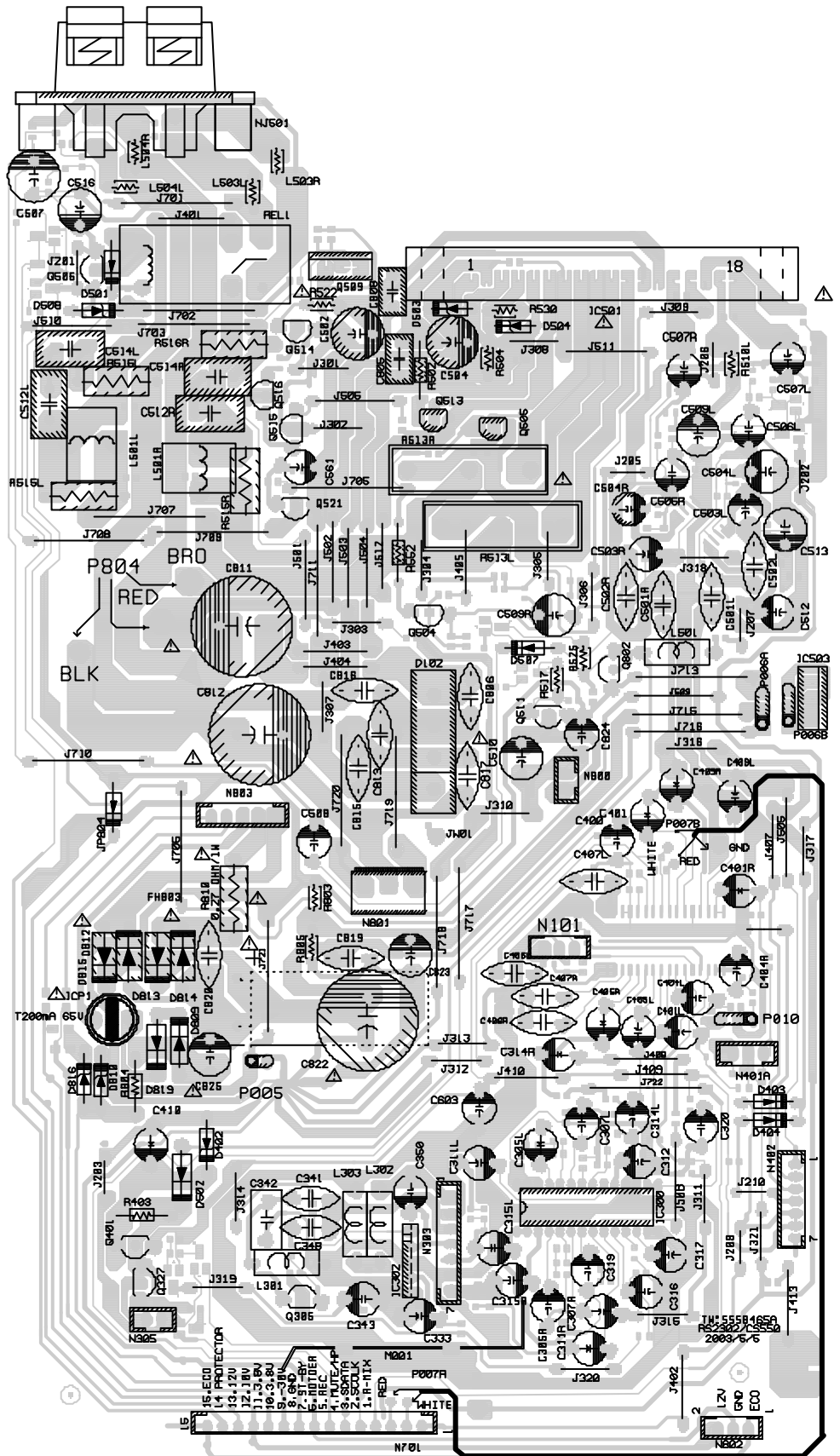


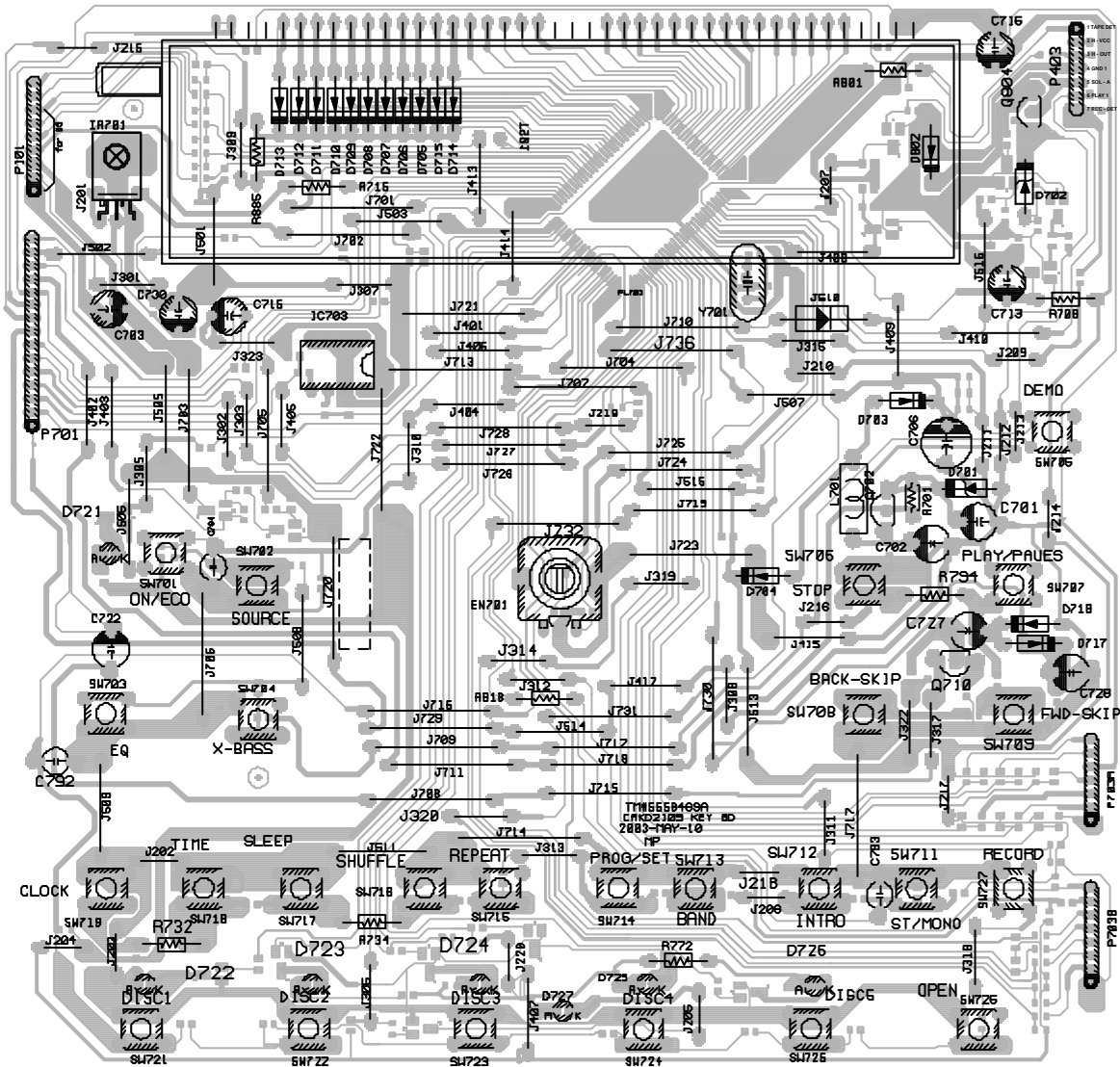
- NOTES:**
1. Unless otherwise specified:
    - A. All resistor values are in ohms, 1/4W
    - B. All Capacitor values are in uF
  2. Voltages are positive with respect to ground under no signal conditions and volume control minimum
  3. Replace transistors with type specified from replacement parts list
  4. Unless otherwise stated, all voltages taken in radio "on" position
  5. \* and  indicates critical safety components. Replace only with those specified from replacement parts list to maintain proper performances and safety of this unit.

INPUT / OUTPUT SCHEMATIC DIAGRAM - SCHEMA ENTREE / SORTIE - SCHALTBILD EINGANG / AUSGANG - SCHEMA INGRESSO / USCITA - ESQUEMA ENTRADA / SALIDA

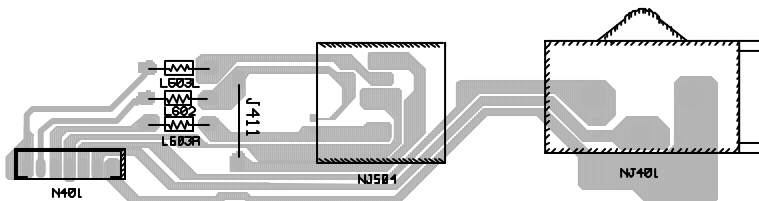


**Main PCB**  
**Platine principale**  
**Grundplatte**  
**Piastra principale**  
**Platina principal**

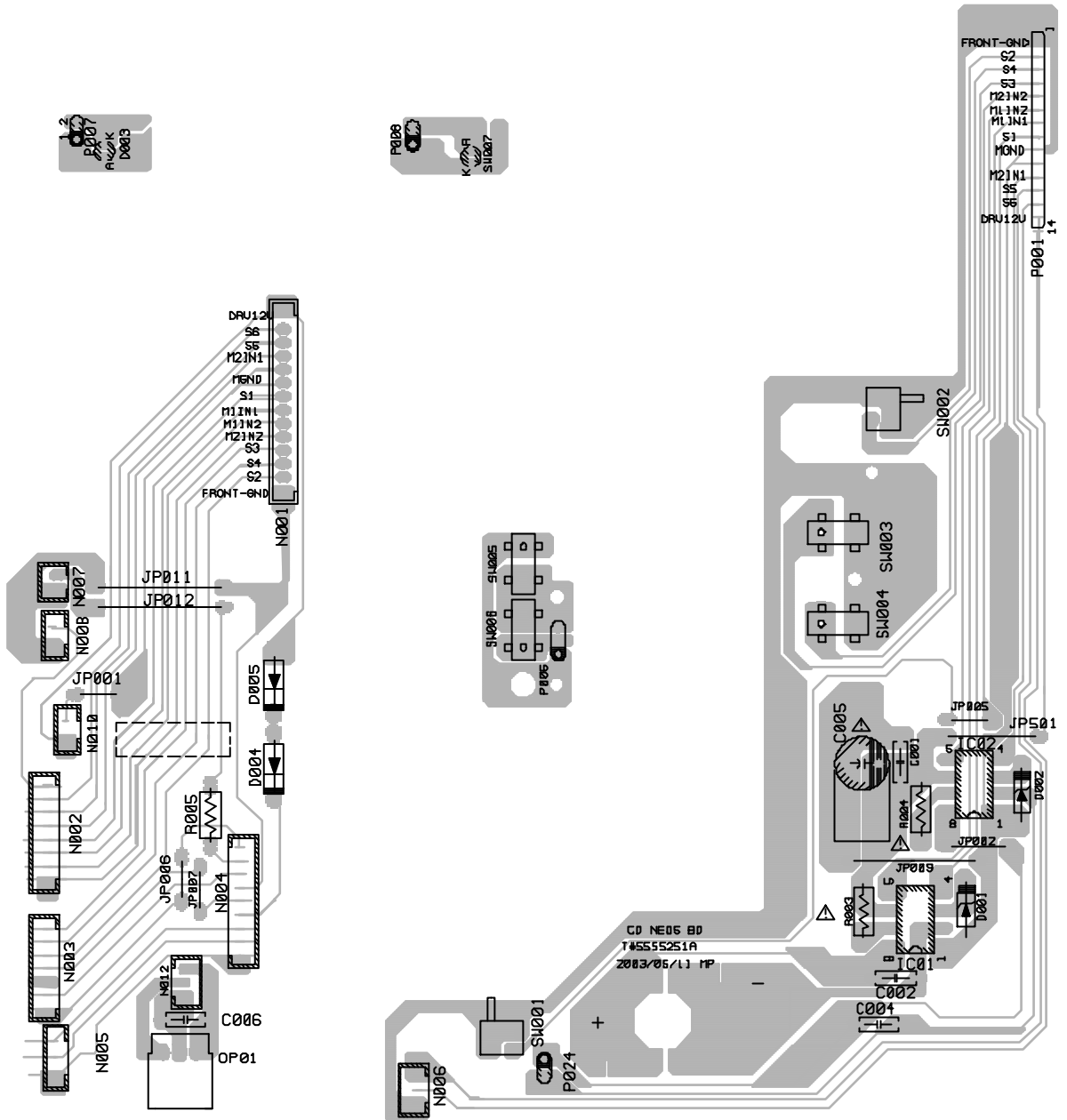


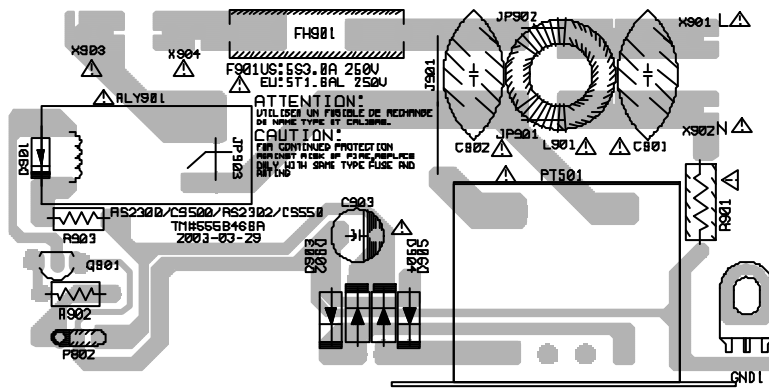


**Control/display PCB**  
**Platine commandes/afficheur**  
**Ltpl. Bedienteil/Anzeige**  
**Piastra comandi/indicatore**  
**Platina mandos/indicador**



**CD mechanism control PCB**  
**Platine contrôle mécanique CD**  
**Ltpl. Laufwerksteuerung**  
**Piastra controllo meccanica CD**  
**Platina control del mecanismo CD**





**Power unit PCB**  
**Platine secteur**  
**Ltpl. Netzanschluss**  
**Piastra di rete**  
**Platina de red**