

Symbol	Stock	Description	Circuit	Model	TypeCode	Drawing	Notes
1	264537	POWER BUTTON	CABINET ASY	RTD155		BPK218019-0001	
10	264089	BUTTONS FUNCTION 6	FRONT PANEL ASY	RTD155		BPK2080080001	
14	264542	BOTTOM PANEL	CABINET ASY	RTD155		GSE200065-0001	
19	264544	BACK PANEL	CABINET ASY	RTD155		GSE200066-0001	
2	264538	OPEN BUTTON	CABINET ASY	RTD155		BPK208019-0001	
20	264543	TOP COVER	CABINET ASY	RTD155		GSE200038-0101	
21	264549	LINE CORD 2P 1830MM BLK	CABINET ASY	RTD155	S	VPA004252-Z010	
22	264550	BUSHING AC LINE	CABINET ASY	RTD155		DBU001005-0010	
24	264087	FAN	CABINET ASY	RTD155		FAN2212020001	
26	264548	DVD MECHANISM LOADER	CABINET ASY	RTD155		WVD100008-0001	
27	264459	VIDEO/AUDIO IN	FRONT PANEL ASY	RTD155		APE200774-0001	
3	264534	FRONT PANEL	CABINET ASY	RTD155		BPF200009-0101	
4	264535	DVD DOOR	CABINET ASY	RTD155		BPD200005-0001	
5	264540	DOOR LENS	CABINET ASY	RTD155		BPN200013-0002	
6	264541	LOGO DVD	CABINET ASY	RTD155		BPL200005-0001	
7	264536	DISPLAY LENS	CABINET ASY	RTD155		BPN200014-0003	
8	264539	VOLUME KNOB	CABINET ASY	RTD155		BPK228019-0001	
BR901	264514	DIODE BRIDGE KBU808 8A 800V	POWER BOARD ASY	RTD155	S	RHD208080-0010	
C001	264320	CHIP CAP 33 PF 50V 5% NPO	MAIN BOARD ASY	RTD155		PXL410370-3300	
C003	N/S/P	CHIP CAP 5PF 50V 5%	MAIN BOARD ASY	RTD155		PXL410370-509	
C004	N/S/P	CHIP CAP 0.022 UF 50V 10%	MAIN BOARD ASY	RTD155		PXL456470-223	
C005	N/S/P	CHIP CAP 5PF 50V 5%	MAIN BOARD ASY	RTD155		PXL410370-509	
C006	264326	CHIP CAP 0.1 UF 50V 20% Y5V	MAIN BOARD ASY	RTD155		PXL439570-1040	
C007	264326	CHIP CAP 0.1 UF 50V 20% Y5V	MAIN BOARD ASY	RTD155		PXL439570-1040	
C008	N/S/P	CHIP CAP 0.022 UF 50V 10%	MAIN BOARD ASY	RTD155		PXL456470-223	
C009	264379	CHIP CAP 0.022 UF 50V 10%	MAIN BOARD ASY	RTD155		PXL4564702230	
C010	264379	CHIP CAP 0.022 UF 50V 10%	MAIN BOARD ASY	RTD155		PXL4564702230	
C011	N/S/P	CHIP CAP 0.022 UF 50V 10%	MAIN BOARD ASY	RTD155		PXL456470-223	
C012	264418	CAP ELECT 47UF 16V 20% 85C	MAIN BOARD ASY	RTD155		PRE039540-4700	
C013	264375	CHIP CAP 5PF 50V 5%	MAIN BOARD ASY	RTD155		PXL4103705090	
C014	264334	CHIP CAP 560 PF 50V 5% NPO	MAIN BOARD ASY	RTD155		PXL410370-5610	
C016	264326	CHIP CAP 0.1 UF 50V 20% Y5V	MAIN BOARD ASY	RTD155		PXL439570-1040	
C017	N/S/P	CHIP CAP 0.022 UF 50V 10%	MAIN BOARD ASY	RTD155		PXL456470-223	
C018	264423	CAP ELECT 33UF 16V 20% 85C	MAIN BOARD ASY	RTD155		PRE039540-3300	
C019	264379	CHIP CAP 0.022 UF 50V 10%	MAIN BOARD ASY	RTD155		PXL4564702230	
C020	264423	CAP ELECT 33UF 16V 20% 85C	MAIN BOARD ASY	RTD155		PRE039540-3300	
C021	264417	CAP ELECT 22UF 16V 20% 85C	MAIN BOARD ASY	RTD155		PRE039540-2200	
C022	264326	CHIP CAP 0.1 UF 50V 20% Y5V	MAIN BOARD ASY	RTD155		PXL439570-1040	
C023	264416	CAP ELECT 10 UF 50V 20% 85C	MAIN BOARD ASY	RTD155		PRE039570-1000	
C024	264329	CHIP CAP 220 PF 50V 5% NPO	MAIN BOARD ASY	RTD155		PXL410370-2210	
C025	N/S/P	CHIP CAP 30 PF 50V 5%	MAIN BOARD ASY	RTD155		PXL410370-300	
C026	264333	CHIP CAP 0.047 UF 50V 5 X7R	MAIN BOARD ASY	RTD155		PXL456370-4730	
C027	264418	CAP ELECT 47UF 16V 20% 85C	MAIN BOARD ASY	RTD155		PRE039540-4700	
C028	264382	CHIP CAP 0.027UF 50V 10%	MAIN BOARD ASY	RTD155		PXL456470-2730	
C029	264333	CHIP CAP 0.047 UF 50V 5 X7R	MAIN BOARD ASY	RTD155		PXL456370-4730	
C030	264379	CHIP CAP 0.022 UF 50V 10%	MAIN BOARD ASY	RTD155		PXL4564702230	
C031	264418	CAP ELECT 47UF 16V 20% 85C	MAIN BOARD ASY	RTD155		PRE039540-4700	
C032	264315	CHIP CAP 1UF 50V 20%	MAIN BOARD ASY	RTD155		PXL456570-1050	
C033	N/S/P	CHIP CAP 0.022 UF 50V 10%	MAIN BOARD ASY	RTD155		PXL456470-223	
C034	264318	CHIP CAP 22 PF 50V 5%	MAIN BOARD ASY	RTD155		PXL410370-2200	
C036	N/S/P	CHIP CAP 0.022 UF 50V 10%	MAIN BOARD ASY	RTD155		PXL456470-223	
C037	264315	CHIP CAP 1UF 50V 20%	MAIN BOARD ASY	RTD155		PXL456570-1050	
C038	264374	CHIP CAP 0.47 UF 16V +80%-20%	MAIN BOARD ASY	RTD155		PXL439640-4740	
C039	264416	CAP ELECT 10 UF 50V 20% 85C	MAIN BOARD ASY	RTD155		PRE039570-1000	
C040	264416	CAP ELECT 10 UF 50V 20% 85C	MAIN BOARD ASY	RTD155		PRE039570-1000	
C041	264315	CHIP CAP 1UF 50V 20%	MAIN BOARD ASY	RTD155		PXL456570-1050	
C042	264378	CHIP CAP 0.0022UF 50V 5%	MAIN BOARD ASY	RTD155		PXL456370-2220	
C043	264378	CHIP CAP 0.0022UF 50V 5%	MAIN BOARD ASY	RTD155		PXL456370-2220	
C044	264332	CHIP CAP 4700PF 50V 5% NPO	MAIN BOARD ASY	RTD155		PXL456370-4720	
C045	264332	CHIP CAP 4700PF 50V 5% NPO	MAIN BOARD ASY	RTD155		PXL456370-4720	
C046	246379	CHIP CAP 0.022 UF 50V 10%	MAIN BOARD ASY	RTD155		PXL4564702230	
C047	264379	CHIP CAP 0.022 UF 50V 10%	MAIN BOARD ASY	RTD155		PXL4564702230	
C048	264328	CHIP CAP 1500PF 50V 5% X7R	MAIN BOARD ASY	RTD155		PXL456370-1520	
C049	264328	CHIP CAP 1500PF 50V 5% X7R	MAIN BOARD ASY	RTD155		PXL456370-1520	
C050	264381	CHIP CAP 0.015 UF 50V 10%	MAIN BOARD ASY	RTD155		PXL456470-1530	
C051	264415	CAP ELECT 4.7UF 50V 20% 85C	MAIN BOARD ASY	RTD155		PRE039570-4790	
C052	264381	CHIP CAP 0.015 UF 50V 10%	MAIN BOARD ASY	RTD155		PXL456470-1530	
C053	264415	CAP ELECT 4.7UF 50V 20% 85C	MAIN BOARD ASY	RTD155		PRE039570-4790	
C054	264332	CHIP CAP 4700PF 50V 5% NPO	MAIN BOARD ASY	RTD155		PXL456370-4720	
C055	264332	CHIP CAP 4700PF 50V 5% NPO	MAIN BOARD ASY	RTD155		PXL456370-4720	
C056	264418	CAP ELECT 47UF 16V 20% 85C	MAIN BOARD ASY	RTD155		PRE039540-4700	
C057	264376	CHIP CAP 15 PF 50V 5%	MAIN BOARD ASY	RTD155		PXL410370-1500	
C058	264378	CHIP CAP 15 PF 50V 5%	MAIN BOARD ASY	RTD155		PXL410370-1500	
C059	264323	CHIP CAP 100 PF 50V 5% NPO	MAIN BOARD ASY	RTD155		PXL410370-1010	
C060	264379	CHIP CAP 0.022 UF 50V 10%	MAIN BOARD ASY	RTD155		PXL4564702230	
C061	264418	CAP ELECT 47UF 16V 20% 85C	MAIN BOARD ASY	RTD155		PRE039540-4700	
C062	264422	CAP ELECT 3.3 UF 50V 20% 85C	MAIN BOARD ASY	RTD155		PRE039570-3390	
C063	264379	CHIP CAP 0.022 UF 50V 10%	MAIN BOARD ASY	RTD155		PXL4564702230	
C064	264418	CAP ELECT 47UF 16V 20% 85C	MAIN BOARD ASY	RTD155		PRE039540-4700	
C065	264326	CHIP CAP 0.1 UF 50V 20% Y5V	MAIN BOARD ASY	RTD155		PXL439570-1040	

Symbol	Stock	Description	Circuit	Model	TypeCode	Drawing	Notes
C159	264326	CHIP CAP 0.1 UF 50V 20% Y5V	MAIN BOARD ASY	RTD155		PXL439570-1040	
C160	264326	CHIP CAP 0.1 UF 50V 20% Y5V	MAIN BOARD ASY	RTD155		PXL439570-1040	
C161	264326	CHIP CAP 0.1 UF 50V 20% Y5V	MAIN BOARD ASY	RTD155		PXL439570-1040	
C162	264320	CHIP CAP 33 PF 50V 5% NPO	MAIN BOARD ASY	RTD155		PXL410370-3300	
C163	264320	CHIP CAP 33 PF 50V 5% NPO	MAIN BOARD ASY	RTD155		PXL410370-3300	
C164	264320	CHIP CAP 33 PF 50V 5% NPO	MAIN BOARD ASY	RTD155		PXL410370-3300	
C174	264323	CHIP CAP 100 PF 50V 5% NPO	MAIN BOARD ASY	RTD155		PXL410370-1010	
C175	264323	CHIP CAP 100 PF 50V 5% NPO	MAIN BOARD ASY	RTD155		PXL410370-1010	
C176	264323	CHIP CAP 100 PF 50V 5% NPO	MAIN BOARD ASY	RTD155		PXL410370-1010	
C177	264323	CHIP CAP 100 PF 50V 5% NPO	MAIN BOARD ASY	RTD155		PXL410370-1010	
C178	264323	CHIP CAP 100 PF 50V 5% NPO	MAIN BOARD ASY	RTD155		PXL410370-1010	
C179	264323	CHIP CAP 100 PF 50V 5% NPO	MAIN BOARD ASY	RTD155		PXL410370-1010	
C180	264323	CHIP CAP 100 PF 50V 5% NPO	MAIN BOARD ASY	RTD155		PXL410370-1010	
C181	264323	CHIP CAP 100 PF 50V 5% NPO	MAIN BOARD ASY	RTD155		PXL410370-1010	
C186	264376	CHIP CAP 15 PF 50V 5%	MAIN BOARD ASY	RTD155		PXL410370-1500	
C187	264376	CHIP CAP 15 PF 50V 5%	MAIN BOARD ASY	RTD155		PXL410370-1500	
C188	264376	CHIP CAP 15 PF 50V 5%	MAIN BOARD ASY	RTD155		PXL410370-1500	
C194	264321	CHIP CAP 47 PF 50V 5% NPO	MAIN BOARD ASY	RTD155		PXL410370-4700	
C195	264321	CHIP CAP 47 PF 50V 5% NPO	MAIN BOARD ASY	RTD155		PXL410370-4700	
C196	264321	CHIP CAP 47 PF 50V 5% NPO	MAIN BOARD ASY	RTD155		PXL410370-4700	
C197	264419	CAP ELECT 100UF 16V 20% 85C	MAIN BOARD ASY	RTD155		PRE039540-1010	
C198	264419	CAP ELECT 100UF 16V 20% 85C	MAIN BOARD ASY	RTD155		PRE039540-1010	
C199	264326	CHIP CAP 0.1 UF 50V 20% Y5V	MAIN BOARD ASY	RTD155		PXL439570-1040	
C201	264438	CAP ELECT 10 UF 16V 20%	FRONT PANEL ASY	RTD155		PVE839540-1000	
C202	264439	CAP ELECT 100 UF 10V 20%	FRONT PANEL ASY	RTD155		PVE839530-1010	
C203	264442	CHIP CAP 0.1 UF 50V 10%	FRONT PANEL ASY	RTD155		PXL456470-1040	
C204	264318	CHIP CAP 22 PF 50V 5%	FRONT PANEL ASY	RTD155		PXL410370-2200	
C205	264318	CHIP CAP 22 PF 50V 5%	FRONT PANEL ASY	RTD155		PXL410370-2200	
C206	264439	CAP ELECT 100 UF 10V 20%	FRONT PANEL ASY	RTD155		PVE839530-1010	
C207	264442	CHIP CAP 0.1 UF 50V 10%	FRONT PANEL ASY	RTD155		PXL456470-1040	
C208	264376	CHIP CAP 15 PF 50V 5%	FRONT PANEL ASY	RTD155		PXL410370-1500	
C209	264376	CHIP CAP 15 PF 50V 5%	FRONT PANEL ASY	RTD155		PXL410370-1500	
C210	264376	CHIP CAP 15 PF 50V 5%	FRONT PANEL ASY	RTD155		PXL410370-1500	
C211	264439	CAP ELECT 100 UF 10V 20%	FRONT PANEL ASY	RTD155		PVE839530-1010	
C212	264442	CHIP CAP 0.1 UF 50V 10%	FRONT PANEL ASY	RTD155		PXL456470-1040	
C213	264442	CHIP CAP 0.1 UF 50V 10%	FRONT PANEL ASY	RTD155		PXL456470-1040	
C214	264444	CHIP CAP 0.22UF 50V 5% NPO	FRONT PANEL ASY	RTD155		PXL456370-2240	
C215	264341	CHIP ZENER 5.6V 5% 0.5W	FRONT PANEL ASY	RTD155		RCZ005006-0011	
C216	264341	CHIP ZENER 5.6V 5% 0.5W	FRONT PANEL ASY	RTD155		RCZ005006-0011	
C217	264341	CHIP ZENER 5.6V 5% 0.5W	FRONT PANEL ASY	RTD155		RCZ005006-0011	
C218	264341	CHIP ZENER 5.6V 5% 0.5W	FRONT PANEL ASY	RTD155		RCZ005006-0011	
C219	264376	CHIP CAP 15 PF 50V 5%	FRONT PANEL ASY	RTD155		PXL410370-1500	
C220	264454	CAP DISC 1000 PF 50V 10%	FRONT PANEL ASY	RTD155		PRD235470-1020	
C221	264455	CAP DISC 0.1 UF 50V +80-20%	FRONT PANEL ASY	RTD155		PRD249670-1040	
C222	264455	CAP DISC 0.1 UF 50V +80-20%	FRONT PANEL ASY	RTD155		PRD249670-1040	
C223	264455	CAP DISC 0.1 UF 50V +80-20%	FRONT PANEL ASY	RTD155		PRD249670-1040	
C223	264323	CHIP CAP 100 PF 50V 5% NPO	FRONT PANEL ASY	RTD155		PXL410370-1010	
C224	264323	CHIP CAP 100 PF 50V 5% NPO	FRONT PANEL ASY	RTD155		PXL410370-1010	
C224	264416	CAP ELECT 10 UF 50V 20% 85C	MAIN BOARD ASY	RTD155		PRE039570-1000	
C225	264442	CHIP CAP 0.1 UF 50V 10%	FRONT PANEL ASY	RTD155		PXL456470-1040	
C226	264329	CHIP CAP 220 PF 50V 5% NPO	FRONT PANEL ASY	RTD155		PXL410370-2210	
C232	264320	CHIP CAP 33 PF 50V 5% NPO	FRONT PANEL ASY	RTD155		PXL410370-3300	
C233	264320	CHIP CAP 33 PF 50V 5% NPO	FRONT PANEL ASY	RTD155		PXL410370-3300	
C234	264441	CHIP CAP 0.01 UF 50V 10%	FRONT PANEL ASY	RTD155		PXL456470-1030	
C235	264323	CHIP CAP 100 PF 50V 5% NPO	FRONT PANEL ASY	RTD155		PXL410370-1010	
C236	264323	CHIP CAP 100 PF 50V 5% NPO	FRONT PANEL ASY	RTD155		PXL410370-1010	
C237	264341	CHIP ZENER 5.6V 5% 0.5W	FRONT PANEL ASY	RTD155		RCZ005006-0011	
C238	264341	CHIP ZENER 5.6V 5% 0.5W	FRONT PANEL ASY	RTD155		RCZ005006-0011	
C401	264416	CAP ELECT 10 UF 50V 20% 85C	MAIN BOARD ASY	RTD155		PRE039570-1000	
C402	264416	CAP ELECT 10 UF 50V 20% 85C	MAIN BOARD ASY	RTD155		PRE039570-1000	
C403	264416	CAP ELECT 10 UF 50V 20% 85C	MAIN BOARD ASY	RTD155		PRE039570-1000	
C404	264416	CAP ELECT 10 UF 50V 20% 85C	MAIN BOARD ASY	RTD155		PRE039570-1000	
C405	264416	CAP ELECT 10 UF 50V 20% 85C	MAIN BOARD ASY	RTD155		PRE039570-1000	
C406	264416	CAP ELECT 10 UF 50V 20% 85C	MAIN BOARD ASY	RTD155		PRE039570-1000	
C407	264325	CHIP CAP 0.01UF 50V 5% X7R	MAIN BOARD ASY	RTD155		PXL456370-1030	
C408	264325	CHIP CAP 0.01UF 50V 5% X7R	MAIN BOARD ASY	RTD155		PXL456370-1030	
C409	264327	CHIP CAP 150PF 50V 5% NPO	MAIN BOARD ASY	RTD155		PXL410370-1510	
C410	264326	CHIP CAP 0.1 UF 50V 20% Y5V	MAIN BOARD ASY	RTD155		PXL439570-1040	
C411	264325	CHIP CAP 0.01UF 50V 5% X7R	MAIN BOARD ASY	RTD155		PXL456370-1030	
C412	264325	CHIP CAP 0.01UF 50V 5% X7R	MAIN BOARD ASY	RTD155		PXL456370-1030	
C413	264327	CHIP CAP 150PF 50V 5% NPO	MAIN BOARD ASY	RTD155		PXL410370-1510	
C414	264326	CHIP CAP 0.1 UF 50V 20% Y5V	MAIN BOARD ASY	RTD155		PXL439570-1040	
C415	264325	CHIP CAP 0.01UF 50V 5% X7R	MAIN BOARD ASY	RTD155		PXL456370-1030	
C416	264325	CHIP CAP 0.01UF 50V 5% X7R	MAIN BOARD ASY	RTD155		PXL456370-1030	
C417	264327	CHIP CAP 150PF 50V 5% NPO	MAIN BOARD ASY	RTD155		PXL410370-1510	
C418	264326	CHIP CAP 0.1 UF 50V 20% Y5V	MAIN BOARD ASY	RTD155		PXL439570-1040	
C419	264325	CHIP CAP 0.01UF 50V 5% X7R	MAIN BOARD ASY	RTD155		PXL456370-1030	
C420	264325	CHIP CAP 0.01UF 50V 5% X7R	MAIN BOARD ASY	RTD155		PXL456370-1030	
C421	264327	CHIP CAP 150PF 50V 5% NPO	MAIN BOARD ASY	RTD155		PXL410370-1510	
C422	264326	CHIP CAP 0.1 UF 50V 20% Y5V	MAIN BOARD ASY	RTD155		PXL439570-1040	

Symbol	Stock	Description	Circuit	Model	TypeCode	Drawing	Notes
C831	264326	CHIP CAP 0.1 UF 50V 20% Y5V	MAIN BOARD ASY	RTD155		PXL439570-1040	
C832	264418	CAP ELECT 47UF 16V 20% 85C	MAIN BOARD ASY	RTD155		PRE039540-4700	
C833	264331	CHIP CAP 470 PF 50V 5% NPO	MAIN BOARD ASY	RTD155		PXL410370-4710	
C834	264315	CHIP CAP 1UF 50V 20%	MAIN BOARD ASY	RTD155		PXL456570-1050	
C835	264419	CAP ELECT 100UF 16V 20% 85C	MAIN BOARD ASY	RTD155		PRE039540-1010	
C836	264326	CHIP CAP 0.1 UF 50V 20% Y5V	MAIN BOARD ASY	RTD155		PXL439570-1040	
C837	264419	CAP ELECT 100UF 16V 20% 85C	MAIN BOARD ASY	RTD155		PRE039540-1010	
C838	264326	CHIP CAP 0.1 UF 50V 20% Y5V	MAIN BOARD ASY	RTD155		PXL439570-1040	
C839	264317	CHIP CAP 3 PF 50V 5%	MAIN BOARD ASY	RTD155		PXL410370-3090	
C840	264322	CHIP CAP 56 PF 50V 5% NPO	MAIN BOARD ASY	RTD155		PXL410370-5600	
C843	264322	CHIP CAP 56 PF 50V 5% NPO	MAIN BOARD ASY	RTD155		PXL410370-5600	
C844	264324	CHIP CAP 1000 PF 50V 5% NPO	MAIN BOARD ASY	RTD155		PXL410370-1020	
C845	264328	CHIP CAP 1500PF 50V 5% X7R	MAIN BOARD ASY	RTD155		PXL456370-1520	
C846	264334	CHIP CAP 560 PF 50V 5% NPO	MAIN BOARD ASY	RTD155		PXL410370-5610	
C847	264324	CHIP CAP 1000 PF 50V 5% NPO	MAIN BOARD ASY	RTD155		PXL410370-1020	
C848	264334	CHIP CAP 560 PF 50V 5% NPO	MAIN BOARD ASY	RTD155		PXL410370-5610	
C849	264331	CHIP CAP 470 PF 50V 5% NPO	MAIN BOARD ASY	RTD155		PXL410370-4710	
C850	264331	CHIP CAP 470 PF 50V 5% NPO	MAIN BOARD ASY	RTD155		PXL410370-4710	
C851	264326	CHIP CAP 0.1 UF 50V 20% Y5V	MAIN BOARD ASY	RTD155		PXL439570-1040	
C854	264326	CHIP CAP 0.1 UF 50V 20% Y5V	MAIN BOARD ASY	RTD155		PXL439570-1040	
C855	264326	CHIP CAP 0.1 UF 50V 20% Y5V	MAIN BOARD ASY	RTD155		PXL439570-1040	
C856	264326	CHIP CAP 0.1 UF 50V 20% Y5V	MAIN BOARD ASY	RTD155		PXL439570-1040	
C858	264326	CHIP CAP 0.1 UF 50V 20% Y5V	MAIN BOARD ASY	RTD155		PXL439570-1040	
C859	264326	CHIP CAP 0.1 UF 50V 20% Y5V	MAIN BOARD ASY	RTD155		PXL439570-1040	
C860	264325	CHIP CAP 0.01UF 50V 5% X7R	MAIN BOARD ASY	RTD155		PXL456370-1030	
C861	264334	CHIP CAP 560 PF 50V 5% NPO	MAIN BOARD ASY	RTD155		PXL410370-5610	
C862	264326	CHIP CAP 0.1 UF 50V 20% Y5V	MAIN BOARD ASY	RTD155		PXL439570-1040	
C863	264326	CHIP CAP 0.1 UF 50V 20% Y5V	MAIN BOARD ASY	RTD155		PXL439570-1040	
C864	264323	CHIP CAP 100 PF 50V 5% NPO	MAIN BOARD ASY	RTD155		PXL410370-1010	
C865	264319	CHIP CAP 10 PF 50V 5%	MAIN BOARD ASY	RTD155		PXL410370-1000	
C866	264319	CHIP CAP 10 PF 50V 5%	MAIN BOARD ASY	RTD155		PXL410370-1000	
C867	264418	CAP ELECT 47UF 16V 20% 85C	MAIN BOARD ASY	RTD155		PRE039540-4700	
C874	264326	CHIP CAP 0.1 UF 50V 20% Y5V	MAIN BOARD ASY	RTD155		PXL439570-1040	
C875	264326	CHIP CAP 0.1 UF 50V 20% Y5V	MAIN BOARD ASY	RTD155		PXL439570-1040	
C876	264326	CHIP CAP 0.1 UF 50V 20% Y5V	MAIN BOARD ASY	RTD155		PXL439570-1040	
C877	264326	CHIP CAP 0.1 UF 50V 20% Y5V	MAIN BOARD ASY	RTD155		PXL439570-1040	
C878	264326	CHIP CAP 0.1 UF 50V 20% Y5V	MAIN BOARD ASY	RTD155		PXL439570-1040	
C879	264326	CHIP CAP 0.1 UF 50V 20% Y5V	MAIN BOARD ASY	RTD155		PXL439570-1040	
C880	264326	CHIP CAP 0.1 UF 50V 20% Y5V	MAIN BOARD ASY	RTD155		PXL439570-1040	
C881	264326	CHIP CAP 0.1 UF 50V 20% Y5V	MAIN BOARD ASY	RTD155		PXL439570-1040	
C882	264326	CHIP CAP 0.1 UF 50V 20% Y5V	MAIN BOARD ASY	RTD155		PXL439570-1040	
C883	264326	CHIP CAP 0.1 UF 50V 20% Y5V	MAIN BOARD ASY	RTD155		PXL439570-1040	
C884	264326	CHIP CAP 0.1 UF 50V 20% Y5V	MAIN BOARD ASY	RTD155		PXL439570-1040	
C885	264418	CAP ELECT 47UF 16V 20% 85C	MAIN BOARD ASY	RTD155		PRE039540-4700	
C887	264418	CAP ELECT 47UF 16V 20% 85C	MAIN BOARD ASY	RTD155		PRE039540-4700	
C888	264316	CHIP CAP 2PF 50V 5%	MAIN BOARD ASY	RTD155		PXL410370-2090	
C889	264316	CHIP CAP 2PF 50V 5%	MAIN BOARD ASY	RTD155		PXL410370-2090	
C890	264316	CHIP CAP 2PF 50V 5%	MAIN BOARD ASY	RTD155		PXL410370-2090	
C891	264316	CHIP CAP 2PF 50V 5%	MAIN BOARD ASY	RTD155		PXL410370-2090	
C892	264326	CHIP CAP 0.1 UF 50V 20% Y5V	MAIN BOARD ASY	RTD155		PXL439570-1040	
C893	264324	CHIP CAP 1000 PF 50V 5% NPO	MAIN BOARD ASY	RTD155		PXL410370-1020	
C894	264326	CHIP CAP 0.1 UF 50V 20% Y5V	MAIN BOARD ASY	RTD155		PXL439570-1040	
C895	264325	CHIP CAP 0.01UF 50V 5% X7R	MAIN BOARD ASY	RTD155		PXL456370-1030	
C896	264326	CHIP CAP 0.1 UF 50V 20% Y5V	MAIN BOARD ASY	RTD155		PXL439570-1040	
C897	264327	CHIP CAP 150PF 50V 5% NPO	MAIN BOARD ASY	RTD155		PXL410370-1510	
C898	264326	CHIP CAP 0.1 UF 50V 20% Y5V	MAIN BOARD ASY	RTD155		PXL439570-1040	
C899	264327	CHIP CAP 150PF 50V 5% NPO	MAIN BOARD ASY	RTD155		PXL410370-1510	
C901	264510	CAP SAFETY 0.22UF 275V X2P 20%	POWER BOARD ASY	RTD155	S	PVX2705G0-2240	
C902	264510	CAP SAFETY 0.22UF 275V X2P 20%	POWER BOARD ASY	RTD155	S	PVX2705G0-2240	
C903	264506	CAP ELECT 220 UF 200V 20% 105C	POWER BOARD ASY	RTD155	S	PJE0995E0-2210	
C904	264506	CAP ELECT 220 UF 200V 20% 105C	POWER BOARD ASY	RTD155		PJE0995E0-2210	
C905	264509	CAP SAFETY 0.0022UF 250V 20%	POWER BOARD ASY	RTD155	S	PVY1705F0-2220	
C906	264509	CAP SAFETY 0.0022UF 250V 20%	POWER BOARD ASY	RTD155	S	PVY1705F0-2220	
C907	264502	CAP DISC 0.01UF 1KV 20%	POWER BOARD ASY	RTD155	S	PRD2355Q0-1030	
C908	264472	CAP DISC 470 PF 1KV 10% 125C	POWER BOARD ASY	RTD155	S	PRD5564Q0-4710	
C909	264509	CAP SAFETY 0.0022UF 250V 20%	POWER BOARD ASY	RTD155	S	PVY1705F0-2220	
C910	264471	CAP DISC 0.001UF 1KV 20% Y5P	POWER BOARD ASY	RTD155	S	PRD2355Q0-1020	
C911	264503	CAP MULTI 1 UF 50V 20% Z5U	POWER BOARD ASY	RTD155		PRL048570-1050	
C912	264455	CAP DISC 0.1 UF 50V +80-20%	POWER BOARD ASY	RTD155		PRD249670-1040	
C913	264464	CAP ELECT 47UF 25V 20% 85C	POWER BOARD ASY	RTD155		PRE039550-4700	
C919	264468	CAP DISC 4700 PF 50V 10%	POWER BOARD ASY	RTD155		PRD235470-4720	
C920	264467	CAP DISC 0.1 UF 50V 10%	POWER BOARD ASY	RTD155		PRD235470-1040	
C924	264509	CAP SAFETY 0.0022UF 250V 20%	POWER BOARD ASY	RTD155	S	PVY1705F0-2220	
C925	264471	CAP DISC 0.001UF 1KV 20% Y5P	POWER BOARD ASY	RTD155	S	PRD2355Q0-1020	
C926	264465	CAP ELECT 1UF 50V 20% 85C	POWER BOARD ASY	RTD155		PRE039570-1090	
C928	264526	CAP ELECT 4.7UF 400V 20% 105C	POWER BOARD ASY	RTD155	S	PVE0995K0-4790	
C929	264507	CAP ELECT 1000 UF 25V 20% 85`C	POWER BOARD ASY	RTD155		PVE039550-1020	
C930	264454	CAP DISC 1000 PF 50V 10%	POWER BOARD ASY	RTD155		PRD235470-1020	
C931	264507	CAP ELECT 1000 UF 25V 20% 85`C	POWER BOARD ASY	RTD155		PVE039550-1020	
C932	264471	CAP DISC 0.001UF 1KV 20% Y5P	POWER BOARD ASY	RTD155	S	PRD2355Q0-1020	

Symbol	Stock	Description	Circuit	Model	TypeCode	Drawing	Notes
C933	264454	CAP DISC 1000 PF 50V 10%	POWER BOARD ASY	RTD155		PRD235470-1020	
C934	264500	CAP ELECT 10UF 25V 20% 85C	POWER BOARD ASY	RTD155		PRE039550-1000	
C935	264470	CAP DISC 470 PF 1KV 10% Y5P	POWER BOARD ASY	RTD155	S	PRD2354Q0-4710	
C936	264499	CAP ELECT 33UF10V 20% 85C	POWER BOARD ASY	RTD155		PRE039530-3300	
C937	264499	CAP ELECT 33UF10V 20% 85C	POWER BOARD ASY	RTD155		PRE039530-3300	
C938	264454	CAP DISC 1000 PF 50V 10%	POWER BOARD ASY	RTD155		PRD235470-1020	
C939	264471	CAP DISC 0.001UF 1KV 20% Y5P	POWER BOARD ASY	RTD155	S	PRD2355Q0-1020	
C940	264471	CAP DISC 0.001UF 1KV 20% Y5P	POWER BOARD ASY	RTD155	S	PRD2355Q0-1020	
C941	264454	CAP DISC 1000 PF 50V 10%	POWER BOARD ASY	RTD155		PRD235470-1020	
C945	264470	CAP DISC 470 PF 1KV 10% Y5P	POWER BOARD ASY	RTD155		PRD2354Q0-4710	
C947	264508	CAP ELECT 1000 UF 50V 20%	POWER BOARD ASY	RTD155		PVE039570-1020	
C948	264508	CAP ELECT 1000 UF 50V 20%	POWER BOARD ASY	RTD155		PVE039570-1020	
C949	264454	CAP DISC 1000 PF 50V 10%	POWER BOARD ASY	RTD155		PRD235470-1020	
C950	264466	CAP DISC 0.01 UF 50V	POWER BOARD ASY	RTD155		PRD235470-1030	
C950	264418	CAP ELECT 47UF 16V 20% 85C	MAIN BOARD ASY	RTD155		PRE039540-4700	
C951	264455	CAP DISC 0.1 UF 50V +80-20%	POWER BOARD ASY	RTD155		PRD249670-1040	
C951	264326	CHIP CAP 0.1 UF 50V 20% Y5V	MAIN BOARD ASY	RTD155		PXL439570-1040	
C952	264508	CAP ELECT 1000 UF 50V 20%	POWER BOARD ASY	RTD155		PVE039570-1020	
C952	264326	CHIP CAP 0.1 UF 50V 20% Y5V	MAIN BOARD ASY	RTD155		PXL439570-1040	
C953	264471	CAP DISC 0.001UF 1KV 20% Y5P	POWER BOARD ASY	RTD155	S	PRD2355Q0-1020	
C953	264418	CAP ELECT 47UF 16V 20% 85C	MAIN BOARD ASY	RTD155		PRE039540-4700	
C954	264326	CHIP CAP 0.1 UF 50V 20% Y5V	MAIN BOARD ASY	RTD155	S	PXL439570-1040	
C955	264418	CAP ELECT 47UF 16V 20% 85C	MAIN BOARD ASY	RTD155		PRE039540-4700	
C956	264418	CAP ELECT 47UF 16V 20% 85C	MAIN BOARD ASY	RTD155		PRE039540-4700	
C957	264326	CHIP CAP 0.1 UF 50V 20% Y5V	MAIN BOARD ASY	RTD155		PXL439570-1040	
C958	264418	CAP ELECT 47UF 16V 20% 85C	MAIN BOARD ASY	RTD155		PRE039540-4700	
C959	264326	CHIP CAP 0.1 UF 50V 20% Y5V	MAIN BOARD ASY	RTD155		PXL439570-1040	
C960	264418	CAP ELECT 47UF 16V 20% 85C	MAIN BOARD ASY	RTD155		PRE039540-4700	
C961	264326	CHIP CAP 0.1 UF 50V 20% Y5V	MAIN BOARD ASY	RTD155		PXL439570-1040	
C962	264455	CAP DISC 0.1 UF 50V +80-20%	POWER BOARD ASY	RTD155		PRD249670-1040	
C963	264509	CAP SAFETY 0.0022UF 250V 20%	POWER BOARD ASY	RTD155	S	PVY1705F0-2220	
C964	264509	CAP SAFETY 0.0022UF 250V 20%	POWER BOARD ASY	RTD155	S	PVY1705F0-2220	
C965	264471	CAP DISC 0.001UF 1KV 20% Y5P	POWER BOARD ASY	RTD155	S	PRD2355Q0-1020	
C966	264471	CAP DISC 0.001UF 1KV 20% Y5P	POWER BOARD ASY	RTD155	S	PRD2355Q0-1020	
C967	264471	CAP DISC 0.001UF 1KV 20% Y5P	POWER BOARD ASY	RTD155	S	PRD2355Q0-1020	
C968	264509	CAP SAFETY 0.0022UF 250V 20%	POWER BOARD ASY	RTD155	S	PVY1705F0-2220	
C969	264466	CAP DISC 0.01 UF 50V	POWER BOARD ASY	RTD155		PRD235470-1030	
C970	264455	CAP DISC 0.1 UF 50V +80-20%	POWER BOARD ASY	RTD155		PRD249670-1040	
C971	264465	CAP ELECT 1UF 50V 20% 85C	POWER BOARD ASY	RTD155		PRE039570-1090	
C972	264416	CAP ELECT 10 UF 50V 20% 85C	POWER BOARD ASY	RTD155		PRE039570-1000	
CAP	264463	CAP ELECT 220UF 25V 20% 85C	POWER BOARD ASY	RTD155		PRE039550-2210	
CF001	264252	CER FILTER 10.7 MHZ	MAIN BOARD ASY	RTD155		JFT005002-0040	
CF002	264252	CER FILTER 10.7 MHZ	MAIN BOARD ASY	RTD155		JFT005002-0040	
CIRCU	264237	CIRCUIT MAIN PCB	MAIN BOARD ASY	RTD155		APE200821-0002	
CIRCUIT	265712	CIRCUIT, MAIN PCB	MAIN BOARD	RTD155	S	LFM200821-0001	
CN001	264263	CONNECTOR S2B-XH-A 2 PIN	MAIN BOARD ASY	RTD155		CCN250000-0502	
CN202	264248	CONNECTOR 8 PIN PITCH=2.0MM	MAIN BOARD ASY	RTD155		CCN200000-0108	
CN203	264453	SHIELD CABLE 3PIN 200MM GRY	FRONT PANEL ASY	RTD155		VSW324552-0200	
CN401	264243	CONNECTOR 3 PIN PITCH=2.0MM	MAIN BOARD ASY	RTD155		CCN200000-0103	
CN402	264430	CONNECTOR 2 PIN PITCH=2.0MM	MAIN BOARD ASY	RTD155		CCN200000-0102	
CN601	264431	CONNECTOR B2B-XH-A 2 PIN	MAIN BOARD ASY	RTD155		CCN250000-0102	
CN602	264247	CONNECTOR B8B-XH-A 8 PIN	MAIN BOARD ASY	RTD155		CCN250000-0108	
CN603	264429	CONNECTOR 7 PIN PITCH=2.0MM	MAIN BOARD ASY	RTD155		CCN200000-0107	
CN604	264248	CONNECTOR 8 PIN PITCH=2.0MM	MAIN BOARD ASY	RTD155		CCN200000-0108	
CN606	264244	CONNECTOR 4 PIN CL3962WVO	MAIN BOARD ASY	RTD155		CCN396020-0104	
CN608	264243	CONNECTOR 3 PIN PITCH=2.0MM	MAIN BOARD ASY	RTD155		CCN200000-0103	
CN609	264265	CONNECTOR 4 PIN PITCH=2.0MM	MAIN BOARD ASY	RTD155		CCN200000-0104	
CN801	264245	CONNECTOR 5 PIN PITCH=2.0MM	MAIN BOARD ASY	RTD155		CCN200000-0105	
CN802	264426	CONNECTOR 6P P=1.0MMX2	MAIN BOARD ASY	RTD155		CCH100010-2206	
CN803	264386	CONNECTOR 24PIN PITCH=0.5	MAIN BOARD ASY	RTD155		CHC050050-0824	
CN902	264504	CONNECTOR 4 PIN P=3.96MM	POWER BOARD ASY	RTD155		CCN396021-0104	
CON203	264243	CONNECTOR 3 PIN PITCH=2.0MM	FRONT PANEL ASY	RTD155		CCN200000-0103	
CONTR	N/S/P	CONTROL PCB AI ASSY	FRONT PANEL ASY	RTD155		APE200771-1001	
CONTR	N/S/P	CONTROL+EARPHONE+STANDBY+VIDEO	FRONT PANEL ASY	RTD155		LVC200770-0501	
D001	264339	DIODE CHIP BAV16W/IN4148W	MAIN BOARD ASY	RTD155		RCD114148-0011	
D002	264339	DIODE CHIP BAV16W/IN4148W	MAIN BOARD ASY	RTD155		RCD114148-0011	
D003	264339	DIODE CHIP BAV16W/IN4148W	MAIN BOARD ASY	RTD155		RCD114148-0011	
D004	264339	DIODE CHIP BAV16W/IN4148W	MAIN BOARD ASY	RTD155		RCD114148-0011	
D005	264412	DIODE SW 1N4148	MAIN BOARD ASY	RTD155		RAD114148-0010	
D201	264412	DIODE SW 1N4148	FRONT PANEL ASY	RTD155		RAD114148-0010	
D202	264412	DIODE SW 1N4148	FRONT PANEL ASY	RTD155		RAD114148-0010	
D203	264412	DIODE SW 1N4148	FRONT PANEL ASY	RTD155		RAD114148-0010	
D401	264339	DIODE CHIP BAV16W/IN4148W	MAIN BOARD ASY	RTD155		RCD114148-0011	
D601	264339	DIODE CHIP BAV16W/IN4148W	MAIN BOARD ASY	RTD155		RCD114148-0011	
D602	264339	DIODE CHIP BAV16W/IN4148W	MAIN BOARD ASY	RTD155		RCD114148-0011	
D603	264339	DIODE CHIP BAV16W/IN4148W	MAIN BOARD ASY	RTD155		RCD114148-0011	
D604	264411	DIODE RECTIFIER 1N40011A 35VRM	MAIN BOARD ASY	RTD155		RAD114001-0010	
D607	264339	DIODE CHIP BAV16W/IN4148W	MAIN BOARD ASY	RTD155		RCD114148-0011	
D608	264339	DIODE CHIP BAV16W/IN4148W	MAIN BOARD ASY	RTD155		RCD114148-0011	
D609	264339	DIODE CHIP BAV16W/IN4148W	MAIN BOARD ASY	RTD155		RCD114148-0011	

Symbol	Stock	Description	Circuit	Model	TypeCode	Drawing	Notes
D610	264339	DIODE CHIP BAV16W/IN4148W	MAIN BOARD ASY	RTD155		RCD114148-0011	
D901	264339	DIODE CHIP BAV16W/IN4148W	MAIN BOARD ASY	RTD155		RCD114148-0011	
D901	264480	DIODE BYV26D PHILIPS	POWER BOARD ASY	RTD155		RAD100026-0010	
D902	264412	DIODE SW 1N4148	POWER BOARD ASY	RTD155		RAD114148-0010	
D904	264412	DIODE SW 1N4148	POWER BOARD ASY	RTD155		RAD114148-0010	
D905	264513	DIODE BRIDGE MUR1620CT 8A 200V	POWER BOARD ASY	RTD155	S	RHD208020-0010	
D906	264512	DIODE RECT 1N5822 3A 45V	POWER BOARD ASY	RTD155	S	RAD115822-0010	
D907	264482	DIODE HER204 2A 300V 50NS	POWER BOARD ASY	RTD155		RAD100204-0010	
D908	264481	DIODE HER104 1A 300V 50NS	POWER BOARD ASY	RTD155		RAD100104-0010	
D911	264485	DIODE 1N4007	POWER BOARD ASY	RTD155		RAD114007-0010	
D912	264485	DIODE 1N4007	POWER BOARD ASY	RTD155		RAD114007-0010	
D913	264485	DIODE 1N4007	POWER BOARD ASY	RTD155		RAD114007-0010	
D914	264485	DIODE 1N4007	POWER BOARD ASY	RTD155		RAD114007-0010	
D915	264496	DIODE UF4007 FAST RECOVERY	POWER BOARD ASY	RTD155		RAD114007-0020	
D916	264488	DIODE FR103 1A 200V	POWER BOARD ASY	RTD155		RAD100103-0020	
DP201	264437	DISPLAY VFD VA84X9PA118	FRONT PANEL ASY	RTD155		KL000016-0020	
EARPH	N/S/P	EARPHONE PCB	FRONT PANEL ASY	RTD155		501	
EF001	264264	TUNER PACK KWAGSUN KST-F404HA	MAIN BOARD ASY	RTD155		WTP000011-0004	
ESD1	264339	DIODE CHIP BAV16W/IN4148W	MAIN BOARD ASY	RTD155		RCD114148-0011	
ESD1	N/S/P	SOLDER LUG OD7.0XID3.5XT0.3 MM	FRONT PANEL ASY	RTD155		CSL207035-0200	
ESD2	264339	DIODE CHIP BAV16W/IN4148W	MAIN BOARD ASY	RTD155		RCD114148-0011	
ESD3	N/S/P	SOLDER LUG OD7.0XID3.5XT0.3 MM	FRONT PANEL ASY	RTD155		CSL207035-0200	
ESD6	N/S/P	SOLDER LUG OD7.0XID3.5XT0.3 MM	FRONT PANEL ASY	RTD155		CSL207035-0900	
EVA	N/S/P	EVA SPONGE L9XW7XT5MM W/DOUBLE	FRONT PANEL ASY	RTD155		IVE100306-0001	
F003	264253	CR FILTER 450 KHZ	MAIN BOARD ASY	RTD155		JFT00501-0030	
F901	264531	FUSE 3.15A 250V SLOW	POWER BOARD ASY	RTD155	S	KSA020315-0010	
FB101	264401	BEAD FERIT DIA3.5X6MM 100 OHM	MAIN BOARD ASY	RTD155		SFB001001-0030	
FB102	264401	BEAD FERIT DIA3.5X6MM 100 OHM	MAIN BOARD ASY	RTD155		SFB001001-0030	
FB103	264343	CHIP BEAD 600 OHM AT 100MHZ	MAIN BOARD ASY	RTD155		SCB008050-6010	
FB104	264343	CHIP BEAD 600 OHM AT 100MHZ	MAIN BOARD ASY	RTD155		SCB008050-6010	
FB105	264343	CHIP BEAD 600 OHM AT 100MHZ	MAIN BOARD ASY	RTD155		SCB008050-6010	
FB106	264343	CHIP BEAD 600 OHM AT 100MHZ	MAIN BOARD ASY	RTD155		SCB008050-6010	
FB107	264343	CHIP BEAD 600 OHM AT 100MHZ	MAIN BOARD ASY	RTD155		SCB008050-6010	
FB111	264343	CHIP BEAD 600 OHM AT 100MHZ	MAIN BOARD ASY	RTD155		SCB008050-6010	
FB112	264343	CHIP BEAD 600 OHM AT 100MHZ	MAIN BOARD ASY	RTD155		SCB008050-6010	
FB113	264343	CHIP BEAD 600 OHM AT 100MHZ	MAIN BOARD ASY	RTD155		SCB008050-6010	
FB114	264401	BEAD FERIT DIA3.5X6MM 100 OHM	MAIN BOARD ASY	RTD155		SFB001001-0030	
FB115	264401	BEAD FERIT DIA3.5X6MM 100 OHM	MAIN BOARD ASY	RTD155		SFB001001-0030	
FB116	264343	CHIP BEAD 600 OHM AT 100MHZ	MAIN BOARD ASY	RTD155		SCB008050-6010	
FB121	264343	CHIP BEAD 600 OHM AT 100MHZ	MAIN BOARD ASY	RTD155		SCB008050-6010	
FB122	264268	CHIP RES. 0 OHM JUMP WIRE	MAIN BOARD ASY	RTD155		QCF165030-0000	
FB600	264401	BEAD FERIT DIA3.5X6MM 100 OHM	MAIN BOARD ASY	RTD155		SFB001001-0030	
FB901	264343	CHIP BEAD 600 OHM AT 100MHZ	MAIN BOARD ASY	RTD155		SCB008050-6010	
FB902	264343	CHIP BEAD 600 OHM AT 100MHZ	MAIN BOARD ASY	RTD155		SCB008050-6010	
FB903	264401	BEAD FERIT DIA3.5X6MM 100 OHM	MAIN BOARD ASY	RTD155		SFB001001-0030	
FB904	264401	BEAD FERIT DIA3.5X6MM 100 OHM	MAIN BOARD ASY	RTD155		SFB001001-0030	
FFC	264546	FFC CABLE 6P 80MM	CABINET ASY	RTD155		VFC060320-0800	
FFC	264547	FFC CABLE 24P 240MM	CABINET ASY	RTD155		VFC240110-2400	
FLAT	264545	FLAT CABLE 5P 100MM	CABINET ASY	RTD155		VFL501244-1000	
FM	264551	FM ANT 1500MM	INCLUDED ACCESSORIES	RTD155		VTA400003-0030	
FUSE	N/S/P	FUSE CLIP DIA5XL20MM FUSE	POWER BOARD ASY	RTD155		CFC011000-1001	
HEAT	N/S/P	HEAT SINK	MAIN BOARD ASY	RTD155		GAL000104-0002	
HEAT	N/S/P	HEAT SINK AL H=28MM	MAIN BOARD ASY	RTD155		GAL100139-0001	
HEAT	N/S/P	HEAT SINK AL (MAIN PCB)	MAIN BOARD ASY	RTD155		GAL200022-0001	
IC	264397	IC 40PIN IS41LV16256-35T TSOP	MAIN BOARD ASY	RTD155		RCI411625-0101	
IC	N/S/P	IC BRACKET SECC	MAIN BOARD ASY	RTD155		GSE100215-0001	
IC001	264383	IC 30 PIN LA1837 SANYO	MAIN BOARD ASY	RTD155		RCI001837-0001	
IC002	264384	IC 20 PIN LC72131M SANYO	MAIN BOARD ASY	RTD155		RCI072131-0001	
IC101	264365	IC 40PIN SST39VF080 3.3V	MAIN BOARD ASY	RTD155		RCI390080-0001	
IC102	264396	IC 20 PIN 74F374D DR101	MAIN BOARD ASY	RTD155		RCI740374-0003	
IC103	264350	IC 20 PIN 74HC374	MAIN BOARD ASY	RTD155		RCI740374-0002	
IC104	264353	IC 16PIN SN74F157A NS	MAIN BOARD ASY	RTD155		RCI740157-0002	
IC105	264368	IC 3 PIN IMP809SEUR-T SOT23	MAIN BOARD ASY	RTD155		RCI000809-0003	
IC106	264358	IC 208 P ES6028 MICRO CPU	MAIN BOARD ASY	RTD155		RCI006028-0001	
IC107	264349	IC 8 PIN AT24C02N-10SI-2.7	MAIN BOARD ASY	RTD155		RCI024002-0002	
IC108	264350	IC 20 PIN 74HC374	MAIN BOARD ASY	RTD155		RCI740374-0002	
IC109	264348	IC 54 PIN 4MX16Y3VTW	MAIN BOARD ASY	RTD155		RCI400160-0001	
IC110	264367	IC 28 PIN WM8772 TSOP WOLFSON	MAIN BOARD ASY	RTD155		RCI008772-0001	
IC114	264363	IC 3 PIN RT9164-33CLR	MAIN BOARD ASY	RTD155		RCI916433-0001	
IC115	264364	IC 4 PIN B1117N-2.85 SOT-223	MAIN BOARD ASY	RTD155		RCI011170-0001	
IC117	264390	IC 8 PIN NJM2534M SIP8	MAIN BOARD ASY	RTD155		RCI002534-0001	
IC201	264447	IC 18 PIN PDIP	FRONT PANEL ASY	RTD155		RHI008056-0001	
IC202	264443	IC 52 PIN PT6311(PTC)	FRONT PANEL ASY	RTD155		RCI006311-0001	
IC401	264355	IC 8PIN TEXAS RC4558D SOP8	MAIN BOARD ASY	RTD155		RCI004558-0003	
IC402	264355	IC 8PIN TEXAS RC4558D SOP8	MAIN BOARD ASY	RTD155		RCI004558-0003	
IC403	264355	IC 8PIN TEXAS RC4558D SOP8	MAIN BOARD ASY	RTD155		RCI004558-0003	
IC404	264355	IC 8PIN TEXAS RC4558D SOP8	MAIN BOARD ASY	RTD155		RCI004558-0003	
IC405	264354	IC 16 PIN TC4052BFN CHIP	MAIN BOARD ASY	RTD155		RCI004052-0001	
IC406	264355	IC 8PIN TEXAS RC4558D SOP8	MAIN BOARD ASY	RTD155		RCI004558-0003	
IC500	264090	IC 36 PIN STA505	MAIN BOARD ASY	RTD155		RCI0005050001	

Symbol	Stock	Description	Circuit	Model	TypeCode	Drawing	Notes
IC501	264090	IC 36 PIN STA505	MAIN BOARD ASY	RTD155		RCI0005050001	
IC502	264090	IC 36 PIN STA505	MAIN BOARD ASY	RTD155		RCI0005050001	
IC503	264357	IC 64PIN STA308 TQFP ST	MAIN BOARD ASY	RTD155		RCI000308-0001	
IC602	264242	IC 3 PIN L7808 8V 1A	MAIN BOARD ASY	RTD155		RHI007808-0001	
IC603	264241	IC 3 PIN BA05T TO220FP ROHM	MAIN BOARD ASY	RTD155		RHI007805-0401	
IC604	264241	IC 3 PIN BA05T TO220FP ROHM	MAIN BOARD ASY	RTD155		RHI007805-0401	
IC605	264364	IC 4 PIN B1117N-2.85 SOT-223	MAIN BOARD ASY	RTD155		RCI011170-0001	
IC608	264362	IC 8PIN PT2259 SOP8 PTC	MAIN BOARD ASY	RTD155		RCI002259-0001	
IC609	264366	IC 8PIN TP5228 SOP-8 TOPRO	MAIN BOARD ASY	RTD155		RCI005228-0001	
IC801	264387	IC 36 PIN LA6560 SOP SANYO	MAIN BOARD ASY	RTD155		RCI006560-0001	
IC802	264360	IC 64 PIN LA9703W SQFP	MAIN BOARD ASY	RTD155		RCI009703-0001	
IC803	264361	IC 176 PIN LC78663NRW SANYO	MAIN BOARD ASY	RTD155		RCI078663-0001	
IC804	264359	IC 40 PIN IC41LV16256-35T	MAIN BOARD ASY	RTD155		RCI411625-0001	
IC807	264352	IC 14PIN SN74LVC32ANS	MAIN BOARD ASY	RTD155		RCI740032-0005	
IC808	264351	IC 14PIN SN74HC14NS	MAIN BOARD ASY	RTD155		RCI740014-0006	
IC809	264356	IC 8 PIN LM358MX NS	MAIN BOARD ASY	RTD155		RCI003580-0001	
IC810	264363	IC 3 PIN RT9164-33CLR	MAIN BOARD ASY	RTD155		RCI916433-0001	
IC903	264515	IC 6 PIN TOP249 250W	POWER BOARD ASY	RTD155	S	RHI000249-0001	
IC904	264529	IC 3 PIN TL43 VOLTAGE REGU	POWER BOARD ASY	RTD155	S	RHI004310-0001	
IC905	264524	IC NCP1050DIP	POWER BOARD ASY	RTD155		RHI001050-0001	
JK001	264262	RF JACK FEMALE TYPE ID1.44M	MAIN BOARD ASY	RTD155		CJA003002-2010	
JK101	264428	JACK RCA YEL = S-VIDEO	MAIN BOARD ASY	RTD155		CJC010004-3030	
JK104	264460	RCA JACK 3P YEL/WHT/RED NICKEL	FRONT PANEL ASY	RTD155		CJR003703-0010	
JK203	264435	SW SLIDE 1P2T 3PIN L=4MM	MAIN BOARD ASY	RTD155		MSW004043-0010	
JK205	264436	RCA JACK 3P RED/BLU/GRN AXIA	MAIN BOARD ASY	RTD155		CJR003301-0020	
JK401	264246	RCA JACK 4P WHT-WHT/RED-RED	MAIN BOARD ASY	RTD155		CJR104101-0010	
JK500	264091	SPEAKER JACK 12P	MAIN BOARD ASY	RTD155		CJS1121010010	
JK502	264457	PHONE JACK D6.4 9 PIN NICKEL	FRONT PANEL ASY	RTD155		CJM064001-1010	
JW1	N/S/P	WIRE 26 GA 140 MM BLACK 4-4	POWER BOARD ASY	RTD155		VWR0151BB-0140	
JW3	N/S/P	SOLDER LUG OD7.0XID3.5XT0.3 MM	FRONT PANEL ASY	RTD155		CSL207035-0200	
L001	264400	CHOKE 10 UH 10%	MAIN BOARD ASY	RTD155		SAN001600-1000	
L002	264427	COIL 39 MH 10% D6XH11XP5MM	MAIN BOARD ASY	RTD155		SIL106003-3930	
L003	264400	CHOKE 10 UH 10%	MAIN BOARD ASY	RTD155		SAN001600-1000	
L007	264400	CHOKE 10 UH 10%	MAIN BOARD ASY	RTD155		SAN001600-1000	
L103	264389	CHIP INDUC 1.0UH SMD 0805	MAIN BOARD ASY	RTD155		SCN223601-1090	
L104	264389	CHIP INDUC 1.0UH SMD 0805	MAIN BOARD ASY	RTD155		SCN223601-1090	
L105	264389	CHIP INDUC 1.0UH SMD 0805	MAIN BOARD ASY	RTD155		SCN223601-1090	
L106	264389	CHIP INDUC 1.0UH SMD 0805	MAIN BOARD ASY	RTD155		SCN223601-1090	
L500	264425	INDUCTOR 30UH 15% 1KHZ .25V 2A	MAIN BOARD ASY	RTD155		SIN002002-3000	
L501	264425	INDUCTOR 30UH 15% 1KHZ .25V 2A	MAIN BOARD ASY	RTD155		SIN002002-3000	
L502	264425	INDUCTOR 30UH 15% 1KHZ .25V 2A	MAIN BOARD ASY	RTD155		SIN002002-3000	
L503	264425	INDUCTOR 30UH 15% 1KHZ .25V 2A	MAIN BOARD ASY	RTD155		SIN002002-3000	
L504	264425	INDUCTOR 30UH 15% 1KHZ .25V 2A	MAIN BOARD ASY	RTD155		SIN002002-3000	
L505	264425	INDUCTOR 30UH 15% 1KHZ .25V 2A	MAIN BOARD ASY	RTD155		SIN002002-3000	
L506	264425	INDUCTOR 30UH 15% 1KHZ .25V 2A	MAIN BOARD ASY	RTD155		SIN002002-3000	
L507	264425	INDUCTOR 30UH 15% 1KHZ .25V 2A	MAIN BOARD ASY	RTD155		SIN002002-3000	
L508	264240	COIL 20UH D0.5MM 4PIN	MAIN BOARD ASY	RTD155		SIL102001-2000	
L509	264240	COIL 20UH D0.5MM 4PIN	MAIN BOARD ASY	RTD155		SIL102001-2000	
L510	264240	COIL 20UH D0.5MM 4PIN	MAIN BOARD ASY	RTD155		SIL102001-2000	
L511	264240	COIL 20UH D0.5MM 4PIN	MAIN BOARD ASY	RTD155		SIL102001-2000	
L512	264240	COIL 20UH D0.5MM 4PIN	MAIN BOARD ASY	RTD155		SIL102001-2000	
L513	264240	COIL 20UH D0.5MM 4PIN	MAIN BOARD ASY	RTD155		SIL102001-2000	
L514	264343	CHIP BEAD 600 OHM AT 100MHZ	MAIN BOARD ASY	RTD155		SCB008050-6010	
L515	264343	CHIP BEAD 600 OHM AT 100MHZ	MAIN BOARD ASY	RTD155		SCB008050-6010	
L516	264425	INDUCTOR 30UH 15% 1KHZ .25V 2A	MAIN BOARD ASY	RTD155		SIN002002-3000	
L517	264425	INDUCTOR 30UH 15% 1KHZ .25V 2A	MAIN BOARD ASY	RTD155		SIN002002-3000	
L518	264425	INDUCTOR 30UH 15% 1KHZ .25V 2A	MAIN BOARD ASY	RTD155		SIN002002-3000	
L519	264425	INDUCTOR 30UH 15% 1KHZ .25V 2A	MAIN BOARD ASY	RTD155		SIN002002-3000	
L602	264342	CHIP INDUC 10 UH 10% SMD 0805	MAIN BOARD ASY	RTD155		SCN023600-1000	
L603	264342	CHIP INDUC 10 UH 10% SMD 0805	MAIN BOARD ASY	RTD155		SCN023600-1000	
L801	264343	CHIP BEAD 600 OHM AT 100MHZ	MAIN BOARD ASY	RTD155		SCB008050-6010	
L802	264343	CHIP BEAD 600 OHM AT 100MHZ	MAIN BOARD ASY	RTD155		SCB008050-6010	
L901	264519	INDUCTOR 6UH 10.5TS 6A	POWER BOARD ASY	RTD155		SIL106001-6090	
L902	264520	INDUCTOR 6UH 13.5TS 2UEW	POWER BOARD ASY	RTD155		SIL106002-6090	
L903	264520	INDUCTOR 6UH 13.5TS 2UEW	POWER BOARD ASY	RTD155		SIL106002-6090	
L904	264527	COIL 10UH 1.5A 10% 1KHZ/0.3V	POWER BOARD ASY	RTD155		SIL206001-1000	
LD301	264458	LED 2 DIA RED ROUND	FRONT PANEL ASY	RTD155		KED200002-0010	
LED	N/S/P	LED STANDBY PCB ASSY	FRONT PANEL ASY	RTD155		APE200773-0001	
LOOP	264552	LOOP ANT 2000MM AM	INCLUDED ACCESSORIES	RTD155		VTA100002-0010	
P1	N/S/P	WIRE 22 GA 90MM RED 4-4	POWER BOARD ASY	RTD155		VWR0333BB-0090	
P901	N/S/P	WIRE 22 GA 60 MM RED 4-4	POWER BOARD ASY	RTD155		VWR0333BB-0060	
PHONE	N/S/P	PHONE PCB ASSY I)	FRONT PANEL ASY	RTD155		APE200772-0001	
PHONE	N/S/P	PHONE PCB ASSY I)	FRONT PANEL ASY	RTD155		APE200772-0001	
Q001	264424	TRANSISTOR FET 2SK192A-Y/GR	MAIN BOARD ASY	RTD155		RAM200192-1001	
Q002	264385	XISTR NPN 2SC1009A FA4 SOT23	MAIN BOARD ASY	RTD155		RCN201009-0001	
Q003	264385	XISTR NPN 2SC1009A FA4 SOT23	MAIN BOARD ASY	RTD155		RCN201009-0001	
Q004	264344	XISTR PNP 2SA812 HFE:200-400	MAIN BOARD ASY	RTD155		RCP200733-0001	
Q005	264345	XISTR NPN HFE:200-400 L6	MAIN BOARD ASY	RTD155		RCN201623-0001	
Q006	264345	XISTR NPN HFE:200-400 L6	MAIN BOARD ASY	RTD155		RCN201623-0001	
Q103	264345	XISTR NPN HFE:200-400 L6	MAIN BOARD ASY	RTD155		RCN201623-0001	

Symbol	Stock	Description	Circuit	Model	TypeCode	Drawing	Notes
Q104	264344	XISTR PNP 2SA812 HFE:200~400	MAIN BOARD ASY	RTD155		RCP200733-0001	
Q105	264345	XISTR NPN HFE:200-400 L6	MAIN BOARD ASY	RTD155		RCN201623-0001	
Q106	264344	XISTR PNP 2SA812 HFE:200~400	MAIN BOARD ASY	RTD155		RCP200733-0001	
Q109	264392	XISTR NPN MMBTA13-K2D SOT23	MAIN BOARD ASY	RTD155		RCN000013-0001	
Q201	264344	XISTR PNP 2SA812 HFE:200~400	FRONT PANEL ASY	RTD155		RCP200733-0001	
Q202	264344	XISTR PNP 2SA812 HFE:200~400	FRONT PANEL ASY	RTD155		RCP200733-0001	
Q203	264344	XISTR PNP 2SA812 HFE:200~400	FRONT PANEL ASY	RTD155		RCP200733-0001	
Q204	264345	XISTR NPN HFE:200-400 L6	FRONT PANEL ASY	RTD155		RCN201623-0001	
Q205	264344	XISTR PNP 2SA812 HFE:200~400	FRONT PANEL ASY	RTD155		RCP200733-0001	
Q401	264344	XISTR PNP 2SA812 HFE:200~400	MAIN BOARD ASY	RTD155		RCP200733-0001	
Q402	264346	XISTR NPN CM5783GR SOT23	MAIN BOARD ASY	RTD155		RCN005783-0001	
Q403	264346	XISTR NPN CM5783GR SOT23	MAIN BOARD ASY	RTD155		RCN005783-0001	
Q601	264344	XISTR PNP 2SA812 HFE:200~400	MAIN BOARD ASY	RTD155		RCP200733-0001	
Q602	264345	XISTR NPN HFE:200-400 L6	MAIN BOARD ASY	RTD155		RCN201623-0001	
Q603	264345	XISTR NPN HFE:200-400 L6	MAIN BOARD ASY	RTD155		RCN201623-0001	
Q604	264344	XISTR PNP 2SA812 HFE:200~400	MAIN BOARD ASY	RTD155		RCP200733-0001	
Q605	264345	XISTR NPN HFE:200-400 L6	MAIN BOARD ASY	RTD155		RCN201623-0001	
Q606	264345	XISTR NPN HFE:200-400 L6	MAIN BOARD ASY	RTD155		RCN201623-0001	
Q607	264345	XISTR NPN HFE:200-400 L6	MAIN BOARD ASY	RTD155		RCN201623-0001	
Q801	264347	XISTR PNP CM5051-O SOT23	MAIN BOARD ASY	RTD155		RCP005051-0001	
Q802	264347	XISTR PNP CM5051-O SOT23	MAIN BOARD ASY	RTD155		RCP005051-0001	
Q803	264346	XISTR NPN CM5783GR SOT23	MAIN BOARD ASY	RTD155		RCN005783-0001	
Q804	264346	XISTR NPN CM5783GR SOT23	MAIN BOARD ASY	RTD155		RCN005783-0001	
Q805	264346	XISTR NPN CM5783GR SOT23	MAIN BOARD ASY	RTD155		RCN005783-0001	
Q806	264346	XISTR NPN CM5783GR SOT23	MAIN BOARD ASY	RTD155		RCN005783-0001	
Q903	264345	XISTR NPN HFE:200-400 L6	MAIN BOARD ASY	RTD155		RCN201623-0001	
Q903	264501	XISTR NPN PN2222A FAIRCHILD	POWER BOARD ASY	RTD155		RAN202222-0001	
Q904	264516	XISTR NPN TIP120	POWER BOARD ASY	RTD155		RHN000120-0001	
Q904	264388	XISTR NPN DDTC114ECA SOT23	MAIN BOARD ASY	RTD155		RCN000114-0001	
Q913	264469	XISTR NPN 2SC2001L	POWER BOARD ASY	RTD155		RAN202001-0001	
R001	264275	CHIP RES. 6.8K OHM 1/16W 5%	MAIN BOARD ASY	RTD155		QCF165030-6820	
R002	264291	CHIP RES. 100K OHM 1/16W 5%	MAIN BOARD ASY	RTD155		QCF165030-1040	
R003	264291	CHIP RES. 100K OHM 1/16W 5%	MAIN BOARD ASY	RTD155		QCF165030-1040	
R004	264402	RES CF 1K OHM 1/6W 5%	MAIN BOARD ASY	RTD155		QAF065000-1020	
R005	264404	RES CF 100 OHM 1/6W 5%	MAIN BOARD ASY	RTD155		QAF065000-1010	
R006	264290	CHIP RES. 100 OHM 1/16W 5%	MAIN BOARD ASY	RTD155		QCF165030-1010	
R007	264291	CHIP RES. 100K OHM 1/16W 5%	MAIN BOARD ASY	RTD155		QCF165030-1040	
R008	264404	RES CF 100 OHM 1/6W 5%	MAIN BOARD ASY	RTD155		QAF065000-1010	
R009	264281	CHIP RES. 22K OHM 1/16W 5%	MAIN BOARD ASY	RTD155		QCF165030-2230	
R010	264373	CHIP RES. 270K OHM 1/16W 5%	MAIN BOARD ASY	RTD155		QCF165030-2740	
R011	264371	CHIP RES 47 OHM 1/16W 5 %	MAIN BOARD ASY	RTD155		QCF165030-3020	
R012	264308	CHIP RES. 330 OHM 1/16W 5%	MAIN BOARD ASY	RTD155		QCF165030-3310	
R013	264290	CHIP RES. 100 OHM 1/16W 5%	MAIN BOARD ASY	RTD155		QCF165030-1010	
R014	264373	CHIP RES. 270K OHM 1/16W 5%	MAIN BOARD ASY	RTD155		QCF165030-2740	
R015	264308	CHIP RES. 330 OHM 1/16W 5%	MAIN BOARD ASY	RTD155		QCF165030-3310	
R016	264278	CHIP RES. 10 OHM 1/16W 5%	MAIN BOARD ASY	RTD155		QCF165030-1000	
R017	264291	CHIP RES. 100K OHM 1/16W 5%	MAIN BOARD ASY	RTD155		QCF165030-1040	
R018	264290	CHIP RES. 100 OHM 1/16W 5%	MAIN BOARD ASY	RTD155		QCF165030-1010	
R019	264394	CHIP RES. 2.7K OHM 1/16W 5%	MAIN BOARD ASY	RTD155		QCF165030-2720	
R020	264372	CHIP RES 51 OHM 1/16W 5%	MAIN BOARD ASY	RTD155		QCF165030-4700	
R021	264273	CHIP RES. 4.7K OHM 1/16W 5 %	MAIN BOARD ASY	RTD155		QCF165030-4720	
R022	264370	CHIP RES. 3K OHM 1/16W 5%	MAIN BOARD ASY	RTD155		QCF165030-2220	
R023	264403	RES CF 4.7K OHM 1/6W 5%	MAIN BOARD ASY	RTD155		QAF065000-4720	
R024	264408	RES CF 3.9K OHM 1/6W 5%	MAIN BOARD ASY	RTD155		QAF065000-3920	
R025	264403	RES CF 4.7K OHM 1/6W 5%	MAIN BOARD ASY	RTD155		QAF065000-4720	
R026	264286	CHIP RES. 47K OHM 1/16W 5 %	MAIN BOARD ASY	RTD155		QCF165030-4730	
R027	264274	CHIP RES. 5.6K OHM 1/16W 5%	MAIN BOARD ASY	RTD155		QCF165030-5620	
R028	264275	CHIP RES. 6.8K OHM 1/16W 5%	MAIN BOARD ASY	RTD155		QCF165030-6820	
R029	264274	CHIP RES. 5.6K OHM 1/16W 5%	MAIN BOARD ASY	RTD155		QCF165030-5620	
R030	264275	CHIP RES. 6.8K OHM 1/16W 5%	MAIN BOARD ASY	RTD155		QCF165030-6820	
R031	264369	CHIP RES. 2.2K OHM 1/16W 5%	MAIN BOARD ASY	RTD155		LFM200821-0001	
R032	264369	CHIP RES. 2.2K OHM 1/16W 5%	MAIN BOARD ASY	RTD155		LFM200821-0001	
R033	264271	CHIP RES. 1K OHM 1/16W 5%	MAIN BOARD ASY	RTD155		QCF165030-1020	
R034	264271	CHIP RES. 1K OHM 1/16W 5%	MAIN BOARD ASY	RTD155		QCF165030-1020	
R035	264271	CHIP RES. 1K OHM 1/16W 5%	MAIN BOARD ASY	RTD155		QCF165030-1020	
R036	264308	CHIP RES. 330 OHM 1/16W 5%	MAIN BOARD ASY	RTD155		QCF165030-3310	
R037	264277	CHIP RES. 10K OHM 1/16W 5%	MAIN BOARD ASY	RTD155		QCF165030-1030	
R038	264273	CHIP RES. 4.7K OHM 1/16W 5 %	MAIN BOARD ASY	RTD155		QCF165030-4720	
R039	264273	CHIP RES. 4.7K OHM 1/16W 5 %	MAIN BOARD ASY	RTD155		QCF165030-4720	
R040	264273	CHIP RES. 4.7K OHM 1/16W 5 %	MAIN BOARD ASY	RTD155		QCF165030-4720	
R041	264273	CHIP RES. 4.7K OHM 1/16W 5 %	MAIN BOARD ASY	RTD155		QCF165030-4720	
R042	264273	CHIP RES. 4.7K OHM 1/16W 5 %	MAIN BOARD ASY	RTD155		QCF165030-4720	
R043	264405	RES CF 100K OHM 1/6W 5%	MAIN BOARD ASY	RTD155		QAF065000-1040	
R044	264277	CHIP RES. 10K OHM 1/16W 5%	MAIN BOARD ASY	RTD155		QCF165030-1030	
R045	264371	CHIP RES 47 OHM 1/16W 5 %	MAIN BOARD ASY	RTD155		QCF165030-3020	
R046	264404	RES CF 100 OHM 1/6W 5%	MAIN BOARD ASY	RTD155		QAF065000-1010	
R047	264406	RES CF 22K OHM 1/6W 5%	MAIN BOARD ASY	RTD155		QAF065000-2230	
R048	264406	RES CF 22K OHM 1/6W 5%	MAIN BOARD ASY	RTD155		QAF065000-2230	
R049	264271	CHIP RES. 1K OHM 1/16W 5%	MAIN BOARD ASY	RTD155		QCF165030-1020	
R050	264271	CHIP RES. 1K OHM 1/16W 5%	MAIN BOARD ASY	RTD155		QCF165030-1020	

Symbol	Stock	Description	Circuit	Model	TypeCode	Drawing	Notes
R051	264271	CHIP RES. 1K OHM 1/16W 5%	MAIN BOARD ASY	RTD155		QCF165030-1020	
R052	264271	CHIP RES. 1K OHM 1/16W 5%	MAIN BOARD ASY	RTD155		QCF165030-1020	
R053	264291	CHIP RES. 100K OHM 1/16W 5%	MAIN BOARD ASY	RTD155		QCF165030-1040	
R057	264273	CHIP RES. 4.7K OHM 1/16W 5 %	MAIN BOARD ASY	RTD155		QCF165030-4720	
R058	264267	RES CF 10 OHM 1/6W 5%	MAIN BOARD ASY	RTD155		QAF065000-1000	
R061	264398	CHIP RES. 560 OHM 1/16W 5 %	MAIN BOARD ASY	RTD155		QCF165030-5610	
R1	264271	CHIP RES. 1K OHM 1/16W 5%	MAIN BOARD ASY	RTD155		QCF165030-1020	
R101	264291	CHIP RES. 100K OHM 1/16W 5%	MAIN BOARD ASY	RTD155		QCF165030-1040	
R102	264268	CHIP RES. 0 OHM JUMP WIRE	MAIN BOARD ASY	RTD155		QCF165030-0000	
R103	264273	CHIP RES. 4.7K OHM 1/16W 5 %	MAIN BOARD ASY	RTD155		QCF165030-4720	
R104	264307	CHIP RES. 270 OHM 1/16W 5%	MAIN BOARD ASY	RTD155		QCF165030-2710	
R106	264273	CHIP RES. 4.7K OHM 1/16W 5 %	MAIN BOARD ASY	RTD155		QCF165030-4720	
R107	264273	CHIP RES. 4.7K OHM 1/16W 5 %	MAIN BOARD ASY	RTD155		QCF165030-4720	
R108	264273	CHIP RES. 4.7K OHM 1/16W 5 %	MAIN BOARD ASY	RTD155		QCF165030-4720	
R109	264268	CHIP RES. 0 OHM JUMP WIRE	MAIN BOARD ASY	RTD155		QCF165030-0000	
R110	264284	CHIP RES. 33 OHM 1/16W 5%	MAIN BOARD ASY	RTD155		QCF165030-3300	
R111	264284	CHIP RES. 33 OHM 1/16W 5%	MAIN BOARD ASY	RTD155		QCF165030-3300	
R112	264278	CHIP RES. 10 OHM 1/16W 5%	MAIN BOARD ASY	RTD155		QCF165030-1000	
R113	264284	CHIP RES. 33 OHM 1/16W 5%	MAIN BOARD ASY	RTD155		QCF165030-3300	
R114	264284	CHIP RES. 33 OHM 1/16W 5%	MAIN BOARD ASY	RTD155		QCF165030-3300	
R115	264287	CHIP RES. 56K OHM 1/16W 5%	MAIN BOARD ASY	RTD155		QCF165030-5630	
R116	264273	CHIP RES. 4.7K OHM 1/16W 5 %	MAIN BOARD ASY	RTD155		QCF165030-4720	
R119	264407	RES CF 33 OHM 1/6W 5%	MAIN BOARD ASY	RTD155		QAF065000-3300	
R120	264407	RES CF 33 OHM 1/6W 5%	MAIN BOARD ASY	RTD155		QAF065000-3300	
R121	264407	RES CF 33 OHM 1/6W 5%	MAIN BOARD ASY	RTD155		QAF065000-3300	
R122	264407	RES CF 33 OHM 1/6W 5%	MAIN BOARD ASY	RTD155		QAF065000-3300	
R123	264407	RES CF 33 OHM 1/6W 5%	MAIN BOARD ASY	RTD155		QAF065000-3300	
R124	264407	RES CF 33 OHM 1/6W 5%	MAIN BOARD ASY	RTD155		QAF065000-3300	
R125	264407	RES CF 33 OHM 1/6W 5%	MAIN BOARD ASY	RTD155		QAF065000-3300	
R127	264289	CHIP RES. 75 OHM 1/16W 5%	MAIN BOARD ASY	RTD155		QCF165030-7500	
R128	264289	CHIP RES. 75 OHM 1/16W 5%	MAIN BOARD ASY	RTD155		QCF165030-7500	
R129	264289	CHIP RES. 75 OHM 1/16W 5%	MAIN BOARD ASY	RTD155		QCF165030-7500	
R130	264289	CHIP RES. 75 OHM 1/16W 5%	MAIN BOARD ASY	RTD155		QCF165030-7500	
R137	264277	CHIP RES. 10K OHM 1/16W 5%	MAIN BOARD ASY	RTD155		QCF165030-1030	
R138	264273	CHIP RES. 4.7K OHM 1/16W 5 %	MAIN BOARD ASY	RTD155		QCF165030-4720	
R139	264277	CHIP RES. 10K OHM 1/16W 5%	MAIN BOARD ASY	RTD155		QCF165030-1030	
R140	264273	CHIP RES. 4.7K OHM 1/16W 5 %	MAIN BOARD ASY	RTD155		QCF165030-4720	
R145	264304	CHIP RES. 120 OHM 1/16W 5%	MAIN BOARD ASY	RTD155		QCF165030-1210	
R146	264305	CHIP RES. 150 OHM 1/16W 5%	MAIN BOARD ASY	RTD155		QCF165030-1510	
R147	264268	CHIP RES. 0 OHM JUMP WIRE	MAIN BOARD ASY	RTD155		QCF165030-0000	
R150	264284	CHIP RES. 33 OHM 1/16W 5%	MAIN BOARD ASY	RTD155		QCF165030-3300	
R151	264284	CHIP RES. 33 OHM 1/16W 5%	MAIN BOARD ASY	RTD155		QCF165030-3300	
R152	264284	CHIP RES. 33 OHM 1/16W 5%	MAIN BOARD ASY	RTD155		QCF165030-3300	
R160	264284	CHIP RES. 33 OHM 1/16W 5%	MAIN BOARD ASY	RTD155		QCF165030-3300	
R161	264284	CHIP RES. 33 OHM 1/16W 5%	MAIN BOARD ASY	RTD155		QCF165030-3300	
R162	264284	CHIP RES. 33 OHM 1/16W 5%	MAIN BOARD ASY	RTD155		QCF165030-3300	
R163	264284	CHIP RES. 33 OHM 1/16W 5%	MAIN BOARD ASY	RTD155		QCF165030-3300	
R168	264273	CHIP RES. 4.7K OHM 1/16W 5 %	MAIN BOARD ASY	RTD155		QCF165030-4720	
R169	264273	CHIP RES. 4.7K OHM 1/16W 5 %	MAIN BOARD ASY	RTD155		QCF165030-4720	
R174	264273	CHIP RES. 4.7K OHM 1/16W 5 %	MAIN BOARD ASY	RTD155		QCF165030-4720	
R2	264268	CHIP RES. 0 OHM JUMP WIRE	MAIN BOARD ASY	RTD155		QCF165030-0000	
R201	264277	CHIP RES. 10K OHM 1/16W 5%	FRONT PANEL ASY	RTD155		QCF165030-1030	
R202	264277	CHIP RES. 10K OHM 1/16W 5%	FRONT PANEL ASY	RTD155		QCF165030-1030	
R203	264277	CHIP RES. 10K OHM 1/16W 5%	FRONT PANEL ASY	RTD155		QCF165030-1030	
R204	264409	RES CF 10K OHM 1/6W 5%	FRONT PANEL ASY	RTD155		QAF065000-1030	
R205	264277	CHIP RES. 10K OHM 1/16W 5%	FRONT PANEL ASY	RTD155		QCF165030-1030	
R206	264291	CHIP RES. 100K OHM 1/16W 5%	FRONT PANEL ASY	RTD155		QCF165030-1040	
R207	264290	CHIP RES. 100 OHM 1/16W 5%	FRONT PANEL ASY	RTD155		QCF165030-1010	
R208	264291	CHIP RES. 100K OHM 1/16W 5%	FRONT PANEL ASY	RTD155		QCF165030-1040	
R209	264398	CHIP RES. 560 OHM 1/16W 5 %	FRONT PANEL ASY	RTD155		QCF165030-5610	
R210	264409	RES CF 10K OHM 1/6W 5%	FRONT PANEL ASY	RTD155		QAF065000-1030	
R211	264404	RES CF 100 OHM 1/6W 5%	FRONT PANEL ASY	RTD155		QAF065000-1010	
R212	264404	RES CF 100 OHM 1/6W 5%	FRONT PANEL ASY	RTD155		QAF065000-1010	
R213	264404	RES CF 100 OHM 1/6W 5%	FRONT PANEL ASY	RTD155		QAF065000-1010	
R214	264440	RES CF 56K OHM 1/6W 5%	FRONT PANEL ASY	RTD155		QAF065000-5630	
R215	264271	CHIP RES. 1K OHM 1/16W 5%	FRONT PANEL ASY	RTD155		QCF165030-1020	
R216	264287	CHIP RES. 56K OHM 1/16W 5%	FRONT PANEL ASY	RTD155		QCF165030-5630	
R218	264287	CHIP RES. 56K OHM 1/16W 5%	FRONT PANEL ASY	RTD155		QCF165030-5630	
R220	264277	CHIP RES. 10K OHM 1/16W 5%	FRONT PANEL ASY	RTD155		QCF165030-1030	
R221	264277	CHIP RES. 10K OHM 1/16W 5%	FRONT PANEL ASY	RTD155		QCF165030-1030	
R222	264277	CHIP RES. 10K OHM 1/16W 5%	FRONT PANEL ASY	RTD155		QCF165030-1030	
R223	264277	CHIP RES. 10K OHM 1/16W 5%	FRONT PANEL ASY	RTD155		QCF165030-1030	
R224	264409	RES CF 10K OHM 1/6W 5%	FRONT PANEL ASY	RTD155		QAF065000-1030	
R225	264409	RES CF 10K OHM 1/6W 5%	FRONT PANEL ASY	RTD155		QAF065000-1030	
R226	264277	CHIP RES. 10K OHM 1/16W 5%	FRONT PANEL ASY	RTD155		QCF165030-1030	
R227	264398	CHIP RES. 560 OHM 1/16W 5 %	FRONT PANEL ASY	RTD155		QCF165030-5610	
R228	264440	RES CF 56K OHM 1/6W 5%	FRONT PANEL ASY	RTD155		QAF065000-5630	
R229	264402	RES CF 1K OHM 1/6W 5%	FRONT PANEL ASY	RTD155		QAF065000-1020	
R230	264402	RES CF 1K OHM 1/6W 5%	FRONT PANEL ASY	RTD155		QAF065000-1020	
R231	264406	RES CF 22K OHM 1/6W 5%	FRONT PANEL ASY	RTD155		QAF065000-2230	

Symbol	Stock	Description	Circuit	Model	TypeCode	Drawing	Notes
R232	264271	CHIP RES. 1K OHM 1/16W 5%	FRONT PANEL ASY	RTD155		QCF165030-1020	
R233	264409	RES CF 10K OHM 1/6W 5%	FRONT PANEL ASY	RTD155		QAF065000-1030	
R234	264409	RES CF 10K OHM 1/6W 5%	FRONT PANEL ASY	RTD155		QAF065000-1030	
R235	264271	CHIP RES. 1K OHM 1/16W 5%	FRONT PANEL ASY	RTD155		QCF165030-1020	
R3	264268	CHIP RES. 0 OHM JUMP WIRE	MAIN BOARD ASY	RTD155		QCF165030-0000	
R401	264271	CHIP RES. 1K OHM 1/16W 5%	MAIN BOARD ASY	RTD155		QCF165030-1020	
R402	264273	CHIP RES. 4.7K OHM 1/16W 5 %	MAIN BOARD ASY	RTD155		QCF165030-4720	
R403	264271	CHIP RES. 1K OHM 1/16W 5%	MAIN BOARD ASY	RTD155		QCF165030-1020	
R404	264281	CHIP RES. 22K OHM 1/16W 5%	MAIN BOARD ASY	RTD155		QCF165030-2230	
R405	264271	CHIP RES. 1K OHM 1/16W 5%	MAIN BOARD ASY	RTD155		QCF165030-1020	
R406	264273	CHIP RES. 4.7K OHM 1/16W 5 %	MAIN BOARD ASY	RTD155		QCF165030-4720	
R407	264271	CHIP RES. 1K OHM 1/16W 5%	MAIN BOARD ASY	RTD155		QCF165030-1020	
R408	264281	CHIP RES. 22K OHM 1/16W 5%	MAIN BOARD ASY	RTD155		QCF165030-2230	
R409	264271	CHIP RES. 1K OHM 1/16W 5%	MAIN BOARD ASY	RTD155		QCF165030-1020	
R410	264273	CHIP RES. 4.7K OHM 1/16W 5 %	MAIN BOARD ASY	RTD155		QCF165030-4720	
R411	264271	CHIP RES. 1K OHM 1/16W 5%	MAIN BOARD ASY	RTD155		QCF165030-1020	
R412	264281	CHIP RES. 22K OHM 1/16W 5%	MAIN BOARD ASY	RTD155		QCF165030-2230	
R413	264271	CHIP RES. 1K OHM 1/16W 5%	MAIN BOARD ASY	RTD155		QCF165030-1020	
R414	264273	CHIP RES. 4.7K OHM 1/16W 5 %	MAIN BOARD ASY	RTD155		QCF165030-4720	
R415	264271	CHIP RES. 1K OHM 1/16W 5%	MAIN BOARD ASY	RTD155		QCF165030-1020	
R416	264281	CHIP RES. 22K OHM 1/16W 5%	MAIN BOARD ASY	RTD155		QCF165030-2230	
R417	264271	CHIP RES. 1K OHM 1/16W 5%	MAIN BOARD ASY	RTD155		QCF165030-1020	
R418	264273	CHIP RES. 4.7K OHM 1/16W 5 %	MAIN BOARD ASY	RTD155		QCF165030-4720	
R419	264271	CHIP RES. 1K OHM 1/16W 5%	MAIN BOARD ASY	RTD155		QCF165030-1020	
R420	264281	CHIP RES. 22K OHM 1/16W 5%	MAIN BOARD ASY	RTD155		QCF165030-2230	
R421	264271	CHIP RES. 1K OHM 1/16W 5%	MAIN BOARD ASY	RTD155		QCF165030-1020	
R422	264273	CHIP RES. 4.7K OHM 1/16W 5 %	MAIN BOARD ASY	RTD155		QCF165030-4720	
R423	264271	CHIP RES. 1K OHM 1/16W 5%	MAIN BOARD ASY	RTD155		QCF165030-1020	
R424	264274	CHIP RES. 5.6K OHM 1/16W 5%	MAIN BOARD ASY	RTD155		QCF165030-5620	
R425	264286	CHIP RES. 47K OHM 1/16W 5 %	MAIN BOARD ASY	RTD155		QCF165030-4730	
R426	264303	CHIP RES. 68K OHM 1/16W 5 %	MAIN BOARD ASY	RTD155		QCF165030-6830	
R427	264309	CHIP RES. 360K OHM 1/16W 5%	MAIN BOARD ASY	RTD155		QCF165030-3640	
R428	264309	CHIP RES. 360K OHM 1/16W 5%	MAIN BOARD ASY	RTD155		QCF165030-3640	
R429	264287	CHIP RES. 56K OHM 1/16W 5%	MAIN BOARD ASY	RTD155		QCF165030-5630	
R430	264283	CHIP RES. 33K OHM 1/16W 5%	MAIN BOARD ASY	RTD155		QCF165030-3330	
R431	264286	CHIP RES. 47K OHM 1/16W 5 %	MAIN BOARD ASY	RTD155		QCF165030-4730	
R432	264303	CHIP RES. 68K OHM 1/16W 5 %	MAIN BOARD ASY	RTD155		QCF165030-6830	
R433	264303	CHIP RES. 68K OHM 1/16W 5 %	MAIN BOARD ASY	RTD155		QCF165030-6830	
R434	264303	CHIP RES. 68K OHM 1/16W 5 %	MAIN BOARD ASY	RTD155		QCF165030-6830	
R435	264283	CHIP RES. 33K OHM 1/16W 5%	MAIN BOARD ASY	RTD155		QCF165030-3330	
R436	264273	CHIP RES. 4.7K OHM 1/16W 5 %	MAIN BOARD ASY	RTD155		QCF165030-4720	
R437	264273	CHIP RES. 4.7K OHM 1/16W 5 %	MAIN BOARD ASY	RTD155		QCF165030-4720	
R438	264271	CHIP RES. 1K OHM 1/16W 5%	MAIN BOARD ASY	RTD155		QCF165030-1020	
R439	264271	CHIP RES. 1K OHM 1/16W 5%	MAIN BOARD ASY	RTD155		QCF165030-1020	
R440	264277	CHIP RES. 10K OHM 1/16W 5%	MAIN BOARD ASY	RTD155		QCF165030-1030	
R441	264288	CHIP RES. 6.2K OHM 1/16W 5%	MAIN BOARD ASY	RTD155		QCF165030-6220	
R442	264288	CHIP RES. 6.2K OHM 1/16W 5%	MAIN BOARD ASY	RTD155		QCF165030-6220	
R443	264276	CHIP RES. 8.2K OHM 1/16W 5 %	MAIN BOARD ASY	RTD155		QCF165030-8220	
R444	264276	CHIP RES. 8.2K OHM 1/16W 5 %	MAIN BOARD ASY	RTD155		QCF165030-8220	
R445	264271	CHIP RES. 1K OHM 1/16W 5%	MAIN BOARD ASY	RTD155		QCF165030-1020	
R446	264271	CHIP RES. 1K OHM 1/16W 5%	MAIN BOARD ASY	RTD155		QCF165030-1020	
R447	264286	CHIP RES. 47K OHM 1/16W 5 %	MAIN BOARD ASY	RTD155		QCF165030-4730	
R448	264286	CHIP RES. 47K OHM 1/16W 5 %	MAIN BOARD ASY	RTD155		QCF165030-4730	
R449	264275	CHIP RES. 6.8K OHM 1/16W 5%	MAIN BOARD ASY	RTD155		QCF165030-6820	
R450	264275	CHIP RES. 6.8K OHM 1/16W 5%	MAIN BOARD ASY	RTD155		QCF165030-6820	
R451	264275	CHIP RES. 6.8K OHM 1/16W 5%	MAIN BOARD ASY	RTD155		QCF165030-6820	
R452	264275	CHIP RES. 6.8K OHM 1/16W 5%	MAIN BOARD ASY	RTD155		QCF165030-6820	
R453	264275	CHIP RES. 6.8K OHM 1/16W 5%	MAIN BOARD ASY	RTD155		QCF165030-6820	
R454	264275	CHIP RES. 6.8K OHM 1/16W 5%	MAIN BOARD ASY	RTD155		QCF165030-6820	
R457	264275	CHIP RES. 6.8K OHM 1/16W 5%	MAIN BOARD ASY	RTD155		QCF165030-6820	
R458	264275	CHIP RES. 6.8K OHM 1/16W 5%	MAIN BOARD ASY	RTD155		QCF165030-6820	
R459	264291	CHIP RES. 100K OHM 1/16W 5%	MAIN BOARD ASY	RTD155		QCF165030-1040	
R460	264291	CHIP RES. 100K OHM 1/16W 5%	MAIN BOARD ASY	RTD155		QCF165030-1040	
R461	264393	CHIP RES. 12K OHM 1/16W 5%	MAIN BOARD ASY	RTD155		QCF165030-1230	
R462	264279	CHIP RES. 15K OHM 1/16W 5%	MAIN BOARD ASY	RTD155		QCF165030-1530	
R463	264393	CHIP RES. 12K OHM 1/16W 5%	MAIN BOARD ASY	RTD155		QCF165030-1230	
R464	264279	CHIP RES. 15K OHM 1/16W 5%	MAIN BOARD ASY	RTD155		QCF165030-1530	
R467	264273	CHIP RES. 4.7K OHM 1/16W 5 %	MAIN BOARD ASY	RTD155		QCF165030-4720	
R470	264273	CHIP RES. 4.7K OHM 1/16W 5 %	MAIN BOARD ASY	RTD155		QCF165030-4720	
R471	264305	CHIP RES. 150 OHM 1/16W 5%	MAIN BOARD ASY	RTD155		QCF165030-1510	
R472	264289	CHIP RES. 75 OHM 1/16W 5%	MAIN BOARD ASY	RTD155		QCF165030-7500	
R474	264277	CHIP RES. 10K OHM 1/16W 5%	MAIN BOARD ASY	RTD155		QCF165030-1030	
R491	264303	CHIP RES. 68K OHM 1/16W 5 %	MAIN BOARD ASY	RTD155		QCF165030-6830	
R492	264303	CHIP RES. 68K OHM 1/16W 5 %	MAIN BOARD ASY	RTD155		QCF165030-6830	
R494	264266	RES CF 150 OHM 1/6W 5%	MAIN BOARD ASY	RTD155		QAF065000-1510	
R495	264410	RES CF 470 OHM 1/6W 5%	MAIN BOARD ASY	RTD155		QAF065000-4710	
R500	264277	CHIP RES. 10K OHM 1/16W 5%	MAIN BOARD ASY	RTD155		QCF165030-1030	
R501	264277	CHIP RES. 10K OHM 1/16W 5%	MAIN BOARD ASY	RTD155		QCF165030-1030	
R502	264277	CHIP RES. 10K OHM 1/16W 5%	MAIN BOARD ASY	RTD155		QCF165030-1030	
R503	264277	CHIP RES. 10K OHM 1/16W 5%	MAIN BOARD ASY	RTD155		QCF165030-1030	

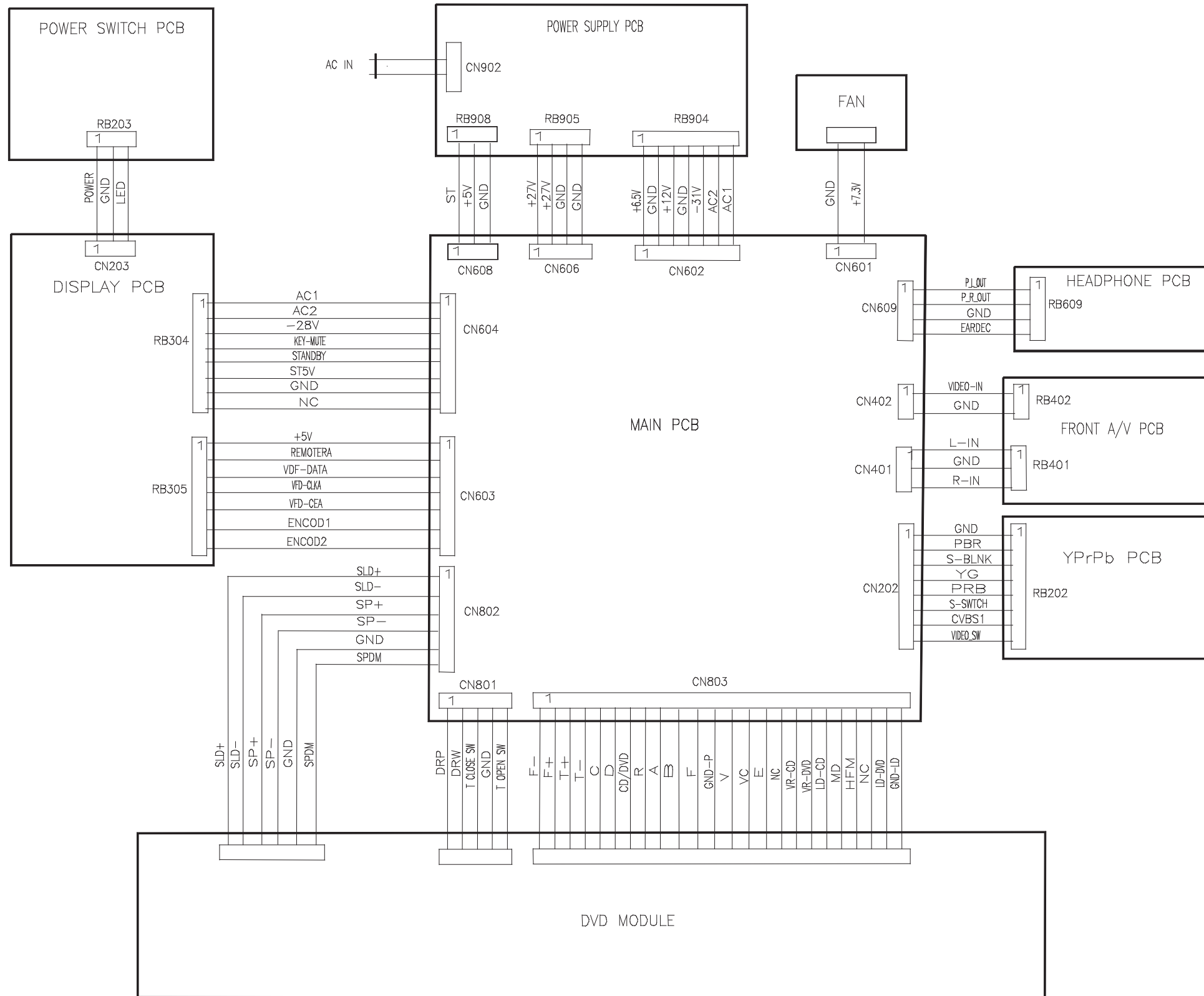
Symbol	Stock	Description	Circuit	Model	TypeCode	Drawing	Notes
R504	264277	CHIP RES. 10K OHM 1/16W 5%	MAIN BOARD ASY	RTD155		QCF165030-1030	
R505	264313	CHIP RES. 20 OHM 1/4W 5%	MAIN BOARD ASY	RTD155		QCF045010-2000	
R506	264313	CHIP RES. 20 OHM 1/4W 5%	MAIN BOARD ASY	RTD155		QCF045010-2000	
R507	264313	CHIP RES. 20 OHM 1/4W 5%	MAIN BOARD ASY	RTD155		QCF045010-2000	
R508	264313	CHIP RES. 20 OHM 1/4W 5%	MAIN BOARD ASY	RTD155		QCF045010-2000	
R509	264313	CHIP RES. 20 OHM 1/4W 5%	MAIN BOARD ASY	RTD155		QCF045010-2000	
R510	264313	CHIP RES. 20 OHM 1/4W 5%	MAIN BOARD ASY	RTD155		QCF045010-2000	
R511	264312	CHIP RES. 6.2 OHM 1/4W 5%	MAIN BOARD ASY	RTD155		QCF045010-6290	
R512	264312	CHIP RES. 6.2 OHM 1/4W 5%	MAIN BOARD ASY	RTD155		QCF045010-6290	
R513	264312	CHIP RES. 6.2 OHM 1/4W 5%	MAIN BOARD ASY	RTD155		QCF045010-6290	
R514	264312	CHIP RES. 6.2 OHM 1/4W 5%	MAIN BOARD ASY	RTD155		QCF045010-6290	
R515	264312	CHIP RES. 6.2 OHM 1/4W 5%	MAIN BOARD ASY	RTD155		QCF045010-6290	
R516	264312	CHIP RES. 6.2 OHM 1/4W 5%	MAIN BOARD ASY	RTD155		QCF045010-6290	
R517	264312	CHIP RES. 6.2 OHM 1/4W 5%	MAIN BOARD ASY	RTD155		QCF045010-6290	
R518	264312	CHIP RES. 6.2 OHM 1/4W 5%	MAIN BOARD ASY	RTD155		QCF045010-6290	
R519	264312	CHIP RES. 6.2 OHM 1/4W 5%	MAIN BOARD ASY	RTD155		QCF045010-6290	
R520	264312	CHIP RES. 6.2 OHM 1/4W 5%	MAIN BOARD ASY	RTD155		QCF045010-6290	
R521	264312	CHIP RES. 6.2 OHM 1/4W 5%	MAIN BOARD ASY	RTD155		QCF045010-6290	
R522	264312	CHIP RES. 6.2 OHM 1/4W 5%	MAIN BOARD ASY	RTD155		QCF045010-6290	
R524	264268	CHIP RES. 0 OHM JUMP WIRE	MAIN BOARD ASY	RTD155		QCF165030-0000	
R525	264268	CHIP RES. 0 OHM JUMP WIRE	MAIN BOARD ASY	RTD155		QCF165030-0000	
R526	264286	CHIP RES. 47K OHM 1/16W 5 %	MAIN BOARD ASY	RTD155		QCF165030-4730	
R527	264272	CHIP RES. 3.3K OHM 1/16W 5%	MAIN BOARD ASY	RTD155		QCF165030-3320	
R560	264271	CHIP RES. 1K OHM 1/16W 5%	MAIN BOARD ASY	RTD155		QCF165030-1020	
R561	264271	CHIP RES. 1K OHM 1/16W 5%	MAIN BOARD ASY	RTD155		QCF165030-1020	
R607	264267	RES CF 10 OHM 1/6W 5%	MAIN BOARD ASY	RTD155		QAF065000-1000	
R608	264433	RESISTOR 560 OHM 1W 5%	MAIN BOARD ASY	RTD155		QFN105000-5610	
R610	264279	CHIP RES. 15K OHM 1/16W 5%	MAIN BOARD ASY	RTD155		QCF165030-1530	
R611	264391	CHIP RES. 9.1K OHM 1/16W 5%	MAIN BOARD ASY	RTD155		QCF165030-9120	
R612	264279	CHIP RES. 15K OHM 1/16W 5%	MAIN BOARD ASY	RTD155		QCF165030-1530	
R613	264291	CHIP RES. 100K OHM 1/16W 5%	MAIN BOARD ASY	RTD155		QCF165030-1040	
R614	264268	CHIP RES. 0 OHM JUMP WIRE	MAIN BOARD ASY	RTD155		QCF165030-0000	
R615	264369	CHIP RES. 2.2K OHM 1/16W 5%	MAIN BOARD ASY	RTD155		LFM200821-0001	
R616	264291	CHIP RES. 100K OHM 1/16W 5%	MAIN BOARD ASY	RTD155		QCF165030-1040	
R617	N/S/P	WIRE BARE 22 GA TINNED	MAIN BOARD ASY	RTD155		XJP220000-0001	
R618	264409	RES CF 10K OHM 1/6W 5%	MAIN BOARD ASY	RTD155		QAF065000-1030	
R619	264403	RES CF 4.7K OHM 1/6W 5%	MAIN BOARD ASY	RTD155		QAF065000-4720	
R620	264273	CHIP RES. 4.7K OHM 1/16W 5 %	MAIN BOARD ASY	RTD155		QCF165030-4720	
R621	264271	CHIP RES. 1K OHM 1/16W 5%	MAIN BOARD ASY	RTD155		QCF165030-1020	
R622	264271	CHIP RES. 1K OHM 1/16W 5%	MAIN BOARD ASY	RTD155		QCF165030-1020	
R623	264291	CHIP RES. 100K OHM 1/16W 5%	MAIN BOARD ASY	RTD155		QCF165030-1040	
R624	264291	CHIP RES. 100K OHM 1/16W 5%	MAIN BOARD ASY	RTD155		QCF165030-1040	
R626	264273	CHIP RES. 4.7K OHM 1/16W 5 %	MAIN BOARD ASY	RTD155		QCF165030-4720	
R627	264291	CHIP RES. 100K OHM 1/16W 5%	MAIN BOARD ASY	RTD155		QCF165030-1040	
R628	264271	CHIP RES. 1K OHM 1/16W 5%	MAIN BOARD ASY	RTD155		QCF165030-1020	
R629	264314	CHIP RES. 4.7 OHM 1/4W 5%	MAIN BOARD ASY	RTD155		QCF045010-4790	
R630	264314	CHIP RES. 4.7 OHM 1/4W 5%	MAIN BOARD ASY	RTD155		QCF045010-4790	
R631	264297	CHIP RES. 2.2 OHM 1/16W 5%	MAIN BOARD ASY	RTD155		QCF165030-2290	
R632	264297	CHIP RES. 2.2 OHM 1/16W 5%	MAIN BOARD ASY	RTD155		QCF165030-2290	
R633	264284	CHIP RES. 33 OHM 1/16W 5%	MAIN BOARD ASY	RTD155		QCF165030-3300	
R634	264284	CHIP RES. 33 OHM 1/16W 5%	MAIN BOARD ASY	RTD155		QCF165030-3300	
R635	264284	CHIP RES. 33 OHM 1/16W 5%	MAIN BOARD ASY	RTD155		QCF165030-3300	
R636	264284	CHIP RES. 33 OHM 1/16W 5%	MAIN BOARD ASY	RTD155		QCF165030-3300	
R637	264304	CHIP RES. 120 OHM 1/16W 5%	MAIN BOARD ASY	RTD155		QCF165030-1210	
R638	264305	CHIP RES. 150 OHM 1/16W 5%	MAIN BOARD ASY	RTD155		QCF165030-1510	
R801	264273	CHIP RES. 4.7K OHM 1/16W 5 %	MAIN BOARD ASY	RTD155		QCF165030-4720	
R802	264273	CHIP RES. 4.7K OHM 1/16W 5 %	MAIN BOARD ASY	RTD155		QCF165030-4720	
R803	264273	CHIP RES. 4.7K OHM 1/16W 5 %	MAIN BOARD ASY	RTD155		QCF165030-4720	
R804	264268	CHIP RES. 0 OHM JUMP WIRE	MAIN BOARD ASY	RTD155		QCF165030-0000	
R805	264268	CHIP RES. 0 OHM JUMP WIRE	MAIN BOARD ASY	RTD155		QCF165030-0000	
R806	264281	CHIP RES. 22K OHM 1/16W 5%	MAIN BOARD ASY	RTD155		QCF165030-2230	
R807	264277	CHIP RES. 10K OHM 1/16W 5%	MAIN BOARD ASY	RTD155		QCF165030-1030	
R808	264282	CHIP RES. 27K OHM 1/16W 5%	MAIN BOARD ASY	RTD155		QCF165030-2730	
R809	264277	CHIP RES. 10K OHM 1/16W 5%	MAIN BOARD ASY	RTD155		QCF165030-1030	
R81	264274	CHIP RES. 5.6K OHM 1/16W 5%	MAIN BOARD ASY	RTD155		QCF165030-5620	
R810	264277	CHIP RES. 10K OHM 1/16W 5%	MAIN BOARD ASY	RTD155		QCF165030-1030	
R810	264290	CHIP RES. 100 OHM 1/16W 5%	MAIN BOARD ASY	RTD155		QCF165030-1010	
R8100	264268	CHIP RES. 0 OHM JUMP WIRE	MAIN BOARD ASY	RTD155		QCF165030-0000	
R8102	264268	CHIP RES. 0 OHM JUMP WIRE	MAIN BOARD ASY	RTD155		QCF165030-0000	
R8104	264268	CHIP RES. 0 OHM JUMP WIRE	MAIN BOARD ASY	RTD155		QCF165030-0000	
R8109	264308	CHIP RES. 330 OHM 1/16W 5%	MAIN BOARD ASY	RTD155		QCF165030-3310	
R811	264279	CHIP RES. 15K OHM 1/16W 5%	MAIN BOARD ASY	RTD155		QCF165030-1530	
R811	264271	CHIP RES. 1K OHM 1/16W 5%	MAIN BOARD ASY	RTD155		QCF165030-1020	
R8111	264268	CHIP RES. 0 OHM JUMP WIRE	MAIN BOARD ASY	RTD155		QCF165030-0000	
R8113	264290	CHIP RES. 100 OHM 1/16W 5%	MAIN BOARD ASY	RTD155		QCF165030-1010	
R8115	264277	CHIP RES. 10K OHM 1/16W 5%	MAIN BOARD ASY	RTD155		QCF165030-1030	
R8116	264275	CHIP RES. 6.8K OHM 1/16W 5%	MAIN BOARD ASY	RTD155		QCF165030-6820	
R8118	264271	CHIP RES. 1K OHM 1/16W 5%	MAIN BOARD ASY	RTD155		QCF165030-1020	
R8119	264271	CHIP RES. 1K OHM 1/16W 5%	MAIN BOARD ASY	RTD155		QCF165030-1020	
R812	264277	CHIP RES. 10K OHM 1/16W 5%	MAIN BOARD ASY	RTD155		QCF165030-1030	

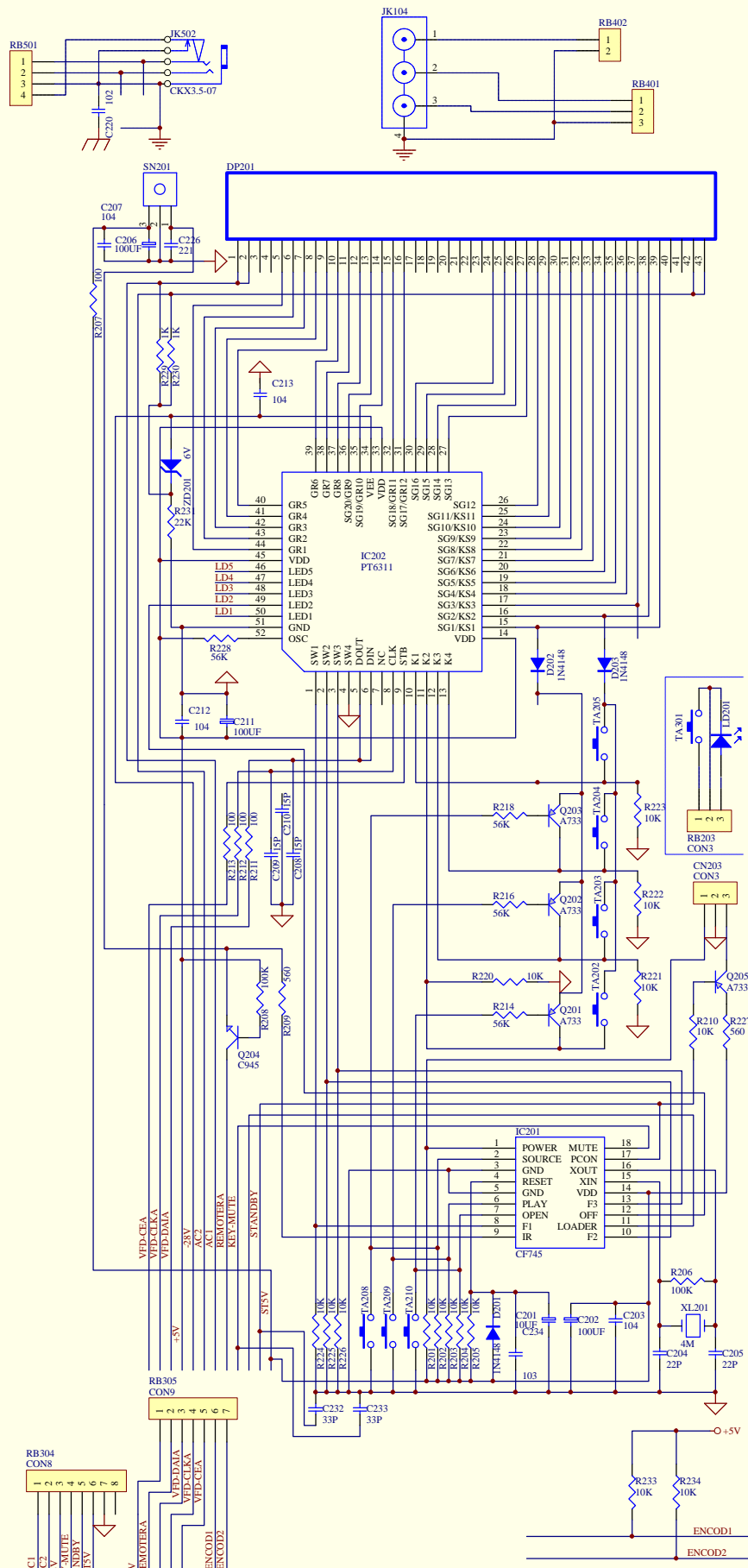
Symbol	Stock	Description	Circuit	Model	TypeCode	Drawing	Notes
R8120	264271	CHIP RES. 1K OHM 1/16W 5%	MAIN BOARD ASY	RTD155		QCF165030-1020	
R813	264299	CHIP RES. 3.6K OHM 1/16W 5%	MAIN BOARD ASY	RTD155		QCF165030-3620	
R814	264277	CHIP RES. 10K OHM 1/16W 5%	MAIN BOARD ASY	RTD155		QCF165030-1030	
R815	264281	CHIP RES. 22K OHM 1/16W 5%	MAIN BOARD ASY	RTD155		QCF165030-2230	
R816	264300	CHIP RES. 18 OHM 1/16W 5%	MAIN BOARD ASY	RTD155		QCF165030-1800	
R817	264268	CHIP RES. 0 OHM JUMP WIRE	MAIN BOARD ASY	RTD155		QCF165030-0000	
R818	264300	CHIP RES. 18 OHM 1/16W 5%	MAIN BOARD ASY	RTD155		QCF165030-1800	
R819	264268	CHIP RES. 0 OHM JUMP WIRE	MAIN BOARD ASY	RTD155		QCF165030-0000	
R82	264274	CHIP RES. 5.6K OHM 1/16W 5%	MAIN BOARD ASY	RTD155		QCF165030-5620	
R820	264273	CHIP RES. 4.7K OHM 1/16W 5 %	MAIN BOARD ASY	RTD155		QCF165030-4720	
R821	264277	CHIP RES. 10K OHM 1/16W 5%	MAIN BOARD ASY	RTD155		QCF165030-1030	
R822	264277	CHIP RES. 10K OHM 1/16W 5%	MAIN BOARD ASY	RTD155		QCF165030-1030	
R823	264277	CHIP RES. 10K OHM 1/16W 5%	MAIN BOARD ASY	RTD155		QCF165030-1030	
R824	264268	CHIP RES. 0 OHM JUMP WIRE	MAIN BOARD ASY	RTD155		QCF165030-0000	
R825	264272	CHIP RES. 3.3K OHM 1/16W 5%	MAIN BOARD ASY	RTD155		QCF165030-3320	
R826	264276	CHIP RES. 8.2K OHM 1/16W 5 %	MAIN BOARD ASY	RTD155		QCF165030-8220	
R827	264276	CHIP RES. 8.2K OHM 1/16W 5 %	MAIN BOARD ASY	RTD155		QCF165030-8220	
R828	264276	CHIP RES. 8.2K OHM 1/16W 5 %	MAIN BOARD ASY	RTD155		QCF165030-8220	
R829	264290	CHIP RES. 100 OHM 1/16W 5%	MAIN BOARD ASY	RTD155		QCF165030-1010	
R83	264273	CHIP RES. 4.7K OHM 1/16W 5 %	MAIN BOARD ASY	RTD155		QCF165030-4720	
R830	264290	CHIP RES. 100 OHM 1/16W 5%	MAIN BOARD ASY	RTD155		QCF165030-1010	
R831	264276	CHIP RES. 8.2K OHM 1/16W 5 %	MAIN BOARD ASY	RTD155		QCF165030-8220	
R832	264290	CHIP RES. 100 OHM 1/16W 5%	MAIN BOARD ASY	RTD155		QCF165030-1010	
R833	264268	CHIP RES. 0 OHM JUMP WIRE	MAIN BOARD ASY	RTD155		QCF165030-0000	
R834	264286	CHIP RES. 47K OHM 1/16W 5 %	MAIN BOARD ASY	RTD155		QCF165030-4730	
R835	264295	CHIP RES. 1.2M OHM 1/16W 5%	MAIN BOARD ASY	RTD155		QCF165030-1250	
R836	264286	CHIP RES. 47K OHM 1/16W 5 %	MAIN BOARD ASY	RTD155		QCF165030-4730	
R837	264298	CHIP RES. 2.2M OHM 1/16W 5%	MAIN BOARD ASY	RTD155		QCF165030-2250	
R838	264286	CHIP RES. 47K OHM 1/16W 5 %	MAIN BOARD ASY	RTD155		QCF165030-4730	
R839	264286	CHIP RES. 47K OHM 1/16W 5 %	MAIN BOARD ASY	RTD155		QCF165030-4730	
R84	264277	CHIP RES. 10K OHM 1/16W 5%	MAIN BOARD ASY	RTD155		QCF165030-1030	
R840	264311	CHIP RES. 820K OHM 1/16W 5%	MAIN BOARD ASY	RTD155		QCF165030-8240	
R841	264271	CHIP RES. 1K OHM 1/16W 5%	MAIN BOARD ASY	RTD155		QCF165030-1020	
R842	264285	CHIP RES. 39K OHM 1/16W 5%	MAIN BOARD ASY	RTD155		QCF165030-3930	
R843	264300	CHIP RES. 18 OHM 1/16W 5%	MAIN BOARD ASY	RTD155		QCF165030-1800	
R844	264300	CHIP RES. 18 OHM 1/16W 5%	MAIN BOARD ASY	RTD155		QCF165030-1800	
R845	264281	CHIP RES. 22K OHM 1/16W 5%	MAIN BOARD ASY	RTD155		QCF165030-2230	
R845	264281	CHIP RES. 22K OHM 1/16W 5%	MAIN BOARD ASY	RTD155		QCF165030-2230	
R846	264298	CHIP RES. 2.2M OHM 1/16W 5%	MAIN BOARD ASY	RTD155		QCF165030-2250	
R847	264281	CHIP RES. 22K OHM 1/16W 5%	MAIN BOARD ASY	RTD155		QCF165030-2230	
R848	264311	CHIP RES. 820K OHM 1/16W 5%	MAIN BOARD ASY	RTD155		QCF165030-8240	
R849	264295	CHIP RES. 1.2M OHM 1/16W 5%	MAIN BOARD ASY	RTD155		QCF165030-1250	
R85	264273	CHIP RES. 4.7K OHM 1/16W 5 %	MAIN BOARD ASY	RTD155		QCF165030-4720	
R850	264277	CHIP RES. 10K OHM 1/16W 5%	MAIN BOARD ASY	RTD155		QCF165030-1030	
R851	264277	CHIP RES. 10K OHM 1/16W 5%	MAIN BOARD ASY	RTD155		QCF165030-1030	
R852	264274	CHIP RES. 5.6K OHM 1/16W 5%	MAIN BOARD ASY	RTD155		QCF165030-5620	
R853	264283	CHIP RES. 33K OHM 1/16W 5%	MAIN BOARD ASY	RTD155		QCF165030-3330	
R854	264277	CHIP RES. 10K OHM 1/16W 5%	MAIN BOARD ASY	RTD155		QCF165030-1030	
R855	264275	CHIP RES. 6.8K OHM 1/16W 5%	MAIN BOARD ASY	RTD155		QCF165030-6820	
R856	264275	CHIP RES. 6.8K OHM 1/16W 5%	MAIN BOARD ASY	RTD155		QCF165030-6820	
R857	264277	CHIP RES. 10K OHM 1/16W 5%	MAIN BOARD ASY	RTD155		QCF165030-1030	
R858	264302	CHIP RES. 62K OHM 1/16W 5%	MAIN BOARD ASY	RTD155		QCF165030-6230	
R859	264275	CHIP RES. 6.8K OHM 1/16W 5%	MAIN BOARD ASY	RTD155		QCF165030-6820	
R86	264280	CHIP RES. 18K OHM 1/16W 5%	MAIN BOARD ASY	RTD155		QCF165030-1830	
R860	264275	CHIP RES. 6.8K OHM 1/16W 5%	MAIN BOARD ASY	RTD155		QCF165030-6820	
R861	264275	CHIP RES. 6.8K OHM 1/16W 5%	MAIN BOARD ASY	RTD155		QCF165030-6820	
R862	264283	CHIP RES. 33K OHM 1/16W 5%	MAIN BOARD ASY	RTD155		QCF165030-3330	
R863	264283	CHIP RES. 33K OHM 1/16W 5%	MAIN BOARD ASY	RTD155		QCF165030-3330	
R864	264301	CHIP RES. 36K 1/16W 5%	MAIN BOARD ASY	RTD155		QCF165030-3630	
R865	264276	CHIP RES. 8.2K OHM 1/16W 5 %	MAIN BOARD ASY	RTD155		QCF165030-8220	
R866	264281	CHIP RES. 22K OHM 1/16W 5%	MAIN BOARD ASY	RTD155		QCF165030-2230	
R868	264271	CHIP RES. 1K OHM 1/16W 5%	MAIN BOARD ASY	RTD155		QCF165030-1020	
R87	264268	CHIP RES. 0 OHM JUMP WIRE	MAIN BOARD ASY	RTD155		QCF165030-0000	
R870	264291	CHIP RES. 100K OHM 1/16W 5%	MAIN BOARD ASY	RTD155		QCF165030-1040	
R871	264273	CHIP RES. 4.7K OHM 1/16W 5 %	MAIN BOARD ASY	RTD155		QCF165030-4720	
R873	264278	CHIP RES. 10 OHM 1/16W 5%	MAIN BOARD ASY	RTD155		QCF165030-1000	
R874	264268	CHIP RES. 0 OHM JUMP WIRE	MAIN BOARD ASY	RTD155		QCF165030-0000	
R875	264310	CHIP RES. 680 OHM 1/16W 5%	MAIN BOARD ASY	RTD155		QCF165030-6810	
R876	264269	CHIP RES. 1.2K OHM 1/16W 5%	MAIN BOARD ASY	RTD155		QCF165030-1220	
R878	264281	CHIP RES. 22K OHM 1/16W 5%	MAIN BOARD ASY	RTD155		QCF165030-2230	
R879	264281	CHIP RES. 22K OHM 1/16W 5%	MAIN BOARD ASY	RTD155		QCF165030-2230	
R88	264268	CHIP RES. 0 OHM JUMP WIRE	MAIN BOARD ASY	RTD155		QCF165030-0000	
R880	264270	CHIP RES. 1.8K OHM 1/16W 5%	MAIN BOARD ASY	RTD155		QCF165030-1820	
R881	264269	CHIP RES. 1.2K OHM 1/16W 5%	MAIN BOARD ASY	RTD155		QCF165030-1220	
R882	264277	CHIP RES. 10K OHM 1/16W 5%	MAIN BOARD ASY	RTD155		QCF165030-1030	
R883	264275	CHIP RES. 6.8K OHM 1/16W 5%	MAIN BOARD ASY	RTD155		QCF165030-6820	
R884	264268	CHIP RES. 0 OHM JUMP WIRE	MAIN BOARD ASY	RTD155		QCF165030-0000	
R887	264277	CHIP RES. 10K OHM 1/16W 5%	MAIN BOARD ASY	RTD155		QCF165030-1030	
R888	264306	CHIP RES. 220 OHM 1/16W 5%	MAIN BOARD ASY	RTD155		QCF165030-2210	
R889	264274	CHIP RES. 5.6K OHM 1/16W 5%	MAIN BOARD ASY	RTD155		QCF165030-5620	

Symbol	Stock	Description	Circuit	Model	TypeCode	Drawing	Notes
R890	264296	CHIP RES. 1M OHM 1/16W 5%	MAIN BOARD ASY	RTD155		QCF165030-1050	
R891	264308	CHIP RES. 330 OHM 1/16W 5%	MAIN BOARD ASY	RTD155		QCF165030-3310	
R893	264277	CHIP RES. 10K OHM 1/16W 5%	MAIN BOARD ASY	RTD155		QCF165030-1030	
R894	264303	CHIP RES. 68K OHM 1/16W 5 %	MAIN BOARD ASY	RTD155		QCF165030-6830	
R895	264268	CHIP RES. 0 OHM JUMP WIRE	MAIN BOARD ASY	RTD155		QCF165030-0000	
R901	264474	RES CF 560K OHM 1/2W 5%	POWER BOARD ASY	RTD155		QAF025000-5640	
R902	264474	RES CF 560K OHM 1/2W 5%	POWER BOARD ASY	RTD155		QAF025000-5640	
R903	264473	RES CF 2M OHM 1/2W 5%	POWER BOARD ASY	RTD155		QAF025000-2050	
R904	264473	RES CF 2M OHM 1/2W 5%	POWER BOARD ASY	RTD155		QAF025000-2050	
R905	264511	RESISTOR 68K OHM 2W 5%	POWER BOARD ASY	RTD155		QGN205000-6830	
R906	264511	RESISTOR 68K OHM 2W 5%	POWER BOARD ASY	RTD155		QGN205000-6830	
R907	264484	RES CF 4.7 OHM 1/4W 5%	POWER BOARD ASY	RTD155		QAF045000-4790	
R908	264476	RES CF 6.8 OHM 1/6W 5%	POWER BOARD ASY	RTD155		QAF065000-6890	
R919	264409	RES CF 10K OHM 1/6W 5%	POWER BOARD ASY	RTD155		QAF065000-1030	
R920	264402	RES CF 1K OHM 1/6W 5%	POWER BOARD ASY	RTD155		QAF065000-1020	
R921	264402	RES CF 1K OHM 1/6W 5%	POWER BOARD ASY	RTD155		QAF065000-1020	
R922	264440	RES CF 56K OHM 1/6W 5%	POWER BOARD ASY	RTD155		QAF065000-5630	
R923	264479	RES CF 10K OHM 1/6W 1%	POWER BOARD ASY	RTD155		QAM061000-1002	
R924	264493	RES CF 2K OHM 1/6W 5%	POWER BOARD ASY	RTD155		QAF065000-2020	
R925	264478	RESISTOR 2.7K OHM 1/6W 1% MF	POWER BOARD ASY	RTD155		QAM061000-2701	
R926	264497	RESISTOR 22 OHM 1/2W FUSIBLE	POWER BOARD ASY	RTD155		QAS025101-2200	
R928	264498	RESISTOR 120 OHM 1/2W FUSIBLE	POWER BOARD ASY	RTD155		QAS025101-1210	
R930	264490	RES CF 100K OHM 1/2W 5%	POWER BOARD ASY	RTD155		QAF025000-1040	
R931	264477	RES CF 75 OHM 1/6W 5%	POWER BOARD ASY	RTD155		QAF065000-7500	
R932	264493	RES CF 2K OHM 1/6W 5%	POWER BOARD ASY	RTD155		QAF065000-2020	
R933	264489	RES CF 220 OHM 1/6W 5%	POWER BOARD ASY	RTD155		QAF065000-2210	
R934	264486	RES CF 47 OHM 1/6W 5%	POWER BOARD ASY	RTD155		QAF065000-4700	
R945	264479	RES CF 10K OHM 1/6W 1%	POWER BOARD ASY	RTD155		QAM061000-1002	
R952	264475	RES 1 OHM 1/2W 5% FUSIBLE	POWER BOARD ASY	RTD155	S	QAS025100-1090	
R953	264530	RESISTOR 4.7M OHM 1/2W 10%	POWER BOARD ASY	RTD155		QAS026200-4750	
RA101	264294	RES ARRAY 33 OHMX4 1/10W 5%	MAIN BOARD ASY	RTD155		QCP015081-3300	
RA102	264294	RES ARRAY 33 OHMX4 1/10W 5%	MAIN BOARD ASY	RTD155		QCP015081-3300	
RA104	264293	RES ARRAY 10 OHMX4 1/10W 5%	MAIN BOARD ASY	RTD155		QCP015081-1000	
RA105	264293	RES ARRAY 10 OHMX4 1/10W 5%	MAIN BOARD ASY	RTD155		QCP015081-1000	
RA106	264293	RES ARRAY 10 OHMX4 1/10W 5%	MAIN BOARD ASY	RTD155		QCP015081-1000	
RA117	264292	RES ARRAY 4X4.7K 1/10W 5%	MAIN BOARD ASY	RTD155		QCP015081-4720	
RA118	264292	RES ARRAY 4X4.7K 1/10W 5%	MAIN BOARD ASY	RTD155		QCP015081-4720	
RA801	264293	RES ARRAY 10 OHMX4 1/10W 5%	MAIN BOARD ASY	RTD155		QCP015081-1000	
RA802	264293	RES ARRAY 10 OHMX4 1/10W 5%	MAIN BOARD ASY	RTD155		QCP015081-1000	
RA803	264293	RES ARRAY 10 OHMX4 1/10W 5%	MAIN BOARD ASY	RTD155		QCP015081-1000	
RB202	264434	SHIELDER CABLE 8P	MAIN BOARD ASY	RTD155		VSW824451-0200	
RB304	264451	CABLE FLAT WIRE 8P 220MM BLK	FRONT PANEL ASY	RTD155		VFL811245-2200	
RB305	264452	CABLE 7P 140MM BLK	FRONT PANEL ASY	RTD155		VFL711245-1400	
RB401	264461	SHIELD CABLE 3P 360MM	FRONT PANEL ASY	RTD155		VSW324452-0360	
RB402	264462	CABLE 2P 450MM	FRONT PANEL ASY	RTD155		VSW224452-0450	
RB501	264456	CABLE 4P 100MM RAINBOW	FRONT PANEL ASY	RTD155		VFL401245-1000	
RB904	264522	FLAT CABLE 8P 70MM	POWER BOARD ASY	RTD155		VFL81131B-0700	
RB905	264523	CABLE 4P 80MM	POWER BOARD ASY	RTD155		VWA310009-0011	
RB906	264521	FLAT CABLE 3P 60MM BLK	POWER BOARD ASY	RTD155		VFL312245-0600	
RCA	N/S/P	RCA CABLE 1.6M WHT/RED(WIRE BL	INCLUDED ACCESSORIES	RTD155		VRC202002-Z040	
RCA	N/S/P	RCA CABLE 1600MM OD2.6MM BLK A	INCLUDED ACCESSORIES	RTD155		VRC101008-Z030	
REMOT	261386	REMOTE RCR311AAM1	INCLUDED ACCESSORIES	RTD155		WIR241001CL01	
RF901	264475	RES 1 OHM 1/2W 5% FUSIBLE	POWER BOARD ASY	RTD155	S	QAS025100-1090	
RL901	264528	RELAY 5VDC 40MA	POWER BOARD ASY	RTD155	S	MRL005001-0010	
RT901	264518	NTC 5 OHM 5A DIA=13 MM	POWER BOARD ASY	RTD155	S	RNT005130-5090	
SCREW	N/S/P	SCREW T2.0XL6XP0.63MM	FRONT PANEL ASY	RTD155		HSP140023-3060	
SCREW	N/S/P	SCREW T3.0XL8XP1.06MM,0.47G	MAIN BOARD ASY	RTD155		HSP140054-1080	
SLEEV	N/S/P	SLEEVING OD3XID2.5XL10MM	POWER BOARD ASY	RTD155		DSL001001-0100	
SN1	264517	OPT SENSOR SFH615A-3	POWER BOARD ASY	RTD155		RHO615003-3001	
SN201	264450	SENSOR 2.4V 56.7KHZ MIM	FRONT PANEL ASY	RTD155		RHO001356-2002	
SN901	264517	OPT SENSOR SFH615A-3	POWER BOARD ASY	RTD155	S	RHO615003-3001	
SPE001	N/S/P	SPEAKER MAIN	INCLUDED ACCESSORIES	RTD155		ESD203001-0602	
STAND	N/S/P	STANDBY PCB	FRONT PANEL ASY	RTD155		LVC200773-0501	
STAND	N/S/P	STANDBY PCB AI ASSY	FRONT PANEL ASY	RTD155		APE200773-1001	
T001	264255	OSC FM SUMIDA S-8N	MAIN BOARD ASY	RTD155		SIL013012-0010	
T002	264254	ANT OSC AM 4-6:10T 1-3:86T	MAIN BOARD ASY	RTD155		SIL013009-0011	
T003	264257	OSC COIL 108UH (796 KHZ)	MAIN BOARD ASY	RTD155		SIL013010-0012	
T004	264259	BIAS COIL 78 KHZ	MAIN BOARD ASY	RTD155		SIL016001-0010	
T005	264260	BIAS COIL 16 KHZ	MAIN BOARD ASY	RTD155		SIL016001-0020	
T006	264260	BIAS COIL 16 KHZ	MAIN BOARD ASY	RTD155		SIL016001-0020	
T007	264258	FM IFT 10.7MHZ Q=60 MIN	MAIN BOARD ASY	RTD155		SIF020001-0050	
T008	264256	AM IFT 455KHZ Q=130	MAIN BOARD ASY	RTD155		SIF010001-0040	
T901	264505	LINE FILTER ET24	POWER BOARD ASY	RTD155	S	JFT201001-0010	
T903	264533	PWR TRANS.EE42/42	POWER BOARD ASY	RTD155	S	TSC200002-0010	
T904	264532	PWR TRANS.EE16/14	POWER BOARD ASY	RTD155	S	TSC200001-0010	
TA202	264446	SW TACT SKHVBE3520 ALPS	FRONT PANEL ASY	RTD155		MAW060001-0010	
TA203	264446	SW TACT SKHVBE3520 ALPS	FRONT PANEL ASY	RTD155		MAW060001-0010	
TA204	264446	SW TACT SKHVBE3520 ALPS	FRONT PANEL ASY	RTD155		MAW060001-0010	
TA205	264446	SW TACT SKHVBE3520 ALPS	FRONT PANEL ASY	RTD155		MAW060001-0010	
TA208	264446	SW TACT SKHVBE3520 ALPS	FRONT PANEL ASY	RTD155		MAW060001-0010	

Symbol	Stock	Description	Circuit	Model	TypeCode	Drawing	Notes
TA209	264446	SW TACT SKHVBE3520 ALPS	FRONT PANEL ASY	RTD155		MAW060001-0010	
TA210	264446	SW TACT SKHVBE3520 ALPS	FRONT PANEL ASY	RTD155		MAW060001-0010	
TA301	264446	SW TACT SKHVBE3520 ALPS	FRONT PANEL ASY	RTD155		MAW060001-0010	
TC001	264250	CAP TRIM 3 - 10 PF NP0	MAIN BOARD ASY	RTD155		MVC001001-0010	
TC002	264251	CAP TRIM 4.2 - 20 PF N450	MAIN BOARD ASY	RTD155		MVC001002-0010	
VD001	264261	DIODE TUNG AM TOSHIBA 1SV149B	MAIN BOARD ASY	RTD155		RHV100149-0001	
VD002	264261	DIODE TUNG AM TOSHIBA 1SV149B	MAIN BOARD ASY	RTD155		RHV100149-0001	
VIDEO	N/S/P	VIDEO IN PCB	FRONT PANEL ASY	RTD155		LVC200774-0501	
VR201	264448	RES VAR ENCODER	FRONT PANEL ASY	RTD155		MSW005012-0050	
XL001	264249	CRYSTAL 4.5000 MHZ	MAIN BOARD ASY	RTD155		JQC013102-4550	
XL101	264238	CRYSTAL 27.0000MHZ +/-20PPM	MAIN BOARD ASY	RTD155		JQC022000-2760	
XL201	264449	CRYSTAL 4.5000MHZ	FRONT PANEL ASY	RTD155		JQC023102-4550	
XL801	264239	CRYSTAL 16.9344MHZ +/-20PPM	MAIN BOARD ASY	RTD155		JQC012000-1661	
ZD1	264492	DIODE ZENR 15.3V-15.9V 0.5W	POWER BOARD ASY	RTD155		RAZ005016-0010	
ZD101	264340	CHIP ZENER 7.5V 5% 0.5W	MAIN BOARD ASY	RTD155		RCZ005007-0021	
ZD102	264340	CHIP ZENER 7.5V 5% 0.5W	MAIN BOARD ASY	RTD155		RCZ005007-0021	
ZD103	264340	CHIP ZENER 7.5V 5% 0.5W	MAIN BOARD ASY	RTD155		RCZ005007-0021	
ZD104	264340	CHIP ZENER 7.5V 5% 0.5W	MAIN BOARD ASY	RTD155		RCZ005007-0021	
ZD105	264340	CHIP ZENER 7.5V 5% 0.5W	MAIN BOARD ASY	RTD155		RCZ005007-0021	
ZD106	264340	CHIP ZENER 7.5V 5% 0.5W	MAIN BOARD ASY	RTD155		RCZ005007-0021	
ZD107	264340	CHIP ZENER 7.5V 5% 0.5W	MAIN BOARD ASY	RTD155		RCZ005007-0021	
ZD108	264340	CHIP ZENER 7.5V 5% 0.5W	MAIN BOARD ASY	RTD155		RCZ005007-0021	
ZD2	264492	DIODE ZENR 15.3V-15.9V 0.5W	POWER BOARD ASY	RTD155		RAZ005016-0010	
ZD201	264341	CHIP ZENER 5.6V 5% 0.5W	FRONT PANEL ASY	RTD155		RCZ005006-0011	
ZD202	264445	CHIP ZENER 5.1V 5% 0.5W	FRONT PANEL ASY	RTD155		RCZ005005-0030	
ZD204	264341	CHIP ZENER 5.6V 5% 0.5W	FRONT PANEL ASY	RTD155		RCZ005006-0011	
ZD205	264341	CHIP ZENER 5.6V 5% 0.5W	FRONT PANEL ASY	RTD155		RCZ005006-0011	
ZD401	264341	CHIP ZENER 5.6V 5% 0.5W	MAIN BOARD ASY	RTD155		RCZ005006-0011	
ZD402	264341	CHIP ZENER 5.6V 5% 0.5W	MAIN BOARD ASY	RTD155		RCZ005006-0011	
ZD602	264399	DIODE ZENR 11.9-12.4V 0.5W	MAIN BOARD ASY	RTD155		RAZ005012-0010	
ZD605	264341	CHIP ZENER 5.6V 5% 0.5W	MAIN BOARD ASY	RTD155		RCZ005006-0011	
ZD901	264483	DIODE P6KE200A BREAKDOWN	POWER BOARD ASY	RTD155		RAD160200-0010	
ZD902	264495	DIODE ZENR 5.6-5.9V 0.5W	POWER BOARD ASY	RTD155		RAZ005006-0020	
ZD903	264491	DIODE ZENR 6.9-7.2V 0.5W	POWER BOARD ASY	RTD155		RAZ005007-0020	
ZD904	264487	DIODE ZENR 3.8-4.0V 0.5W	POWER BOARD ASY	RTD155		RAZ005004-0020	
ZD907	264494	DIODE ZENR 23.6-24.7V 0.5W	POWER BOARD ASY	RTD155		RAZ005024-0020	

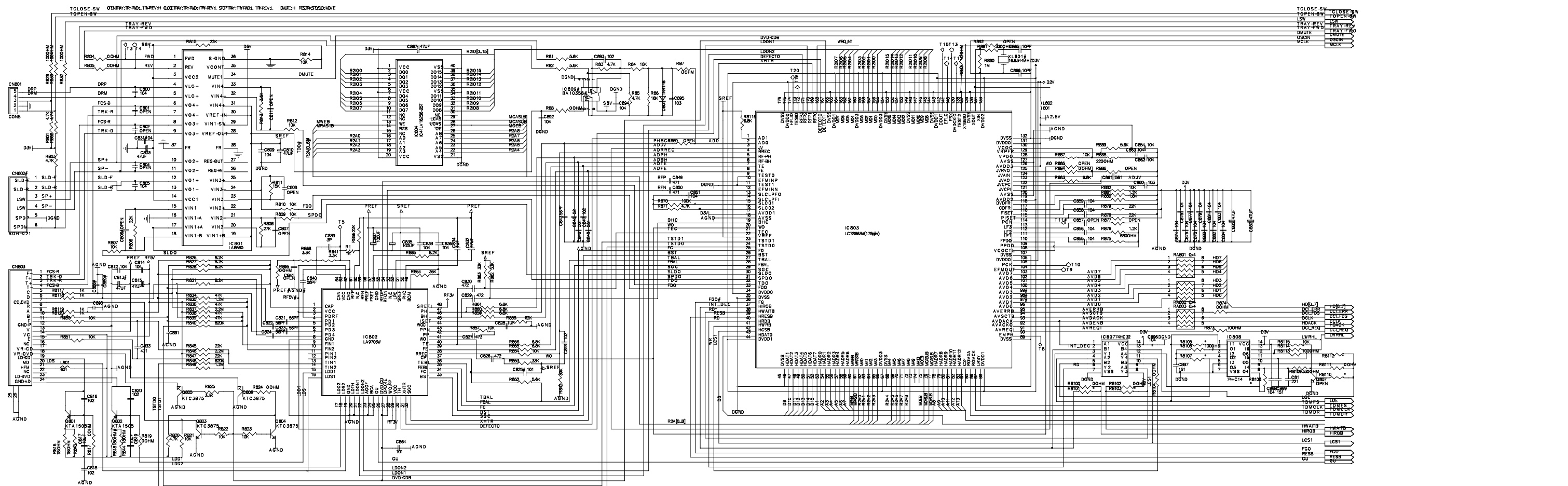
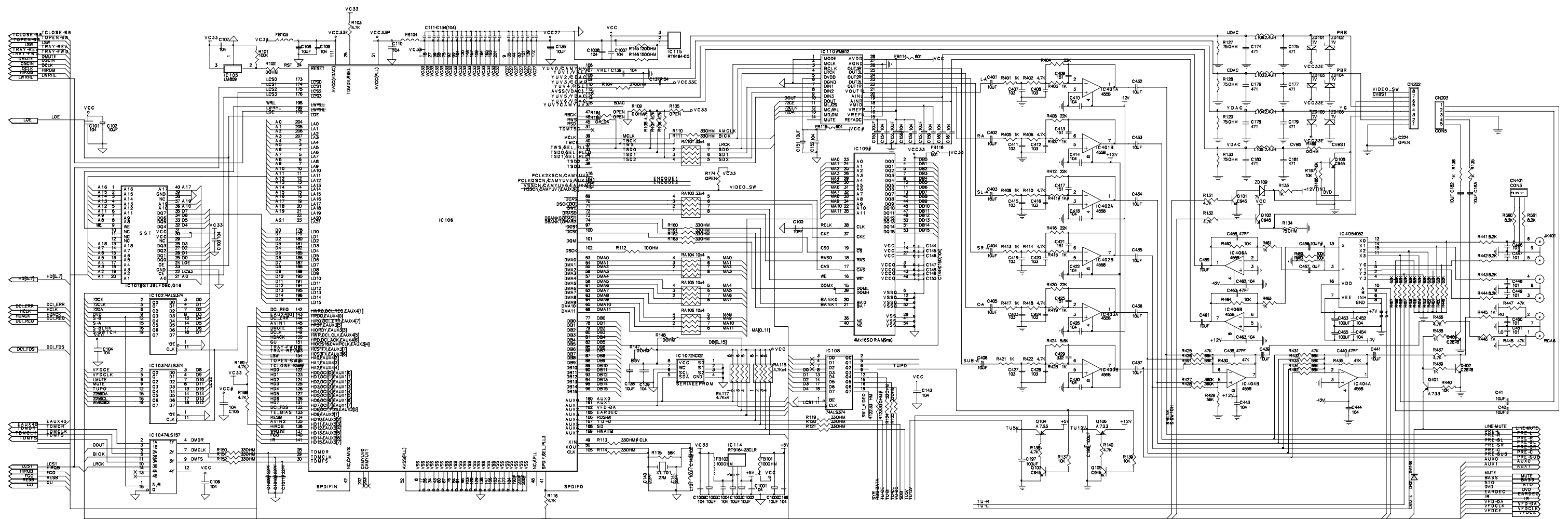
INTERCONNECT DIAGRAM



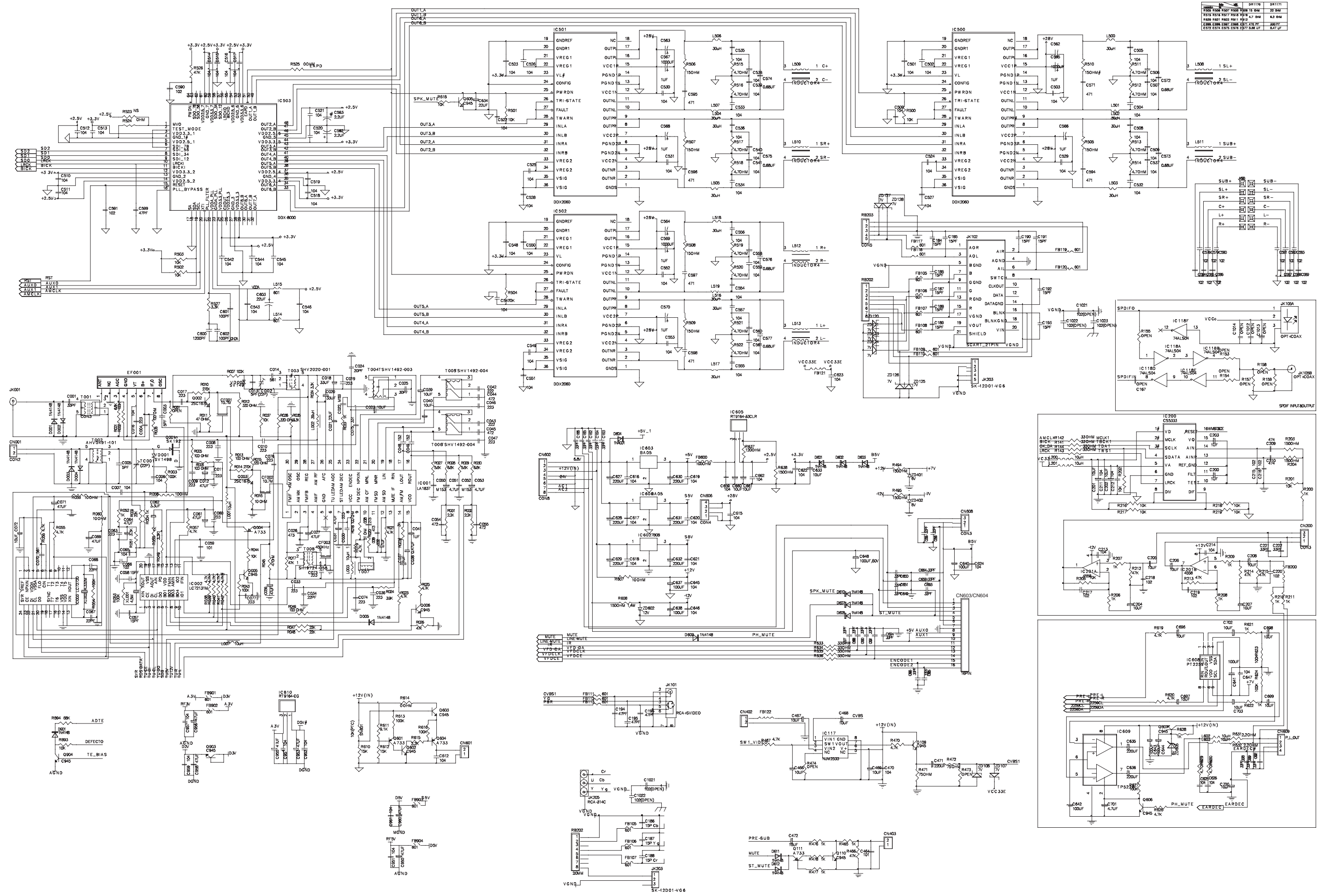


Title		
RTD155 Schematic Diagram		
Size	Number	Revision
A2	RTD155 Panel_Board	
Date:		

Main Schematic (1 of 2)

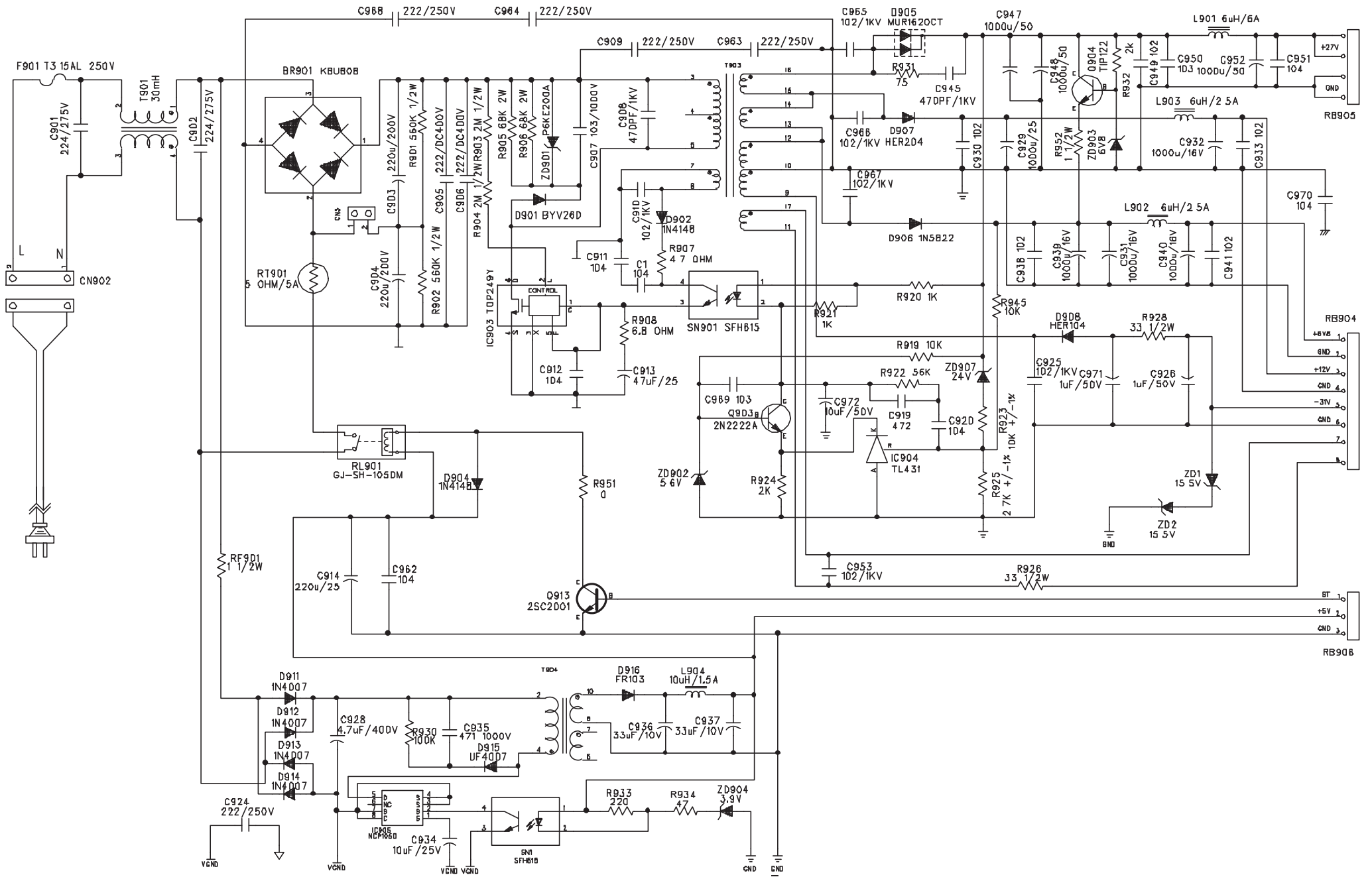


Main Schematic (2 of 2)



Part No.	Quantity	Notes
DDX-8000	1	DDX-8000
74VHC00	1	74VHC00
74VHC02	1	74VHC02
74VHC123	1	74VHC123
74VHC04	1	74VHC04
74VHC08	1	74VHC08
74VHC125	1	74VHC125
74VHC245	1	74VHC245

Power Supply Schematic



DISPLAY PCB VOLTAGE CHART

IC201		IC202						Q201	
PIN #	DC VOLTS	PIN #	DC VOLTS	PIN #	DC VOLTS	PIN #	DC VOLTS	PIN #	DC VOLTS
1	5.0	1	0.0	23	-27.3	45	5.0	E	2.2
2	5.0	2	0.0	24	-29.6	46	0.0	B	4.9
3	0.0	3	0.0	25	-27.2	47	0.0	C	0.0
4	5.0	4	0.0	26	-15.3	48	0.0	Q202	
5	0.0	5	5.0	27	-17.8	49	0.0	E	2.2
6	5.0	6	5.0	28	-17.8	50	0.0	B	4.9
7	5.0	7	0.0	29	-29.8	51	0.0	C	0.0
8	0.0	8	5.0	30	-25.1	52	2.9	Q203	
9	4.9	9	5.0	31	-28.1			E	2.2
10	0.0	10	0.0	32	-28.0			B	4.9
11	0.6	11	0.0	33	5.0			C	0.0
12	0.0	12	0.0	34	-30.2			Q204	
13	0.0	13	0.0	35	-28.0			E	4.9
14	5.0	14	5.0	36	-28.0			B	5.0
15	2.0	15	-24.6	37	-28.0			C	4.8
16	2.1	16	-29.6	38	-28.0			Q205	
17	4.6	17	-29.7	39	-28.0			E	5.0
18	0.0	18	-27.3	40	-28.0			B	4.5
		19	-22.5	41	0.0			C	0.77
		20	-17.7	42	-28.1				
		21	-22.1	43	-28.0				
		22	-22.5	44	-28.1				

MAIN PCB BOTTOM VOLTAGE CHART

IC001						IC105		Q002		
PIN #	DC VOLTS FM	DC VOLTS AM	PIN #	DC VOLTS FM	DC VOLTS AM	PIN #	DC VOLTS	PIN #	DC VOLTS FM	DC VOLTS AM
1	3.6	3.5	23	3.7	3.6	1	0.0	E	0.17	0.03
2	0.0	9.4	24	0.12	0.6	2	3.2	B	0.89	0.74
3	3.6	3.5	25	0.02	.58	3	3.2	C	8.9	8.8
4	3.5	3.5	26	3.6	3.6			Q003		
5	0.0	0.0	27	3.6	3.6			E	0.0	0.0
6	0.1	5.0	28	3.6	3.6			B	0.32	0.15
7	0.2	5.0	29	3.6	3.6			C	0.33	0.33
8	8.6	9.3	30	1.8	1.7					
9	8.7	9.3								
10	1.2	1.3								
11	4.3	0.0								
12	0.0	0.0								
13	0.04	0.04								
14	7.5	4.8								
15	7.5	4.4								
16	4.3	4.3								
17	0.0	4.3								
18	4.3	4.3								
19	4.3	4.3								
20	3.3	3.3								
21	3.3	3.3								
22	2.8	2.8								

MAIN PCB TOP VOLTAGE CHART

IC002			IC101				IC102				IC103				IC104										
PIN #	DC VOLTS FM	DC VOLTS AM	PIN #	DC VOLTS FM	DC VOLTS AM	PIN #	DC VOLTS	PIN #	DC VOLTS	PIN #	DC VOLTS	PIN #	DC VOLTS	PIN #	DC VOLTS	PIN #	DC VOLTS	PIN #	DC VOLTS	PIN #	DC VOLTS				
1	2.4	2.5	12	4.9	5.0	1	1.6	12	0.0	23	0.0	34	1.9	1	0.0	12	4.3	1	0.0	12	5.0	1	4.3	12	4.3
2	0.0	0.0	13	0.0	2.4	2	1.7	13	1.1	24	3.2	35	1.8	2	4.3	13	1.90	2	5.0	13	0.93	2	0.0	13	2.6
3	0.0	0.0	14	2.4	0.0	3	1.4	14	1.6	25	2.1	36	0.96	3	1.9	14	1.90	3	0.85	14	0.97	3	1.9	14	1.5
4	5.0	5.0	15	4.9	5.0	4	1.2	15	2.0	26	2.1	37	1.4	4	1.9	15	0.12	4	0.82	15	5.0	4	1.4	15	0.0
5	5.0	5.0	16	1.0	0.97	5	1.6	16	1.0	27	1.9	38	0.0	5	4.2	16	0.13	5	5.0	16	5.0	5	1.1	16	5.0
6	4.7	0.17	17	1.0	0.97	6	2.1	17	0.0	28	0.0	39	0.0	6	0.12	17	1.8	6	0.0	17	0.94	6	1.6		
7	0.04	4.2	18	2.7	4.4	7	1.5	18	1.3	29	0.0	40	1.1	7	1.9	18	1.8	7	0.69	18	0.93	7	1.8		
8	0.04	0.04	19	0.0	0.0	8	1.5	19	1.6	30	3.2			8	1.9	19	0.13	8	0.64	19	5.0	8	0.0		
9	0.04	4.2	20	2.4	2.4	9	3.2	20	0.01	31	3.2			9	4.3	20	5.0	9	0.0	20	5.0	9	2.0		
10	0.3	5.0				10	0.0	21	0.0	32	2.0			10	0.0			10	0.0			10	1.6		
11	0.0	0.0				11	0.0	22	3.2	33	1.9			11	3.2			11	3.2			11	1.6		

MAIN PCB TOP VOLTAGE CHART

IC 115		IC 117		IC 401		IC 402		IC 403		IC 404		IC 405		IC 406		IC 500		IC 501		IC 502	
PIN #	DC VOLTS	PIN #	DC VOLTS	PIN #	DC VOLTS	PIN #	DC VOLTS	PIN #	DC VOLTS	PIN #	DC VOLTS	PIN #	DC VOLTS	PIN #	DC VOLTS	PIN #	DC VOLTS	PIN #	DC VOLTS	PIN #	DC VOLTS
1	1.5	1	6.0	1	0.0	1	0.0	1	0.0	1	-0.02	1	0.0	1	0.0	1	0.0	1	0.0	1	0.0
2	2.8	2	0.01	2	0.0	2	0.0	2	0.0	2	0.0	2	0.0	2	-0.01	2	2.0	2	0.0	2	2.0
3	5.0	3	6.1	3	0.0	3	0.0	3	0.0	3	0.0	3	0.0	3	0.0	3	2.0	3	0.0	3	2.0
		4	0.0	4	-12.3	4	-12.3	4	-12.3	4	-12.3	4	0.0	4	-12.3	4	32.0	4	32.0	4	32.0
		5	6.1	5	0.0	5	0.0	5	0.0	5	0.0	5	0.0	5	0.0	5	0.0	5	0.0	5	0.0
		6	11.6	6	0.0	6	0.0	6	0.0	6	0.0	6	0.0	6	-0.02	6	0.0	6	0.0	6	0.0
		7	5.37	7	0.0	7	0.0	7	0.0	7	0.01	7	-5.7	7	0.0	7	32.0	7	32.0	7	32.0
		8	0.0	8	10.5	8	10.5	8	10.5	8	10.5	8	0.0	8	10.5	8	2.0	8	0.0	8	2.0
												9	4.3			9	2.0	9	0.0	9	2.0
												10	0.12			10	0.0	10	0.0	10	2.0
												11	0.0			11	0.0	11	0.0	11	2.0
												12	0.0			12	32.0	12	32.0	12	32.0
												13	0.0			13	0.0	13	0.0	13	0.0
												14	0.0			14	0.0	14	0.0	14	0.0
												15	0.0			15	32.0	15	32.0	15	32.0
												16	5.7			16	0.0	16	0.0	16	2.0
																17	0.0	17	0.0	17	2.0
																18	0.0	18	0.0	18	0.0
																19	0.0	19	0.0	19	0.0
																20	0.01	20	0.0	20	0.02
																21	4.8	21	4.9	21	4.9
																22	4.8	22	4.9	22	4.9
																23	3.1	23	3.1	23	3.1
																24	0.0	24	0.0	24	0.0
																25	3.1	25	3.1	25	3.1
																26	3.1	26	3.1	26	3.1
																27	3.1	27	3.1	27	3.1
																28	3.1	28	3.1	28	3.1
																29	0.0	29	0.0	29	0.2
																30	0.0	30	0.0	30	0.2
																31	0.2	31	0.0	31	0.2
																32	0.2	32	0.0	32	0.2
																33	26.7	33	26.7	33	26.7
																34	26.7	34	26.7	34	26.7
																35	31.9	35	31.9	35	31.9
																36	31.9	36	31.9	36	31.9

MAIN PCB TOP VOLTAGE CHART

IC 503				IC 602				IC 603				IC 604				IC 605				IC 608				IC 609				IC 801				IC 802			
PIN #	DC VOLTS	PIN #	DC VOLTS	PIN #	DC VOLTS	PIN #	DC VOLTS	PIN #	DC VOLTS	PIN #	DC VOLTS	PIN #	DC VOLTS	PIN #	DC VOLTS	PIN #	DC VOLTS	PIN #	DC VOLTS	PIN #	DC VOLTS	PIN #	DC VOLTS	PIN #	DC VOLTS	PIN #	DC VOLTS	PIN #	DC VOLTS	PIN #	DC VOLTS				
1	0.0	44	3.2	1	11.6	1	6.6	1	6.6	1	0.0	1	2.7	1	2.3	1	3.2	1	2.5	44	1.6														
2	0.0	45	0.0	2	0.0	2	0.0	2	0.0	2	2.7	2	2.7	2	4.9	2	3.2	2	4.9	45	1.1														
3	3.2	46	2.7	3	8.0	3	5.0	3	5.0	3	5.0	3	0.0	3	2.3	3	7.9	3	3.5	46	1.2														
4	0.0	47	0.0									4	5.0	4	0.0	4	0.01	4	3.5	47	2.4														
5	2.7	48	0.0									5	5.0	5	2.3	5	0.01	5	3.5	48	3.3														
6	0.0	49	0.0									6	5.7	6	2.3	6	3.6	6	3.5	49	1.1														
7	0.0	50	0.0									7	2.7	7	2.3	7	3.6	7	3.5	50	2.6														
8	0.0	51	3.2									8	2.7	8	5.0	8	3.4	8	0.0	51	1.6														
9	1.6	52	3.2													9	3.8	9	2.5	52	2.5														
10	1.6	53	0.0													10	3.8	10	2.4	53	0.52														
11	1.6	54	2.7													11	3.3	11	2.4	54	2.5														
12	3.2	55	1.5													12	3.6	12	2.4	55	2.5														
13	0.0	56	1.6													13	3.6	13	2.4	56	0.0														
14	2.7	57	0.0													14	7.9	14	2.4	57	0.57														
15	3.2	58	0.59													15	1.6	15	4.8	58	2.5														
16	0.0	59	3.2													16	0.0	16	0.18	59	2.5														
17	0.0	60	3.2													17	1.6	17	3.6	60	0.0														
18	4.3	61	2.7													18	1.6	18	0.18	61	2.7														
19	4.3	62	1.1													19	1.6	19	0.0	62	2.7														
20	1.4	63	0.0													20	1.8	20	0.0	63	4.9														
21	1.2	64	3.2													21	1.6	21	0.0	64	2.6														
22	2.7															22	1.6	22	3.3																
23	0.0															23	1.5	23	0.0																
24	3.2															24	1.6	24	0.0																
25	1.5															25	1.6	25	0.0																
26	2.7															26	0.88	26	0.0																
27	0.0															27	0.02	27	0.0																
28	3.2															28	1.6	28	3.3																
29	0.0															29	4.9	29	4.9																
30	0.0															30	1.6	30	0.0																
31	0.0															31	1.6	31	3.3																
32	0.0															32	1.6	32	1.0																
33	0.21															33	1.6	33	1.3																
34	0.21															34	3.2	34	0.97																
35	3.2															35	2.4	35	1.6																
36	0.0															36	0.0	36	1.6																
37	2.7																	37	1.6																
38	0.21																	38	2.2																
39	0.21																	39	1.6																
40	0.21																	40	1.6																
41	0.21																	41	1.7																
42	0.0																	42	1.6																
43	0.0																	43	1.7																

MAIN PCB TOP VOLTAGE CHART

Q001			Q006			Q103		Q106		Q402		Q602		Q605		Q801		Q804		Q903	
PIN #	DC VOLTS FM	DC VOLTS AM	PIN #	DC VOLTS FM	DC VOLTS AM	PIN #	DC VOLTS	PIN #	DC VOLTS	PIN #	DC VOLTS	PIN #	DC VOLTS	PIN #	DC VOLTS	PIN #	DC VOLTS	PIN #	DC VOLTS	PIN #	DC VOLTS
G	0.0	0.0	E	0.0	0.0	E	0.0	E	10.5	E	0.0	E	0.0	E	0.0	E	4.3	E	0.0	E	2.6
D	0.0	0.0	B	0.04	0.65	B	0.66	B	9.7	B	-0.27	B	0.59	B	0.1	B	3.6	B	0.0	B	3.3
S	9.5	9.6	C	7.7	0.01	C	0.01	C	10.3	C	0.0	C	0.17	C	3.2	C	1.8	C	0.64	C	3.3
Q004						Q104		Q109		Q403		Q603		Q606		Q802		Q805		Q903	
E	10.3	10.7				E	5.0	E	4.4	E	0.0	E	8.5	E	0.0	E	4.9	E	0.18	E	0.0
B	9.5	10.2				B	4.3	B	5.4	B	-0.27	B	9.1	B	0.15	B	4.8	B	0.0	B	0.0
C	10.2	0.33				C	5.0	C	11.7	C	0.0	C	11.7	C	4.9	C	0.04	C	0.0	C	0.0
Q005						Q105		Q401		Q601		Q604		Q607		Q803		Q806			
E	0.0	0.0				E	0.0	E	0.09	E	7.7	E	8.5	E	5.0	E	0.0	E	0.0		
B	0.62	0.17				B	0.67	B	0.0	B	7.2	B	7.7	B	5.6	B	0.0	B	0.65		
C	0.05	10.3				C	0.02	C	-0.27	C	0.6	C	8.5	C	11.7	C	4.6	C	0.0		

POWER SUPPLY PCB VOLTAGE CHART

IC903		IC904		IC905		Q903	
PIN #	DC VOLTS	PIN #	DC VOLTS	PIN #	DC VOLTS	PIN #	DC VOLTS
1	5.8	A	0.0	1	7.9	E	5.1
2	2.4	K	5.1	2	1.1	B	5.7
3	0.0	R	2.4	3	0.0	C	27.4
4	0.0			4	0.0		
5	5.8			5	155.2		
6	328.9			6	0.0		
				7	0.0		
				8	0.0		
Q904		Q913		SN1		SN901	
E	6.7	E	0.0	1	5.0	1	28.5
B	7.2	B	0.75	2	4.0	2	27.4
C	32.0	C	0.05	3	0.0	3	5.8
				4	1.1	4	36.7

CONNECTORS VOLTAGE CHART

CN203		CN401		CN402		CN601/ FAN		CN602/ RB904		CN603/ RB305		CN604/ RB304		CN606/ RB905		CN608/ RB908		CN609/ RB609		CN801/ DVD		CN802/ DVD		CN803/ DVD	
PIN #	DC VOLTS	PIN #	DC VOLTS	PIN #	DC VOLTS	PIN #	DC VOLTS	PIN #	DC VOLTS	PIN #	DC VOLTS	PIN #	DC VOLTS	PIN #	DC VOLTS	PIN #	DC VOLTS	PIN #	DC VOLTS	PIN #	DC VOLTS	PIN #	DC VOLTS	PIN #	DC VOLTS
1	5.0	1	0.0	1	3.3	1	0.0	1	6.5	1	5.0	1	-22.5	1	32.0	1	0.75	1	1.7	1	3.3	1	1.2	1	1.9
2	0.0	2	0.0	2	0.0	2	7.30	2	0.0	2	4.7	2	-22.5	2	32.0	2	5.0	2	2.1	2	0.0	2	1.2	2	1.9
3	0.86	3	0.0					3	11.6	3	5.0	3	-30.2	3	0.0	3	0.0	3	0.0	3	0.0	3	1.7	3	1.8
								4	0.0	4	5.0	4	0.0	4	0.0			4	0.0	4	0.0	4	1.7	4	1.8
								5	-29.8	5	5.0	5	0.75							5	0.0	5	0.0	5	2.5
								6	0.0	6	5.0	6	5.0							6	0.0	6	3.3	6	2.5
								7	-22.3	7	5.0	7	0.0											7	4.6
								8	-22.3			8	4.3											8	1.4
																								9	2.5
																								10	2.5
																								11	2.5
																								12	0.0
																								13	2.5
																								14	4.9
																								15	2.5
																								16	0.0
																								17	0.0
																								18	0.0
																								19	0.38
																								20	0.0
																								21	4.9
																								22	0.0
																								23	0.44
																								24	0.0