

1K5 trimmer for

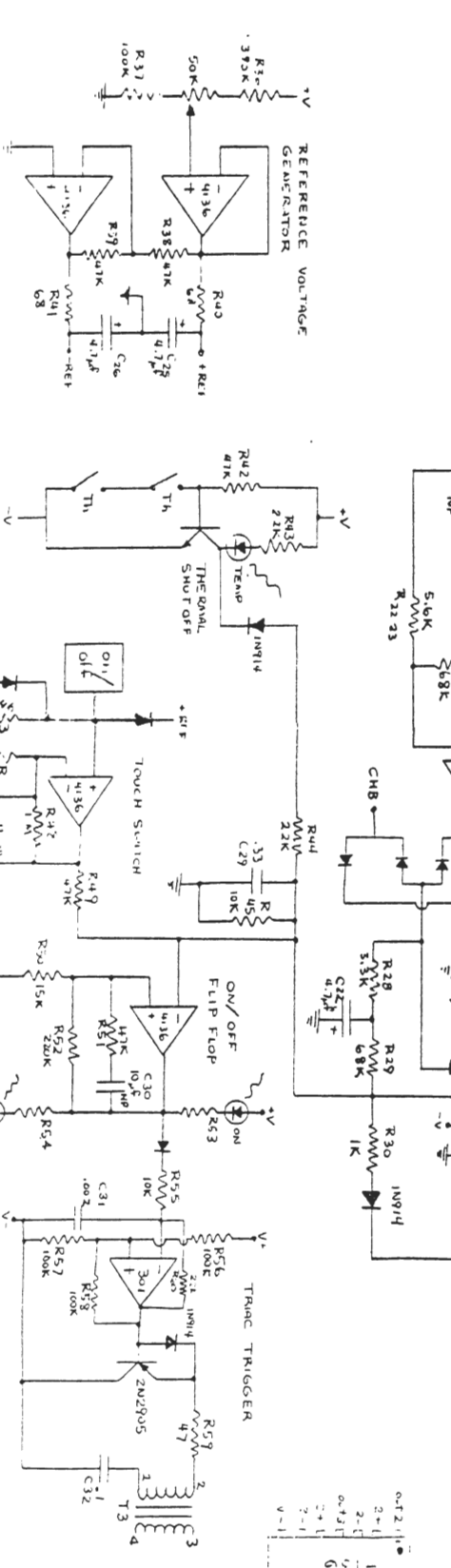
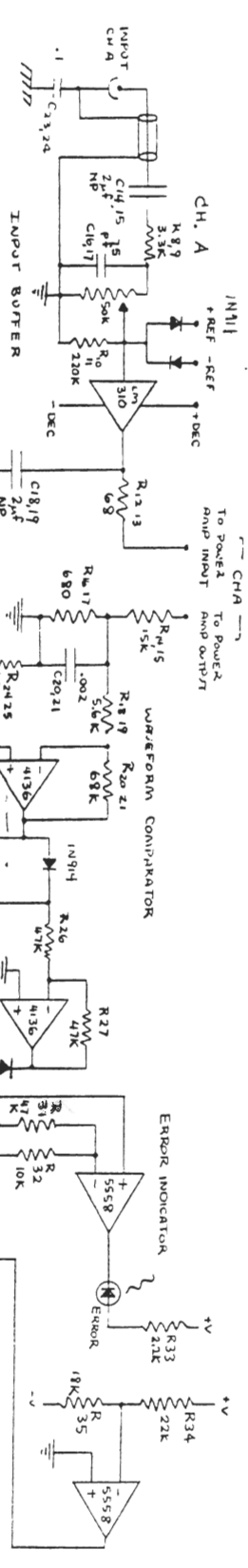
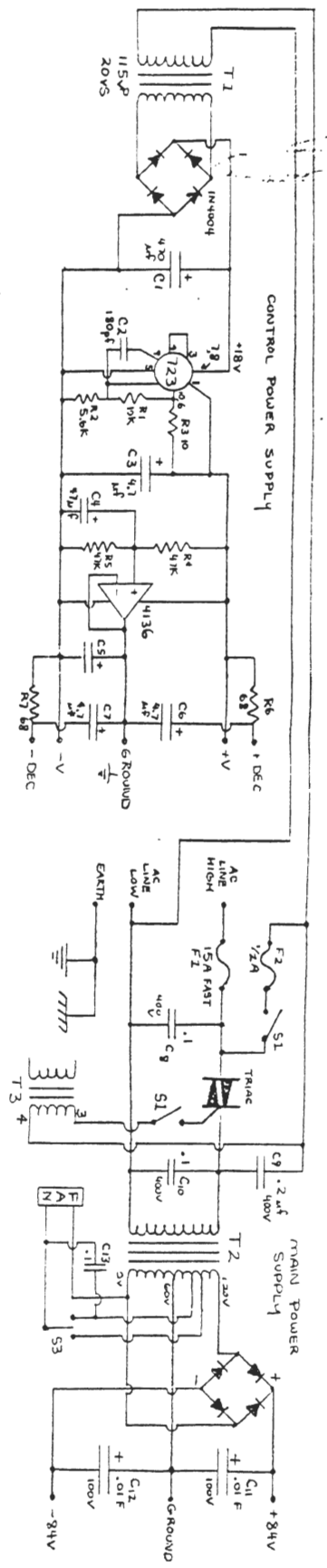
THRESHOLD MODELS — STASIS 2 AND 3
PCB NOS. OS1-0112A OR OS1-0112C

SUPPLY RAILS — OUTPUTS LOADED INTO 8 OHMS	
AT IDLE	200 (100) WCH
(±73)	(±66)
(±60)	(±56)

2N5876 are 2N5876 + couple

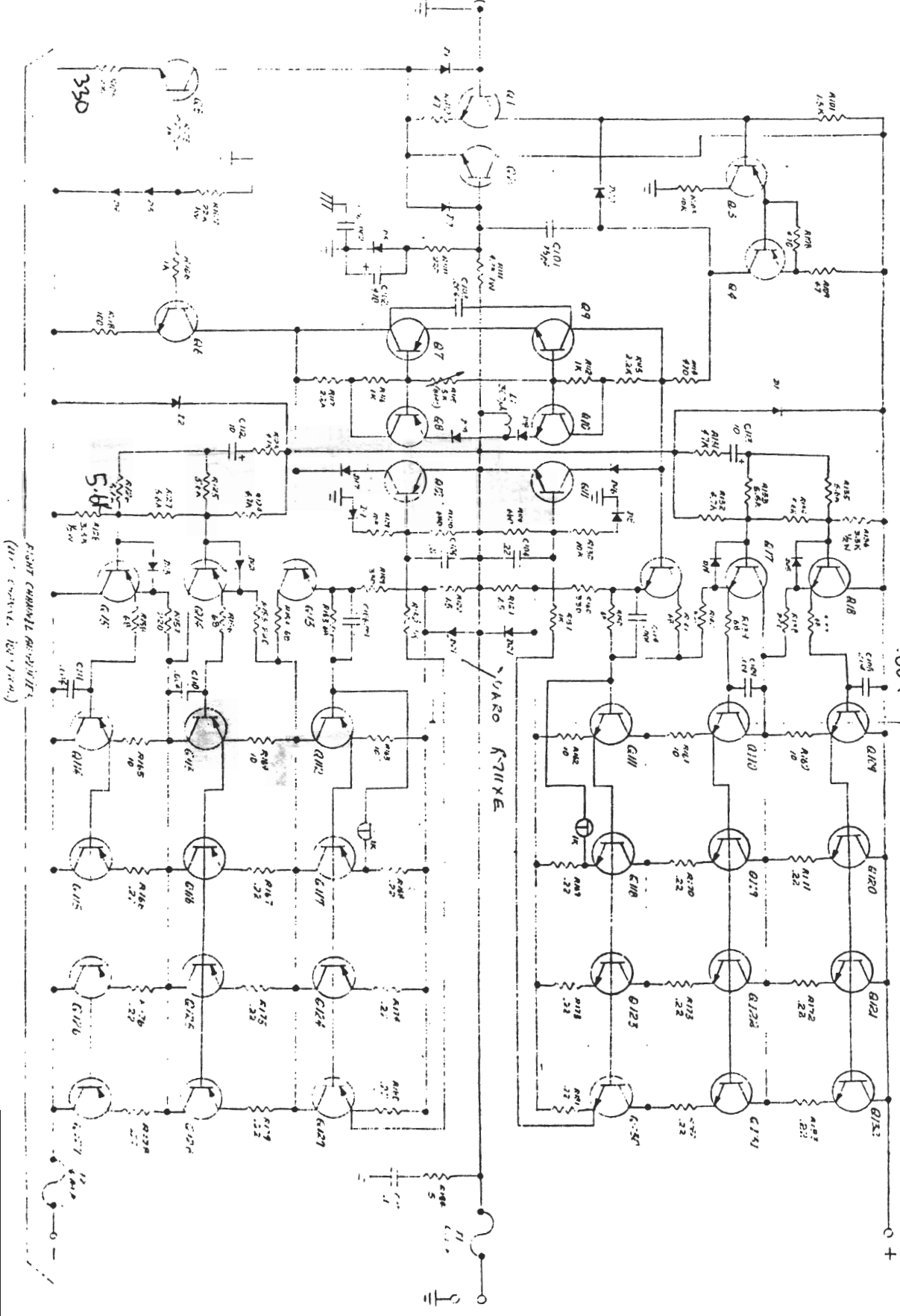
2WATT 200V 4w

VALUES SHOWN ARE FOR STASIS 2, EXCEPT DIFFERENCES AS NOTED BELOW THEM IN PARENTHESIS FOR THE STASIS 3



OUT 1	OUT 2
1	1
2	2
3	3
4	4
5	5
6	6
7	7
8	8
9	9
10	10
11	11
12	12
13	13
14	14
15	15
16	16
17	17
18	18
19	19
20	20
21	21
22	22
23	23
24	24
25	25

CONTROL CIRCUITRY
THRESHOLD 300A
JAN 1977



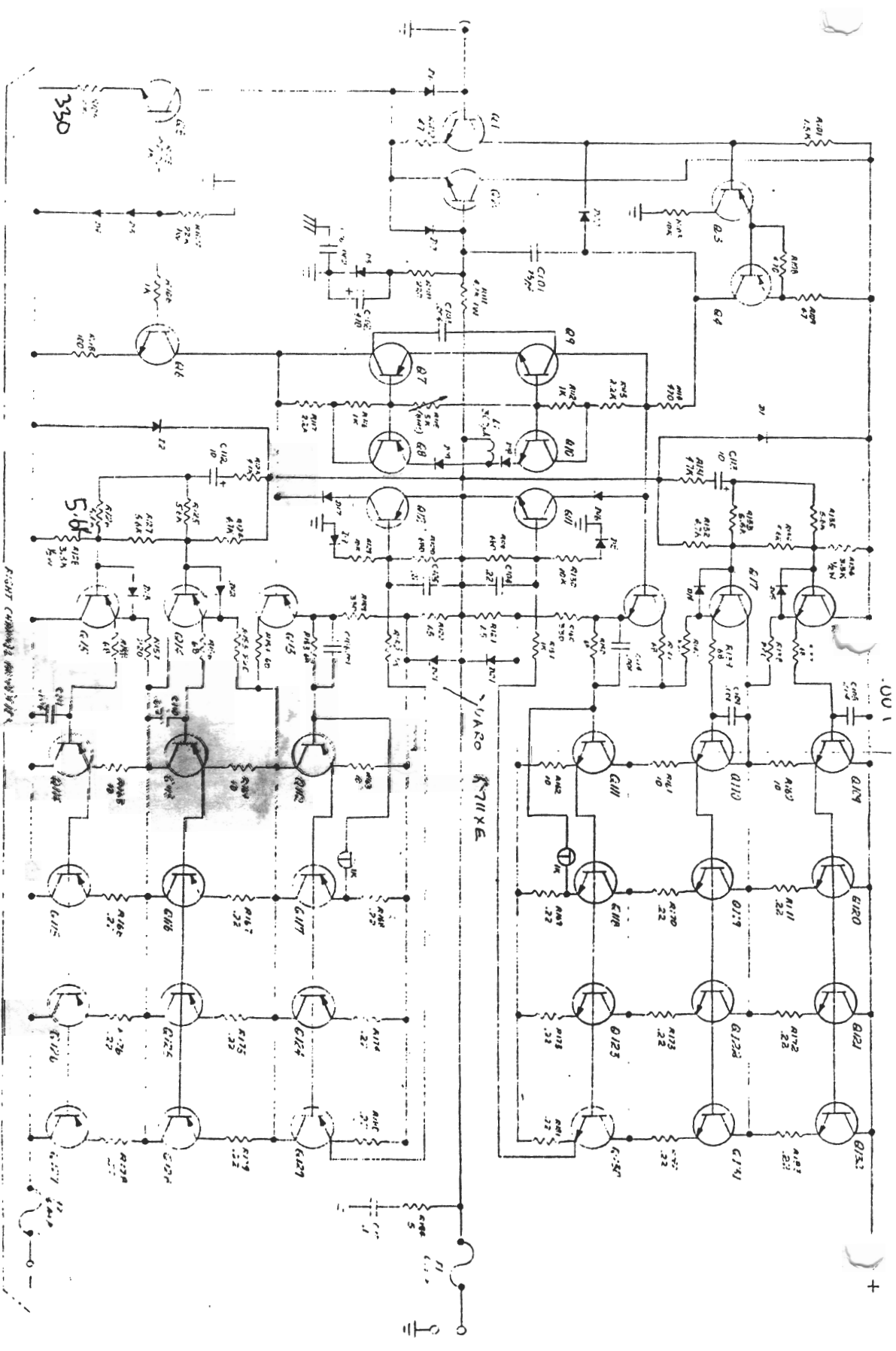


FIGURE 10-10 (107) (107) (107) (107) (107)

FIGURE 10-10