

1K5 trimmer for

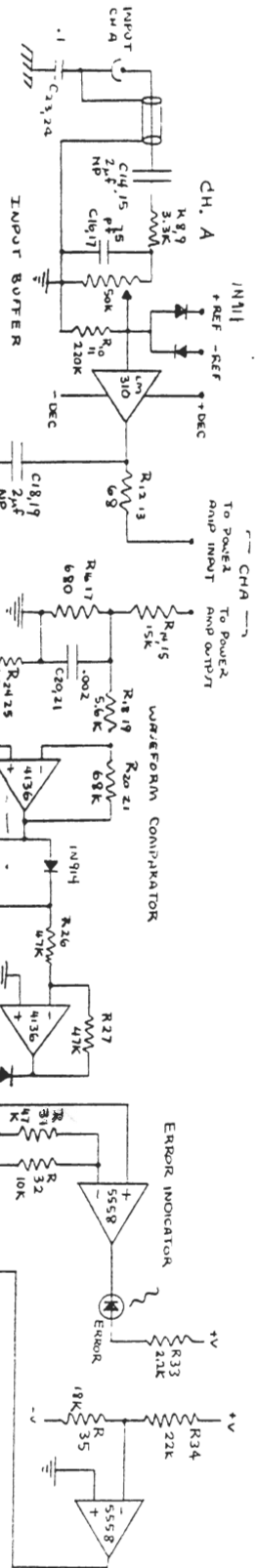
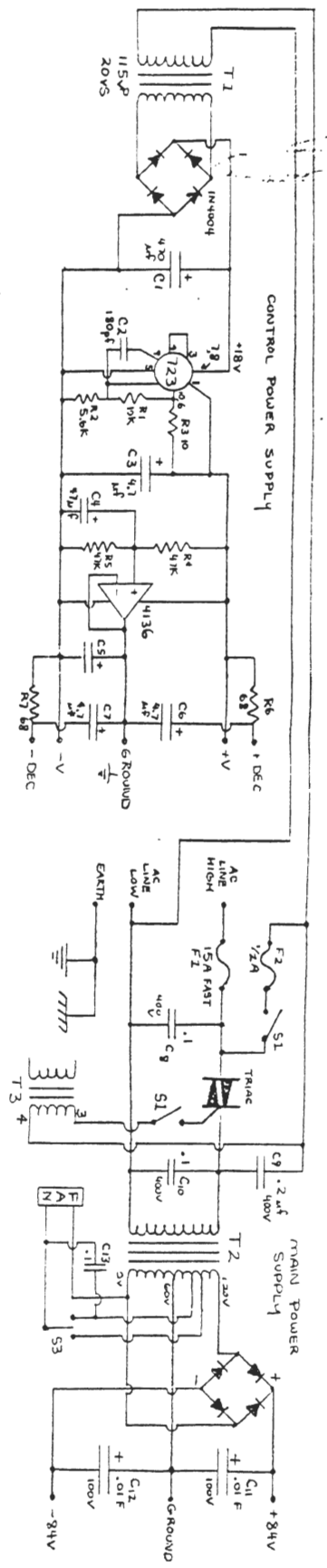
THRESHOLD MODELS — STASIS 2 AND 3
PCB NOS. OS1-0112A OR OS1-0112C

SUPPLY RAILS — OUTPUTS LOADED INTO 6 OHMS	
AT IDLE	200 (100) WCH
± 73	± 66
(± 60)	(± 56)

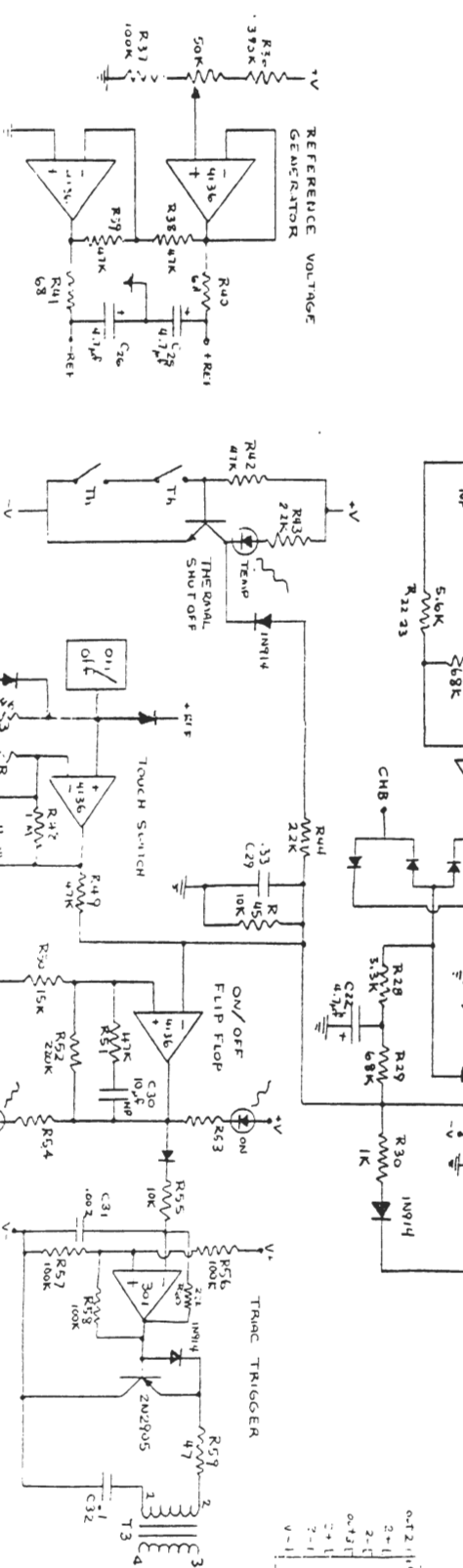
2N5876 are 2N5876 + couple

2WATT 200V 4w

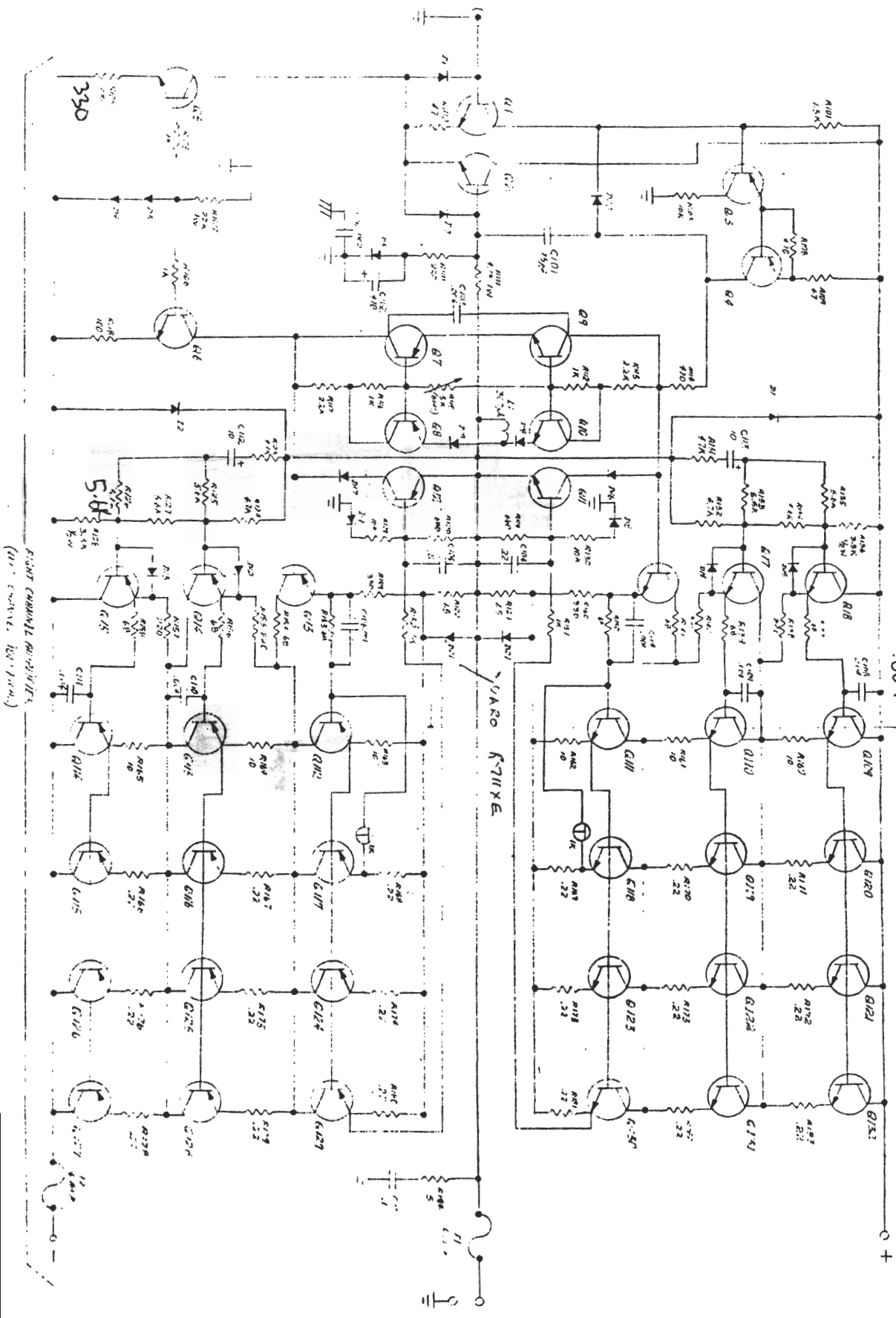
VALUES SHOWN ARE FOR STASIS 2. EXCEPT DIFFERENCES AS NOTED BELOW THEM IN PARENTHESIS FOR THE STASIS 3



0-F2/1	1	1-1	1-1
2-1	1	1-1	1-1
2-2	1	1-1	1-1
0-F3/1	1	1-1	1-1
2-1	1	1-1	1-1
2-2	1	1-1	1-1
0-F4	1	1-1	1-1
2-1	1	1-1	1-1
2-2	1	1-1	1-1



CONTROL CIRCUITRY
THRESHOLD X00A
JAN 1977



RIGHT CHANNEL RE-AMPLIFIER
(100% COMPLETE, 100% TESTED)

Threshold 800A

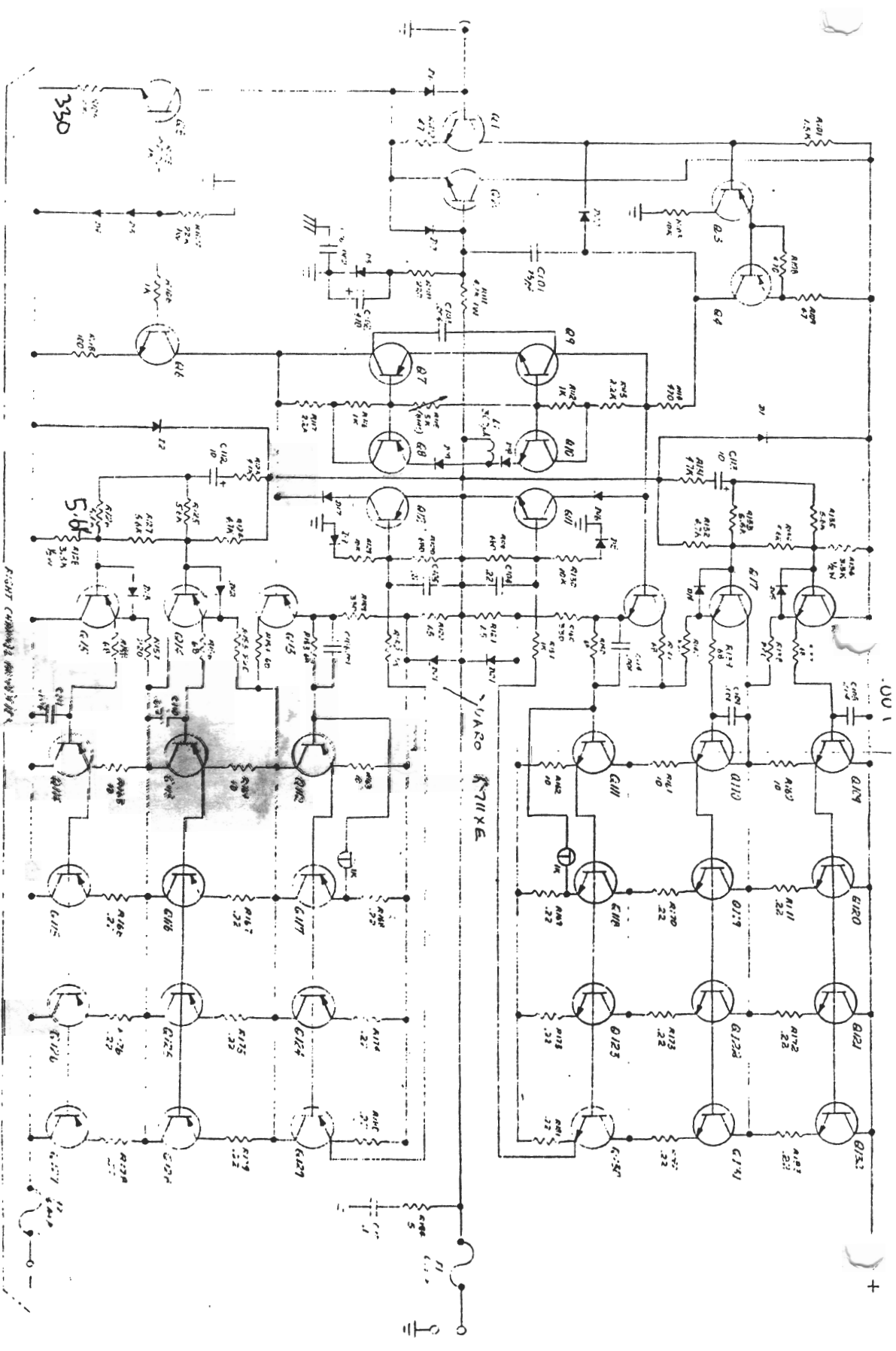


FIGURE 100-100 (100-100-100)

FIGURE 100-100-100