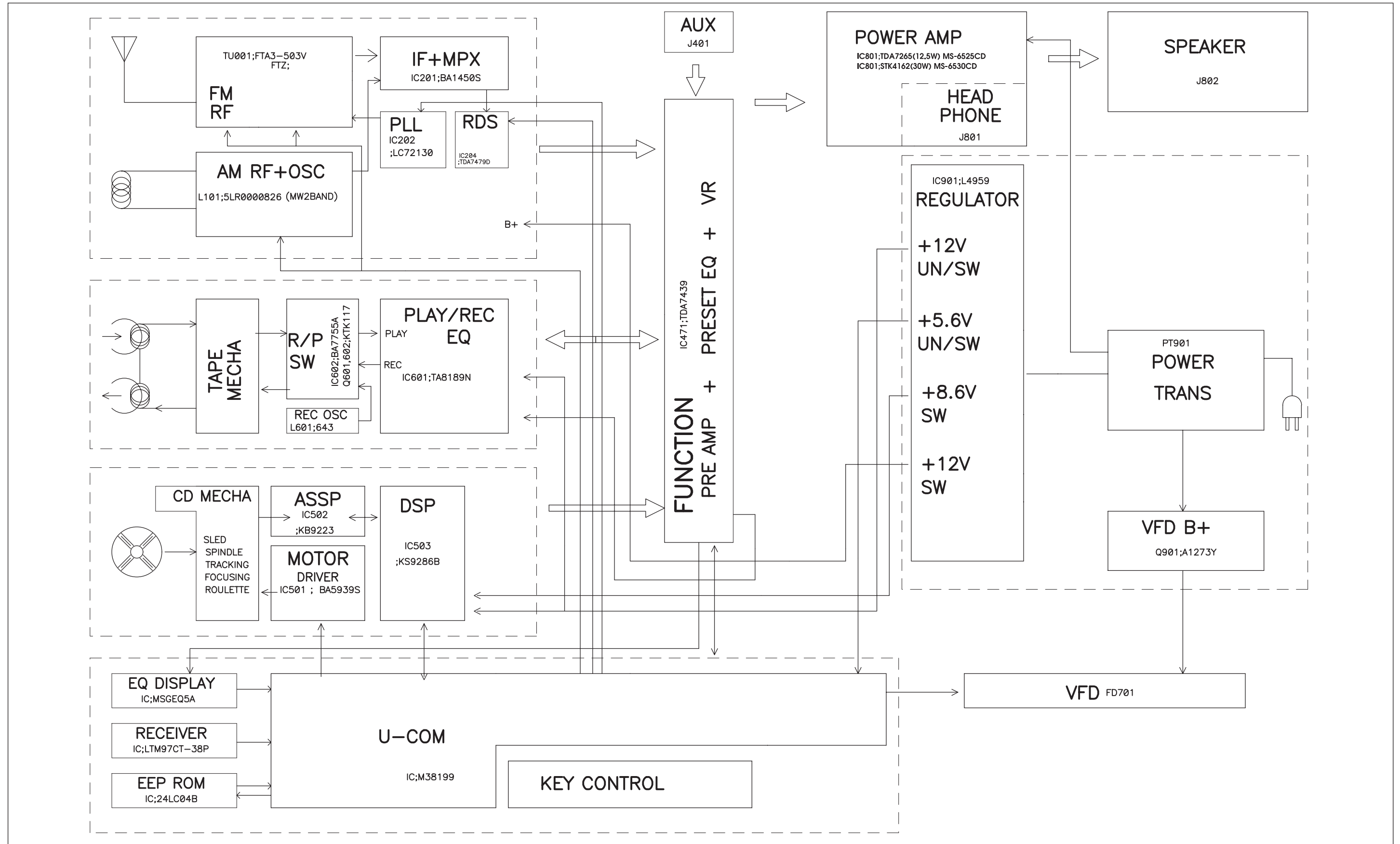


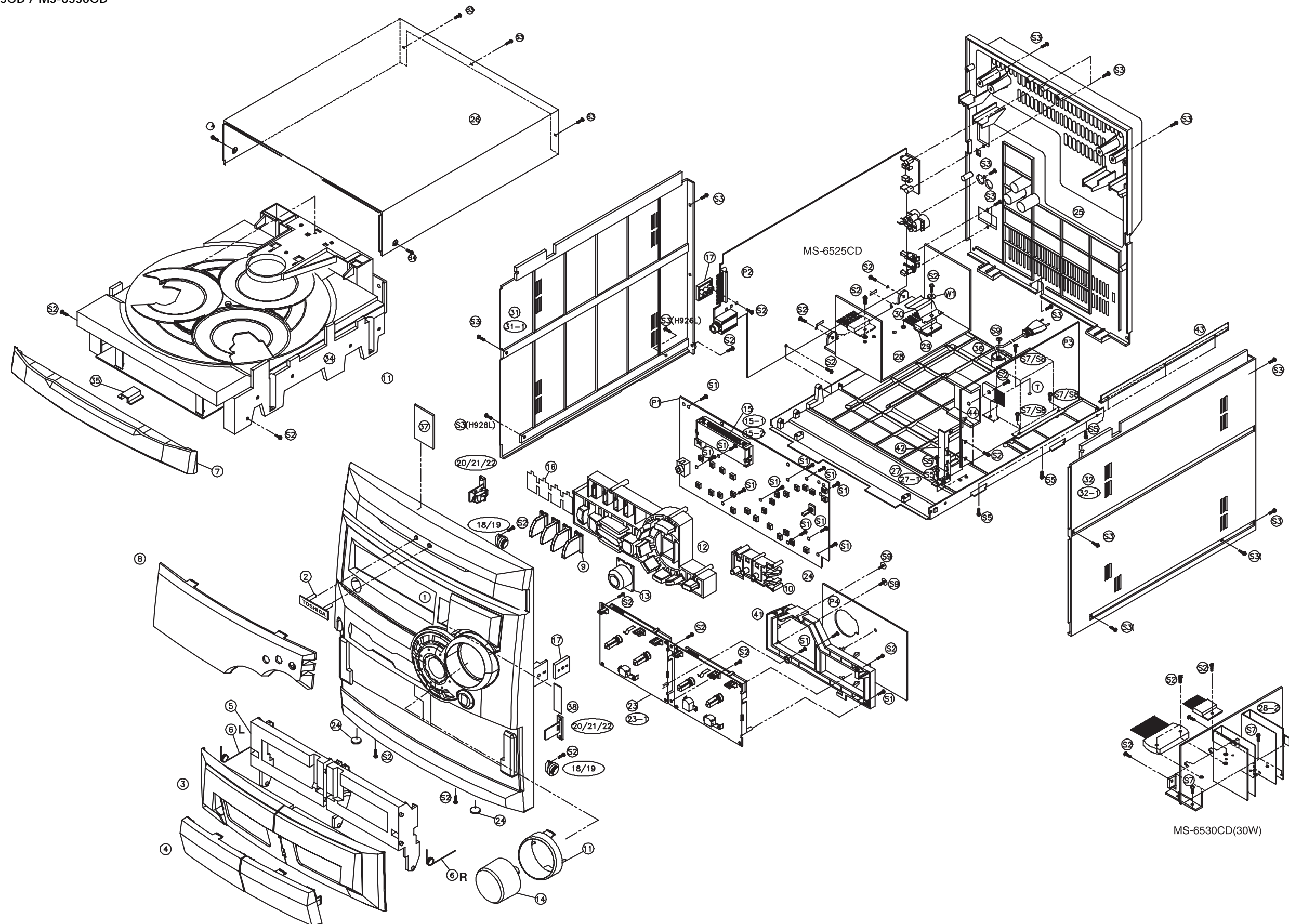
5- DIAGRAMA DE BLOCOS

MS-6525CD / MS-6530CD



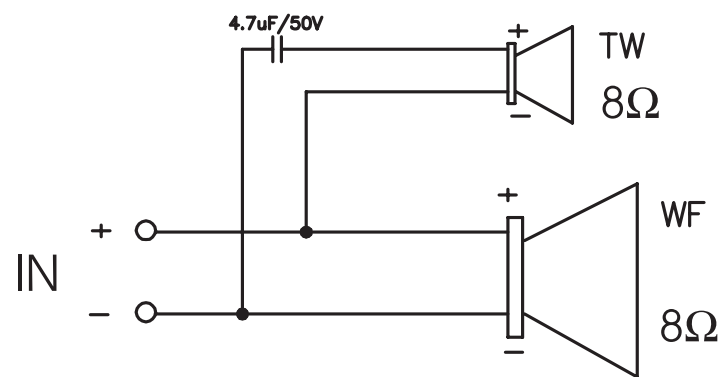
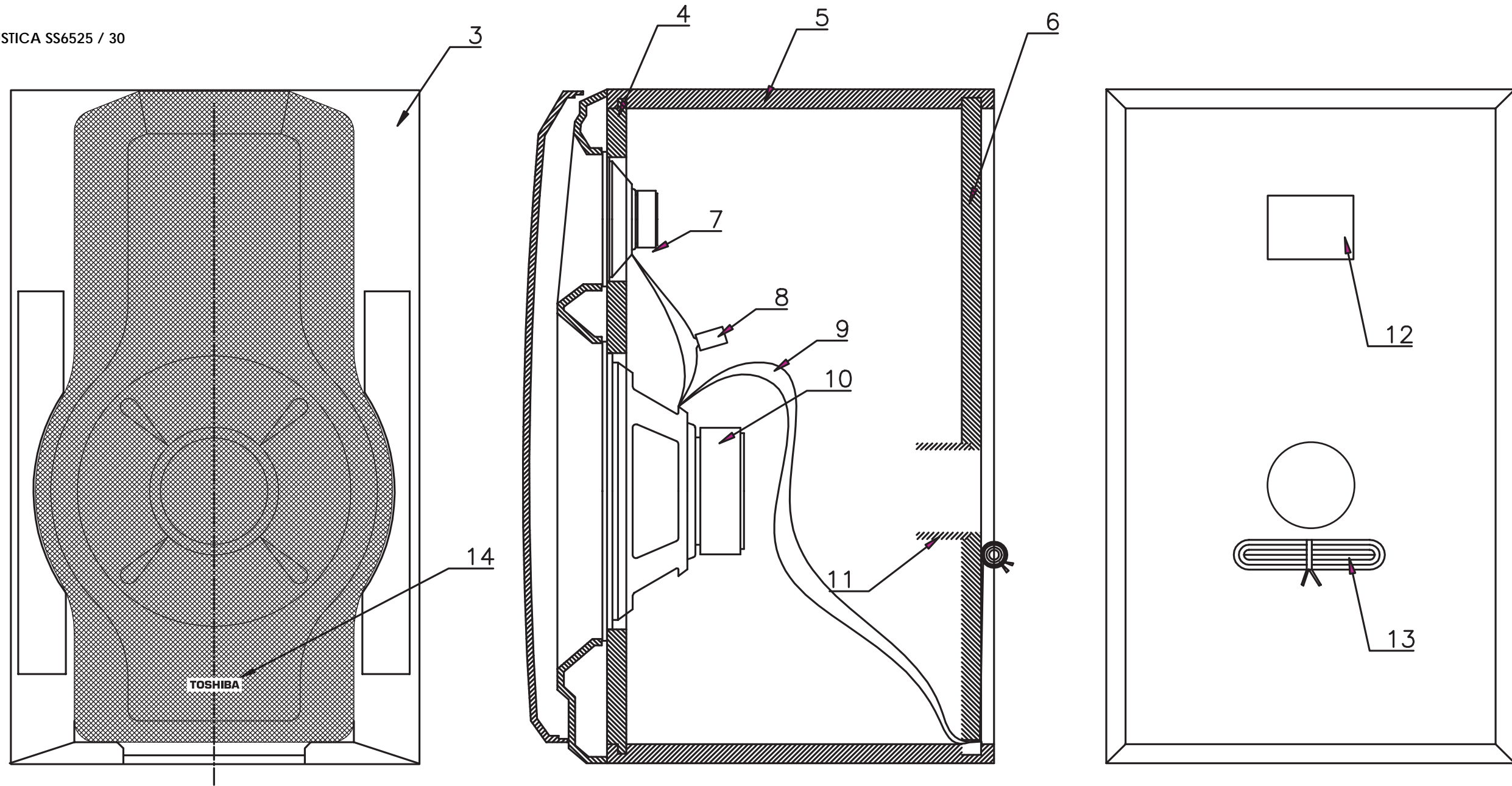
6- VISTAS EXPLODIDAS

6.1 - MS-6525CD / MS-6530CD



6- VISTAS EXPLODIDAS

6.2- CAIXA ACÚSTICA SS6525 / 30

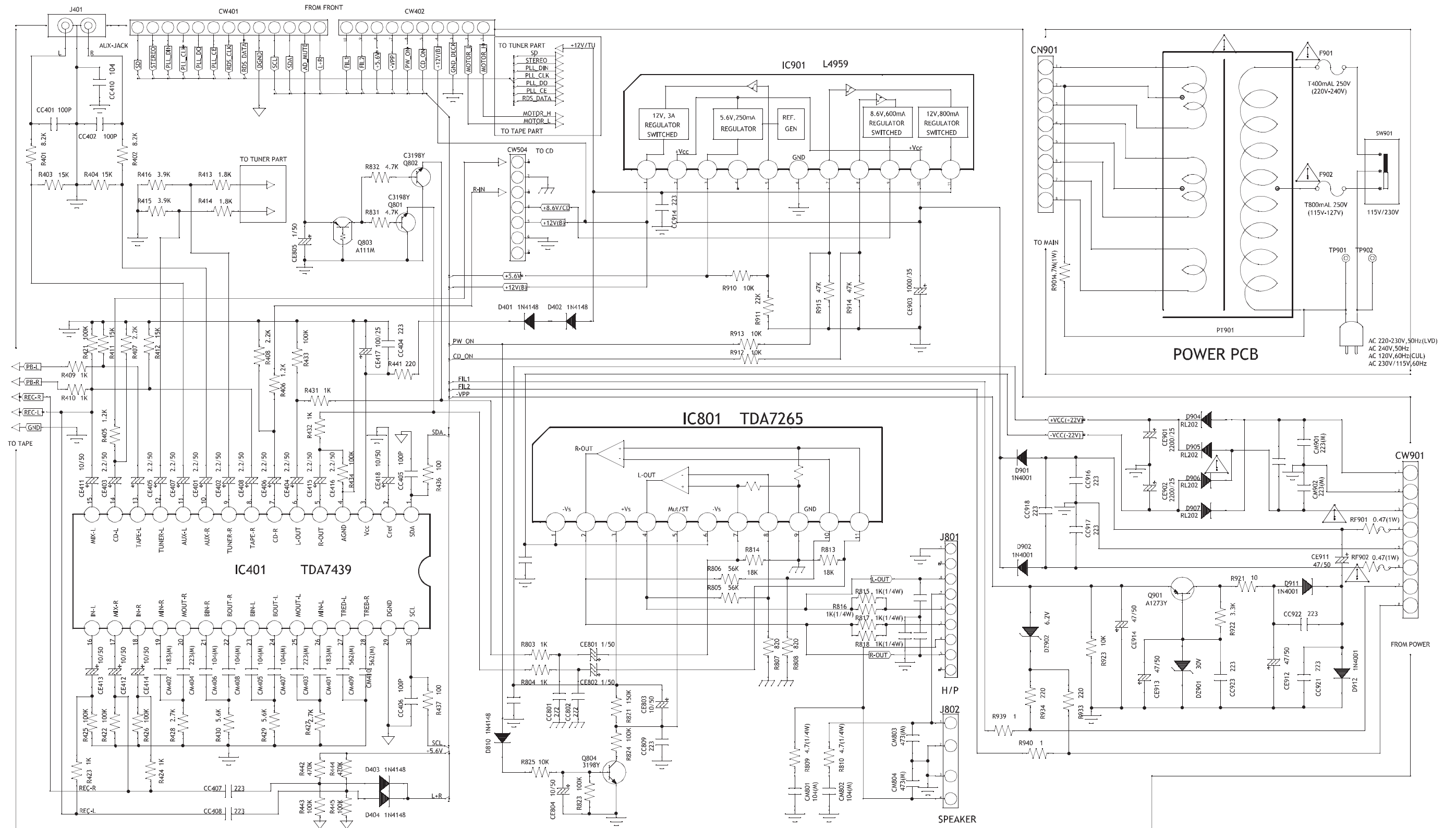


Esquema

7- ESQUEMA ELÉTRICOS

7.1 - PCI PRINCIPAL (AMPLIFICADOR E FONTE)

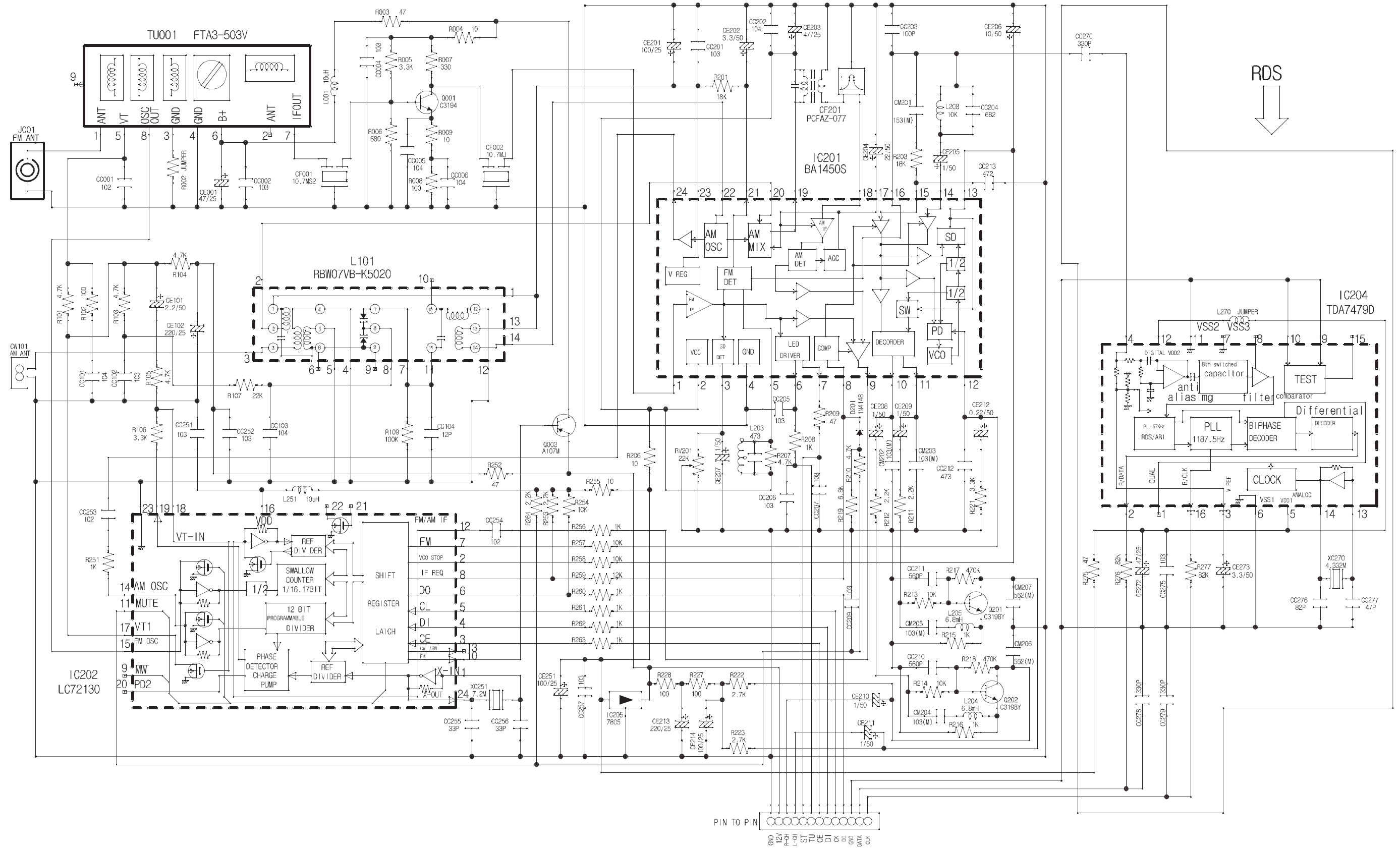
MS-6525CD



7- ESQUEMA ELÉTRICOS

7.2- PCI PRINCIPAL (SINTONIZADOR)

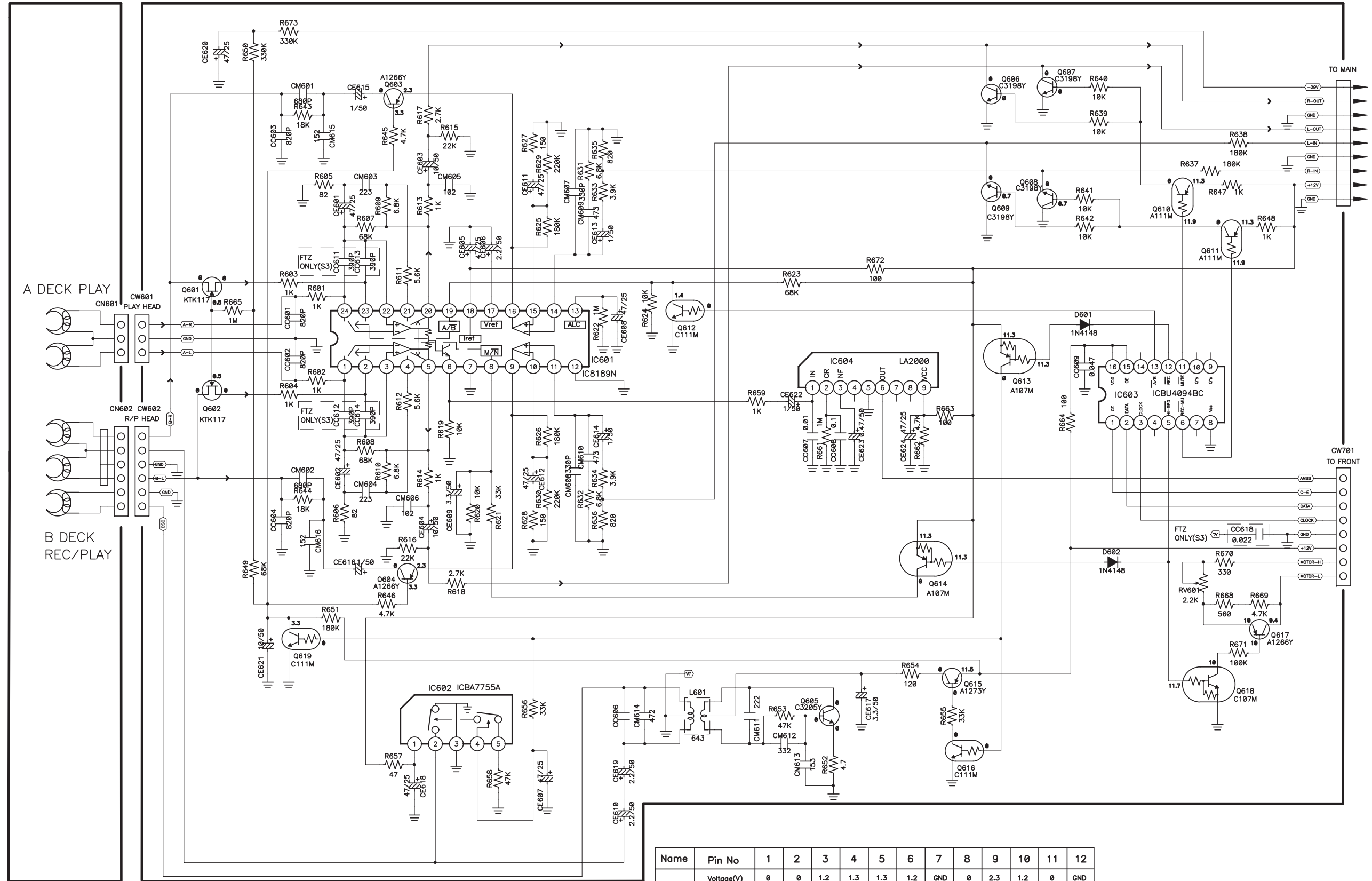
MS-6525CD



7- ESQUEMA ELÉTRICOS

7.3 - PCI PRINCIPAL (CASSETE)

MS-6525CD



Name	Pin No	1	2	3	4	5
IC602	Voltage(V)	11	0	GND	0	8

Name	Pin No	1	2	3	4	5	6	7	8	9	10	11	12	13	14	15	16
IC603	Voltage(V)	0	12	0.4	NC	11.7	0	NC	GND	NC	NC	11.9	11.9	0	NC	11.9	11.9

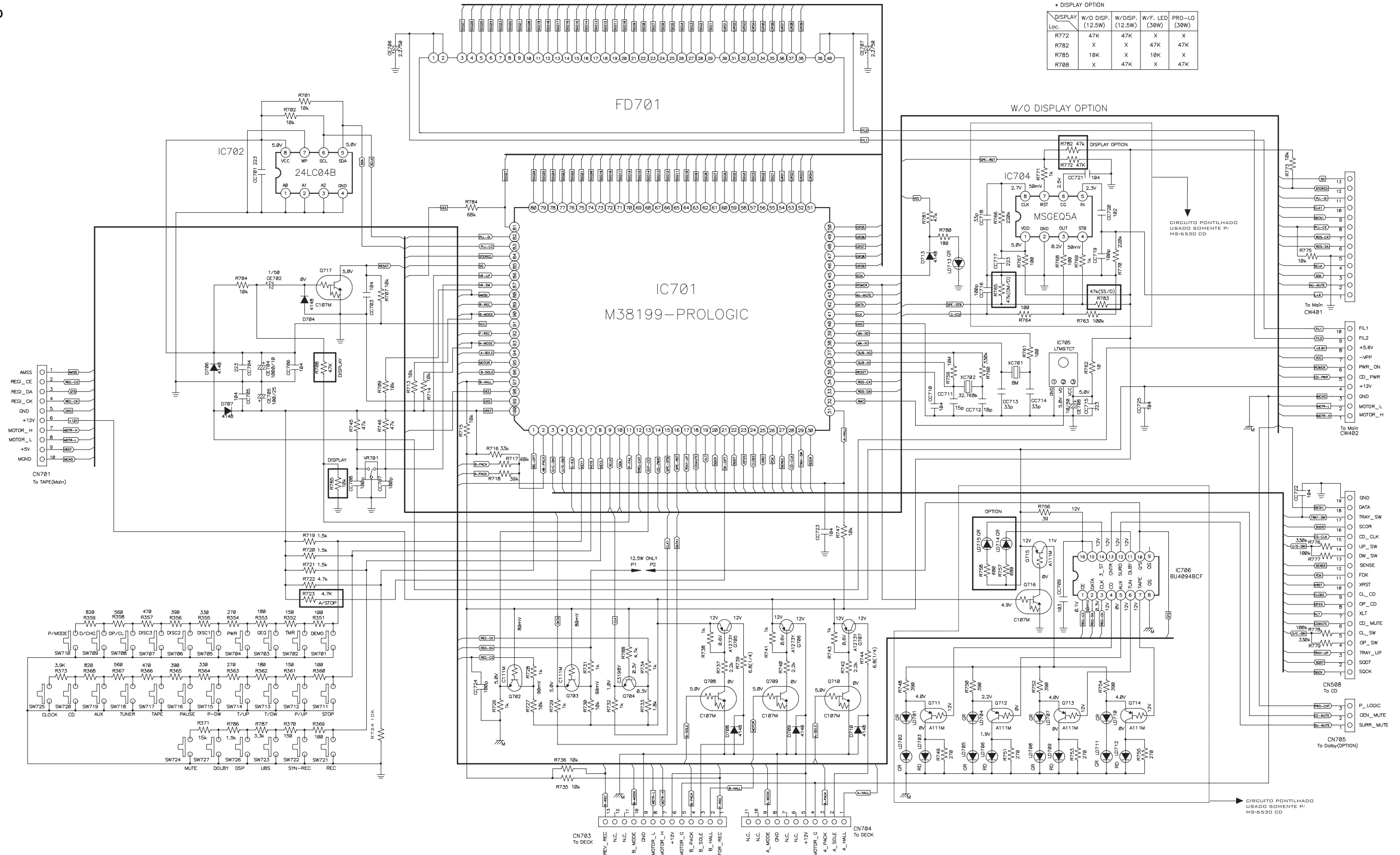
Name	Pin No	1	2	3	4	5	6	7	8	9	10	11	12
IC601	Voltage(V)	0	0	1.2	1.3	1.3	1.2	GND	0	2.3	1.2	0	GND
	Pin No	13	14	15	16	17	18	19	20	21	22	23	24
	Voltage(V)	0.9	0	1.2	2.3	1.4	10	1.4	1.3	1.3	1.2	0	0

Name	Pin No	1	2	3	4	5	6	7	8	9
IC604	Voltage(V)	1.9	0	1.9	NC	GND	0	NC	NC	10.2

7- ESQUEMA ELÉTRICOS

7.4- PCI FRONTAL

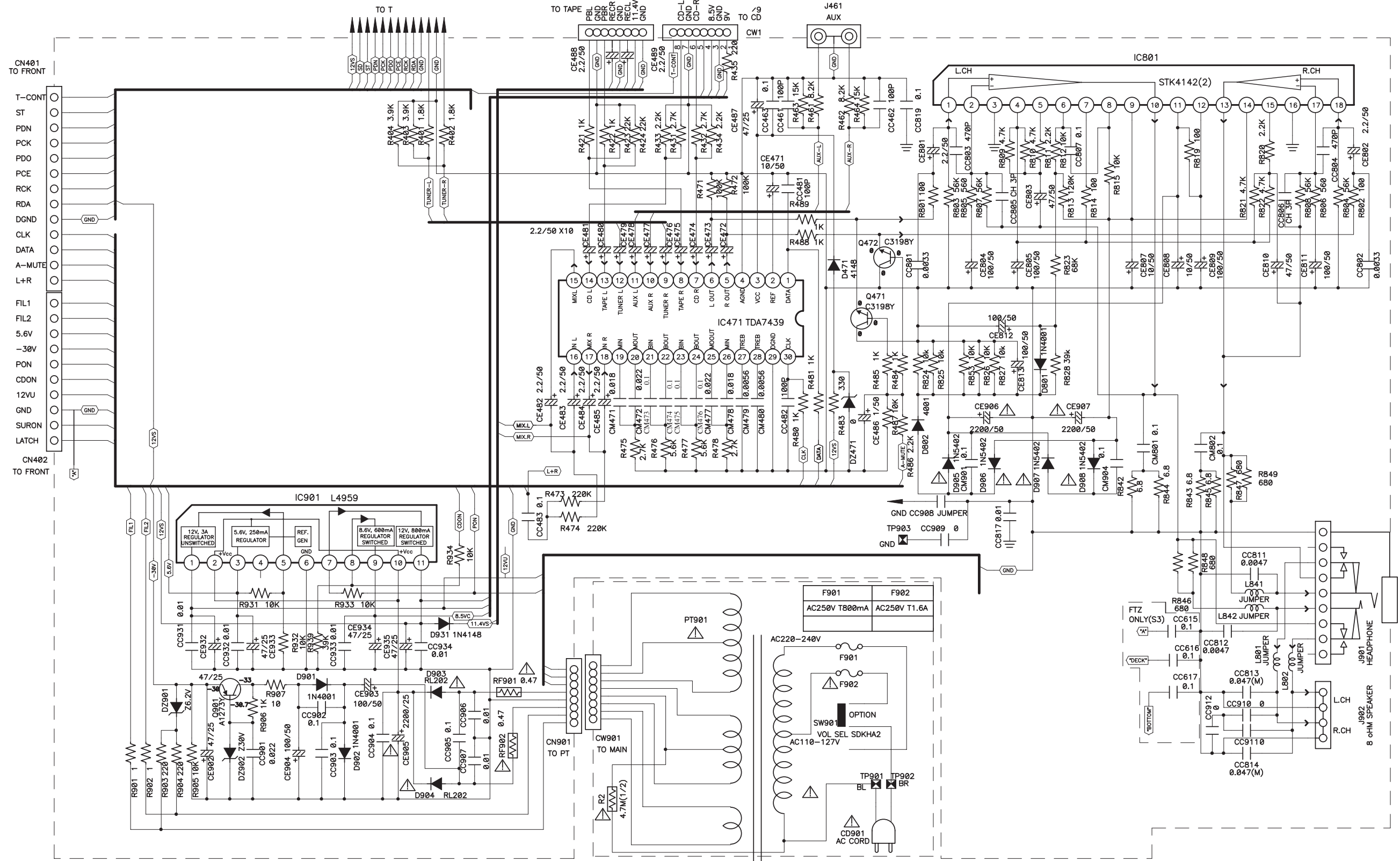
MS-6525CD



7- ESQUEMA ELÉTRICOS

7.5 - PCI PRINCIPAL (AMPLIFICADOR E FONTE)

MS-6530CD



Name	Pin No	1	2	3	4	5	6	7	8	9	10	11	12	13	14	15	16	17	18	19	20	21	22	23	24	25	26	27	28	29	30
IC471	Voltage(V)	4.8	4.6	9.1	GND	3.9	3.9	4.6	4.6	4.6	4.6	4.6	4.6	4.6	4.6	4.6	4.6	4.6	4.6	4.6	4.6	4.6	4.6	4.6	4.6	4.6	4.6	0	0	4.8	

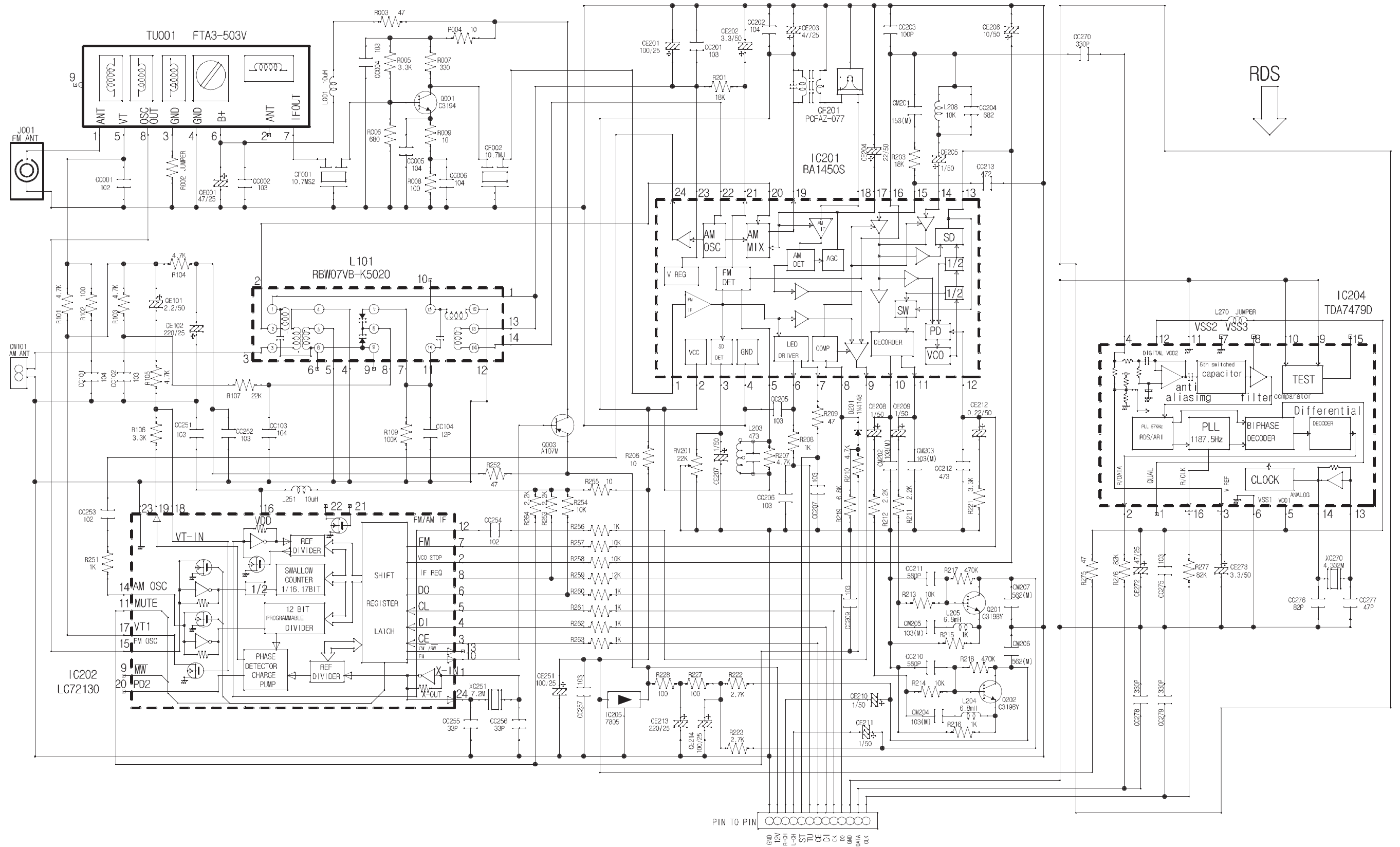
Name	Pin No	1	2	3	4	5	6	7	8	9	10	11	12	13	14	15	16	17	18
IC801	Voltage(V)	0	0	GND	-29	-1.2	1.2	-31	-32	-33	0	33	31	0	-33	-1.2	0	0	0

Name	Pin No	1	2	3	4	5	6	7	8	9	10	11
IC901	Voltage(V)	12	20	5.6	NC	2.4	GND	3.2	3	3	20	12

7- ESQUEMA ELÉTRICOS

7.6- PCI PRINCIPAL (SINTONIZADOR)

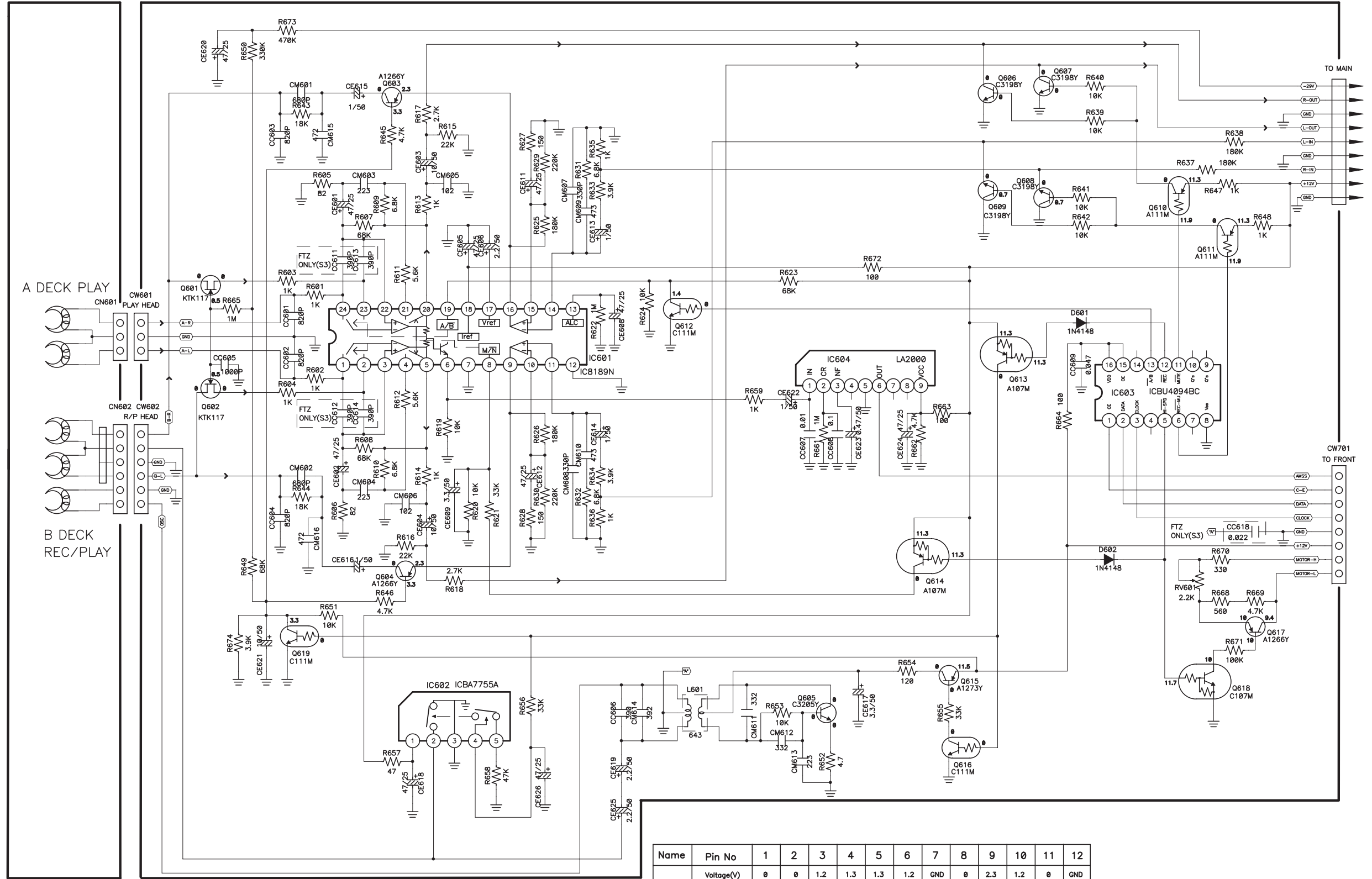
MS-6530CD



7- ESQUEMA ELÉTRICOS

7.7 - PCI PRINCIPAL (CASSETE)

MS-6530CD



Name	Pin No	1	2	3	4	5
IC602	Voltage(V)	11	0	GND	0	8

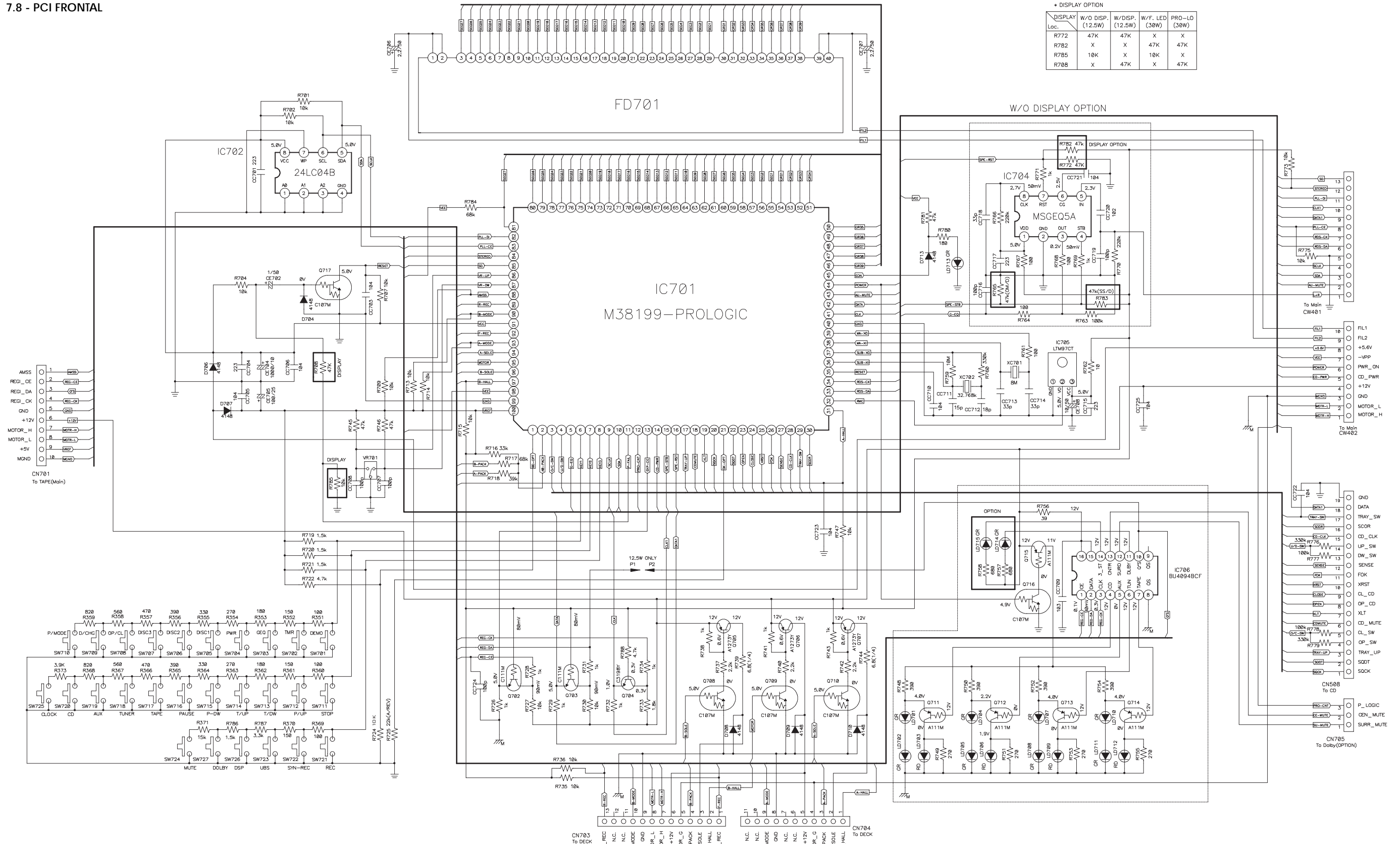
Name	Pin No	1	2	3	4	5	6	7	8	9	10	11	12	13	14	15	16
IC603	Voltage(V)	0	12	0.4	NC	11.7	0	NC	GND	NC	NC	11.9	11.9	0	NC	11.9	11.9

Name	Pin No	1	2	3	4	5	6	7	8	9	10	11	12
IC601	Voltage(V)	0	0	1.2	1.3	1.3	1.2	GND	0	2.3	1.2	0	GND
	Pin No	13	14	15	16	17	18	19	20	21	22	23	24
	Voltage(V)	0.9	0	1.2	2.3	1.4	10	1.4	1.3	1.3	1.2	0	0

Name	Pin No	1	2	3	4	5	6	7	8	9
IC604	Voltage(V)	1.9	0	1.9	NC	GND	0	NC	NC	10.2

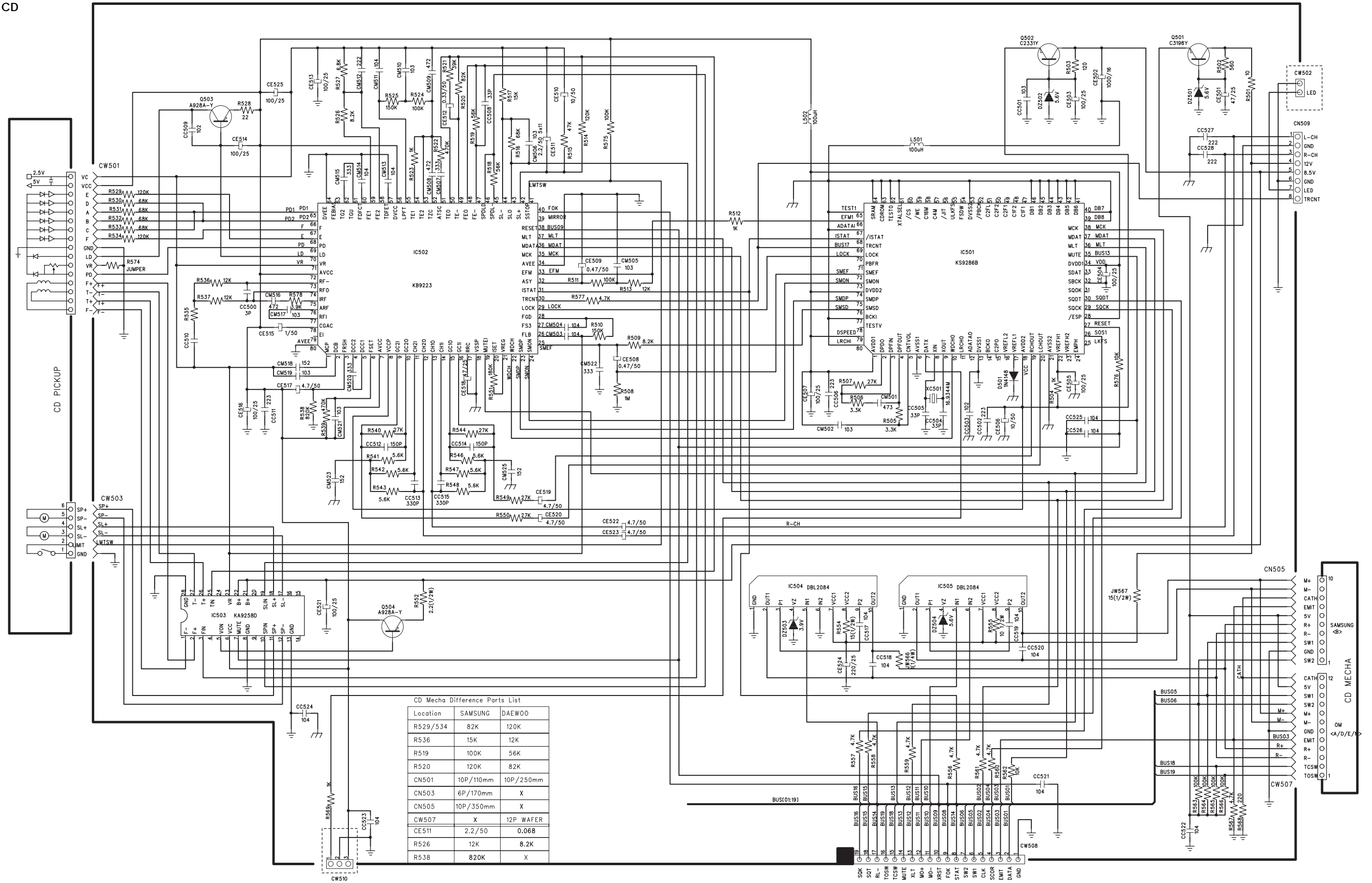
7- ESQUEMA ELÉTRICOS

7.8 - PCI FRONTAL



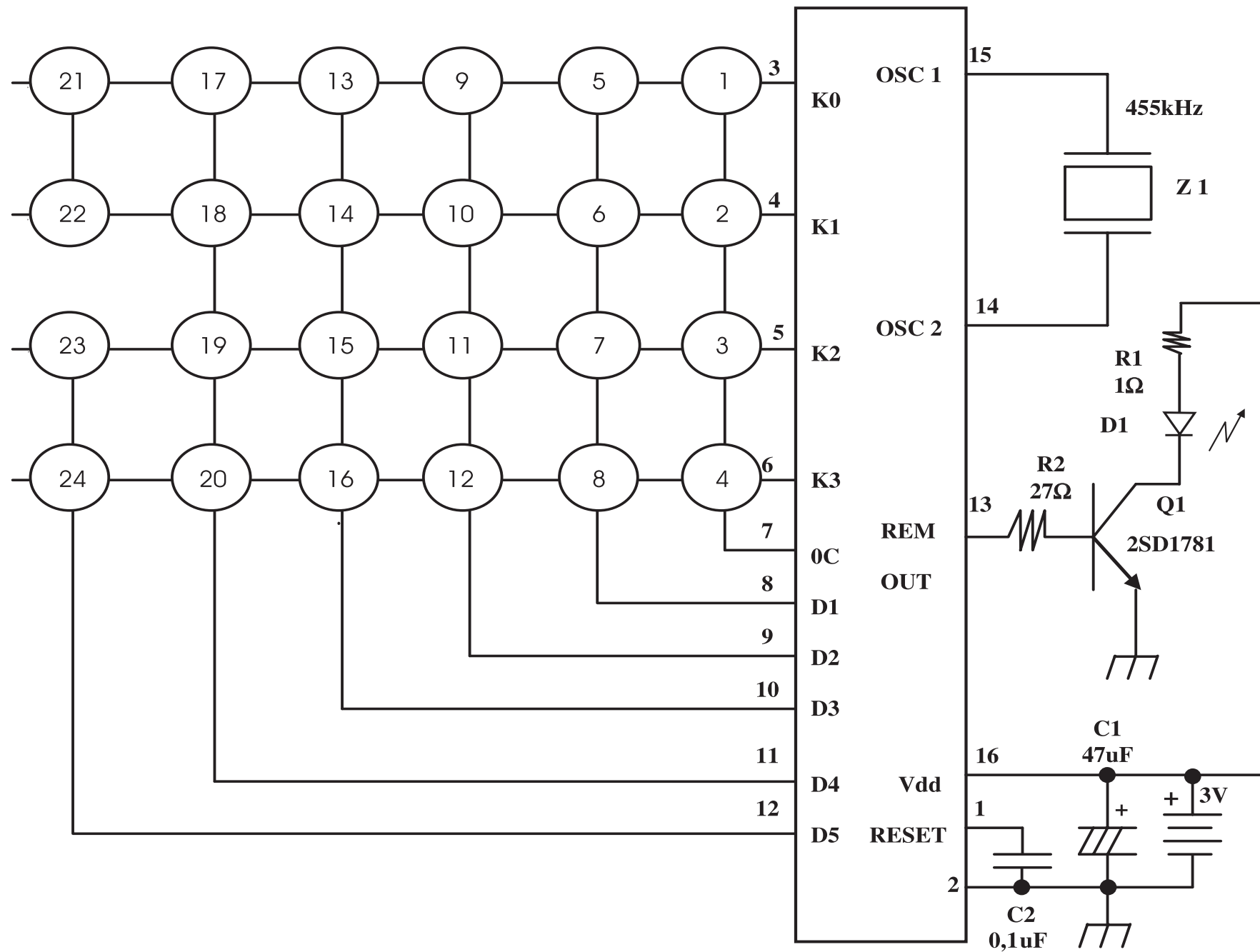
7- ESQUEMA ELÉTRICOS

7.9 - PCI CD



7- ESQUEMA ELÉTRICOS

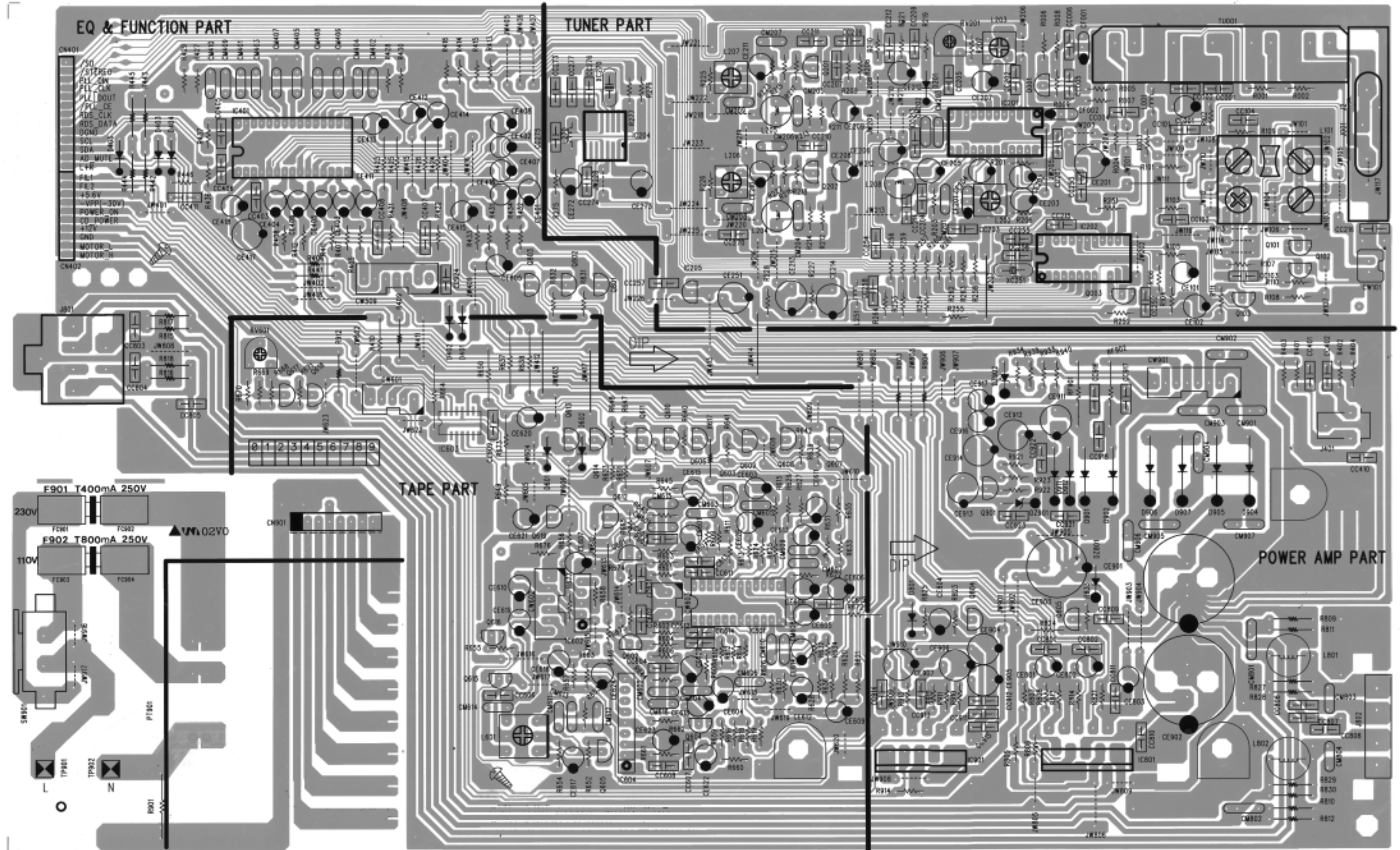
7.10- PCI CONTROLE REMOTO



SW	Função	SW	Função
1	Standby/On	13	PRESET DOWN
2	Volume up	14	RANDOM
3	Volume Down	15	REPEAT
4	GEQ	16	PGM
5	MUTE	17	STOP / CLEAR
6	UBS	18	SLEEP
7	BAND	19	CLOCK
8	TUNE UP	20	TIMER
9	TUNE DOWN	21	DISC DIRECT 1
10	SET / PAUSE	22	DISC DIRECT 2
11	MONO / STEREO	23	DISC DIRECT 3
12	PRESET UP	24	FUNCTION

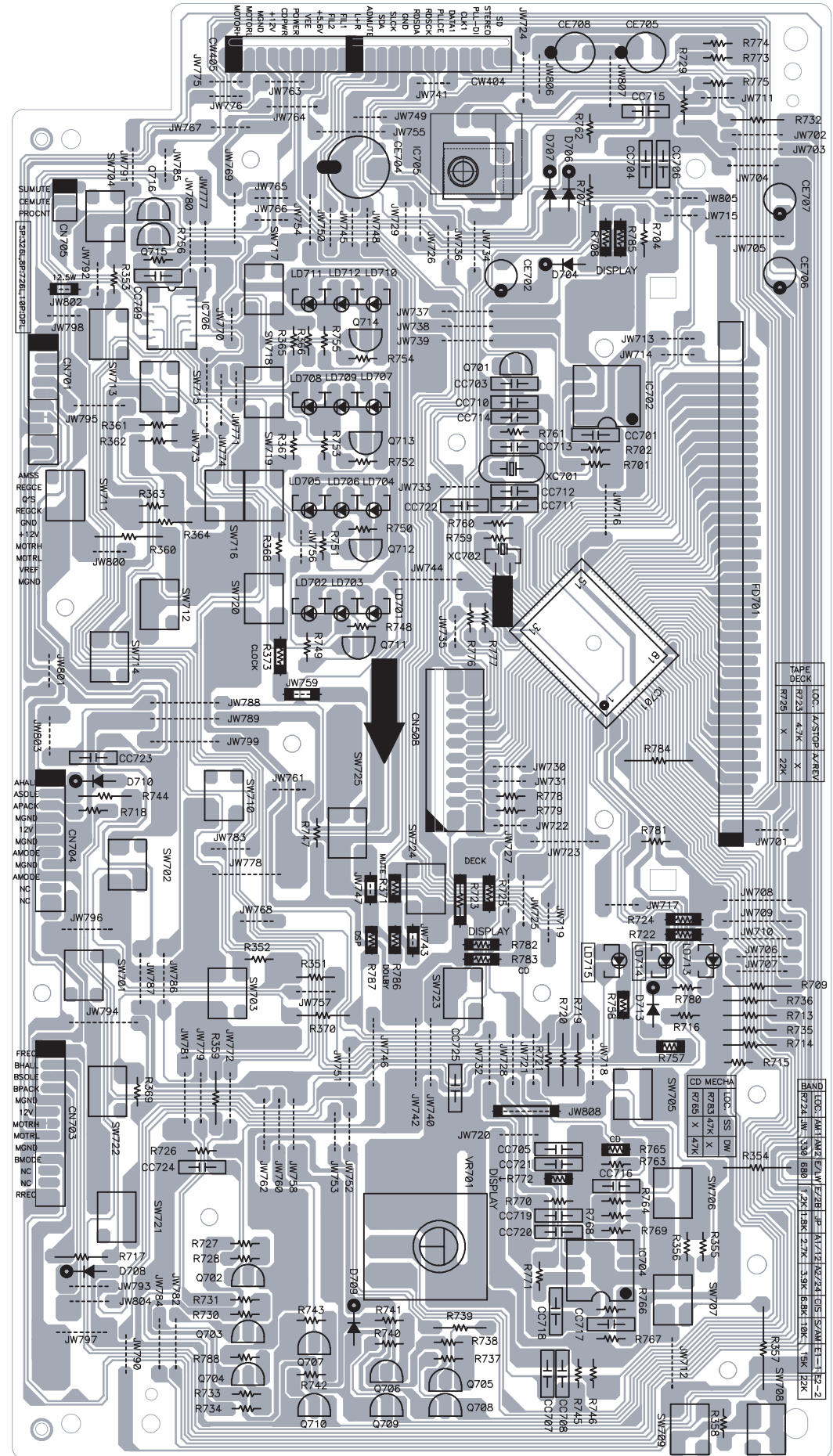
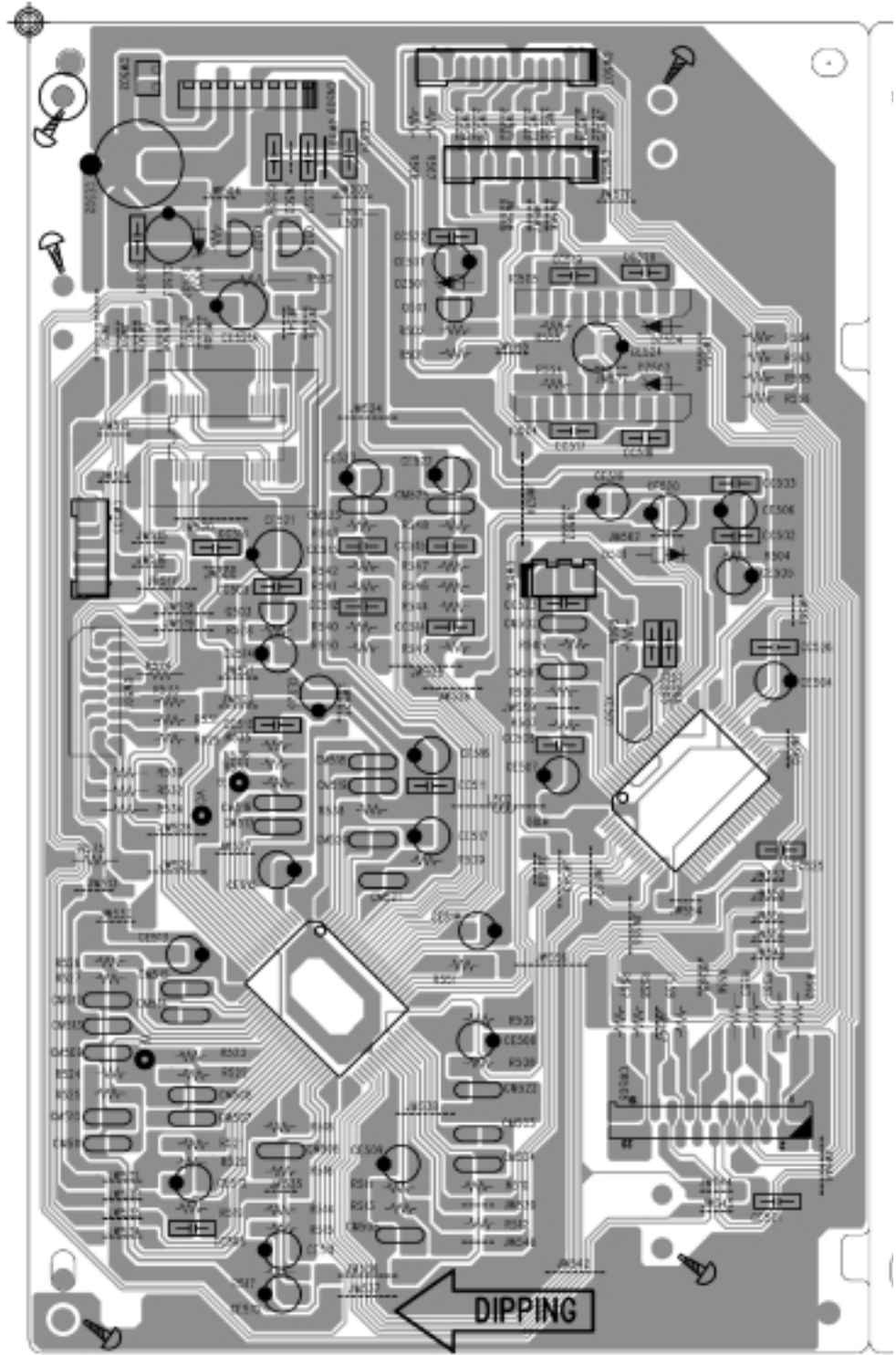
9- LAY OUT DAS PCI'S

9.1- PCI PRINCIPAL MS6525CD



9- LAY OUT DAS PCI'S

9.2 - PCI CD e FRONTAL MS-6525CD



9- LAY OUT DAS PCI'S

9.3- PCI PRINCIPAL MS-6530CD

