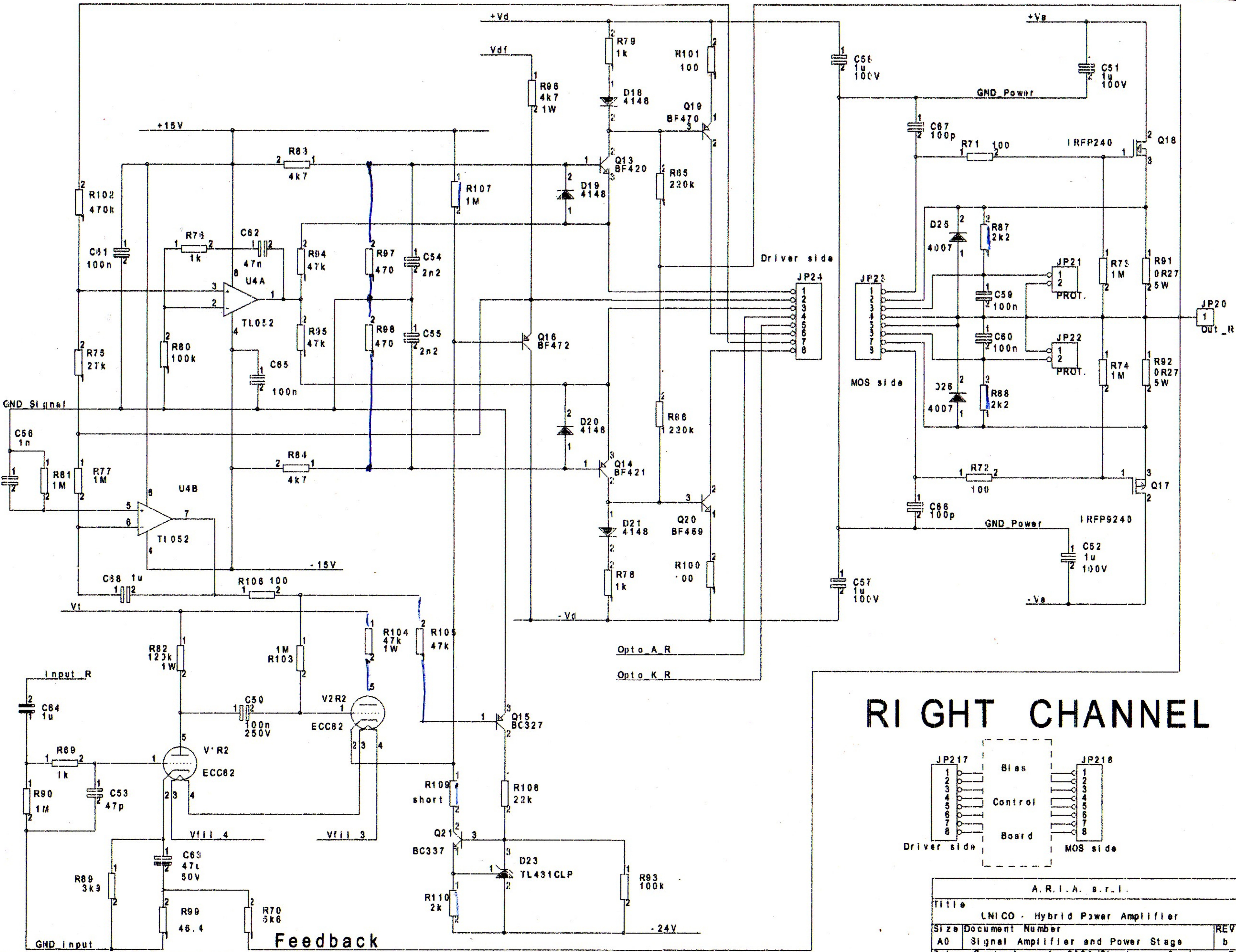
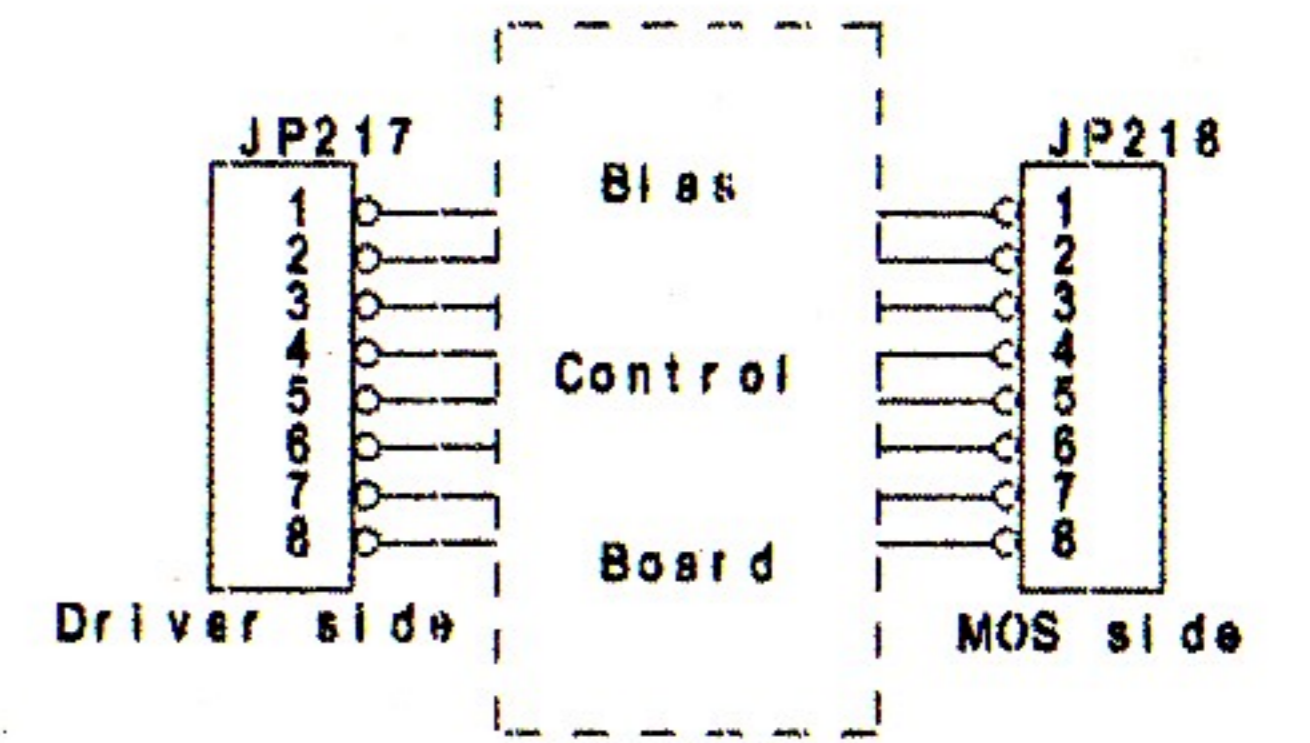


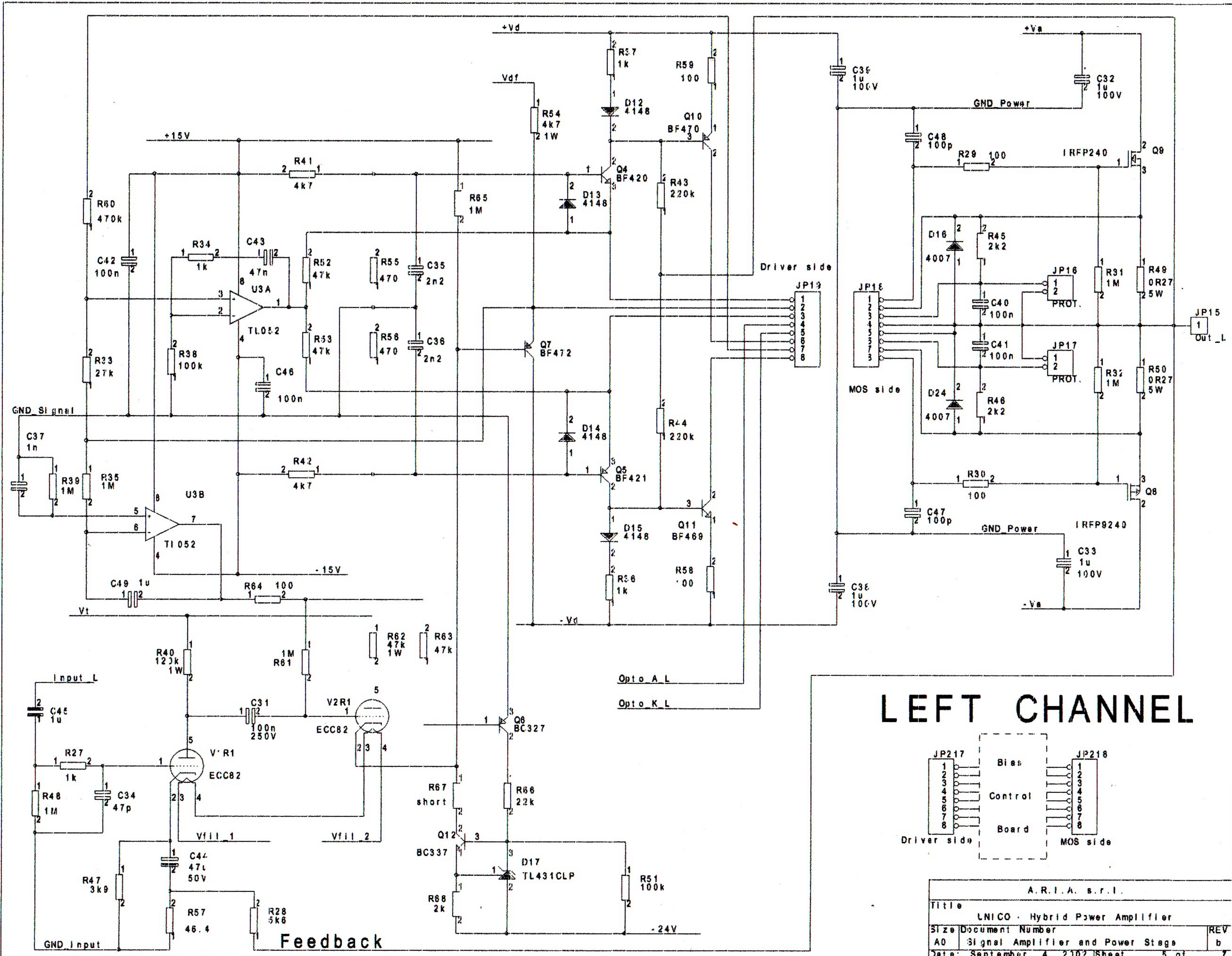
A.R.I.A. s.r.l.		
Title LNICO - Hybrid Power Amplifier		
Size	Document Number	REV
A0	Control Board	b
Date:	August 31, 2002	Sheet 6 of 7



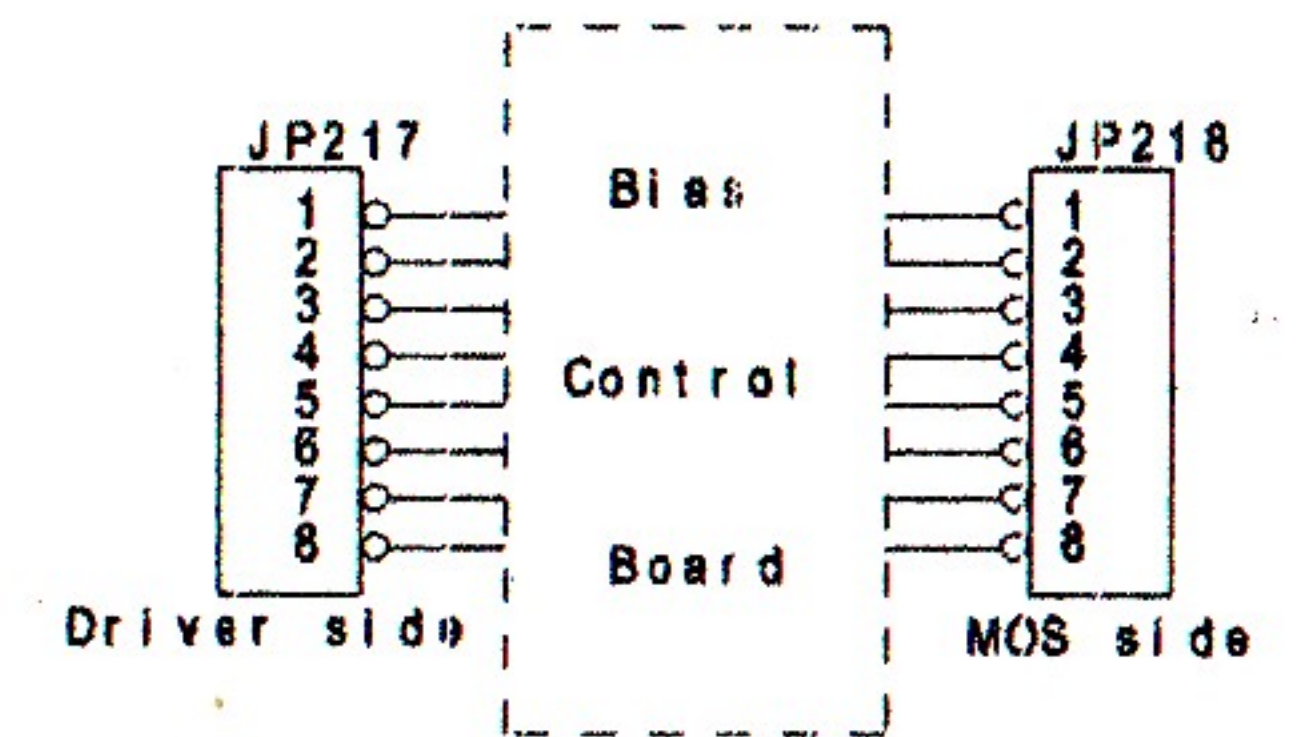
RIGHT CHANNEL



A.R.I.A. s.r.l.		
Title		
LNICO - Hybrid Power Amplifier		
Size	Document Number	REV
A0	Signal Amplifier and Power Stage	b
Date: September 4, 2002	Sheet	6 of 7

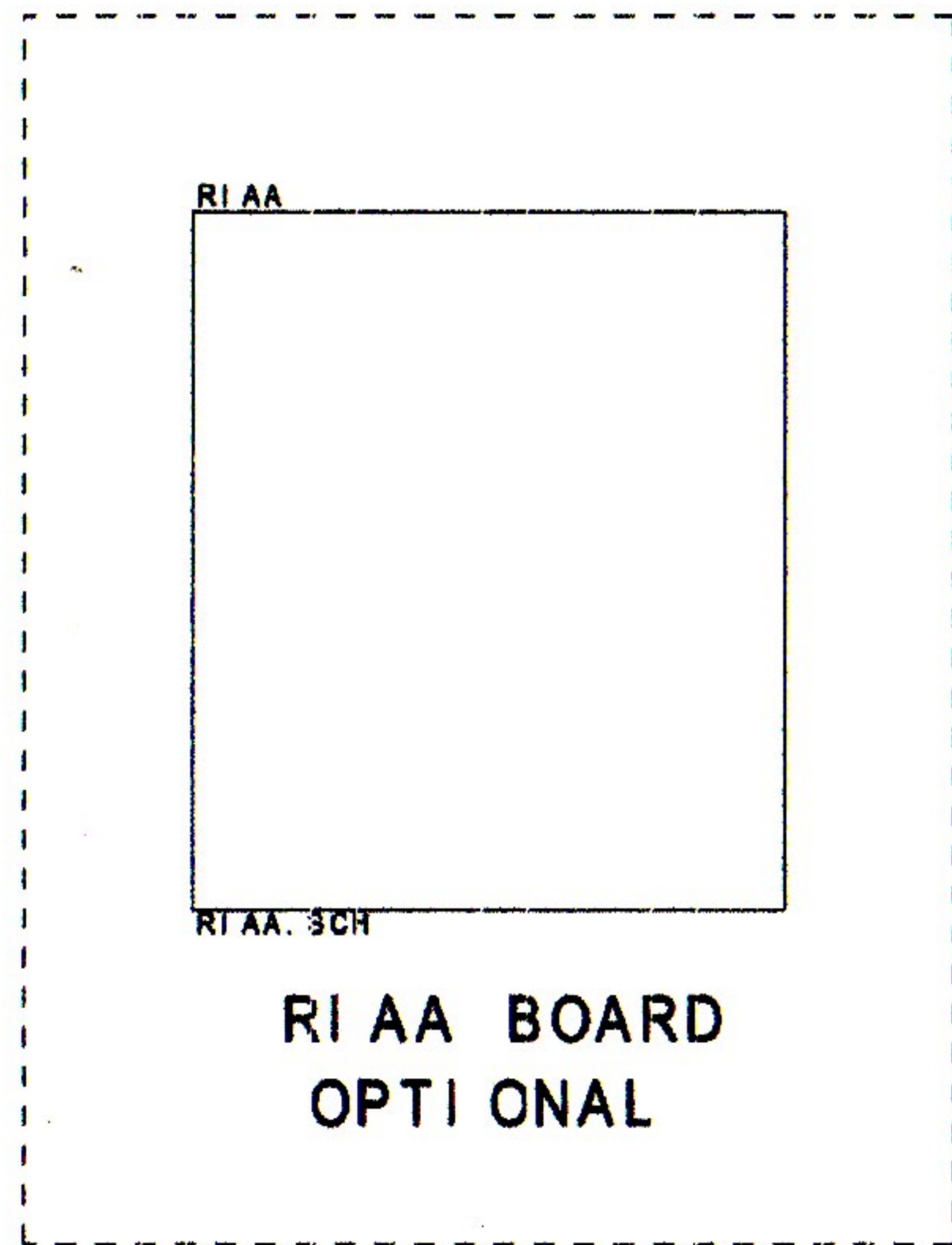
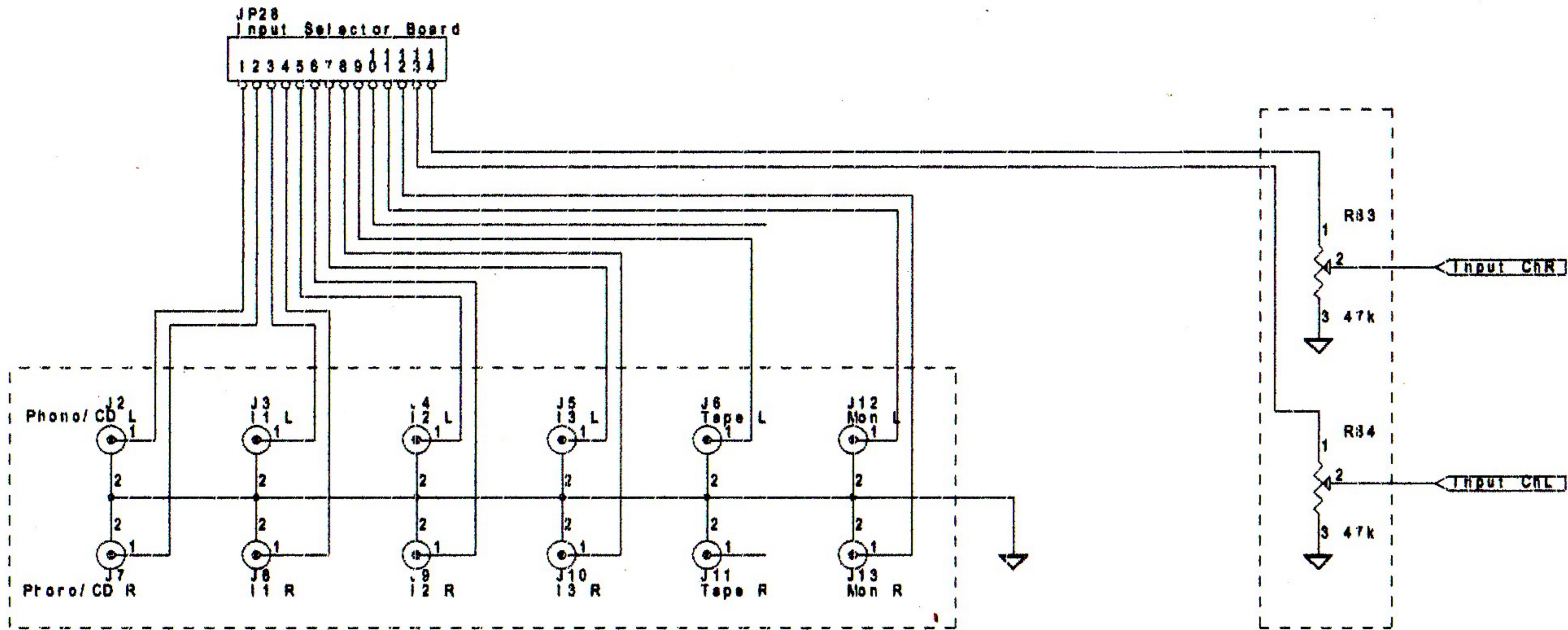


LEFT CHANNEL



A.R.I.A. s.r.l.

Title		
LNICO - Hybrid Power Amplifier		
Size	Document Number	REV
A0	Signal Amplifier and Power Stage	b
Date: September 4, 2002	Sheet	5 of 7

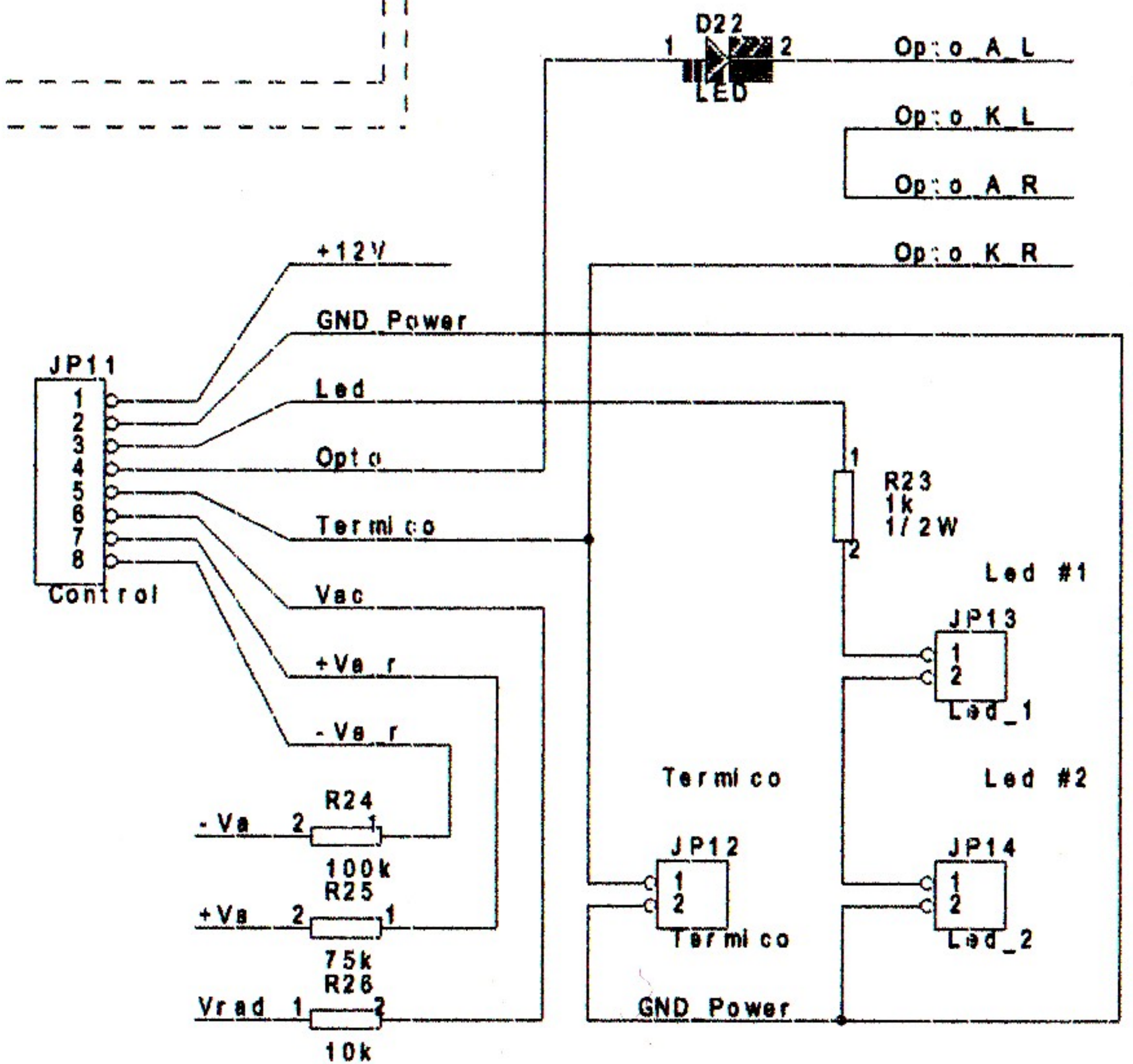


A. R. I. A. s. r. l.			
Title		LNICO - Hybrid Power Amplifier	
Size	Document Number	REV	
A0	Inputs	b	
Date:	August 31, 2002	Sheet	4 of 7

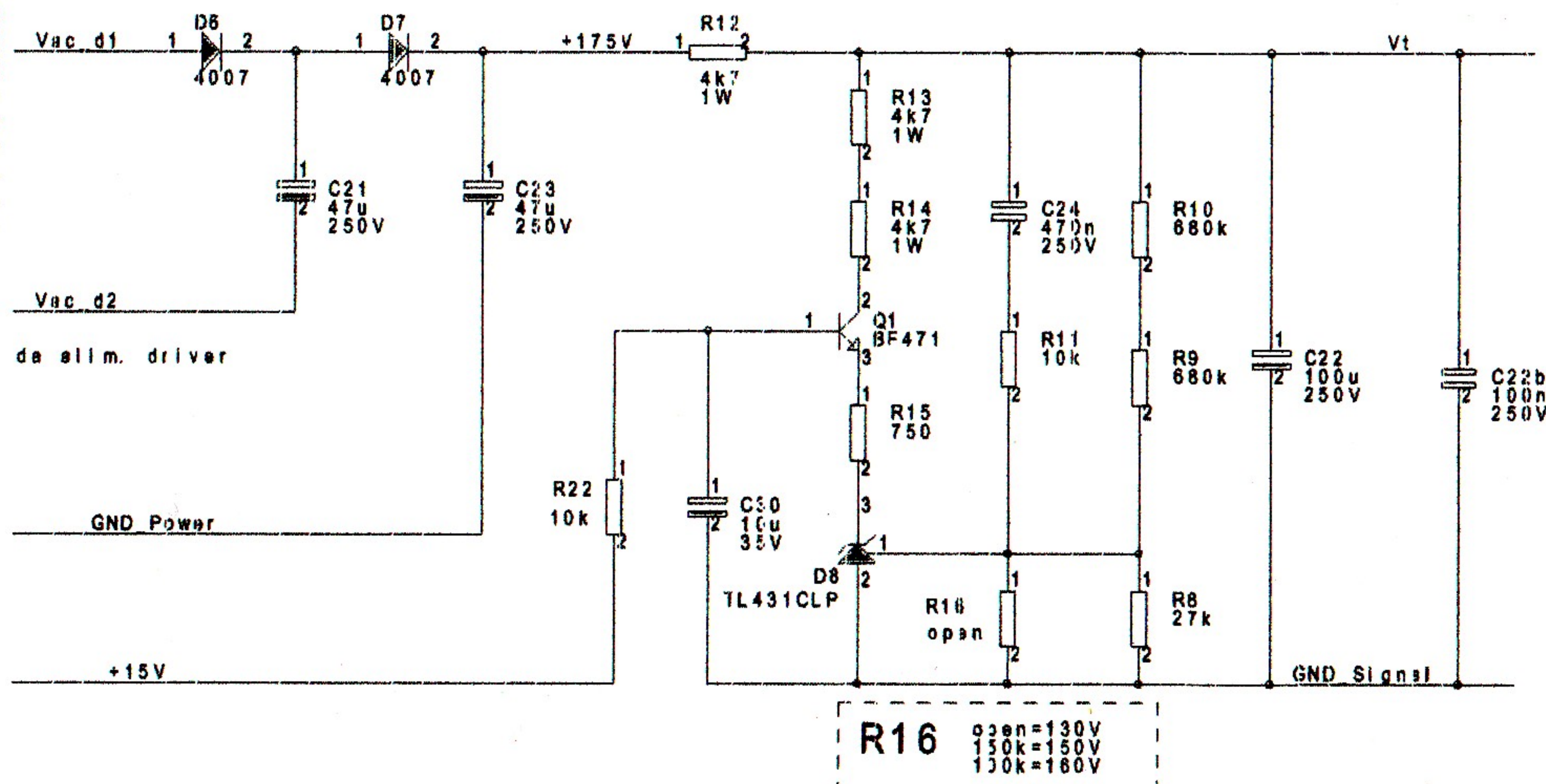
Alimentatore Filamenti e 12V



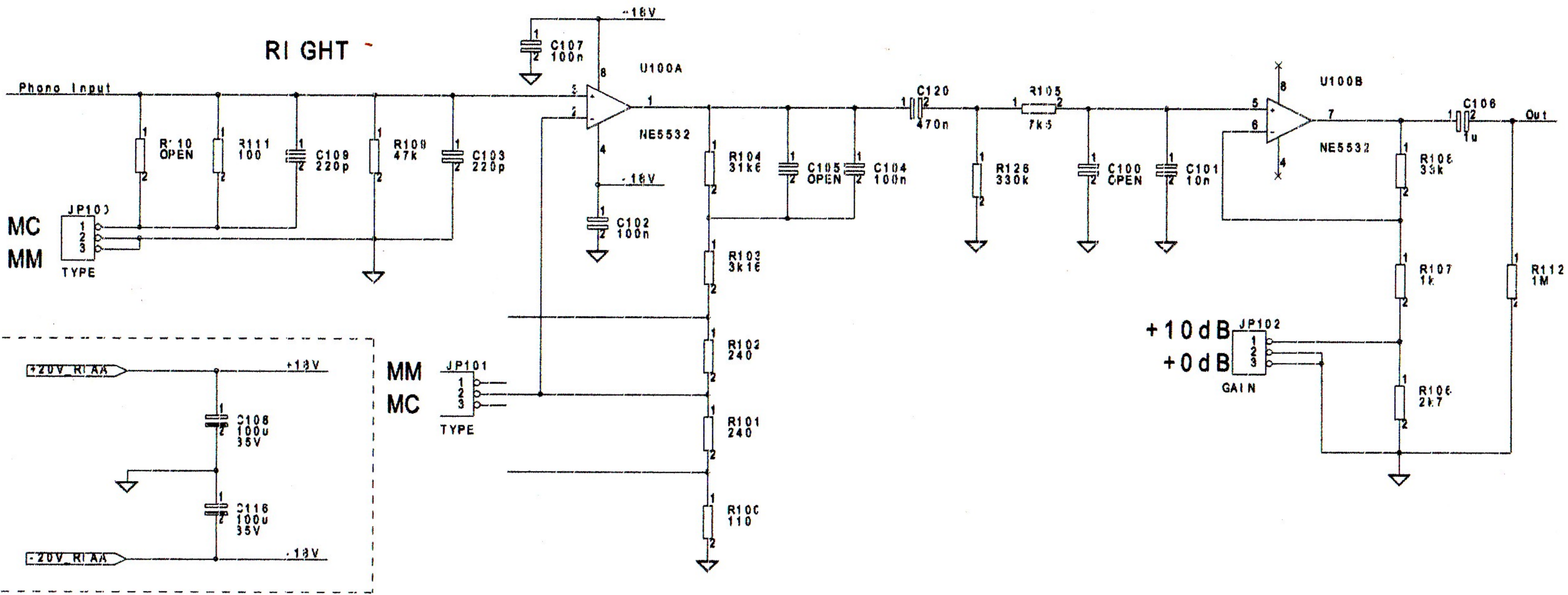
Connettore per control board



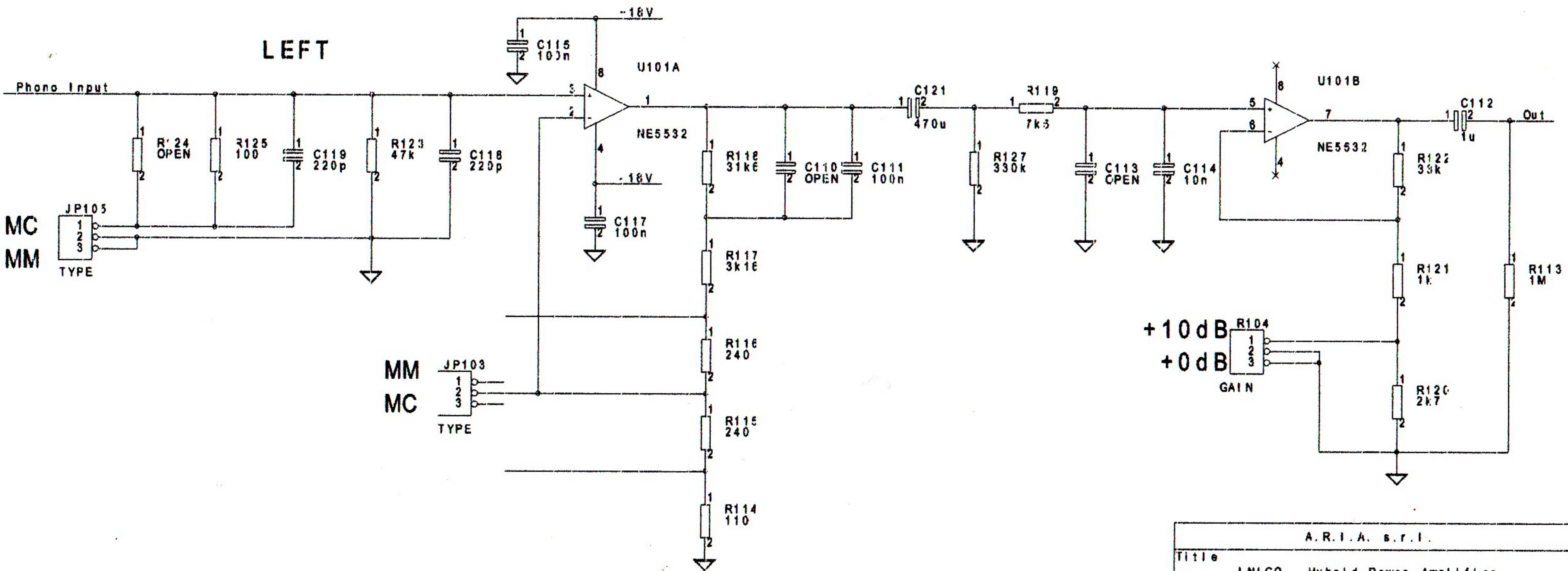
Alimentazione Anodica 130-160V 2-3mA



RIGHT



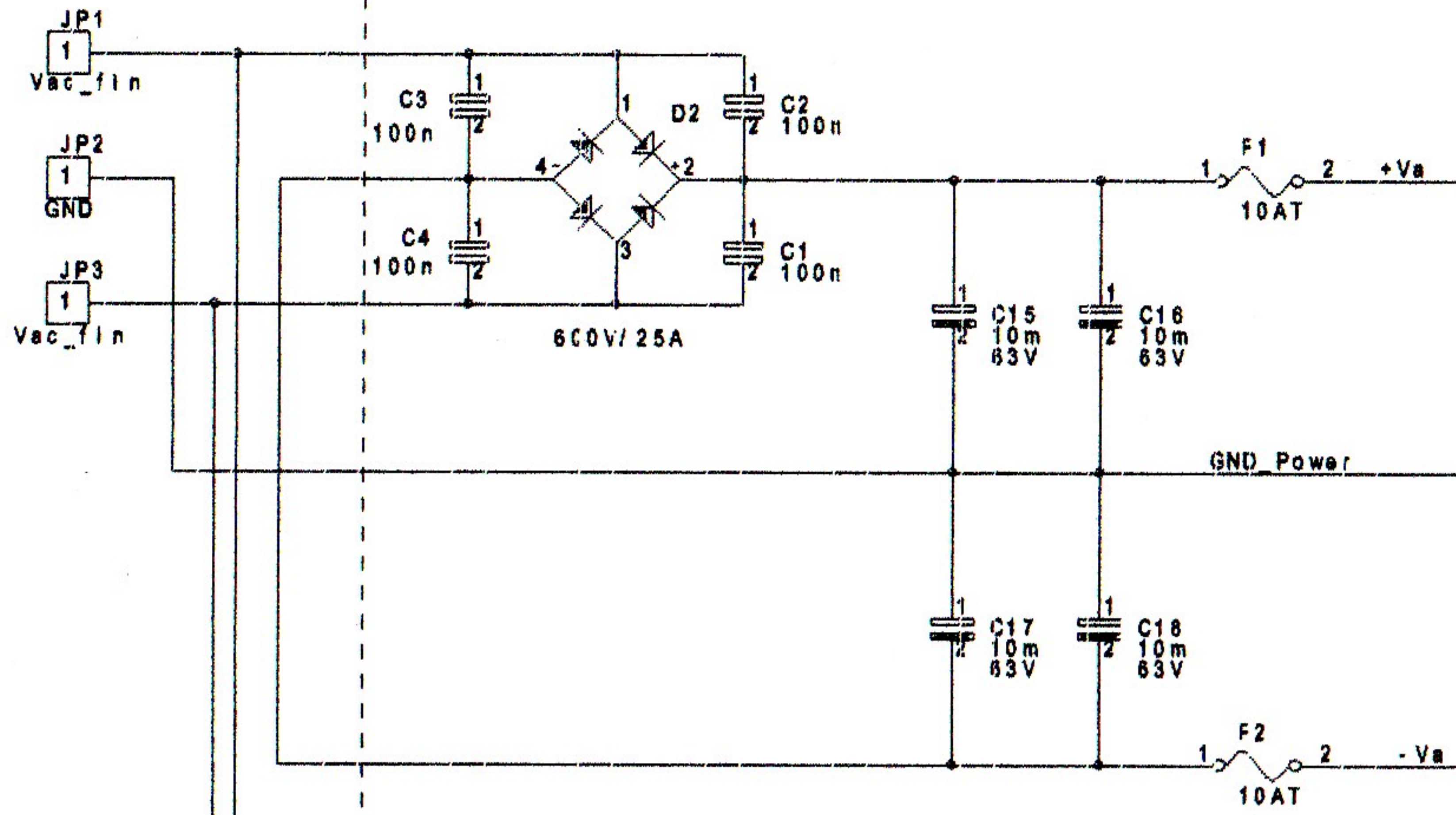
LEFT



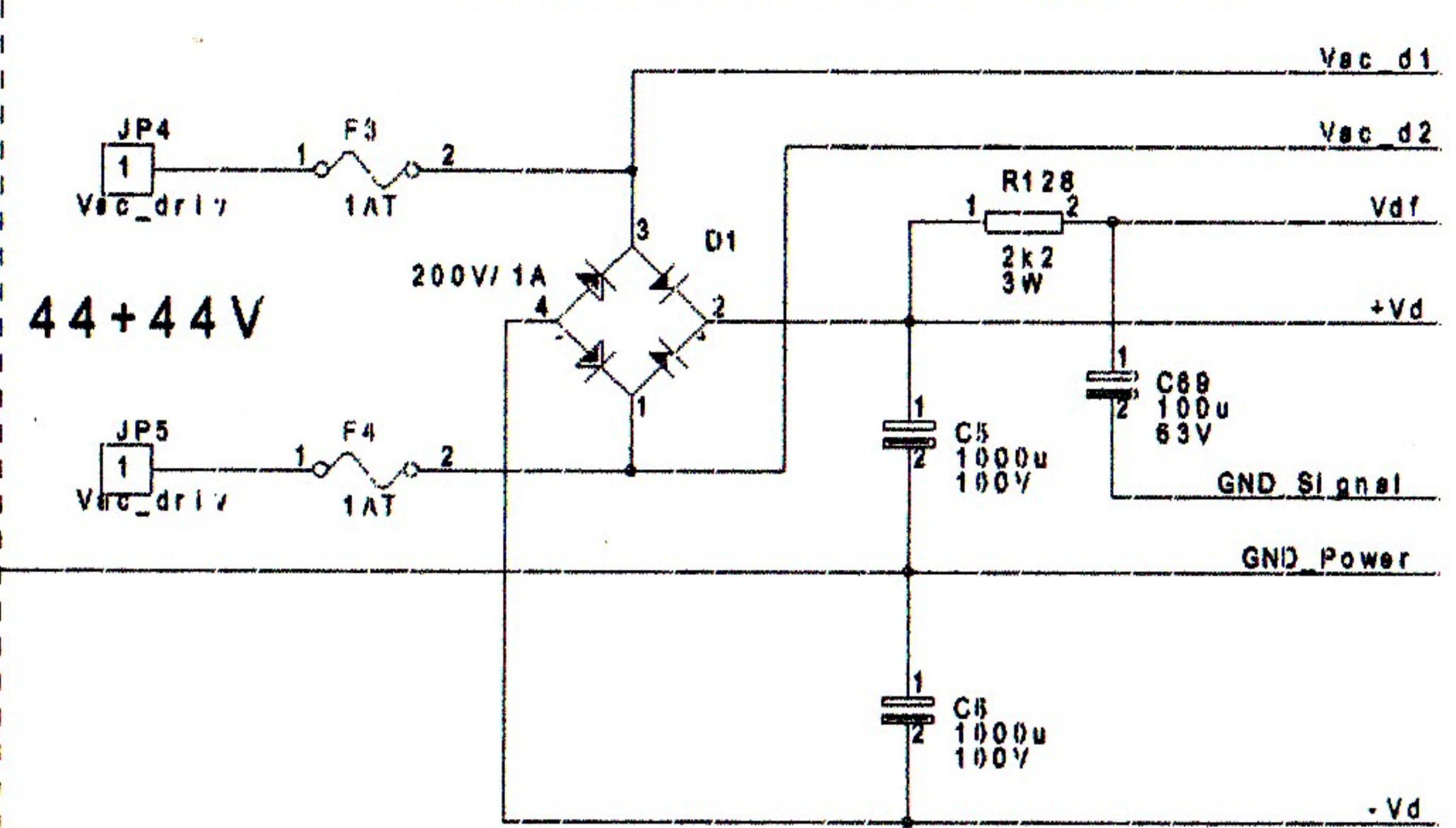
A.R.I.A. s.r.l.		
Title LNICO - Hybrid Power Amplifier		
Size Document Number A0	RIAA	REV b
Date: August 31, 2002 Sheet 3 of 7		

37+37V

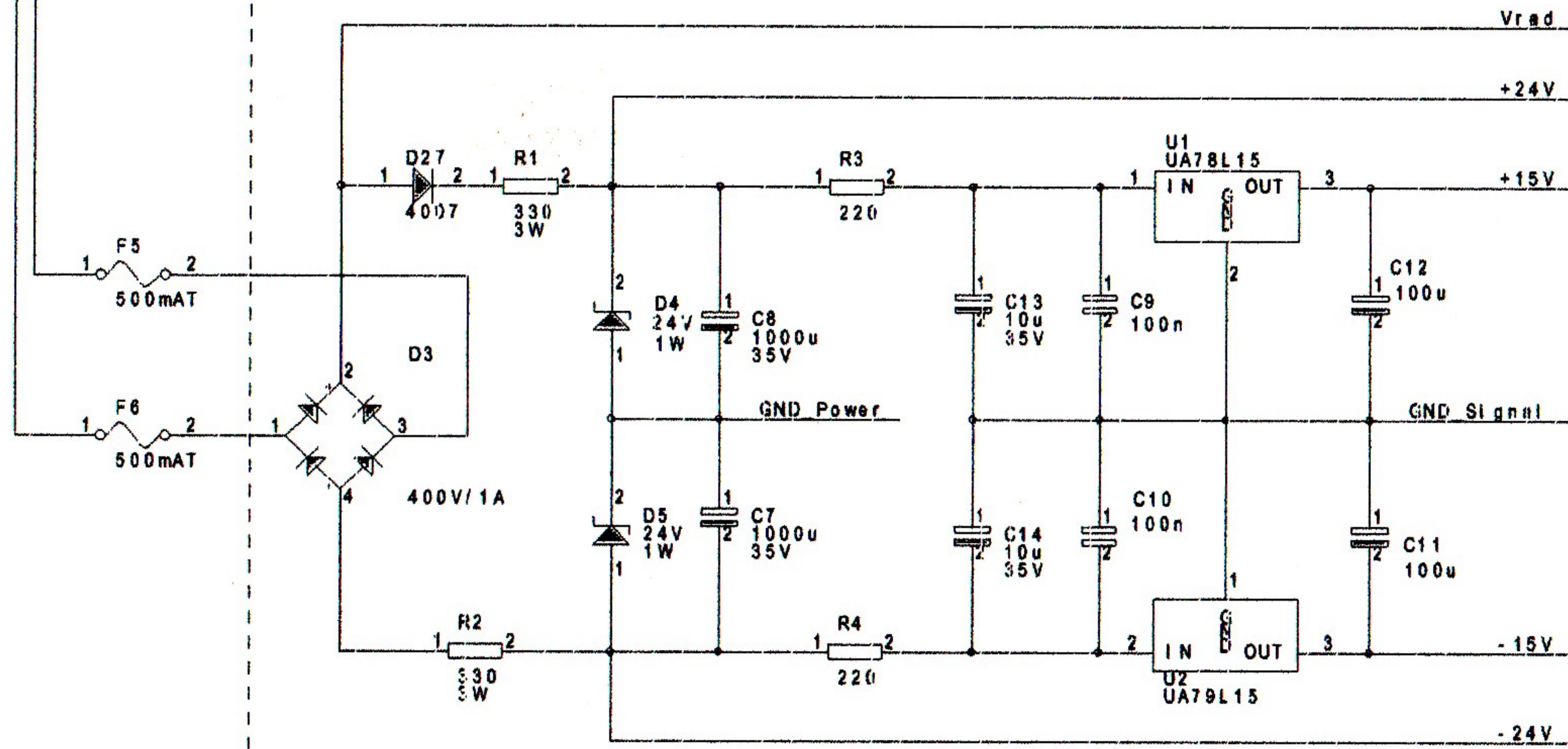
Alimentazione Finali



Alimentazione driver

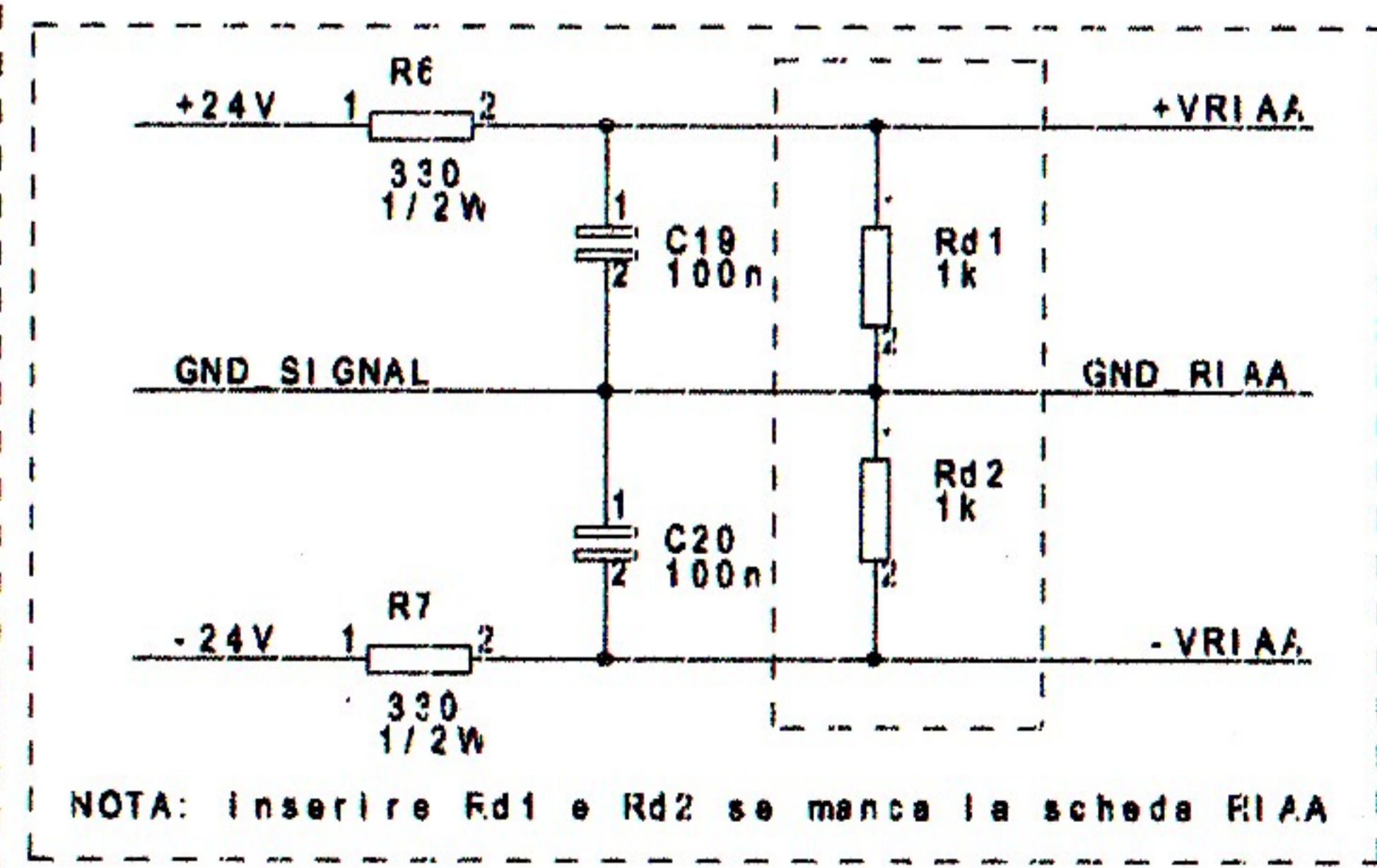
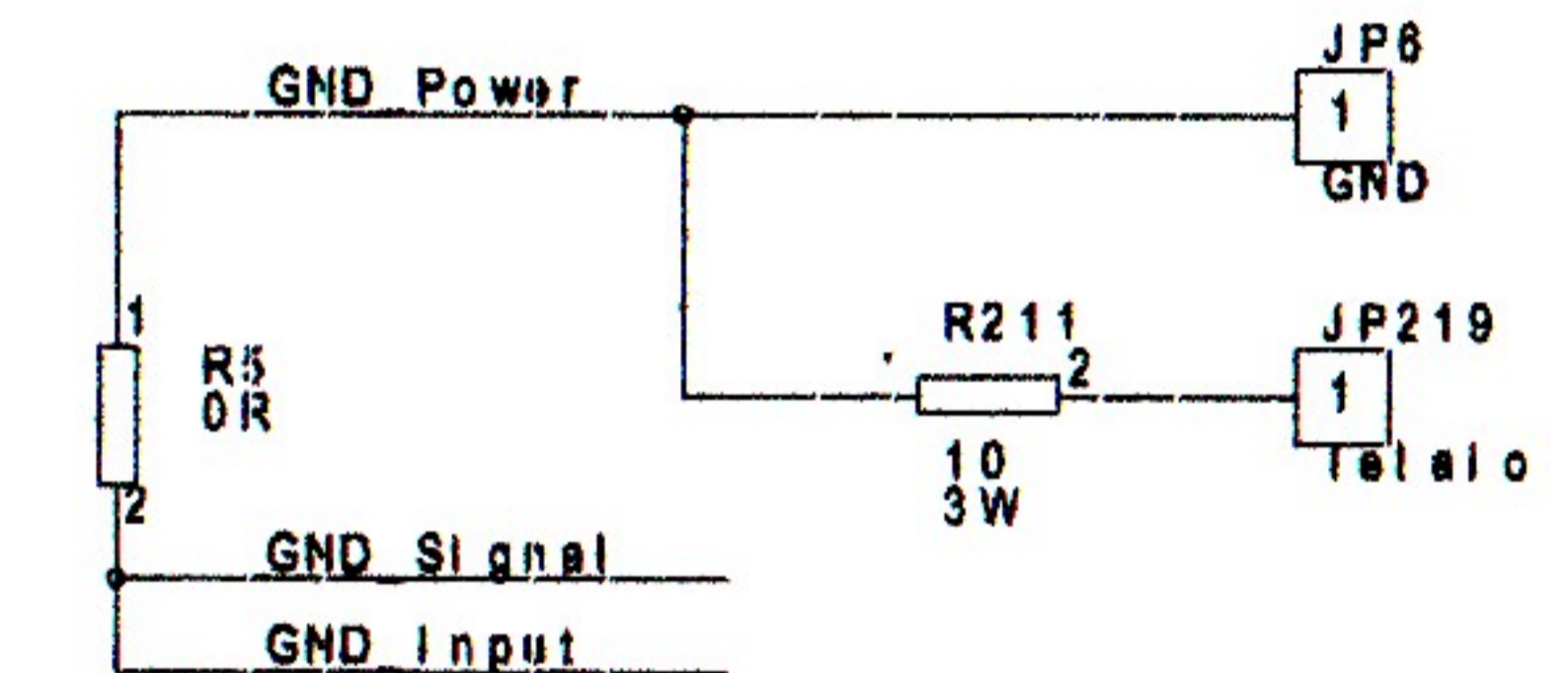


Alimentatore +/- 15V



Valori nominali delle tensioni di alimentazione

Vd	60 V
Va	50 V



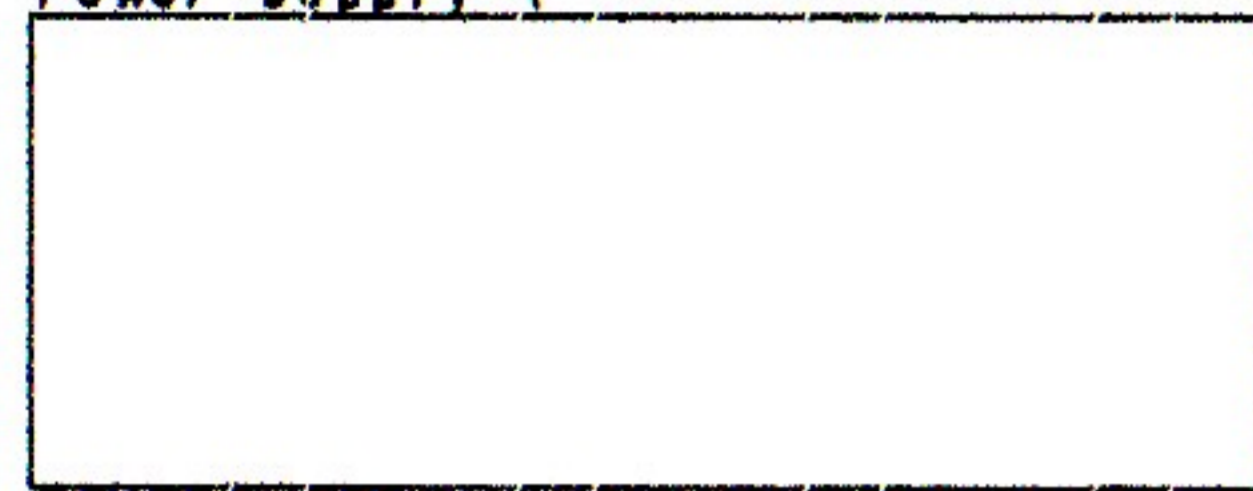
NOTA: Inserire Rd1 e Rd2 se manca la scheda RIAA

A.R.I.A. s.r.l.

Title			UNICO - Hybrid Power Amplifier
Size	Document Number	REV	
A0	Power Supply (1)	b	
Date:	August 31, 2002	Sheet	2 of 7

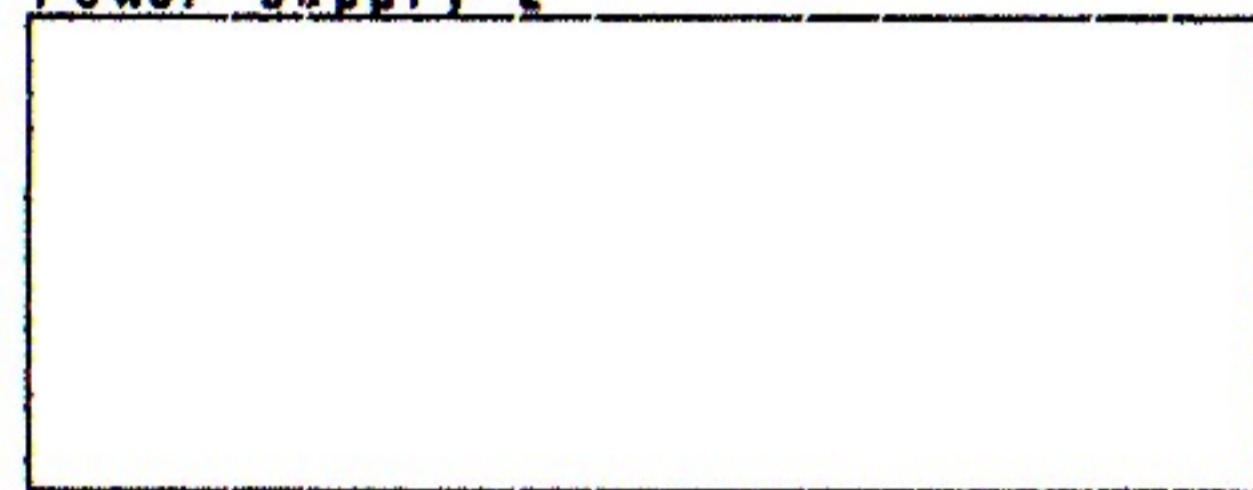
Power supply

Power supply 1



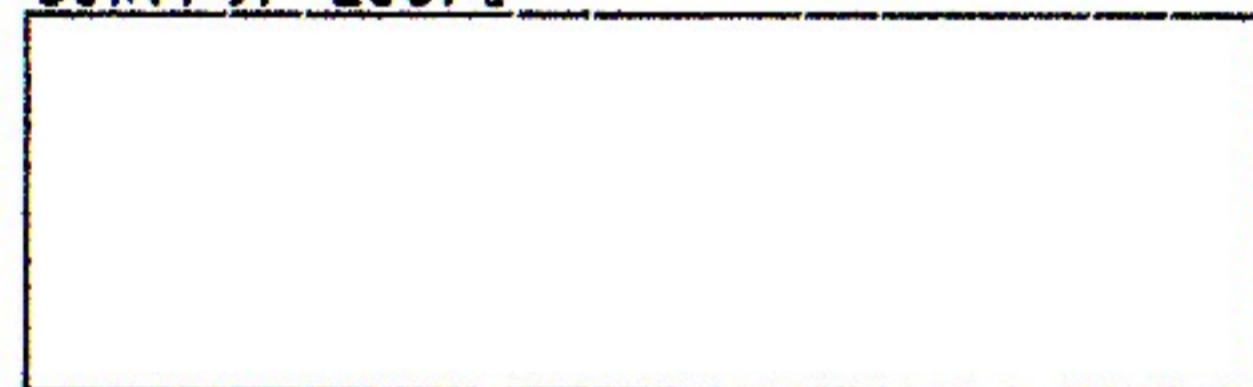
POWER1.SCH

Power supply 2



POWER2.SCH

Control Board

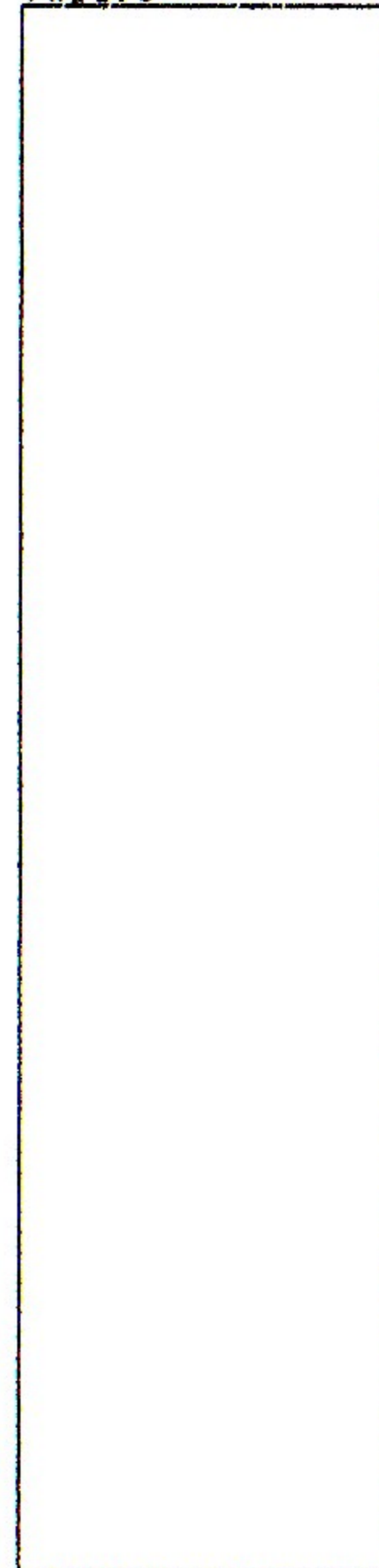


CONTROL.SCH

**Control
SMT Board**

Inputs

Inputs



INPLTS.SCH

Left Channel

Amplifier stage



CHL.SCH

Right Channel

Amplifier stage



CHR.SCH

A.R.I.A. s.r.l.			
Title			
LNICO - Hybrid Power Amplifier			
Size	Document Number	REV	
A0	Block Scheme	b	
Date:	August 31, 2002	Sheet	1 of 7