

# 1122

## STEREO TRANSCRIPTION PREAMPLIFIER



### FEATURES:

---

Precise RIAA/NAB equalization, with standard low frequency roll-off.

High impedance inputs properly match almost all magnetic disc reproducers.

Individual high and low frequency equalization trimmers on each channel.

Separate level controls on each channel.

Extremely low noise and rf susceptibility.

Transformer isolated balanced output.

The 1122 is a two-channel, solid-state, equalized pre-amplifier/line amplifier designed to provide the highest quality disc reproduction for broadcast and recording applications. While primarily intended for stereo use, it may be utilized for two separate monophonic channels.

Any magnetic pickup designed for operation with a 47,000 ohm termination may be used effectively with the Model 1122, and its wide dynamic range provides faithful reproduction from the most demanding recording. Outputs are balanced for 600-ohm or 150-ohm lines (approximately 80 ohms actual). Installation is simple, and with standard grounding practices the 1122 is exceptionally immune to rf interference.

Independent high frequency and low frequency trimmers are provided for each channel, to allow balancing the response of the cartridge.

**JBL**

UREI  
ELECTRONIC  
PRODUCTS

## SPECIFICATIONS

### ELECTRICAL:

Frequency Response:	RIAA/NAB disc playback characteristic within $\pm 1$ dB from 30 Hz to 15 kHz; (NAB 1964 Disc Standard, recommended low frequency roll-off 6 dB/octave, 3 dB down at 20 Hz).
Input Impedance:	47,000 ohms.
Gain:	54 dB, continuously variable.
Distortion:	Less than 0.5% THD at +20 dBm, from 30 Hz to 20 kHz.
Hum and Noise:	At least 60 dB below +6 dBm output, (gain set for +6 dBm output with 5 mV input, 32 Hz to 18 kHz bandpass filter).
Output:	Floating, transformer isolated.
Output Impedance:	For 600 or 150 ohm balanced line (approximately 80 ohm actual).
Channel Separation:	50 dB minimum at 10 kHz. 50 dB minimum at 1 kHz. 42 dB minimum at 100 Hz.
Environment:	Operating within 0.5 dB of all specifications from $-5^{\circ}\text{C}$ to $+55^{\circ}\text{C}$ ( $23^{\circ}\text{F}$ to $131^{\circ}\text{F}$ ).
Power Requirements:	Less than 10 W, 100—125 V AC or 200—250 V AC, 50/60 Hz, strappable.

### PHYSICAL:

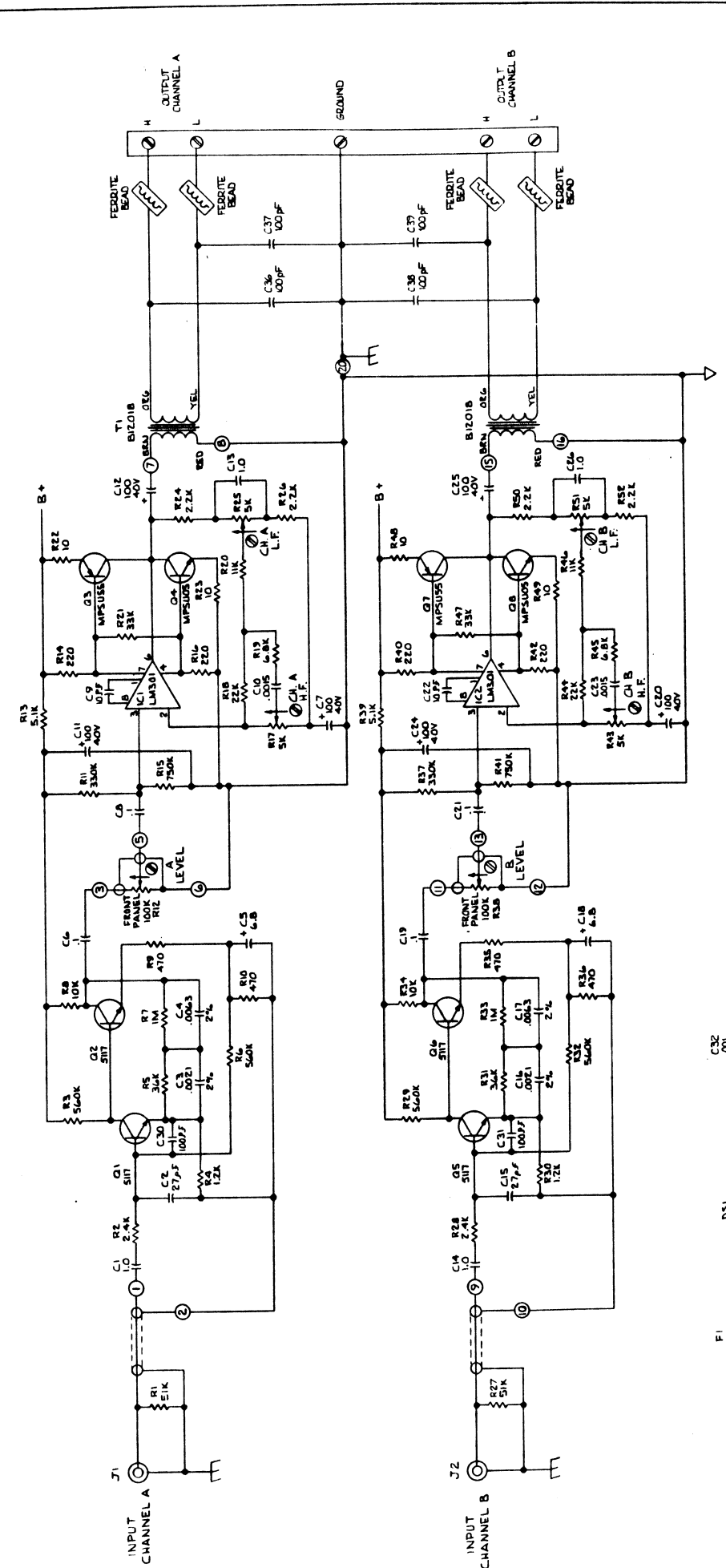
Dimensions:	195 x 95.3 mm rack panel; depth behind panel 232 mm (7 11/16 in x 3 3/4 in x 9 1/8 in).
Finish:	Panel is 3.18 mm (1/8 in) brushed black anodized aluminum. Chassis is cadmium plated steel.
Weight:	2.67 kg (5 lb, 14 oz.)
Shipping Weight:	3.18 kg (7 lb).

### CONTROLS:

Channel Level:	Located on the front panel and marked "A Level" and "B Level." Used to adjust the overall operating level and to balance the individual levels of the two channels.
Response Trimmers:	Located inside the unit on the PC-board. Used to balance the response of the two channels of a stereo cartridge, or of two monophonic cartridges. High and low frequency response trimmers are provided for each channel.

### CONNECTIONS:

Input:	RCA-type jacks on the rear panel.
Output:	Barrier strip terminal on the rear panel.

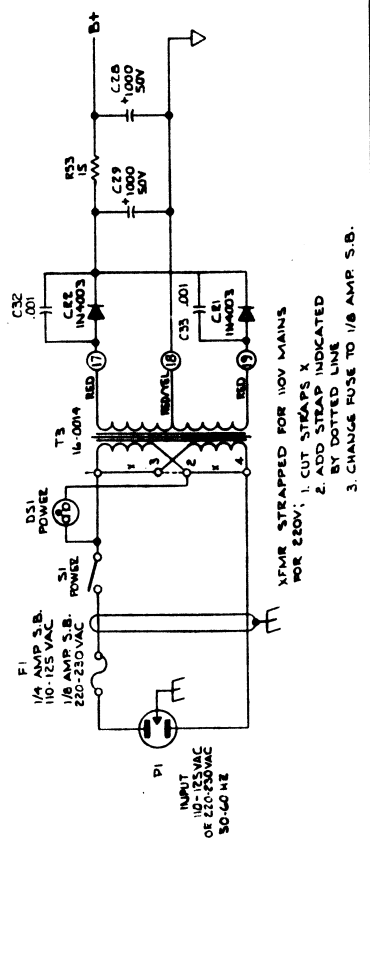


D	PER EO 0091
	12-7-77 R.P.M.
C	4-26-77 BOM
	SAME DIRECTION
B	PER EO 0007
	2-10-76 D.M.
A	PER EO 0072
	12-15-75 L.E.

UNITED STATES	DATE
INDUSTRIES	6-5-75
1122	REVISED
LOS ANGELES	DESIGNED BY
CALIFORNIA	L.E.
	D12077

3. Q1 AND Q2 ARE 2N5110 OR EQUIV. SMT  
 2. RESISTOR VALUES ARE IN OHMS UNLESS NOTED  
 1. CAPACITOR VALUES ARE IN MICROFARADS

NOTE:



XFMR STRAPPED FOR 10V MAINS FOR 220V. 1. CUT STRAPS X  
 2. ADD STRAP INDICATED  
 3. CHANGE FUSE TO 1/8 AMP 5.0V