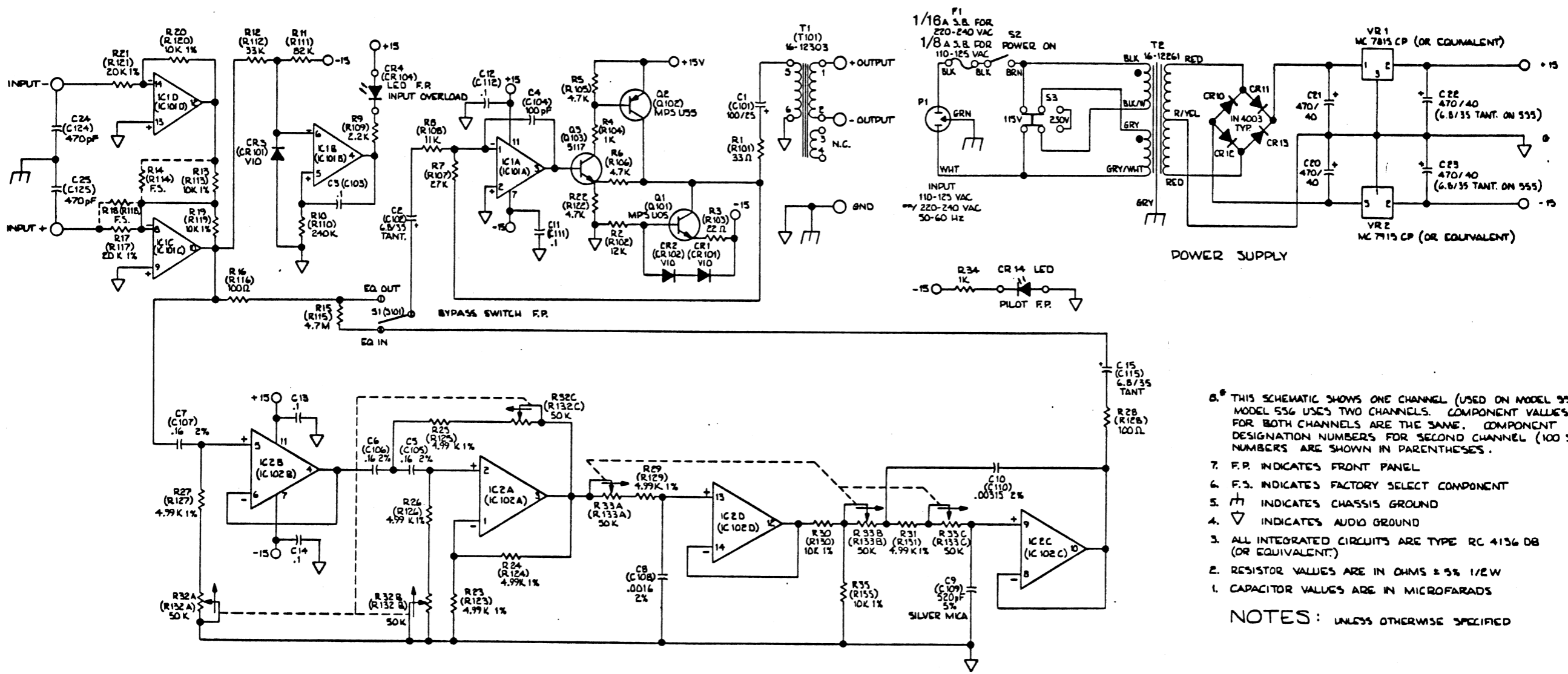


REVISIONS				
ZONE	LTR	DESCRIPTION	DATE	APPROVED



8. THIS SCHEMATIC SHOWS ONE CHANNEL (USED ON MODEL 555). MODEL 556 USES TWO CHANNELS. COMPONENT VALUES FOR BOTH CHANNELS ARE THE SAME. COMPONENT DESIGNATION NUMBERS FOR SECOND CHANNEL (100 SERIES NUMBERS ARE SHOWN IN PARENTHESES).

- 7. F.P. INDICATES FRONT PANEL
- 6. F.S. INDICATES FACTORY SELECT COMPONENT
- 5.  $\perp$  INDICATES CHASSIS GROUND
- 4.  $\nabla$  INDICATES AUDIO GROUND
- 3. ALL INTEGRATED CIRCUITS ARE TYPE RC 4136 DB (OR EQUIVALENT)
- 2. RESISTOR VALUES ARE IN OHMS  $\pm$  5% 1/2W
- 1. CAPACITOR VALUES ARE IN MICROFARADS

NOTES: UNLESS OTHERWISE SPECIFIED

UNLESS OTHERWISE SPECIFIED DIMENSIONS ARE IN INCHES TOLERANCES ARE: FRACTIONS .XX ± DECIMALS .XXX ± ANGLES ° ±		CONTRACT NO.	UNITED RECORDING ELECTRONICS INDUSTRIES 1704 14TH ST. STREET, LOS ANGELES, CALIFORNIA 90015
MATERIAL		APPROVALS	
FINISH		DATE	<b>SCHEMATIC BANDPASS FILTER</b>
NEXT ASSY USED ON		CHECKED	
APPLICATION		DO NOT SCALE DRAWING	SIZE: <b>D</b> MODEL NO: <b>555</b> DRAWING NO: <b>12519</b>
			SCALE:      SHEET OF