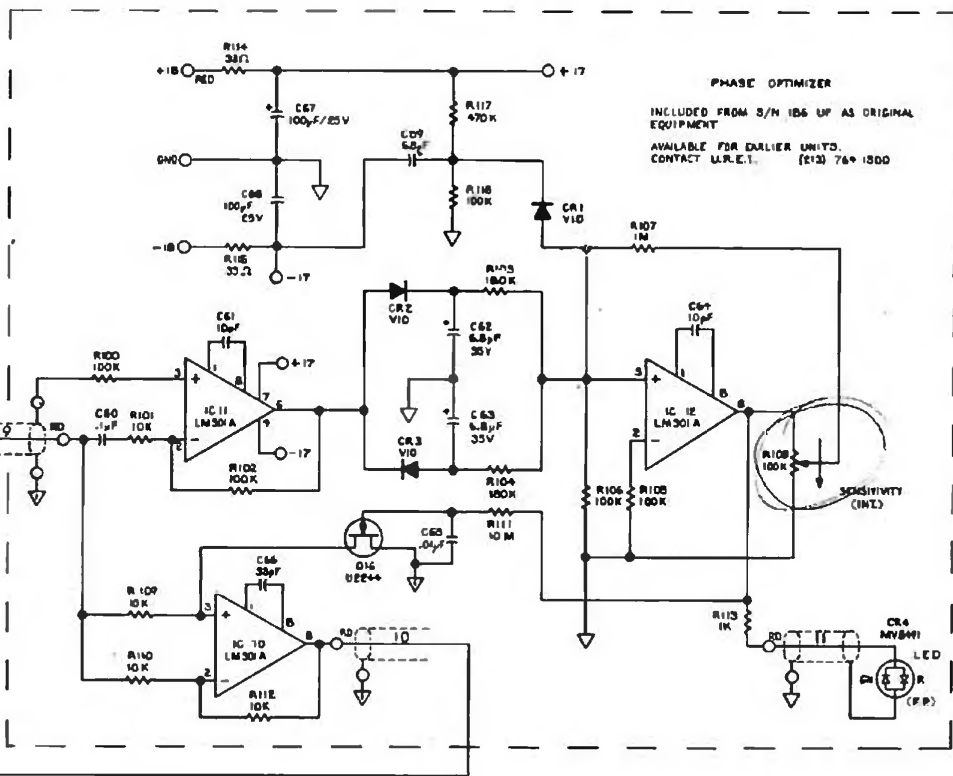


RMS METER TRACKING

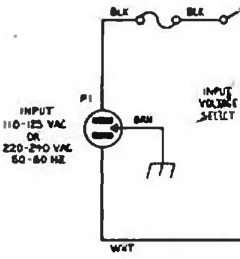
0244

RMS ZERO (F.P.)

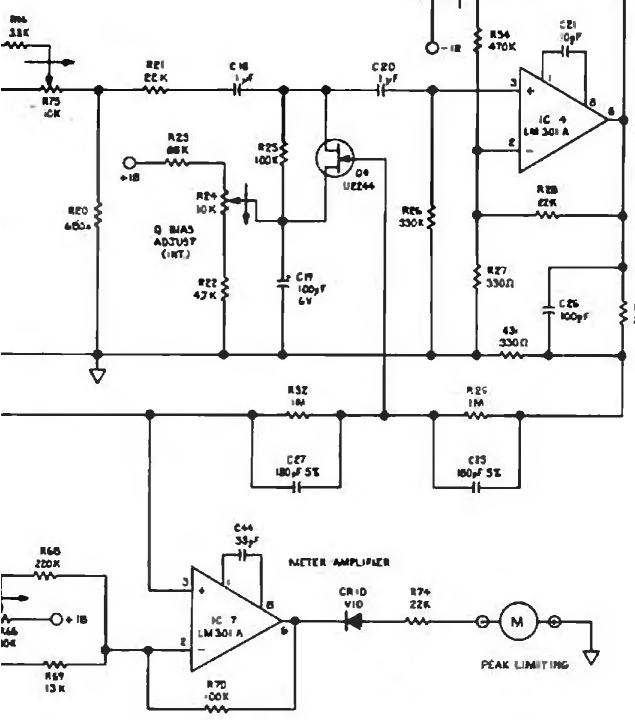
T+C



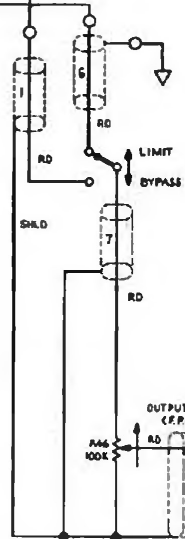
F1
1/16A 5.0 FOR 220-240VAC
1/0A 5.0 FOR 110-125VAC



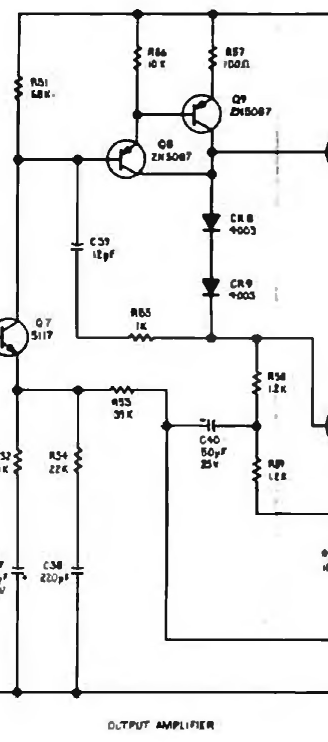
PEAK LIMITING



PEAK PROGRAM AMPLIFIER

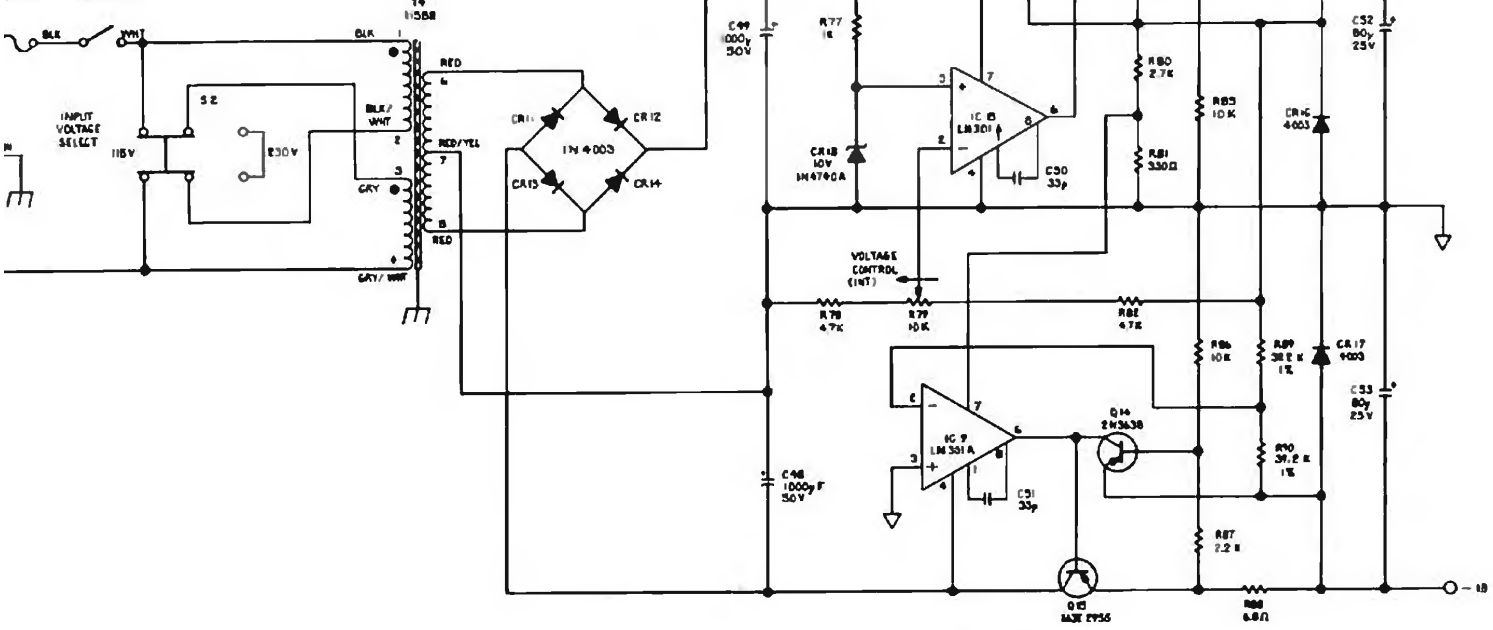


OUTPUT LEVEL (F.P.)



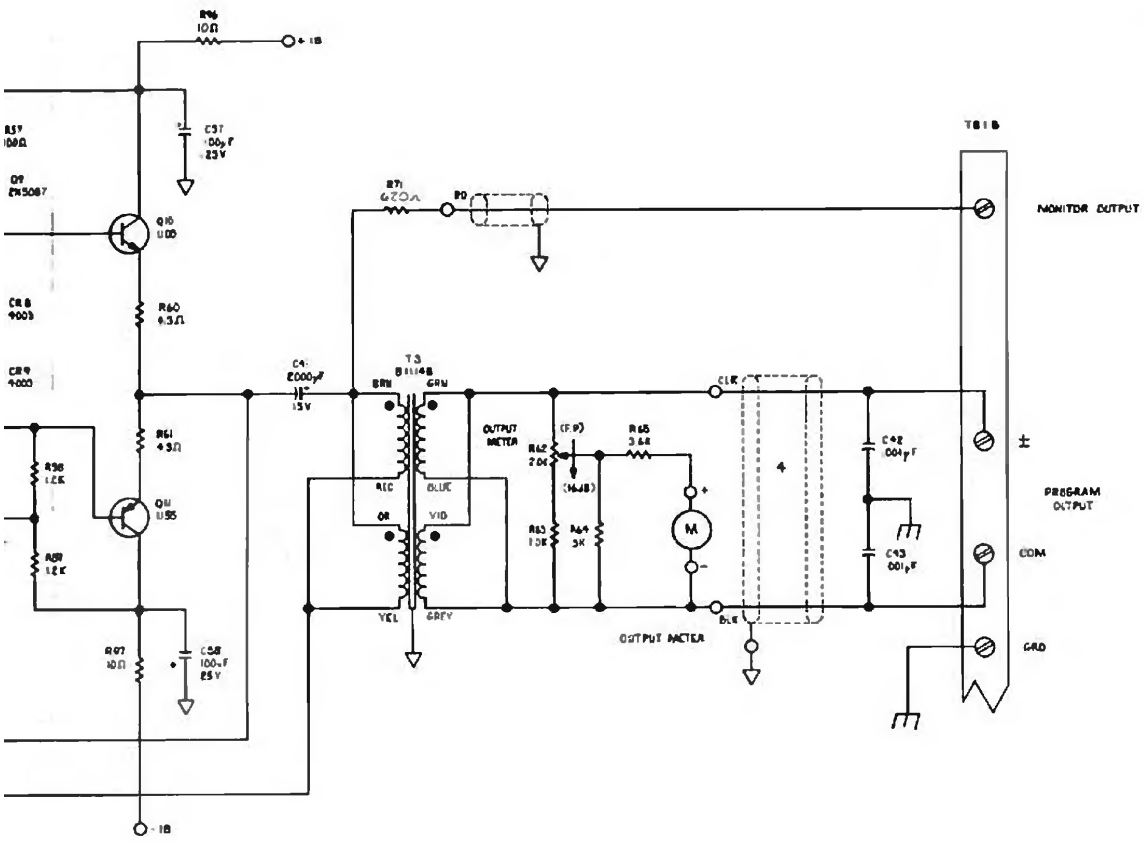
OUTPUT AMPLIFIER

1.5R FOR 240VAC
 S.B FOR 25 WAC



REGULATED POWER SUPPLY

- NOTES: UNLESS OTHERWISE SPECIFIED
1. RESISTOR VALUES ARE IN OHMS, 20%, 1/2 W
 2. ∇ INDICATES AUDIO GROUND
 3. ∇ INDICATES COMMON GROUND
 4. $\text{---}\text{---}$ INDICATES CHASSIS GROUND
 5. $\text{---}\text{---}$ INDICATES C.W DIRECTION



REV A PER EO 0083 LE 9-27-74
 S/N 2671

UNITED INDUSTRIES	BL 40 SCHEMATIC	
	REV	DATE
BL 40	6-28-74	
LOS ANGELES CALIFORNIA	BCM	R 11965