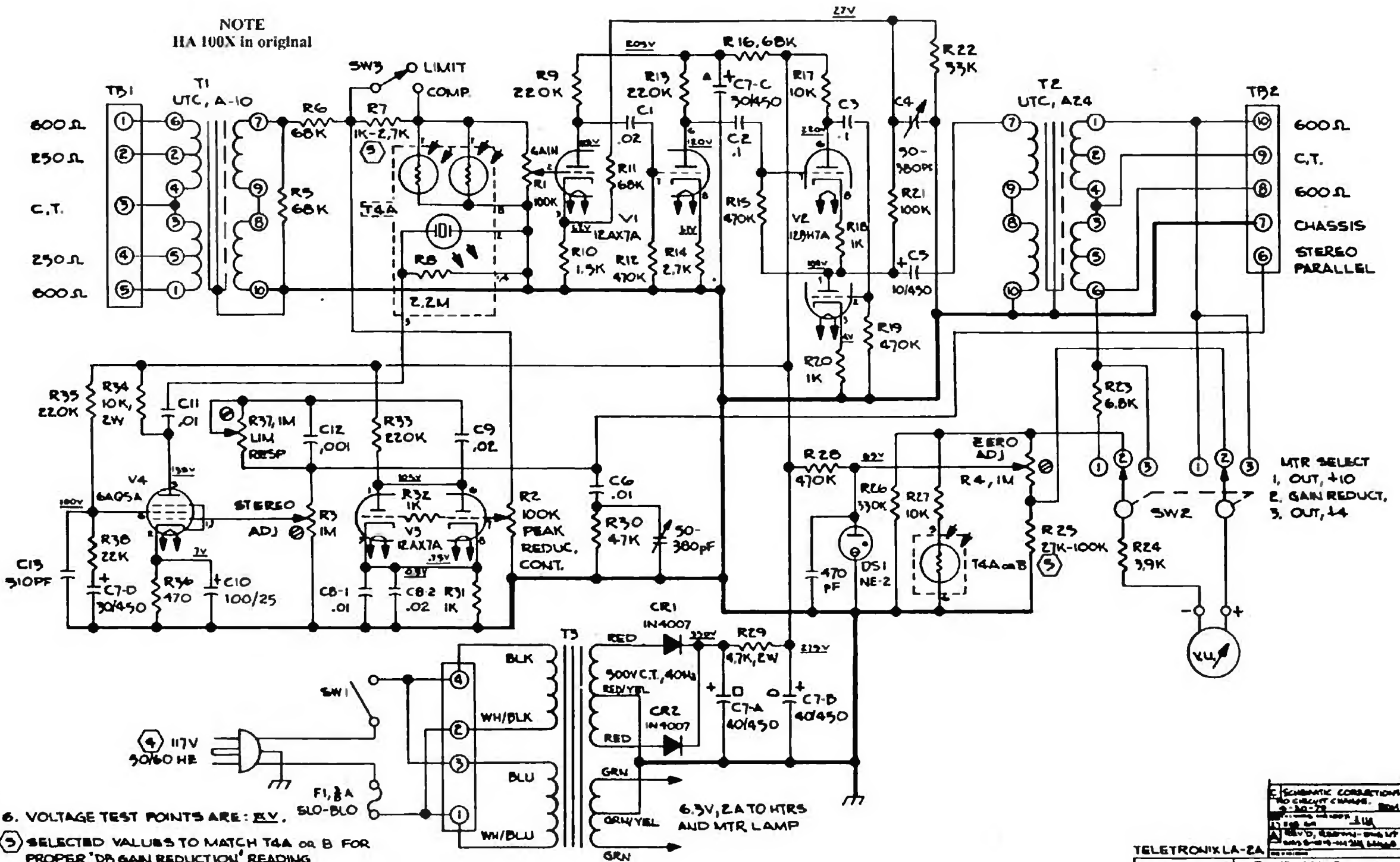


NOTE  
HA 100X in original



6. VOLTAGE TEST POINTS ARE: 2V.

5. SELECTED VALUES TO MATCH T4A OR B FOR PROPER 'DB GAIN REDUCTION' READING.

4. FOR 220V CONNECTION, SEE MANUAL.

3. PATENT NO 3258707 ON PORTIONS OF THIS EQUIPMENT.

2. CAPACITORS IN UFD.

1. RESISTORS IN OHMS, 1/2 W, 5%.

NOTES, UNLESS SPECIFIED:

SCHEMATIC CORRECTIONS  
NO CIRCUIT CHANGE.  
9-30-77  
BY: [Signature]  
DATE: [Date]  
APPROVED: [Signature]

TELETRONIX LA-2A		SCHEMATIC, LEVELING AMPLIFIER	
UNITED ELECTRONICS INDUSTRIES	C-10953 C		
REP: JJA	DATE: 04/14/68	REV: 3	
LOS ANGELES CALIFORNIA	CH-28	APPROVED:	