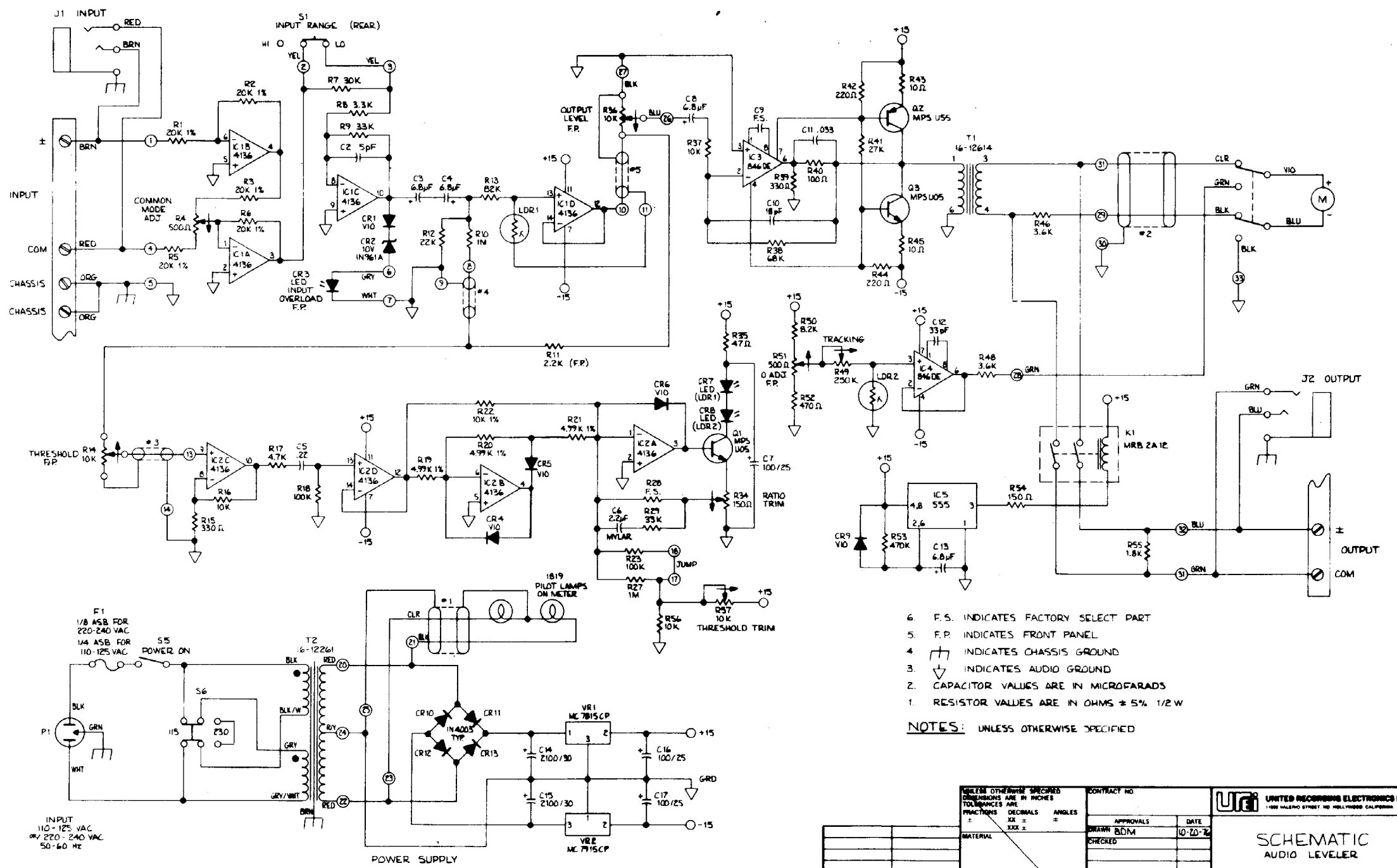


REVISIONS		DATE	APPROVED
ZONE	LTR		



INPUT
 110-125 VAC
 OR 220-240 VAC
 50-60 Hz

6. F.S. INDICATES FACTORY SELECT PART
5. F.P. INDICATES FRONT PANEL
4. F.T. INDICATES CHASSIS GROUND
3. ∇ INDICATES AUDIO GROUND
2. CAPACITOR VALUES ARE IN MICROFARADS
1. RESISTOR VALUES ARE IN OHMS ± 5% 1/2 W

NOTES: UNLESS OTHERWISE SPECIFIED

UNLESS OTHERWISE SPECIFIED DIMENSIONS ARE IN INCHES TOLERANCES ARE:		CONTRACT NO.		UNITED RECORDING ELECTRONICS INDUSTRIES 1188 VALLEJO STREET RD HOLLWOOD CALIFORNIA 90038	
FRACTIONS	DECIMALS	ANGLES	APPROVALS	DATE	DRAWN BDM CHECKED
±	±	±		10-20-76	
MATERIAL	FINISH	APPLICATION	SCALE		
			D LA 5 12646		
			DRAWING NO. 12646		
			SHEET 1 OF 1		