

Technical Manual

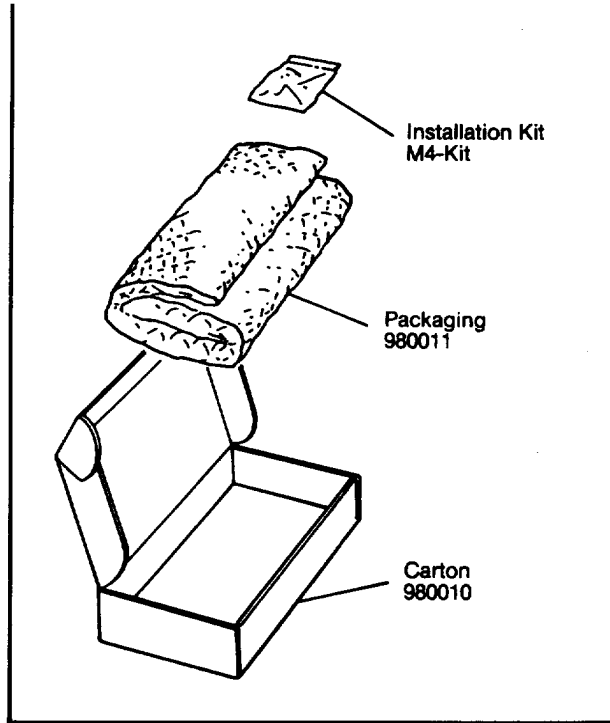
UREI MIN1 MONO INPUT MODULE



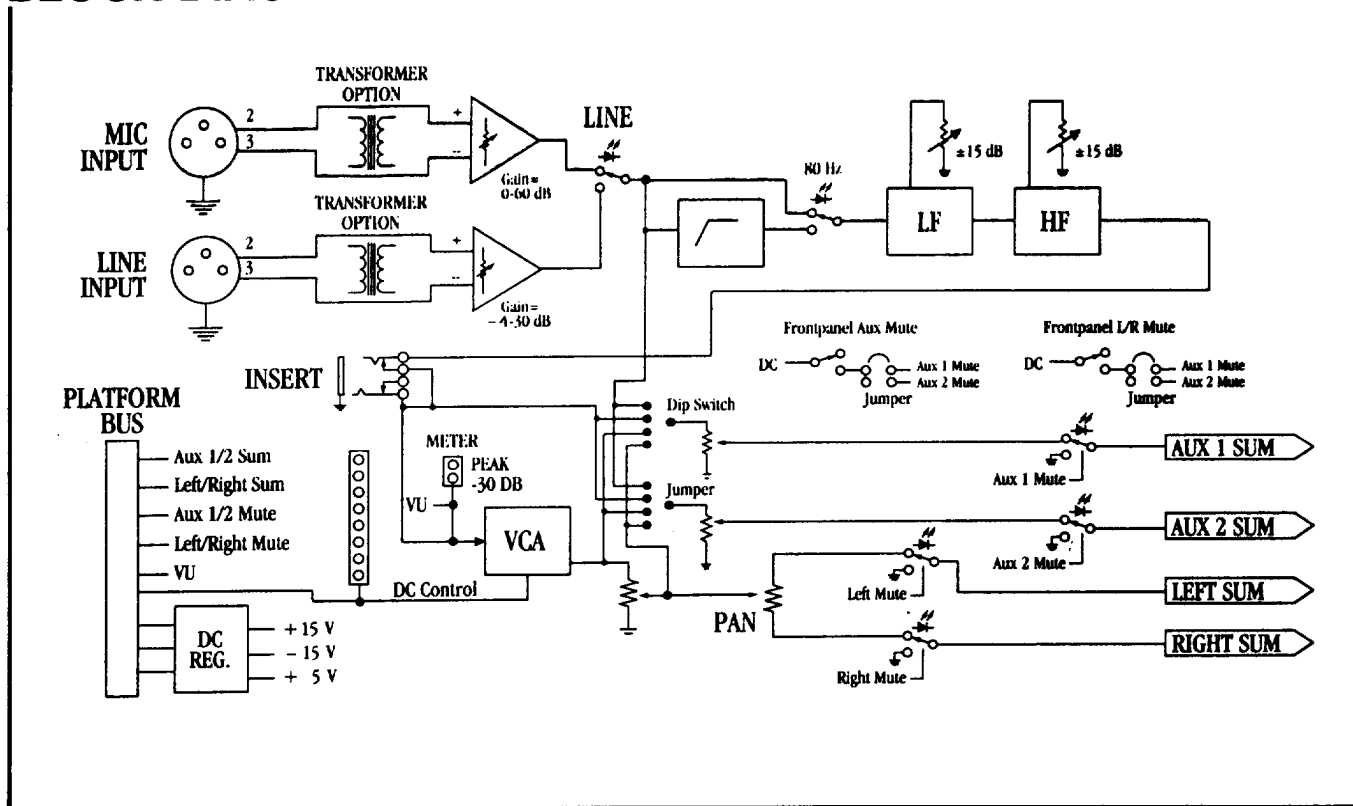
SPECIFICATIONS

- Input: Balanced, transformer optional
- Input Impedance: > 20k ohms
- Insert Input Impedance: > 20k ohms
- Maximum Input Level: +20 dB
- Frequency Response: 20 Hz to 20 kHz ± 0.5 dB
- Input Pre-amp Gain Range: 0 to 60 dB (mic); -4 to 30 dB (line)
- High-pass Filter: 80 Hz shelving, 18 dB/octave
- Module Gain Range: $-\infty$ to +10 dB (main and auxiliaries)
- Gate Attenuation: 0 to -60 dB
- Mute Attenuation: -89 dB
- Maximum Output Level: +20 dB into 600 ohms
- Dynamic Range: > 110 dB
- Phantom Power: +15V DC
- Controls: User adjustable potentiometers for input gain, high-frequency and low-frequency equalization. Auxiliary 1 and 2 output gains, main output gain and pan. Pushbuttons for mic/line input switch; high-pass filter; Mute switch for Aux 1, Aux 2, or both; Mute switch for left, right, or both. Rear-panel screwdriver-accessible switch for phantom power.
- Computer Control or Monitoring: Aux 1 mute, Aux 2 mute, Left mute, Right mute, VCA volume VU
- Indicators: -30 dB and Peak (+16 dB) input level LEDs, 8-segment LED VCA level display. LED indicators for line input selection, high-pass filter, Aux 1 mute, Aux 2 mute, Left mute, Right mute. Rear-panel LED indicator for phantom power on.
- Connectors: Input and Output: XLR-type 3 pin (pin 2 high)
Insert: 6.3mm (1/4 in.) phone jack send/return
- Front Panel Dimensions: 31 x 132mm (1-3/16 x 5-1/8 in.)
- Finish: Black anodized
- Required Equipment: UREI Platform RACK1, OUT1 module

PACKAGE

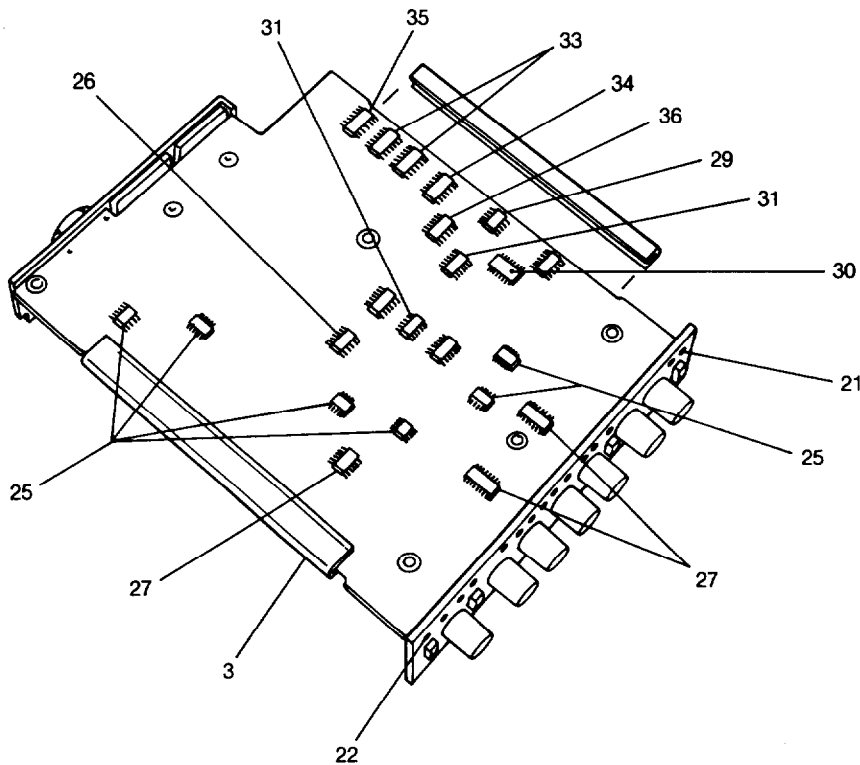
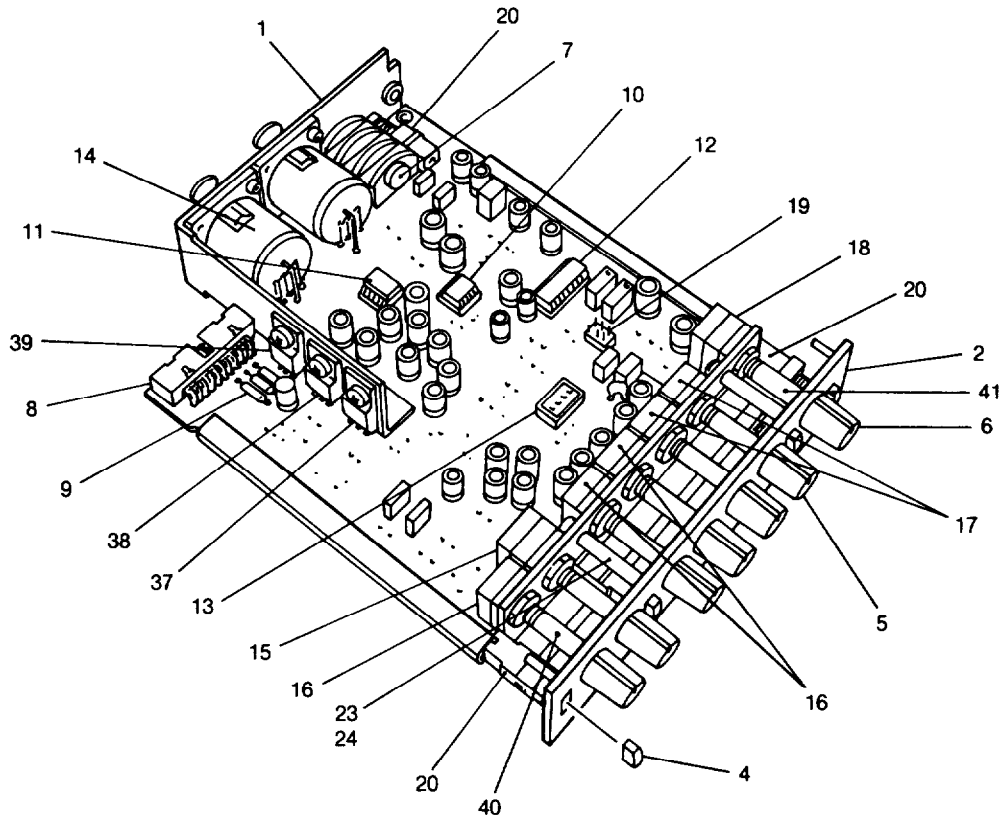


BLOCK DIAGRAM



UREI MIN1

COMPONENT EXPLODED VIEW



UREI MIN1

COMPONENT PARTS LIST

	Part Number	Qty	Description	Ref. Des.
1	771011	1	Back Panel, MIN1	
2	771010	1	Front Panel, MIN1	
3	770200	2	Module Protector	
4	790010	4	UREI Push Button, blk	
5	790002	3	Knob, UREI, blue line	
6	790001	4	Knob, UREI, white line	
7	720001	1	Jack, 1/4" St, PC mt	CON201
8	722220	1	IDC20, Male, Rt Angle	CON1
9	005010	3	Axial Fuse Resistor, 10R	F1, F2, F3
10	623017	1	IC, SSM2017	IC101
11	623141	1	IC, SSM2141	IC115
12	623018	1	IC, SSM2018	IC202
13	710504	1	DIP switch, 4 pole	SW600
14	720021	2	XLR F, PC mt, Rt angle	CON101, CON120
15	193310	1	Pot, dual, 10KA, Lin, w/ c. det.	P604
16	181310	3	Pot, 10KB, Log	P601, P602, P603
17	183310	2	Pot, 10KA, Lin, w/ c. det.	P151, P152
18	192310	1	Pot, dual, 10KC, inv. log	P604
19	720206	1	Header, 2x3	CON0
20	710002	5	Sw, push, DPDT	SW100, SW102, SW601, SW801, SW802
21	403001	14	LED, Red, 2mA	D100, D406, D501, D502, D503, D504, D505, D506, D507, D508, D805, D806, D807, D808
22	403002	3	LED, Grn, 2mA	D405, D902, D903
23	772502	2	Lockwasher, ext, M3	
24	772112	2	Scrw, M3x6mm	
25	650833	8	SMD IC, LM833M/MC33078D	IC120, IC121, IC200, IC203, IC205, IC600, IC602, IC603
26	650064	1	SMD IC, TL064	IC401
27	650339	3	SMD IC, LM339	IC402, IC501, IC502
28	650442	2	SMD IC, DG442DY	IC804, IC812
29	650034	1	SMD IC, TL034	IC810
30	654066	1	SMD IC, 4066	IC808
31	654001	2	SMD IC, 4001	IC809, IC811
32	654030	1	SMD IC, 4030	IC807
33	654051	2	SMD IC, 4051	IC805, IC806
34	654053	1	SMD IC, 4053	IC802
35	654520	1	SMD IC, 4520	IC801
36	657259	1	SMD IC, 74HC/HCT259	IC803
37	647805	1	IC, LM7805, TO220	IC903
38	647915	1	IC, LM7915, TO220	IC902
39	647815	1	IC, LM7815, TO220	IC901
40	150001	5	Shaft, Single Pot	
41	150002	2	Shaft, Dual Pot	
42				
43				
44				
45				
46				
47				
48				
49				