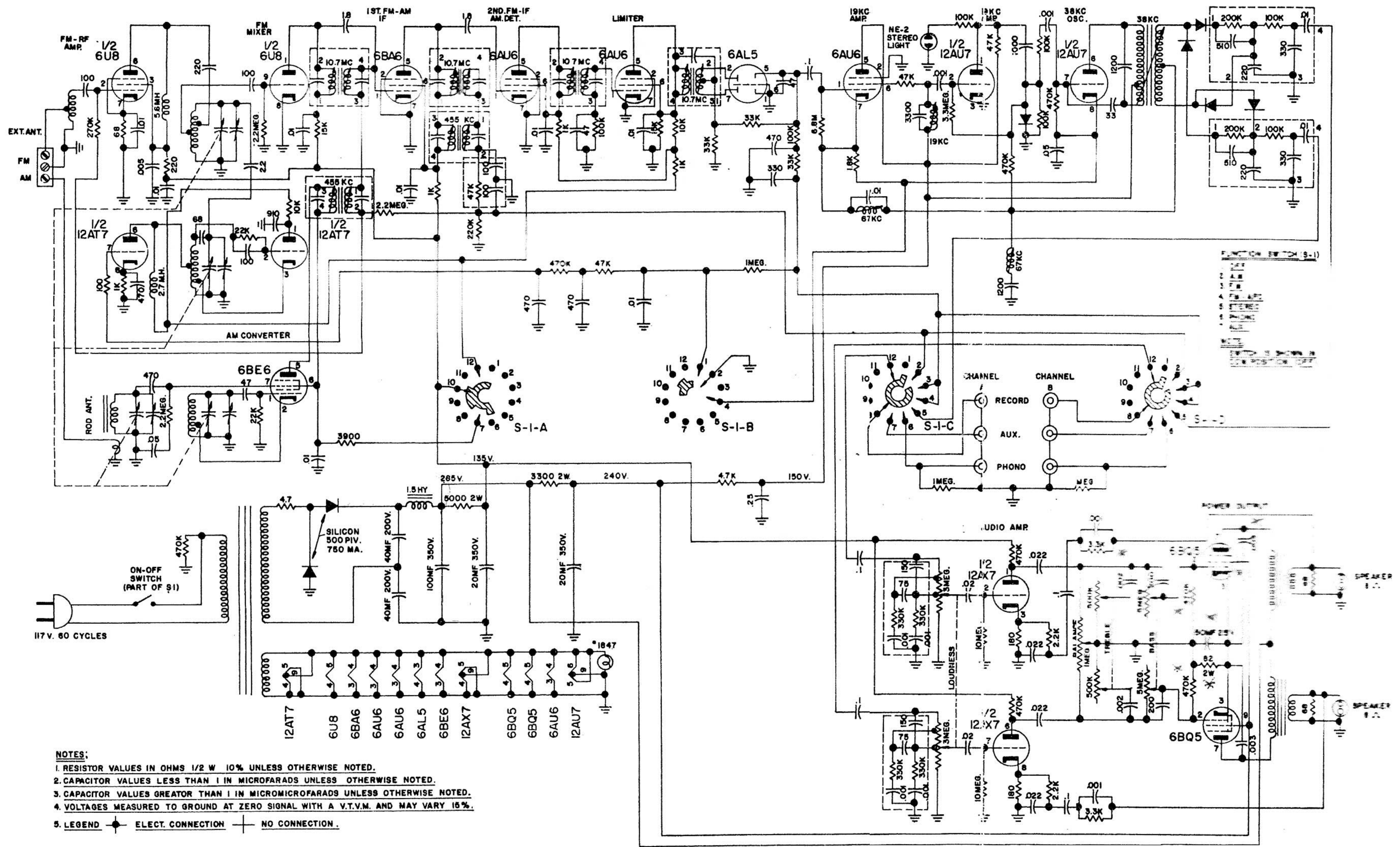


V.M Model 1467 Combination High-Fidelity FM Stereo, FM-AM Component Radio Tuner and Stereo Amplifier



- NOTES:**
 1. RESISTOR VALUES IN OHMS 1/2 W 10% UNLESS OTHERWISE NOTED.
 2. CAPACITOR VALUES LESS THAN 1 IN MICROFARADS UNLESS OTHERWISE NOTED.
 3. CAPACITOR VALUES GREATER THAN 1 IN MICROMICROFARADS UNLESS OTHERWISE NOTED.
 4. VOLTAGES MEASURED TO GROUND AT ZERO SIGNAL WITH A V.T.V.M. AND MAY VARY 15%.
 5. LEGEND \bullet ELECT. CONNECTION $+$ NO CONNECTION.

CIRCUIT DIAGRAM