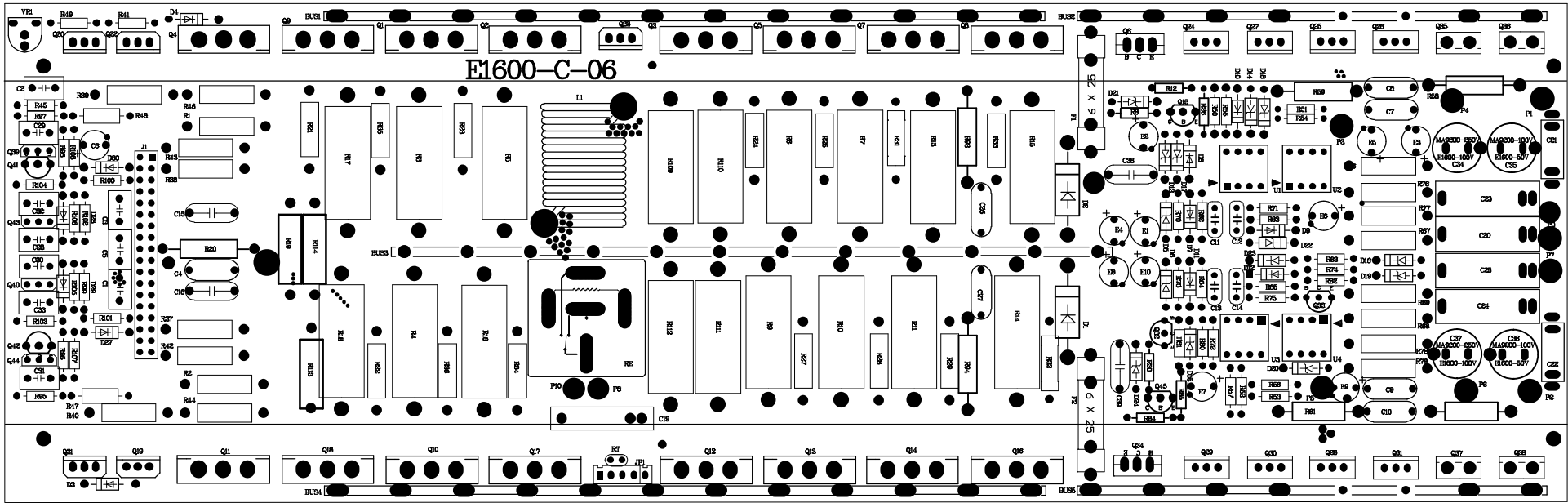
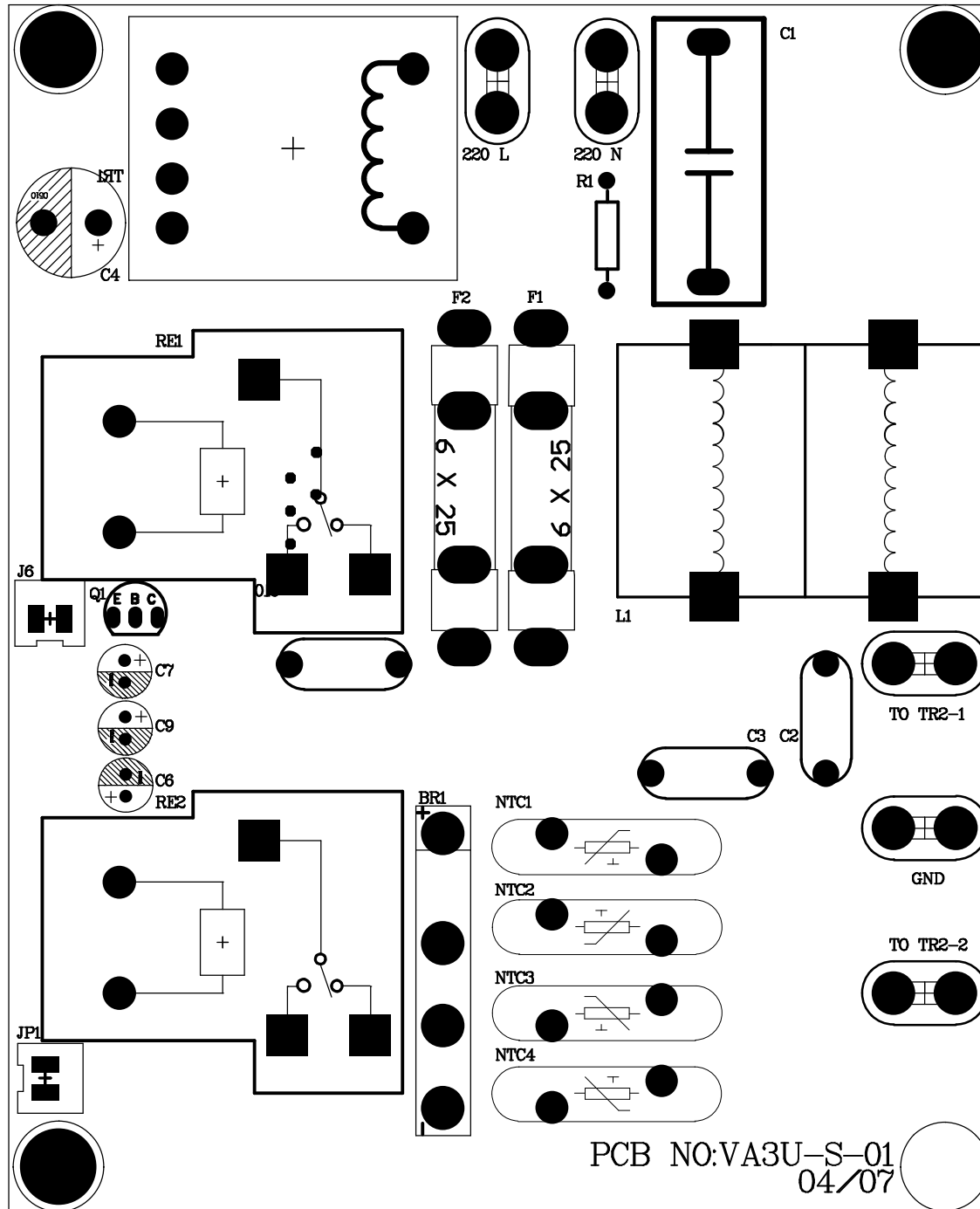
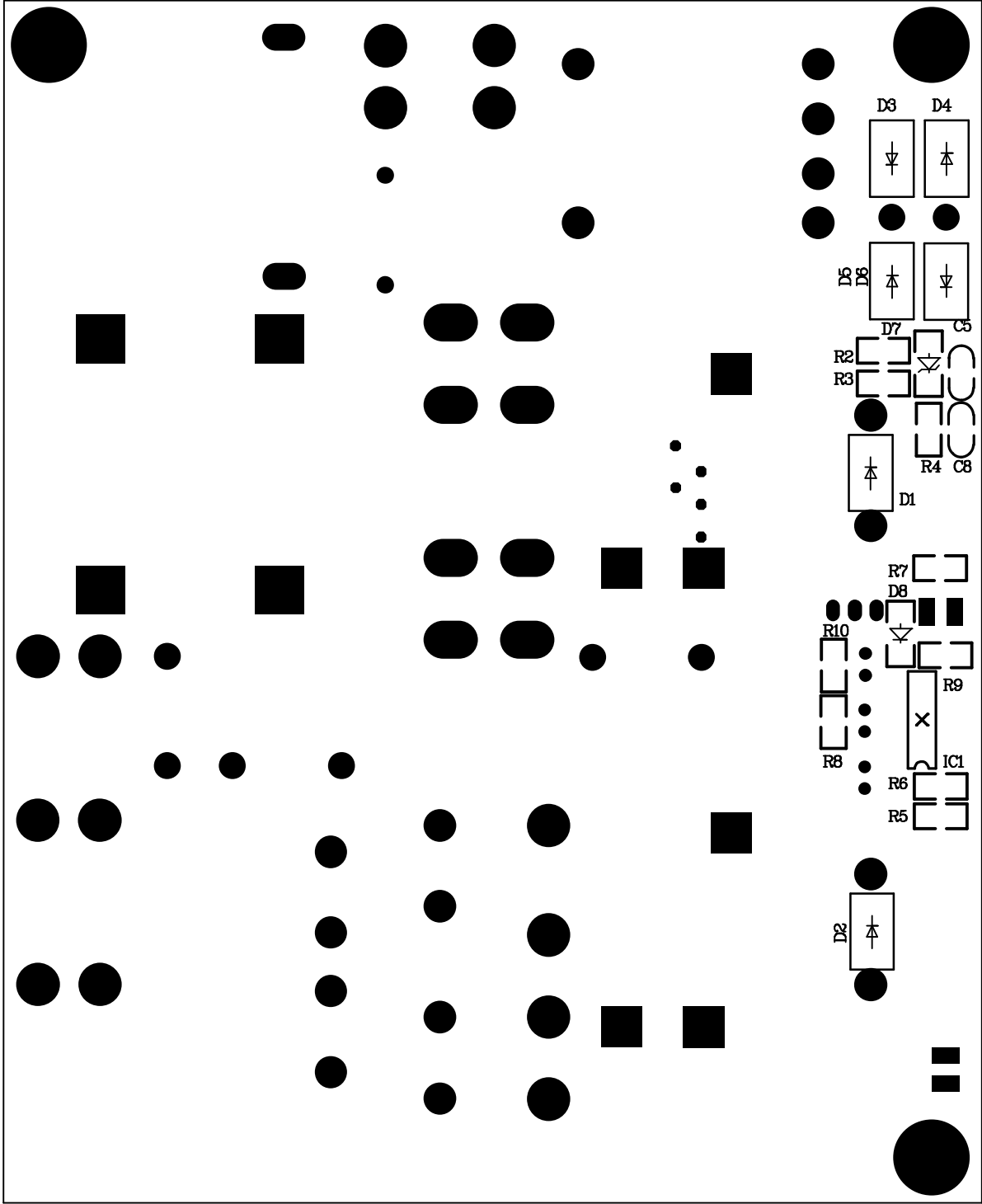
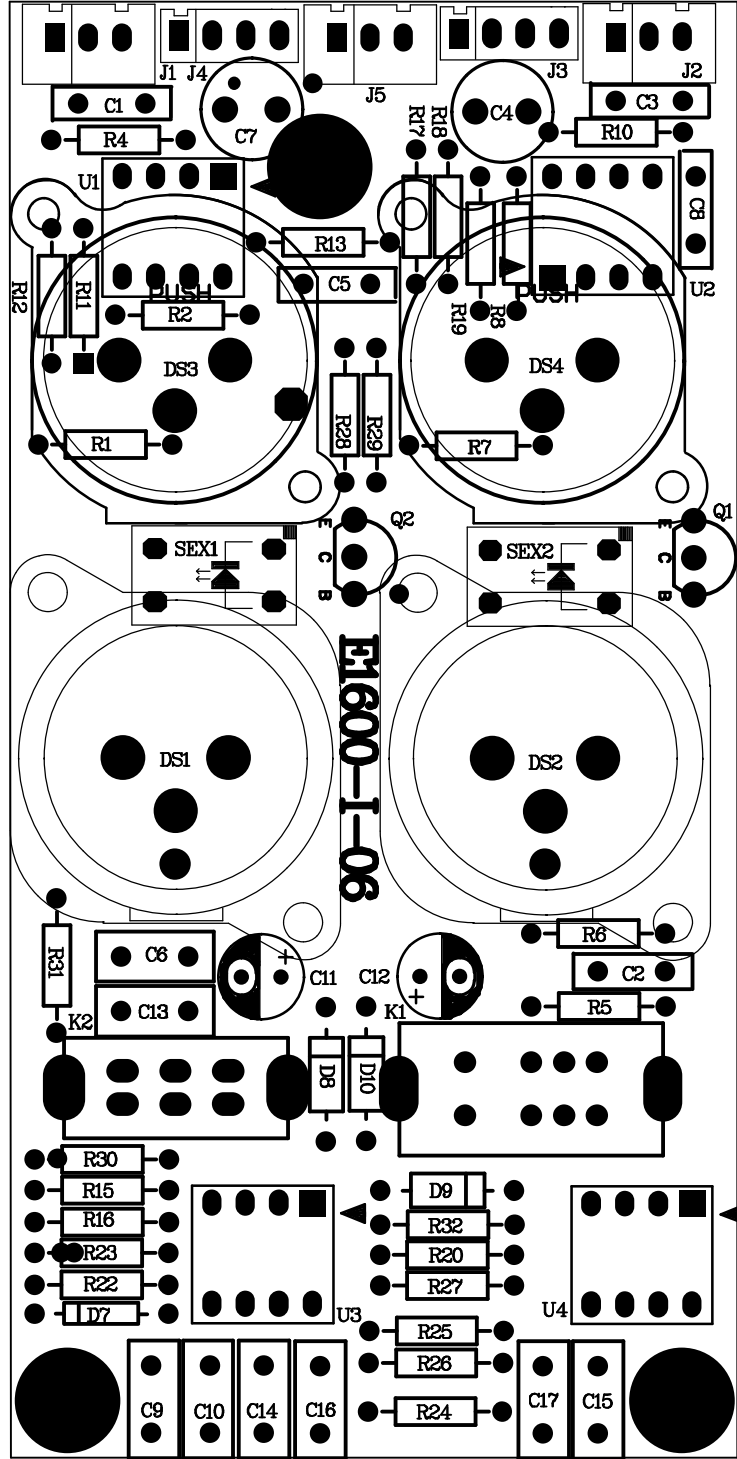


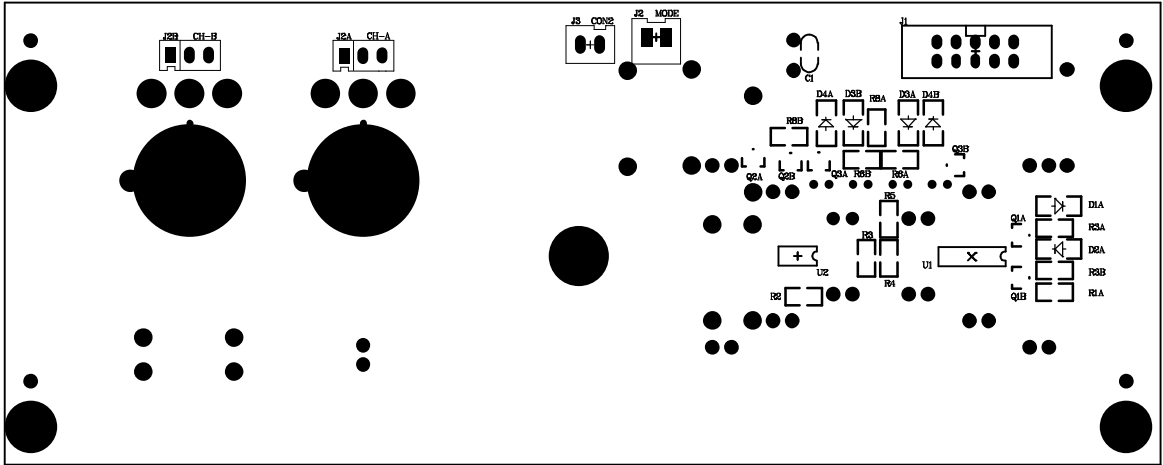
E1600-F-06

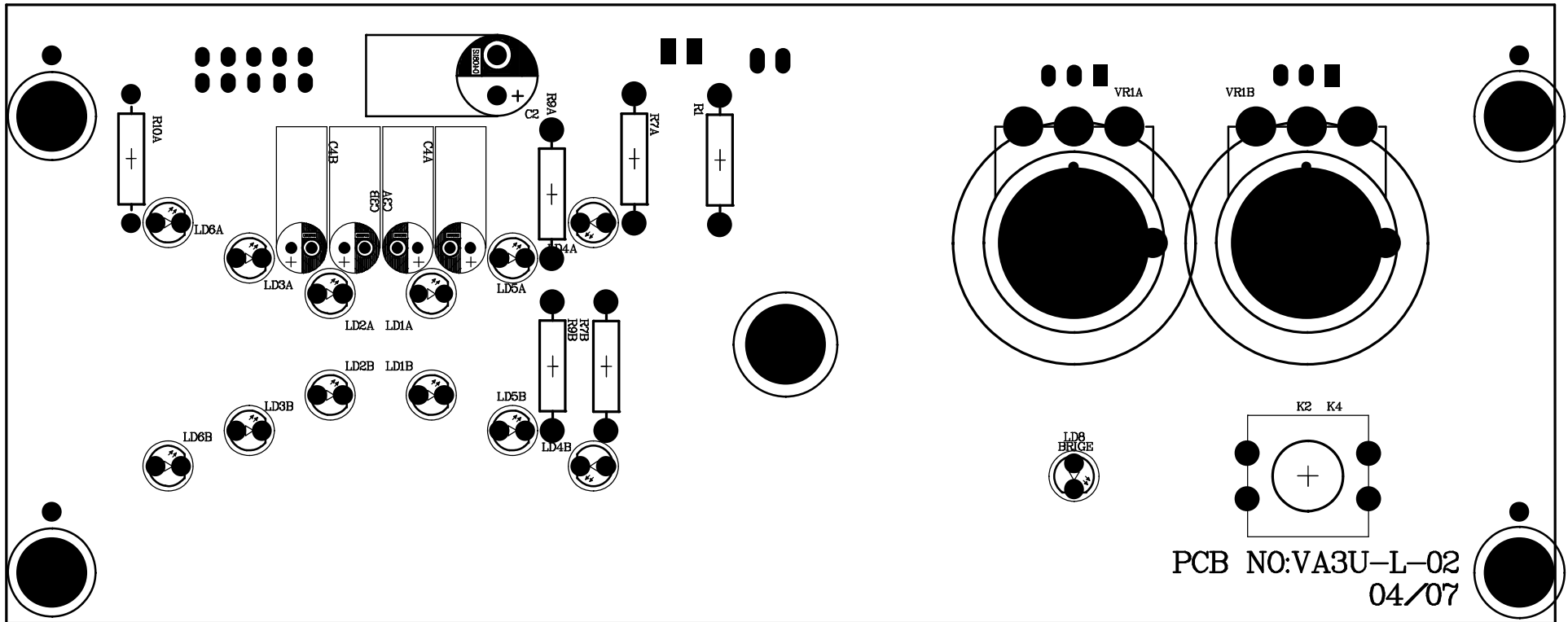




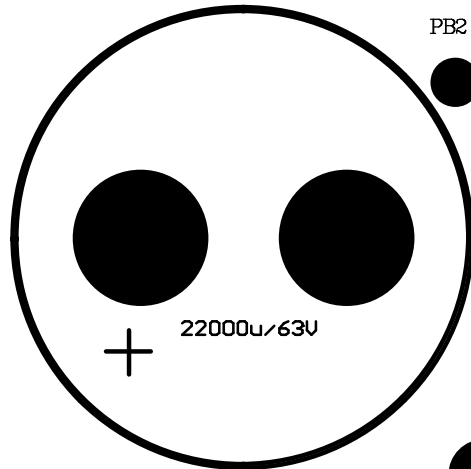




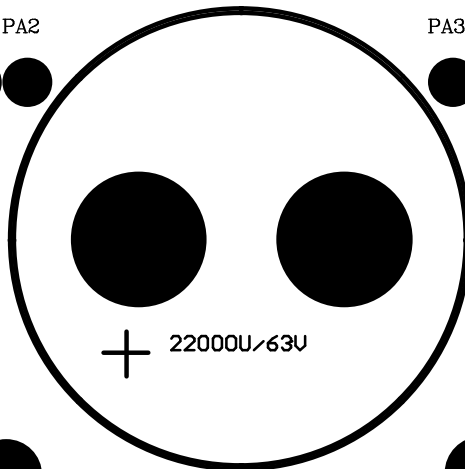




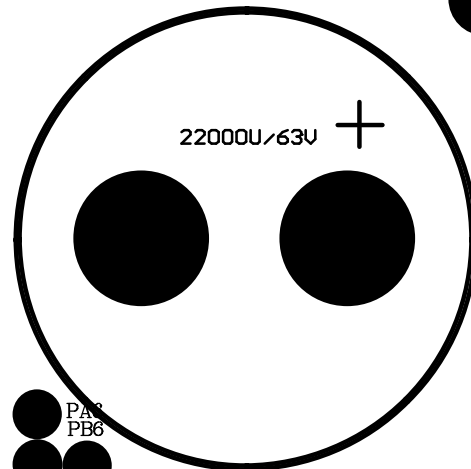
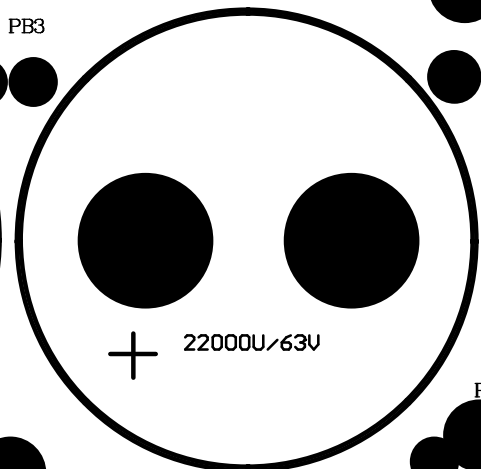
E1600-P-06



PB2 PA2

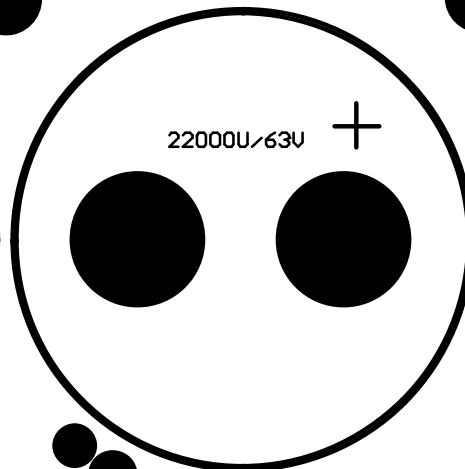


PA3 PB3



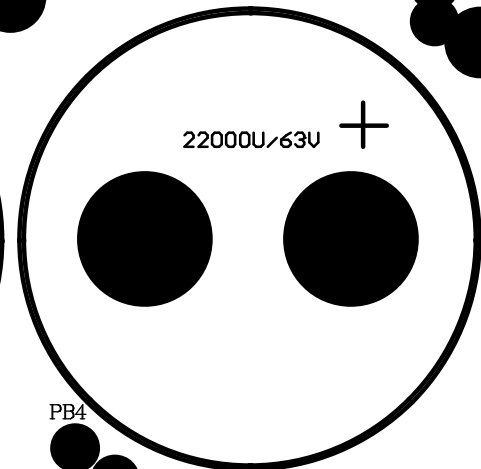
PA5
PB6

BR3



BR2

PA5

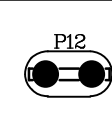
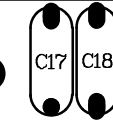
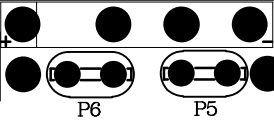
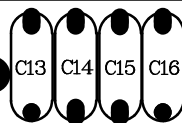
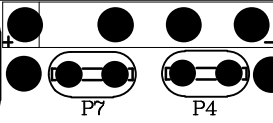
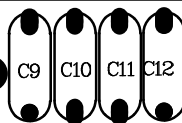
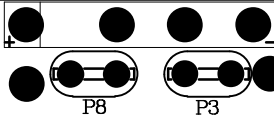
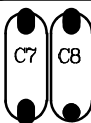


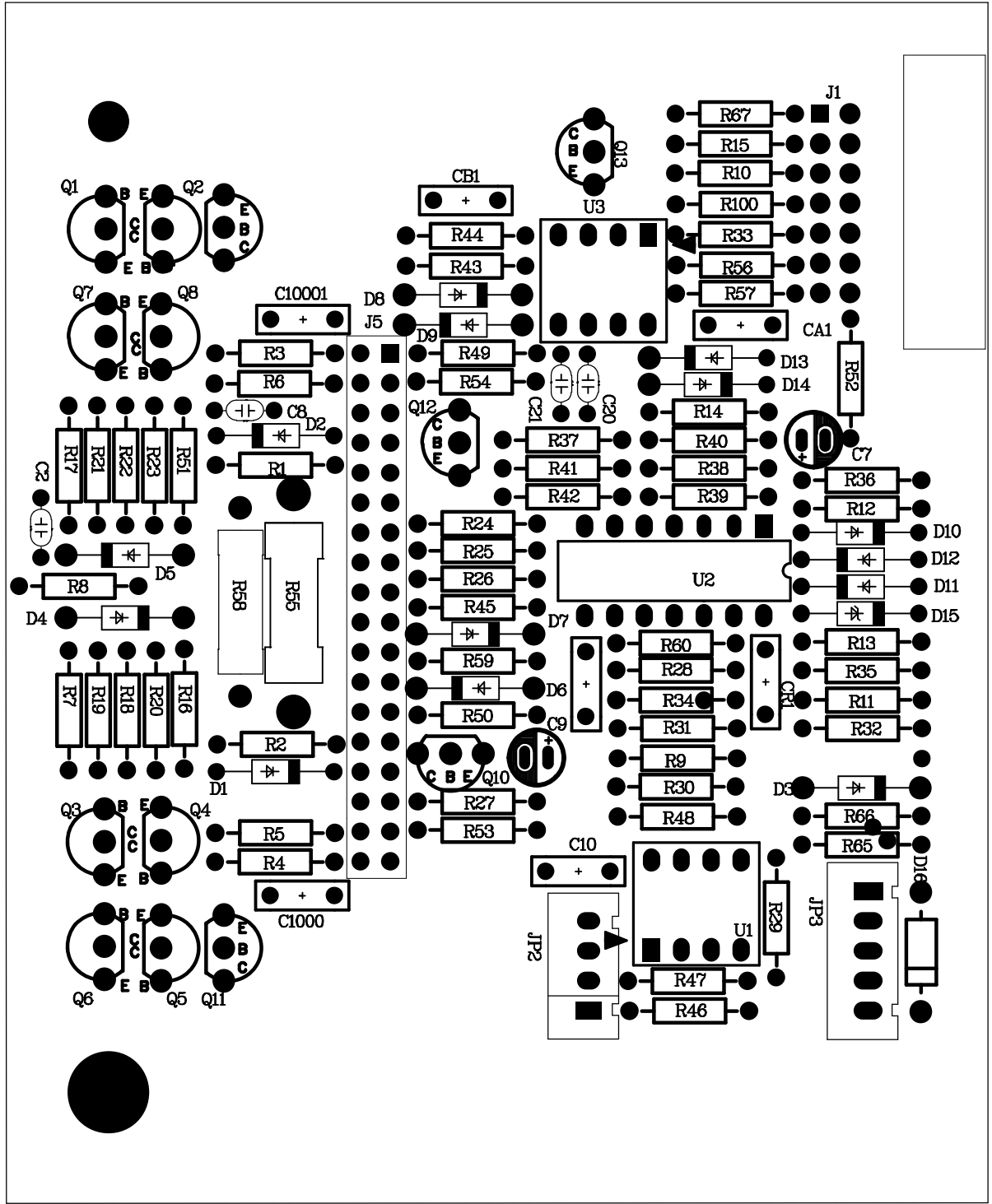
PB4

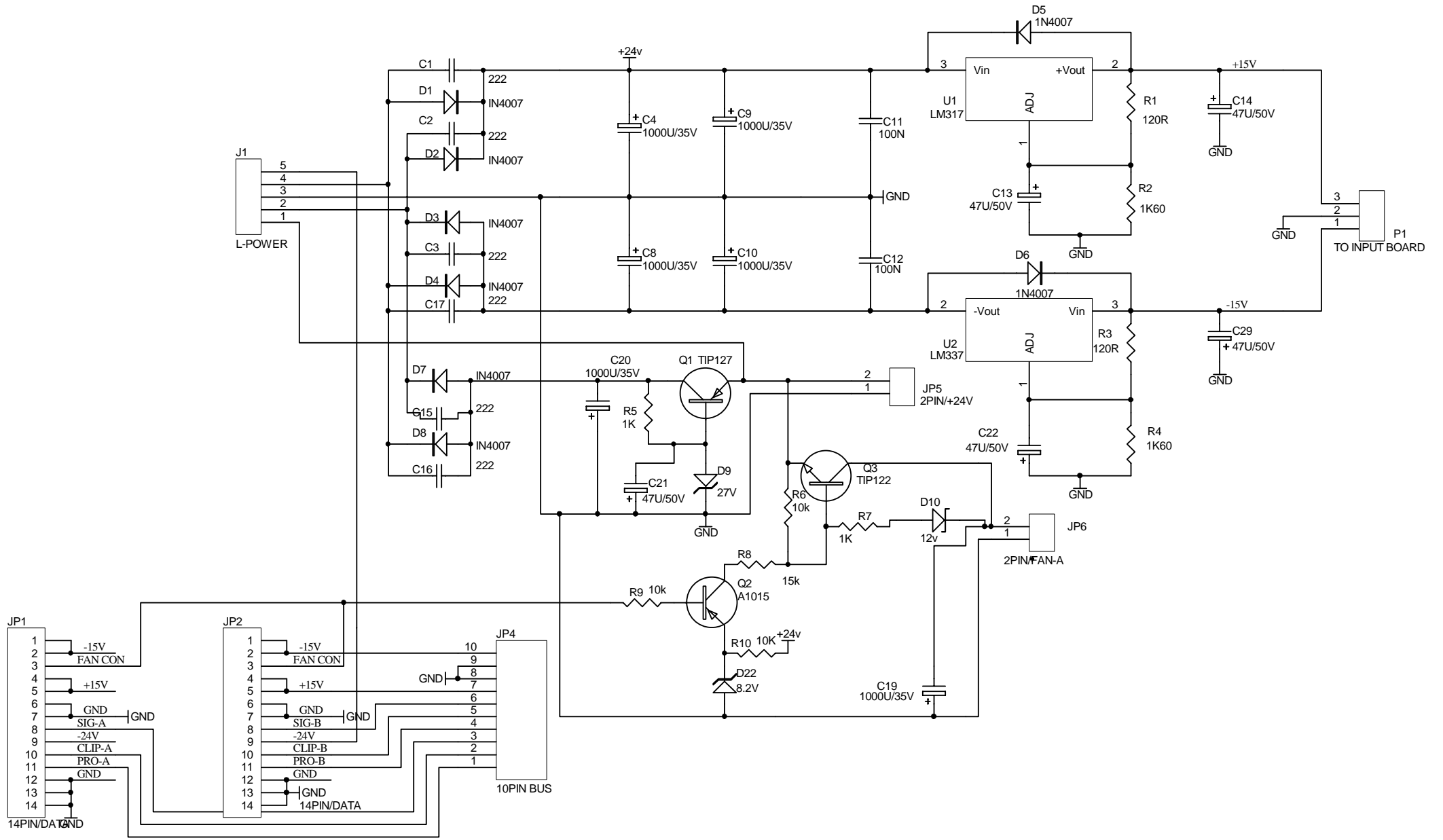
PA4

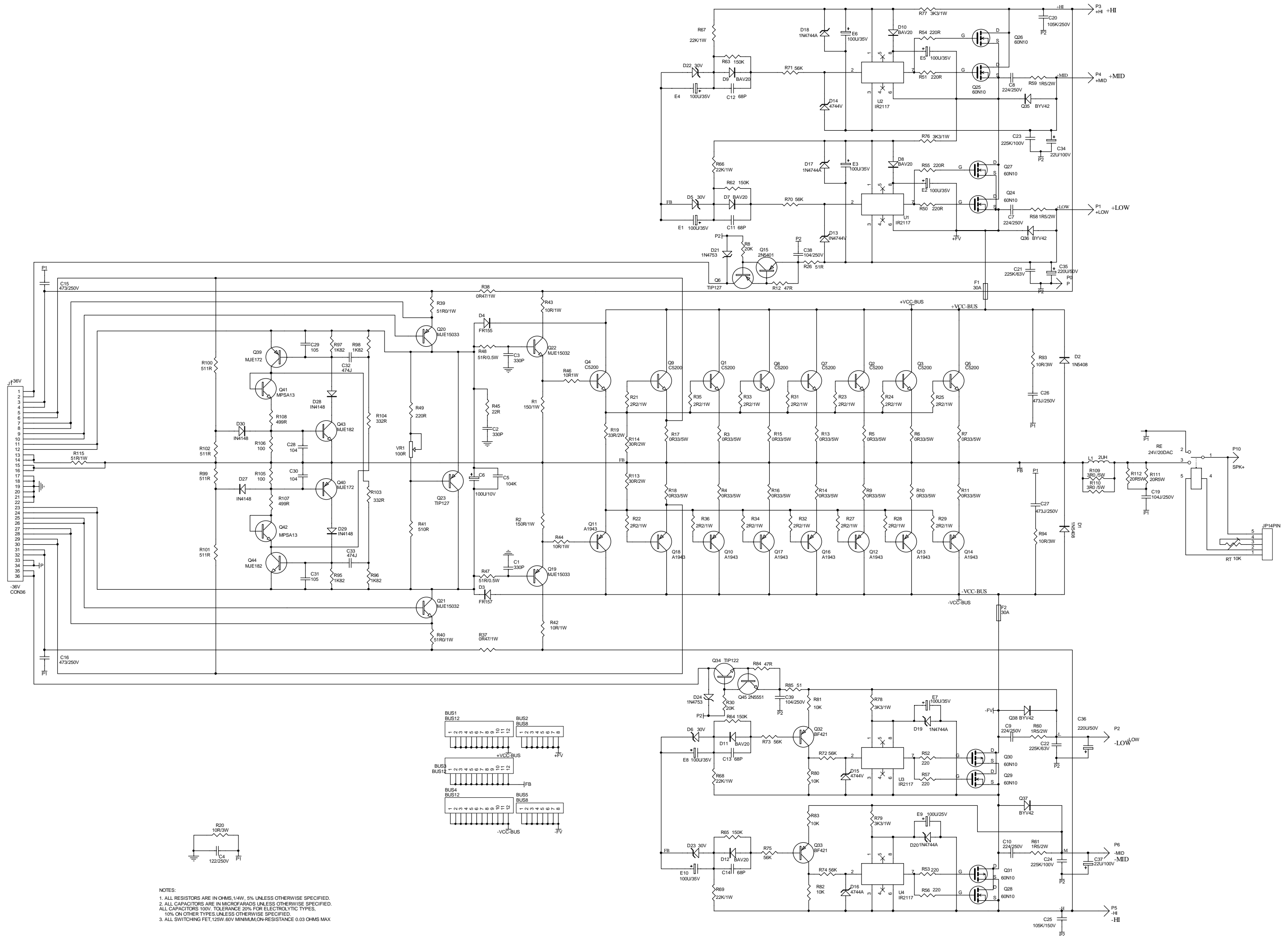
BR1

P10

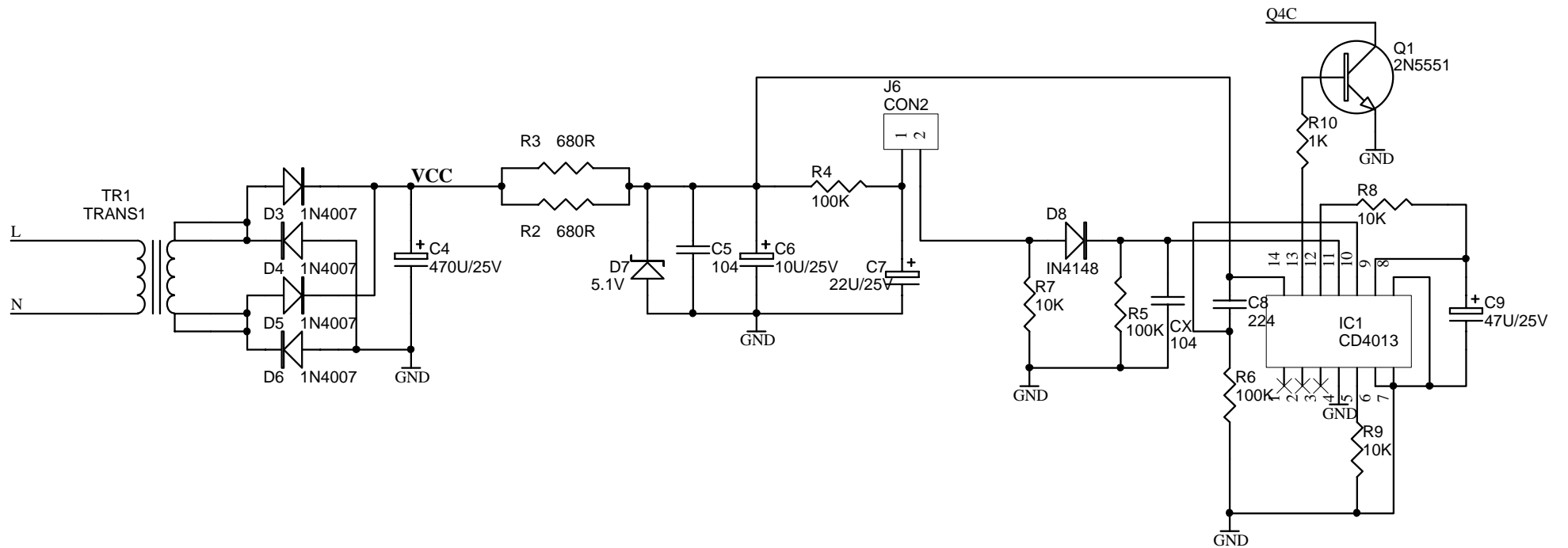
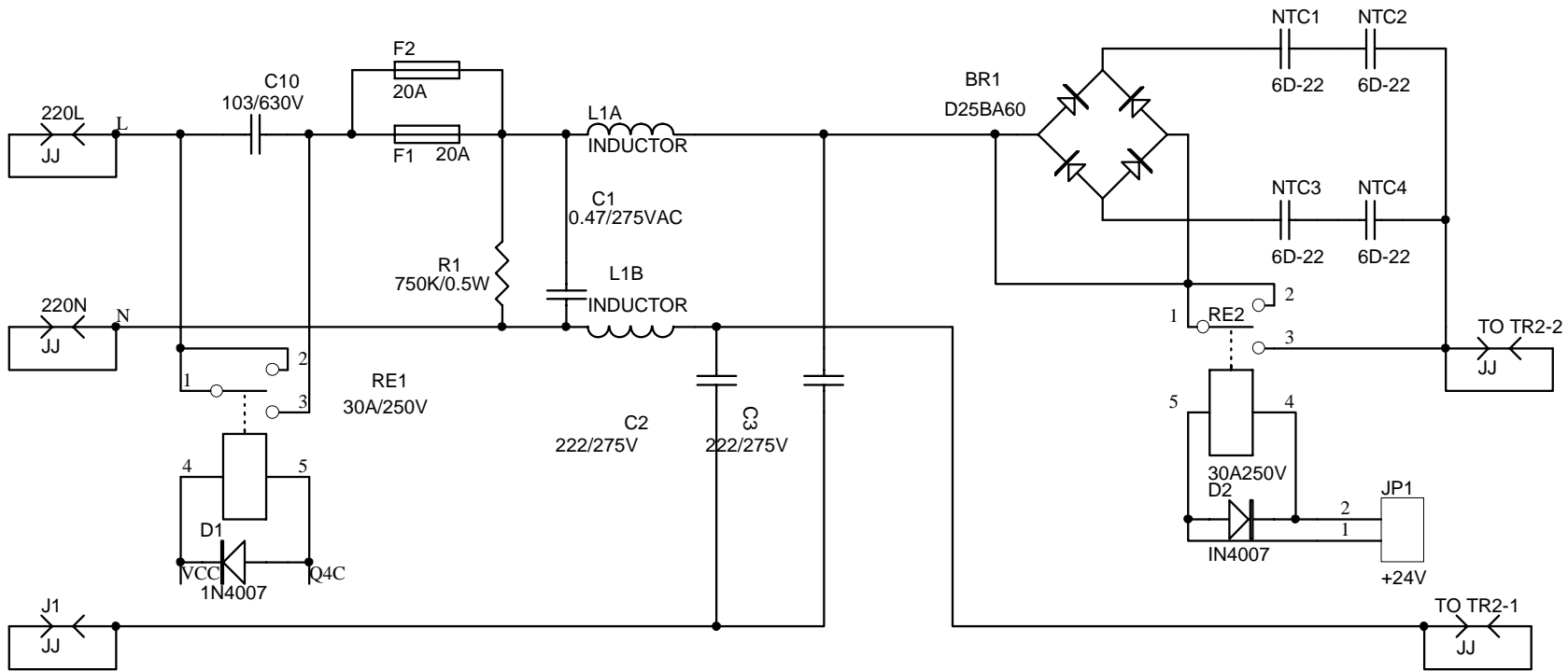


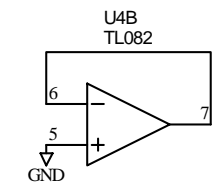
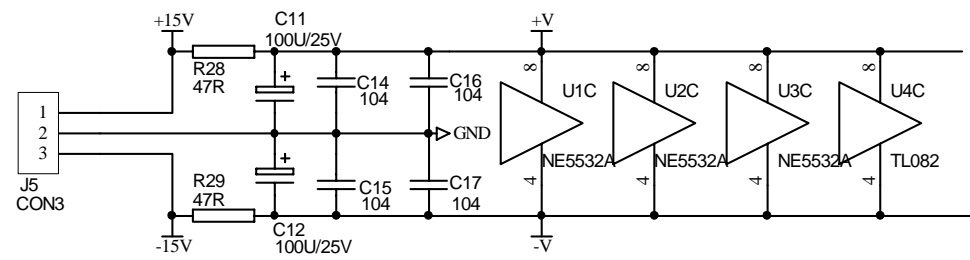
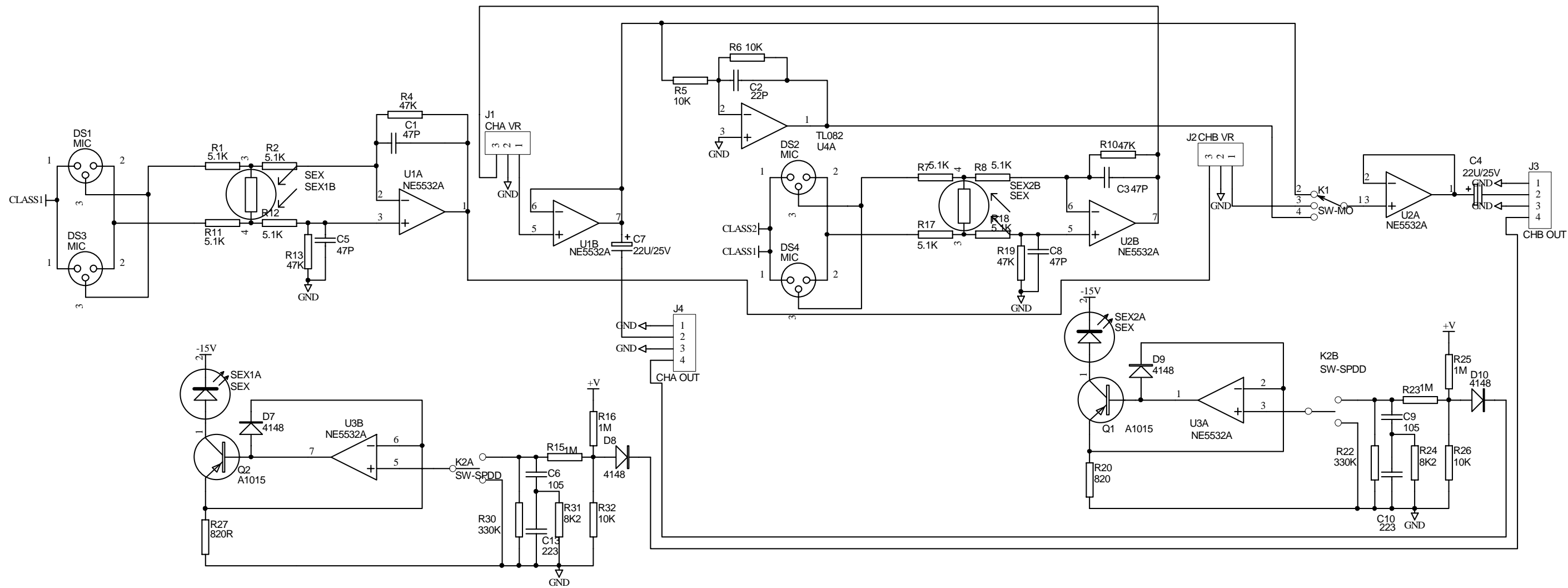


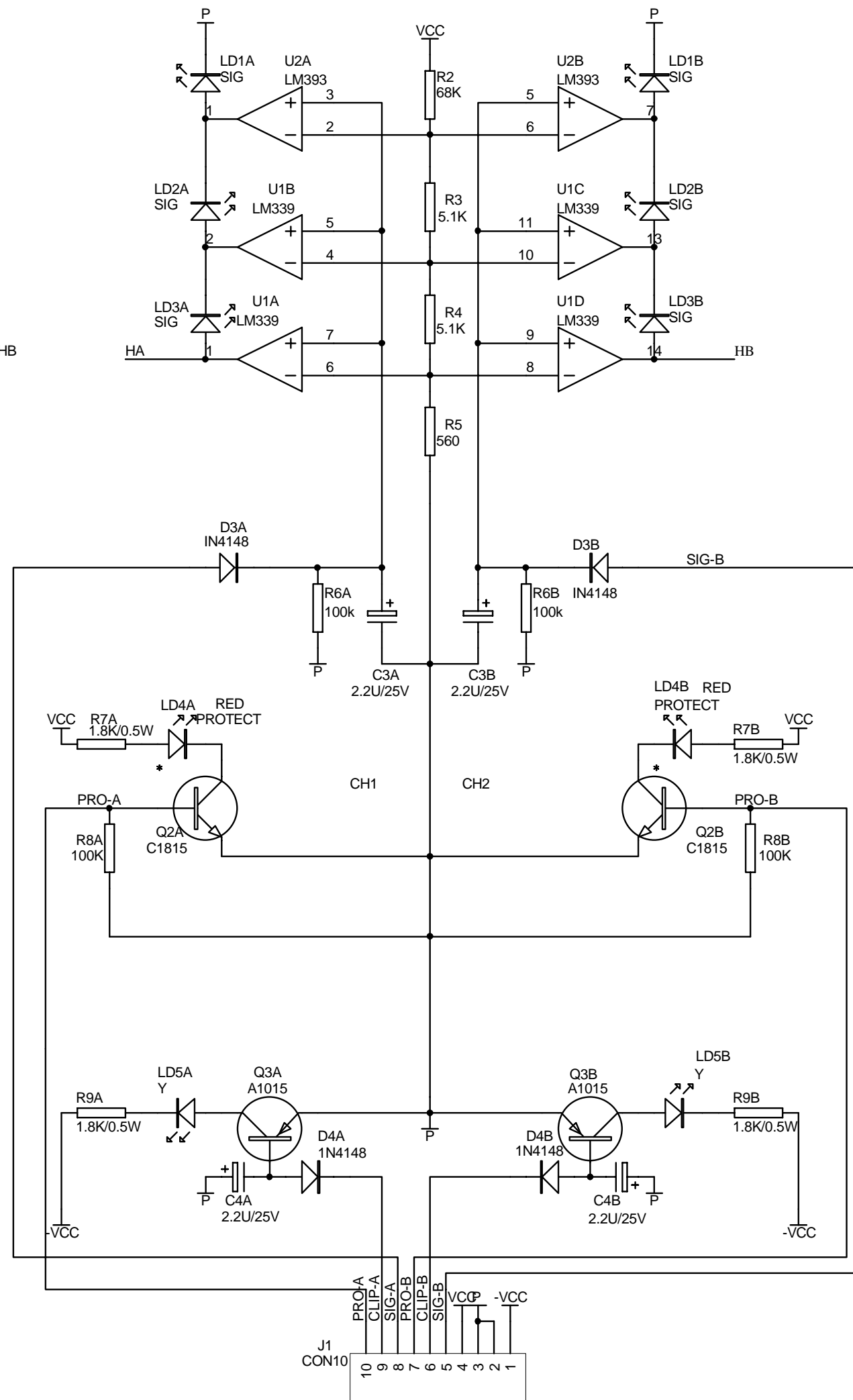
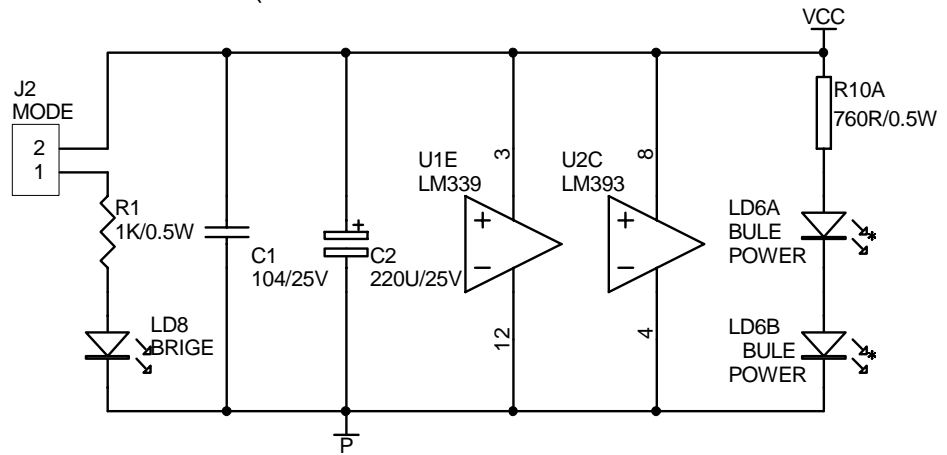
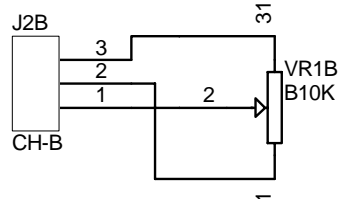
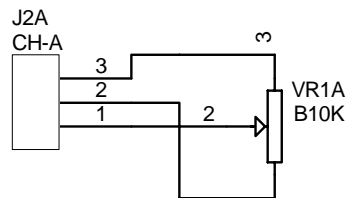
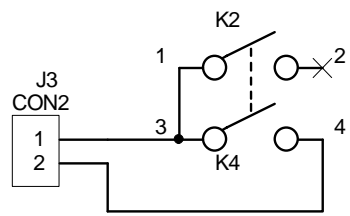
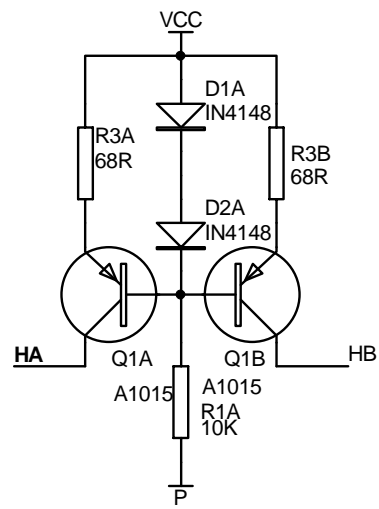


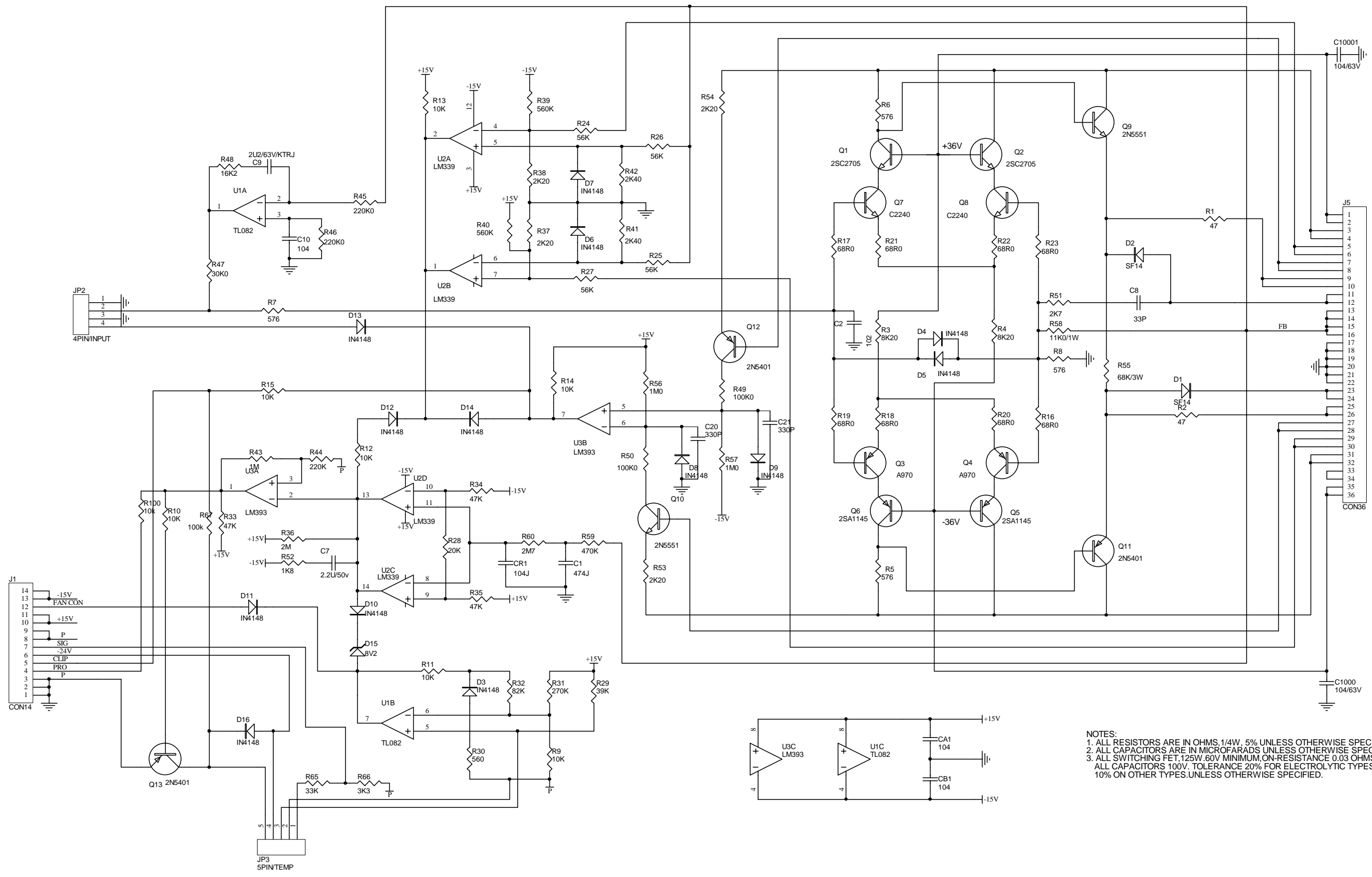


NOTES:
 1. ALL RESISTORS ARE IN OHMS, 1/4W, 5% UNLESS OTHERWISE SPECIFIED.
 2. ALL CAPACITORS ARE IN MICROFARADS UNLESS OTHERWISE SPECIFIED.
 ALL CAPACITORS 100V. TOLERANCE 20% FOR ELECTROLYTIC TYPES.
 10% ON OTHER TYPES UNLESS OTHERWISE SPECIFIED.
 3. ALL SWITCHING FET, 125V, 60V MINIMUM ON-RESISTANCE 0.03 OHMS MAX









NOTES:
 1. ALL RESISTORS ARE IN OHMS, 1/4W, 5% UNLESS OTHERWISE SPECIFIED.
 2. ALL CAPACITORS ARE IN MICROFARADS UNLESS OTHERWISE SPECIFIED.
 3. ALL SWITCHING FET, 125W, 60V MINIMUM, ON-RESISTANCE 0.03 OHMS MAX ALL CAPACITORS 100V, TOLERANCE 20% FOR ELECTROLYTIC TYPES, 10% ON OTHER TYPES, UNLESS OTHERWISE SPECIFIED.