



PCV-007

SERVICE MANUAL

Vestax Corporation

Vestax Corporation

1-18-6 Wakabayashi, Setagaya-ku, Tokyo 154-0023 Japan
Phone 03-3412-7011 Fax 03-3412-7013
Web : www.vestax.com

Vestax (Europe) Ltd.

Unit 5 Riverway Industrial Park Alton Hampshire GU34 2QL England, U.K.
Phone (0)1420-83000 Fax (0)1420-80040
Web : www.vestax.co.uk

Vestax Europe Technical Support

Rheinstr.213 D-53332 Bornheim Germany
Phone 49(0)2222-95-23-72 Fax 49(0)2222-95-23-74
Email: tech@vestax.com

VESTAX

SERVICE NOTE

MODEL: PMC-007

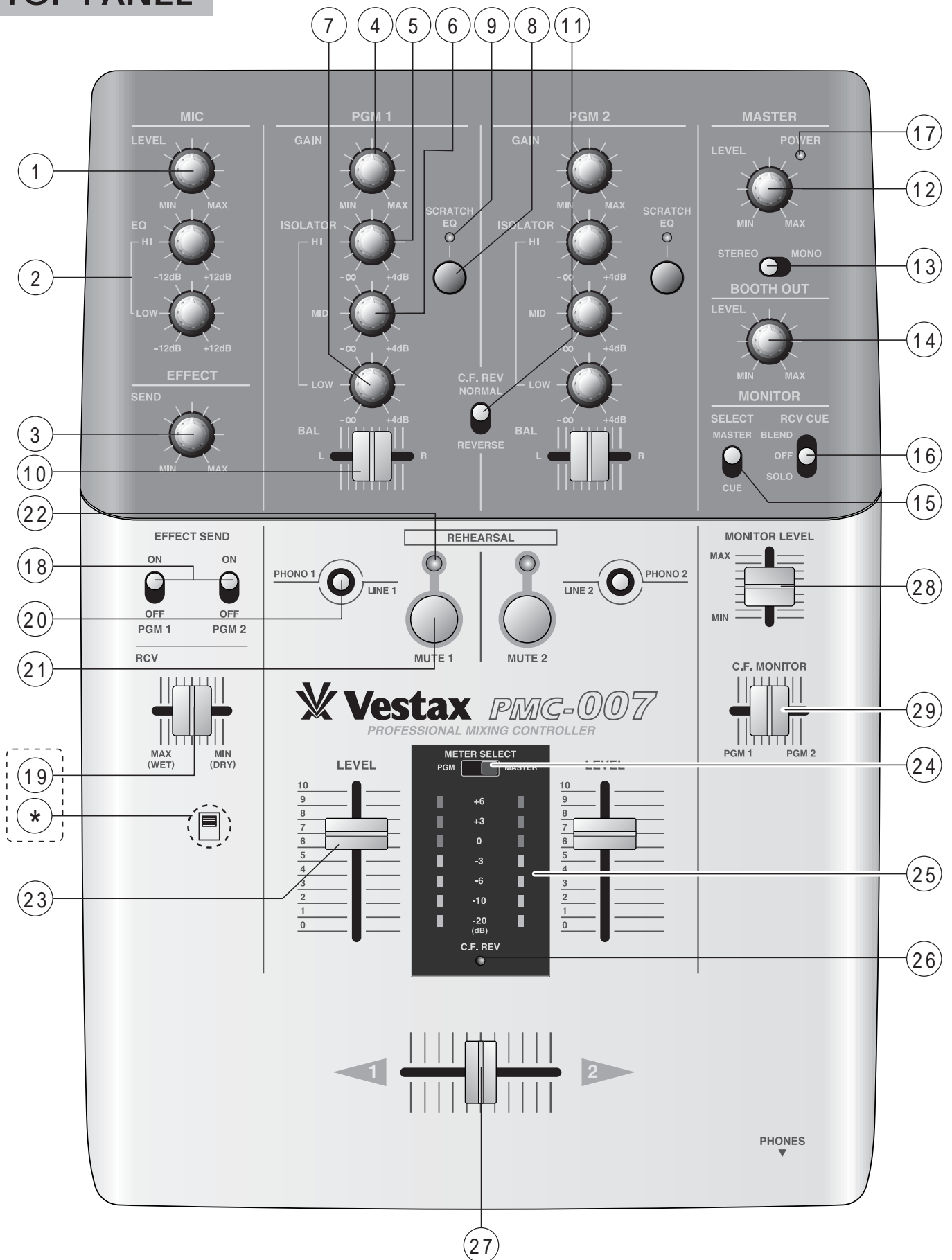
1. SPECIFICATIONS P. 3 - P. 8
2. CIRCUIT DIAGRAM P. 9 - P. 16
3. COMPONENTS LIST P. 17 - P. 46
4. PCB LAYOUT P. 47 - P. 53

Vestax Corporation Service Department

(2005-04-01)

FUNCTIONS

TOP PANEL



① MIC LEVEL

This switch is used to adjust the signal level of the Main MIC input.

② MIC EQ

The 2-Band MIC EQ feature is used to adjust the equalization level of the High & Low frequencies on the MIC input signal. These levels can be adjusted to/by +/-12dB.

③ EFFECT SEND LEVEL

This knob is used to adjust the signal level from an external effects device connected to the AUX send input jack on the rear panel of this mixer.

④ GAIN

The GAIN controls (on both PGM 1 & 2) are used to adjust input signal levels. For optimal acoustic quality first set the level of the input fader (23) to a position of 7 or 8, then, make any necessary adjustments to the GAIN control so that a sufficient signal is fed through the channel (PGM) without distorting.

⑤ HI ISOLATOR

This knob is used to adjust the HI frequency signal level relevant to each PGM.

⑥ MID ISOLATOR

This knob is used to adjust the MID frequency signal level relevant to each PGM.

⑦ LOW ISOLATOR

This knob is used to adjust the LOW frequency signal level relevant to each PGM.

⑧ SCRATCH EQ

This button is used to activate the scratch EQ feature (new) on this mixer. The scratch EQ feature essentially disregards the manual isolator EQ setting and passes all signal feeds through a Mid Boost and Hi Boost EQ and Low Cut circuit (per PGM), which is designed to generate the best scratch EQ setting possible.

⑨ SCRATCH EQ INDICATOR

This LED will be illuminated when the Scratch EQ feature (8) is on.

⑩ PGM BALANCE

This fader is used to adjust the stereo balance on each PGM. The PGM Balance can also be used to adjust an unbalanced stereo image. From the center position a movement to the right will increase the volume of the signal R over L and vice versa.

⑪ CF REVERSE SWITCH

This switch is used to reverse the direction of the cross fader (CF) such that if reversed position 1 becomes position 2 and vice versa. When reverse mode is activated the CF REV LED (26) will be illuminated in the main LED section.

⑫ MASTER LEVEL

This knob is used to adjust the signal levels from the Line Out connections found on the rear panel of this unit.

⑬ STEREO/MONO SELECT SWITCH

This switch is used to select either a mono or stereo signal output for the Line Out section. Regardless of your choice, the L & R levels will remain the same.

⑭ BOOTH LEVEL

This knob is used to adjust the level of output through the Booth section.

⑮ MONITOR SELECT SWITCH

This switch is used to select which type of monitor signal, either CUE or MASTER, is heard in headphones connected to this mixer. When set to CUE, both signals (including the EQ settings on each) will be heard. Using the CF Monitor Fader (29) will alter what is heard in the headphones.

⑯ RECEIVE CUE SWITCH

This switch has three settings, which in turn control how the Effect Received signal is monitored. When set to BLEND, users will hear both the effect receive signal and either the Cue or Master output (see 15 for more). When set to OFF, no effect receive signal will be heard. When set to SOLO, only the effect receive signal will be heard.

⑰ POWER INDICATOR

This LED will be illuminated when powered.

⑱ EFFECT SEND ON/OFF SWITCH

When on this feature will send the PGM signal (1 & or 2) to the effects send jack found on the rear panel.

⑲ EFFECT RECEIVE LEVEL

This fader when moved from DRY to WET is used to adjust the signal level received from any external effects device connected to the Effect Receive input located on the rear panel of this unit.

CAUTION

A function can be changed with the switch(*) under a top panel. Only the level of the signal (RCV sound) inputted from the EFFECT RCV jack is adjusted at the time of Switch OFF (at the time of a initial setup), and it changes to the balance regulation volume of RCV sound and the sound of MASTER OUT at the time of Switch ON.

⑳ PHONO/LINE SELECTOR

This switch is used to determine which input source is sent to the PGM. Once an input is connected to the correct PGM jack users are able to switch back and forward between either phono or line signals, effectively creating a type of transformer scratch.

㉑ REHEARSAL MUTE SWITCH

When activated this switch restricts the signal path of the PGM to only the headphone monitor, allowing you to practice a mix or scratch using the master CF but without the sound being outputted. Moreover, any adjustment to the monitor CF will have no effect to the headphone signal whilst the Freeze feature is active. Pressing both PGM 1 & 2 Freeze switches will result in all output being muted.

When PGM 1 Freeze is on, the LED indicator above the button will illuminate and all signals from PGM will be routed only to the headphone section and thus not outputted. Moving the CF from position 2 to 1 will have only an effect in the headphones, facilitating practice of a mix point or scratch point.

When PGM 2 Freeze is on, the LED indicator above the button will illuminate and all signals from PGM will be routed only to the headphone section and thus not outputted. Moving the CF

from position 1 to 2 will have only an effect in the headphones, facilitating practice of a mix point or scratch point.

22 REHEARSAL MUTE/FREEZE INDICATOR LED

When the Rehearsal Mute/Freeze feature is active this LED will illuminate.

23 INPUT FADER

An input fader is used to adjust the input level on a given PGM. The input fader on this unit is a PCV fader and utilizes Vestax ReX fader exchange technology. This fader is user replaceable. For comprehensive information on how to replace this ReX PCV Fader please see the "How To Change The Fader Unit" section of this manual.

24 LEVEL METER SELECT SWITCH

This switch is used to select which signal level is displayed. When set to PGM, both sides of this LED section will display the current PGM level, with the left side showing PGM 1 and the right side showing PGM 2. When set to MASTER, the two LED indicators will show the L&R channels of the master signal being outputted.

25 LED LEVEL METER

As above.

26 CF REVERSE INDICATOR.

This LED is illuminated when the CF has been reversed as described in 11).

27 CROSS FADER (CF)

Assuming that the CF reverse is off, Rehearsal Mute is off, and that the input levels of both PGM 1 and PGM 2 are properly set, then when the CF is at position 1 the signals from PGM 1 can be heard and when the CF is at position 2 the signals from PGM 2 can be heard.

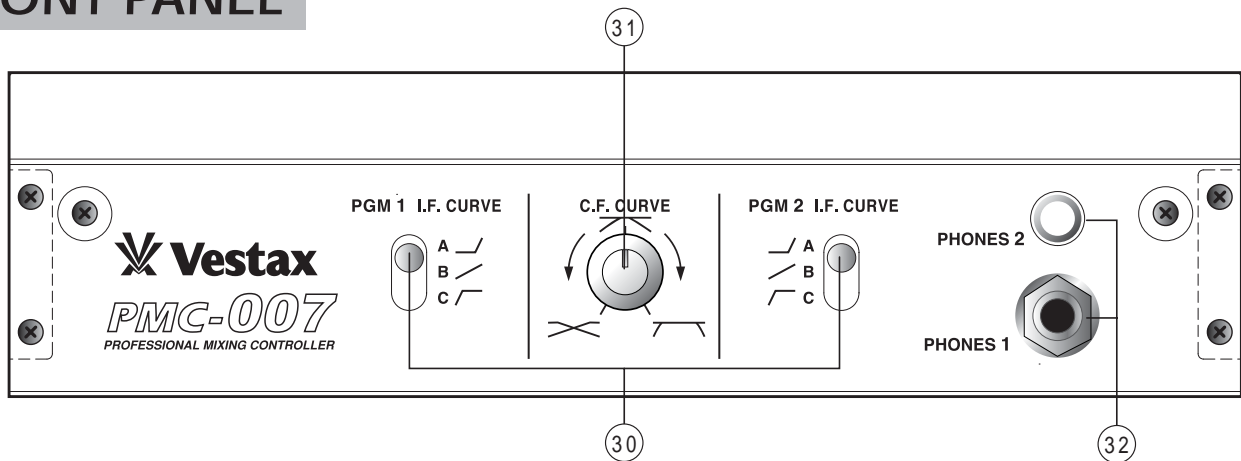
28 MONITER LEVEL

This fader is used to adjust the volume level heard in the headphone section.

29 MONITER CF

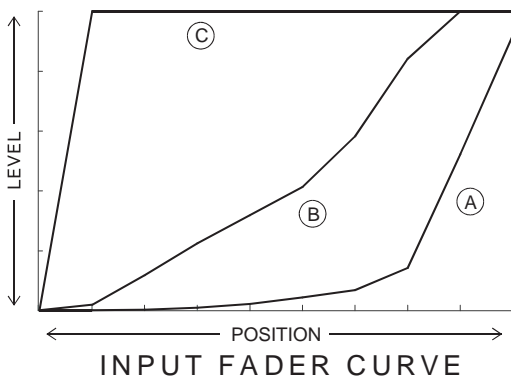
This fader is used to adjust which PGM is heard in the headphone section.

FRONT PANEL

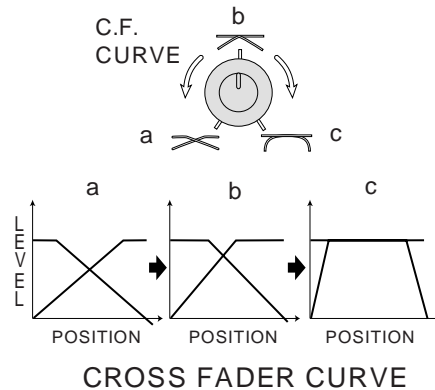


30 INPUT FADER CURVE SWITCHES

These switches may be used to adjust the fader curve setting for either input fader. There are three settings from which to make a selection (A, B & C) each with a different gradient.



Rotating this knob in a clockwise manner will produce a steep curve more suited to scratching cutting. An anticlockwise rotation will have the opposite effect of producing a gentler slope more suited to long mixing.



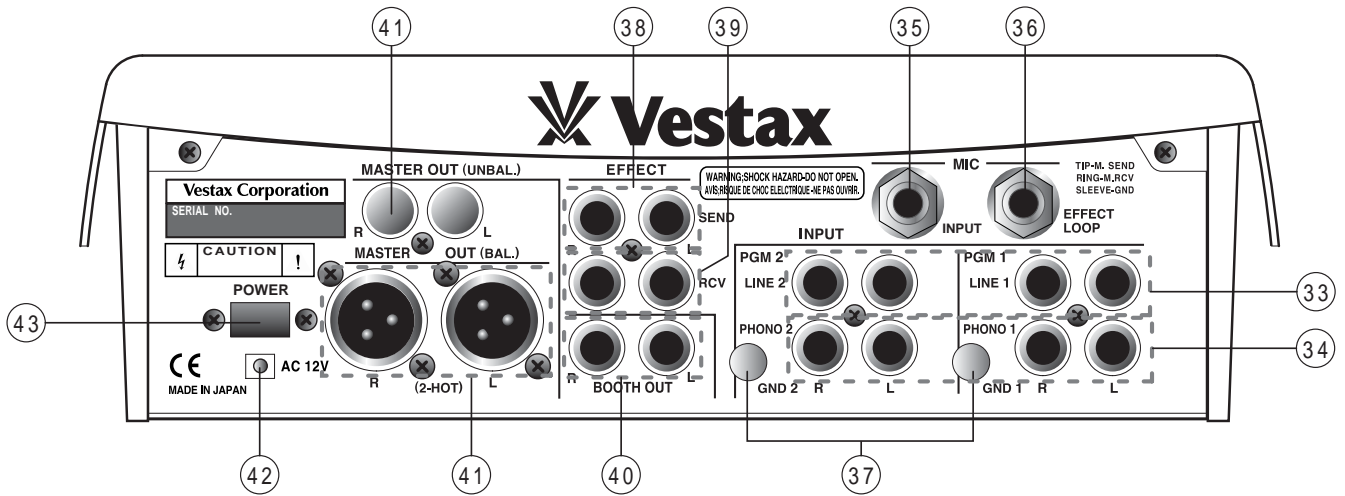
31 CROSS FADER CURVE (CF) CURVE ADJUST CONTROL

This knob is used to adjust the slope of the CF curve. Any curve located between the two extreme positions, gentle & steep, is possible and up to the preferred curve type of any user.

32 HEAD PHONE JACK

Used to connect suitable headphones to this unit. We recommend that users pay particular attention to the impedance level of their headphones. An impedance level of between 8ohm and 600ohm is best for this unit.

REAR PANEL



33 LINE INPUT JACKS

These jacks are used to connect line level output devices to the PMC-007. Devices with a line level of -10dB to 0dB, such as CD players, MD players, tape decks, DAT players etc may be connected to these jacks. The signal from these devices will then be fed to the respective PGM and Line Input is selected.

34 PHONO INPUT JACKS

These jacks are used to connect turntables with moving magnet type cartridges. Once connected, the signal from the turntable will be fed to the respective PGM when Phono input is selected.

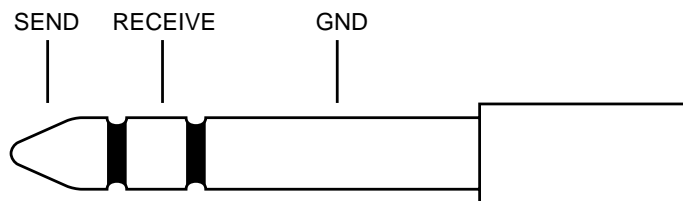
35 MIC JACK

Used for the connection of MIC inputs.

36 EFFECT LOOP JACKS (MIC)

This jack is used to connect external effects that are fitted with a 1/4 inch stereo plug. In order to produce the best sound, please set your external effect unit such that the L channel is Effect Send and the R channel is Effect Receive.

TIP:MIC SEND OUT
RING:MIC RECEIVE OUT
SLEEVE:.....EARTH



T.R.S JACK

37 GROUND TERMINAL

This connection point is used to ground turntables connect to this unit.

38 EFFECT SEND JACK

Used to connect the inputs of an external effects device.

39 EFFECT RECEIVE JACK

Used to connect the output of an external effects device.

40 BOOTH OUT JACK

Use these jacks to connect booth monitors to this unit. This signal is identical to that of the headphone section with the exception of when the Rehearsal Mute/Freeze feature is active.

41 MASTER OUT JACK (Balanced & Unbalanced)

These jacks may be used to connect this unit to an amplifier. This unit has 2 sets of output jacks so that each output level can be set separately. In this situation, the Master (XLR) out can be used as the main output whilst the 1/4 inch output can be used as a sub unbalanced output.

42 POWER JACK

Connect the Vestax AC-12A, AC adaptor (12V AC, 1000mA).

43 POWER SWITCH

Power on/off.

Exchanging a ReX Fader Unit

The ReX (Rapid Exchange) fader system has been designed to allow users to quickly exchange faders. By following and adhering to the following directions and advice you will be able to safely and easily exchange ReX type faders. In the event that the ReX unit itself or the ReX exchange system is damaged in anyway do not operate this mixer before consulting your local Vestax service center.

Note

Leaving the mixer unit with the top panel open and any fader cables unconnected could result in some damage. For this reason it is best to have all replacement faders ready for installation so as to avoid any unnecessary damage or delay.

- ① Remove all knobs from the Battle Panel as illustrated.
- ② Release the top panel as illustrated.
- ③ Caution should be exercised when opening the top panel so as to avoid any unnecessary damage to the panel unit or release system.
- ④ A ReX fader is easily removed by simply applying simultaneous pressure to the clips located at either end of the Fader

- ⑤ mounting unit, once release pull the fader upwards carefully.
- ⑥ Remove the cable connector from the fader unit carefully.
- ⑦ Exchange the fader unit making sure to reconnect the cable connector unit correctly.
- ⑧ Click the ReX fader unit back in place. Check that the unit is secure by gently pushing on the fader unit.
- ⑨ Lower the Battle Panel as illustrated taking care to realign the fader slots and fader forks properly. This panel will not close if realigned incorrectly.
- ⑩ Check to ensure that the panel is correctly in place and then replace all knobs. You have now successfully exchanged your ReX fader unit.

fig a

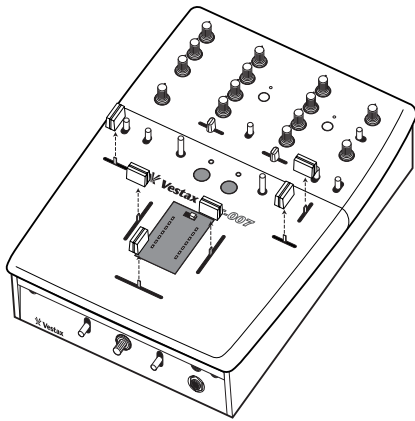


fig b

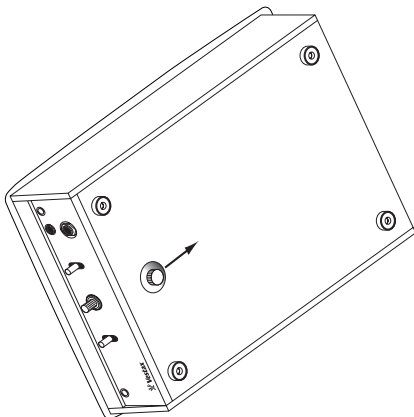


fig c

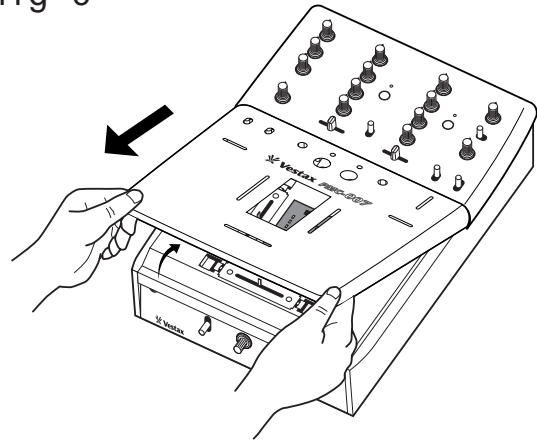


fig d

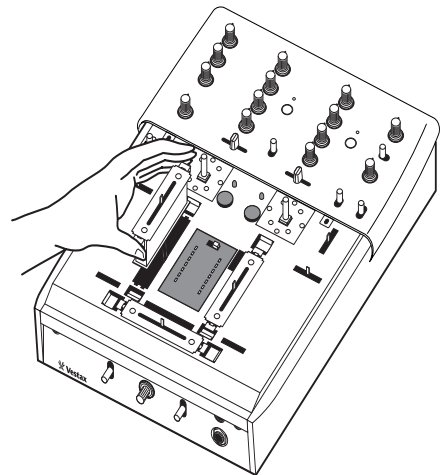
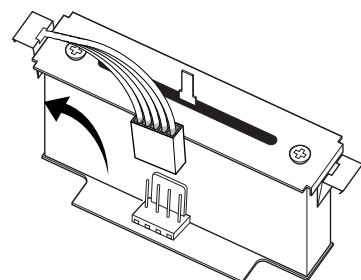


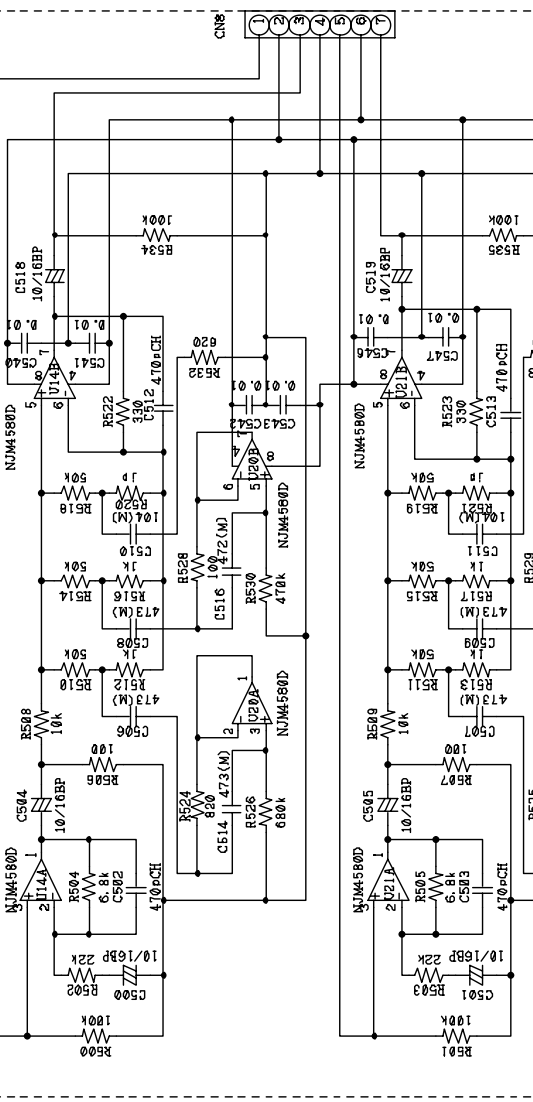
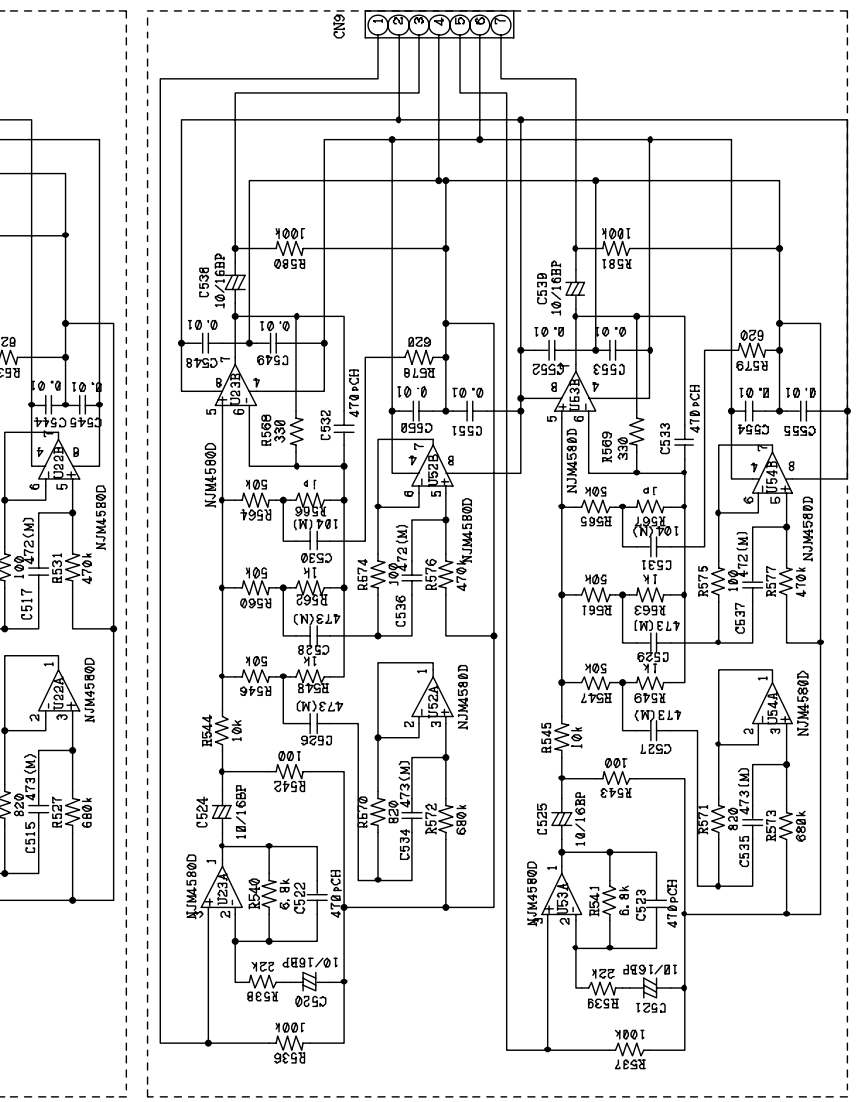
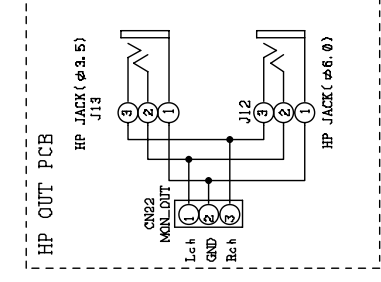
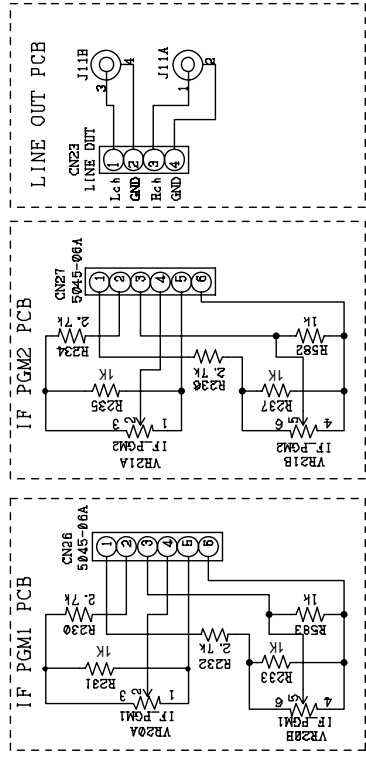
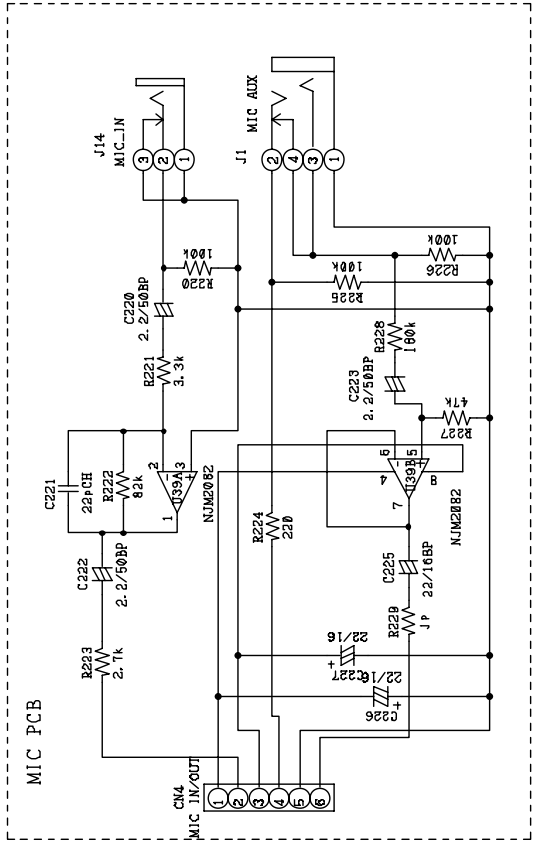
fig e



SPECIFICATION PMC -007

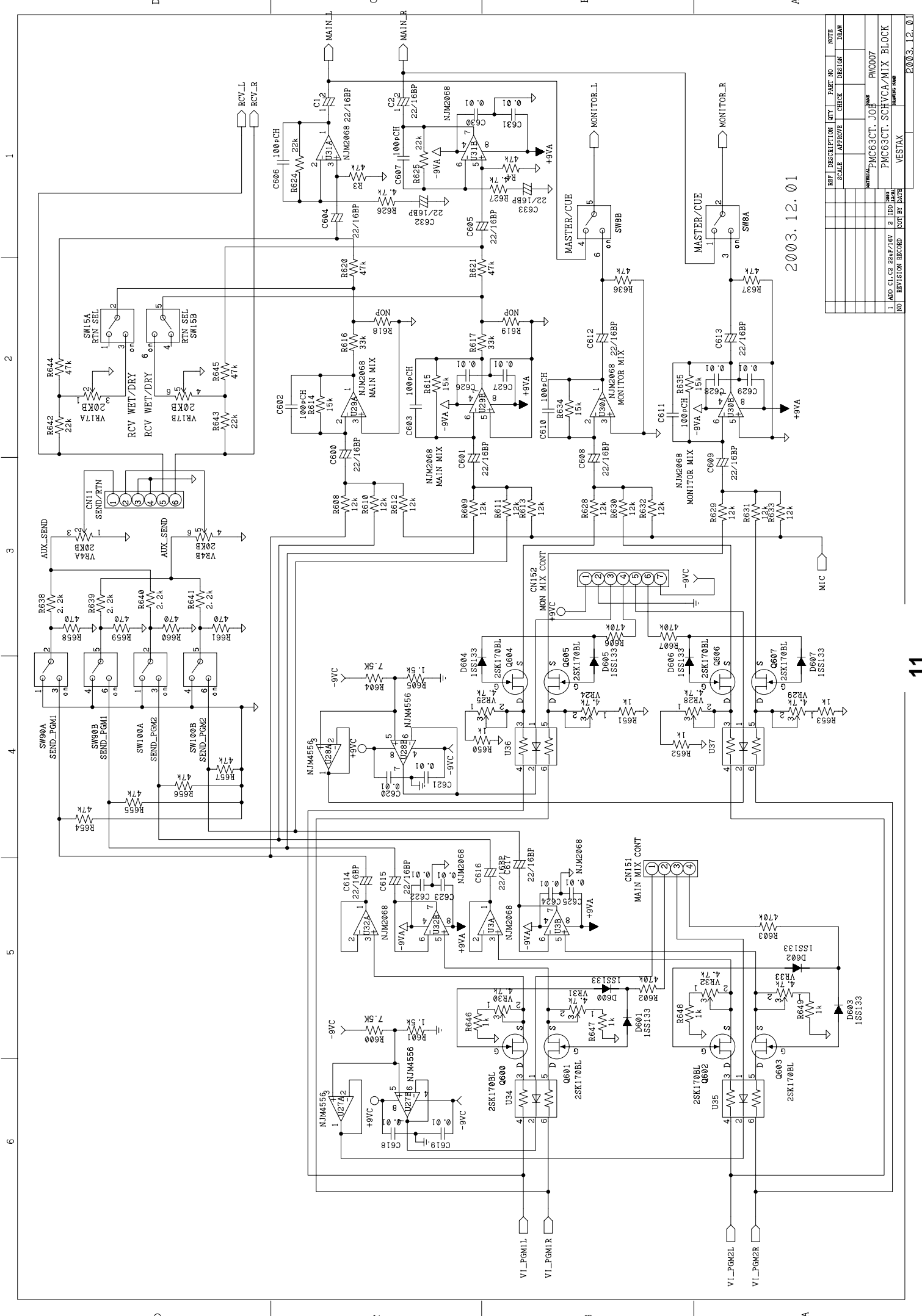
		NOMINAL INPUT	MAXIMUM INPUT	INPEDANCE
INPUT SECTION	MIC (6.3 PHONE JACK)	-50.0dBv	-32.0dBv	3.3k
	PHONO 1.2L/R (RCA PIN JACK)	-46.0dBv	-22.4dBv	56k
	LINE 1.2L/R (RCA PIN JACK)	0dBv	+14dBv	16k
	EFFECT RCV (RCA PIN JACK UNBALANCED)	0dBv	+14dB	42k
	MIC RCV (TRS PHONE JACK-RING PIN)	0dBv	+14dB	69k
ISOLATOR SECTION	HI	10kHz - ~ +4dB		
	MID	1kHz - ~ +4dB		
	LOW	80Hz - ~ +4dB		
OUTPUT SECTION		RATED OUTPUT	MAXIMUM OUTPUT	INPEDANCE
	MASTER1 L / R (RCA PIN JACK UNBALANCED)	0dBv	+14.5dBv	10k OVER
	MASTER2 L / R (XLR JACK BALANCED)	+4dBv	+14.5dBv	10k OVER
	BOOTH L/R (RCA PIN JACK UNBALANCED)	0dBv	+14.5dBv	10k OVER
	EFFECT SEND L / R (RCA PIN JACK UNBALANCED)	0dBv	+14.5dBv	10k OVER
	HEAD PHONE (6.3 PHONE JACK)	(47 LORD 130mW)		8 ~ 600
	MIC SEND (TRS PHONE JACK-TIP PIN)	0dBv	+11.4dBv	10k OVER
FREQUENCY RESPONSE	MIC	30Hz ~ 20kHz ± 3dB	CROSSFADER CROSSTALK	> 65dB
	LINE	20Hz ~ 20kHz ± 1dB	CHANNEL CROSSTALK	> 75dB
S/N RATIO	MIC	> 60dB	POWER SUPPLY	AC-12V ADAPTOR 1000mA
	LINE	> 75dB	DIMENSION(W x H x D)	260 x 92 x 370
POWER REQUIREMENT	12W		WEIGHT	4.0kg

1 2 3 4 5 6



2003.12.02

REV	DESCRIPTION	DATE	PART NO.	NOTE
1	SCALE	1999/08/01	PNM71ETC. J01	DRAMP
2	REVISION	2003/12/02	PNM71ETC. J01	DRAMP
3	REVISION	2003/12/02	PNM71ETC. J01	DRAMP
4	REVISION	2003/12/02	PNM71ETC. J01	DRAMP
5	REVISION	2003/12/02	PNM71ETC. J01	DRAMP
6	REVISION	2003/12/02	PNM71ETC. J01	DRAMP
7	REVISION	2003/12/02	PNM71ETC. J01	DRAMP
8	REVISION	2003/12/02	PNM71ETC. J01	DRAMP
9	REVISION	2003/12/02	PNM71ETC. J01	DRAMP
10	REVISION	2003/12/02	PNM71ETC. J01	DRAMP
11	REVISION	2003/12/02	PNM71ETC. J01	DRAMP
12	REVISION	2003/12/02	PNM71ETC. J01	DRAMP
13	REVISION	2003/12/02	PNM71ETC. J01	DRAMP
14	REVISION	2003/12/02	PNM71ETC. J01	DRAMP
15	REVISION	2003/12/02	PNM71ETC. J01	DRAMP
16	REVISION	2003/12/02	PNM71ETC. J01	DRAMP
17	REVISION	2003/12/02	PNM71ETC. J01	DRAMP
18	REVISION	2003/12/02	PNM71ETC. J01	DRAMP
19	REVISION	2003/12/02	PNM71ETC. J01	DRAMP
20	REVISION	2003/12/02	PNM71ETC. J01	DRAMP
21	REVISION	2003/12/02	PNM71ETC. J01	DRAMP
22	REVISION	2003/12/02	PNM71ETC. J01	DRAMP
23	REVISION	2003/12/02	PNM71ETC. J01	DRAMP
24	REVISION	2003/12/02	PNM71ETC. J01	DRAMP
25	REVISION	2003/12/02	PNM71ETC. J01	DRAMP
26	REVISION	2003/12/02	PNM71ETC. J01	DRAMP
27	REVISION	2003/12/02	PNM71ETC. J01	DRAMP
28	REVISION	2003/12/02	PNM71ETC. J01	DRAMP
29	REVISION	2003/12/02	PNM71ETC. J01	DRAMP
30	REVISION	2003/12/02	PNM71ETC. J01	DRAMP
31	REVISION	2003/12/02	PNM71ETC. J01	DRAMP
32	REVISION	2003/12/02	PNM71ETC. J01	DRAMP
33	REVISION	2003/12/02	PNM71ETC. J01	DRAMP
34	REVISION	2003/12/02	PNM71ETC. J01	DRAMP
35	REVISION	2003/12/02	PNM71ETC. J01	DRAMP
36	REVISION	2003/12/02	PNM71ETC. J01	DRAMP
37	REVISION	2003/12/02	PNM71ETC. J01	DRAMP
38	REVISION	2003/12/02	PNM71ETC. J01	DRAMP
39	REVISION	2003/12/02	PNM71ETC. J01	DRAMP
40	REVISION	2003/12/02	PNM71ETC. J01	DRAMP
41	REVISION	2003/12/02	PNM71ETC. J01	DRAMP
42	REVISION	2003/12/02	PNM71ETC. J01	DRAMP
43	REVISION	2003/12/02	PNM71ETC. J01	DRAMP
44	REVISION	2003/12/02	PNM71ETC. J01	DRAMP
45	REVISION	2003/12/02	PNM71ETC. J01	DRAMP
46	REVISION	2003/12/02	PNM71ETC. J01	DRAMP
47	REVISION	2003/12/02	PNM71ETC. J01	DRAMP
48	REVISION	2003/12/02	PNM71ETC. J01	DRAMP
49	REVISION	2003/12/02	PNM71ETC. J01	DRAMP
50	REVISION	2003/12/02	PNM71ETC. J01	DRAMP
51	REVISION	2003/12/02	PNM71ETC. J01	DRAMP
52	REVISION	2003/12/02	PNM71ETC. J01	DRAMP
53	REVISION	2003/12/02	PNM71ETC. J01	DRAMP
54	REVISION	2003/12/02	PNM71ETC. J01	DRAMP
55	REVISION	2003/12/02	PNM71ETC. J01	DRAMP
56	REVISION	2003/12/02	PNM71ETC. J01	DRAMP
57	REVISION	2003/12/02	PNM71ETC. J01	DRAMP
58	REVISION	2003/12/02	PNM71ETC. J01	DRAMP
59	REVISION	2003/12/02	PNM71ETC. J01	DRAMP
60	REVISION	2003/12/02	PNM71ETC. J01	DRAMP
61	REVISION	2003/12/02	PNM71ETC. J01	DRAMP
62	REVISION	2003/12/02	PNM71ETC. J01	DRAMP
63	REVISION	2003/12/02	PNM71ETC. J01	DRAMP
64	REVISION	2003/12/02	PNM71ETC. J01	DRAMP
65	REVISION	2003/12/02	PNM71ETC. J01	DRAMP
66	REVISION	2003/12/02	PNM71ETC. J01	DRAMP
67	REVISION	2003/12/02	PNM71ETC. J01	DRAMP
68	REVISION	2003/12/02	PNM71ETC. J01	DRAMP
69	REVISION	2003/12/02	PNM71ETC. J01	DRAMP
70	REVISION	2003/12/02	PNM71ETC. J01	DRAMP
71	REVISION	2003/12/02	PNM71ETC. J01	DRAMP
72	REVISION	2003/12/02	PNM71ETC. J01	DRAMP
73	REVISION	2003/12/02	PNM71ETC. J01	DRAMP
74	REVISION	2003/12/02	PNM71ETC. J01	DRAMP
75	REVISION	2003/12/02	PNM71ETC. J01	DRAMP
76	REVISION	2003/12/02	PNM71ETC. J01	DRAMP
77	REVISION	2003/12/02	PNM71ETC. J01	DRAMP
78	REVISION	2003/12/02	PNM71ETC. J01	DRAMP
79	REVISION	2003/12/02	PNM71ETC. J01	DRAMP
80	REVISION	2003/12/02	PNM71ETC. J01	DRAMP
81	REVISION	2003/12/02	PNM71ETC. J01	DRAMP
82	REVISION	2003/12/02	PNM71ETC. J01	DRAMP
83	REVISION	2003/12/02	PNM71ETC. J01	DRAMP
84	REVISION	2003/12/02	PNM71ETC. J01	DRAMP
85	REVISION	2003/12/02	PNM71ETC. J01	DRAMP
86	REVISION	2003/12/02	PNM71ETC. J01	DRAMP
87	REVISION	2003/12/02	PNM71ETC. J01	DRAMP
88	REVISION	2003/12/02	PNM71ETC. J01	DRAMP
89	REVISION	2003/12/02	PNM71ETC. J01	DRAMP
90	REVISION	2003/12/02	PNM71ETC. J01	DRAMP
91	REVISION	2003/12/02	PNM71ETC. J01	DRAMP
92	REVISION	2003/12/02	PNM71ETC. J01	DRAMP
93	REVISION	2003/12/02	PNM71ETC. J01	DRAMP
94	REVISION	2003/12/02	PNM71ETC. J01	DRAMP
95	REVISION	2003/12/02	PNM71ETC. J01	DRAMP
96	REVISION	2003/12/02	PNM71ETC. J01	DRAMP
97	REVISION	2003/12/02	PNM71ETC. J01	DRAMP
98	REVISION	2003/12/02	PNM71ETC. J01	DRAMP
99	REVISION	2003/12/02	PNM71ETC. J01	DRAMP
100	REVISION	2003/12/02	PNM71ETC. J01	DRAMP



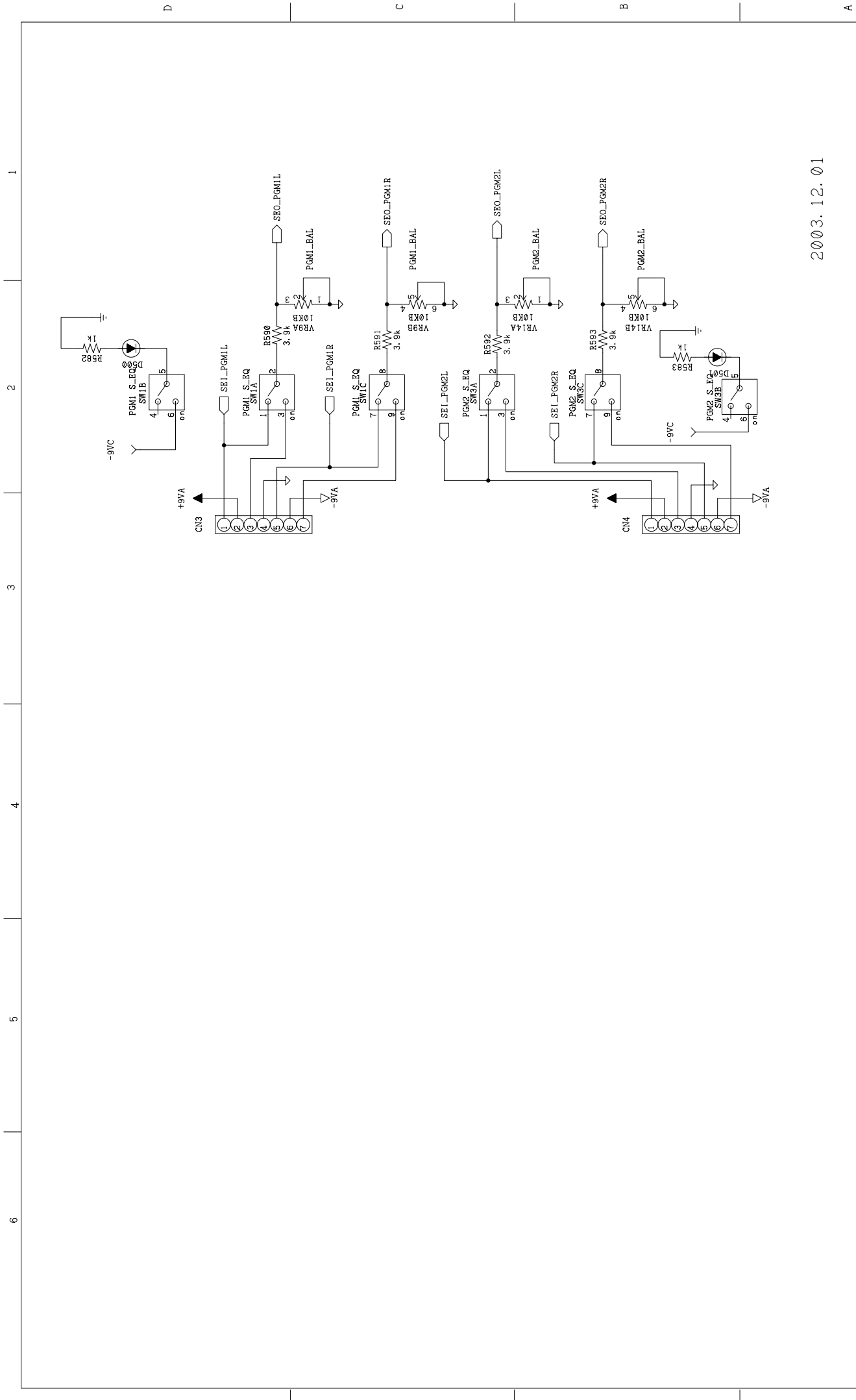
2003.12.01

REV	DESCRIPTION	QTY	PART NO	NOTE
1	ADD C1,C2 22uF/16V	2	1DD 16V	
NO	REVISION RECORD		FOR BY DATE	

SCALE	AFFECT	CHECK	DESIGN	DATE

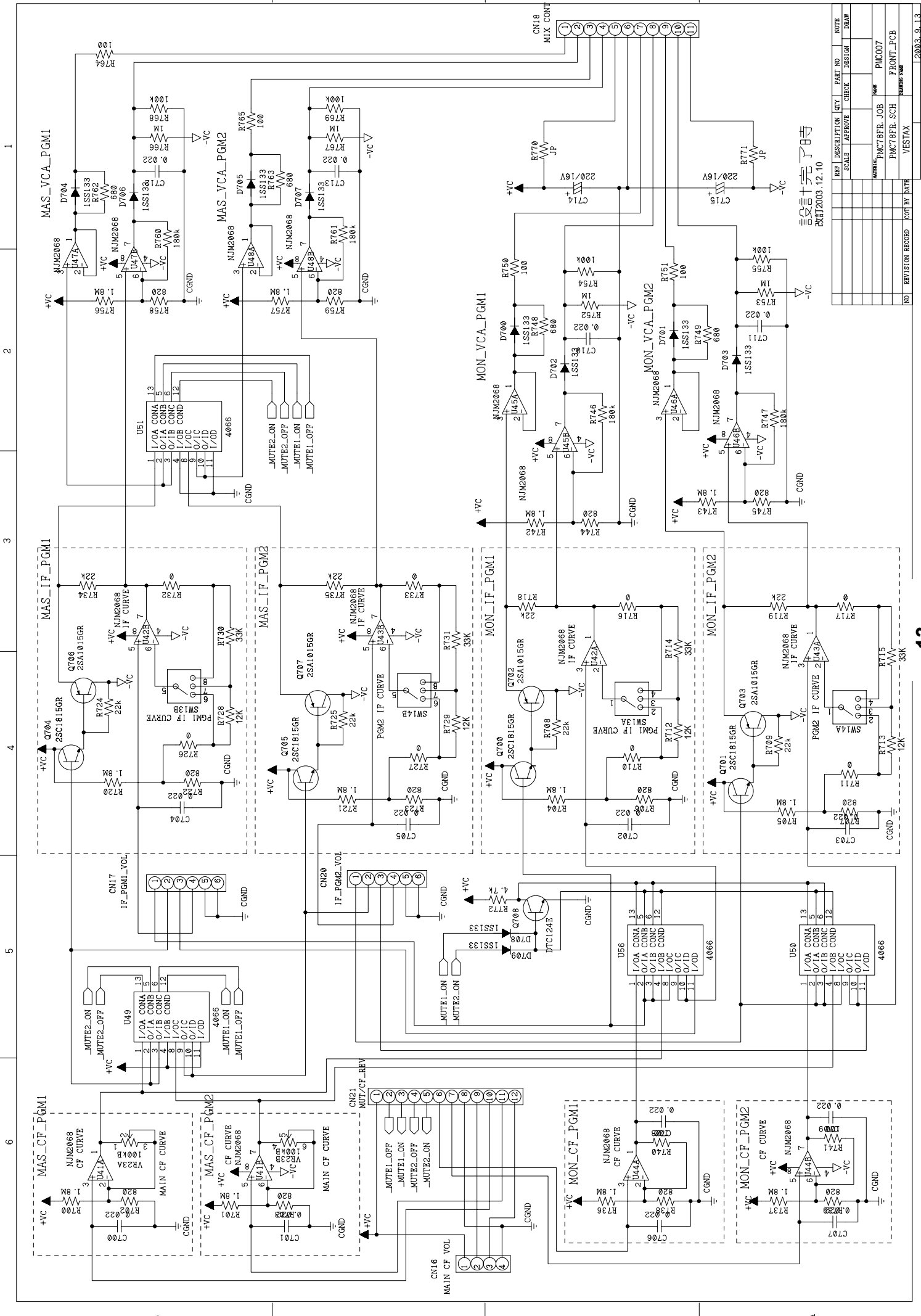
DATE	JOB	DESIGNER	DATE
2003.12.01	PMC63CT. JOB	PMC007	

NO	REVISION	RECORD	FOR BY DATE



2003.12.01

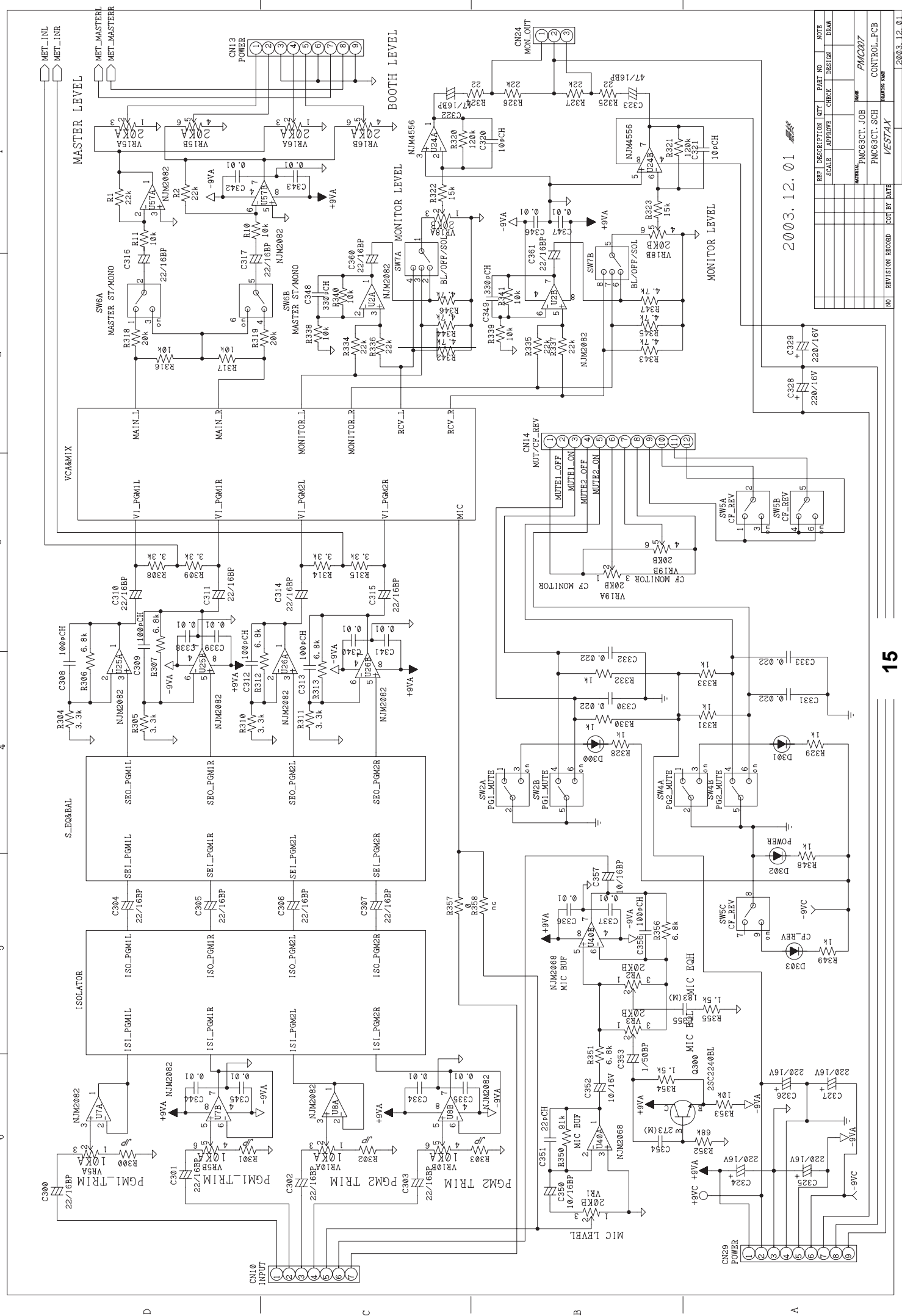
REF.	DESCRIPTION	QTY	PART NO.	NOTE	
	SCALE	APPROVE	CHECK	DESIGN	DEAW
	MATERIAL	PMCG3CT. JOB	NAME	PM0007	
	NO.	REVISION	RECORD	COPI BY	DATE
		VESTAX			2003.12.01



一言言了了時
 改訂2003.12.10

REV	DESCRIPTION	QTY	PART NO	NOTE
SCALE	APPROVE	CHECK	DESIGN	DRAW
NO	REVISION RECORD	COT BY DATE	NAME	
			PMK78FR JOB	PMK007
			PMK78FR SCH	FRONT_PCB
			NAME	NAME
			VESTAX	

1 2 3 4 5 6



2003.12.01

REV#	DESCRIPTION	QTY	PART NO.	NOTE	
1	SCALE	1	APPROVE	DESIGNER	DESIGN
MATERIAL					
PM6363CT JOB NAME					
PM6363CT.SCH CONTROL_PCB					
DRAWN					
NO					
REVISION RECORD					
DATE					
I/ESTAY					
2003.12.01					

SYMBOL#	PARTS NAME	PCB	DESCRIPTION	BRAND
C 1	E.cap	IO PCB	2200uF/25V	ELNA
C 2	E.cap	IO PCB	2200uF/25V	ELNA
C 3	C.cap	IO PCB	0.1uF	TAIYO YUDEN
C 4	C.cap	IO PCB	0.1uF	TAIYO YUDEN
C 5	E.cap	IO PCB	1000uF/16V	ELNA
C 6	E.cap	IO PCB	1000uF/16V	ELNA
C 9	E.cap	IO PCB	470uF/25V	ELNA
C 10	E.cap	IO PCB	470uF/25V	ELNA
C 11	E.cap	IO PCB	470uF/25V	ELNA
C 12	E.cap	IO PCB	470uF/25V	ELNA
C 13	E.cap	IO PCB	470uF/25V	ELNA
C 14	E.cap	IO PCB	470uF/25V	ELNA
C 110	E.cap	IO PCB	1uF/50V BP	ELNA
C 111	E.cap	IO PCB	1uF/50V BP	ELNA
C 112	C.cap	IO PCB	33PF	TAIYO YUDEN
C 113	C.cap	IO PCB	33PF	TAIYO YUDEN
C 114	E.cap	IO PCB	33uF/16V BP	ELNA
C 115	E.cap	IO PCB	33uF/16V BP	ELNA
C 116	Film	IO PCB	392(M)	NISSEI
C 117	Film	IO PCB	392(M)	NISSEI
C 118	Film	IO PCB	122(M)	NISSEI
C 119	Film	IO PCB	122(M)	NISSEI
C 120	E.cap	IO PCB	10uF/16V BP	ELNA
C 121	E.cap	IO PCB	10uF/16V BP	ELNA
C 122	E.cap	IO PCB	1uF/50V BP	ELNA
C 123	E.cap	IO PCB	1uF/50V BP	ELNA
C 124	E.cap	IO PCB	1uF/50V BP	ELNA
C 125	E.cap	IO PCB	1uF/50V BP	ELNA
C 126	C.cap	IO PCB	33PF	TAIYO YUDEN
C 127	C.cap	IO PCB	33PF	TAIYO YUDEN
C 128	E.cap	IO PCB	33uF/16V BP	ELNA
C 129	E.cap	IO PCB	33uF/16V BP	ELNA
C 130	Film	IO PCB	392(M)	NISSEI
C 131	Film	IO PCB	392(M)	NISSEI

SYMBOL#	PARTS NAME	PCB	DESCRIPTION	BRAND
C 132	Film	IO PCB	122(M)	NISSEI
C 133	Film	IO PCB	122(M)	NISSEI
C 134	E.cap	IO PCB	10uF/16V BP	ELNA
C 135	E.cap	IO PCB	10uF/16V BP	ELNA
C 136	E.cap	IO PCB	1uF/50V BP	ELNA
C 137	E.cap	IO PCB	1uF/50V BP	ELNA
C 138	E.cap	IO PCB	22uF/25V BP	ELNA
C 139	E.cap	IO PCB	22uF/25V BP	ELNA
C 140	C.cap	IO PCB	100PF	TAIYO YUDEN
C 141	C.cap	IO PCB	100PF	TAIYO YUDEN
C 142	E.cap	IO PCB	22uF/25V BP	ELNA
C 143	E.cap	IO PCB	22uF/25V BP	ELNA
C 144	C.cap	IO PCB	470PF	TAIYO YUDEN
C 145	C.cap	IO PCB	470PF	TAIYO YUDEN
C 146	E.cap	IO PCB	22uF/25V BP	ELNA
C 147	E.cap	IO PCB	22uF/25V BP	ELNA
C 148	C.cap	IO PCB	100PF	TAIYO YUDEN
C 149	C.cap	IO PCB	100PF	TAIYO YUDEN
C 150	E.cap	IO PCB	22uF/25V BP	ELNA
C 151	E.cap	IO PCB	22uF/25V BP	ELNA
C 152	C.cap	IO PCB	330PF	TAIYO YUDEN
C 153	C.cap	IO PCB	330PF	TAIYO YUDEN
C 154	E.cap	IO PCB	22uF/25V BP	ELNA
C 155	E.cap	IO PCB	22uF/25V BP	ELNA
C 156	C.cap	IO PCB	100PF	TAIYO YUDEN
C 157	C.cap	IO PCB	100PF	TAIYO YUDEN
C 158	E.cap	IO PCB	22uF/25V BP	ELNA
C 159	E.cap	IO PCB	22uF/25V BP	ELNA
C 160	C.cap	IO PCB	0.01uF	TAIYO YUDEN
C 161	C.cap	IO PCB	0.01uF	TAIYO YUDEN
C 162	C.cap	IO PCB	0.01uF	TAIYO YUDEN
C 163	C.cap	IO PCB	0.01uF	TAIYO YUDEN
C 164	C.cap	IO PCB	0.01uF	TAIYO YUDEN
C 165	C.cap	IO PCB	0.01uF	TAIYO YUDEN

SYMBOL#	PARTS NAME	PCB	DESCRIPTION	BRAND
C 166	C.cap	IO PCB	0.01uF	TAIYO YUDEN
C 167	C.cap	IO PCB	0.01uF	TAIYO YUDEN
C 168	C.cap	IO PCB	0.01uF	TAIYO YUDEN
C 169	C.cap	IO PCB	0.01uF	TAIYO YUDEN
C 170	C.cap	IO PCB	0.01uF	TAIYO YUDEN
C 171	C.cap	IO PCB	0.01uF	TAIYO YUDEN
C 172	C.cap	IO PCB	0.01uF	TAIYO YUDEN
C 173	C.cap	IO PCB	0.01uF	TAIYO YUDEN
CN 1	CONNECTOR	IO PCB	CONNECTOR B(6P_SAN) PGM2 IS	JST
CN 2	CONNECTOR	IO PCB	CONNECTOR B(6P_SAN) PGM1 IS	JST
CN 3	CONNECTOR	IO PCB	B_9B-PH-K-S INPUT	JST
CN 5	CONNECTOR	IO PCB	B_9B-PH-K-S MASTER OUT	JST
CN 6	CONNECTOR	IO PCB	B_6B-PH-K-S AUX SEND/RTN	JST
CN 7	CONNECTOR	IO PCB	B_4B-PH-K-S LINE OUT	JST
CN 25	CONNECTOR	IO PCB	B_9B-PH-K-S POWER	JST
CN 28	CONNECTOR	IO PCB	B_6B-PH-K-S MIC IN/OUT	JST
D 1	DIODE	IO PCB	1SR139	ROHM
D 2	DIODE	IO PCB	1SR139	ROHM
J 1	RCA PIN JACK	IO PCB	4P RCA PIN JACK PGM1/2 IN	EMUDEN
J 2	RCA PIN JACK	IO PCB	4P RCA PIN JACK PGM1/2 IN	EMUDEN
J 3	RCA PIN JACK	IO PCB	6P RCA PIN JACK SEND/RTN/BOOTH	EMUDEN
J 4	XLR JACK	IO PCB	NC3MAH MASTER OUT(BAL)	PROEL
J 7	XLR JACK	IO PCB	NC3MAH MASTER OUT(BAL)	PROEL
J 9	AC JACK	IO PCB	HEC2711-01-620 AC IN	HOSHIDEN
Q 1	TRANSISTOR	IO PCB	2SC2236	TOSHIBA
Q 2	TRANSISTOR	IO PCB	2SA966	TOSHIBA
R 1	RESISTOR	IO PCB	22k ohm 1/4W	ROHM
R 2	RESISTOR	IO PCB	22k ohm 1/4W	ROHM
R 3	RESISTOR	IO PCB	100 ohm 1/4W	ROHM
R 4	RESISTOR	IO PCB	100 ohm 1/4W	ROHM
R 5	RESISTOR	IO PCB	22 ohm 1/4W	ROHM
R 6	RESISTOR	IO PCB	22 ohm 1/4W	ROHM
R 110	RESISTOR	IO PCB	390k ohm 1/4W	ROHM
R 111	RESISTOR	IO PCB	390k ohm 1/4W	ROHM

SYMBOL#	PARTS NAME	PCB	DESCRIPTION	BRAND
R 112	RESISTOR	IO PCB	56k ohm 1/4W	ROHM
R 113	RESISTOR	IO PCB	56k ohm 1/4W	ROHM
R 114	RESISTOR	IO PCB	1k ohm 1/4W	ROHM
R 115	RESISTOR	IO PCB	1k ohm 1/4W	ROHM
R 116	RESISTOR	IO PCB	1.5k ohm 1/4W	ROHM
R 117	RESISTOR	IO PCB	1.5k ohm 1/4W	ROHM
R 118	RESISTOR	IO PCB	820k ohm 1/4W	ROHM
R 119	RESISTOR	IO PCB	820k ohm 1/4W	ROHM
R 120	RESISTOR	IO PCB	68k ohm 1/4W	ROHM
R 121	RESISTOR	IO PCB	68k ohm 1/4W	ROHM
R 122	RESISTOR	IO PCB	47k ohm 1/4W	ROHM
R 123	RESISTOR	IO PCB	47k ohm 1/4W	ROHM
R 124	RESISTOR	IO PCB	220 ohm 1/4W	ROHM
R 125	RESISTOR	IO PCB	220 ohm 1/4W	ROHM
R 126	RESISTOR	IO PCB	100k ohm 1/4W	ROHM
R 127	RESISTOR	IO PCB	100k ohm 1/4W	ROHM
R 128	RESISTOR	IO PCB	47k ohm 1/4W	ROHM
R 129	RESISTOR	IO PCB	47k ohm 1/4W	ROHM
R 130	RESISTOR	IO PCB	10k ohm 1/4W	ROHM
R 131	RESISTOR	IO PCB	10k ohm 1/4W	ROHM
R 132	RESISTOR	IO PCB	390k ohm 1/4W	ROHM
R 133	RESISTOR	IO PCB	390k ohm 1/4W	ROHM
R 134	RESISTOR	IO PCB	56k ohm 1/4W	ROHM
R 135	RESISTOR	IO PCB	56k ohm 1/4W	ROHM
R 136	RESISTOR	IO PCB	1k ohm 1/4W	ROHM
R 137	RESISTOR	IO PCB	1k ohm 1/4W	ROHM
R 138	RESISTOR	IO PCB	1.5k ohm 1/4W	ROHM
R 139	RESISTOR	IO PCB	1.5k ohm 1/4W	ROHM
R 140	RESISTOR	IO PCB	820k ohm 1/4W	ROHM
R 141	RESISTOR	IO PCB	820k ohm 1/4W	ROHM
R 142	RESISTOR	IO PCB	68k ohm 1/4W	ROHM
R 143	RESISTOR	IO PCB	68k ohm 1/4W	ROHM
R 144	RESISTOR	IO PCB	47k ohm 1/4W	ROHM
R 145	RESISTOR	IO PCB	47k ohm 1/4W	ROHM

SYMBOL#	PARTS NAME	PCB	DESCRIPTION	BRAND
R 146	RESISTOR	IO PCB	220 ohm 1/4W	ROHM
R 147	RESISTOR	IO PCB	220 ohm 1/4W	ROHM
R 148	RESISTOR	IO PCB	100k ohm 1/4W	ROHM
R 149	RESISTOR	IO PCB	100k ohm 1/4W	ROHM
R 150	RESISTOR	IO PCB	47k ohm 1/4W	ROHM
R 151	RESISTOR	IO PCB	47k ohm 1/4W	ROHM
R 152	RESISTOR	IO PCB	10k ohm 1/4W	ROHM
R 153	RESISTOR	IO PCB	10k ohm 1/4W	ROHM
R 154	RESISTOR	IO PCB	220 ohm 1/4W	ROHM
R 155	RESISTOR	IO PCB	220 ohm 1/4W	ROHM
R 156	RESISTOR	IO PCB	47k ohm 1/4W	ROHM
R 157	RESISTOR	IO PCB	47k ohm 1/4W	ROHM
R 158	RESISTOR	IO PCB	3.9k ohm 1/4W	ROHM
R 159	RESISTOR	IO PCB	3.9k ohm 1/4W	ROHM
R 160	RESISTOR	IO PCB	22k ohm 1/4W	ROHM
R 161	RESISTOR	IO PCB	22k ohm 1/4W	ROHM
R 162	RESISTOR	IO PCB	47k ohm 1/4W	ROHM
R 163	RESISTOR	IO PCB	47k ohm 1/4W	ROHM
R 164	RESISTOR	IO PCB	10k ohm 1/4W	ROHM
R 165	RESISTOR	IO PCB	10k ohm 1/4W	ROHM
R 166	RESISTOR	IO PCB	4.7k ohm 1/4W	ROHM
R 167	RESISTOR	IO PCB	4.7k ohm 1/4W	ROHM
R 168	RESISTOR	IO PCB	2.2k ohm 1/4W	ROHM
R 169	RESISTOR	IO PCB	2.2k ohm 1/4W	ROHM
R 170	RESISTOR	IO PCB	22k ohm 1/4W	ROHM
R 171	RESISTOR	IO PCB	22k ohm 1/4W	ROHM
R 172	RESISTOR	IO PCB	10k ohm 1/4W	ROHM
R 173	RESISTOR	IO PCB	10k ohm 1/4W	ROHM
R 174	RESISTOR	IO PCB	10k ohm 1/4W	ROHM
R 175	RESISTOR	IO PCB	10k ohm 1/4W	ROHM
R 176	RESISTOR	IO PCB	220 ohm 1/4W	ROHM
R 177	RESISTOR	IO PCB	220 ohm 1/4W	ROHM
R 178	RESISTOR	IO PCB	47k ohm 1/4W	ROHM
R 179	RESISTOR	IO PCB	47k ohm 1/4W	ROHM

SYMBOL#	PARTS NAME	PCB	DESCRIPTION	BRAND
R 180	RESISTOR	IO PCB	220 ohm 1/4W	ROHM
R 181	RESISTOR	IO PCB	220 ohm 1/4W	ROHM
R 182	RESISTOR	IO PCB	47k ohm 1/4W	ROHM
R 183	RESISTOR	IO PCB	47k ohm 1/4W	ROHM
R 184	RESISTOR	IO PCB	220 ohm 1/4W	ROHM
R 185	RESISTOR	IO PCB	220 ohm 1/4W	ROHM
R 186	RESISTOR	IO PCB	2.2k ohm 1/4W	ROHM
R 187	RESISTOR	IO PCB	2.2k ohm 1/4W	ROHM
R 188	RESISTOR	IO PCB	22k ohm 1/4W	ROHM
R 189	RESISTOR	IO PCB	22k ohm 1/4W	ROHM
R 190	RESISTOR	IO PCB	47k ohm 1/4W	ROHM
R 191	RESISTOR	IO PCB	47k ohm 1/4W	ROHM
R 192	RESISTOR	IO PCB	220 ohm 1/4W	ROHM
R 193	RESISTOR	IO PCB	220 ohm 1/4W	ROHM
SW 10	POWER SW	IO PCB	SDDL	ALPS
U 1	IC	IO PCB	NJM2082	JRC
U 2	IC	IO PCB	NJM2082	JRC
U 4	IC	IO PCB	NJM2082	JRC
U 5	IC	IO PCB	NJM2082	JRC
U 6	IC	IO PCB	NJM2082	JRC
U 33	IC	IO PCB	NJM2082	JRC
U 38	IC	IO PCB	NJM2082	JRC
U 100	IC	IO PCB	NJM7809	JRC
U 101	IC	IO PCB	NJM7909	JRC
C 700	C.cap	FRONT PCB	0.022uF	TAIYO YUDEN
C 701	C.cap	FRONT PCB	0.022uF	TAIYO YUDEN
C 702	C.cap	FRONT PCB	0.022uF	TAIYO YUDEN
C 703	C.cap	FRONT PCB	0.022uF	TAIYO YUDEN
C 704	C.cap	FRONT PCB	0.022uF	TAIYO YUDEN
C 705	C.cap	FRONT PCB	0.022uF	TAIYO YUDEN
C 706	C.cap	FRONT PCB	0.022uF	TAIYO YUDEN
C 707	C.cap	FRONT PCB	0.022uF	TAIYO YUDEN
C 708	C.cap	FRONT PCB	0.022uF	TAIYO YUDEN
C 709	C.cap	FRONT PCB	0.022uF	TAIYO YUDEN

SYMBOL#	PARTS NAME	PCB	DESCRIPTION	BRAND
C 710	C.cap	FRONT PCB	0.022uF	TAIYO YUDEN
C 711	C.cap	FRONT PCB	0.022uF	TAIYO YUDEN
C 712	C.cap	FRONT PCB	0.022uF	TAIYO YUDEN
C 713	C.cap	FRONT PCB	0.022uF	TAIYO YUDEN
C 714	E.cap	FRONT PCB	220uF/16V	ELNA
C 715	E.cap	FRONT PCB	220uF/16V	ELNA
CN 16	CONNECTOR	FRONT PCB	CONNECTOR M(4PSAN) MAIN CF VOL	
CN 17	CONNECTOR	FRONT PCB	CONNECTOR H(6PSAN) IF PGM1 VOL	
CN 18	CONNECTOR	FRONT PCB	B11B-PH-K-S MIX CONT	JST
CN 20	CONNECTOR	FRONT PCB	CONNECTOR H(6PSAN) IF PGM2 VOL	
CN 21	CONNECTOR	FRONT PCB	B12B-PH-K-S MUT/CF REV	JST
D 700	DIODE	FRONT PCB	1SS133	ROHM
D 701	DIODE	FRONT PCB	1SS133	ROHM
D 702	DIODE	FRONT PCB	1SS133	ROHM
D 703	DIODE	FRONT PCB	1SS133	ROHM
D 704	DIODE	FRONT PCB	1SS133	ROHM
D 705	DIODE	FRONT PCB	1SS133	ROHM
D 706	DIODE	FRONT PCB	1SS133	ROHM
D 707	DIODE	FRONT PCB	1SS133	ROHM
D 708	DIODE	FRONT PCB	1SS133	ROHM
D 709	DIODE	FRONT PCB	1SS133	ROHM
Q 700	TRANSISTOR	FRONT PCB	2SC1815GR	TOSHIBA
Q 701	TRANSISTOR	FRONT PCB	2SC1815GR	TOSHIBA
Q 702	TRANSISTOR	FRONT PCB	2SA1015GR	TOSHIBA
Q 703	TRANSISTOR	FRONT PCB	2SA1015GR	TOSHIBA
Q 704	TRANSISTOR	FRONT PCB	2SC1815GR	TOSHIBA
Q 705	TRANSISTOR	FRONT PCB	2SC1815GR	TOSHIBA
Q 706	TRANSISTOR	FRONT PCB	2SA1015GR	TOSHIBA
Q 707	TRANSISTOR	FRONT PCB	2SA1015GR	TOSHIBA
Q 708	TRANSISTOR	FRONT PCB	DTC124E	ROHM
R 700	RESISTOR	FRONT PCB	1.8M ohm 1/4W	ROHM
R 701	RESISTOR	FRONT PCB	1.8M ohm 1/4W	ROHM
R 702	RESISTOR	FRONT PCB	820 ohm 1/4W	ROHM
R 703	RESISTOR	FRONT PCB	820 ohm 1/4W	ROHM

SYMBOL#	PARTS NAME	PCB	DESCRIPTION	BRAND
R 704	RESISTOR	FRONT PCB	1.8M ohm 1/4W	ROHM
R 705	RESISTOR	FRONT PCB	1.8M ohm 1/4W	ROHM
R 706	RESISTOR	FRONT PCB	820 ohm 1/4W	ROHM
R 707	RESISTOR	FRONT PCB	820 ohm 1/4W	ROHM
R 708	RESISTOR	FRONT PCB	22k ohm 1/4W	ROHM
R 709	RESISTOR	FRONT PCB	22k ohm 1/4W	ROHM
R 710	RESISTOR	FRONT PCB	0 ohm 1/4W	ROHM
R 711	RESISTOR	FRONT PCB	0 ohm 1/4W	ROHM
R 712	RESISTOR	FRONT PCB	47k ohm 1/4W	ROHM
R 713	RESISTOR	FRONT PCB	47k ohm 1/4W	ROHM
R 714	RESISTOR	FRONT PCB	47k ohm 1/4W	ROHM
R 715	RESISTOR	FRONT PCB	47k ohm 1/4W	ROHM
R 716	RESISTOR	FRONT PCB	0 ohm 1/4W	ROHM
R 717	RESISTOR	FRONT PCB	0 ohm 1/4W	ROHM
R 718	RESISTOR	FRONT PCB	22k ohm 1/4W	ROHM
R 719	RESISTOR	FRONT PCB	22k ohm 1/4W	ROHM
R 720	RESISTOR	FRONT PCB	1.8M ohm 1/4W	ROHM
R 721	RESISTOR	FRONT PCB	1.8M ohm 1/4W	ROHM
R 722	RESISTOR	FRONT PCB	820 ohm 1/4W	ROHM
R 723	RESISTOR	FRONT PCB	820 ohm 1/4W	ROHM
R 724	RESISTOR	FRONT PCB	22k ohm 1/4W	ROHM
R 725	RESISTOR	FRONT PCB	22k ohm 1/4W	ROHM
R 726	RESISTOR	FRONT PCB	0 ohm 1/4W	ROHM
R 727	RESISTOR	FRONT PCB	0 ohm 1/4W	ROHM
R 728	RESISTOR	FRONT PCB	47k ohm 1/4W	ROHM
R 729	RESISTOR	FRONT PCB	47k ohm 1/4W	ROHM
R 730	RESISTOR	FRONT PCB	47k ohm 1/4W	ROHM
R 731	RESISTOR	FRONT PCB	47k ohm 1/4W	ROHM
R 732	RESISTOR	FRONT PCB	0 ohm 1/4W	ROHM
R 733	RESISTOR	FRONT PCB	0 ohm 1/4W	ROHM
R 734	RESISTOR	FRONT PCB	22k ohm 1/4W	ROHM
R 735	RESISTOR	FRONT PCB	22k ohm 1/4W	ROHM
R 736	RESISTOR	FRONT PCB	1.8M ohm 1/4W	ROHM
R 737	RESISTOR	FRONT PCB	1.8M ohm 1/4W	ROHM

SYMBOL#	PARTS NAME	PCB	DESCRIPTION	BRAND
R 738	RESISTOR	FRONT PCB	820 ohm 1/4W	ROHM
R 739	RESISTOR	FRONT PCB	820 ohm 1/4W	ROHM
R 740	RESISTOR	FRONT PCB	100 ohm 1/4W	ROHM
R 741	RESISTOR	FRONT PCB	100 ohm 1/4W	ROHM
R 742	RESISTOR	FRONT PCB	1.8M ohm 1/4W	ROHM
R 743	RESISTOR	FRONT PCB	1.8M ohm 1/4W	ROHM
R 744	RESISTOR	FRONT PCB	820 ohm 1/4W	ROHM
R 745	RESISTOR	FRONT PCB	820 ohm 1/4W	ROHM
R 746	RESISTOR	FRONT PCB	180k ohm 1/4W	ROHM
R 747	RESISTOR	FRONT PCB	180k ohm 1/4W	ROHM
R 748	RESISTOR	FRONT PCB	680 ohm 1/4W	ROHM
R 749	RESISTOR	FRONT PCB	680 ohm 1/4W	ROHM
R 750	RESISTOR	FRONT PCB	100 ohm 1/4W	ROHM
R 751	RESISTOR	FRONT PCB	100 ohm 1/4W	ROHM
R 752	RESISTOR	FRONT PCB	1M ohm 1/4W	ROHM
R 753	RESISTOR	FRONT PCB	1M ohm 1/4W	ROHM
R 754	RESISTOR	FRONT PCB	100k ohm 1/4W	ROHM
R 755	RESISTOR	FRONT PCB	100k ohm 1/4W	ROHM
R 756	RESISTOR	FRONT PCB	1.8M ohm 1/4W	ROHM
R 757	RESISTOR	FRONT PCB	1.8M ohm 1/4W	ROHM
R 758	RESISTOR	FRONT PCB	820 ohm 1/4W	ROHM
R 759	RESISTOR	FRONT PCB	820 ohm 1/4W	ROHM
R 760	RESISTOR	FRONT PCB	180k ohm 1/4W	ROHM
R 761	RESISTOR	FRONT PCB	180k ohm 1/4W	ROHM
R 762	RESISTOR	FRONT PCB	680 ohm 1/4W	ROHM
R 763	RESISTOR	FRONT PCB	680 ohm 1/4W	ROHM
R 764	RESISTOR	FRONT PCB	100 ohm 1/4W	ROHM
R 765	RESISTOR	FRONT PCB	100 ohm 1/4W	ROHM
R 766	RESISTOR	FRONT PCB	1M ohm 1/4W	ROHM
R 767	RESISTOR	FRONT PCB	1M ohm 1/4W	ROHM
R 768	RESISTOR	FRONT PCB	100k ohm 1/4W	ROHM
R 769	RESISTOR	FRONT PCB	100k ohm 1/4W	ROHM
R 770	RESISTOR	FRONT PCB	JP	ROHM
R 771	RESISTOR	FRONT PCB	JP	ROHM

SYMBOL#	PARTS NAME	PCB	DESCRIPTION	BRAND
R 772	RESISTOR	FRONT PCB	4.7k ohm 1/4W	ROHM
SW 13	LEVER SW	FRONT PCB	LBC23M12K SILVER IF CURVE	SANSEI
SW 14	LEVER SW	FRONT PCB	LBC23M13K SILVER IF CURVE	SANSEI
U 41	IC	FRONT PCB	NJM2068 CF CURVE	JRC
U 42	IC	FRONT PCB	NJM2068 IF CURVE	JRC
U 43	IC	FRONT PCB	NJM2068 IF CURVE	JRC
U 44	IC	FRONT PCB	NJM2068 CF CURVE	JRC
U 45	IC	FRONT PCB	NJM2068 VCA DRIVE	JRC
U 46	IC	FRONT PCB	NJM2068 VCA DRIVE	JRC
U 47	IC	FRONT PCB	NJM2068 VCA DRIVE	JRC
U 48	IC	FRONT PCB	NJM2068 VCA DRIVE	JRC
U 49	IC	FRONT PCB	TC4066BP	TOSHIBA
U 50	IC	FRONT PCB	TC4066BP	TOSHIBA
U 51	IC	FRONT PCB	TC4066BP	TOSHIBA
U 56	IC	FRONT PCB	TC4066BP	TOSHIBA
VR 23	R/VR	FRONT PCB	RK09L1240-D15-C0-B104 100kBX2	ALPS
C 1	E.cap	CTL PCB	22uF/16V BP	ELNA
C 2	E.cap	CTL PCB	22uF/16V BP	ELNA
C 200	E.cap	CTL PCB	10uF/16V	ELNA
C 201	E.cap	CTL PCB	10uF/16V	ELNA
C 202	E.cap	CTL PCB	2.2uF/50V	ELNA
C 203	E.cap	CTL PCB	2.2uF/50V	ELNA
C 204	E.cap	CTL PCB	220uF/16V	ELNA
C 300	E.cap	CTL PCB	22uF/16V BP	ELNA
C 301	E.cap	CTL PCB	22uF/16V BP	ELNA
C 302	E.cap	CTL PCB	22uF/16V BP	ELNA
C 303	E.cap	CTL PCB	22uF/16V BP	ELNA
C 304	E.cap	CTL PCB	22uF/16V BP	ELNA
C 305	E.cap	CTL PCB	22uF/16V BP	ELNA
C 306	E.cap	CTL PCB	22uF/16V BP	ELNA
C 307	E.cap	CTL PCB	22uF/16V BP	ELNA
C 308	C.cap	CTL PCB	100PF	TAIYO YUDEN
C 309	C.cap	CTL PCB	100PF	TAIYO YUDEN
C 310	E.cap	CTL PCB	22uF/16V BP	ELNA

SYMBOL#	PARTS NAME	PCB	DESCRIPTION	BRAND
C 311	E.cap	CTL PCB	22uF/16V BP	ELNA
C 312	C.cap	CTL PCB	100PF	TAIYO YUDEN
C 313	C.cap	CTL PCB	100PF	TAIYO YUDEN
C 314	E.cap	CTL PCB	22uF/16V BP	ELNA
C 315	E.cap	CTL PCB	22uF/16V BP	ELNA
C 316	E.cap	CTL PCB	22uF/16V BP	ELNA
C 317	E.cap	CTL PCB	22uF/16V BP	ELNA
C 320	C.cap	CTL PCB	10PF	TAIYO YUDEN
C 321	C.cap	CTL PCB	10PF	TAIYO YUDEN
C 322	E.cap	CTL PCB	47uF/16V BP	ELNA
C 323	E.cap	CTL PCB	47uF/16V BP	ELNA
C 324	E.cap	CTL PCB	220uF/16V	ELNA
C 325	E.cap	CTL PCB	220uF/16V	ELNA
C 326	E.cap	CTL PCB	220uF/16V	ELNA
C 327	E.cap	CTL PCB	220uF/16V	ELNA
C 328	E.cap	CTL PCB	220uF/16V	ELNA
C 329	E.cap	CTL PCB	220uF/16V	ELNA
C 330	C.cap	CTL PCB	0.022uF	TAIYO YUDEN
C 331	C.cap	CTL PCB	0.022uF	TAIYO YUDEN
C 332	C.cap	CTL PCB	0.022uF	TAIYO YUDEN
C 333	C.cap	CTL PCB	0.022uF	TAIYO YUDEN
C 334	C.cap	CTL PCB	0.01uF	TAIYO YUDEN
C 335	C.cap	CTL PCB	0.01uF	TAIYO YUDEN
C 336	C.cap	CTL PCB	0.01uF	TAIYO YUDEN
C 337	C.cap	CTL PCB	0.01uF	TAIYO YUDEN
C 338	C.cap	CTL PCB	0.01uF	TAIYO YUDEN
C 339	C.cap	CTL PCB	0.01uF	TAIYO YUDEN
C 340	C.cap	CTL PCB	0.01uF	TAIYO YUDEN
C 341	C.cap	CTL PCB	0.01uF	TAIYO YUDEN
C 342	C.cap	CTL PCB	0.01uF	TAIYO YUDEN
C 343	C.cap	CTL PCB	0.01uF	TAIYO YUDEN
C 344	C.cap	CTL PCB	0.01uF	TAIYO YUDEN
C 345	C.cap	CTL PCB	0.01uF	TAIYO YUDEN
C 346	C.cap	CTL PCB	0.01uF	TAIYO YUDEN

SYMBOL#	PARTS NAME	PCB	DESCRIPTION	BRAND
C 347	C.cap	CTL PCB	0.01uF	TAIYO YUDEN
C 348	C.cap	CTL PCB	330PF	TAIYO YUDEN
C 349	C.cap	CTL PCB	330PF	TAIYO YUDEN
C 350	E.cap	CTL PCB	10uF/16V BP	ELNA
C 351	C.cap	CTL PCB	22PF	TAIYO YUDEN
C 352	E.cap	CTL PCB	10uF/16V BP	ELNA
C 353	E.cap	CTL PCB	1uF/50V BP	ELNA
C 354	Film	CTL PCB	273(M)	NISSEI
C 355	Film	CTL PCB	183(M)	NISSEI
C 356	C.cap	CTL PCB	100PF	TAIYO YUDEN
C 357	E.cap	CTL PCB	10uF/16V BP	ELNA
C 360	E.cap	CTL PCB	22uF/16V BP	ELNA
C 361	E.cap	CTL PCB	22uF/16V BP	ELNA
C 400	Film	CTL PCB	473(M)	NISSEI
C 401	Film	CTL PCB	473(M)	NISSEI
C 402	Film	CTL PCB	272(M)	NISSEI
C 403	Film	CTL PCB	272(M)	NISSEI
C 404	Film	CTL PCB	272(M)	NISSEI
C 405	Film	CTL PCB	272(M)	NISSEI
C 406	Film	CTL PCB	473(M)	NISSEI
C 407	Film	CTL PCB	473(M)	NISSEI
C 408	Film	CTL PCB	123(M)	NISSEI
C 409	Film	CTL PCB	123(M)	NISSEI
C 410	Film	CTL PCB	123(M)	NISSEI
C 411	Film	CTL PCB	123(M)	NISSEI
C 412	Film	CTL PCB	473(M)	NISSEI
C 413	Film	CTL PCB	473(M)	NISSEI
C 414	Film	CTL PCB	123(M)	NISSEI
C 415	Film	CTL PCB	123(M)	NISSEI
C 416	Film	CTL PCB	272(M)	NISSEI
C 417	Film	CTL PCB	272(M)	NISSEI
C 418	Film	CTL PCB	473(M)	NISSEI
C 419	Film	CTL PCB	473(M)	NISSEI
C 420	Film	CTL PCB	123(M)	NISSEI

SYMBOL#	PARTS NAME	PCB	DESCRIPTION	BRAND
C 421	Film	CTL PCB	123(M)	NISSEI
C 422	Film	CTL PCB	272(M)	NISSEI
C 423	Film	CTL PCB	272(M)	NISSEI
C 424	E.cap	CTL PCB	10uF/16V BP	ELNA
C 425	E.cap	CTL PCB	10uF/16V BP	ELNA
C 426	C.cap	CTL PCB	100PF	TAIYO YUDEN
C 427	C.cap	CTL PCB	100PF	TAIYO YUDEN
C 428	Film	CTL PCB	473(M)	NISSEI
C 429	Film	CTL PCB	473(M)	NISSEI
C 430	Film	CTL PCB	272(M)	NISSEI
C 431	Film	CTL PCB	272(M)	NISSEI
C 432	Film	CTL PCB	272(M)	NISSEI
C 433	Film	CTL PCB	272(M)	NISSEI
C 434	Film	CTL PCB	473(M)	NISSEI
C 435	Film	CTL PCB	473(M)	NISSEI
C 436	Film	CTL PCB	123(M)	NISSEI
C 437	Film	CTL PCB	123(M)	NISSEI
C 438	Film	CTL PCB	123(M)	NISSEI
C 439	Film	CTL PCB	123(M)	NISSEI
C 440	Film	CTL PCB	473(M)	NISSEI
C 441	Film	CTL PCB	473(M)	NISSEI
C 442	Film	CTL PCB	123(M)	NISSEI
C 443	Film	CTL PCB	123(M)	NISSEI
C 444	Film	CTL PCB	272(M)	NISSEI
C 445	Film	CTL PCB	272(M)	NISSEI
C 446	Film	CTL PCB	473(M)	NISSEI
C 447	Film	CTL PCB	473(M)	NISSEI
C 448	Film	CTL PCB	123(M)	NISSEI
C 449	Film	CTL PCB	123(M)	NISSEI
C 450	Film	CTL PCB	272(M)	NISSEI
C 451	Film	CTL PCB	272(M)	NISSEI
C 452	E.cap	CTL PCB	10uF/16V BP	ELNA
C 453	E.cap	CTL PCB	10uF/16V BP	ELNA
C 454	C.cap	CTL PCB	100PF	TAIYO YUDEN

SYMBOL#	PARTS NAME	PCB	DESCRIPTION	BRAND
C 455	C.cap	CTL PCB	100PF	TAIYO YUDEN
C 456	C.cap	CTL PCB	0.01uF	TAIYO YUDEN
C 457	C.cap	CTL PCB	0.01uF	TAIYO YUDEN
C 458	C.cap	CTL PCB	0.01uF	TAIYO YUDEN
C 459	C.cap	CTL PCB	0.01uF	TAIYO YUDEN
C 460	C.cap	CTL PCB	0.01uF	TAIYO YUDEN
C 461	C.cap	CTL PCB	0.01uF	TAIYO YUDEN
C 462	C.cap	CTL PCB	0.01uF	TAIYO YUDEN
C 463	C.cap	CTL PCB	0.01uF	TAIYO YUDEN
C 468	C.cap	CTL PCB	0.01uF	TAIYO YUDEN
C 469	C.cap	CTL PCB	0.01uF	TAIYO YUDEN
C 470	C.cap	CTL PCB	0.01uF	TAIYO YUDEN
C 471	C.cap	CTL PCB	0.01uF	TAIYO YUDEN
C 472	C.cap	CTL PCB	0.01uF	TAIYO YUDEN
C 473	C.cap	CTL PCB	0.01uF	TAIYO YUDEN
C 474	C.cap	CTL PCB	0.01uF	TAIYO YUDEN
C 475	C.cap	CTL PCB	0.01uF	TAIYO YUDEN
C 476	C.cap	CTL PCB	0.01uF	TAIYO YUDEN
C 477	C.cap	CTL PCB	0.01uF	TAIYO YUDEN
C 478	C.cap	CTL PCB	0.01uF	TAIYO YUDEN
C 479	C.cap	CTL PCB	0.01uF	TAIYO YUDEN
C 600	E.cap	CTL PCB	22uF/16V BP	ELNA
C 601	E.cap	CTL PCB	22uF/16V BP	ELNA
C 602	C.cap	CTL PCB	100PF	TAIYO YUDEN
C 603	C.cap	CTL PCB	100PF	TAIYO YUDEN
C 604	E.cap	CTL PCB	22uF/16V BP	ELNA
C 605	E.cap	CTL PCB	22uF/16V BP	ELNA
C 606	C.cap	CTL PCB	100PF	TAIYO YUDEN
C 607	C.cap	CTL PCB	100PF	TAIYO YUDEN
C 608	E.cap	CTL PCB	22uF/16V BP	ELNA
C 609	E.cap	CTL PCB	22uF/16V BP	ELNA
C 610	C.cap	CTL PCB	100PF	TAIYO YUDEN
C 611	C.cap	CTL PCB	100PF	TAIYO YUDEN
C 612	E.cap	CTL PCB	22uF/16V BP	ELNA

SYMBOL#	PARTS NAME	PCB	DESCRIPTION	BRAND
C 613	E.cap	CTL PCB	22uF/16V BP	ELNA
C 614	E.cap	CTL PCB	22uF/16V BP	ELNA
C 615	E.cap	CTL PCB	22uF/16V BP	ELNA
C 616	E.cap	CTL PCB	22uF/16V BP	ELNA
C 617	E.cap	CTL PCB	22uF/16V BP	ELNA
C 618	C.cap	CTL PCB	0.01uF	TAIYO YUDEN
C 619	C.cap	CTL PCB	0.01uF	TAIYO YUDEN
C 620	C.cap	CTL PCB	0.01uF	TAIYO YUDEN
C 621	C.cap	CTL PCB	0.01uF	TAIYO YUDEN
C 622	C.cap	CTL PCB	0.01uF	TAIYO YUDEN
C 623	C.cap	CTL PCB	0.01uF	TAIYO YUDEN
C 624	C.cap	CTL PCB	0.01uF	TAIYO YUDEN
C 625	C.cap	CTL PCB	0.01uF	TAIYO YUDEN
C 626	C.cap	CTL PCB	0.01uF	TAIYO YUDEN
C 627	C.cap	CTL PCB	0.01uF	TAIYO YUDEN
C 628	C.cap	CTL PCB	0.01uF	TAIYO YUDEN
C 629	C.cap	CTL PCB	0.01uF	TAIYO YUDEN
C 630	C.cap	CTL PCB	0.01uF	TAIYO YUDEN
C 631	C.cap	CTL PCB	0.01uF	TAIYO YUDEN
C 632	E.cap	CTL PCB	22uF/16V BP	ELNA
C 633	E.cap	CTL PCB	22uF/16V BP	ELNA
CN 3	CONNECTOR	CTL PCB	07JQ- BT	JST
CN 4	CONNECTOR	CTL PCB	07JQ- BT	JST
CN 10	CONNECTOR	CTL PCB	CONNECTOR E(7PSAN) INPUT	JST
CN 11	CONNECTOR	CTL PCB	CONNECTOR D(6PSAN) AUX SED/RTN	JST
CN 13	CONNECTOR	CTL PCB	CONNECTOR F(9PSAN) BOOTH OUT	JST
CN 14	CONNECTOR	CTL PCB	CONNECTOR J(12PSAN) MUT/CF REV	JST
CN 24	CONNECTOR	CTL PCB	CONNECTOR L(3PSAN) MONITOR OUT	JST
CN 29	CONNECTOR	CTL PCB	CONNECTOR G(9PSAN) POWER	JST
CN 151	CONNECTOR	CTL PCB	CONNECTOR I(4PSAN) MAIN MIX CONT	JST
CN 152	CONNECTOR	CTL PCB	CONNECTOR I(7PSAN) MON MIX CONT	JST
D 200	DIODE	CTL PCB	GL107M8 LEVEL LED	SHARP
D 201	DIODE	CTL PCB	GL107M8 LEVEL LED	SHARP
D 300	DIODE	CTL PCB	SLR-56VR MUTE LED	ROHM

SYMBOL#	PARTS NAME	PCB	DESCRIPTION	BRAND
D 301	DIODE	CTL PCB	SLR-56VR MUTE LED	ROHM
D 302	DIODE	CTL PCB	SLR-325VR POWER LED	ROHM
D 303	DIODE	CTL PCB	SLR343BBT CF_REV LED	ROHM
D 500	DIODE	CTL PCB	SLR-34VR SEQ LED	ROHM
D 501	DIODE	CTL PCB	SLR-34VR SEQ LED	ROHM
D 600	DIODE	CTL PCB	ISS133	ROHM
D 601	DIODE	CTL PCB	ISS133	ROHM
D 602	DIODE	CTL PCB	ISS133	ROHM
D 603	DIODE	CTL PCB	ISS133	ROHM
D 604	DIODE	CTL PCB	ISS133	ROHM
D 605	DIODE	CTL PCB	ISS133	ROHM
D 606	DIODE	CTL PCB	ISS133	ROHM
D 607	DIODE	CTL PCB	ISS133	ROHM
IC 1	IC	CTL PCB	LB1408 LEVEL LED DRIVE	SANYO
IC 2	IC	CTL PCB	LB1408 LEVEL LED DRIVE	SANYO
Q 300	TRANSISTOR	CTL PCB	2SC2240BL	TOSHIBA
Q 600	TRANSISTOR	CTL PCB	2SK170BL	TOSHIBA
Q 601	TRANSISTOR	CTL PCB	2SK170BL	TOSHIBA
Q 602	TRANSISTOR	CTL PCB	2SK170BL	TOSHIBA
Q 603	TRANSISTOR	CTL PCB	2SK170BL	TOSHIBA
Q 604	TRANSISTOR	CTL PCB	2SK170BL	TOSHIBA
Q 605	TRANSISTOR	CTL PCB	2SK170BL	TOSHIBA
Q 606	TRANSISTOR	CTL PCB	2SK170BL	TOSHIBA
Q 607	TRANSISTOR	CTL PCB	2SK170BL	TOSHIBA
R 1	RESISTOR	CTL PCB	22k ohm 1/4W	ROHM
R 2	RESISTOR	CTL PCB	22k ohm 1/4W	ROHM
R 3	RESISTOR	CTL PCB	47k ohm 1/4W	ROHM
R 4	RESISTOR	CTL PCB	47k ohm 1/4W	ROHM
R 10	RESISTOR	CTL PCB	10k ohm 1/4W	ROHM
R 11	RESISTOR	CTL PCB	10k ohm 1/4W	ROHM
R 200	RESISTOR	CTL PCB	15k ohm 1/4W	ROHM
R 201	RESISTOR	CTL PCB	33k ohm 1/4W	ROHM
R 202	RESISTOR	CTL PCB	15k ohm 1/4W	ROHM
R 203	RESISTOR	CTL PCB	33k ohm 1/4W	ROHM

SYMBOL#	PARTS NAME	PCB	DESCRIPTION	BRAND
R 204	RESISTOR	CTL PCB	4.7k ohm 1/4W	ROHM
R 205	RESISTOR	CTL PCB	4.7k ohm 1/4W	ROHM
R 206	RESISTOR	CTL PCB	5.6k ohm 1/4W	ROHM
R 207	RESISTOR	CTL PCB	5.6k ohm 1/4W	ROHM
R 208	RESISTOR	CTL PCB	22 ohm 1/4W	ROHM
R 300	RESISTOR	CTL PCB	1k ohm 1/4W	ROHM
R 301	RESISTOR	CTL PCB	1k ohm 1/4W	ROHM
R 302	RESISTOR	CTL PCB	1k ohm 1/4W	ROHM
R 303	RESISTOR	CTL PCB	1k ohm 1/4W	ROHM
R 304	RESISTOR	CTL PCB	3.3k ohm 1/4W	ROHM
R 305	RESISTOR	CTL PCB	3.3k ohm 1/4W	ROHM
R 306	RESISTOR	CTL PCB	6.8k ohm 1/4W	ROHM
R 307	RESISTOR	CTL PCB	6.8k ohm 1/4W	ROHM
R 308	RESISTOR	CTL PCB	3.3k ohm 1/4W	ROHM
R 309	RESISTOR	CTL PCB	3.3k ohm 1/4W	ROHM
R 310	RESISTOR	CTL PCB	3.3k ohm 1/4W	ROHM
R 311	RESISTOR	CTL PCB	3.3k ohm 1/4W	ROHM
R 312	RESISTOR	CTL PCB	6.8k ohm 1/4W	ROHM
R 313	RESISTOR	CTL PCB	6.8k ohm 1/4W	ROHM
R 314	RESISTOR	CTL PCB	3.3k ohm 1/4W	ROHM
R 315	RESISTOR	CTL PCB	3.3k ohm 1/4W	ROHM
R 316	RESISTOR	CTL PCB	10k ohm 1/4W	ROHM
R 317	RESISTOR	CTL PCB	10k ohm 1/4W	ROHM
R 318	RESISTOR	CTL PCB	20k ohm 1/4W	ROHM
R 319	RESISTOR	CTL PCB	20k ohm 1/4W	ROHM
R 320	RESISTOR	CTL PCB	120k ohm 1/4W	ROHM
R 321	RESISTOR	CTL PCB	120k ohm 1/4W	ROHM
R 322	RESISTOR	CTL PCB	15k ohm 1/4W	ROHM
R 323	RESISTOR	CTL PCB	15k ohm 1/4W	ROHM
R 324	RESISTOR	CTL PCB	22 ohm 1/4W	ROHM
R 325	RESISTOR	CTL PCB	22 ohm 1/4W	ROHM
R 326	RESISTOR	CTL PCB	22k ohm 1/4W	ROHM
R 327	RESISTOR	CTL PCB	22k ohm 1/4W	ROHM
R 328	RESISTOR	CTL PCB	1k ohm 1/4W	ROHM

SYMBOL#	PARTS NAME	PCB	DESCRIPTION	BRAND
R 329	RESISTOR	CTL PCB	1k ohm 1/4W	ROHM
R 330	RESISTOR	CTL PCB	1k ohm 1/4W	ROHM
R 331	RESISTOR	CTL PCB	1k ohm 1/4W	ROHM
R 332	RESISTOR	CTL PCB	1k ohm 1/4W	ROHM
R 333	RESISTOR	CTL PCB	1k ohm 1/4W	ROHM
R 334	RESISTOR	CTL PCB	22k ohm 1/4W	ROHM
R 335	RESISTOR	CTL PCB	22k ohm 1/4W	ROHM
R 336	RESISTOR	CTL PCB	22k ohm 1/4W	ROHM
R 337	RESISTOR	CTL PCB	22k ohm 1/4W	ROHM
R 338	RESISTOR	CTL PCB	10k ohm 1/4W	ROHM
R 339	RESISTOR	CTL PCB	10k ohm 1/4W	ROHM
R 340	RESISTOR	CTL PCB	10k ohm 1/4W	ROHM
R 341	RESISTOR	CTL PCB	10k ohm 1/4W	ROHM
R 342	RESISTOR	CTL PCB	4.7k ohm 1/4W	ROHM
R 343	RESISTOR	CTL PCB	4.7k ohm 1/4W	ROHM
R 344	RESISTOR	CTL PCB	4.7k ohm 1/4W	ROHM
R 345	RESISTOR	CTL PCB	4.7k ohm 1/4W	ROHM
R 346	RESISTOR	CTL PCB	4.7k ohm 1/4W	ROHM
R 347	RESISTOR	CTL PCB	4.7k ohm 1/4W	ROHM
R 348	RESISTOR	CTL PCB	1k ohm 1/4W	ROHM
R 349	RESISTOR	CTL PCB	1k ohm 1/4W	ROHM
R 350	RESISTOR	CTL PCB	91k ohm 1/4W	ROHM
R 351	RESISTOR	CTL PCB	6.8k ohm 1/4W	ROHM
R 352	RESISTOR	CTL PCB	68k ohm 1/4W	ROHM
R 353	RESISTOR	CTL PCB	10k ohm 1/4W	ROHM
R 354	RESISTOR	CTL PCB	1.5k ohm 1/4W	ROHM
R 355	RESISTOR	CTL PCB	1.5k ohm 1/4W	ROHM
R 356	RESISTOR	CTL PCB	6.8k ohm 1/4W	ROHM
R 357	RESISTOR	CTL PCB	0 ohm 1/4W	ROHM
R 358	RESISTOR	CTL PCB		ROHM
R 400	RESISTOR	CTL PCB	1.5k ohm 1/4W	ROHM
R 401	RESISTOR	CTL PCB	1.5k ohm 1/4W	ROHM
R 402	RESISTOR	CTL PCB	12k ohm 1/4W	ROHM
R 403	RESISTOR	CTL PCB	12k ohm 1/4W	ROHM

SYMBOL#	PARTS NAME	PCB	DESCRIPTION	BRAND
R 404	RESISTOR	CTL PCB	47k ohm 1/4W	ROHM
R 405	RESISTOR	CTL PCB	47k ohm 1/4W	ROHM
R 406	RESISTOR	CTL PCB	4.7k ohm 1/4W	ROHM
R 407	RESISTOR	CTL PCB	4.7k ohm 1/4W	ROHM
R 408	RESISTOR	CTL PCB	15k ohm 1/4W	ROHM
R 409	RESISTOR	CTL PCB	15k ohm 1/4W	ROHM
R 410	RESISTOR	CTL PCB	22k ohm 1/4W	ROHM
R 411	RESISTOR	CTL PCB	22k ohm 1/4W	ROHM
R 412	RESISTOR	CTL PCB	100k ohm 1/4W	ROHM
R 413	RESISTOR	CTL PCB	100k ohm 1/4W	ROHM
R 414	RESISTOR	CTL PCB	1.5k ohm 1/4W	ROHM
R 415	RESISTOR	CTL PCB	1.5k ohm 1/4W	ROHM
R 416	RESISTOR	CTL PCB	12k ohm 1/4W	ROHM
R 417	RESISTOR	CTL PCB	12k ohm 1/4W	ROHM
R 418	RESISTOR	CTL PCB	12k ohm 1/4W	ROHM
R 419	RESISTOR	CTL PCB	12k ohm 1/4W	ROHM
R 420	RESISTOR	CTL PCB	4.7k ohm 1/4W	ROHM
R 421	RESISTOR	CTL PCB	4.7k ohm 1/4W	ROHM
R 422	RESISTOR	CTL PCB	15k ohm 1/4W	ROHM
R 423	RESISTOR	CTL PCB	15k ohm 1/4W	ROHM
R 424	RESISTOR	CTL PCB	120k ohm 1/4W	ROHM
R 425	RESISTOR	CTL PCB	120k ohm 1/4W	ROHM
R 426	RESISTOR	CTL PCB	120k ohm 1/4W	ROHM
R 427	RESISTOR	CTL PCB	120k ohm 1/4W	ROHM
R 428	RESISTOR	CTL PCB	4.7k ohm 1/4W	ROHM
R 429	RESISTOR	CTL PCB	4.7k ohm 1/4W	ROHM
R 430	RESISTOR	CTL PCB	10k ohm 1/4W	ROHM
R 431	RESISTOR	CTL PCB	10k ohm 1/4W	ROHM
R 432	RESISTOR	CTL PCB	47k ohm 1/4W	ROHM
R 433	RESISTOR	CTL PCB	47k ohm 1/4W	ROHM
R 434	RESISTOR	CTL PCB	2.4k ohm 1/4W	ROHM
R 435	RESISTOR	CTL PCB	2.4k ohm 1/4W	ROHM
R 436	RESISTOR	CTL PCB	1.5k ohm 1/4W	ROHM
R 437	RESISTOR	CTL PCB	1.5k ohm 1/4W	ROHM

SYMBOL#	PARTS NAME	PCB	DESCRIPTION	BRAND
R 438	RESISTOR	CTL PCB	12k ohm 1/4W	ROHM
R 439	RESISTOR	CTL PCB	12k ohm 1/4W	ROHM
R 440	RESISTOR	CTL PCB	47k ohm 1/4W	ROHM
R 441	RESISTOR	CTL PCB	47k ohm 1/4W	ROHM
R 442	RESISTOR	CTL PCB	4.7k ohm 1/4W	ROHM
R 443	RESISTOR	CTL PCB	4.7k ohm 1/4W	ROHM
R 444	RESISTOR	CTL PCB	15k ohm 1/4W	ROHM
R 445	RESISTOR	CTL PCB	15k ohm 1/4W	ROHM
R 446	RESISTOR	CTL PCB	22k ohm 1/4W	ROHM
R 447	RESISTOR	CTL PCB	22k ohm 1/4W	ROHM
R 448	RESISTOR	CTL PCB	100k ohm 1/4W	ROHM
R 449	RESISTOR	CTL PCB	100k ohm 1/4W	ROHM
R 450	RESISTOR	CTL PCB	1.5k ohm 1/4W	ROHM
R 451	RESISTOR	CTL PCB	1.5k ohm 1/4W	ROHM
R 452	RESISTOR	CTL PCB	12k ohm 1/4W	ROHM
R 453	RESISTOR	CTL PCB	12k ohm 1/4W	ROHM
R 454	RESISTOR	CTL PCB	12k ohm 1/4W	ROHM
R 455	RESISTOR	CTL PCB	12k ohm 1/4W	ROHM
R 456	RESISTOR	CTL PCB	4.7k ohm 1/4W	ROHM
R 457	RESISTOR	CTL PCB	4.7k ohm 1/4W	ROHM
R 458	RESISTOR	CTL PCB	15k ohm 1/4W	ROHM
R 459	RESISTOR	CTL PCB	15k ohm 1/4W	ROHM
R 460	RESISTOR	CTL PCB	120k ohm 1/4W	ROHM
R 461	RESISTOR	CTL PCB	120k ohm 1/4W	ROHM
R 462	RESISTOR	CTL PCB	120k ohm 1/4W	ROHM
R 463	RESISTOR	CTL PCB	120k ohm 1/4W	ROHM
R 464	RESISTOR	CTL PCB	4.7k ohm 1/4W	ROHM
R 465	RESISTOR	CTL PCB	4.7k ohm 1/4W	ROHM
R 466	RESISTOR	CTL PCB	10k ohm 1/4W	ROHM
R 467	RESISTOR	CTL PCB	10k ohm 1/4W	ROHM
R 468	RESISTOR	CTL PCB	47k ohm 1/4W	ROHM
R 469	RESISTOR	CTL PCB	47k ohm 1/4W	ROHM
R 470	RESISTOR	CTL PCB	2.4k ohm 1/4W	ROHM
R 471	RESISTOR	CTL PCB	2.4k ohm 1/4W	ROHM

SYMBOL#	PARTS NAME	PCB	DESCRIPTION	BRAND
R 582	RESISTOR	CTL PCB	1k ohm 1/4W	ROHM
R 583	RESISTOR	CTL PCB	1k ohm 1/4W	ROHM
R 590	RESISTOR	CTL PCB	3.9k ohm 1/4W	ROHM
R 591	RESISTOR	CTL PCB	3.9k ohm 1/4W	ROHM
R 592	RESISTOR	CTL PCB	3.9k ohm 1/4W	ROHM
R 593	RESISTOR	CTL PCB	3.9k ohm 1/4W	ROHM
R 600	RESISTOR	CTL PCB	8.2k ohm 1/4W	ROHM
R 601	RESISTOR	CTL PCB	1.5k ohm 1/4W	ROHM
R 602	RESISTOR	CTL PCB	470k ohm 1/4W	ROHM
R 603	RESISTOR	CTL PCB	470k ohm 1/4W	ROHM
R 604	RESISTOR	CTL PCB	8.2k ohm 1/4W	ROHM
R 605	RESISTOR	CTL PCB	1.5k ohm 1/4W	ROHM
R 606	RESISTOR	CTL PCB	470k ohm 1/4W	ROHM
R 607	RESISTOR	CTL PCB	470k ohm 1/4W	ROHM
R 608	RESISTOR	CTL PCB	12k ohm 1/4W	ROHM
R 609	RESISTOR	CTL PCB	12k ohm 1/4W	ROHM
R 610	RESISTOR	CTL PCB	12k ohm 1/4W	ROHM
R 611	RESISTOR	CTL PCB	12k ohm 1/4W	ROHM
R 612	RESISTOR	CTL PCB	12k ohm 1/4W	ROHM
R 613	RESISTOR	CTL PCB	12k ohm 1/4W	ROHM
R 614	RESISTOR	CTL PCB	15k ohm 1/4W	ROHM
R 615	RESISTOR	CTL PCB	15k ohm 1/4W	ROHM
R 616	RESISTOR	CTL PCB	33k ohm 1/4W	ROHM
R 617	RESISTOR	CTL PCB	33k ohm 1/4W	ROHM
R 618	RESISTOR	CTL PCB		ROHM
R 619	RESISTOR	CTL PCB		ROHM
R 620	RESISTOR	CTL PCB	47k ohm 1/4W	ROHM
R 621	RESISTOR	CTL PCB	47k ohm 1/4W	ROHM
R 624	RESISTOR	CTL PCB	22k ohm 1/4W	ROHM
R 625	RESISTOR	CTL PCB	22k ohm 1/4W	ROHM
R 626	RESISTOR	CTL PCB	4.7k ohm 1/4W	ROHM
R 627	RESISTOR	CTL PCB	4.7k ohm 1/4W	ROHM
R 628	RESISTOR	CTL PCB	12k ohm 1/4W	ROHM
R 629	RESISTOR	CTL PCB	12k ohm 1/4W	ROHM

SYMBOL#	PARTS NAME	PCB	DESCRIPTION	BRAND
R 630	RESISTOR	CTL PCB	12k ohm 1/4W	ROHM
R 631	RESISTOR	CTL PCB	12k ohm 1/4W	ROHM
R 632	RESISTOR	CTL PCB	12k ohm 1/4W	ROHM
R 633	RESISTOR	CTL PCB	12k ohm 1/4W	ROHM
R 634	RESISTOR	CTL PCB	15k ohm 1/4W	ROHM
R 635	RESISTOR	CTL PCB	15k ohm 1/4W	ROHM
R 636	RESISTOR	CTL PCB	47k ohm 1/4W	ROHM
R 637	RESISTOR	CTL PCB	47k ohm 1/4W	ROHM
R 638	RESISTOR	CTL PCB	2.2k ohm 1/4W	ROHM
R 639	RESISTOR	CTL PCB	2.2k ohm 1/4W	ROHM
R 640	RESISTOR	CTL PCB	2.2k ohm 1/4W	ROHM
R 641	RESISTOR	CTL PCB	2.2k ohm 1/4W	ROHM
R 642	RESISTOR	CTL PCB	22k ohm 1/4W	ROHM
R 643	RESISTOR	CTL PCB	22k ohm 1/4W	ROHM
R 644	RESISTOR	CTL PCB	47k ohm 1/4W	ROHM
R 645	RESISTOR	CTL PCB	47k ohm 1/4W	ROHM
R 646	RESISTOR	CTL PCB	1k ohm 1/4W	ROHM
R 647	RESISTOR	CTL PCB	1k ohm 1/4W	ROHM
R 648	RESISTOR	CTL PCB	1k ohm 1/4W	ROHM
R 649	RESISTOR	CTL PCB	1k ohm 1/4W	ROHM
R 650	RESISTOR	CTL PCB	1k ohm 1/4W	ROHM
R 651	RESISTOR	CTL PCB	1k ohm 1/4W	ROHM
R 652	RESISTOR	CTL PCB	1k ohm 1/4W	ROHM
R 653	RESISTOR	CTL PCB	1k ohm 1/4W	ROHM
R 654	RESISTOR	CTL PCB	47k ohm 1/4W	ROHM
R 655	RESISTOR	CTL PCB	47k ohm 1/4W	ROHM
R 656	RESISTOR	CTL PCB	47k ohm 1/4W	ROHM
R 657	RESISTOR	CTL PCB	47k ohm 1/4W	ROHM
R 658	RESISTOR	CTL PCB	470 ohm 1/4W	ROHM
R 659	RESISTOR	CTL PCB	470 ohm 1/4W	ROHM
R 660	RESISTOR	CTL PCB	470 ohm 1/4W	ROHM
R 661	RESISTOR	CTL PCB	470 ohm 1/4W	ROHM
SW 1	P/SW	CTL PCB	SPEA123000 PGM1 S.EQ	ALPS
SW 2	P/SW	CTL PCB	SPEA122100 PMG1.MUTE	ALPS

SYMBOL#	PARTS NAME	PCB	DESCRIPTION	BRAND
SW 3	P/SW	CTL PCB	SPEA123000 PGM2 S.EQ	ALPS
SW 4	P/SW	CTL PCB	SPEA122100 PMG2_MUTE	ALPS
SW 5	LEVER SW	CTL PCB	LBC42B17K SILVER CF_REV	SANSEI
SW 6	LEVER SW	CTL PCB	LBC22B12K SILVER MASTER ST/MONO	SANSEI
SW 7	LEVER SW	CTL PCB	LBC23B17K SILVER BL/OFF/SOL	MIYAMA
SW 8	LEVER SW	CTL PCB	LBC22B17K SILVER MASTER/CUE	SANSEI
SW 9	SL/SW	CTL PCB	SSSB0215 METER SELECT	ALPS
SW 15	SL/SW	CTL PCB	SSSF121900 RTN SELECT	ALPS
SW 90	LEVER SW	CTL PCB	LBC22B17K SILVER SEND_PGM1	SANSEI
SW 100	LEVER SW	CTL PCB	LBC22B17K SILVER SEND_PGM2	SANSEI
U 2	IC	CTL PCB	NJM2082 CUE MIX	JRC
U 3	IC	CTL PCB	NJM2068 VCA BUF	JRC
U 7	IC	CTL PCB	NJM2082 TRIM BUF	JRC
U 8	IC	CTL PCB	NJM2082 TRIM BUF	JRC
U 9	IC	CTL PCB	NJM4580D ISO H	JRC
U 10	IC	CTL PCB	NJM4580D ISO M	JRC
U 11	IC	CTL PCB	NJM4580D ISO M	JRC
U 12	IC	CTL PCB	NJM4580D ISO L	JRC
U 13	IC	CTL PCB	NJM4580D ISO AMP	JRC
U 15	IC	CTL PCB	NJM4580D ISO H	JRC
U 16	IC	CTL PCB	NJM4580D ISO M	JRC
U 17	IC	CTL PCB	NJM4580D ISO M	JRC
U 18	IC	CTL PCB	NJM4580D ISO L	JRC
U 19	IC	CTL PCB	NJM4580D ISO AMP	JRC
U 24	IC	CTL PCB	NJM4556 HP AMP	JRC
U 25	IC	CTL PCB	NJM2082 S.EQ AMP	JRC
U 26	IC	CTL PCB	NJM2082 S.EQ AMP	JRC
U 27	IC	CTL PCB	NJM4556 VCA REF	JRC
U 28	IC	CTL PCB	NJM4556 VCA REF	JRC
U 29	IC	CTL PCB	NJM2068 MAIN MIX	JRC
U 30	IC	CTL PCB	NJM2068 MONITOR MIX	JRC
U 31	IC	CTL PCB	NJM2068 MAIN MIX BUF	JRC
U 32	IC	CTL PCB	NJM2068 VCA BUF	JRC
U 34	VCA	CTL PCB	P873-13 MASTER VCA	Hamamatsu Photonics

SYMBOL#	PARTS NAME	PCB	DESCRIPTION	BRAND
U 35	VCA	CTL PCB	P873-13 MASTER VCA	Hamamatsu Photonics
U 36	VCA	CTL PCB	P873-13 MONITOR VCA	Hamamatsu Photonics
U 37	VCA	CTL PCB	P873-13 MONITOR VCA	Hamamatsu Photonics
U 40	IC	CTL PCB	NJM2068 MIC BUF	JRC
U 57	IC	CTL PCB	NJM2082 MASTER BUF	JRC
VR 1	R/VR	CTL PCB	RK09L1140-D15-C0-B203 20k	ALPS
VR 2	R/VR	CTL PCB	RK09L1140-D15-C1-B203 20k	ALPS
VR 3	R/VR	CTL PCB	RK09L1140-D15-C1-B203 20k	ALPS
VR 4	R/VR	CTL PCB	RK09L1240-D15-C0-B203 20kBX2	ALPS
VR 5	R/VR	CTL PCB	RK09L12D0-D15-C0-A203 10kAX2	ALPS
VR 6	R/VR	CTL PCB	RK09L1240-D15-C1-C203 20kCX2	ALPS
VR 7	R/VR	CTL PCB	RK09L1240-D15-C1-C203 20kCX2	ALPS
VR 8	R/VR	CTL PCB	RK09L1240-D15-C1-C203 20kCX2	ALPS
VR 9	SL/VR	CTL PCB	RS20112-0C15-C1-P1-B103 10kBX2	ALPS
VR 10	R/VR	CTL PCB	RK09L12D0-D15-C0-A203 10kAX2	ALPS
VR 11	R/VR	CTL PCB	RK09L1240-D15-C1-C203 20kCX2	ALPS
VR 12	R/VR	CTL PCB	RK09L1240-D15-C1-C203 20kCX2	ALPS
VR 13	R/VR	CTL PCB	RK09L1240-D15-C1-C203 20kCX2	ALPS
VR 14	SL/VR	CTL PCB	RS20112-0C15-C1-P1-B103 10kBX2	ALPS
VR 15	R/VR	CTL PCB	RK09L12D0-D15-C0-A203 20kAX2	ALPS
VR 16	R/VR	CTL PCB	RK09L12D0-D15-C0-A203 20kAX2	ALPS
VR 17	SL/VR	CTL PCB	RS20112-0620-C0-P1-B203 20kBX2	ALPS
VR 18	SL/VR	CTL PCB	RS20112-0620-C0-P1-B203 20kBX2	ALPS
VR 19	SL/VR	CTL PCB	RS20112-0620-C0-P1-B203 20kBX2	ALPS
VR 24	TRIMER	CTL PCB	RH0615CS3 4.7k	ALPS
VR 25	TRIMER	CTL PCB	RH0615CS3 4.7k	ALPS
VR 28	TRIMER	CTL PCB	RH0615CS3 4.7k	ALPS
VR 29	TRIMER	CTL PCB	RH0615CS3 4.7k	ALPS
VR 30	TRIMER	CTL PCB	RH0615CS3 4.7k	ALPS
VR 31	TRIMER	CTL PCB	RH0615CS3 4.7k	ALPS
VR 32	TRIMER	CTL PCB	RH0615CS3 4.7k	ALPS
VR 33	TRIMER	CTL PCB	RH0615CS3 4.7k	ALPS
C 220	E.cap	etc	2.2uF/50V BP	ELNA
C 221	C.cap	etc	22PF	TAIYO YUDEN

SYMBOL#	PARTS NAME	PCB	DESCRIPTION	BRAND
C 222	E.cap	etc	2.2uF/50V BP	ELNA
C 223	E.cap	etc	2.2uF/50V BP	ELNA
C 226	E.cap	etc	22uF/16V	ELNA
C 227	E.cap	etc	22uF/16V	ELNA
C 500	E.cap	etc	10uF/16V BP	ELNA
C 501	E.cap	etc	10uF/16V BP	ELNA
C 502	C.cap	etc	470PF	TAIYO YUDEN
C 503	C.cap	etc	470PF	TAIYO YUDEN
C 504	E.cap	etc	10uF/16V BP	ELNA
C 505	E.cap	etc	10uF/16V BP	ELNA
C 506	Film	etc	473(M)	NISSEI
C 507	Film	etc	473(M)	NISSEI
C 508	Film	etc	473(M)	NISSEI
C 509	Film	etc	473(M)	NISSEI
C 510	Film	etc	104(M)	NISSEI
C 511	Film	etc	104(M)	NISSEI
C 512	C.cap	etc	470PF	TAIYO YUDEN
C 513	C.cap	etc	470PF	TAIYO YUDEN
C 514	Film	etc	473(M)	NISSEI
C 515	Film	etc	473(M)	NISSEI
C 516	Film	etc	472(M)	NISSEI
C 517	Film	etc	472(M)	NISSEI
C 518	E.cap	etc	10uF/16V BP	ELNA
C 519	E.cap	etc	10uF/16V BP	ELNA
C 520	E.cap	etc	10uF/16V BP	ELNA
C 521	E.cap	etc	10uF/16V BP	ELNA
C 522	C.cap	etc	470PF	TAIYO YUDEN
C 523	C.cap	etc	470PF	TAIYO YUDEN
C 524	E.cap	etc	10uF/16V BP	ELNA
C 525	E.cap	etc	10uF/16V BP	ELNA
C 526	Film	etc	473(M)	NISSEI
C 527	Film	etc	473(M)	NISSEI
C 528	Film	etc	473(M)	NISSEI
C 529	Film	etc	473(M)	NISSEI

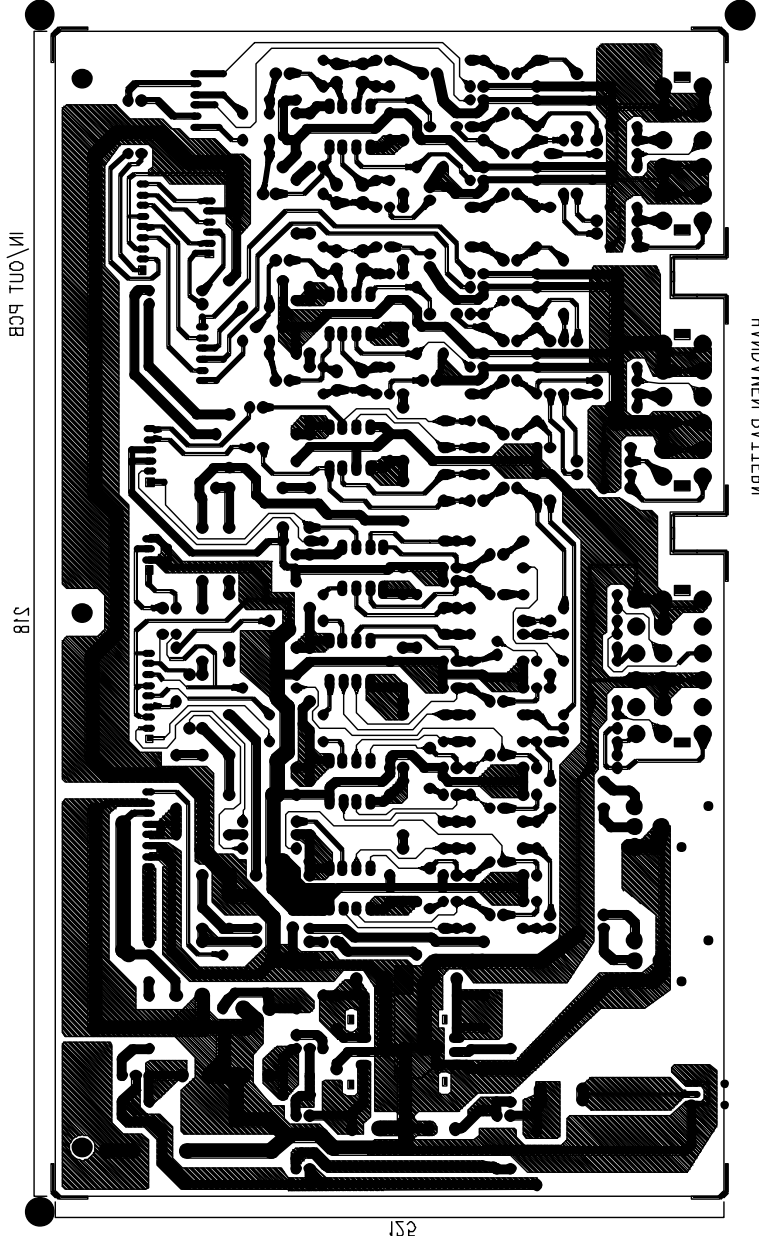
SYMBOL#	PARTS NAME	PCB	DESCRIPTION	BRAND
C 530	Film	etc	104(M)	NISSEI
C 531	Film	etc	104(M)	NISSEI
C 532	C.cap	etc	470PF	TAIYO YUDEN
C 533	C.cap	etc	470PF	TAIYO YUDEN
C 534	Film	etc	473(M)	NISSEI
C 535	Film	etc	473(M)	NISSEI
C 536	Film	etc	472(M)	NISSEI
C 537	Film	etc	472(M)	NISSEI
C 538	E.cap	etc	10uF/16V BP	ELNA
C 539	E.cap	etc	10uF/16V BP	ELNA
C 540	C.cap	etc	0.01uF	TAIYO YUDEN
C 541	C.cap	etc	0.01uF	TAIYO YUDEN
C 542	C.cap	etc	0.01uF	TAIYO YUDEN
C 543	C.cap	etc	0.01uF	TAIYO YUDEN
C 544	C.cap	etc	0.01uF	TAIYO YUDEN
C 545	C.cap	etc	0.01uF	TAIYO YUDEN
C 546	C.cap	etc	0.01uF	TAIYO YUDEN
C 547	C.cap	etc	0.01uF	TAIYO YUDEN
C 548	C.cap	etc	0.01uF	TAIYO YUDEN
C 549	C.cap	etc	0.01uF	TAIYO YUDEN
C 550	C.cap	etc	0.01uF	TAIYO YUDEN
C 551	C.cap	etc	0.01uF	TAIYO YUDEN
C 552	C.cap	etc	0.01uF	TAIYO YUDEN
C 553	C.cap	etc	0.01uF	TAIYO YUDEN
C 554	C.cap	etc	0.01uF	TAIYO YUDEN
C 555	C.cap	etc	0.01uF	TAIYO YUDEN
C C225	E.cap	etc	22uF/16V BP	ELNA
CN 4	CONNECTOR	etc	CONNECTOR A(6PSAN) MIC IN/OUT	JST
CN 8	CONNECTOR	etc	B 7B XH A	JST
CN 9	CONNECTOR	etc	B 7B XH A	JST
CN 22	CONNECTOR	etc	B.3B-PH-K-S MONITOR OUT	JST
CN 23	CONNECTOR	etc	CONNECTOR C(4PSAN) LINE OUT	JST
CN 26	CONNECTOR	etc	5045-06A IF VOL	MOLEX
CN 27	CONNECTOR	etc	5045-06A IF VOL	MOLEX

SYMBOL#	PARTS NAME	PCB	DESCRIPTION	BRAND
J 1	PHONE JACK	etc	YKB21-5166 MIC AUX	JALCO
J 11	RCA PIN JACK	etc	T6849-AAAB LINE OUT(UNBAL)	EMUDEN
J 12	PHONE JACK	etc	2113-1955 HP OUT(NORMAL)	WEN ZHOU
J 13	PHONE JACK	etc	HSJ0857-01-1210 HP OUT(MINI)	HOSHIDEN
J 14	PHONE JACK	etc	HLJ1520-01-3110 MIC IN	HOSHIDEN
R 220	RESISTOR	etc	100k ohm 1/4W	ROHM
R 221	RESISTOR	etc	3.3k ohm 1/4Wp	ROHM
R 222	RESISTOR	etc	82k ohm 1/4W	ROHM
R 223	RESISTOR	etc	2.7k ohm 1/4W	ROHM
R 224	RESISTOR	etc	220 ohm 1/4W	ROHM
R 225	RESISTOR	etc	100k ohm 1/4W	ROHM
R 226	RESISTOR	etc	100k ohm 1/4W	ROHM
R 227	RESISTOR	etc	47k ohm 1/4W	ROHM
R 228	RESISTOR	etc	180k ohm 1/4W	ROHM
R 229	RESISTOR	etc	JP	ROHM
R 230	RESISTOR	etc	2.7k ohm 1/4W	ROHM
R 231	RESISTOR	etc	2.2k ohm 1/4W	ROHM
R 232	RESISTOR	etc	2.7k ohm 1/4W	ROHM
R 233	RESISTOR	etc	2.2k ohm 1/4W	ROHM
R 234	RESISTOR	etc	2.7k ohm 1/4W	ROHM
R 235	RESISTOR	etc	2.2k ohm 1/4W	ROHM
R 236	RESISTOR	etc	2.7k ohm 1/4W	ROHM
R 237	RESISTOR	etc	2.2k ohm 1/4W	ROHM
R 500	RESISTOR	etc	100k ohm 1/4W	ROHM
R 501	RESISTOR	etc	100k ohm 1/4W	ROHM
R 502	RESISTOR	etc	22k ohm 1/4W	ROHM
R 503	RESISTOR	etc	22k ohm 1/4W	ROHM
R 504	RESISTOR	etc	6.8k ohm 1/4W	ROHM
R 505	RESISTOR	etc	6.8k ohm 1/4W	ROHM
R 506	RESISTOR	etc	100 ohm 1/4W	ROHM
R 507	RESISTOR	etc	100 ohm 1/4W	ROHM
R 508	RESISTOR	etc	10k ohm 1/4W	ROHM
R 509	RESISTOR	etc	10k ohm 1/4W	ROHM
R 510	RESISTOR	etc	50k ohm 1/4W	ROHM

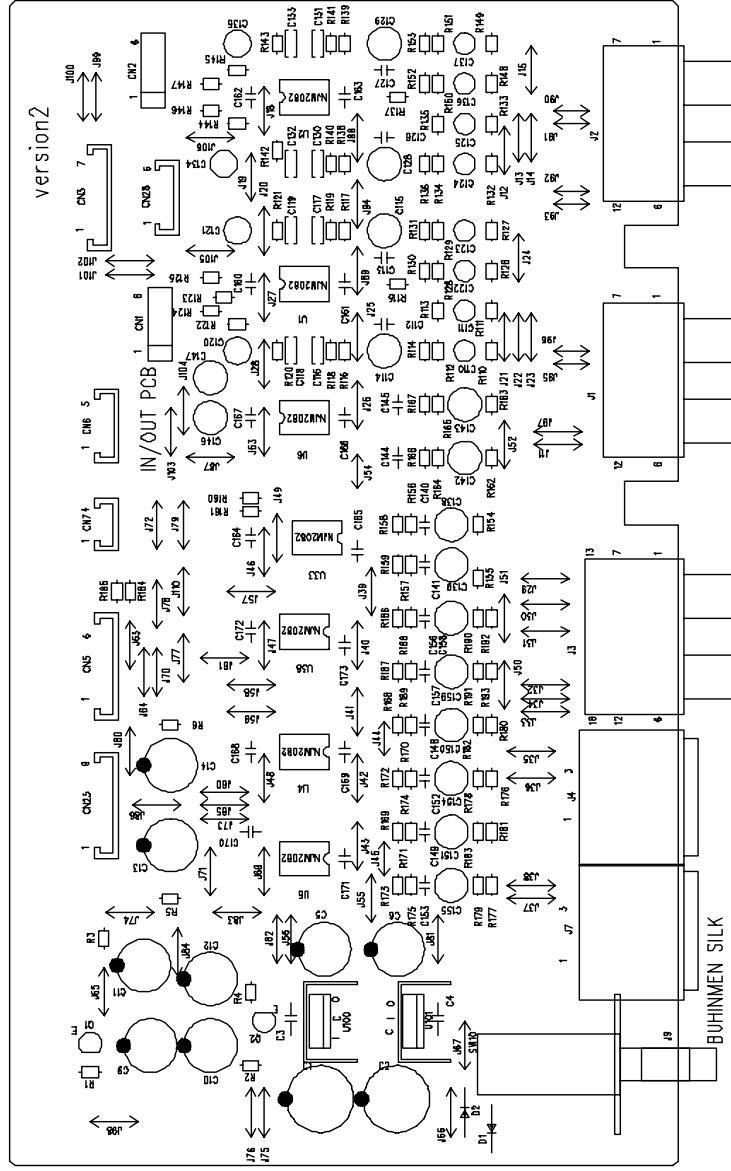
SYMBOL#	PARTS NAME	PCB	DESCRIPTION	BRAND
R 511	RESISTOR	etc	50k ohm 1/4W	ROHM
R 512	RESISTOR	etc	1k ohm 1/4W	ROHM
R 513	RESISTOR	etc	1k ohm 1/4W	ROHM
R 514	RESISTOR	etc	50k ohm 1/4W	ROHM
R 515	RESISTOR	etc	50k ohm 1/4W	ROHM
R 516	RESISTOR	etc	1k ohm 1/4W	ROHM
R 517	RESISTOR	etc	1k ohm 1/4W	ROHM
R 518	RESISTOR	etc	50k ohm 1/4W	ROHM
R 519	RESISTOR	etc	50k ohm 1/4W	ROHM
R 520	RESISTOR	etc	JP	ROHM
R 521	RESISTOR	etc	JP	ROHM
R 522	RESISTOR	etc	330 ohm 1/4W	ROHM
R 523	RESISTOR	etc	330 ohm 1/4W	ROHM
R 524	RESISTOR	etc	820 ohm 1/4W	ROHM
R 525	RESISTOR	etc	820 ohm 1/4W	ROHM
R 526	RESISTOR	etc	680k ohm 1/4W	ROHM
R 527	RESISTOR	etc	680k ohm 1/4W	ROHM
R 528	RESISTOR	etc	100 ohm 1/4W	ROHM
R 529	RESISTOR	etc	100 ohm 1/4W	ROHM
R 530	RESISTOR	etc	470k ohm 1/4W	ROHM
R 531	RESISTOR	etc	470k ohm 1/4W	ROHM
R 532	RESISTOR	etc	620 ohm 1/4W	ROHM
R 533	RESISTOR	etc	620 ohm 1/4W	ROHM
R 534	RESISTOR	etc	100k ohm 1/4W	ROHM
R 535	RESISTOR	etc	100k ohm 1/4W	ROHM
R 536	RESISTOR	etc	100k ohm 1/4W	ROHM
R 537	RESISTOR	etc	100k ohm 1/4W	ROHM
R 538	RESISTOR	etc	22k ohm 1/4W	ROHM
R 539	RESISTOR	etc	22k ohm 1/4W	ROHM
R 540	RESISTOR	etc	6.8k ohm 1/4W	ROHM
R 541	RESISTOR	etc	6.8k ohm 1/4W	ROHM
R 542	RESISTOR	etc	100 ohm 1/4W	ROHM
R 543	RESISTOR	etc	100 ohm 1/4W	ROHM
R 544	RESISTOR	etc	10k ohm 1/4W	ROHM

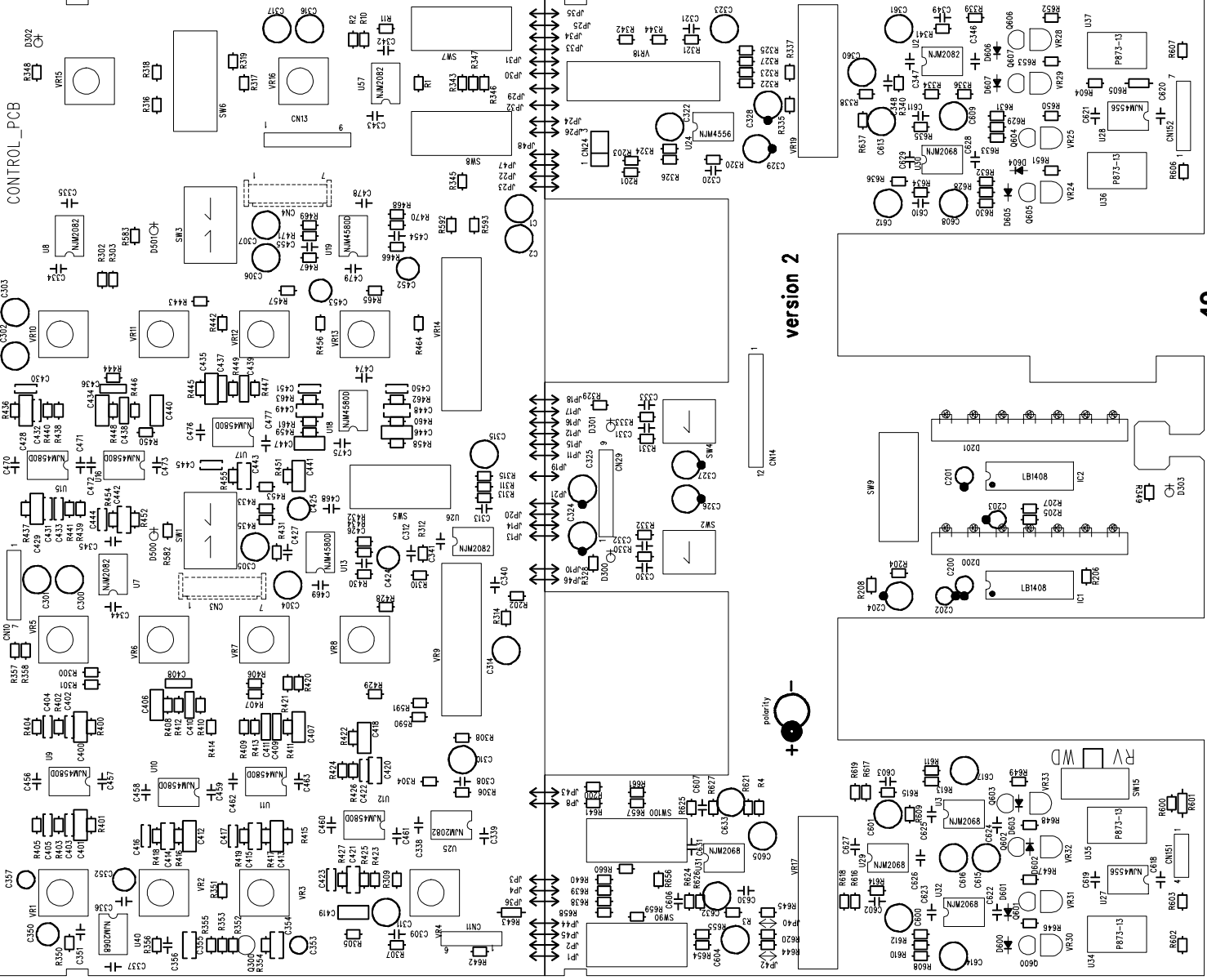
SYMBOL#	PARTS NAME	PCB	DESCRIPTION	BRAND
R 545	RESISTOR	etc	10k ohm 1/4W	ROHM
R 546	RESISTOR	etc	50k ohm 1/4W	ROHM
R 547	RESISTOR	etc	50k ohm 1/4W	ROHM
R 548	RESISTOR	etc	1k ohm 1/4W	ROHM
R 549	RESISTOR	etc	1k ohm 1/4W	ROHM
R 560	RESISTOR	etc	50k ohm 1/4W	ROHM
R 561	RESISTOR	etc	50k ohm 1/4W	ROHM
R 562	RESISTOR	etc	1k ohm 1/4W	ROHM
R 563	RESISTOR	etc	1k ohm 1/4W	ROHM
R 564	RESISTOR	etc	50k ohm 1/4W	ROHM
R 565	RESISTOR	etc	50k ohm 1/4W	ROHM
R 566	RESISTOR	etc	JP	ROHM
R 567	RESISTOR	etc	JP	ROHM
R 568	RESISTOR	etc	330 ohm 1/4W	ROHM
R 569	RESISTOR	etc	330 ohm 1/4W	ROHM
R 570	RESISTOR	etc	820 ohm 1/4W	ROHM
R 571	RESISTOR	etc	820 ohm 1/4W	ROHM
R 572	RESISTOR	etc	680k ohm 1/4W	ROHM
R 573	RESISTOR	etc	680k ohm 1/4W	ROHM
R 574	RESISTOR	etc	100 ohm 1/4W	ROHM
R 575	RESISTOR	etc	100 ohm 1/4W	ROHM
R 576	RESISTOR	etc	470k ohm 1/4W	ROHM
R 577	RESISTOR	etc	470k ohm 1/4W	ROHM
R 578	RESISTOR	etc	620 ohm 1/4W	ROHM
R 579	RESISTOR	etc	620 ohm 1/4W	ROHM
R 580	RESISTOR	etc	100k ohm 1/4W	ROHM
R 581	RESISTOR	etc	100k ohm 1/4W	ROHM
R 582	RESISTOR	etc	1k ohm 1/4W	ROHM
R 583	RESISTOR	etc	1k ohm 1/4W	ROHM
U 14	IC	etc	NJM4580D	JRC
U 20	IC	etc	NJM4580D	JRC
U 21	IC	etc	NJM4580D	JRC
U 22	IC	etc	NJM4580D	JRC
U 23	IC	etc	NJM4580D	JRC

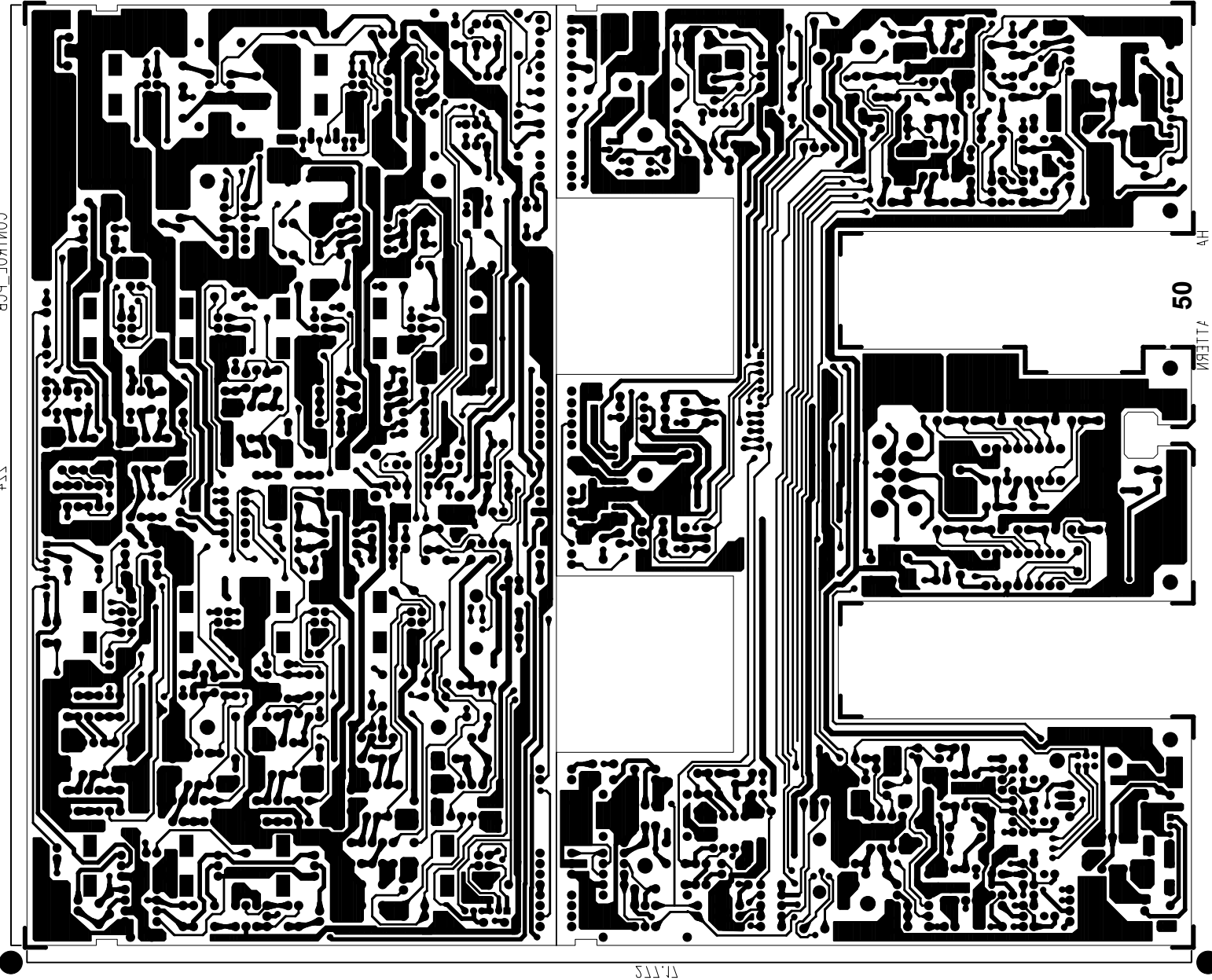
SYMBOL#	PARTS NAME	PCB	DESCRIPTION	BRAND
U 39	IC	etc	NJM2082	JRC
U 52	IC	etc	NJM4580D	JRC
U 53	IC	etc	NJM4580D	JRC
U 54	IC	etc	NJM4580D	JRC
VR 20	SL/VR	etc	SFV-03NS IF_PGM1	VESTAX
VR 21	SL/VR	etc	SFV-03NS IF_PGM2	VESTAX
VR	SL/VR	etc	SFV-03N MAIN CF	VESTAX

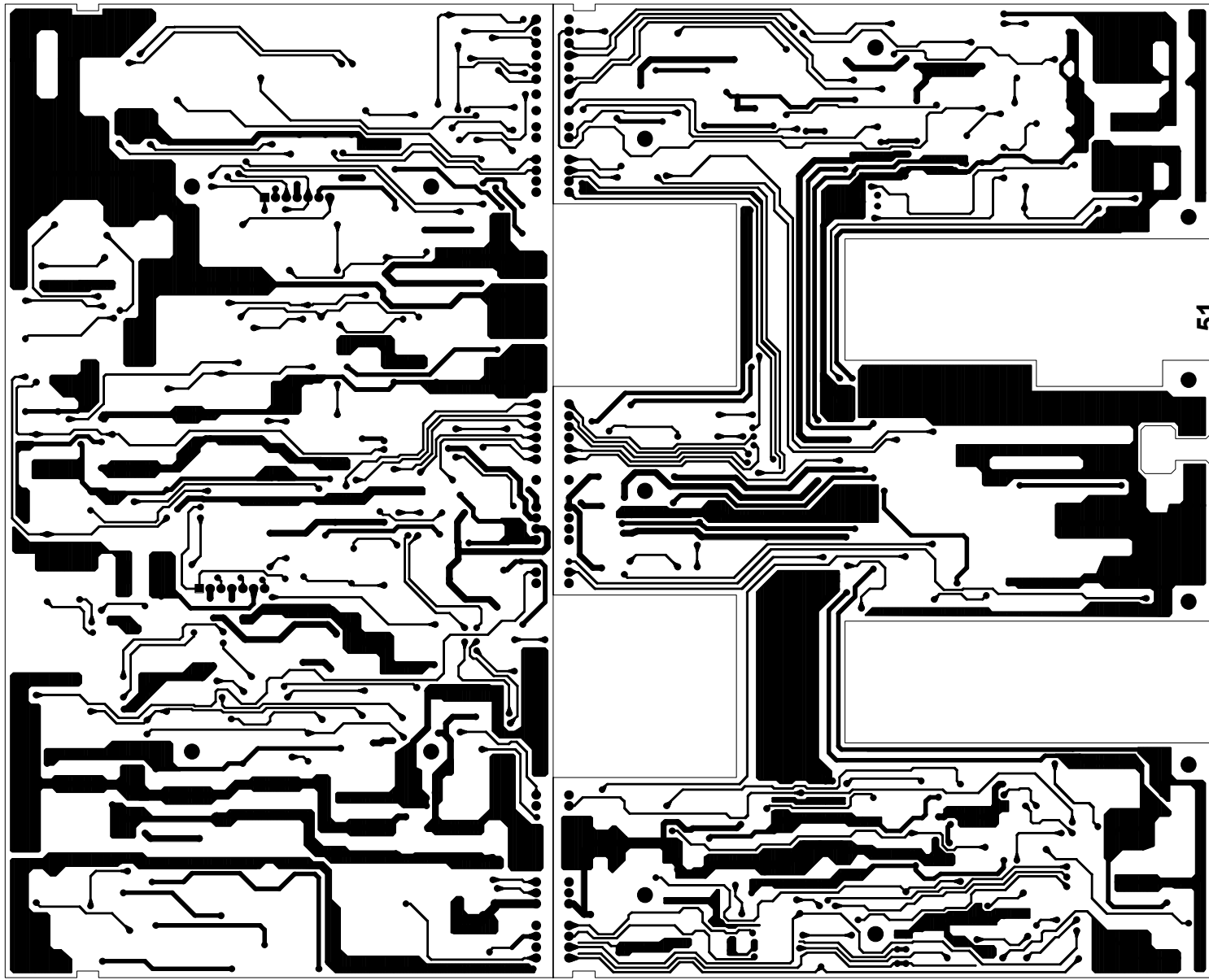


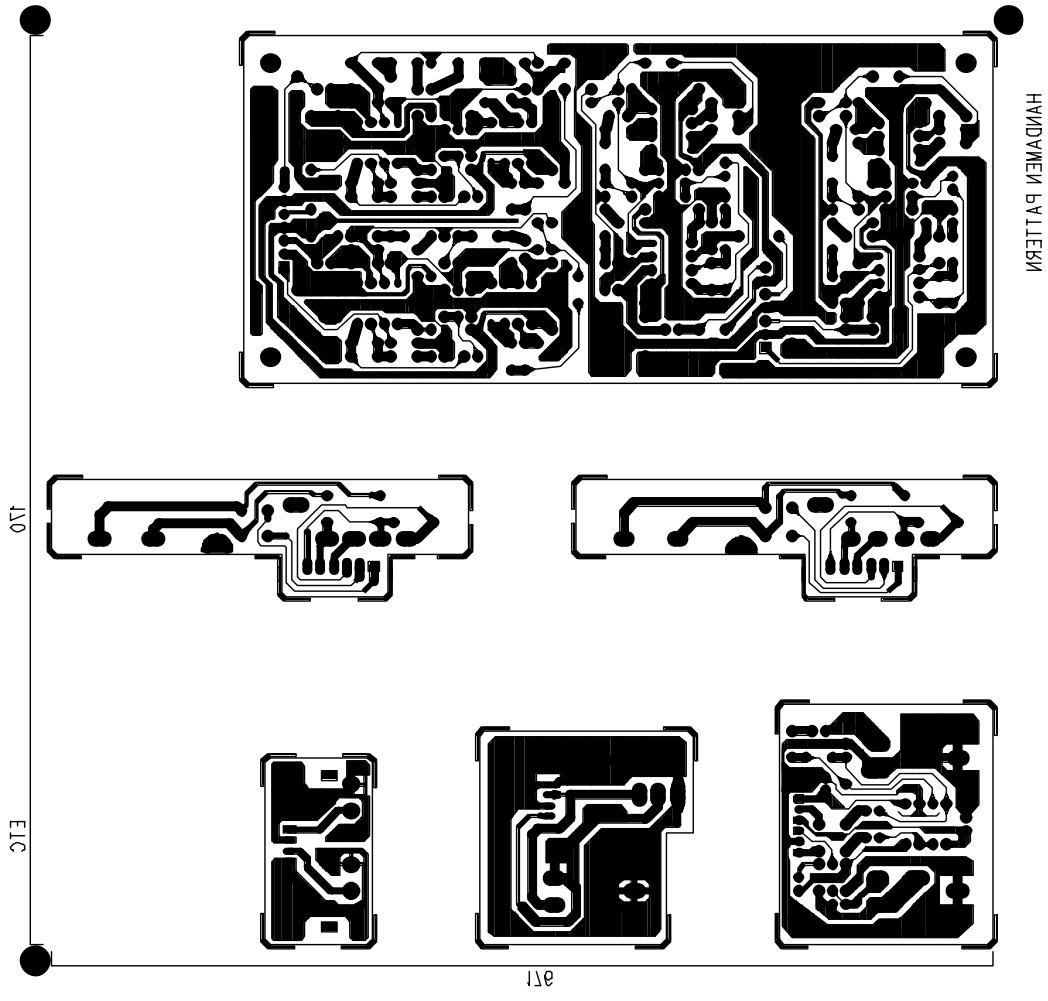
IN/OUT PCB



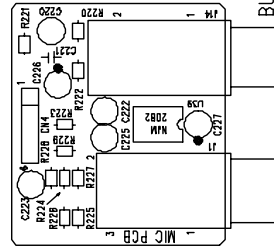
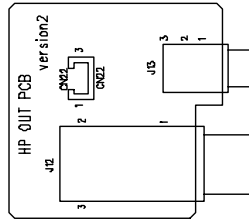
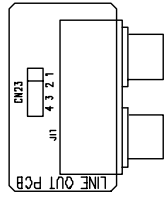








ETC



BUHMEN SILK

