



PROFESSIONAL TURNTABLE

PDX-3000MKII

SERVICE MANUAL

Vestax Corporation

Vestax Corporation

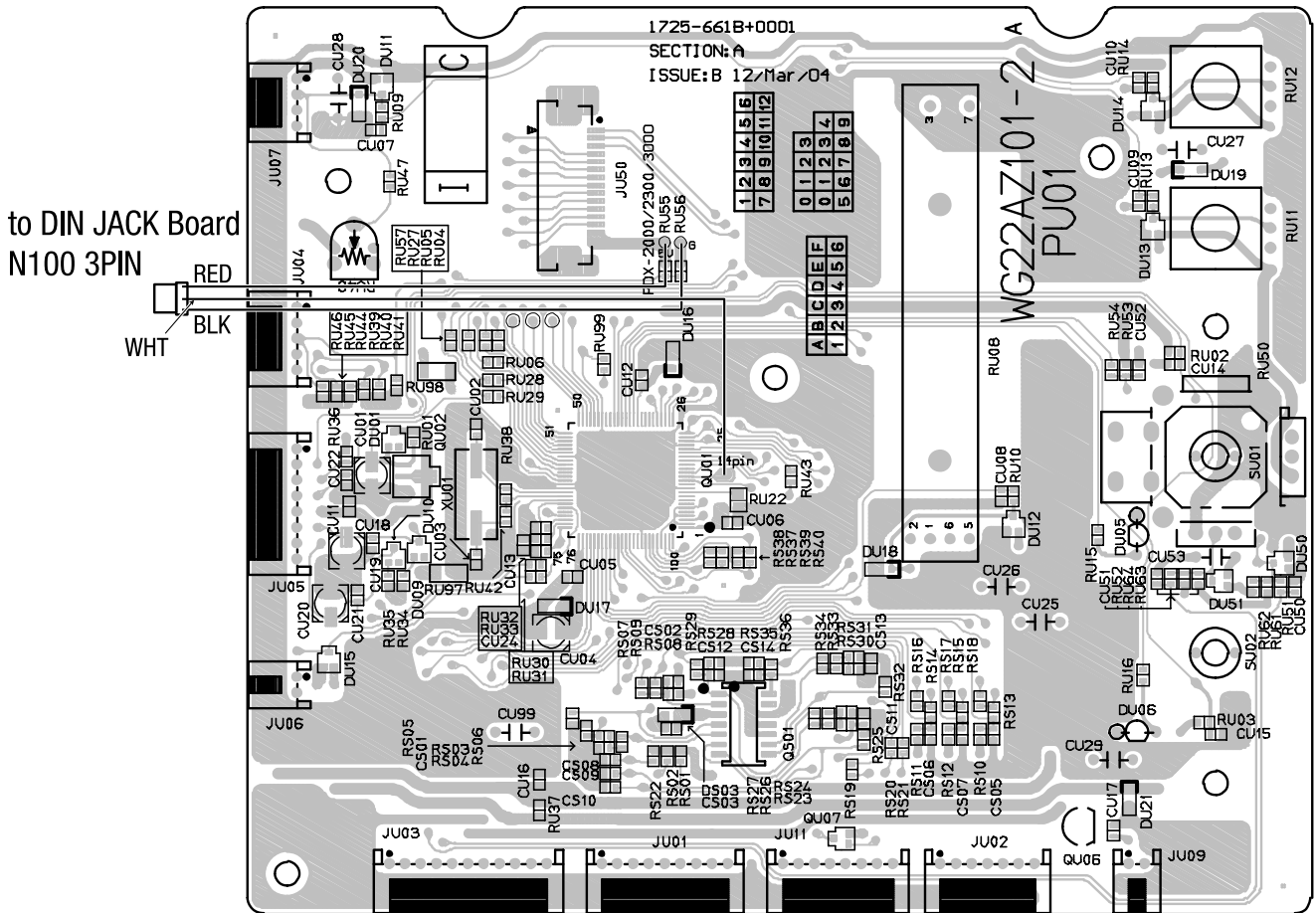
1-18-6 Wakabayashi, Setagaya-ku, Tokyo 154-0023 Japan
Phone 03-3412-7011 Fax 03-3412-7013
Web : www.vestax.com

Vestax Europe Technical Support

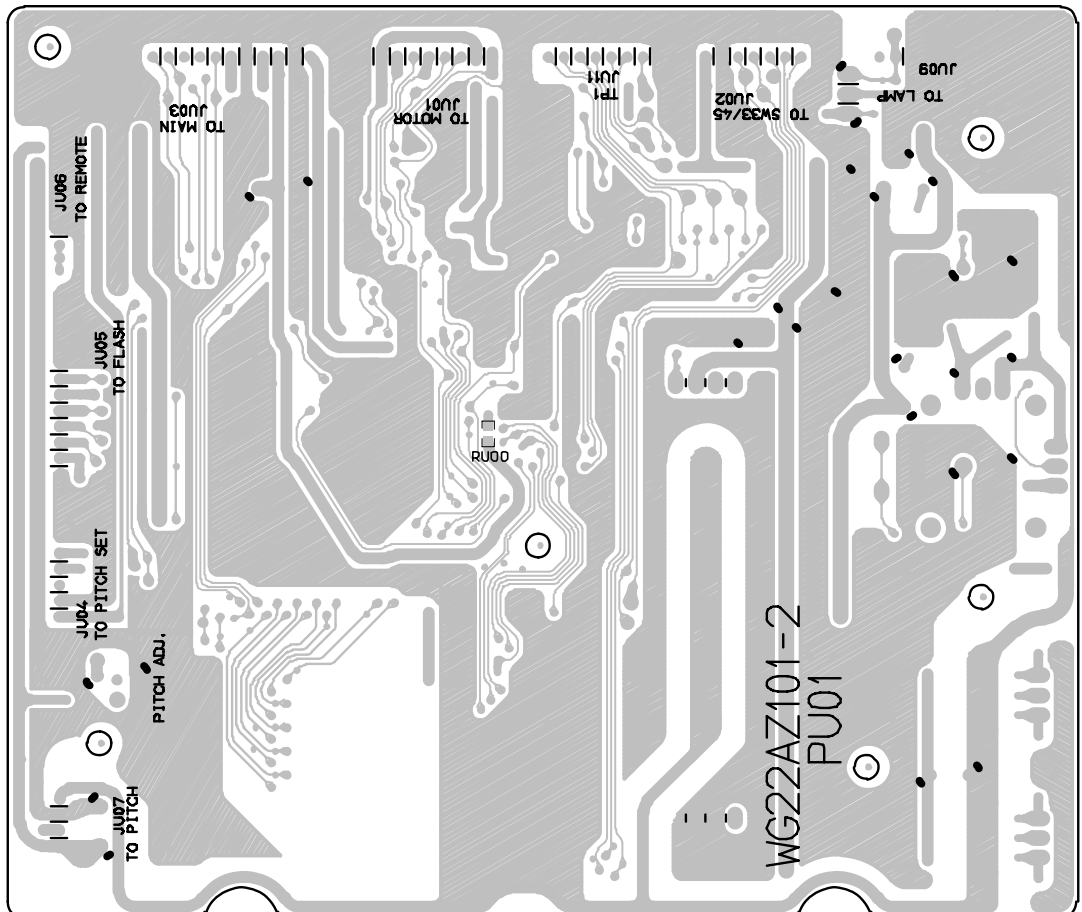
Rheinstr.213 D-53332 Bornheim Germany
Phone 49(0)2222-95-23-72 Fax 49(0)2222-95-23-74

PCB LAYOUT

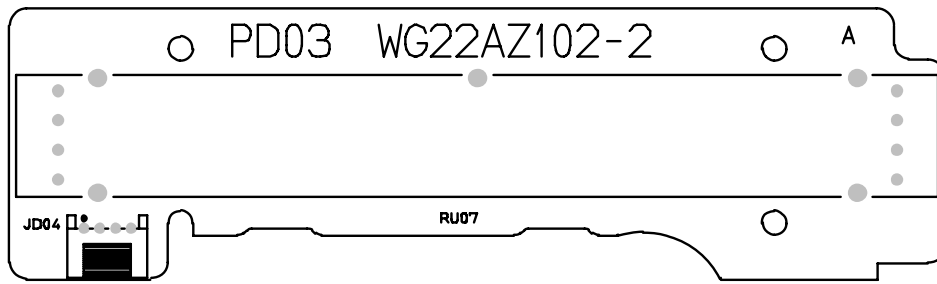
UCOM Board - Top side



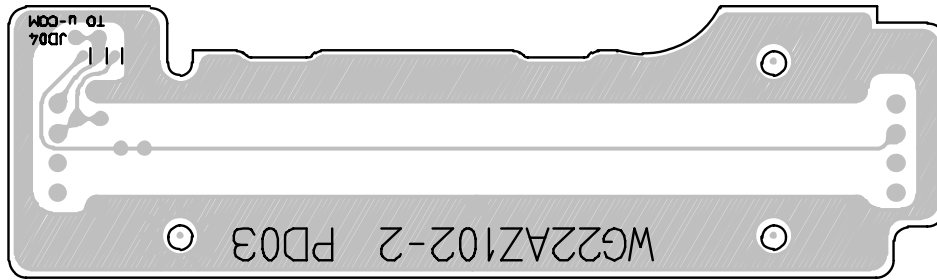
UCOM Board - Bottom side



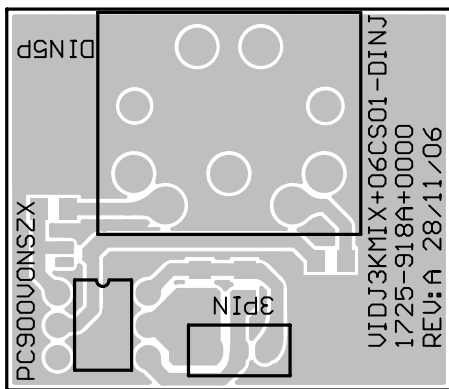
FINE PITCH Board - Top side



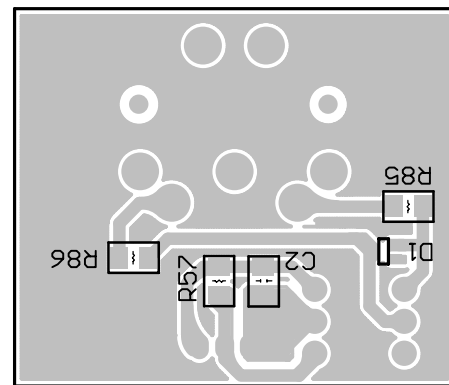
FINE PITCH Board - Bottom side



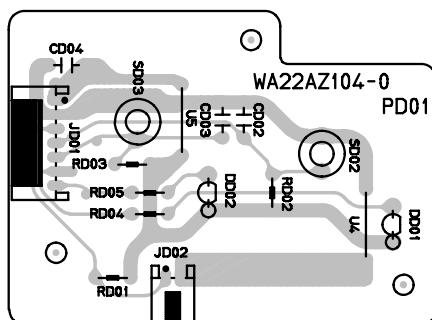
DIN JACK Board - Top side



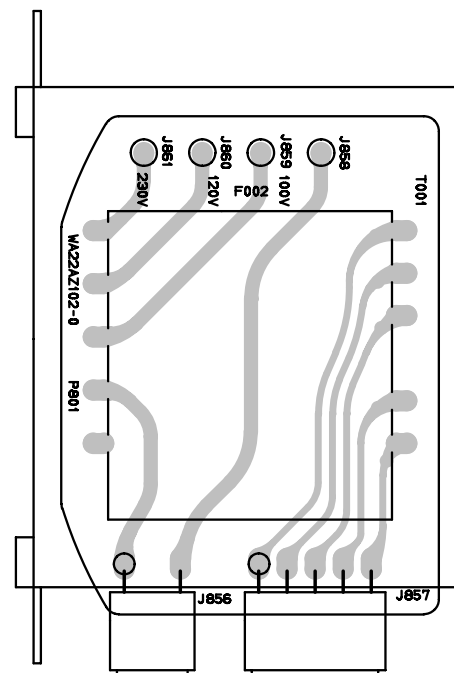
DIN JACK Board - Bottom side



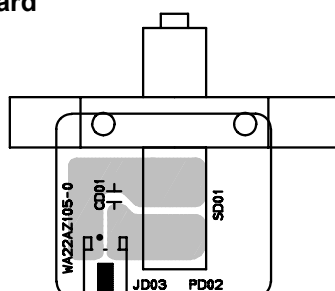
33/45 SW Board



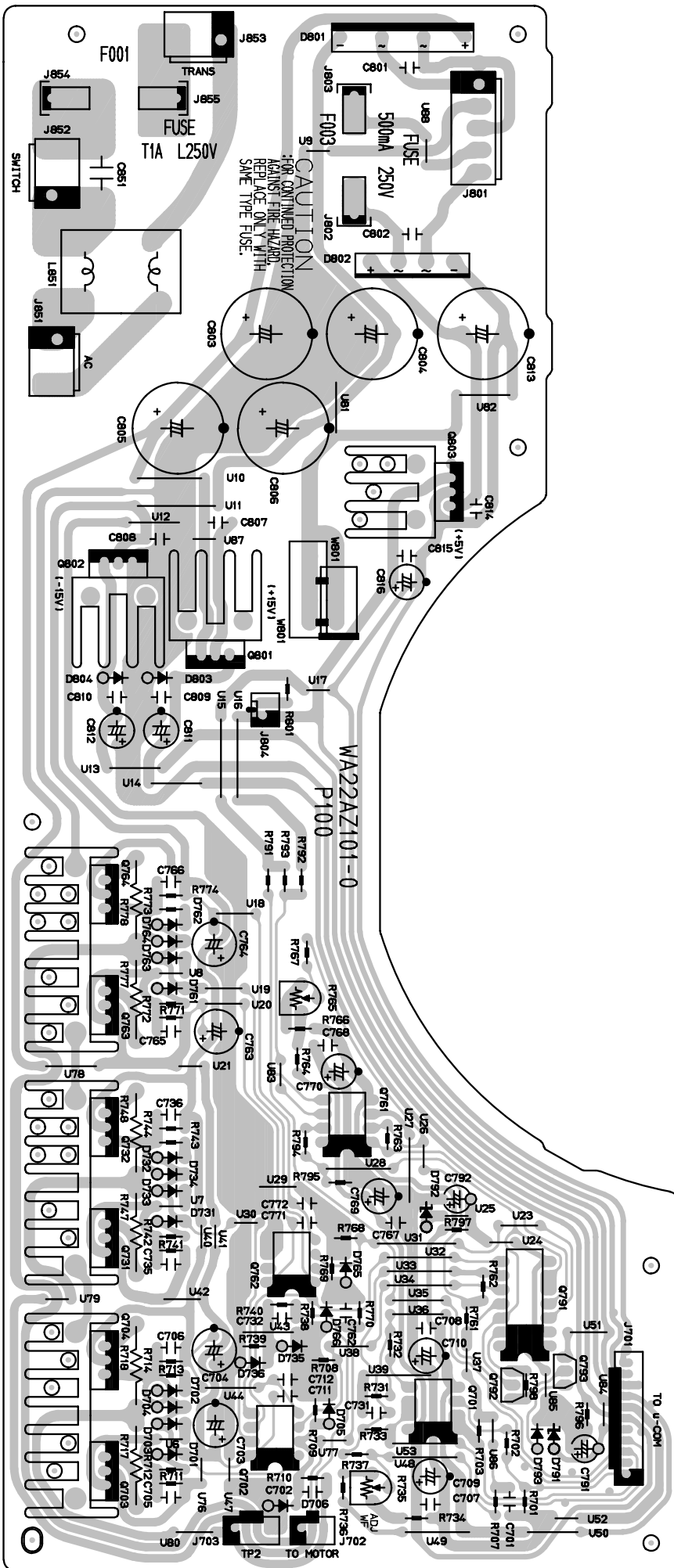
TRANSFORMER Board



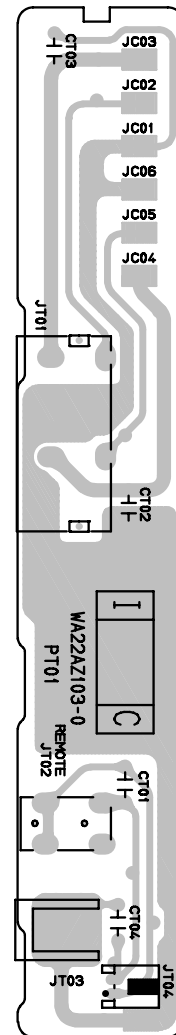
START/STOP Board



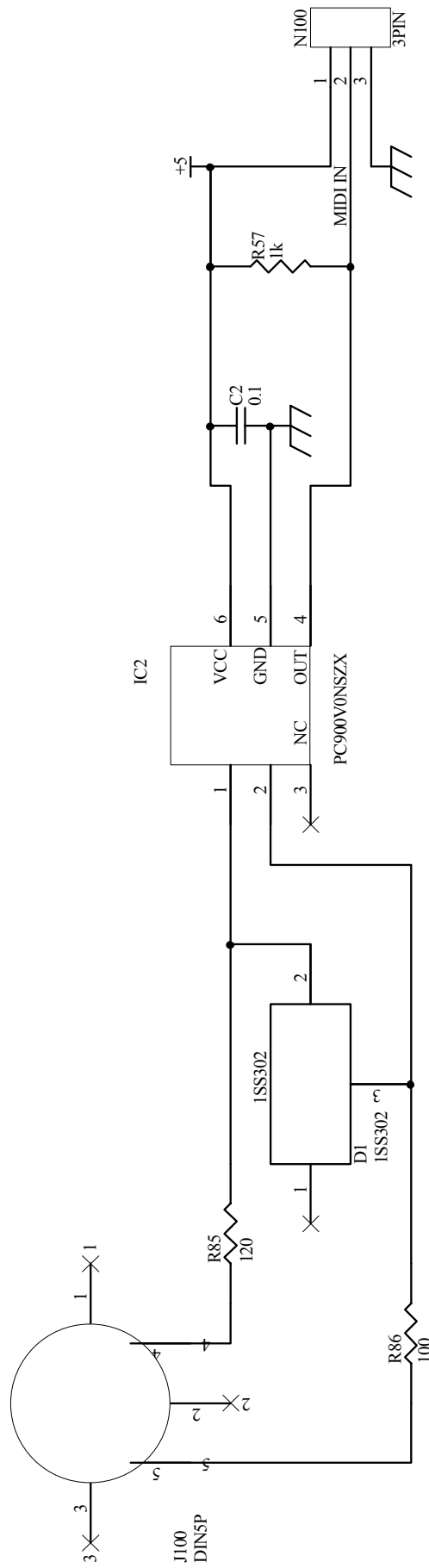
AMP Board

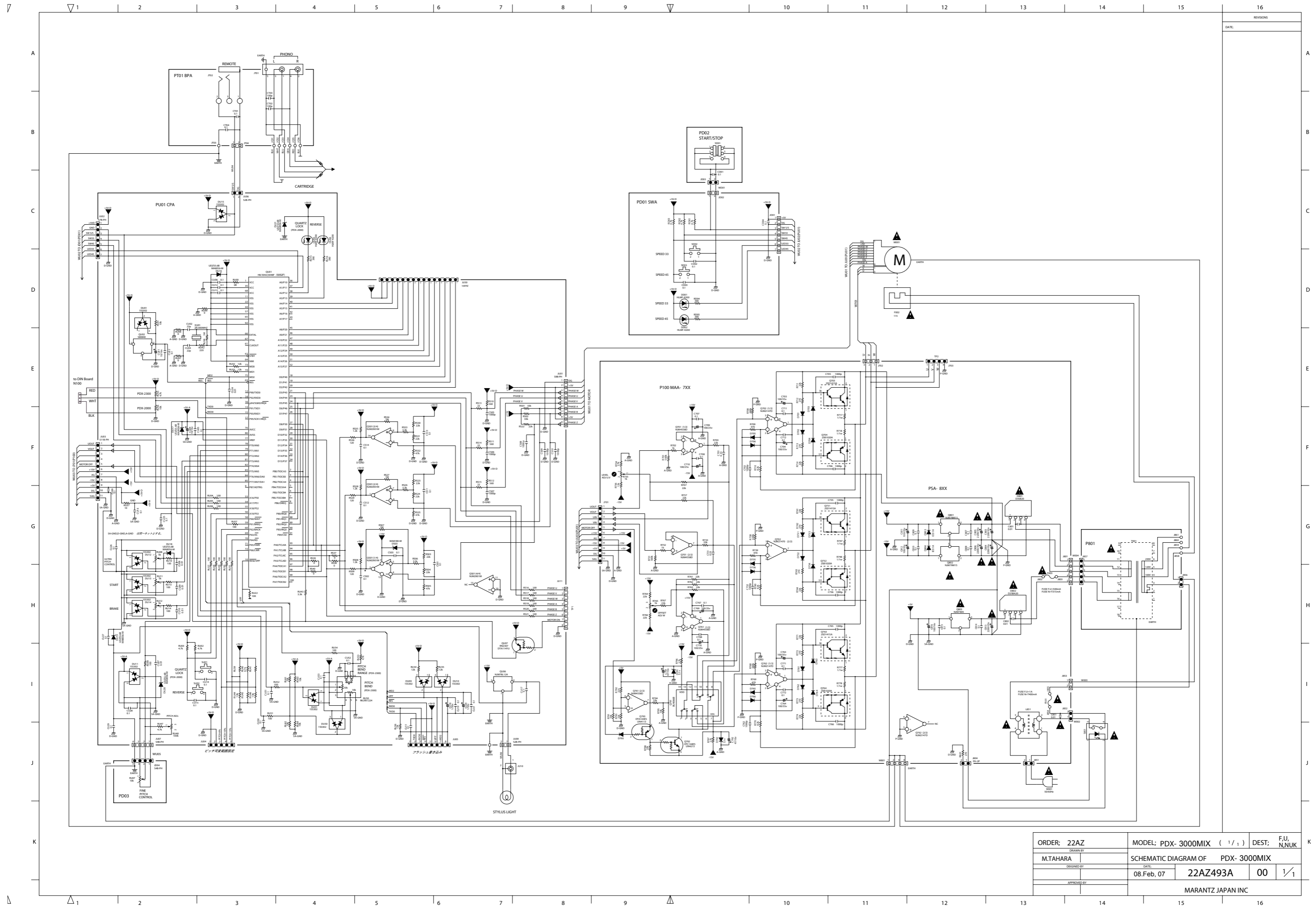


JACK Board



SCHEMATIC DIAGRAM





ORDER; 22AZ	MODEL; PDX-3000MIX (1 / 1)	DEST; F.U. N.NUK
CREATED BY M.TAHARA	SCHEMATIC DIAGRAM OF PDX-3000MIX	
DATE	08.Feb. 07	22AZ493A
APPROVED BY		00 1/1
MARANTZ JAPAN INC		

ELECTRICAL PART LIST

Location	Part Number	Description
PCB ASSY DIN JACK		
	PCB-3KMIX01+DINJ	PCB ASSY DIN JACK PDX300
PC BOARD		
	1725-918A+0000	PCB MIDI SINGLE
CAPACITOR		
C2	150F-104M+P-AC	CC 50V 0.1U 20%
DIODE		
D1	480S-3020+3	DIODE 1SS302(TE85L/F) SM
WAFER/SOCKET		
N100	2102-030S+J01	WAFER 3P P2.0 ST JAPAN
JACK/SOCKET		
J100	2113-1682+0	DIN 5P 180DEG SOCKET
RESISTOR		
R86	4723-101J+P-R	RMG 1/16W 100R 5% 0603
R57	4723-102J+P-R	RMG 1/16W 1K 5% 0603
R85	4723-121J+P	RMG 1/16W 120R 5%
MISCELLANEOUS		
FOR N100	7012-8242+0	WIRE-CONN 3P P2.0 #26
IC2	481O-NSZX+3	PHOTOCOUPLER PC900VONSZX
PCB ASSY UCOM PDX3000MIX		
	PCB-3KMIX01+UCOM	PCB ASSY UCOM PDX3000MIX
PC BOARD		
	1725-661B+0001	PCB COM D/S FR-3
CAPACITOR		
CS01, CS02, CS03	150D-104M+P-AC	CC 16V 0.1U 20%
CS05, CS06, CS07, CS08, CS09, CS10	150F-102K+P-AC	CC 50V 1000P 10%
CS11, CS12, CS13, CS14	150D-104M+P-AC	CC 16V 0.1U 20%
CU01	157D-106M+3-GJ	CE 16V 10U 20% SMD 4X5.4
CU02, CU03	150F-330J+P-AC	CC 50V 33P 5% 0603/1608
CU04	157D-106M+3-GJ	CE 16V 10U 20% SMD 4X5.4
CU05, CU06	150D-104M+P-AC	CC 16V 0.1U 20%
CU07, CU08, CU09, CU10	150F-103K+P-AC	CC 50V 0.01uF 10% 0603
CU11, CU12, CU13, CU14, CU15, CU16, CU17	150D-104M+P-AC	CC 16V 0.1U 20%
CU18	157F-105M+3-GJ	CE 50V 1uF 20% SM 4X5.4
CU19	150D-104M+P-AC	CC 16V 0.1U 20%

Location	Part Number	Description
CU20	157F-105M+3-GJ	CE 50V 1uF 20% SM 4X5.4
CU21, CU22	150D-104M+P-AC	CC 16V 0.1U 20%
CU24	150F-103K+P-AC	CC 50V 0.01uF 10% 0603
CU25, CU26, CU27, CU28, CU29, CU99	150F-104K+K-II	CC 50V 0.1U 10% RLT 5x5
DIODE		
DS03	483H-18B1+3	DZ 0.2W 17.56-18.35V SMD
DU01, DU09, DU10, DU11, DU12, DU13, DU14, DU15	480S-3020+3	DIODE 1SS302(TE85L/F) SM
DU16, DU17, DU18, DU19, DU20, DU21	483H-5B61+3	DZ 0.2W 5.49-5.73 SMD
WAFER/SOCKET		
JU01	2102-090R+J01	WAFER 9P P2.0 90DEG
JU02	2102-070R+J01	WAFER 7P P2.0 90DEG
JU03	2102-110R+J01	WAFER 11P P2.0 90DEG
JU05	2102-080R+J01	WAFER 8P P2.0 90DEG
JU06	2102-020R+J01	WAFER 2P P2.0 90DEG
JU07	2102-040R+J01	WAFER 4P P2.0 90DEG
JU09	2102-020R+J01	WAFER 2P P2.0 90DEG
JU11	2102-080R+J01	WAFER 8P P2.0 90DEG
TRANSISTOR		
QU07	4852-3070+3	TR RN2307 DTA114YUAT106
RESISTOR		
RS40, RU99	4723-000J+P-R	RMG 1/16W 0R 5% 0603
RU37	4723-100J+P-R	RMG 1/16W 10R 5% 0603
RS16, RS17, RS18, RS19, RS20, RS21, RU04, RU05, RU06, RU09, RU10, RU13, RU14, RU27, RU28, RU29, RU30, RU31, RU51, RU52, RU54, RU57	4723-101J+P-R	RMG 1/16W 100R 5% 0603
RU01, RU44, RU46, RU61, RU62, RU63, RU64	4723-103J+P-R	RMG 1/16W 10K 5% 0603
RS08, RS28, RS35	4723-122J+P-R	RMG 1/16W 1.2K 5% 0603
RU32, RU33, RU35, RU36	4723-123J+P-R	RMG 1/16W 12K 5% 0603
RS13, RS14, RS15	4723-220J+P-R	RMG 1/16W 22R 5% 0603
RU42	4723-221J+P-R	RMG 1/16W 220R 5% 0603
RS03, RS04, RS22, RS23, RS24, RS30, RS31	4723-223J+P-R	RMG 1/16W 22K 5% 0603
RS06, RS26, RS33, RU43	4723-332J+P-R	RMG 1/16W 3.3K 5% 0603
RS01, RS02	4723-333J+P-R	RMG 1/16W 33K 5% 0603 HK
RU02, RU03, RU40, RU47, RU53, RU55	4723-472J+P-R	RMG 1/16W 4.7K 5% 0603
RS05, RS25, RS32	4723-473J+P-R	RMG 1/16W 47K 5% 0603
RS10, RS11, RS12	4723-561J+P-R	RMG 1/16W 560R 5% 0603
RS07	4723-105J+P	RMG 1/16W 1M 5%
RS09	4723-121J+P	RMG 1/16W 120R 5%
RS27	4723-105J+P	RMG 1/16W 1M 5%
RS29	4723-121J+P	RMG 1/16W 120R 5%
RS34	4723-105J+P	RMG 1/16W 1M 5%
RS36	4723-121J+P	RMG 1/16W 120R 5%
RU15, RU16	4723-391J+P	RMG 1/16W 390R 5%

Location	Part Number	Description
RU22	4711-103A+2	RMF 1/8W 10K 1% AT
RU38	4723-105J+P	RMG 1/16W 1M 5%
RU97, RU98	4721-000J+6	RMG 1/8W OR 5% 1206
IC		
QS01	3131-9830+0	IC NJM2901M#ZZZB
QU01	3132-5610+0-28	IC MCU HD64F3052F25
QU02	3131-9820+0	IC S80840CNUA-E8Z-T2G
QU06	3131-8990+0	IC REG NJM78L12AT-#ZZZB/
VR/SVR		
RU08	4751-4526+0	VR 5KB C.C RS45112C9A03
RU11, RU12	4751-4506+0	VR 5KB RK09K113 L=25MM
RU48	4756-1046+3-06	SVR B100K H3 7x7.6
SWITCH		
SU01, SU02	5200-4847+0-01	SW TACT SPST SKQNAED010
LED		
DU05, DU06	3700-2821+R	LED D3 RED HLMF-K200
MISCELLANEOUS		
XU01	2300-3303+0	CRYSTAL 25MHZ +/-20PPM
<u>PCB ASSY AMP PDX2300MKII</u>		
(JP/US VERSION)	PCB-P230201+AMP	PCB ASSY AMP PDX2300MKII
(EU/UK VERSION)	PCB-P230221+AMP	PCB ASSY AMP PDX2300MKII
PC BOARD		
	1725-646B+0000	PCB MOTOR AMP MA021C
CAPACITOR		
C701, C731	153I-334J+V-NN	CM 63V 0.33U 5% RBT
C702	150F-102K+K-II	CC 50V 1000PF T-10% 5X5
C703, C704	157Q-107M+K-OVF	CE 35V 100U 20% RLT
C705, C706	150F-102K+K-II	CC 50V 1000PF T-10% 5X5
C707, C708	150F-104K+K-II	CC 50V 0.1U 10% RLT 5x5
C709, C710	157E-107M+K-KUF	CE 25V 100U 20% RLT6X11
C711, C712	150F-104K+K-II	CC 50V 0.1U 10% RLT 5x5
C732, C735, C736, C762	150F-102K+K-II	CC 50V 1000PF T-10% 5X5
C763, C764	157Q-107M+K-OVF	CE 35V 100U 20% RLT
C765, C766	150F-102K+K-II	CC 50V 1000PF T-10% 5X5
C767, C768	150F-104K+K-II	CC 50V 0.1U 10% RLT 5x5
C769, C770	157E-107M+K-KUF	CE 25V 100U 20% RLT6X11
C771, C772	150F-104K+K-II	CC 50V 0.1U 10% RLT 5x5
C791, C792	157D-476M+K-IUF	CE 16V 47U 20% RLT 5X11R
C801, C802	150F-103K+K-II	CC 50V 0.01U 10% RLT 5x5

Location	Part Number	Description
C803, C804, C805, C806	157Q-228M+5-5\$F	CE 35V 2200UF 20% RL
C807, C808, C809, C810	150F-104K+K-II	CC 50V 0.1U 10% RLT 5x5
C811, C812	157E-107M+K-KUF	CE 25V 100U 20% RLT6X11
C813	157E-228M+5-5&F	CE 25V 2200uF 20% RL
C814, C815	150F-104K+K-II	CC 50V 0.1U 10% RLT 5x5
C816	157E-107M+K-KUF	CE 25V 100U 20% RLT6X11
C851	150R-103M+5-5S	CC 250V 0.01UF 20% RL
DIODE		
D701, D702, D703, D704, D705, D706, D731, D732, D733, D734, D735, D736, D761, D762, D763, D764, D765, D766	4840-0990+2	DIODE 1SS133(223163T)
D791, D792	4837-5B11+2	DZ 1/2W 4.94-5.20V ROHM
D793	4840-0990+2	DIODE 1SS133(223163T)
D801	480S-B600+5	DIODE BRIDGE 600V 4A
D802	480B-A600+5	DIODE BRIDGE 600V 1.5A
D803, D804	4804-0030+2	DIODE IN4003-F AT
WAFER/SOCKET		
J701	2102-110S+J01	WAFER 11P P2.0 STRAIGHT
J702	2102-030S+J01	WAFER 3P P2.0 ST JAPAN
J703	2102-040S+J01	WAFER 4P P2.0 ST JAPAN
J801	2101-1431+0	WAFER 5P P3.96 JAPAN
J804	2102-020S+003	2P ST. WAFER P=2.0
J851, J852, J853	2101-1432+0	WAFER 2P P7.92 JAPAN
TRANSISTOR		
Q703	4854-15A0+5	TR 2SD1415A(F) RL TO220
Q704	4850-20A0+5	TR 2SB1020A(F) RL TO220
Q731	4854-15A0+5	TR 2SD1415A(F) RL TO220
Q732	4850-20A0+5	TR 2SB1020A(F) RL TO220
Q763	4854-15A0+5	TR 2SD1415A(F) RL TO220
Q764	4850-20A0+5	TR 2SB1020A(F) RL TO220
Q792	485C-144E+K	TR DTC144ESATP ROHM RLT
Q793	485A-144N+K	TR DTA144ESATP ROHM
Q801	4860-8650+0	REG NJM7815FA-#ZZZB
Q802	4860-8660+0	REG NJM7915FA-#ZZZB
RESISTOR		
R701	4705-564J+C	RCF 1/4W 560K 5% ATS
R702	4705-102J+C	RCF 1/4W 1K 5% ATS
R703, R707	4715-223A+C	RMF 1/4W 22K 1% ATS
R708	4705-684J+C	RCF 1/4W 680K 5% ATS
R709	4705-471J+C	RCF 1/4W 470R 5% ATS
R710	4705-822J+C	RCF 1/4W 8.2K 5% ATS
R711	4705-223J+C	RCF 1/4W 22K 5% ATS
R712, R713	4705-271J+C	RCF 1/4W 270R 5% ATS
R714	4705-223J+C	RCF 1/4W 22K 5% ATS
R717, R718	4718-010J+L-X	RMF 1W 1R 5% AF METAL

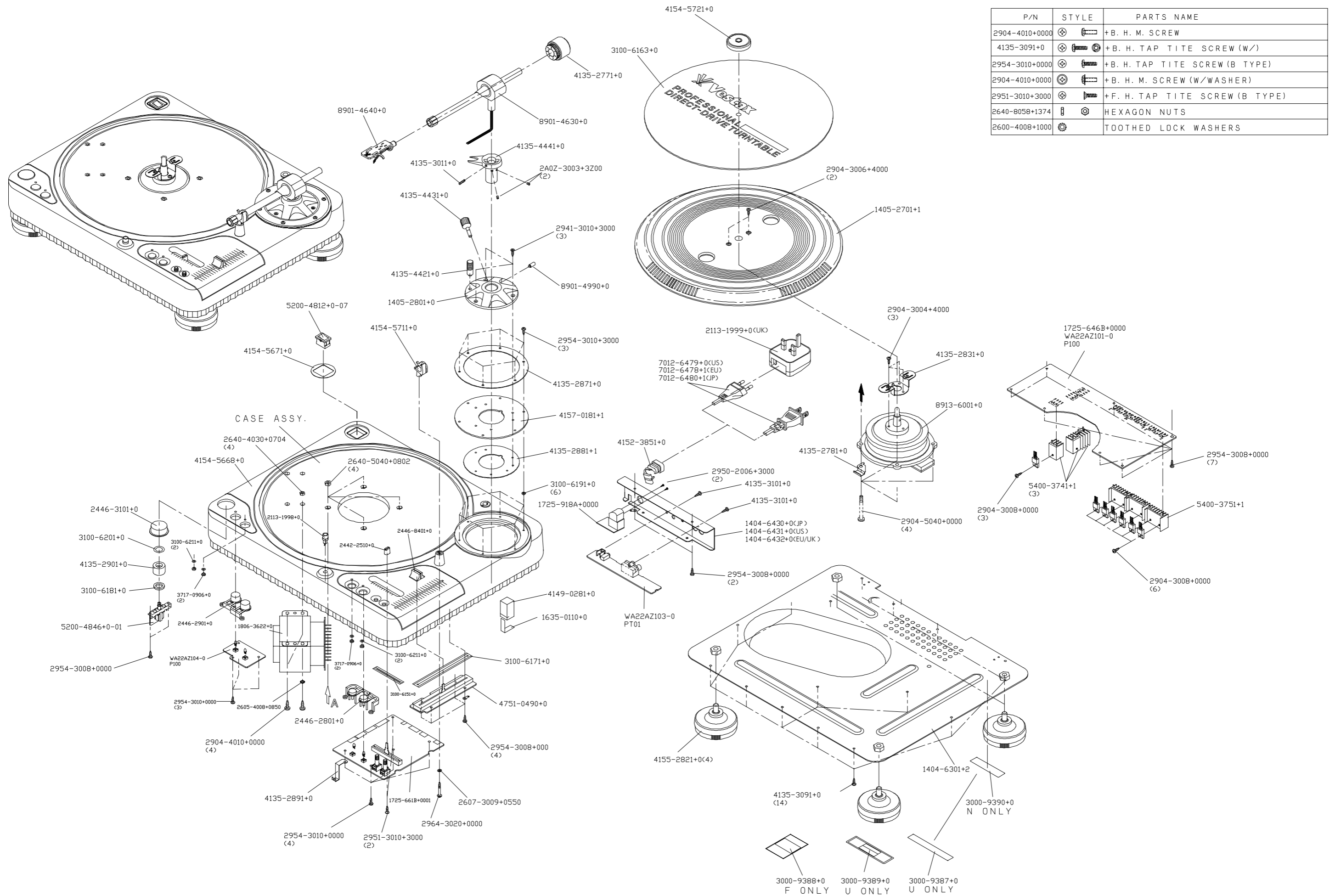
Location	Part Number	Description
R731	4705-564J+C	RCF 1/4W 560K 5% ATS
R732	4705-102J+C	RCF 1/4W 1K 5% ATS
R733	4715-223A+C	RMF 1/4W 22K 1% ATS
R734	4705-272J+C	RCF 1/4W 2.7K 5% ATS
R736	4705-123J+C	RCF 1/4W 12K 5% ATS
R737	4715-223A+C	RMF 1/4W 22K 1% ATS
R738	4705-684J+C	RCF 1/4W 680K 5% ATS
R739	4705-471J+C	RCF 1/4W 470R 5% ATS
R740	4705-822J+C	RCF 1/4W 8.2K 5% ATS
R741	4705-223J+C	RCF 1/4W 22K 5% ATS
R742, R743	4705-271J+C	RCF 1/4W 270R 5% ATS
R744	4705-223J+C	RCF 1/4W 22K 5% ATS
R747, R748	4718-010J+L-X	RMF 1W 1R 5% AF METAL
R761, R762, R763	4715-223A+C	RMF 1/4W 22K 1% ATS
R768	4705-684J+C	RCF 1/4W 680K 5% ATS
R769	4705-471J+C	RCF 1/4W 470R 5% ATS
R770	4705-822J+C	RCF 1/4W 8.2K 5% ATS
R771	4705-223J+C	RCF 1/4W 22K 5% ATS
R772, R773	4705-271J+C	RCF 1/4W 270R 5% ATS
R774	4705-223J+C	RCF 1/4W 22K 5% ATS
R777, R778	4718-010J+L-X	RMF 1W 1R 5% AF METAL
R791	4705-333J+C	RCF 1/4W 33K 5% ATS
R792, R793, R794	4705-223J+C	RCF 1/4W 22K 5% ATS
R795	4705-103J+C	RCF 1/4W 10K 5% ATS
R796, R797	4705-272J+C	RCF 1/4W 2.7K 5% ATS
R798	4705-223J+C	RCF 1/4W 22K 5% ATS
R801	4705-271J+C	RCF 1/4W 270R 5% ATS
IC		
Q701	3130-0890+0	IC NJM4558D-#ZZZB
Q702	3131-8960+0	IC NJM2147D#ZZZB
Q761	3130-0890+0	IC NJM4558D-#ZZZB
Q762	3131-8960+0	IC NJM2147D#ZZZB
Q791	3131-8970+0	IC BU4066BC ROHM
Q803	3130-2020+2	IC NJM7805FA-#ZZZB
VR/SVR		
R735	4756-1026+3-21	SVR 1K RH063MC13R TYPE
FUSE		
F001 (JP/US VERSION)	5120-0020+0	FU T1A 250V UL/CSA 5X20
F001 (EU/UK VERSION)	5120-0100+0	FUSE T400MA 250V
F003 (JP/US VERSION)	5100-5010+1A	500MA/250V UL/CSA SLOW
F003 (EU/UK VERSION)	5120-0027+0	FUSE 250V 5X20 SEMKO/VDE
HEATSINK		
REG	5400-3751+0	HEAT SINK MA001C BIG
TR	5400-3741+1	HEATSINK SMALL

Location	Part Number	Description
WIRE		
W801	7012-6476+0	CON WIRE 4P P3.96 UL1430
SCREW		
HEATSINK	2904-3008+0000	M3X8MM BINDING HEAD
MISCELLANEOUS		
1A/250V	3000-9434+0	FUSE LABEL 1.0A
J802, J803, J854, J855	4132-1011+0	FUSE HOLDER
L851	1806-3623+0	LINE FILTER LF-4D-102
PCB ASSY FINE PITCH		
	PCB-P230201+FINE	PCB ASSY FINE PITCH PDX2
PC BOARD		
	1725-661B+0001	PCB COM D/S FR-3
WAFER/SOCKET		
JD04	2102-040R+J01	WAFER 4P P2.0 90DEG
VR/SVR		
RU07	4751-0490+0	VR NS-AIT 10KB VESTAX
PCB ASSY JACK PDX2300		
	PCB-P230201+JACK	PCB ASSY JACK PDX2300
PC BOARD		
	1725-646B+0000	PCB MOTOR AMP MA021C
CAPACITOR		
CT01	150F-104K+K-II	CC 50V 0.1U 10% RLT 5x5
CT02, CT03	150F-101J+K-IF	CC 50V 100P 5% RLT 5x3.5
CT04	150F-104K+K-II	CC 50V 0.1U 10% RLT 5x5
WAFER/SOCKET		
JT04	2102-020R+J01	WAFER 2P P2.0 90DEG
JACK/SOCKET		
JT01	2113-1996+0	JACK RCA 2P R/W
JT02	2113-1997+0	JACK 3.5MM
MISCELLANEOUS		
JT03	4132-6221+0	BRACKET GROUNDING

Location	Part Number	Description
<u>PCB ASSY START/STOP</u>		
	PCB-P230201+STOP	PCB ASSY START/STOP PDX2
<i>PC BOARD</i>		
	1725-646B+0000	PCB MOTOR AMP MA021C
<i>CAPACITOR</i>		
CD01	150F-104K+K-II	CC 50V 0.1U 10% RLT 5x5
<i>WAFER/SOCKET</i>		
JD03	2102-020R+J01	WAFER 2P P2.0 90DEG
<i>SWITCH</i>		
SD01	5200-4846+0-01	SW 2P2T MOMENTARY
<u>PCB ASSY 33/45 SW</u>		
	PCB-P230201+SW	PCB ASSY 33/45 SW PD2300
<i>PC BOARD</i>		
	1725-646B+0000	PCB MOTOR AMP MA021C
<i>CAPACITOR</i>		
CD02, CD03, CD04	150F-104K+K-II	CC 50V 0.1U 10% RLT 5x5
<i>WAFER/SOCKET</i>		
JD01	2102-070R+J01	WAFER 7P P2.0 90DEG
JD02	2102-020R+J01	WAFER 2P P2.0 90DEG
<i>RESISTOR</i>		
RD01, RD02, RD03	4705-472J+C	RCF 1/4W 4.7K 5% ATS
RD04, RD05	4705-391J+C	RCF 1/4W 390 5% ATS
<i>SWITCH</i>		
SD02, SD03	5200-4847+0-01	SW TACT SPST SKQNAED010
<i>LED</i>		
DD01, DD02	3700-2821+R	LED D3 RED HLMF-K200
<u>PCB ASSY TRANSFORMER</u>		
(JP VERSION)	PCB-P230201+TRAN	PCB ASSY TRANS. PDX2300
(US VERSION)	PCB-P230211+TRAN	PCB ASSY TRANS. PDX2300
(EU/UK VERSION)	PCB-P230221+TRAN	PCB ASSY TRANS. PDX2300
<i>PC BOARD</i>		
	1725-646B+0000	PCB MOTOR AMP MA021C

Location	Part Number	Description
<i>WAFER/SOCKET</i>		
J856	2101-1435+0	WAFER 2P P7.92 90DEG
J857	2101-1436+0	WAFER 5P P3.96 90DEG
<i>TRANSFORMER</i>		
T001	1806-3622+0	TRANSFORMER EI MA001C
<i>MISCELLANEOUS</i>		
F002	5201-0003+1	THERMAL SW 115C AC250V

EXPLODED VIEW • PARTS LIST



P/N	STYLE	PARTS NAME
2904-4010+0000	⊕	+B. H. M. SCREW
4135-3091+0	⊕	+B. H. TAP TITE SCREW (W/)
2954-3010+0000	⊕	+B. H. TAP TITE SCREW (B TYPE)
2904-4010+0000	⊕	+B. H. M. SCREW (W/WASHER)
2951-3010+3000	⊕	+F. H. TAP TITE SCREW (B TYPE)
2640-8058+1374	⊕	HEXAGON NUTS
2600-4008+1000	⊕	TOOTHED LOCK WASHERS

Vestax Corporation

Vestax Corporation

1-18-6 Wakabayashi, Setagaya-ku, Tokyo 154-0023 Japan
Phone 03-3412-7011 Fax 03-3412-7013
Web : www.vestax.com

Vestax Europe Technical Support

Rheinstr.213 D-53332 Bornheim Germany
Phone 49(0)2222-95-23-72 Fax 49(0)2222-95-23-74

Issue 1
Mov.04, 2010