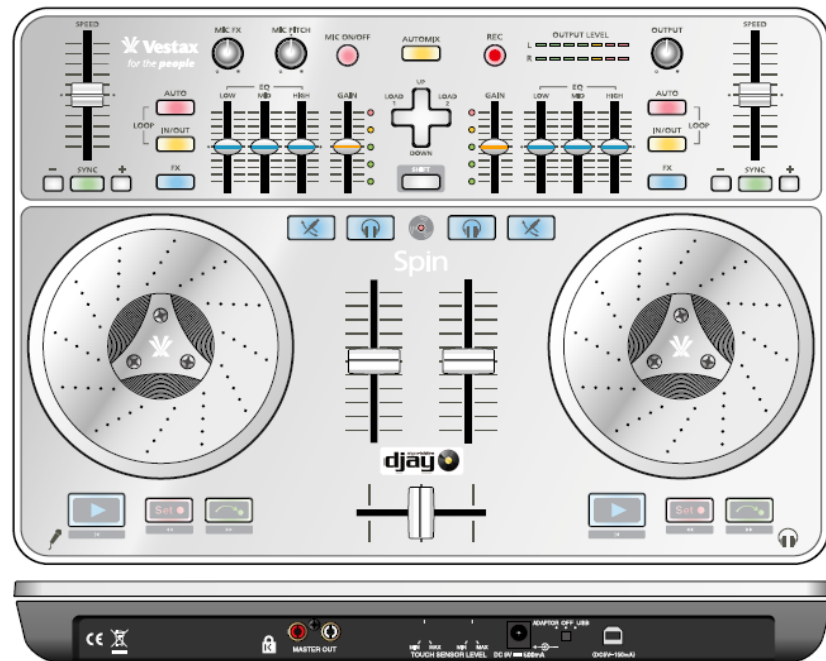


SERVICE MANUAL

MODEL: SNC02



SPECIFICATION

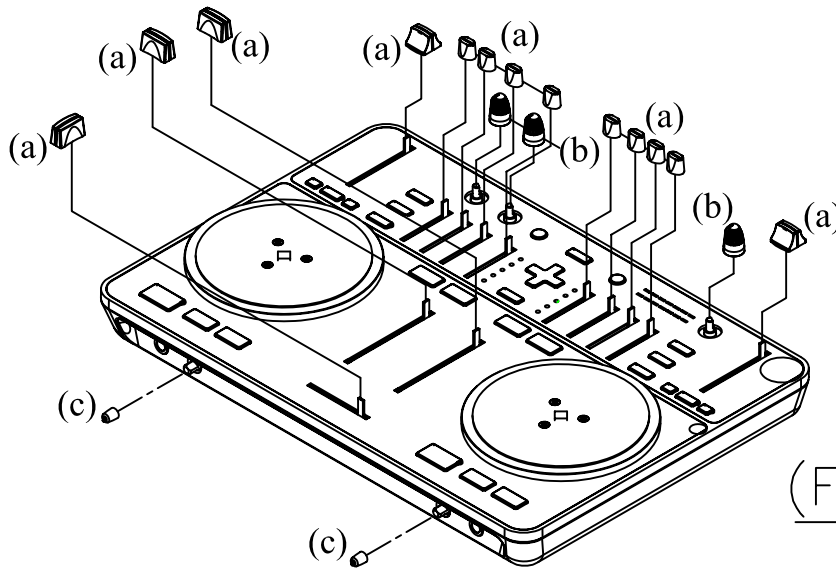
FEATURES

1. **Seamless iTunes Integration** – Launch dJAY and you're ready to mix your songs and playlists from iTunes, with beautiful cover art right on the virtual vinly.
2. **Drag & Drop Mixing** – dJAY lets you easily mix all your tracks and playlists from iTunes. Simply drag and drop the songs onto the turntables.
3. **Auto mix** – Enable Automix mode and let dJAY mix your playlists with seamless DJ-style transitions. Non-stop and fully automatic.
4. **Live Microphone** – Put your own voice into the mix. Use Echo or Pitch-Changer effects to transform your vocals for the perfect MC performance or hours of fun at your next party.
5. **Live Mix Recording** – Record your mixes live-for your latest podcast, movie project, or photo slide show with seamless music transitions. Or to make a classic "mixtape"

DISASSEMBLY PROCEDURES

1. REMOVAL OF KNOBS SLIDE AND VR KNOB (Fig. 1)

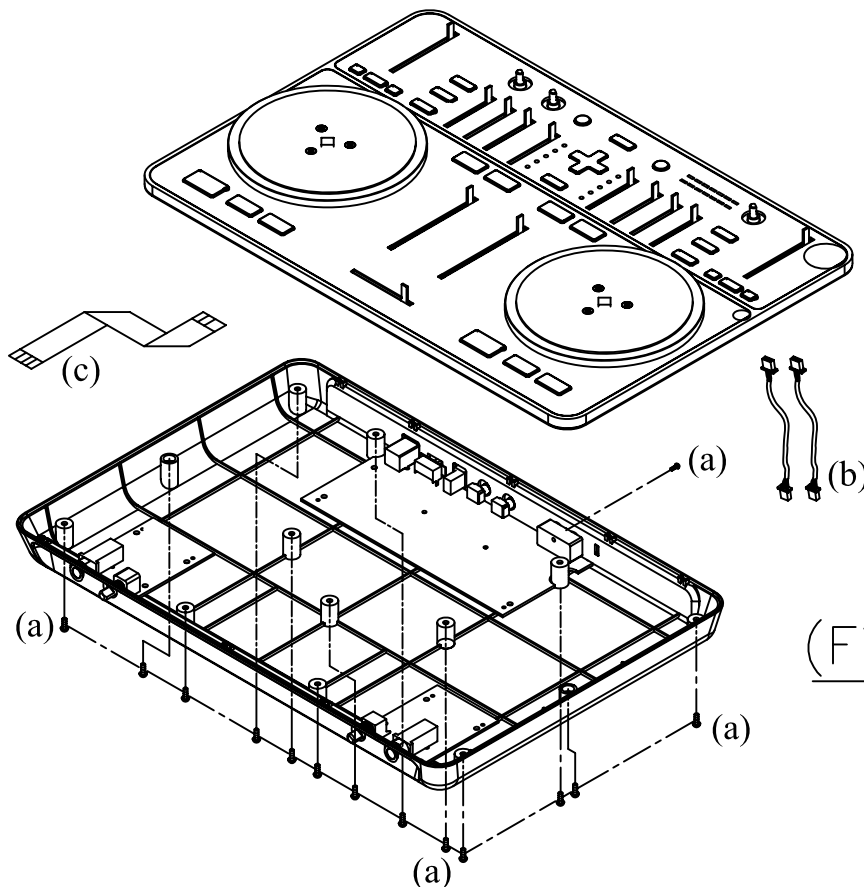
- (a) Remove 13 of slide knobs from Top Panel.
- (b) Remove 3 pcs of vr knobs (large) from Top Panel.
- (c) Remove 2 pcs of vr knobs (small) from Rear Panel.



(Fig. 1)

2. REMOVAL OF BOTTOM PLATE/TOP PANEL (Fig. 2)

- (a) Remove 14 pcs of screws at Bottom Plate
- (b) Take off 2 pcs of wire from Control PCB/Sound Card PCB.
- (c) Take off 1pc of flat wire from Control PCB/Sound Card PCB.

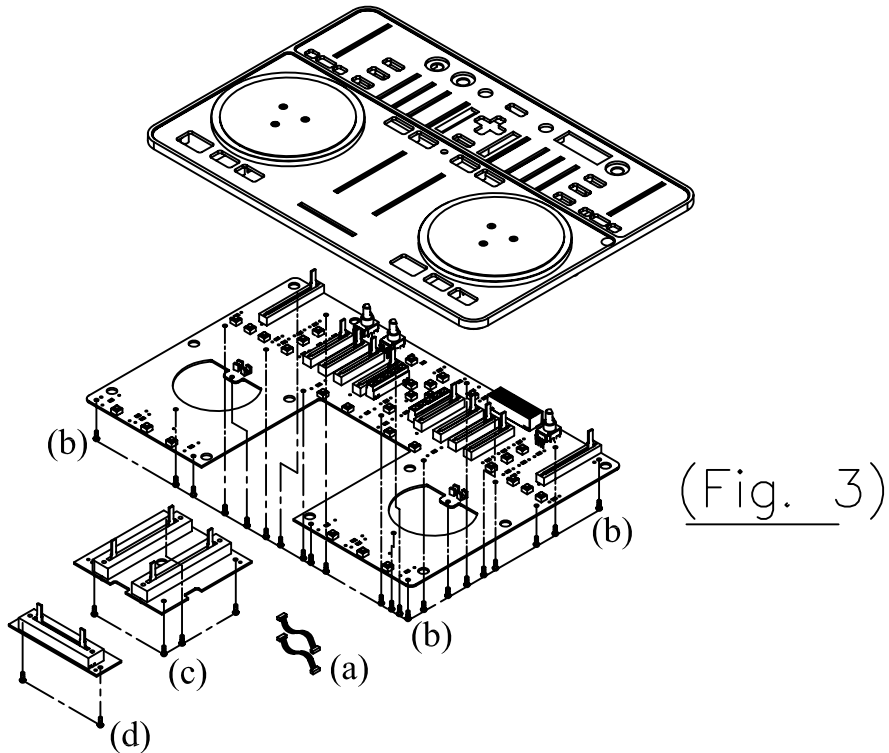


(Fig. 2)

DISASSEMBLY PROCEDURES

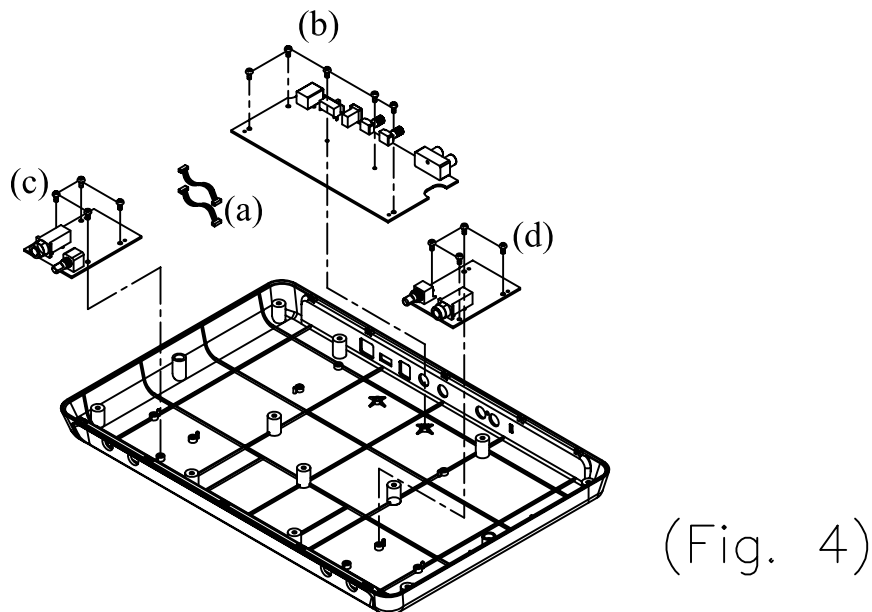
3. REMOVAL OF PCB FROM TOP PANEL (Fig. 3)

- (a) Remove 2 pcs of connector wire from L.Fader and C.Fader PCB.
- (b) Remove 22 pcs of screws from Control PCB.
- (c) Remove 4 pcs of screws from L.Fader PCB.
- (d) Remove 2 pcs of screws from C.Fader PCB.



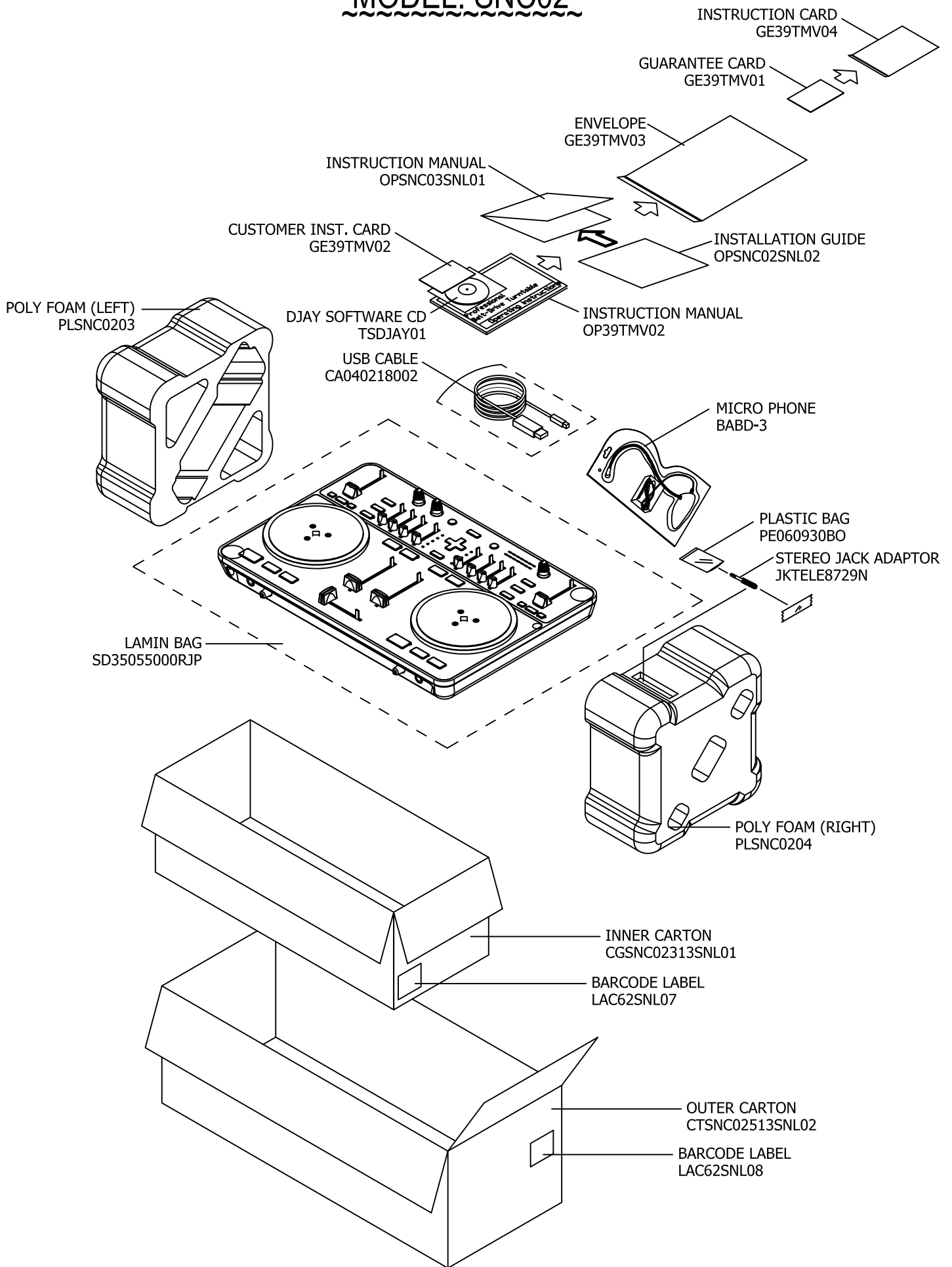
4. REMOVAL OF PCB FROM BOTTOM PLATE (Fig. 4)

- (a) Take off 2 pcs of connector wire from Sound Card PCB.
- (b) Remove 5 pcs of screws from Sound Card PCB.
- (c) Remove 4 pcs of screws from Mic Jack PCB.
- (d) Remove 4 pcs of screws from Headphone PCB.



PACKING DIAGRAM

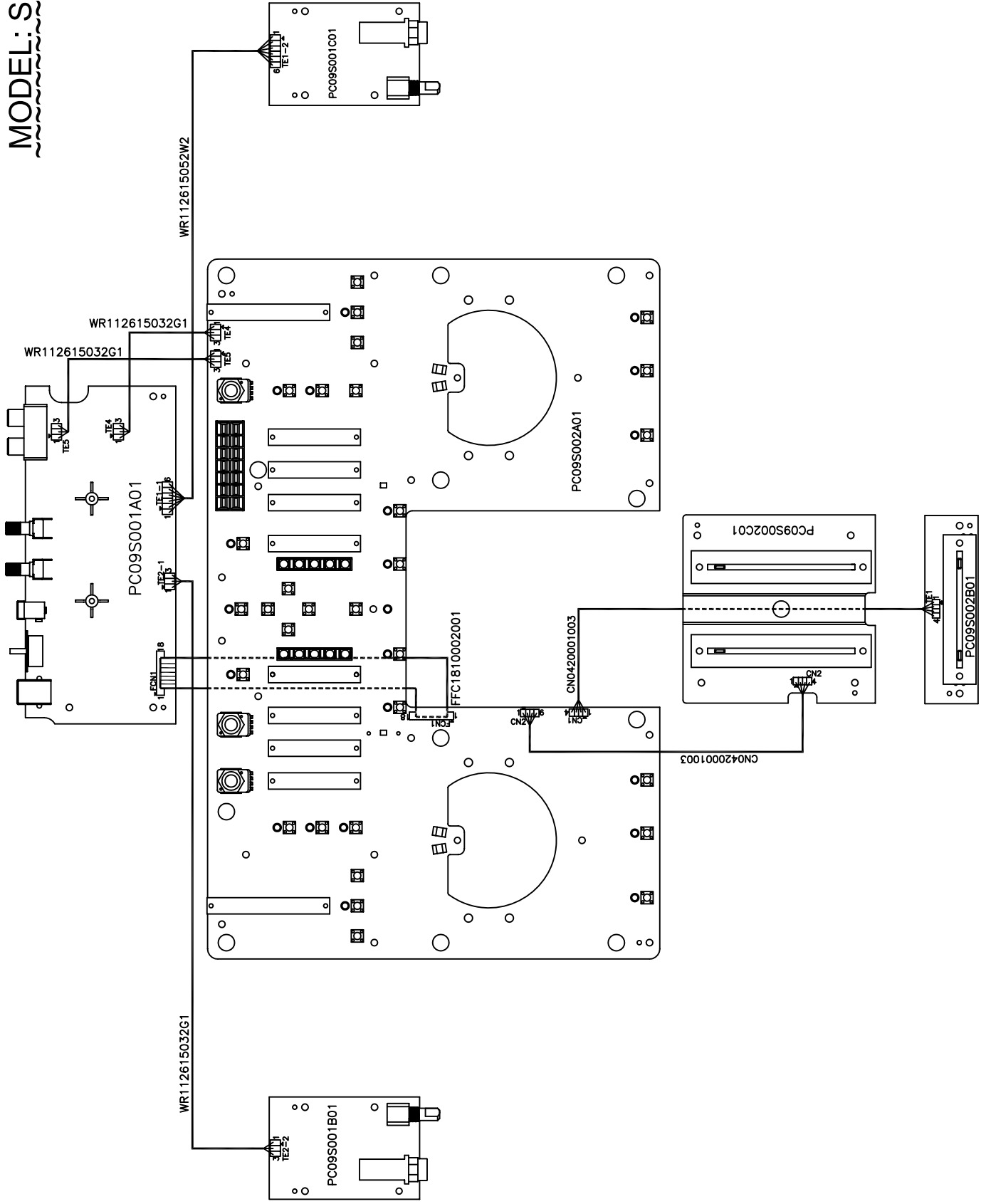
MODEL: SNC02



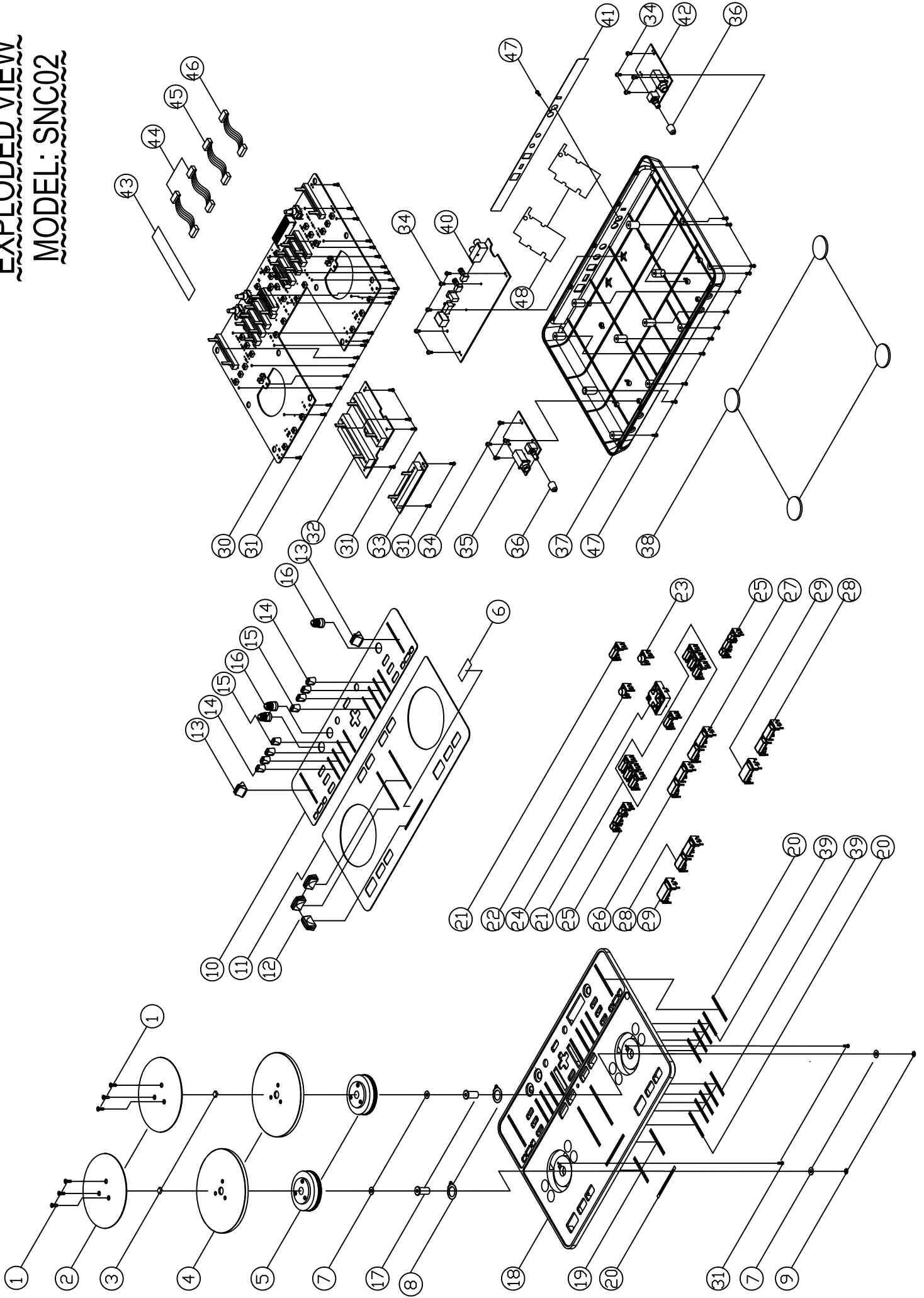
1 CARTON= 1 SET

WIRING DIAGRAM

MODEL: SNC02



EXPLODED VIEW
MODEL: SNC02



SNC02 (BOM)

Lvl	Materials	SPECS	Qty	Part Location
.1	FFC1810002001	18P FLAT WIRE 200MM FFC	1	43
.1	LAC42SNL06	LABEL (DJAY)	1	6
.1	MT5101801	GROUNDING PLATE	2	8
.1	MT510440101	FIXED METAL (WHEEL) W/SPRAYING	2	2
.1	MT5105502	METAL SHAFT	2	17
.1	NM1106115	VELVET CARPET	3	20
.1	NM1106118	VELVET CARPET	2	19
.1	NM5106101	VELVET CARPET	8	39
.1	NP251SNL01	NAME PLATE (UP)	1	10
.1	NP251SNL02	NAME PLATE (DOWN)	1	11
.1	NP251SNL03	NAME PLATE (REAR)	1	41
.1	NP351SNL07	ALUMINIUM FOIL	2	48
.1	PT5104401	FIXED PLASTIC (PLATTER)	2	4
.1	PT511060102	PLASTIC KNOB(PLAY) W/PRINTING	2	29
.1	PT5110602	PLASTIC KNOB(KEY)	2	25
.1	PT511060401	PLASTIC KNOB W/PRINTING (LEFT)	1	26
.1	PT511060402	PLASTIC KNOB W/PRINTING (RIGHT)	1	27
.1	PT511060403	PLASTIC KNOB (CUE) PRINTING	2	28
.1	PT5110605	PLASTIC KNOB (+)	1	24
.1	PT5110606	PLASTIC KNOB(AUTO MIX)	8	21
.1	PT5110607	PLASTIC KNOB (REC)	1	22
.1	PT511060701	PLASTIC KNOB(REC) W/PRINTING	1	23
.1	PT5110608	SLIDER KNOB(LARGE)	3	12
.1	PT5110609	SLIDER KNOB(PITCH)	2	13
.1	PT511061002	SLIDER KNOB (EQ) W/ BLUE PAINT	6	14
..2	PT5110610	SLIDER KNOB(EQ)	1	
.1	PT511061003	SLIDER KNOB (EQ) W/ ORANGE PAINT	2	15
..2	PT5110610	SLIDER KNOB(EQ)	1	
.1	PT5110611	KNOB VR (LARGE)	3	16
.1	PT5110613	PLASTIC KNOB	2	36
.1	PT5110701	ROTATE KNOB	2	5
.1	PT5130201	CABINET	1	18
.1	PT5130301	BOTTOM BOARD	1	37
.1	PU007007003	CONDUCTIVE FOAM	2	3
.1	PU007015005	CONDUCTIVE FOAM	3	46
.1	RN109111	E RING(9MM)	2	9
.1	RU0730604	RUBBER FOOT	4	38
.1	SC0306PBBI	SCREW	13	34
.1	SC0308FBNI	SCREW	6	1
.1	SC0308RBNI	SCREW	28	31
.1	SC0310RBBI	SCREW	14	47
.1	WR112615032G1	3P WIRE -ROHS	3	44
.1	WR112615052W2	6P WIRE 2.0MM 150MM DOUBLE MALE JACK	1	45
.1	WS117010505P	WASHER (TEFLON)	4	7
.1	TWPC09S00101	PCB ASS'Y (SOUND CARD)	1	
..2	PC09S001	PCB SOUND CARD (DOUBLE LAYER FR4 300*95MM)	1	
..2	TWPC09S001A01	PCB ASS'Y SOUND CARD	1	40
...3	JW5206T	JUMPER WIRE (A.I.) 52MM	2	EC606, 607
...3	EC10616TS	E. CAP 10UF/16V (7MM)	9	EC209, 301, 302, 601, 602, 604, 605, EC608, 609
...3	EC10625TL	(LOW LEAKAGE) E. CAP 10UF/25V	1	EC801
...3	EC10625TS	E. CAP 10UF/25V	2	EC910, 913
...3	EC22725TS	Capacitor 220UF/25V-RoHS	1	EC802
...3	EC47550TS	E. CAP (SMALL) 4.7UF/50V	6	EC901~905, 907
...3	EC47625TS	E. CAPACITOR 47UF/25V 7MM	2	EC908, 911
...3	AA822383X	IC AIC1525CS (SOP8)	1	IC905
...3	AL2-51-0140	DIODE POWER SCHOTTKY MBRS140LT3 40V 1A	2	ZD903, 904
...3	AL2-61-3463	IC REG VOLTAGE MC34063A ADJ	1	IC904
...3	AL2-61-7223	IC REG VOLTAGE NJU7223DL1-33 3.3V TO-252	2	IC902, 903
...3	AL2-71-0074	IC MC33079 QUAD-OP-AMP SOP-14 (TL074)	1	IC602
...3	AL2-75-4344	IC CONVERTER D/A CS4344 24BIT 192KHZ (12S) TSSOP10	2	IC301, 601

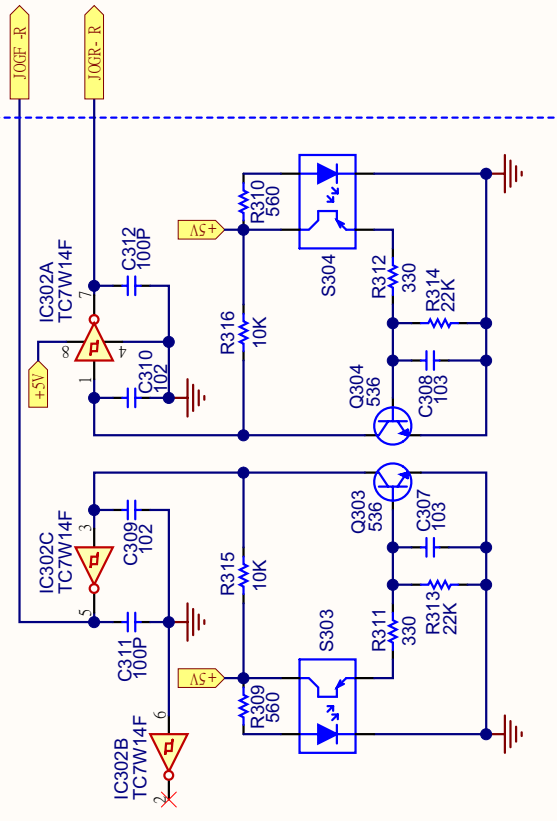
Lvl	Materials	SPECS	Qty	Part Location
...3	CS101J5003COG	CHIP CAP 100PF/50V +/-5% 0603 (COG)	6	C401, 606, 607, 613, 614, 910
...3	CS102K5003X7R	CHIP CAP 1000PF/50V,X7R,+/-10%, SMD 0603	1	C402
...3	CS104K5003X7R	CHIP CAP 0.1UF/50V,X7R,+/-10%, SMD 0603	26	C210~212, 301, 302, 405, 410~417, 601, C602, 615, 616, 901~906, 913, 914
...3	CS270J5003COG	C.CAP 27PF/50V,COG,+/-5%,-55~+125°C,SMD 0603	2	C408, 409
...3	CS300J5003NPO	CHIP CAPACITOR 30PF, NPO, +/-5%, 50V	2	C403, 404
...3	CS332J5003X7R	C.CAP 3300PF/50V,X7R,+/-5%,SMD 0603	2	C604, 605
...3	CS472K5003X7R	chip Cap 4.7nF 50V 10% 0603 X7R	2	C406, 407
...3	DIEN1N4148WSM	DIODE FAST SWICTHING 1N4848W SOD-123	3	D801~803
...3	DISR26	SCHOTTKY BARRIER RECTIFIER SMD	4	ZD901, 905, 907, 908
...3	IC74AHC1G125GW	IC 74AHC1G125G SOT353	1	IC908
...3	IC74HCT00D	IC 74HCT00D QUAD 2 INPUT NAND GATE	1	IC907
...3	ICBA05FP	IC (BA05FP)	1	IC901
...3	ICG696L293T1UF	IC RESET	1	IC403
...3	ICPCM1808PWR	IC PCM1808PWR	1	IC202
...3	ICTUSB3200	IC TUSB3200ACPAH TQFP	1	IC401
...3	ICYHFRS001	IC WITH PROGRAME	1	IC402
...4	IC24LC64TIMI	IC (64K SERIAL EEPROM) SOP 150MIL	1	
...3	RS00012J06	CHIP RES. 0 OHM,1/2W,±5%,1206	4	R906, 910, 924, 951
...3	RS00018J03	CHIP RES. 0 OHM,1/8W,+/-5%,0603	4	R430, 432, 803, 804
...3	RS04R704J06	CHIP RES. 4.7 OHM,1/4W,+/-5%,1206	1	R901
...3	RS0R2204F06	CHIP RES. 0.22 OHM,1/4W,+/-1%,1206	1	R911
...3	RS10018J03	CHIP RES. 10 OHM,1/8W,+/-5%,0603	1	R431
...3	RS10118F03	CHIP RES. 100 OHM, 1/8W, ±1%, 0603	19	R217~220, 301~304, 411, 412, 434~436, R601~604, 620, 621
...3	RS10218F03	CHIP RES. 1K OHM,1/8W,±1%,0603	3	R622, 623, 913
...3	RS10318J03	CHIP RES. 10K OHM,1/8W,+/-5%,0603	4	R429, 805, 907, 950
...3	RS10418J03	CHIP RES. 100K OHM,1/8W,+/-5%,0603	4	R918~920, 923
...3	RS10K718F03	CHIP RES.10.7K OHM,1/8W,+/-1%,0603	2	R610, 611
...3	RS15118J03	CHIP RES. 150 OHM,1/8W,±5%,0603	1	R437
...3	RS15218F03	CHIP RES. 1.50K OHM,1/8W,±1%,0603	1	R405
...3	RS180K10F03	CHIP RES. 180K OHM,1/10W,+/-1%,0603	1	R922
...3	RS27R418F03	CHIP RES. 27.4 OHM,1/8W,+/-1%,0603	2	R406, 407
...3	RS309118F03	CHIP RES. 3.09K OHM,1/8W,+/-1%,0603	1	R401
...3	RS324118F03	CHIP RES. 3.24K OHM,1/8W,+/-1%,0603	2	R606, 607
...3	RS33218F03	CHIP RES. 3.3K OHM,1/10W,±1%,0603	1	R912
...3	RS47318F03	CHIP RES. 47K OHM,1/8W,+/-1%,0603	9	R612~619, 921
...3	RS499118F03	CHIP RES 4.99K OHM , 1/8W, 1% 0603	2	R427, 428
...3	RS56418J03	CHIP RES. 560K OHM, 1/8W, ±5%, 0603	2	R801, 802
...3	RS5K3618F03	CHIP RES 5.36K OHM , 1/8W, 1% 0603	2	R608, 609
...3	TR2SA1037ASM	TRANSISTOR 608 SMD	1	Q801
...3	TR2SD2114KSM	TRANSISTOR NPN 2SD2114K SOT-23 (SMD)	2	Q602, 603
...3	TRDTA124ESM	TRANSISTOR A124 (SMD)	1	Q802
...3	UH465516-351	INDUCTOR 7.0UH 70M OHM 1.0A SMD 4.6*1.6*5.5	1	L1
...3	UHPIC1207-221M	COIL SMD 220UH	1	L2
...3	UHPIH6D28-220M	INDUCTOR 22UH 1.2A SMD-ROHS	2	L4, 5
...3	EC33725TLE	E.CAPACITOR 330UF/25V 8X15MM (UHD1E331MPT)	1	EC909
...3	FCN2S1001801	CONNECTOR , 2 WAY CONTACT, 180°, 1.0MM, 18P	1	FCN1
...3	JK4690-DR30-04F	USB2.0 B-TYPE 90	1	JK901
...3	JKDJ-0702B-020	DC SOCKET 2.0MM	1	JK902
...3	RJ2008HP-11F15A	RCA JACK (2P)	1	JK601
...3	SWSSSF113NA1	SWITCH (ON/OFF) 3T	1	SW901
...3	TE10200602	6P CONNECTOR SOCKET 90°	1	TE11
...3	TE612000301	3P CONNETOR SOCKET	2	TE4, 5
...3	TE622000302	3P CONNECTOR SOCKET	1	TE21
...3	VRR10302010	VARIABLE RESISTOR 10K2B 20MM	2	VR101, 102
...3	XTM06000X3	CRYSTAL 6MHZ(49US)-ROHS	1	X401
..2	TWPC09S001B01	PCB ASS'Y MIC.JK	1	35
...3	JW5206T	JUMPER WIRE (A.I.) 52MM	1	EC703
...3	EC10550TS	E. CAPACITOR 1UF/50V(7MM)	1	EC702
...3	EC10616TS	E. CAP 10UF/16V (7MM)	1	EC704
...3	EC10716TS	E. CAP (SMALL) 100UF/16V	3	EC705~707
...3	EC47450TS	E. CAP (SMALL) 0.47UF/50V	1	EC701

Lvl	Materials	SPECS	Qty	Part Location
...3	CS100J5003COG	C.CAP 10PF/50V,COG,+/-5%, SMD 0603	1	C703
...3	CS102K5003X7R	CHIP CAP 1000PF/50V,X7R,+/-10%, SMD 0603	1	C701
...3	CS104K1603X7R	CHIP CAP 0.1UF ±10% 16V 0603	1	C704
...3	CS470J5003COG	CHIP CAP 47PF +/-5% 50V 0603 COG	1	C702
...3	ICNJM2100M	IC (NJM2100M)	1	IC701
...3	RS10518F03	RESISTOR 1M 1% SMD 0603 -ROHS	1	R705
...3	RS15218F03	CHIP RES. 1.50K OHM,1/8W,±1%,0603	2	R708, 709
...3	RS22318F03	CHIP RES.22K OHM,1/8W,±1%,0603	1	R703
...3	RS22418J03	CHIP RES. 220KOHM,SMD0603,+/-5%,1/10W	1	R701
...3	RS47218J03	CHIP RES. 4.7K OHM,1/8W,+/-5%,0603	1	R704
...3	RS47318F03	CHIP RES. 47K OHM,1/8W,+/-1%,0603	2	R706, 707
...3	RS56218J03	CHIP RES. 5.6K OHM,1/8W,+/-5%,0603	1	R702
...3	JY6314-02-030	EARPHONEBASE W/NUT	1	JK701
...3	TE622000302	3P CONNECTOR SOCKET	1	TE22
...3	VRR50303007	VARIABLE RESISTOR 50KA-ROHS	1	VR701
..2	TWPC09S001C01	PCB ASS'Y HEADPHONE JK	1	42
...3	EC10616TS	E. CAP 10UF/16V (7MM)	2	EC303, 304
...3	EC10716TS	E. CAP (SMALL) 100UF/16V	2	EC305, 306
...3	CS101J5003COG	CHIP CAP 100PF/50V +/-5% 0603 (COG)	2	C307, 308
...3	CS104K5003X7R	CHIP CAP 0.1UF/50V,X7R,+/-10%, SMD 0603	1	C309
...3	ICNJM4556AM	IC (NJM4556AM)	1	IC302
...3	RS00018J03	CHIP RES. 0 OHM,1/8W,+/-5%,0603	4	R307~310
...3	RS10218F03	CHIP RES. 1K OHM,1/8W,±1%,0603	2	R319, 320
...3	RS10418J03	CHIP RES. 100K OHM,1/8W,+/-5%,0603	2	R305, 306
...3	RS15218F03	CHIP RES. 1.50K OHM,1/8W,±1%,0603	2	R311, 312
...3	RS33018J03	CHIP RES. 33 OHM,1/8W,+/-5%,0603	2	R317, 318
...3	RS6K6518F03	CHIP RES 6.65K OHM , 1/8W, 1% 0603	2	R313, 314
...3	TR2SD2114KSM	TRANSISTOR NPN 2SD2114K SOT-23 (SMD)	2	Q301, 302
...3	JY6314-02-030	EARPHONEBASE W/NUT	1	JK301
...3	TE10200602	6P CONNECTOR SOCKET 90°	1	TE12
...3	VRR50301502	VARIABLE RESISTOR ROTARY 50KA*2 15MM	1	VR301
.1	TWPC09S00201	PCB ASS'Y (CONTROL)	1	
..2	PC09S002	PCB CONTROL)DOUBLE LAYER FR4 350*230MM)	1	
..2	TWPC09S002A01	PCB ASS'Y CONTROL	1	30
...3	SWEVQ11L05R	TACT SWITCH (5MM) ROUND TERMINAL	30	SW1~30
...3	AL2-51-4401	TRANS NPN 2N4401 40V 1A SOT-23	6	Q7~12
...3	AL2-51-4403	TRANSISTOR PNP 2N4403 40V 800MA SOT-23	6	Q1~6
...3	AL2-61-7223	IC REG VOLTAGE NJU7223DL1-33 3.3V TO-252	1	IC901
...3	AL2-72-0339	IC LM339 ANALOG COMP SOP-14	4	IC601~604
...3	CS101J5003COG	CHIP CAP 100PF/50V +/-5% 0603 (COG)	6	C106, 107, 305, 306, 311, 312
...3	CS102K5003X7R	CHIP CAP 1000PF/50V,X7R,+/-10%, SMD 0603	4	C303, 304, 309, 310
...3	CS103K5003X7R	C.CAP 0.010UF 50V X7R,±10% SMD 0603	4	C301, 302, 307, 308
...3	CS104K5003X7R	CHIP CAP 0.1UF/50V,X7R,+/-10%, SMD 0603	38	C1, 100~103, 108, 112~124, 130, 145, C600~609, 801~805, 902, 903
...3	CS200J5003COG	C.CAP 20PF 50V COG 0603 5%	2	C104, 105
...3	DI1SS302SM	DIODE 1SS302 SC-70	2	D803, 804
...3	DI1SS352SM	DIODE 1SS352 HE1A	2	D801, 802
...3	DIEN1N4148WSM	DIODE FAST SWICTHING 1N4848W SOD-123	35	D1~30, 101, 600~603
...3	FCN2R1001801	FFC connector dual side conn 90° 1.0mm 18P	1	FCN1
...3	IC4051BFN	IC (TC4051BFN)	2	IC101, 102
...3	IC74AHC1G125GW	IC 74AHC1G125G SOT353	1	IC103
...3	IC74HCT04D	IC 74HCT04D SO14	1	IC1
...3	ICBA4558F	IC (4558) SMD	1	IC600
...3	ICLM358M	IC LM358M DUAL OPA SOP-8	1	IC801
...3	ICTC7W14F	IC	2	IC301, 302
...3	ICYH98S01	IC WITH PROGRAME	1	IC100
....4	ICPIC18F66J10	IC (PIC18F66J10-1/PT)	1	
...3	RS043K10J03	CHIP RES. 43K OHM,1/10W,±5%,0603	2	R601, 602
...3	RS10118F03	CHIP RES. 100 OHM, 1/8W, ±1%, 0603	4	R625, 626, 807, 808
...3	RS10218F03	CHIP RES. 1K OHM,1/8W,±1%,0603	17	R101, 115~126, 605, 606, 619, 620
...3	RS10318J03	CHIP RES. 10K OHM,1/8W,+/-5%,0603	10	R102, 110~114, 307, 308, 315, 316
...3	RS10418J03	CHIP RES. 100K OHM,1/8W,+/-5%,0603	2	R603, 604

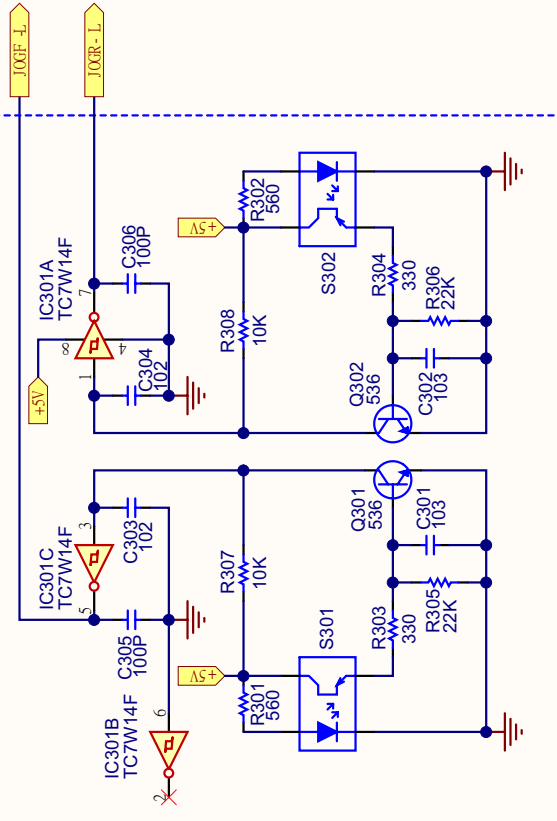
Lvl	Materials	SPECS	Qty	Part Location
...3	RS10518F03	RESISTOR 1M 1% SMD 0603 -ROHS	5	R100, 803~806
...3	RS15118J03	CHIP RES. 150 OHM,1/8W,±5%,0603	38	R1~5, 8~19, 22~27, 29~32, 34, 35, 600, R61, 62, 71, 72, 201, 202, 211, R212
...3	RS15218F03	CHIP RES. 1.50K OHM,1/8W,±1%,0603	2	R801, 802
...3	RS18218J03	CHIP RES. 1.8K OHM,1/8W,±5%,0603	2	R621, 622
...3	RS22318J03	CHIP RES. 22K OHM,1/8W,+/-5%,0603	4	R305, 306, 313, 314
...3	RS33118J03	CHIP RES. 330 OHM,1/8W,+/-5%,0603	8	R28, 33, 303, 304, 311, 312, 628, 629
...3	RS39118J03	CHIP RES. 390 OHM,1/8W,±5%,0603	2	R609, 610
...3	RS51118J03	CHIP RES. 510 OHM,1/8W,+/-5%,0603	2	R613, 614
...3	RS56118J03	CHIP RES. 560 OHM,1/8W,±5%,0603	6	R301, 302, 309, 310, 611, 612
...3	RS62118J03	CHP RESISTOR 620 OHM 5%, 1/8W SMD 0603	2	R615, 616
...3	RS68018J03	CHIP RES. 68 OHM,1/8W,+/-5%,0603	2	R623, 624
...3	RS68118J03	CHIP RES. 680 OHM,1/8W,±5%,0603	2	R607, 608
...3	RS68318J03	Chip Res. 68K OHM 5% 1/8W, SMD 0603	1	R627
...3	RS82118J03	CHIP RES. 820 OHM,1/8W,±5%,0603	2	R617, 618
...3	TR2SC2412KSM	TRANSISTOR 536 SMD	4	Q301~304
...3	TRBC857B	TRANSISTOR BC857B	5	Q600~604
...3	XTM10000X6	CRYSTAL 10MHZ - 49US SMD	1	X100
...3	BALE48201-5A	PLASTIC BOSS (LED) 1.5MM	30	(LD1~5, 8~19, 22~24, 35, 600) (LD61, 62, 71, 72) (LD201, 202, 211, 212)
...3	CN0420001003	4P CONNECTOR WIRE 2.0 100MM	2	CN1, 2
...3	DIRPI-352	DIODE	4	S301~304
...3	EC10550TS	E. CAPACITOR 1UF/50V(7MM)	2	EC601, 602
...3	EC10625TLE	E.CAP LOW ESR 10UF/25V 5*11M	1	EC100
...3	EC47525TS	E.CAPACITOR 4.7UF/25V (7MM)	1	EC904
...3	EC47616TS	E. CAP (SMALL) 47UF/16V	1	EC901
...3	LD-005HLV	LED RED	10	LD3, 71, 72, 10, 12, 18, 201, 202, 22, LD35
...3	LD-005K6CS	LED BLUE	12	LD1, 4, 61, 62, 8, 9, 14, 16, 17, 211, LD212, 24
...3	LD-305SYV	LED (AMBER)	3	LD11, 13, 15
...3	LD-511E4YG	LED (YELLOW/GREEN)	4	LD2, 5, 19, 23
...3	LDIFR324HD	LED 3MM (RED)	1	LD600
...3	TE622000302	3P CONNECTOR SOCKET	2	TE4, 5
...3	TE812000411	4P HEADER SIL 2MM MALE SHRD	2	(CN1, 2)
...3	TWLD5R1O1G301	LED BAR 5PCS ROUND HEAD LED	2	LDB1, 2
...4	LD3G4HDA	LED YELLOW/GREEN f3 ROUND HEAD DIP	3	
...4	LD3O4HWA	LED ORANGE DIFUSE ROUND HEAD DIP	1	
...4	LDIFR324HD	LED 3MM (RED)	1	
...4	PT5104405	LED PLASTIC FIX	1	
...3	TWLD7R2O1G4X201	LED BAR 7 SQUARE TYPE HORIZONTAL 2X	1	LDB601
...4	LD2G74HDN	LED YELLOW/GREEN 7*4.95MM FLAT HEAD DIP	8	
...4	LD2O74HWN	LED ORANGE DIFUSE FLAT HEAD DIP	2	
...4	LD2R74HDN	LED RED 7*4.95MM FLAT HEAD DIP	4	
...4	PT5104404	LED PLASTIC FIX 2X	1	
...3	VRR10301508	V.RESISTOR 10KB 22.5MM (DUAL UNIT)	1	VR600
...3	VRR50301503	VARIABLE RESISTOR 50K 2B 22.5MM WITH CENTER BAR	1	VR7
...3	VRR50301504	VARIABLE RESISTOR 50K 2B 22.5MM SINGLE	1	VR6
...3	VRS10303006	V.RESISTOR 10K 15MM	2	VR1, 8
...3	VRS10303007	V.RESISTOR SLIDE TYPE 10KB 30MM 15MM	6	VR2~4, 9~11
...3	VRS10304517	V.RESISTOR SLIDE TYPE 10KB 45MM 15MM	2	VR2~4, 9~11
..2	TWPC09S002B01	PCB ASS'Y C.FADER	1	33
...3	CS104K5003X7R	CHIP CAP 0.1UF/50V,X7R,+/-10%, SMD 0603	1	C109
...3	TE622000401	CONNECTOR (4P 90 DEGREE)	1	TE1
...3	VRS10304516	V.RESISTOR 10K 45MM 15MM	1	VR100
..2	TWPC09S002C01	PCB ASS'Y L.FADER	1	32
...3	CS104K5003X7R	CHIP CAP 0.1UF/50V,X7R,+/-10%, SMD 0603	2	C110, 111
...3	TE622000401	CONNECTOR (4P 90 DEGREE)	1	TE1
...3	VRS10306014	V.RESISTOR 10K 60MM 15MM	2	VR101, 102
.1	BABD-3	CAPACITOR GOOSE MICROPHONE STEREO WITH ADAPTOR JAC	1	

Lvl	Materials	SPECS	Qty	Part Location
.1	CA040218002	USB CABLE (BLACK) + CORE	1	
.1	CGSNC02313SNL01	INNER CARTON	1	
.1	CTSNC02513SNL02	OUTER CARTON (SNC02)	1	
.1	GE39TMV01	GUARANTEE CARD	1	
.1	GE39TMV02	CUSTOMER INSTRUCTION CARD	1	
.1	GE39TMV03	ENVELOPE (BIG)	1	
.1	GE39TMV04	ENVELOPE (SMALL)	1	
.1	JKTELE8716N	STEREO ADAPTOR 6.3MM PLUG TO 3.55MM JACK	1	
.1	LAC22SNL01	LABEL SERIAL NO. (1SET X 5PCS)	1	
.1	LAC52SNL02	LABEL (SAFETY)	1	
.1	LAC62SNL03	LABEL SERIAL (SOFTWARE)	1	
.1	LAC62SNL07	LABEL BARCODE (INNER CARTON)	1	
.1	LAC62SNL08	LABEL BARCODE (MASTER CARTON) 1SET=2PCS	1	
.1	OPSNC02SNL01	INSTRUCTION MANUAL	1	
.1	OPSNC02SNL02	INSTALLATION GUIDE	1	
.1	PE060930BO	POLYBAG (0.0005 KG/PCS)-1900 PCS/KG	0.001	
.1	PLSNC0203	POLY FOAM (LEFT)	1	
.1	PLSNC0204	POLY FOAM (RIGHT)	1	
.1	SD35055000RJP	LAMIN BAG	1	
.1	TSDJAY01	DJAY SOFTWARE CD	1	
.1	MT5105501	METAL SHAFT	2	

Jog Wheel Sensor of Right Side



Jog Wheel Sensor of Left Side



Title: **SNC02 Jog Wheel Sensor**

Size: A4

Date: 2009.6.19

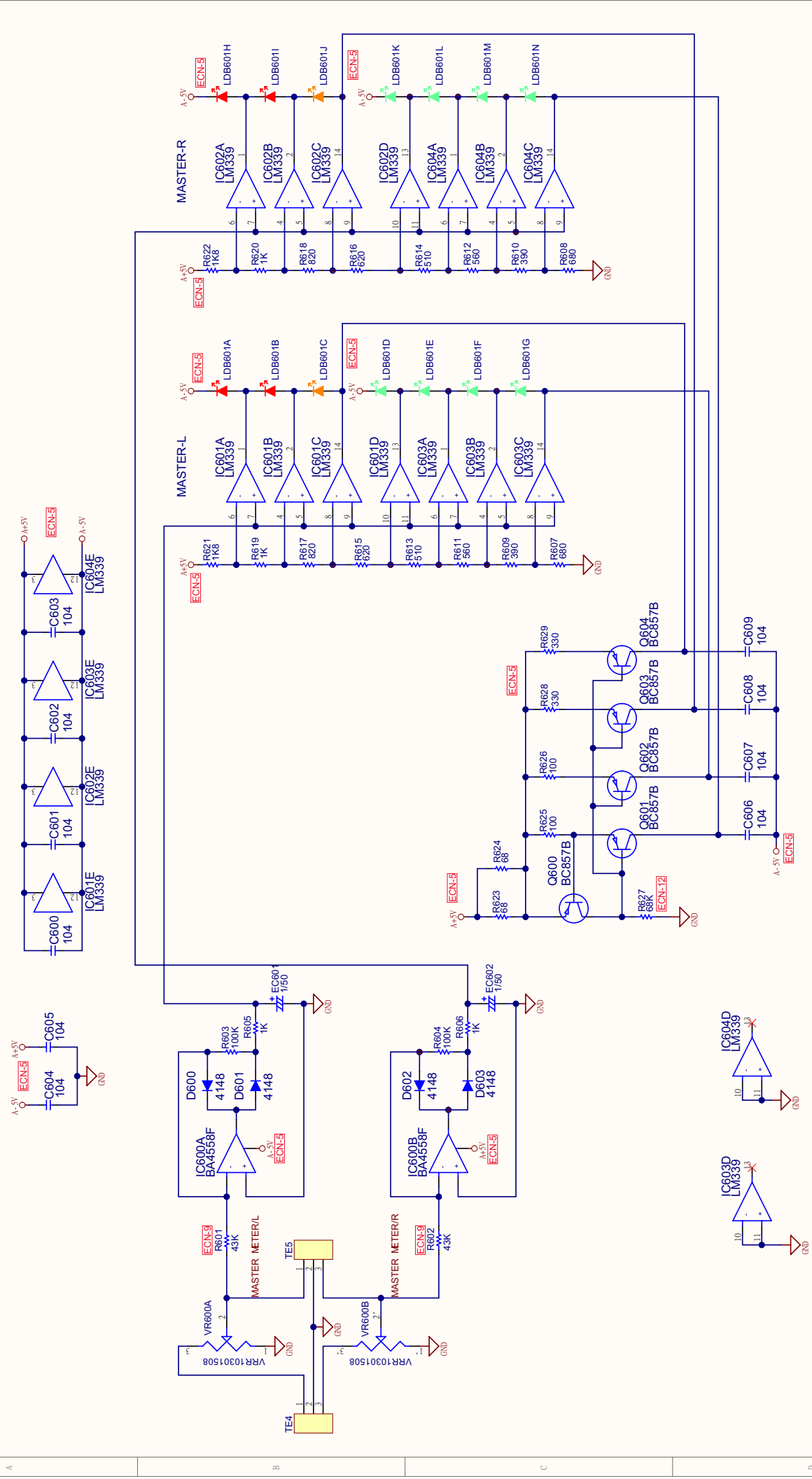
File name: Jog Wheel

Number: 5

Revision: 0

Design: JB

Approval	Check	Design	REV	DATE	Description



- ECON-12 設計變更 → 調整LED亮度: 增加電流電流電流量
- ECON-9 設計變更 → Level Meter LED亮度調整
- ECON-5 設計變更 → 對應降低功率DC to DC改為5V

Title: SNC02 Master Level Meter		Revision: 0
Size: A3	Number: 2009.7.07	Sheet: 4 of 5
Date: 2009.7.07	Design: 2009.7.07	Design: 2009.7.07
File Name: Level Meter	File Name: Level Meter	File Name: Level Meter

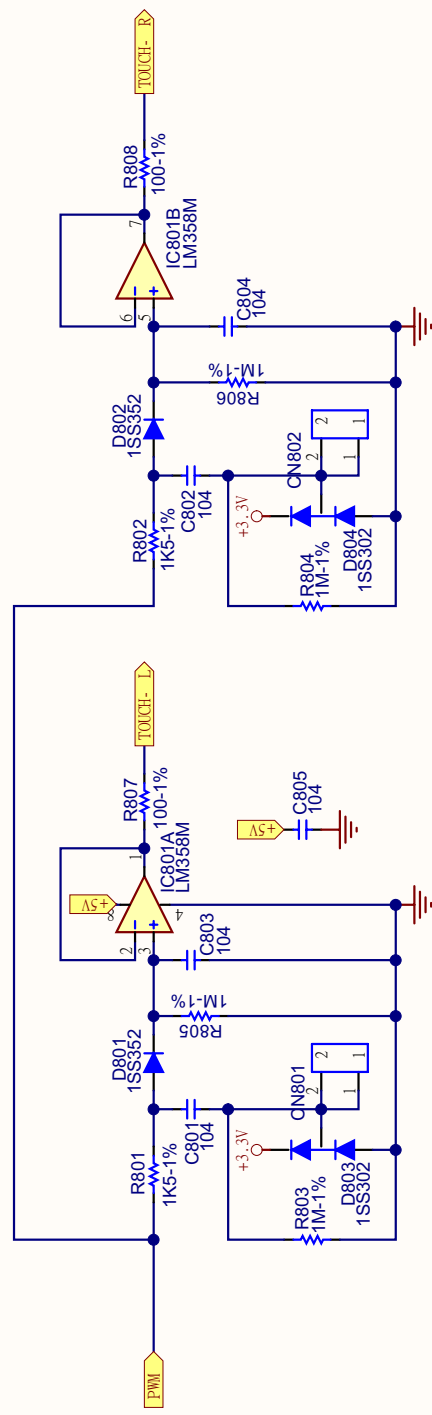
Approval	Check	Design	Description
A	09/07/07	設計變更	設計變更

A

B

C

D



Title: SNC02 Touch Sensor		Revision 0	
Size A4	Number Touch Sensor		Sheet 3 of 5
Date: 2009.6.19	File Name: Touch Sensor		Design: 5

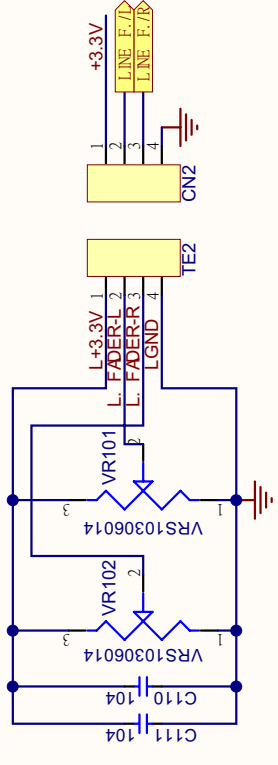
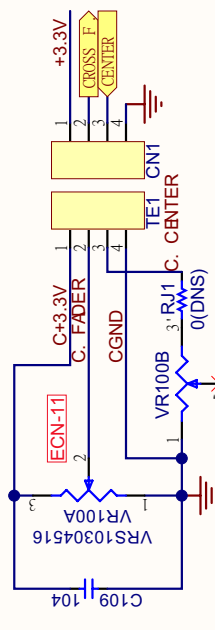
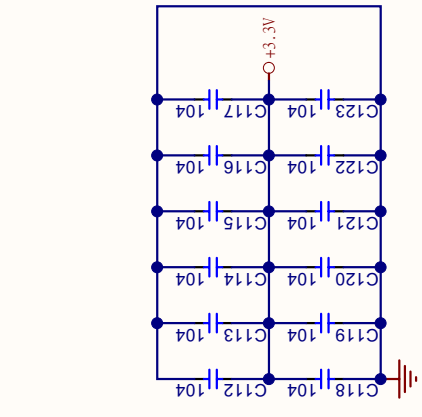
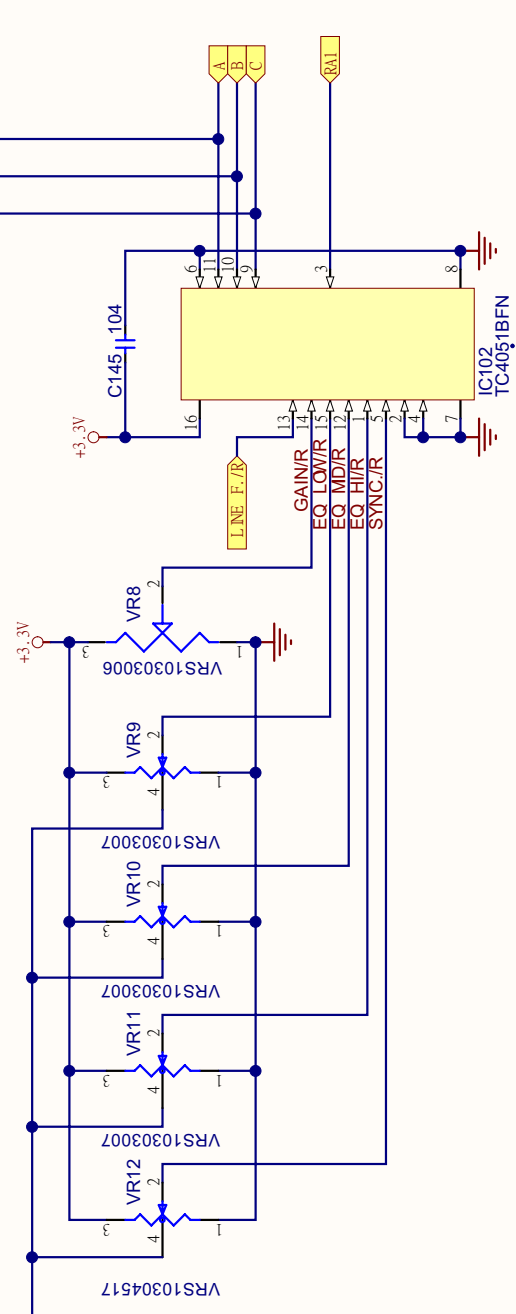
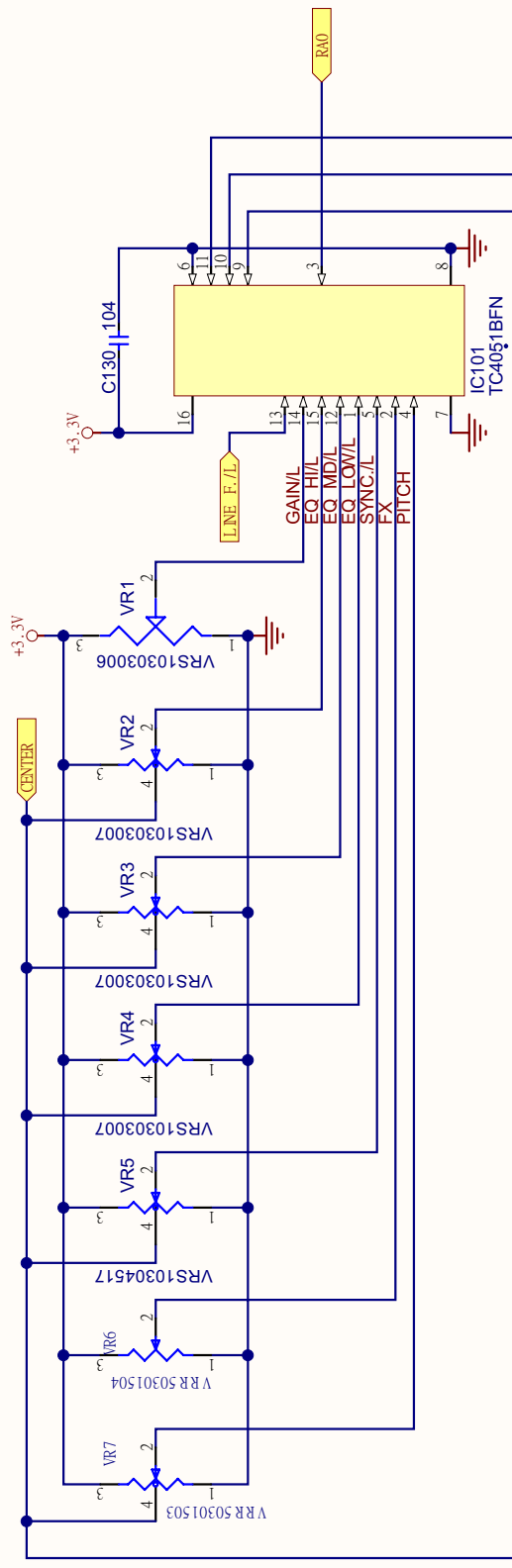
Approval	Check	Design	REV	DATE	Description

A

B

C

D

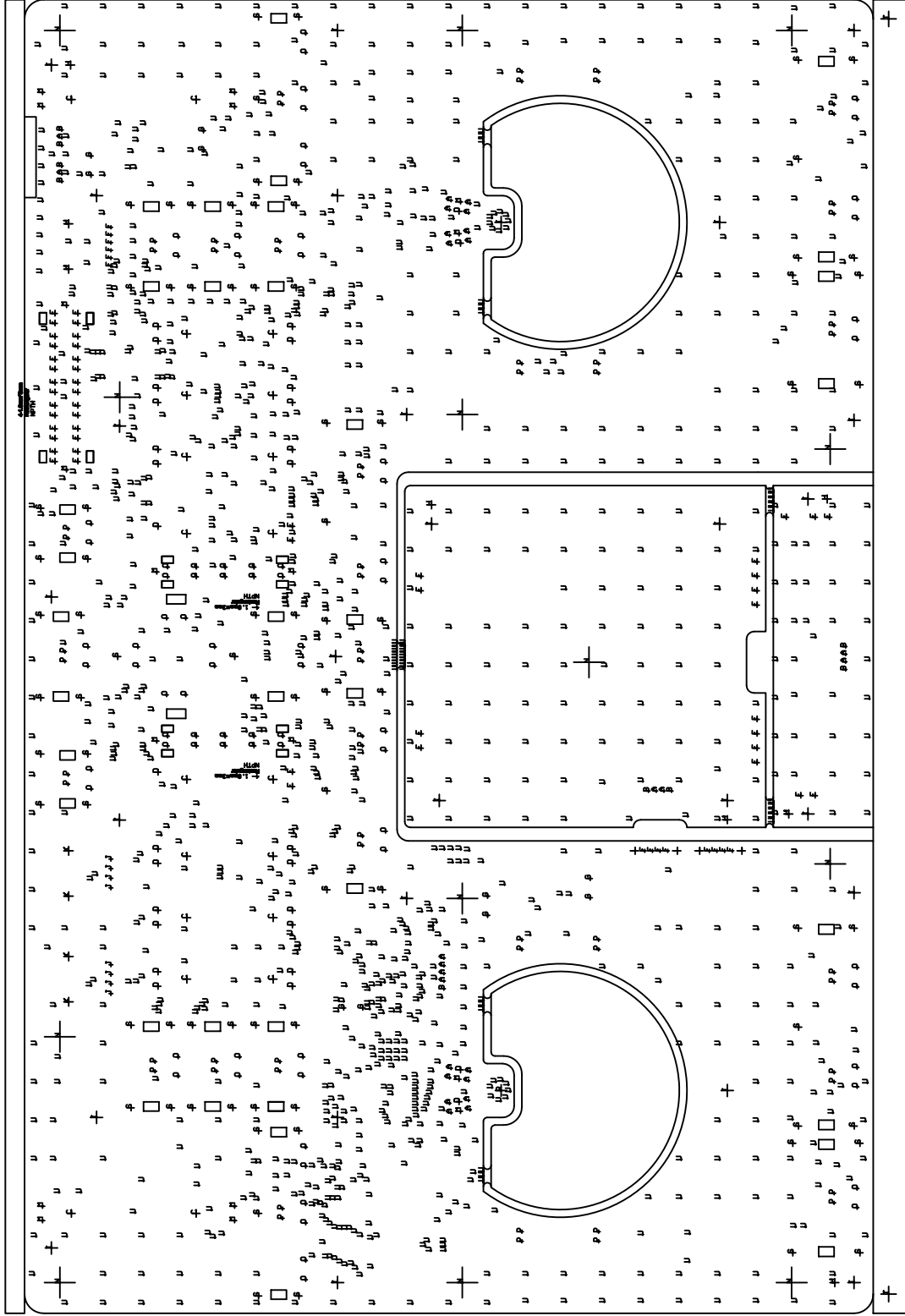


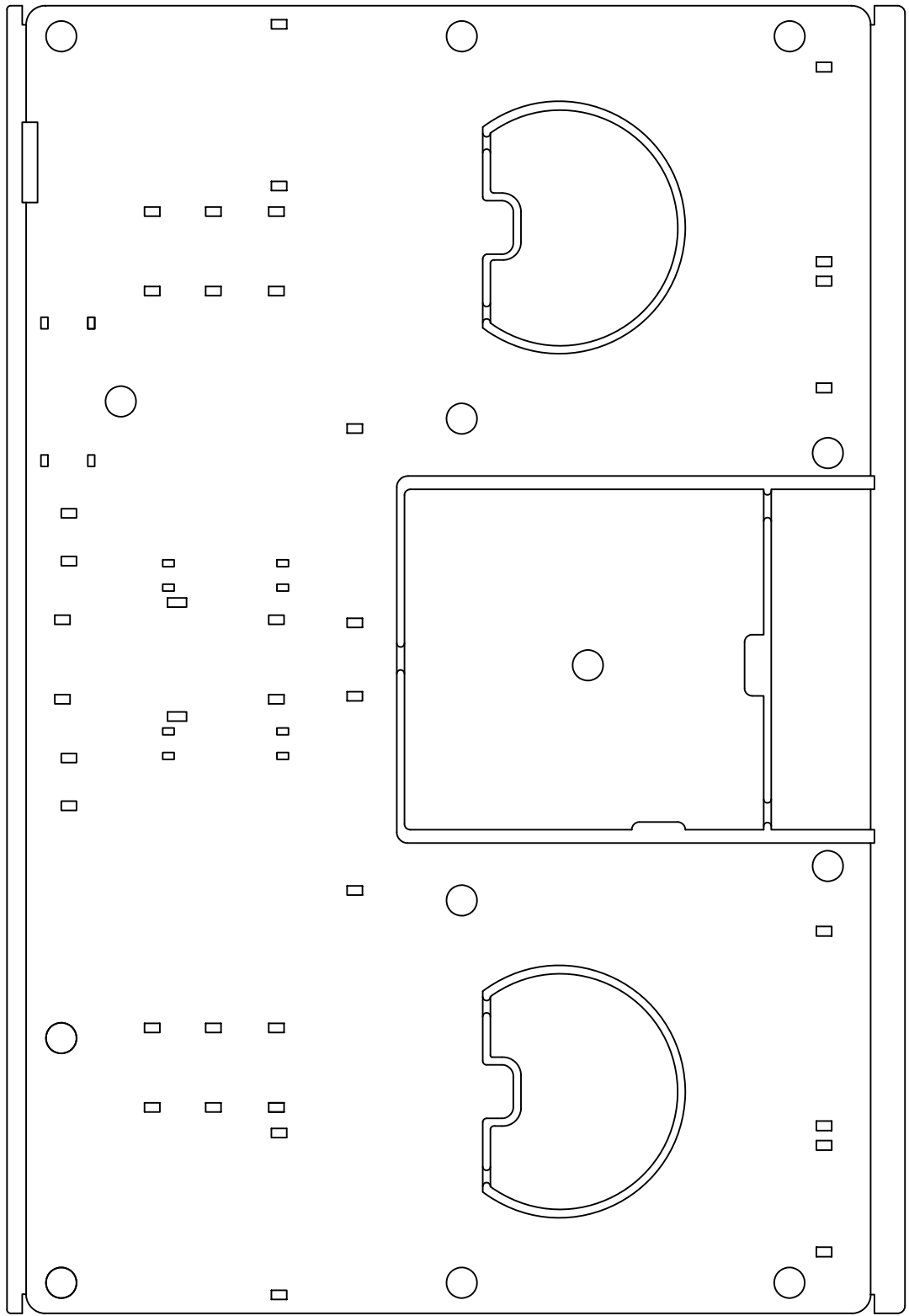
Title: SNC02 VR		Revision: 0
Size: A4	Num ber: VR	
Date: 2009.6.19	Sheet 2 of 5	
File name: VR	Design VR	

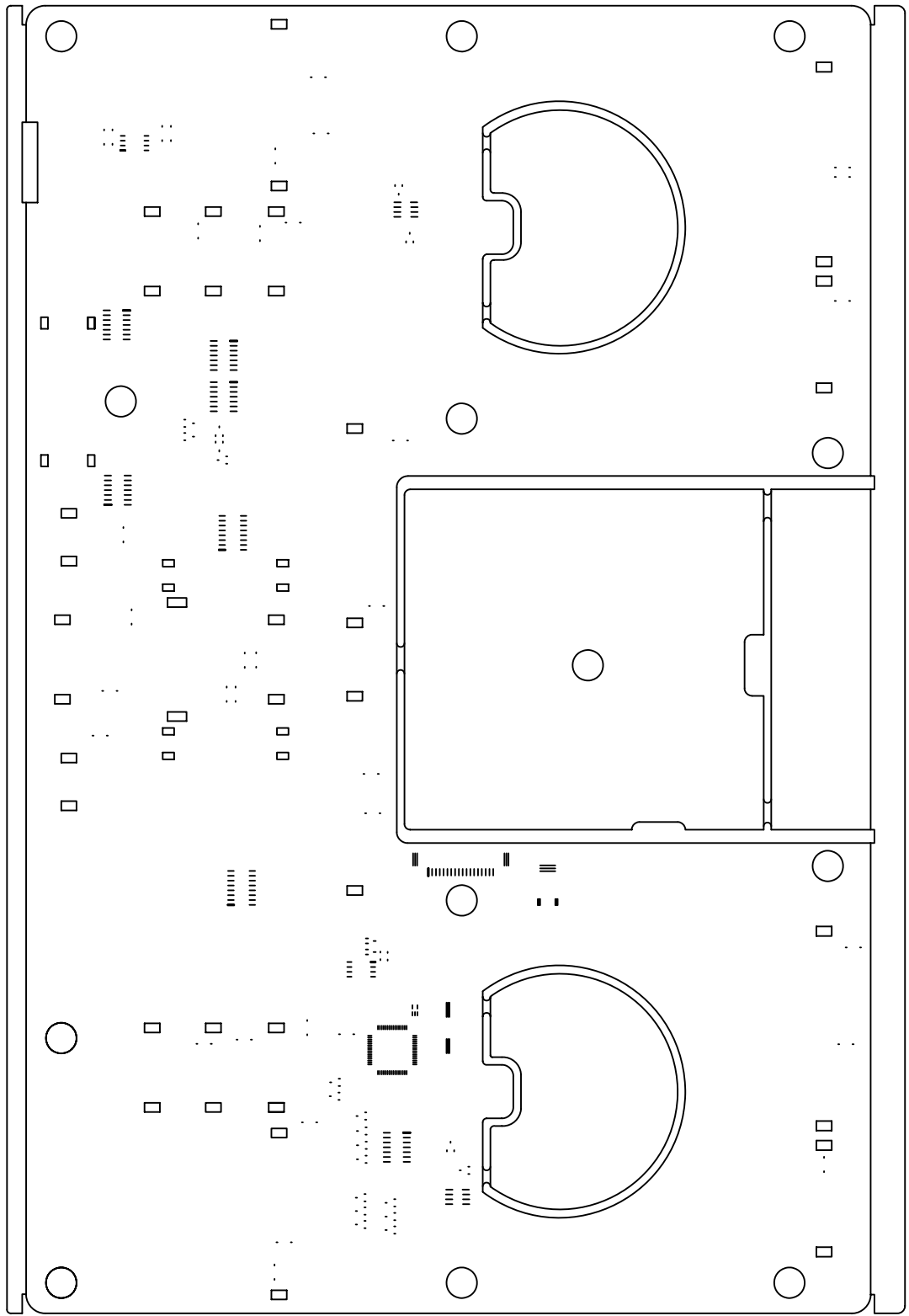
ECN-11 設計變更→改爲Forward/Alpha相容

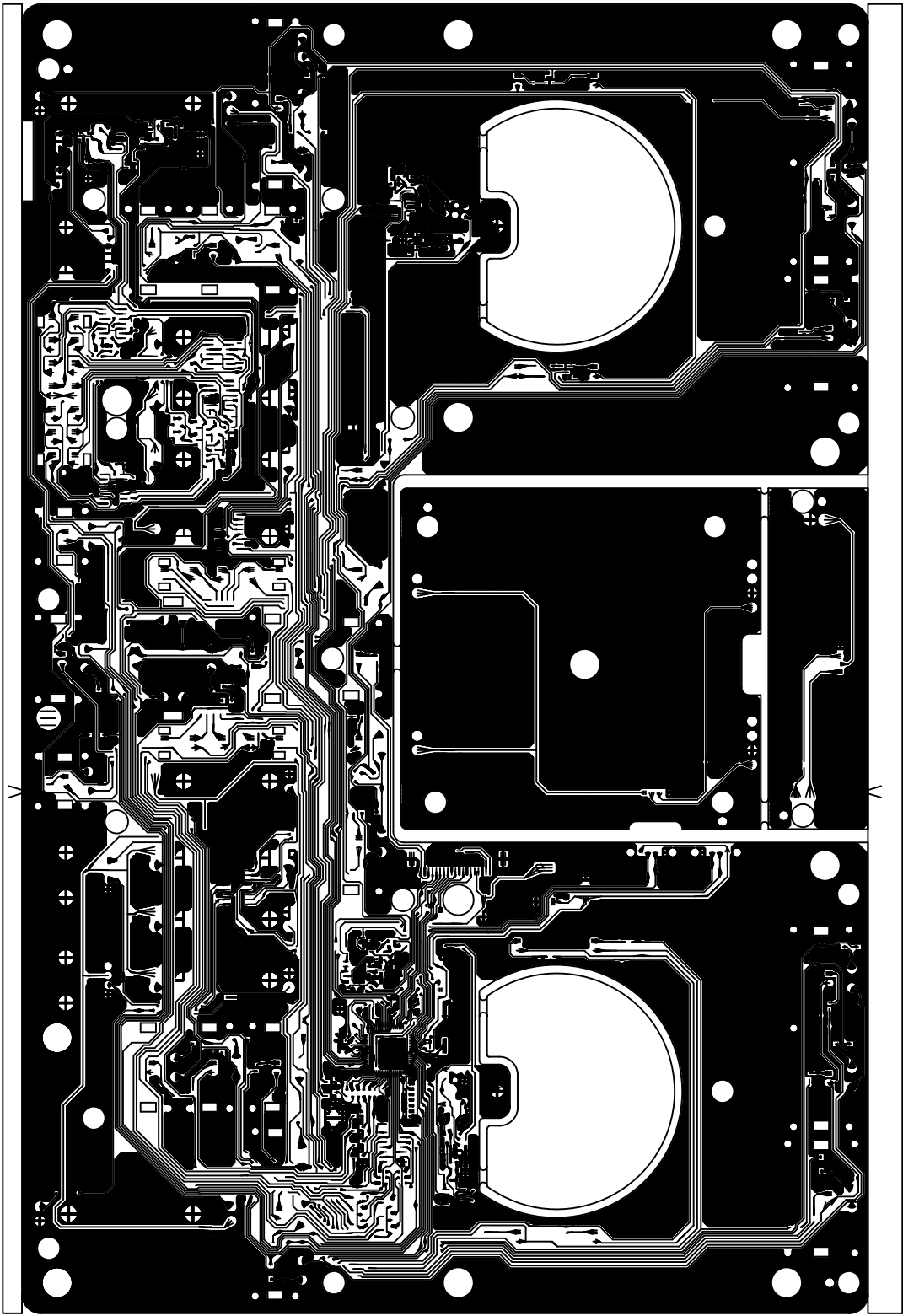
Approval	Check	Design	REV	DATE	Description
		A	09/07/27	設計變更	

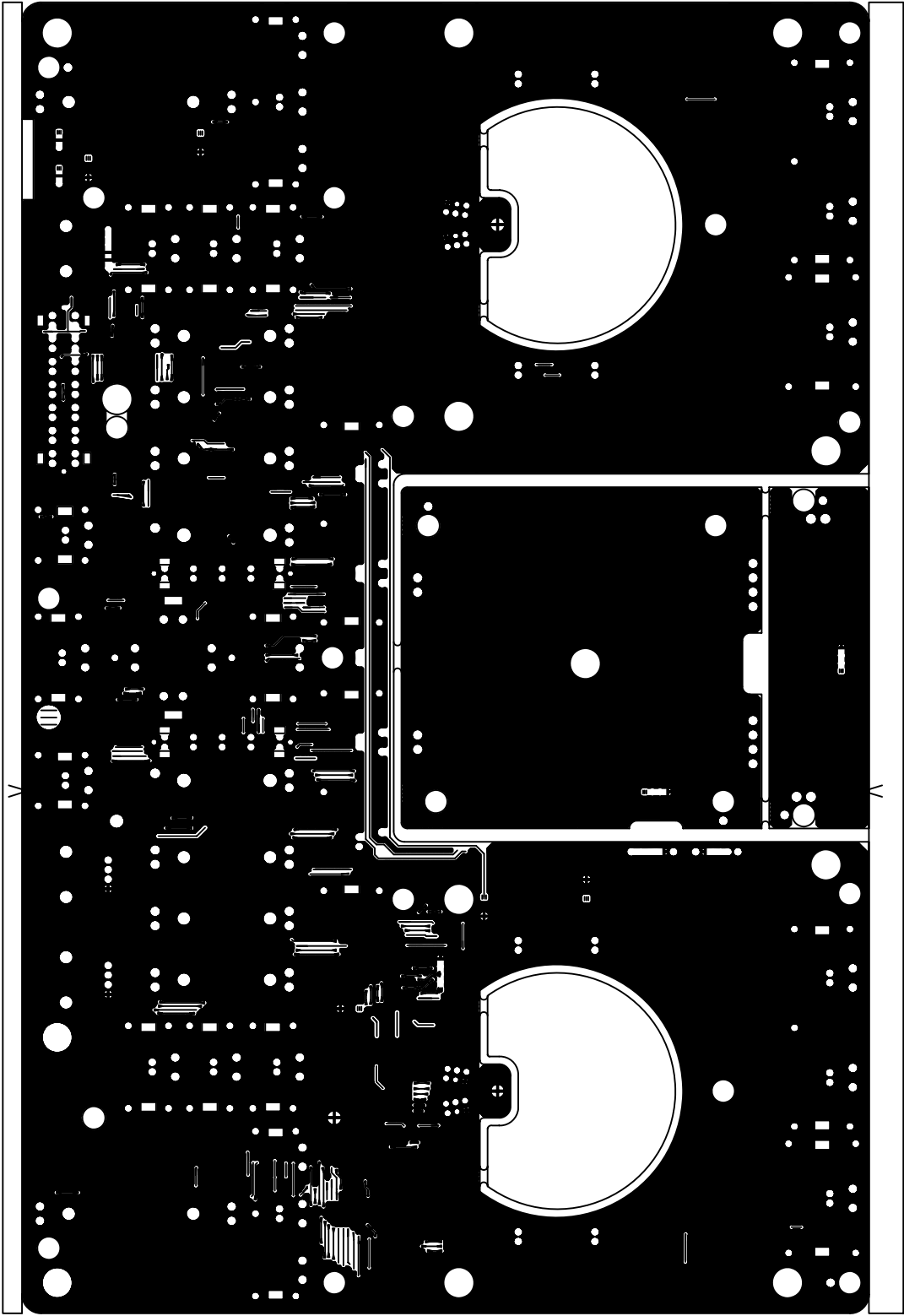
Symbol	Hit Count	Tool Size	Plated	Hole Type
U	1221	0.4mm (15.748mil)	PTH	Round
A	26	0.7mm (27.559mil)	PTH	Round
B	9	0.75mm (29.528mil)	NPTH	Round
F	14	0.8mm (31.496mil)	PTH	Round
P	60	0.8mm (31.496mil)	NPTH	Round
O	68	0.9mm (35.433mil)	NPTH	Round
J	8	1mm (39.37mil)	PTH	Round
Q	12	1mm (39.37mil)	NPTH	Round
M	18	1.1mm (43.307mil)	NPTH	Round
G	10	1.1mm (43.307mil)	PTH	Round
E	49	1.2mm (47.244mil)	NPTH	Round
D	30	1.5mm (59.055mil)	NPTH	Round
S	80	1.5mm (62.992mil)	NPTH	Round
L	4	1.8mm (70.866mil)	NPTH	Round
C	20	2mm (78.74mil)	NPTH	Round
H	8	2.1mm (82.677mil)	NPTH	Round
K	4	2.3mm (90.551mil)	NPTH	Round
R	1	3mm (118.11mil)	NPTH	Round
I	27	3.2mm (125.984mil)	NPTH	Round
T	2	4mm (157.48mil)	NPTH	Round
N	13	8mm (314.961mil)	NPTH	Round
1684 Total				

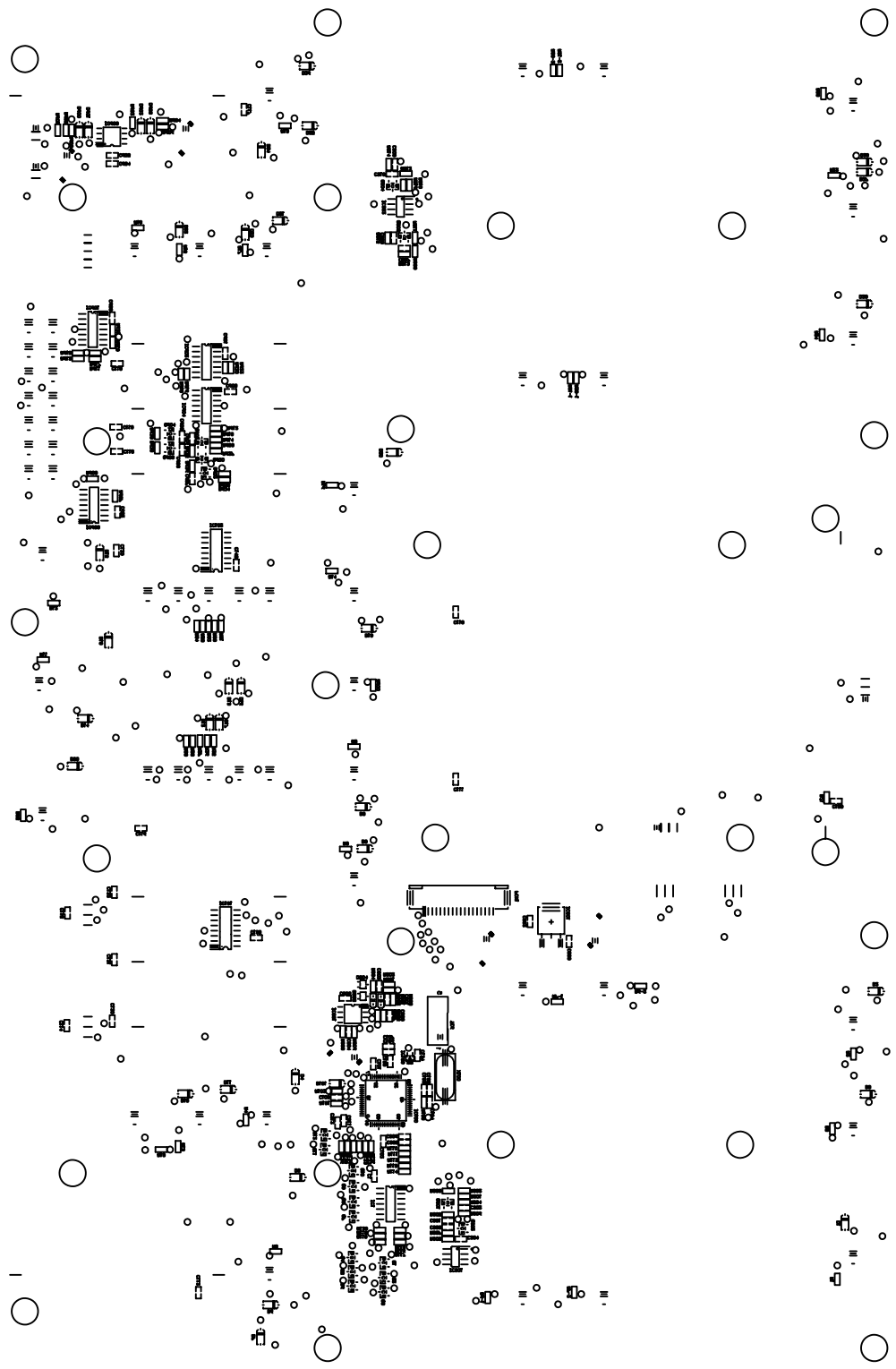


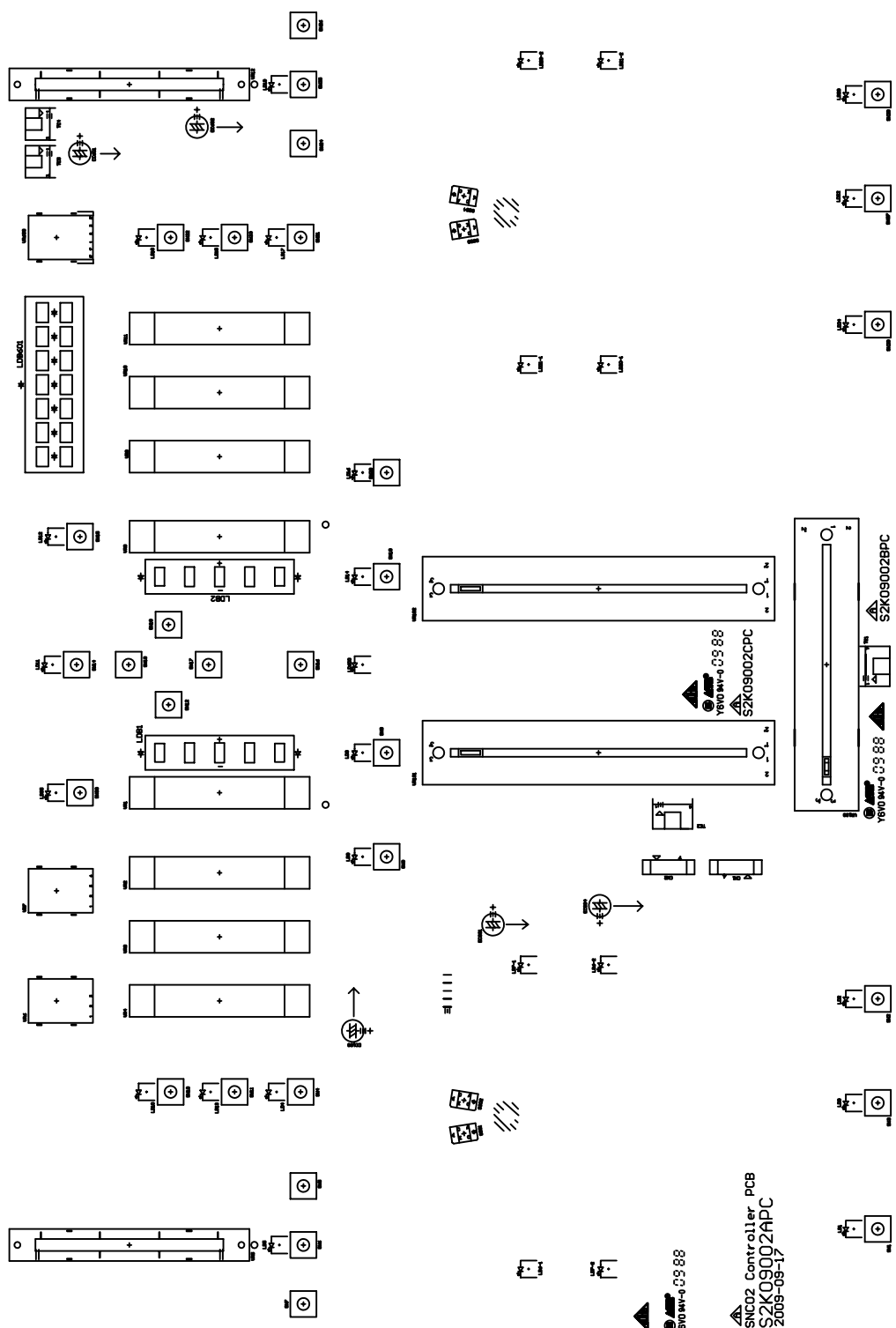










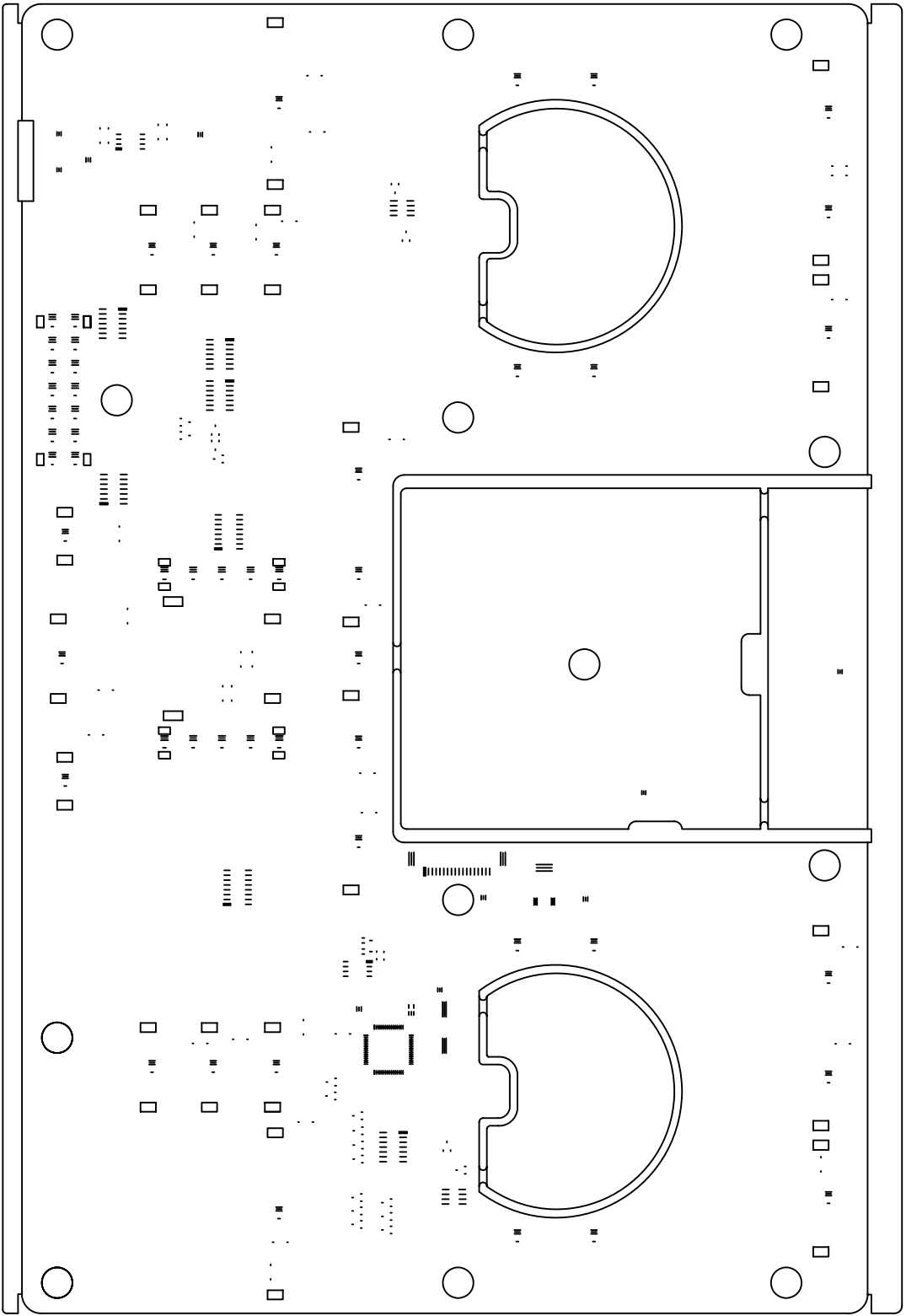


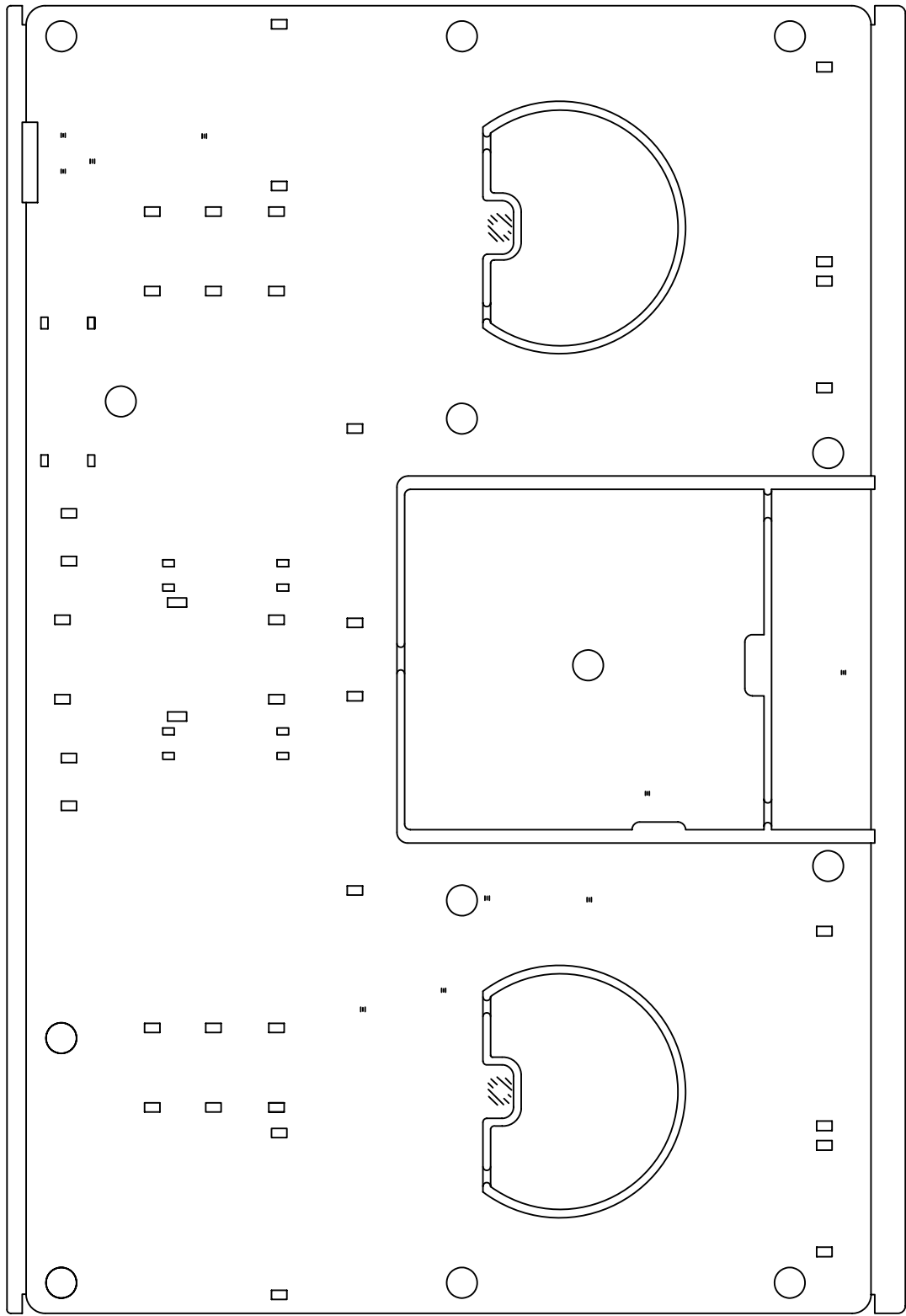
PC09S002

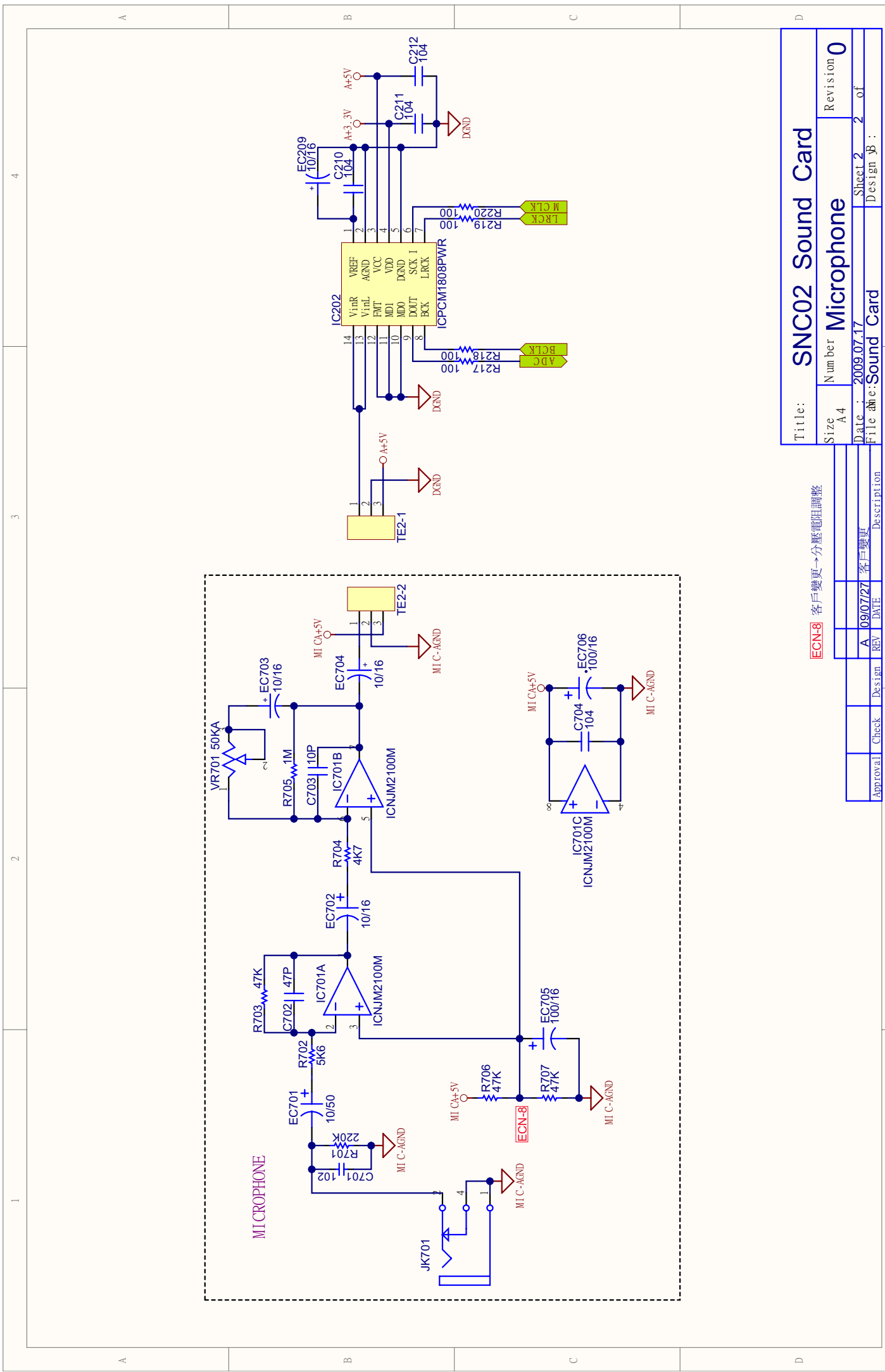
YH-1848-2-3

Y910 MY-0 03 88

S2K09002BPC
S2K09002CPC
Y910 MY-0 03 88





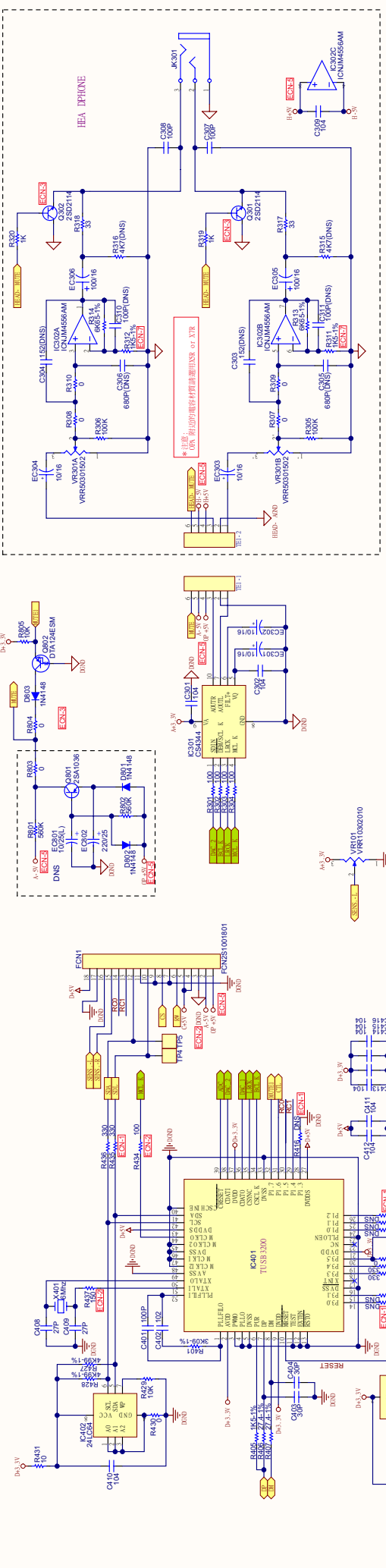


Title: SNC02 Sound Card		Revision: 0
Size: A4	Number: Microphone	Sheet: 2 of 2
Date: 2009.07.17	Design yb:	
File name: Sound Card		

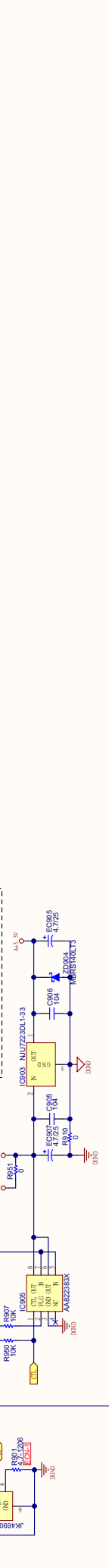
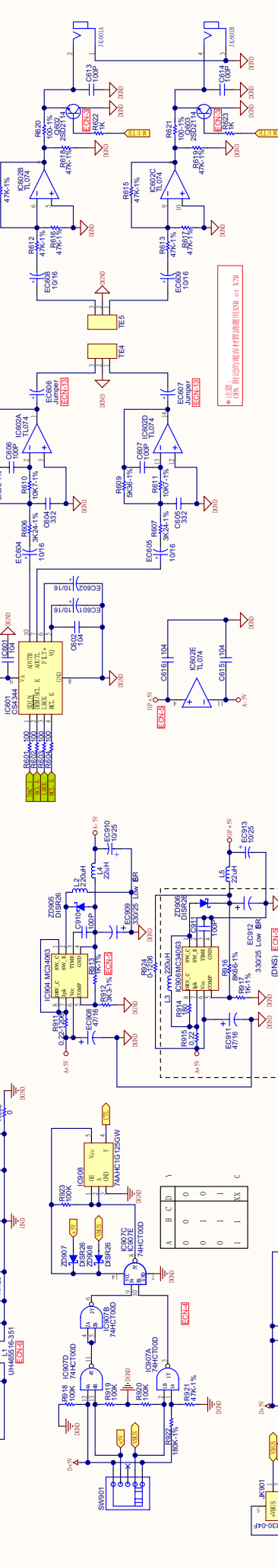
ECN-3 客戶變更→分壓電阻調整

Approval	Check	Design	REV	DATE	Description
			A	09/07/27	客戶變更

AUDIO MUTING CIRCUIT



MA STER OUTPUTS



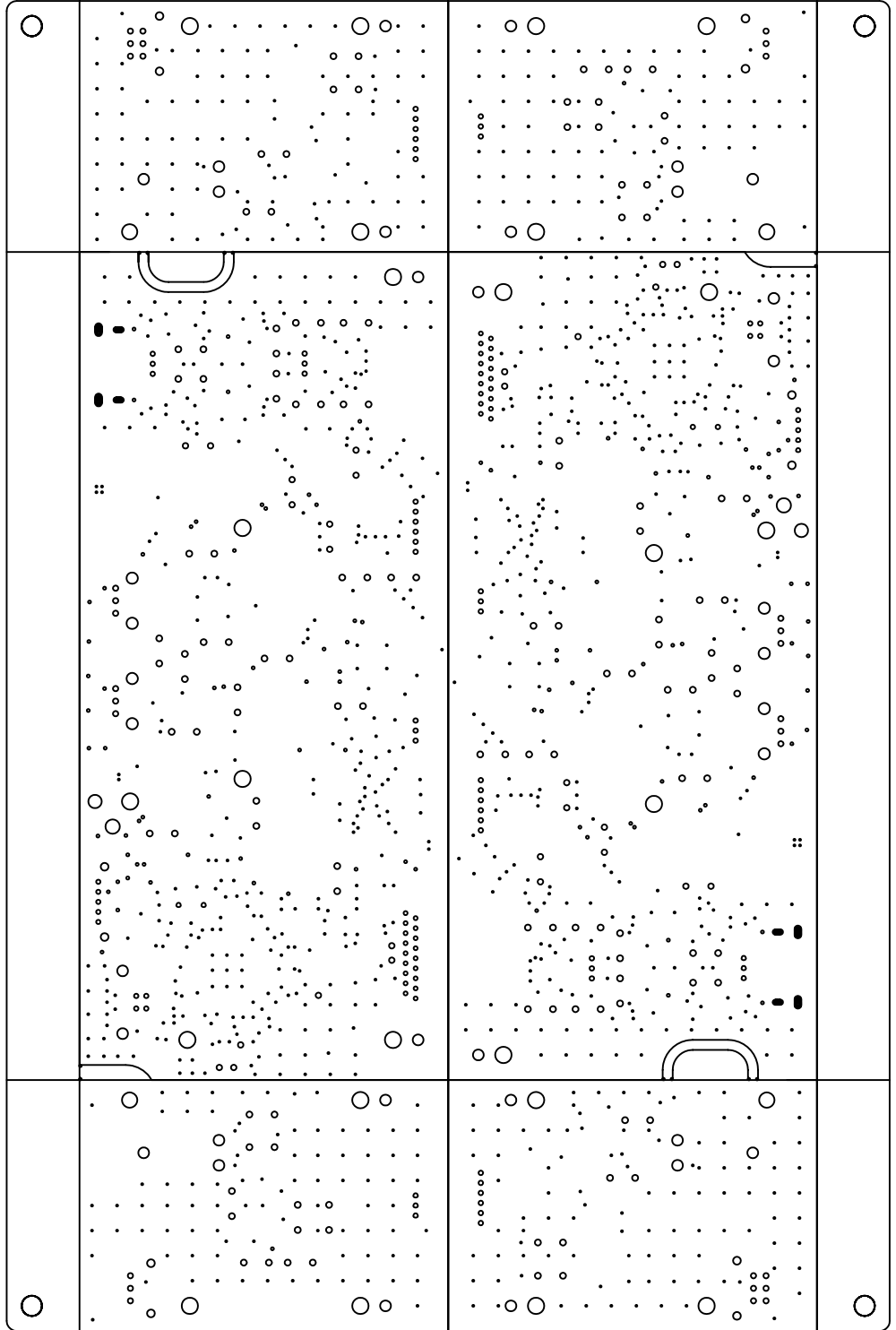
- ECN-3 設計變更 - 線路改善
- ECN-7 設計變更 - Headphone Gain調整
- ECN-8 設計變更 - 耳機輸出電壓
- ECN-9 設計變更 - 耳機輸出電壓
- ECN-10 設計變更 - USB Upgrade相關調整
- ECN-11 設計變更 - 40dB Gain調整
- ECN-12 設計變更 - 40dB Gain調整
- ECN-13 設計變更 - 50dB Gain調整

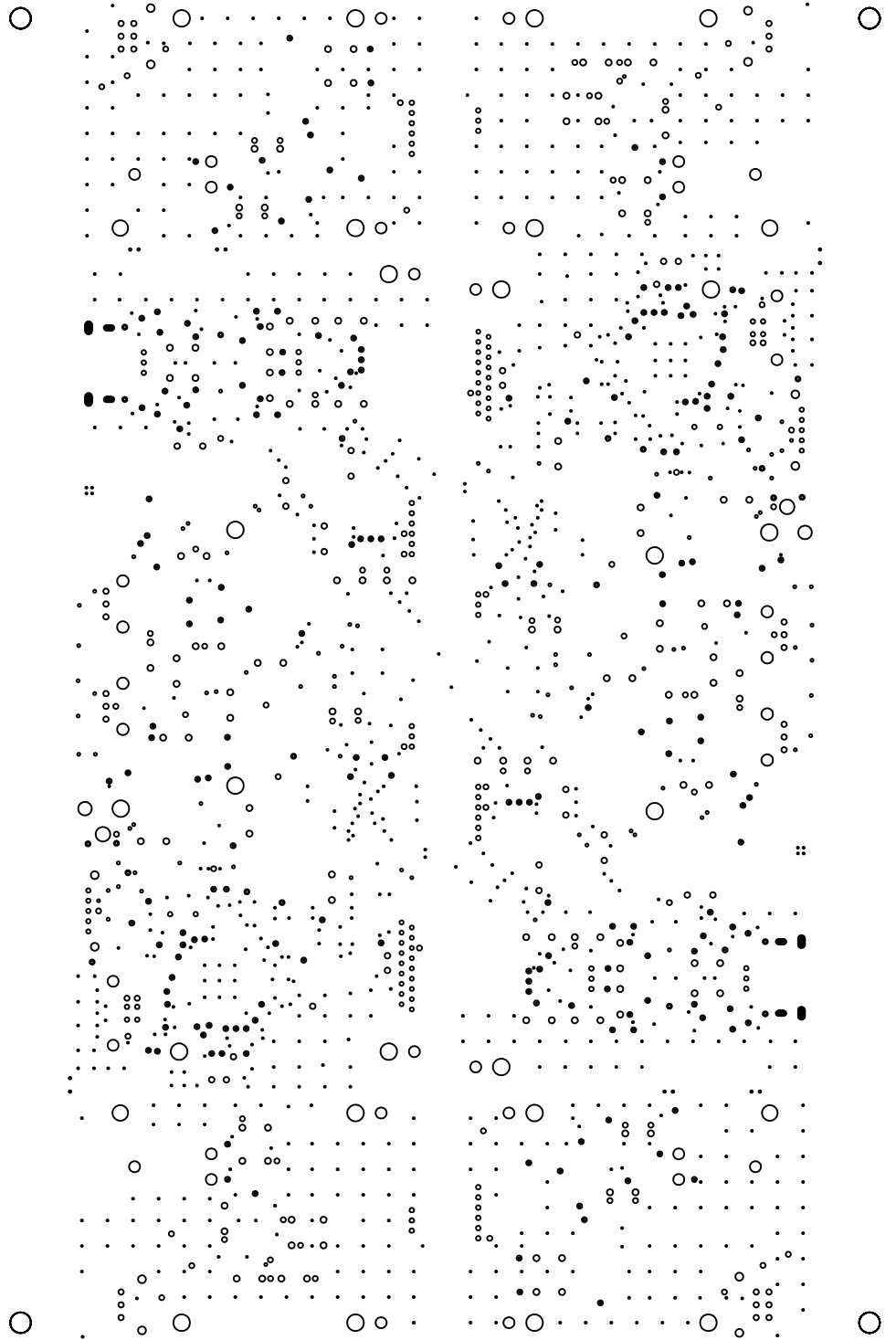
Title: SNCO2 Sound Card		Number: 2009747	Revision: 0
Author: [Name]	Check: [Name]	Date: 2009/11/17	Drawn by: [Name]
Approved: [Name]	Checked: [Name]	File Name: [Name]	Sheet No.: [Name]
of		of	

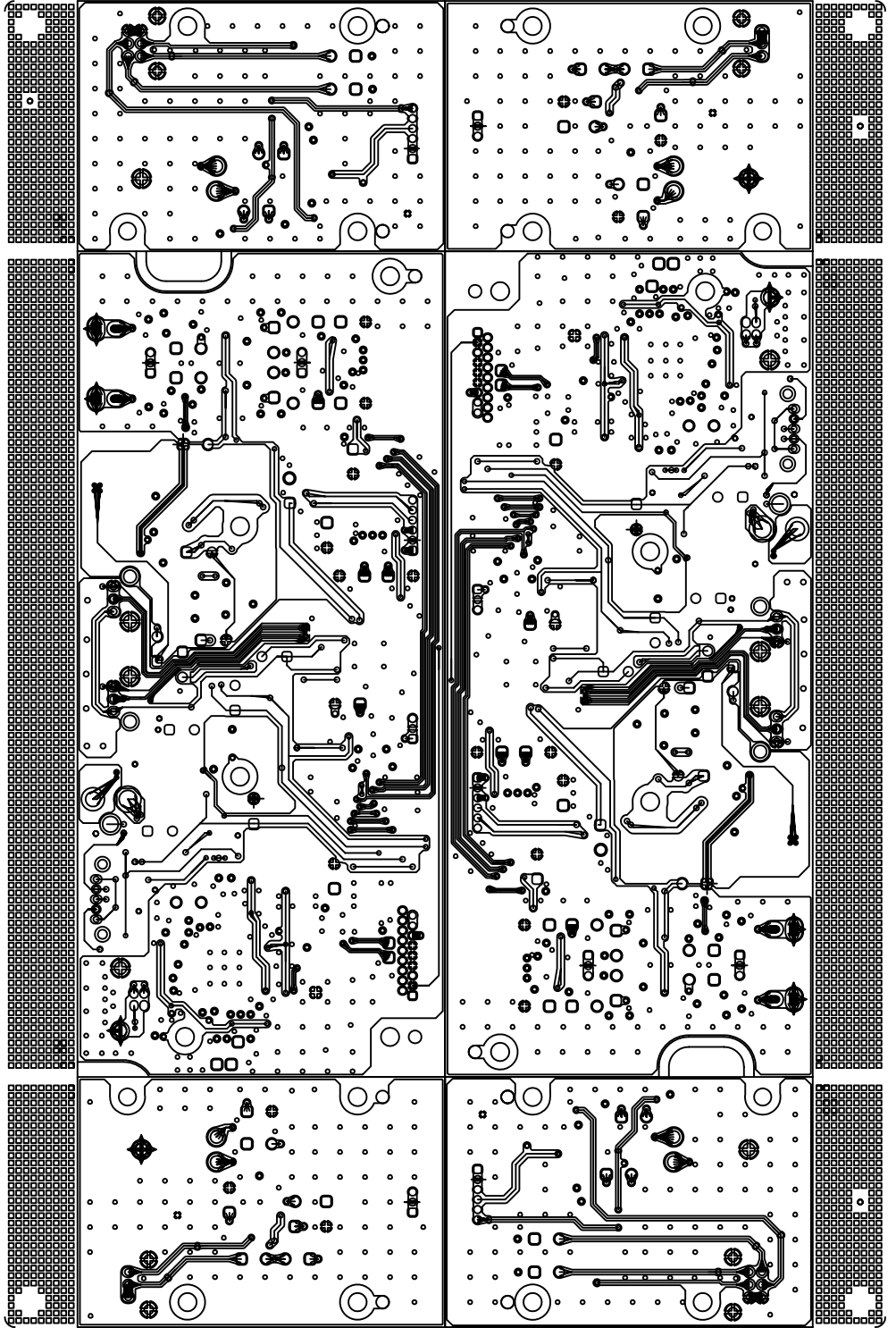
Symbol	Hit Count	Tool Size	Physical Length	Rout Path Length	Plated	Hole Type
Q	552	0.4mm (15.748mil)			PTH	Round
R	55	0.5mm (23.622mil)			PTH	Round
E	18	0.7mm (27.559mil)			PTH	Round
J	5	0.8mm (31.496mil)			NPTH	Round
C	30	0.8mm (31.496mil)			PTH	Round
H	15	1mm (39.37mil)			NPTH	Round
F	14	1mm (39.37mil)			PTH	Round
A	64	1.1mm (43.307mil)			PTH	Round
I	6	1.5mm (59.085mil)			NPTH	Round
B	14	2.1mm (82.677mil)			NPTH	Round
M	4	2.2mm (86.614mil)			NPTH	Round
P	1	2.5mm (102.362mil)			NPTH	Round
O	1	2.8mm (110.236mil)			NPTH	Round
N	2	3mm (118.11mil)			NPTH	Round
L	12	3.2mm (125.984mil)			NPTH	Round
K	4	4mm (157.48mil)			NPTH	Round
G	2	1mm (39.37mil)	2mm (78.74mil)	1mm (39.37mil)	NPTH	Slot
D	2	1.3mm (51.181mil)	2.5mm (98.425mil)	1.2mm (47.244mil)	NPTH	Slot
	801	Total				

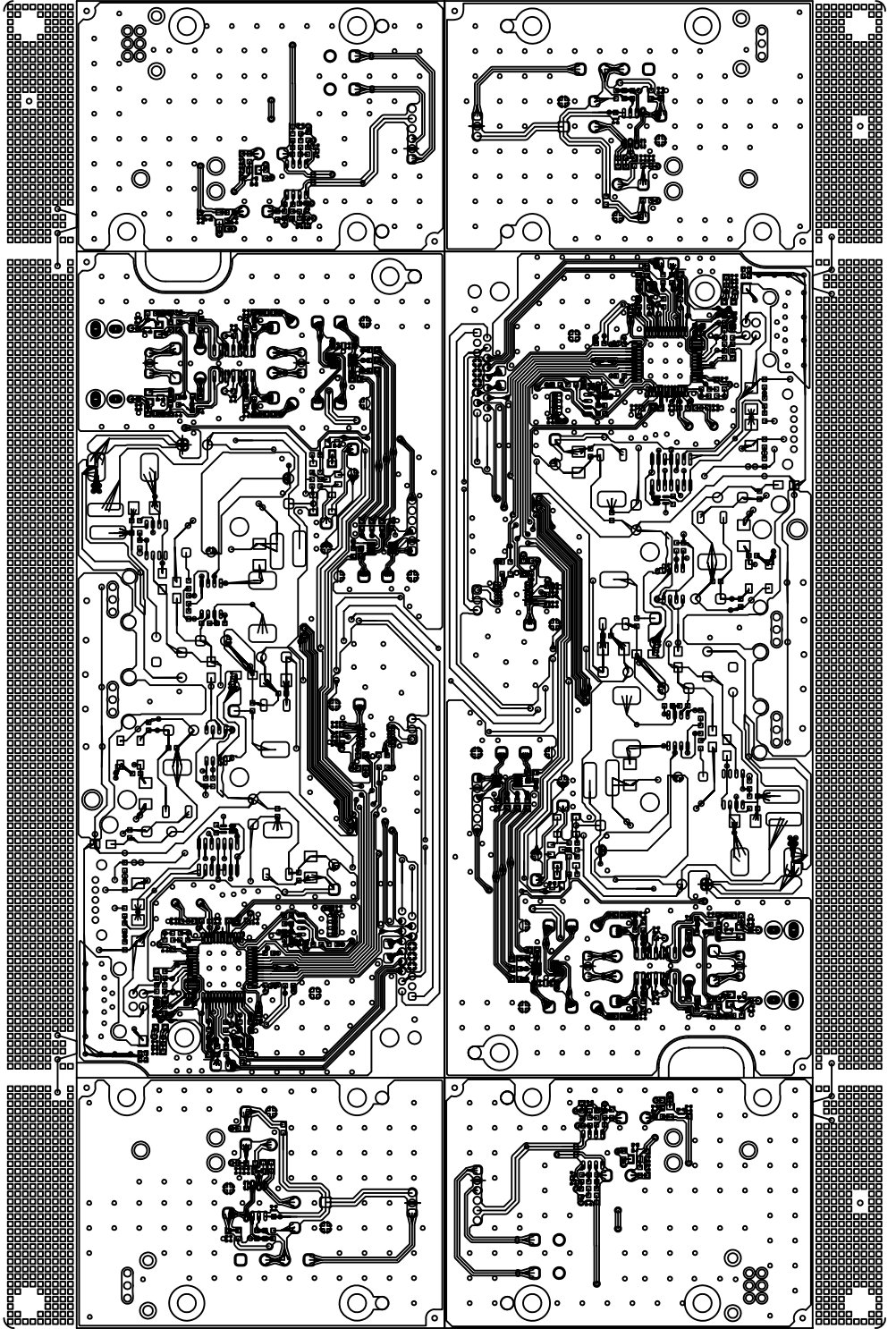
Slot definitions : Rout Path Length = Calculated from tool start centre position to tool end centre position.
Physical Length = Rout Path Length + Tool Size = Slot length as defined in the PCB layout

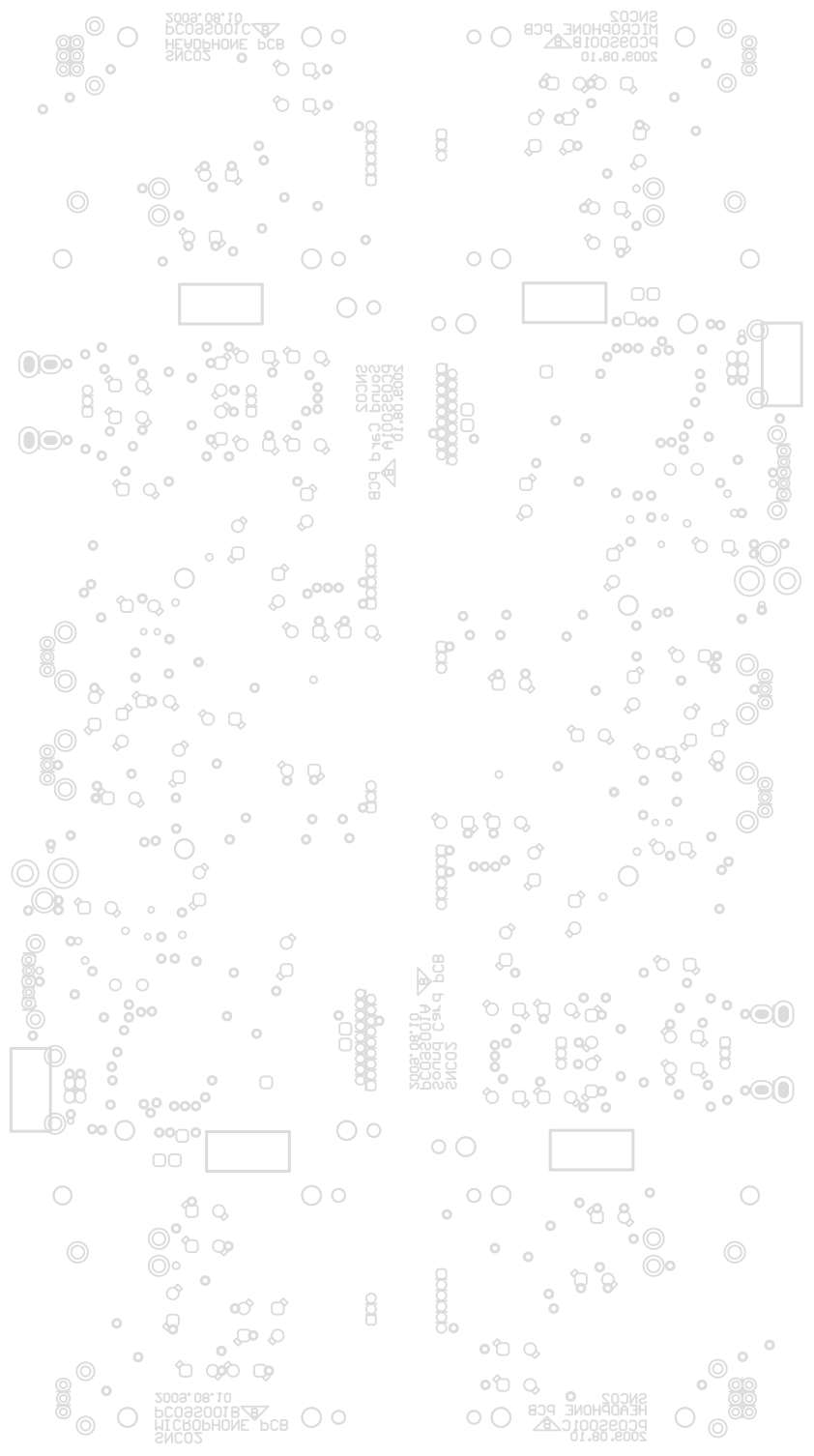


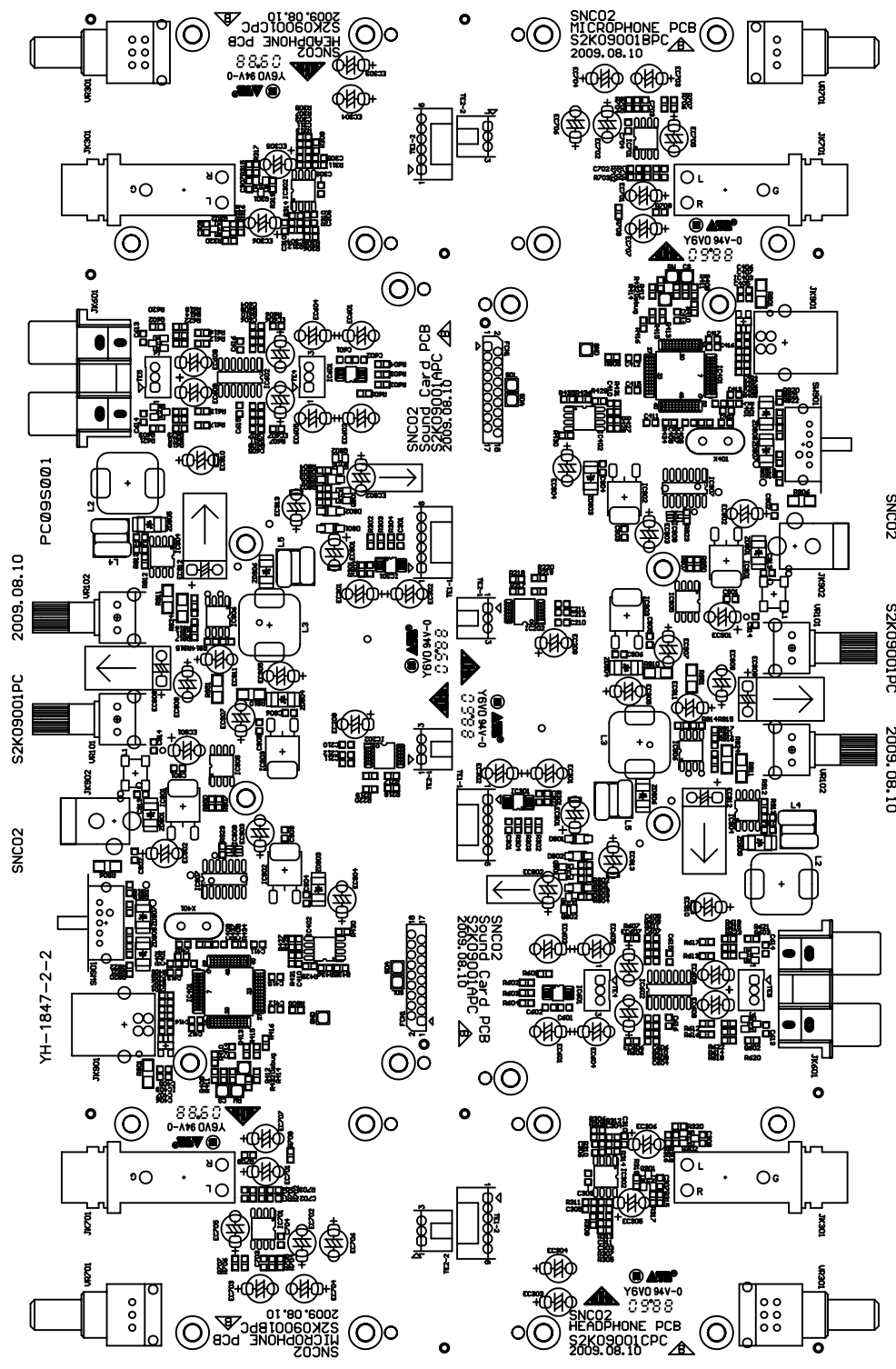












SNC02 S2K09001PC 2009.08.10

SNC02 S2K09001PC 2009.08.10

YH-1847-2

PC09S0001

SNC02
MICROPHONE PCB
S2K09001BPC
2009.08.10

SNC02
TICRPHONE PCB
S2K09001BPC
2009.08.10

SNC02
Sound Card PCB
S2K09001A PC
2009.08.10

SNC02
Sound Card PCB
S2K09001A PC
2009.08.10

Y6V0 94V-0
8333
SNC02
HEADPHONE PCB
S2K09001BPC
2009.08.10

Y6V0 94V-0
8333
SNC02
MICROPHONE PCB
S2K09001BPC
2009.08.10

