

SERVICE MANUAL

MODEL:VCI-380



SPECIFICATION

Features:

- > 5 Performance Modes – Slicer, Roll, Auto Loop, Hot Cue, Sampler
- > PAD Fx – World's first FX controlled by Aftertouch
- > Stand-alone Mixer – 2 Phono / Line Inputs + 2 Mics inputs
- > Scratch Jogwheels – High resolution and torque adjustable jogwheels with LED needle position display
- > Amazing sound – 24Bit/48Khz audio interface with Balanced XLR output and RCA booth output

SYSTEM REQUIREMENTS

WINDOWS

- OS: 7 (32bit / 64bit)
- CPU: Core DUO 1.8GHz(SSE1) or higher
- RAM : 2.0GB or higher
- CD-ROM (or DVD-ROM) drive, USB port, Hard disk space for music data.
* VCI-380 does not support Intel Celeron, Atom and AMD CPU.

MAC OS

- OS: 10.6 or higher
- CPU: Core DUO 1.66GHz(SSE1) or higher
- RAM: 1.0GB or higher
- CD-ROM (or DVD-ROM) drive, USB port, Hard disk space for music data.
* VCI-380 does not support PowerPC and Mac OS 10.5

POWER SUPPLY • OTHERS

POWER ADAPTOR :	DC 7.5V
POWER CONSUMPTION	6W (100V – 230VAC)
DIMENSIONS :	427(W) x 290(D) x 40(H)mm (without knobs) 427(W) x 304(D) x 60(H)mm (including knobs)
WEIGHT :	3.5 Kg

DISASSEMBLY PROCEDURES

1. REMOVAL OF BOTTOM. (Fig1)

- (A.) TAKE OUT THE 21 PCS KNOB AND 16 PCS SCREWS FROM THE CABINET.
- (B.) TAKE OUT THE 17 PCS SCREWS FROM THE BOTTOM.

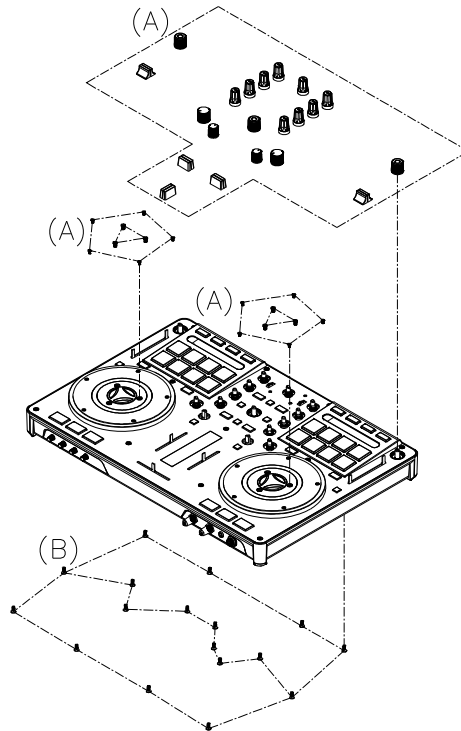


Fig.1

2. REMOVAL OF WHEEL LED PCB ASS'Y AND LEFT /RIGHT SWITCH PCB ASS'Y. (Fig2)

- (A.) REMOVAL OF 13 PCS SCREWS FROM THE PANEL.
- (B.) REMOVAL OF 14 PCS SCREWS BEFORE REMOVAL THE WHEEL LED PCB ASS'Y.
- (C.) REMOVAL OF 2 PCS SCREWS AND 2 PCS CONNECTORS BEFORE REMOVAL THE LEFT /RIGHT SWITCH PCB ASS'Y.

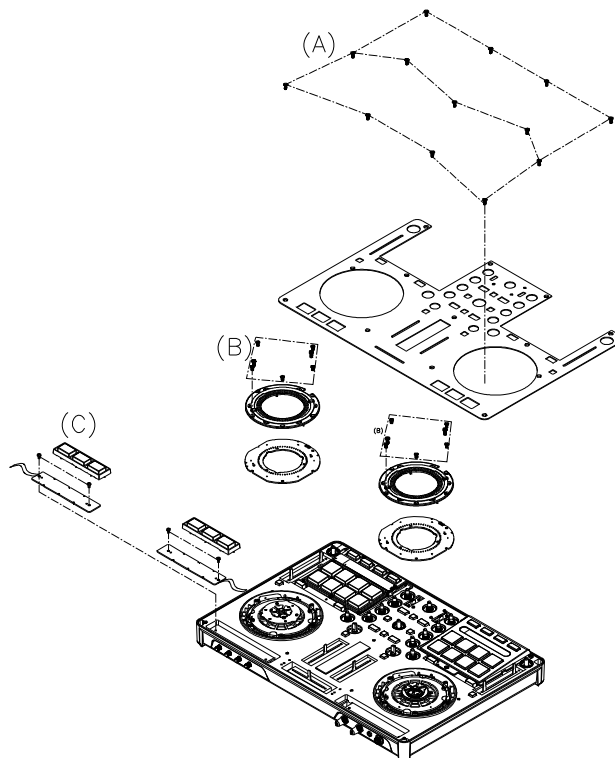


Fig.2

DISASSEMBLY PROCEDURES

3. REMOVAL OF I/O PCB AND XMOS L2 PCB AND HEADPHONE PCB AND FRONT PANEL PCB. (Fig.3)

- (A.) REMOVAL THE 9 PCS KNOB AND 8 PCS WASHER AND 8PCS SCREWS BEFORE REMOVAL FRONT PANEL AND REAR PANEL.
- (B.) REMOVE THE 12 PCS SCREWS AND 6 PCS CONNECTORS BEFORE REMOVAL I/O PCB AND XMOS L2 PCB AND HEADPHONE PCB AND FRONT PANEL PCB.

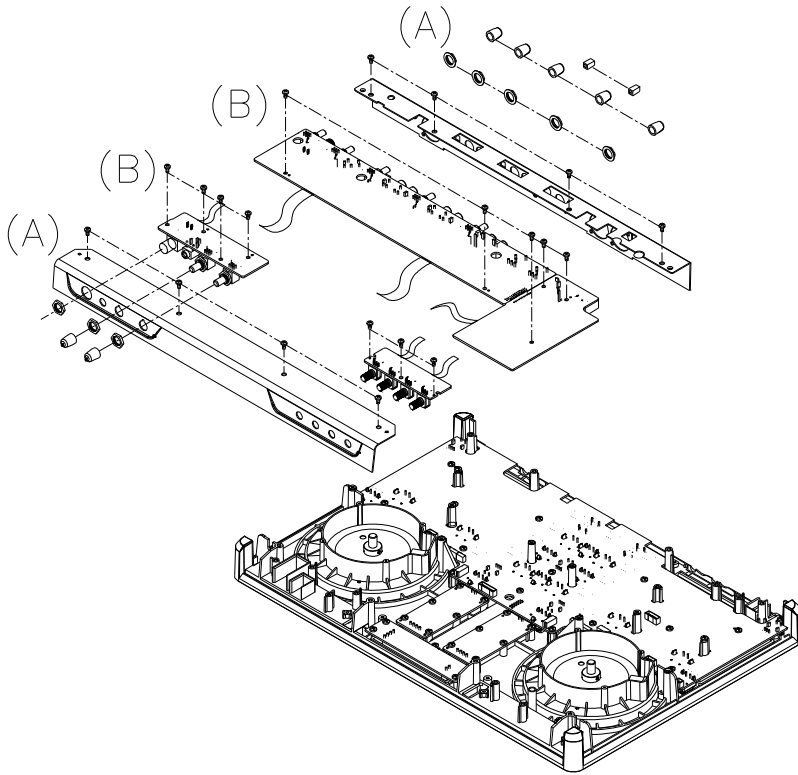


Fig.3

4. REMOVAL OF CONTROL AND METER LED AND LEFT / RIGHT INPUT FADER PCB ASS'Y. (Fig.4)

- (A.) REMOVAL THE 38 PCS SCREWS AND 9 PCS CONNECTORS BEFORE REMOVAL THE CONTROL AND METER LED AND LEFT / RIGHT INPUT FADER PCB ASS'Y.

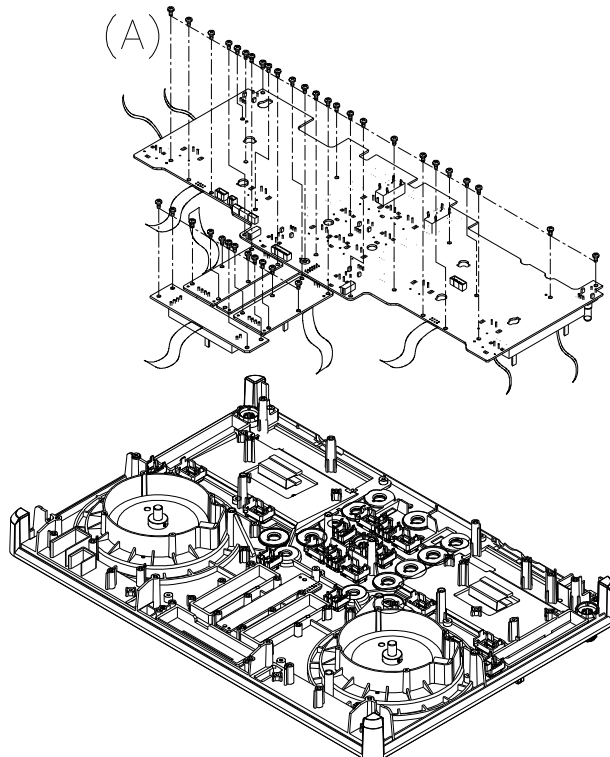
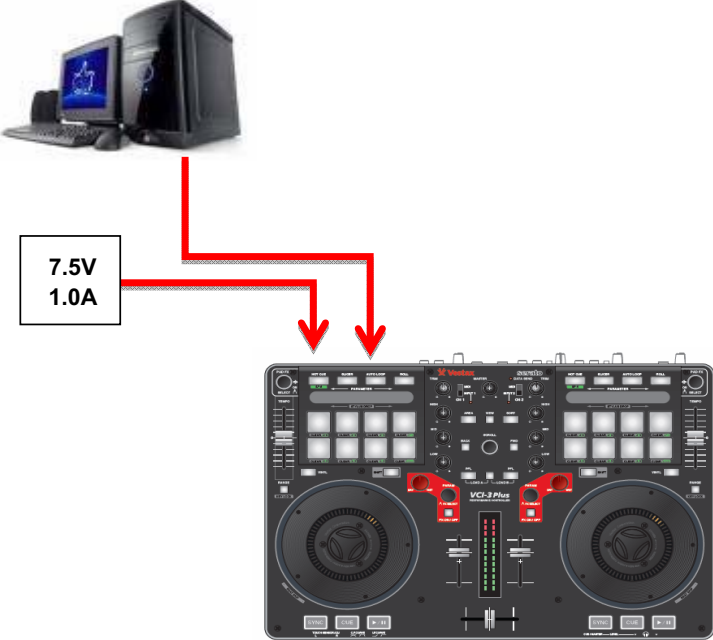








Fig.4


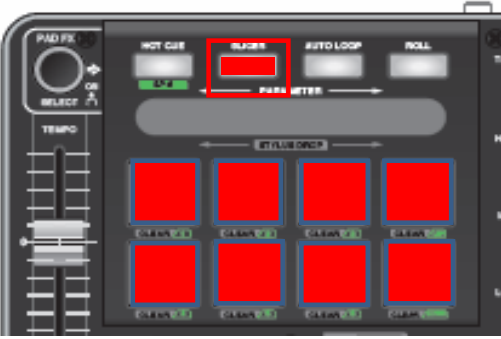


VCI-380 TEST PROCEDURE

No.	Description	Example
1	<p>MIDI Testing</p> <p>Connect VCI-380 to PC and turn on Power.</p>	
2	<p>Double click the Labview Midi Icon. The Testing Browser will prompt out. Press or slide the button or VR on the hardware. The virtual panel button will turn green after press.</p>	
3	<p>After all button and VR had been check. The whole browser will turn green. Click on STOP button turn off VCI-380 and continue to another set to test.</p> <p>Attn: Must Click on Stop button before disconnect the hardware and must turn on the hardware before p</p>	

VCI-380 TEST PROCEDURE

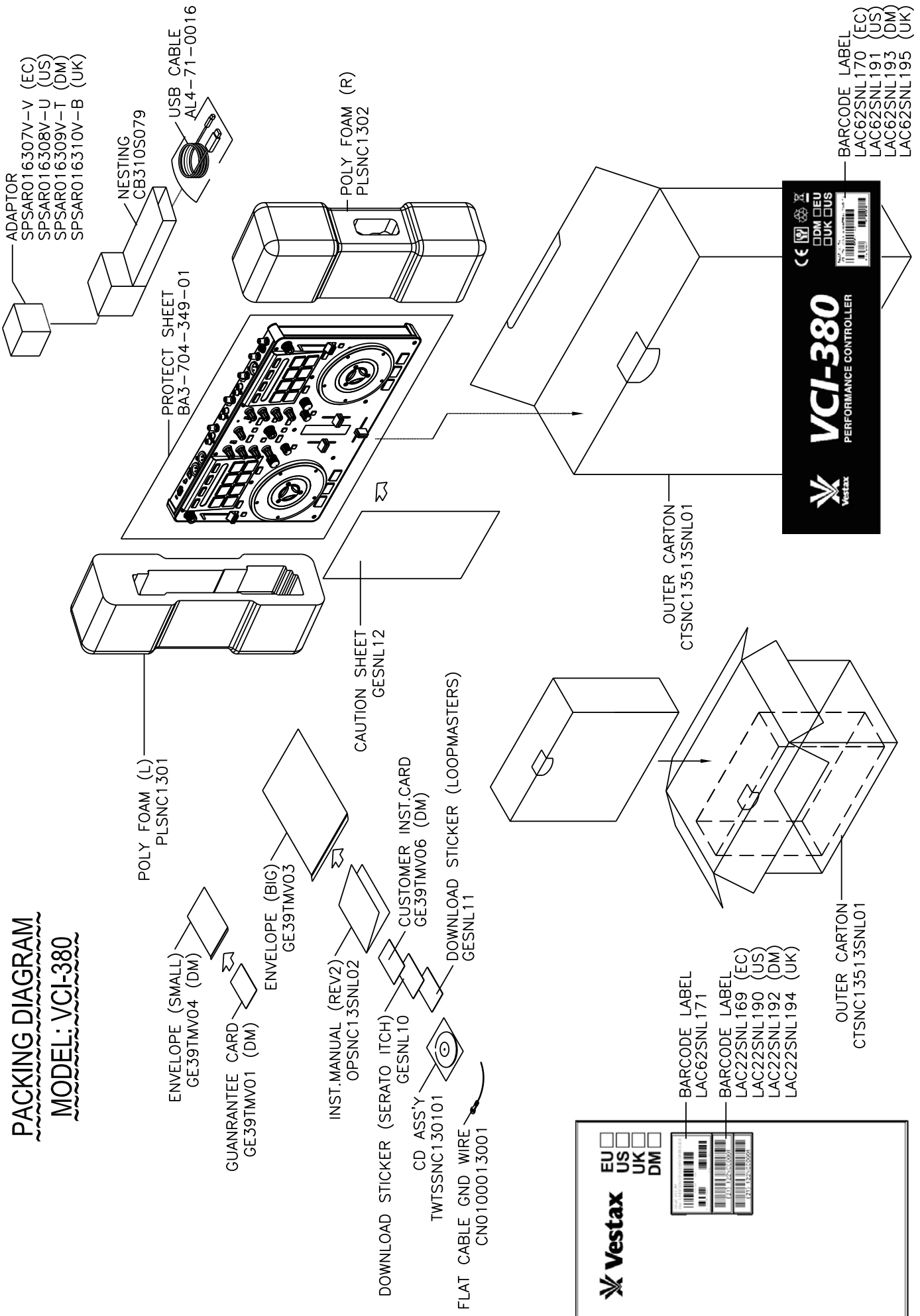
No.	Description	Example
1	<p>LED Testing Mode</p> <p>Connect VCI-380 to adaptor.</p>	<div style="border: 1px solid black; padding: 5px; display: inline-block;">7.5V 1.0A</div>  
2	<p>Connect VCI-380 to Power. Press and hold up the 2 button, power on. VCI-380 will turn to LED testing mode.</p>	
3	<p>The Pad Module will ON.</p>	
	<p>i . Left corner of Pad module Amber LED will ON. Light press on the highlighted area , the green led will on. once the depress the pad the green LED will off.</p>	

VCI-380 TEST PROCEDURE

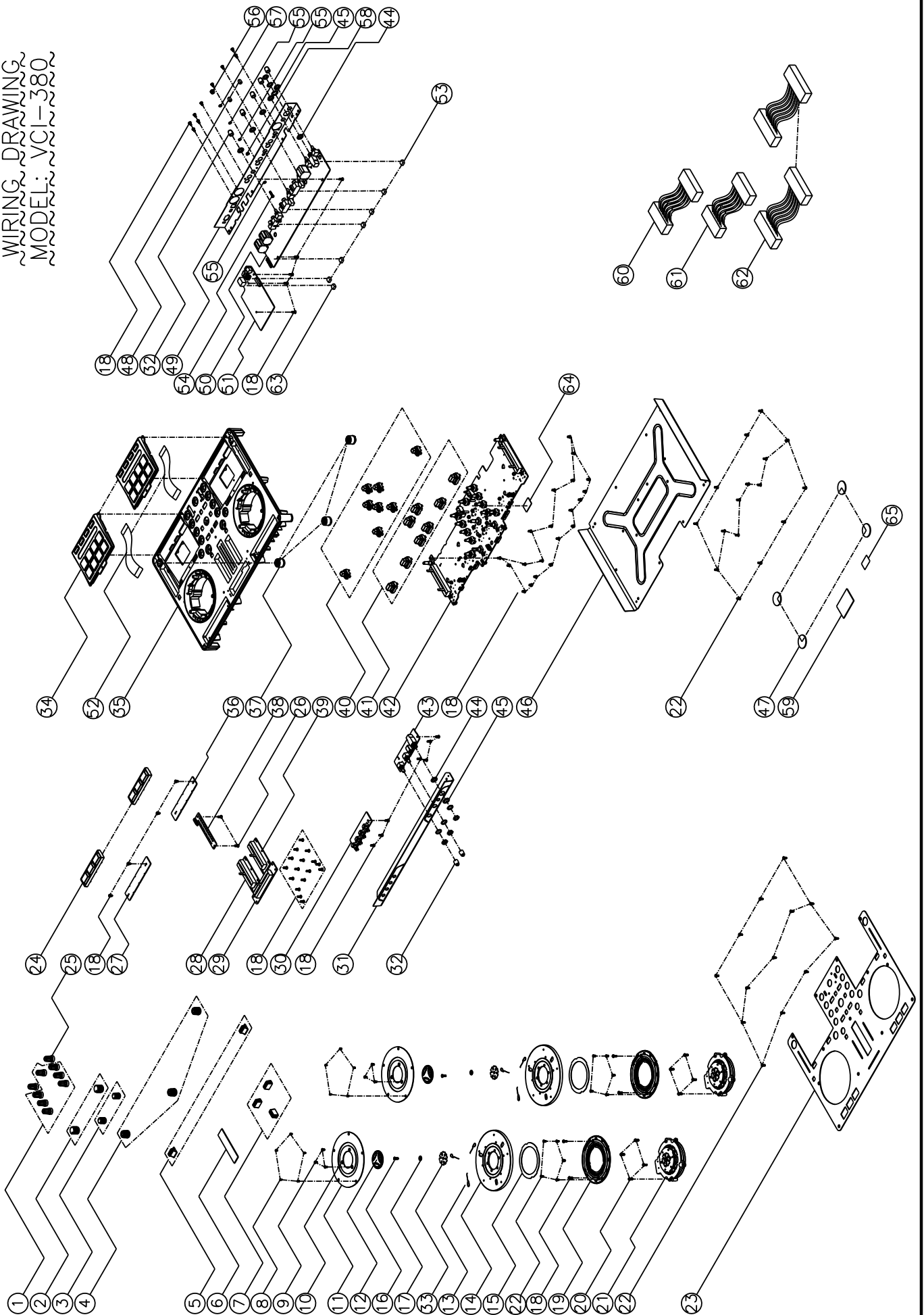
No.	Description	Example
	ii. Press the pad hard. the White LED will turn on permanently.	
	iii. Press the highlighted button. the LED on pad will turn red color.	
	iv. Press the highlighted button. the LED on pad will turn green color.	
	V. Press the highlighted button. the LED on pad will turn Blue color.	

PACKING DIAGRAM

MODEL: VCI-380



WIRING DRAWING
MODEL: VCI-380



VCI-380 (BOM)

Lvl	Materials	SPECS	Qty	Part Location
.1	AL4-71-0016	USB CABLE 2.0-DR178-ROHS	1	
.1	BA244452012MC	FADER KNOB W/MATT CHROME	3	7
.1	BA244684010	SLIDER KNOB (2446-8401-0)	2	5
.1	BA3-704-349-01	SHEET (STANDARD), PROTECT - DP	1	
.1	BADRD-130D95-1	VR KNOB	2	3
.1	BAMDR155D351	KNOB VR BLACK WITH RED PAINTED LINE	2	2
.1	BAPAD-MODULE01	PAD MODULE	2	34
.1	BATM-182-808-15	RUBBER FOOT	4	47
.1	BAUJ206022	KNOB (SQUARE)	2	48
.1	BAW-1064	WASHER (15*9.5*0.5MM)	2	45
.1	CB310S079	NESTING	1	
.1	CGSNC13313SNL01	INNER CARTON (SNC13)	1	
.1	CN0100013001	FLAT CABLE GND WIRE BLACK Φ3.7/1300MM Y-TE/Y-TE	1	
.1	CN1020001003	CONNECTOR WIRE 5P*2/2.0/100MM	1	60
.1	CN1020001506	CONNECTOR WIRE 5P*2/2.0/150MM	2	62
.1	CN1120001001	CONNECTOR WIRE 11P/2.0MM/100MM	1	61
.1	CTSNC13513SNL01	OUTER CARTON (2 IN 1)	0.5	
.1	EVA0704410	EVA (28*28*2MM)	1	64
.1	FFC2510001002	FFC 25PIN PITCH:1.0MM LENGTH:100MM	2	52
.1	GE39TMV03	ENVELOPE (BIG)	1	
.1	GE39TMV01	GUARANTEE CARD	1	FOR DM VERSION ONLY
.1	GE39TMV04	ENVELOPE (SMALL)	1	FOR DM VERSION ONLY
.1	GE39TMV06	CUSTOMER INSTRUCTION CARD	1	FOR DM VERSION ONLY
.1	GESNL10	DOWNLOAD TICKET - SERATO ITCH	1	
.1	GESNL11	DOWNLOAD TICKET - LOOPMASTERS	1	
.1	GESNL12	CAUTION SHEET	1	
.1	LAC22SNL169	SERIAL NUMBER LABEL(EC)(VCI-380) (A=2PCS, B=1PC)	1	FOR EC VERSION ONLY
.1	LAC22SNL190	SERIAL NUMBER LABEL(US)(VCI-380) (A=2PCS, B=1PC)	1	FOR US VERSION ONLY
.1	LAC22SNL192	SERIAL NUMBER LABEL(DM)(VCI-380) (A=2PCS, B=1PC)	1	FOR DM VERSION ONLY
.1	LAC22SNL194	SERIAL NUMBER LABEL(UK)(VCI-380) (A=2PCS, B=1PC)	1	FOR UK VERSION ONLY
.1	LAC42SNL53	LABEL (C-TICK)	1	65
.1	LAC52SNL173	LABEL (SAFETY) (VCI-380)	1	59
.1	LAC62SNL170	BARCODE LABEL(INNER)(EC)(VCI-380)	1	FOR EC VERSION ONLY
.1	LAC62SNL191	BARCODE LABEL(INNER)(US)(VCI-380)	1	FOR US VERSION ONLY
.1	LAC62SNL193	BARCODE LABEL(INNER)(DM)(VCI-380)	1	FOR DM VERSION ONLY
.1	LAC62SNL195	BARCODE LABEL(INNER)(UK)(VCI-380)	1	FOR UK VERSION ONLY
.1	LAC62SNL171	BARCODE LABEL(MASTER)(1SET X 2PCS)	1	
.1	MT5101803	METAL PLATE	2	33
.1	MT5104419	HOLDER (SCREW)	2	16
.1	MT510442401	FIXED PLATE (OUTER PLATE) W/SPRAY & PRINTING	2	10
..2	MT5104424	FIXED PLATE (OUTER PLATE)	1	
.1	MT510442501	FIXED PLATE (INNER PLATE) W/SPRAY & PRINTING	2	11
..2	MT5104425	FIXED PLATE (INNER PLATE)	1	
.1	MT512041001	FRONT PANEL W/SPRAYING	1	31
..2	MT5120410	FRONT PANEL	1	
.1	MT512041101	REAR PANEL W/SPRAY & PRINTING	1	49
..2	MT5120411	REAR PANEL	1	
.1	MT513001201	FACE PANEL W/SPRAY & PRINTING	1	23
..2	MT5130012	FACE PANEL	1	
.1	MT513030601	BOTTOM CHASSIS W/SPRAYING	1	46
..2	MT5130306	BOTTOM CHASSIS	1	
.1	NM5106102	VELVET CARPET (BLACK)	2	
.1	NP251SNL31	NAME PLATE (METTER)	1	6
.1	NP251SNL39	NAME PLATE	2	15
.1	NUT01030IID	NUT	1	58
.1	NUT05030ICU	NUT	1	56
.1	OPSNC13SNL02	INSTRUCTION MANUAL (REV 2)	1	
.1	PLSNC1301	POLYFOAM (LEFT)	1	
.1	PLSNC1302	POLYFOAM (RIGHT)	1	
.1	PT5104416	WASHER	2	44
.1	PT510442101	FIXED HOLDER W/ BLK RUBBER PAINT	2	12
.1	PT5104424	FIXED PLASTIC (PLATTER)	2	14

Lvl	Materials	SPECS	Qty	Part Location
..2	PMBE1682U	MASTER BATCH AS PN127 (TRANSPARENT BLUE)	0.055	
...3	RS-PN127	RESIN PN127 CHI MEI NATURAL	1	
.1	PT5110628	KNOB (VR)	2	25
.1	PT511063501	KNOB VR W/SPRAYING	7	32
..2	PT5110635	KNOB VR	1	
.1	PT511063601	ROTARY KNOB (BLACK & WHITE LINE)	7	1
.1	PT5110639	BUTTON (SMALL)	8	40
.1	PT5110642	BUTTON	8	41
.1	PT5110647	ROTARY KNOB	3	4
.1	PT5110653	LAMP HOLDER	3	37
.1	PT513020401	CABINET W/SPRAY & PRINTING	1	35
..2	PT5130204	CABINET	1	
...3	PM2046GY	COL. COMPOUND ABS TOYOLAC 700	0.593	
....4	RS-ABS 700	ABS TOYOLAC 700-314 NAT	1	
.1	PU007007004	CONDUCTIVE FOAM	6	53
.1	PU007007005	CONDUCTIVE FOAM	1	63
.1	RU5110604	RUBBER KEYPAD	2	24
.1	SC0206FBBI	SCREW	10	8
.1	SC0306FIBI	SCREW	6	9
.1	SC0306PBBI	SCREW	2	26
.1	SC0308PBBI	SCREW	61	18
.1	SC0310FBBI	SCREW	40	22
.1	SC0310PBBI	SCREW	8	20
.1	SC0314PMJI	SCREW	1	54
.1	SP5104302	SPRING	6	13
.1	SPSAR016307V-V	SWITCHING ADAPTER 7.5V/1A EU	1	FOR EC VERSION ONLY
.1	SPSAR016308V-U	SWITCHING ADAPTER 7.5V/1A UL	1	FOR US VERSION ONLY
.1	SPSAR016309V-T	SWITCHING ADAPTER 7.5V/1A DM	1	FOR DM VERSION ONLY
.1	SPSAR016310V-B	SWITCHING ADAPTER 7.5V/1A UK	1	FOR UK VERSION ONLY
.1	TWPC11S00901	PCB ASS'Y XMOS L2 (SNC13)	1	51
..2	CS103K5003X7R	C.CAP 0.010UF 50V X7R,±10% SMD 0603	2	C46, 47
..2	CS104K5003X7R	CHIP CAP 0.1UF/50V,X7R,+/-10%, SMD 0603	21	C3, 7, 11, 12, 15, 16, 20~31, 34, 161, 162
..2	CS105K1603X7R	CERA CAPACITOR 1UF 10%16V 03X7R-R	1	C48
..2	CS106K1005X5R	CHIP CAP 10UF/10V,+/-10%,X5R,SMT 0805	10	C1, 2, 4~6, 17~19, 33, 163
..2	CS330J5003NPO	CHIP CAP 33PF 50V 5% 0603 NP0	2	C44, 45
..2	CS331J5003NPO	C.CAP 330P NPO 50V +/-5%	2	C9, 13
..2	CS475K1605X5R	C.CAP 4.7UF/16V X5R,+/-10%,SMD 0805	1	C8
..2	DISDRB051L-40	SCHOTTKY BARRIER DIODES RB051L-40	1	D1
..2	DIZDSMLVT3V3	DIODE TVS SMLVT3V3 SMD	1	ZD1
..2	ECS10616BLE	ECAP 10UF/16V 4*5.7MM SMD LOW ESR	1	C14
..2	ECS22550B	ECAP 2.2UF/50V 4*5.3MM SMD	1	C50
..2	ECS47616DLE	ECAP 47UF/16V 6.3*5.7MM SMD LOW ESR	1	C10
..2	ICBA05T	IC (BA05T)	1	IC2
..2	ICCS2300-CP	IC CS2300-CP MO-187	1	IC14
..2	ICHCPL-060L	IC HCPL-060L SO-8	1	IC32
..2	ICNC7NZ34K8X	IC NC7NZ34K8X MO-187	1	IC15
..2	ICNC7SZU04M5X	IC NC7SZU04M5X SOT23	1	IC13
..2	ICNC7WZ07P6X	IC NC7WZ07P6X SC70	1	IC18
..2	ICNCP1521BSNT1G	IC NCP1521BSNT1G TSOP-5	2	IC1, 7
..2	ICNCP303LSN09T1	IC NCP303LSN09T1G TSOP-5	1	IC16
..2	ICNCP699SN18T1G	IC NCP699SN18T1G TSOP-5	1	IC10
..2	ICTC74VHC04FT	IC TC74VHC04FT TSSOP14	1	IC6
..2	ICUSB3318	IC USB3318 QFN24	1	IC11
..2	ICXS1L02AQ124C5	IC XS1-L02A-QF124-C5 124QFN	1	IC12
..2	ICYHFRS015	IC AT25DF041A-SH + PROGRAME	1	IC17
...3	ICAT25DF041A-SH	IC AT25DF041A-SH BLANK SOIC8	1	
..2	JKDJ-0702B-020	DC SOCKET 2.0MM	1	J1
..2	JKUSBBSSBTHR	USB JACK 2.0 B-TYPE 90°	1	J2
..2	NUT0103INI	NUT (3M/M)- ROHS	1	(IC2)
..2	PC11S009	XMOS L2 PCB 4 LAYER FR-4 130X74.7MM	1	
..2	RS000002J20	CHIP RES. 0 Ω 5% SMD 2010	1	RJ1
..2	RS001K10F03	CHIP RES. 1K Ω 1% SMD 0603	1	R812
..2	RS003310F03	CHIP RES. 33 OHM,1/8W,+/-1%,0603	4	R43~46
..2	RS010010F03	CHIP RES. 100 Ω 1% SMD 0603	12	R34, 47, 48, 149~151, 153~158

Lvl	Materials	SPECS	Qty	Part Location
..2	RS010K10F03	CHIP RES. 10K Ω 1% SMD 0603	6	R10, 13, 24~26, 147
..2	RS012010F03	CHIP RES. 120 Ω 1% SMD 0603	2	R810, 811
..2	RS01K510F03	CHIP RES. 1.5K Ω 1% SMD 0603	1	R19
..2	RS02M210J03	CHIP RES. 2.2M Ω 5% SMD 0603	1	R49
..2	RS02R210F03	CHIP RES. 2.2 Ω 1% SMD 0603	1	R52
..2	RS047010F03	CHIP RES. 470 Ω 1% SMD 0603	1	R50
..2	RS047K10F03	CHIP RES. 47K Ω 1% SMD 0603	1	R28
..2	RS04K710F03	CHIP RES. 4.7K Ω 1% SMD 0603	8	R29~33, 36, 142, 143
..2	RS06K810F03	CHIP RES. 6.8K Ω 1% SMD 0603	2	R12, 14
..2	RS8K0610F03	CHIP RES. 8.06K Ω 1% SMD 0603	1	R42
..2	SC0308RINI	SCREW	1	(IC2)
..2	SW5MD1S12AM6QES	SWITCH SLIDE 2P 3T DUAL-ROW	1	SW1
..2	TE352001001	5P*2 CONNECTOR 2.0MM DIP	1	CN501
..2	TE952002402	24P DUAL ROW PIN HEADER 2.0MM 90DEG	1	TE11
..2	TE962542001	20P CONNECTOR SOCKET	1	CN1
..2	UH6045T2R2N3R3	INDUCTOR 2.2UH 3.3A 30% SMD TDK	2	L3, 4
..2	UHDLW5BTN501SQ2	INDUCTOR (4A) DR257	1	L1
..2	UHMPZ1608S331A	BEAD 330 Ω 1.7A 25% SMD TDK	1	L6
..2	XTM13000X6	CRYSTAL 13MHZ 49U SMD	1	X1
.1	TWPC11S01001	PCB ASS'Y I/O	1	50
..2	AA428998J	D SILICON C.1SS355TE-17 T08E	1	D10
..2	AL2-75-4344	IC CONVERTER D/A CS4344 24BIT 192KHZ (12S) TSSOP10	2	IC30, 31
..2	CN0620002510	CONNECTOR WIRE 6P/2.0/250MM 180DEG	1	CN2
..2	CS101J5003NPO	CHIP CAPACITOR SMD 100P/50V \pm 5% 0603 NPO-ROHS	8	C123, 127, 129, 130, 141, 142, 411, 412
..2	CS102K5003X7R	CHIP CAP 1000PF/50V,X7R,+/-10%, SMD 0603	14	C91~99, 100, 143~146
..2	CS104K5003X7R	CHIP CAP 0.1UF/50V,X7R,+/-10%, SMD 0603	46	C1~C3, 5~10, 13, 15~17, 32~41, 53, 78, C83, 84, 87~90, 133, 134, 166, 201, 203, C205, 207, 309, 310, 319, 320, 407, 408, C413, 414
..2	CS106K1005X5R	CHIP CAP 10UF/10V,+/-10%,X5R,SMT 0805	1	C19
..2	CS150J5003NPO	CHIP CAP.15PF ,SMD0603,+/-5 %, 50V, NPO	4	C119~122
..2	CS220J5003NPO	C.CAP 22P NPO 50V +/-5%	4	C151~154
..2	CS222J5003X7R	C.CAP 2200PF/50V,X7R, \pm 5%,-55~+125°C,SMD 0603	4	C305, 306, 315, 316
..2	CS470J5003NPO	CHIP CAP.47PF ,SMD0603,+/-5 %, 50V, NPO	2	C403, 404
..2	CS471J5003NPO	C. CAP. SMD 470 pF 50V 5% 0603 NPO	1	C11
..2	CS822K5003X7R	CERA CAPACITOR 8.2NF/50V 0603X7R-	4	C307, 308, 317, 318
..2	DI1SS403SM	DIODE HIGH VOLT ON/OFF 1SS403 1.1E1A	1	D11
..2	DISDRB051L-40	SCHOTTKY BARRIER DIODES RB051L-40	2	D6~9
..2	DIZDSMLVT3V3	DIODE TVS SMLVT3V3 SMD	5	D1~5
..2	ECS10550B	E.CAP 1UF/50V TYPE B SMD	18	C54~61, 101~104, 139, 140, 202, 204, 206, C208
..2	ECS10616SMD	ALUMINUM ELECTROLYTIC CAPACITOR CHIP 10UF/16V EC-	39	C49, 62~65, 69, 74~76, 105, 106, 109, C111, 113~115, 118, 155~160, 164, 168, C301~304, 311~314, 401, 402, 405, 406, C409, 410
..2	ECS10650C	ECAP 10UF/50V 5*5.3MM SMD	6	C132, 135, 147~150
..2	ECS10716FLE	ECAP 100UF/16V 8*10MM SMD LOW ESR	2	C12, 167
..2	ECS22716D8	E.CAP 220UF/16V D8 TYPE SMD 6.3 X 7.7MM	1	C165
..2	ECS33716FLE	ECAP 330UF/16V 8*10.2MM SMD LOW ESR	1	C14
..2	ECS47616DLE	ECAP 47UF/16V 6.3*5.7MM SMD LOW ESR	1	C4
..2	ICBA033FP	IC (BA033FP)	1	IC3
..2	ICBA06CC0FP-E2	IC BA06CC0FP-E2 TO252-3	1	IC8
..2	ICBA4558F	IC (4558) SMD	2	IC301, 302
..2	ICCS5341	IC CS5341 TSSOP-16	3	IC19, 29, 201
..2	ICNJM2100M	IC (NJM2100M)	5	IC20~24
..2	ICNJM2374AM	IC NJM2374AM DMP8	1	IC5
..2	ICNJM5532M	IC NJM5532M DMP8	3	IC28, 401, 402
..2	JK4HSP-212VP-08	RCA 4HSP-212VP-08 (GOLD)	1	J3
..2	JK4KM04048A-04	RCA 4KM04048A-04 (GOLD)	2	JK10, 11
..2	JKALX-1604H-3	XLR JACK 4PIN FEMALE 90°	1	J6
..2	JKHTJ-064-12D	JACK HTJ-064-12D	1	J7
..2	JKLX-1601H-3	XLR JACK(MALE)90° ROHS	2	J4, 5
..2	PC11S010	PCB I/O 2LAYER FR-4 ENTEK 310.5*65MM	1	
..2	RS000008J05	CHIP RES. 0 Ω 5% SMD 0805-ROHS	1	RJ2

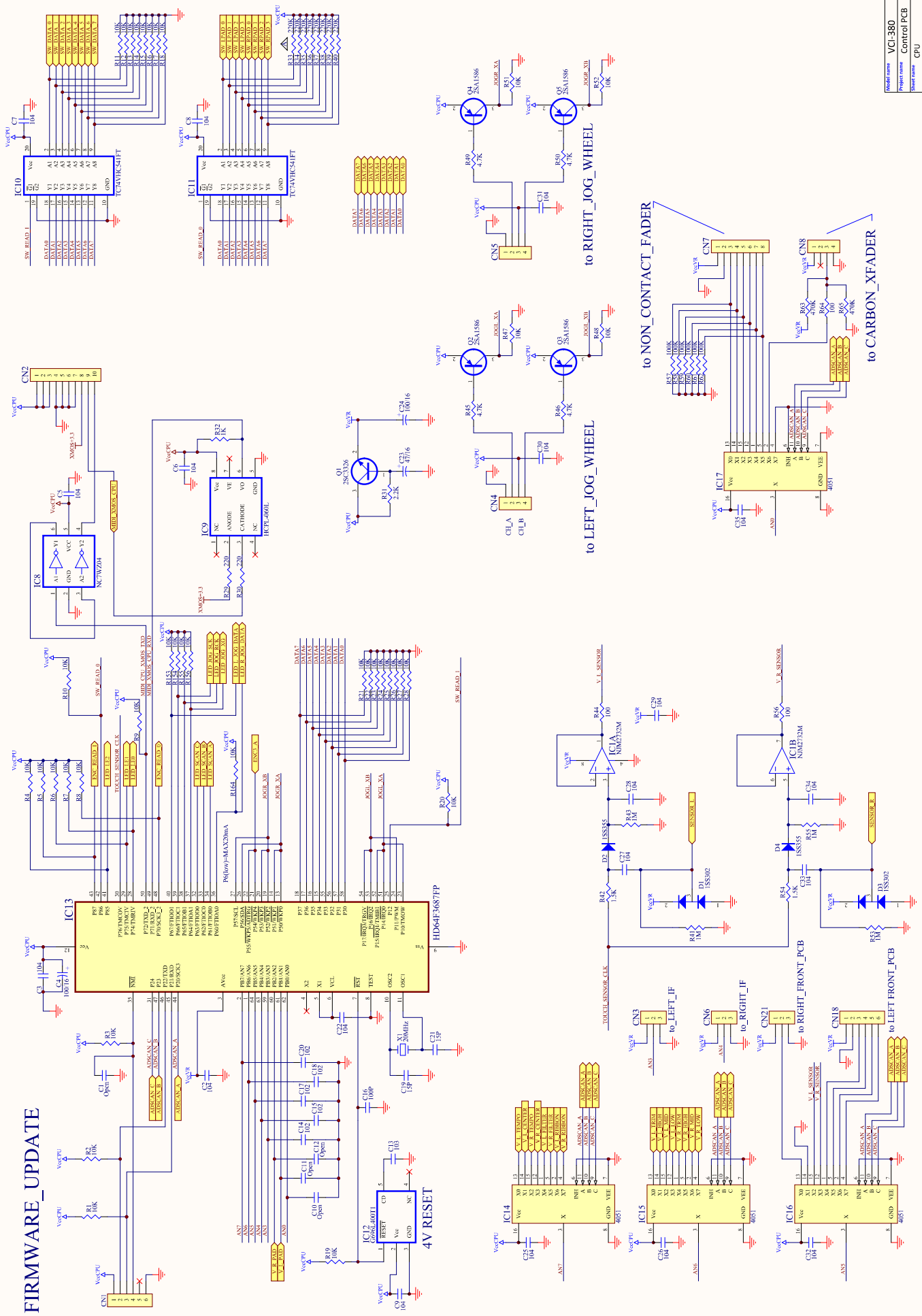
Lvl	Materials	SPECS	Qty	Part Location
..2	RS000010J03	CHIP RES. 0 Ω 5% SMD 0603	4	R325~328
..2	RS001K10F03	CHIP RES. 1K Ω 1% SMD 0603	16	R80~85, 180~185, 301, 302, 311, 312
..2	RS001M10F03	CHIP RES. 1M OHM,1/8W,+/-1%,0603	4	R110~113
..2	RS010010F03	CHIP RES. 100 Ω 1% SMD 0603	20	R159~174, 201~204
..2	RS010K10F03	CHIP RES. 10K Ω 1% SMD 0603	25	R7, 22, 35, 37~39, 54, 64, 72, 78, R138~141, 176, 177, 205~207, 403~408
..2	RS018K10F03	CHIP RES. 18K Ω 1% SMD 0603	1	R20
..2	RS033K10F03	CHIP RES. 33K Ω 1% SMD 0603	4	R106~109
..2	RS036K10F03	CHIP RES. 36K Ω 1% SMD 0603	4	R307, 308, 317, 318
..2	RS039K10F03	CHIP RES. 39K OHM,1/10W,+/-1%,0603	2	R401, 402
..2	RS047K10F03	CHIP RES. 47K Ω 1% SMD 0603	16	R86~88, 91~99, 100, 101, 187, 188
..2	RS04K710F03	CHIP RES. 4.7K Ω 1% SMD 0603	1	R15
..2	RS056K10F03	CHIP RES. 56K Ω 1% SMD 0603	4	R303, 304, 313, 314
..2	RS05K610F03	CHIP RES. 5.6K Ω 1% SMD 0603	4	R130~133
..2	RS05R110F03	CHIP RES. 5.1 Ω 1% SMD 0603	3	R40, 41, 208
..2	RS06K810F03	CHIP RES. 6.8K Ω 1% SMD 0603	4	R56, 65, 74, 75
..2	RS082010F03	CHIP RES. 820 Ω 1% SMD 0603	4	R305, 306, 315, 316
..2	RS0R2202F20	CHIP RES. 0.22 Ω 1% SMD 2010	1	R17
..2	RS100K10F03	CHIP RES. 100K Ω 1% SMD 0603	8	R103, 104, 120~125
..2	RS180K10F03	CHIP RES. 180K OHM,1/10W,+/-1%,0603	2	R135, 136
..2	RS220K10F03	RESISTOR THICK FILM 1% 1/10W 0603 SMD 220K OHM	4	R126~129
..2	RS300K10F03	CHIP RES. 300K Ω 1% SMD 0603	2	R134, 137
..2	RS470K10F03	CHIP RES. 470K Ω 1% SMD 0603	4	R309, 310, 319, 320
..2	RS560K10F03	CHIP RES. 560K Ω 1% SMD 0603	2	R178, 179
..2	SWSPUJ190900	ON/OFF PUSH SWITCH 2 STEP DOUBLE LINE	2	SW301, 302
..2	TE552002401	24P CONNECTOR SOCKET 2.0MM 90DEG	1	TE11
..2	TE612001103	11P CONNECTOR SOCKET	1	J11
..2	TR2SA1586Y	TRANSISTOR 2SA1586Y PNP SC-70	1	Q3
..2	TR2SD2114KSM	TRANSISTOR NPN 2SD2114K SOT-23 (SMD)	6	Q4~9
..2	TRC4116GR	TRANSISTOR 2SC4116GR SC-70	1	Q2
..2	UH12555T221MR72	INDUCTOR 220UH 0.72A 20% SMD TDK	1	L5
..2	UHMMZ1608S601A	BEAD 600Ω 0.5A 25% SMD TDK	26	L7~32
..2	VRR10401503	ROTARY VR 100K 1B 15MM DUAL(NICKEL)	2	VR1, 2
..2	VRR50301516	ROTARY VR 50K 1B 15MM SINGLE (NICKEL)	2	VR3, 4
..2	VRR50301518	ROTARY VR 1B 15MM DUAL (NICKEL)	1	VR5
.1	TWPC11S01101	PCB ASS'Y CONTROL	1	42
..2	AA428998J	D SILICON C.1SS355TE-17 T08E	25	D2, 4~27
..2	CN0320001005	CONNECTOR WIRE 3P/2.0/100MM	2	CN3, 6
..2	CN0320001510	CONNECTOR WIRE 3P/2.0MM/150MM 180DEG	1	CN21
..2	CN0420002001	4P CONNECTOR WIRE L=200MM	1	CN8
..2	CN0620001506	CONNECTOR WIRE 6P/2.0MM/150MM	1	CN18
..2	CS101J5003NPO	CHIP CAPACITOR SMD 100P/50V ±5% 0603 NPO-ROHS	3	C16, 203, 204
..2	CS102K5003X7R	CHIP CAP 1000PF/50V,X7R,+/-10%, SMD 0603	7	C14, 15, 17, 18, 20, 57, 58
..2	CS103K5003X7R	C.CAP 0.010UF 50V X7R,±10% SMD 0603	9	C13, 36, 37, 42, 43, 46, 47, 52, 53
..2	CS104K5003X7R	CHIP CAP 0.1UF/50V,X7R,+/-10%, SMD 0603	36	C2, 3, 5~9, 22, 25~35, 38~41, 44, 45, C48~51, 54~56, 211~214
..2	CS150J5003NPO	CHIP CAP.15PF ,SMD0603,+/-5 %, 50V, NPO	2	C19, 21
..2	DI1SS302SM	DIODE 1SS302 SC-70	2	D1, 3
..2	ECS10616SMD	ALUMINUM ELECTROLYTIC CAPACITOR CHIP 10UF/16V EC-	2	C201, 202
..2	ECS10650C	ECAP 10UF/50V 5*5.3MM SMD	4	C207~210
..2	ECS10716D	E. CAP 100UF/16V SMD ROHS	2	C4, 24
..2	ECS47616D	E.CAP 47UF/16V DTYPE SMD	1	C23
..2	FCN2R1002501	FFC CONNECTOR WITH DUAL CONTACT 90° 1.0MM 25PIN S	2	CN10, 11
..2	ICG697L400T1UF	IC G697L400T1UF SOT-23-5	1	IC12
..2	ICHCP-060L	IC HCPL-060L SO-8	1	IC9
..2	ICNC7WZ04P6X	IC NC7WZ04P6X SC70	1	IC8
..2	ICNJM2732M	IC NJM2732M DMP8	1	IC1
..2	ICNJM5532M	IC NJM5532M DMP8	2	IC201, 202
..2	ICTC4051BFT	IC TC4051BFT TSSOP16	4	IC14~17
..2	ICTC74VHC04FT	IC TC74VHC04FT TSSOP14	1	IC23
..2	ICTC74VHC138FT	EE IC TC74VHC138FT TSSOP16	1	IC22
..2	ICTC74VHC541FT	IC TC74VHC541FT TSSOP20	4	IC10, 11, 18, 19
..2	ICTC74VHC573FT	ICTC74VHC573FT	3	IC20, 21, 24
..2	ICTC74VHC74FT	IC TC74VHC74FT TSSOP14	4	IC2, 4, 5, 7

Lvl	Materials	SPECS	Qty	Part Location
..2	ICTC74VHCT14AFT	IC TC74VHCT14AFT TSSOP 14	2	IC3, 6
..2	ICYH2K11S02	IC H8S/HD64F3687FPV + PROGRAME LQFP64	1	IC13
...3	ICHHD64F3687FPV	IC CPU HD64F3687FPV BLANK LQFP64	1	
..2	LDKPHM1608QWF-D	LED WHITE SMD 0603 120DEG	3	LD19, 20, 34
..2	LDLTST-C190KRKT	LED RED (3-20-0011)	8	LD21~25, 32 46, 48
..2	LDPTV1608SYEC	LED SUPER BRIGHT YELLOW, WATER CLEAR, 0603SMD	16	LD26, 28, 29, 33, 35~45, 47
..2	NM1106118	VELVET CARPET	2	
..2	PC11S011	PCB CONTROL 2LAYER FR-4 ENTEK 409*159.5	1	
..2	RS000010J03	CHIP RES. 0 Ω 5% SMD 0603	2	R207, 208
..2	RS001K10F03	CHIP RES. 1K Ω 1% SMD 0603	9	R32, 130~137
..2	RS001M10F03	CHIP RES. 1M OHM,1/8W,+/-1%,0603	12	R41, 43, 53, 55, 142~149
..2	RS010010F03	CHIP RES. 100 Ω 1% SMD 0603	3	R44, 56, 64
..2	RS010K10F03	CHIP RES. 10K Ω 1% SMD 0603	83	R1~28, 47, 48, 51, 52, 102~129, 138~141, R153~156, 160~168, 201~206
..2	RS015010F03	CHIP RES. 150 Ω 1% SMD 0603	30	R78~99, 100, 101, 150~152, 157~159
..2	RS01K510F03	CHIP RES. 1.5K Ω 1% SMD 0603	2	R42, 54
..2	RS022010F03	CHIP RES. 220 Ω 1% SMD 0603	2	R29, 30
..2	RS02K210F03	CHIP RES. 2.2K Ω 1% SMD 0603	1	R31
..2	RS04K710F03	CHIP RES. 4.7K Ω 1% SMD 0603	4	R45, 46, 49, 50
..2	RS100K10F03	CHIP RES. 100K Ω 1% SMD 0603	14	R33~40, 57~62
..2	RS470K10F03	CHIP RES. 470K Ω 1% SMD 0603	2	R63, 65
..2	SWEC11E09244BS	9 PULSE ENCODER ROTARY PRESS SWITCH	5	ENC1~5
..2	SWEVQ11L05R	TACT SWITCH(5MM) ROUND TERMINAL	16	SW2, 3, 5~18
..2	SWSSSB021500	ON/OFF SWITCH DUAL LINE 2T	2	SW1, 4
..2	TE10200601	6P CONNECTOR SOCKET 180°	1	CN1
..2	TE362001001	PIN SOCKET 2.0MM 5PIN*2 DIP	3	CN2, 12, 16
..2	TE562540804	PIN HEADER 180°PITCH 2.54MM HIGHT	2	CN13, 15
..2	TE562541202	PIN HEADER 180°PITCH 2.54MM HIGHT	1	CN14
..2	TE612000202	2P CONNECTOR SOCKET	2	TE1, 2
..2	TE612000402	4P CONNECTOR SOCKET	2	CN4, 5
..2	TE612000801	8P CONNECTOR	1	CN7
..2	TE622001101	11P CONNECTOR SOCKET	1	TE3
..2	TR2SA1586Y	TRANSISTOR 2SA1586Y PNP SC-70	4	Q2~5
..2	TR2SA2058	TRANSISTOR 2SA2058 PNP 2-3S1A	8	Q20~22, 24~26, 28, 29
..2	TR2SC3326A	TRANSISTOR 2SC3326A PNP TO-236MOD	1	Q1
..2	TRC4116GR	TRANSISTOR 2SC4116GR SC-70	20	Q6~19, 23, 27, 30~33
..2	TWRED01	LED RED ROUND TYPE ASS'Y (SNC11)	3	LD27, 30, 31
...3	BALE48211-0A	LED HOLDER	1	
...3	LDIFR324HD	LED 3MM (RED)	1	
..2	VRR10301512	V.RESISTOR ROTARY 10K 1B SHAFT L:15MM CENTER CLICK	6	VR2, 4~8
..2	VRR10301513	V.RESISTOR ROTARY:10K 1B SHAFT L:15MM SINGLE CLICK	4	VR1, 3, 9, 10
..2	VRR50301505	VR ROTARY 50KB*2 25MM DOUBLE CONNECT	1	VR201
..2	VRS10306017	POTENTIOMETER SLIDE 10K B 45MM 16.8MM	2	FD1, 2
..2	XTM20000X6	CRYSTAL 20MHZ	1	X1
.1	TWPC11S01201	PCB ASS'Y SMALL	1	
..2	PC11S012	PCB SMALL SINGLE LAYER FR-1 + CARBON	1	
..2	TWPC11S012A01	PCB ASS'Y HEADPHONE	1	43
...3	CS101J5003NPO	CHIP CAPACITOR SMD 100P/50V ±5% 0603 NPO-ROHS	2	C708, 709
...3	CS104K5003X7R	CHIP CAP 0.1UF/50V,X7R,+/-10%, SMD 0603	2	C710, 711
...3	CS470J5003NPO	CHIP CAP.47PF ,SMD0603,+/-5 %, 50V, NPO	2	C704, 705
...3	EC10616TS	E. CAP 10UF/16V (7MM)	4	C700~703
...3	EC22716TS	E. CAP 220UF/16V (4*7MM)	2	C706, 707
...3	ICNJM4556AM	IC (NJM4556AM)	1	IC700
...3	JKHTJ-035-23	HEADPHONE JACK 3.5MM DIAMETER	1	J701
...3	JKHTJ-064-12D	JACK HTJ-064-12D	1	J700
...3	JW5206T	JUMPER WIRE (A.I.) 52MM	2	J2, 3
...3	RS001K10F03	CHIP RES. 1K Ω 1% SMD 0603	2	R710, 711
...3	RS004702F20	RES 47Ω 1% SMD 2010	2	R708, 709
...3	RS010K10F03	CHIP RES. 10K Ω 1% SMD 0603	2	R702, 703
...3	RS068K10F03	CHIP RES 68K OHM 1% 1/10W 0603	2	R704, 705
...3	RS100K10F03	CHIP RES. 100K Ω 1% SMD 0603	4	R700, 701, 706, 707
...3	TE10200602	6P CONNECTOR SOCKET 90°	1	TE700
...3	TE622000302	3P CONNECTOR SOCKET	1	CN20
...3	TR2SD2114KSM	TRANSISTOR NPN 2SD2114K SOT-23 (SMD)	2	Q701, 702

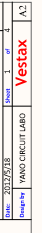
Lvl	Materials	SPECS	Qty	Part Location
...3	UHMMZ1608S601A	BEAD 600Ω 0.5A 25% SMD TDK	3	L700~702
...3	VRR10301520	V.RESISTOR VOLUME :10K 15A DUAL-UNIT NICKEL	1	VR700
...3	VRR10301522	ROTARY VR 10K 1B 15MM SINGLE (NICKEL)	1	VR15
..2	TWPC11S012B01	PCB ASS'Y LEFT I/P FADER	1	28
...3	NM1106115	VELVET CARPET	1	(VR1)
...3	TE622000302	3P CONNECTOR SOCKET	1	TE
...3	VRS10304529	POTENTIOMETER SLIDE 10K B 45MM 15MM	1	VR1
..2	TWPC11S012C01	PCB ASS'Y RIGHT I/P FADER	1	39
...3	NM1106115	VELVET CARPET	1	(VR2)
...3	TE622000302	3P CONNECTOR SOCKET	1	TE2
...3	VRS10304529	POTENTIOMETER SLIDE 10K B 45MM 15MM	1	VR2
..2	TWPC11S012D01	PCB ASS'Y CROSS FADER	1	29
...3	TE622000401	CONNECTOR (4P 90 DEGREE)	1	TE3
...3	VRS10304528	VR SLIDE 10K 1B 45MM 15MM DUAL CONTACT	1	VR3
..2	TWPC11S012E01	PCB ASS'Y FRONT FADER	1	30
...3	JW5206T	JUMPER WIRE (A.I.) 52MM	3	J1, 4, 5
...3	TE10200602	6P CONNECTOR SOCKET 90°	1	CN4
...3	VRR10301524	ROTARY VARIABLE RESISTOR 10K 2B 15MM	4	VR4~7
..1	TWPT510442301	JOG WHEEL ASS'Y (SNC13)	1	21
..2	CN0220001007	FLAT CABLE 2PIN PITCH 2.0MM LENGTH 100MM	2	
..2	MT5101801	GROUNDING PLATE	2	
..2	MT5105509	SHAFT HOLDER	2	
..2	NM5106109	VELVET CARPET	2	
..2	NP251SNL12	NAME PLATE (GASKET)	2	
..2	PT5104301	PLASTIC PLATE	2	
..2	PT5104423	FIXED HOLDER	2	
..2	RN109111	E RING(9MM)	2	
..2	SC0303SIBI	SCREW	2	
..2	SC2605RBNI	SCREW	6	
..2	TWMT5105505	JOG WHEEL ASS'Y	2	
...3	MT5104407	METAL HOLDER	1	
...3	MT5105505	METAL SHAFT (JOG WHEEL)	1	
...3	MT5105506	SHAFT HOLDER	1	
..2	TWNP651SNL32	SHADER SHEET ASS'Y	2	
...3	MT3210070	PLATE	2	
...3	MT5104408	HOLDER (METAL)	1	
...3	NP651SNL32	SHADER SHEET	1	
...3	RN0416001	16MM CS RING	1	
..2	TWPC11S01301	PCB ASS'Y WHEEL	1	
...3	PC11S013	PCB WHEEL	1	
...3	TWPC11S013A01	PCB ASS'Y WHEEL LED	2	19
....4	CS104K5003X7R	CHIP CAP 0.1UF/50V,X7R,+/-10%, SMD 0603	8	C9~16
....4	ICTC74VHC595FT	IC TC74VHC595FT TSSOP16	8	IC9~16
....4	LDKPT1608SECKKM	LED ORANGE SMD 0603 120DEG	64	LD73~99, 100~136
....4	LDKPT-2012QWF-D	LED WHITE SMD 0805	3	LD25, 26, 71
....4	LDKPTC2012SURCK	RED LED KPTC2012 SURCK 0805	3	LD27, 28, 69
....4	PT5104425	FIXED PLASTIC	1	
....4	RS001K10F03	CHIP RES. 1K Ω 1% SMD 0603	64	R10~12, 78~99, 100~138
....4	RS010K10F03	CHIP RES. 10K Ω 1% SMD 0603	1	R5
....4	RS068010F03	CHIP RES. 680 Ω 1% SMD 0603	6	R1~4, 6, 8
....4	TE962540801	CONNECTOR FEMALE HEADER 180°PITCH 2.54MM 4PINX2	1	CN2
...3	TWPC11S013B01	PCB ASS'Y METER LED	1	38
....4	LDKPT1608SECKKM	LED ORANGE SMD 0603 120DEG	2	LD5, 11
....4	LDKPTD-1608CGCK	LED YELLOW GREEN 0603 SMD 60DEG	18	LD6~10, 12~24
....4	LDLTST-C190KRKT	LED RED (3-20-0011)	4	LD1~4
....4	RS006810F03	CHIP RES. 68 Ω 1% SMD 0603	6	R72~77
....4	RS015010F03	CHIP RES. 150 Ω 1% SMD 0603	6	R66~71
....4	TE992541201	CONNECTOR BOX HEADER 180° PITCH 2.54MM DUAL ROW	1	CN9
...3	TWPC11S013C01	PCB ASS'Y JOG	2	
....4	CN0420001006	CONNECTOR WIRE 4P/2.0/100MM	1	CN1
....4	DIHEDS-9700F50	SMALL OPTICAL ENCODER MODULES DR40	1	ENC1
...3	TWPC11S013D01	LEFT SWITCH PCB ASS'Y	1	36
....4	AA428998J	D SILICON C.1SS355TE-17 T08E	3	D28~30
....4	LDKPT1608SECKKM	LED ORANGE SMD 0603 120DEG	1	LD50

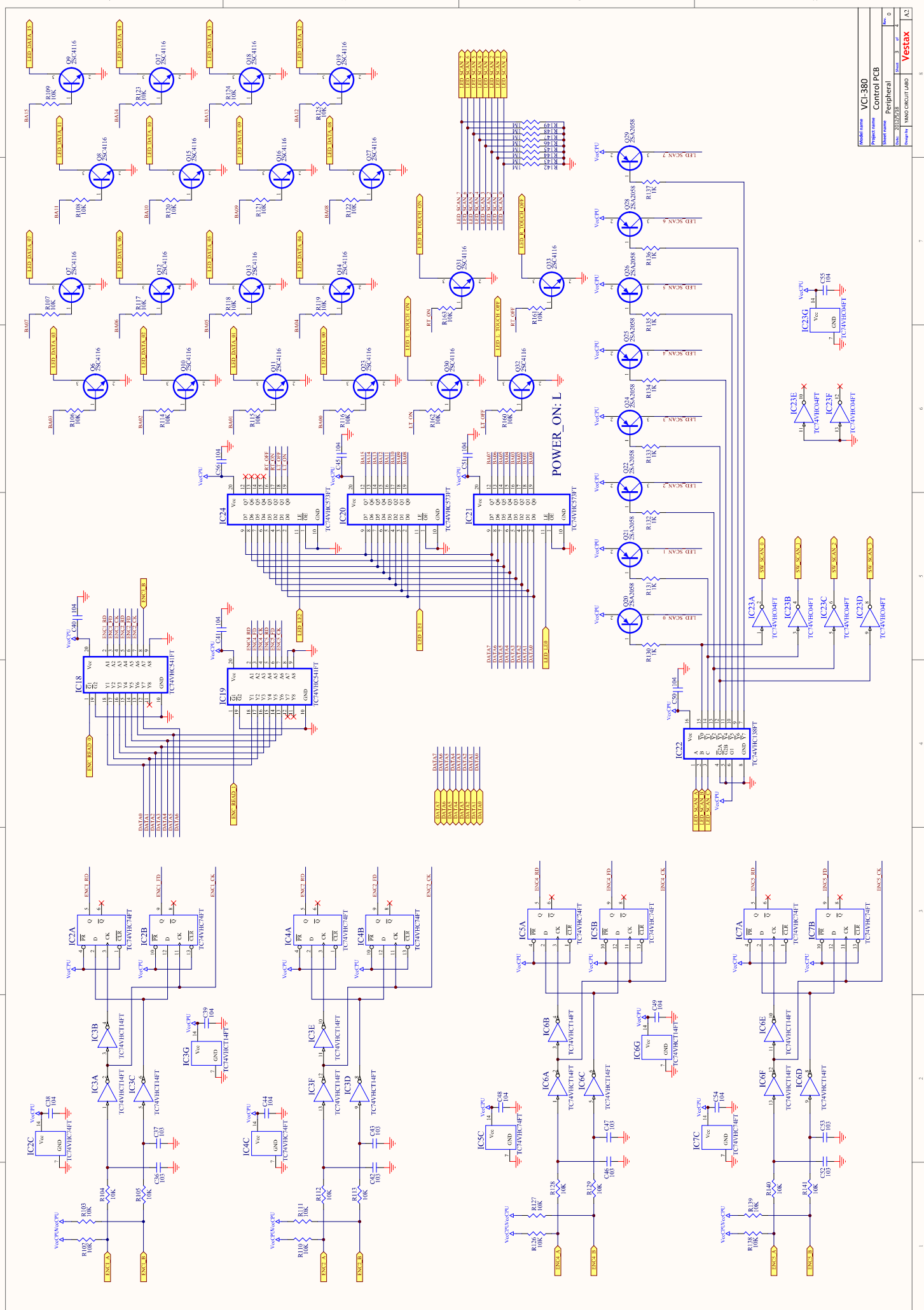
Lvl	Materials	SPECS	Qty	Part Location
....4	LDKPTD-1608CGCK	LED YELLOW GREEN 0603 SMD 60DEG	1	LD51
....4	LDPTV1608SYEC	LED SUPER BRIGHT YELLOW, WATER CLEAR, 0603SMD	1	LD49
....4	RS006810F03	CHIP RES. 68 Ω 1% SMD 0603	1	R152
....4	RS015010F03	CHIP RES. 150 Ω 1% SMD 0603	2	R150, 151
....4	TE362001001	PIN SOCKET 2.0MM 5PIN*2 DIP	1	CN17
...3	TWPC11S013E01	RIGHT SWITCH PCB ASS'Y	1	27
....4	AA428998J	D SILICON C.1SS355TE-17 T08E	3	D31~33
....4	LDKPT1608SECKKM	LED ORANGE SMD 0603 120DEG	1	LD53
....4	LDKPTD-1608CGCK	LED YELLOW GREEN 0603 SMD 60DEG	1	LD54
....4	LDPTV1608SYEC	LED SUPER BRIGHT YELLOW, WATER CLEAR, 0603SMD	1	LD52
....4	RS006810F03	CHIP RES. 68 Ω 1% SMD 0603	1	R155
....4	RS015010F03	CHIP RES. 150 Ω 1% SMD 0603	2	R153, 154
....4	TE362001001	PIN SOCKET 2.0MM 5PIN*2 DIP	1	CN18
..2	WS113008204IB	WASHER	2	
.1	TWTSSNC130101	AUDIO DRIVER CD ASSY	1	
..2	BC141302	BUBBLE BAG (T)10X(0)135X140MM	1	
..2	TSSNC1301	SNC13 DRIVER CD	1	
.1	WS073307IC	WASHER	3	55
.1	WS104205IZ	WASHER	2	17
.1	WS663309IC	SPRING WASHER 3M/M	1	57

FIRMWARE_UPDATE

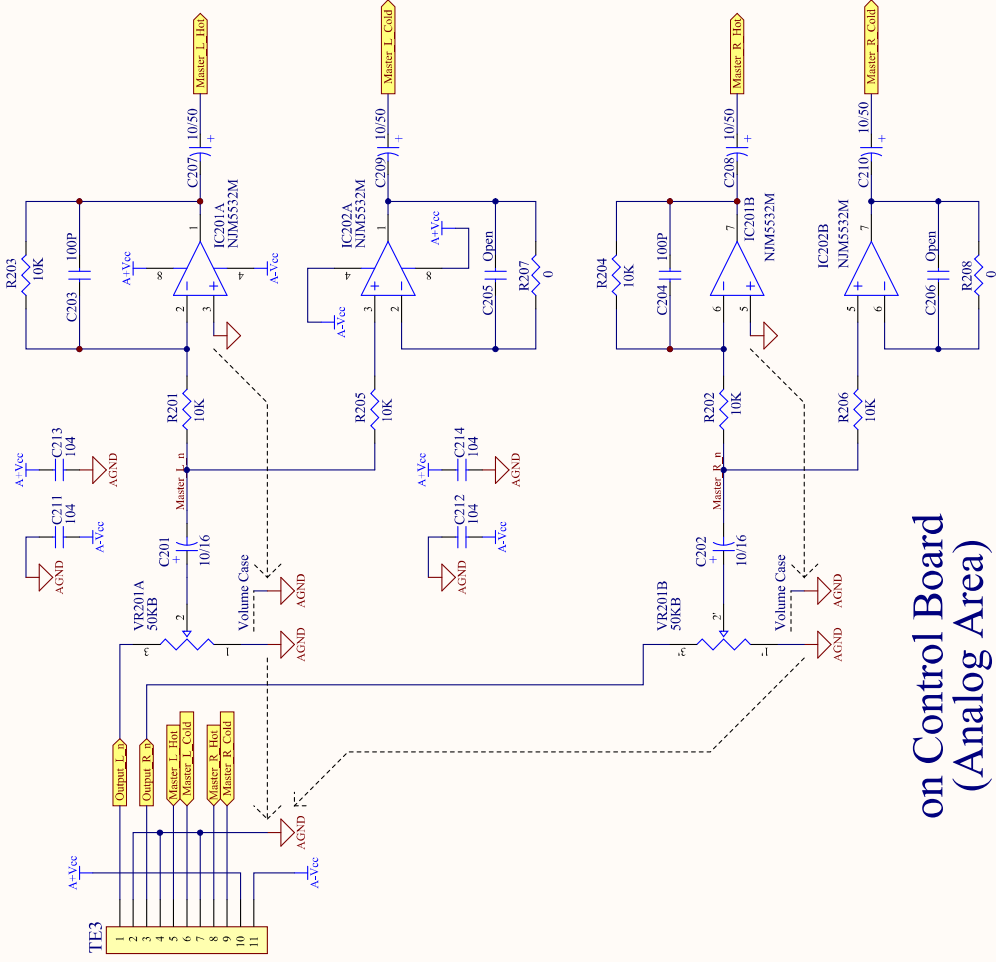


Model name	VCI-380
Project name	Control PCB
Sheet name	CPU
Date	2022/9/15
Drawn by	WANG CIRCUIT LAB.
Sheet No.	1 of 1
Page No.	1 of 1



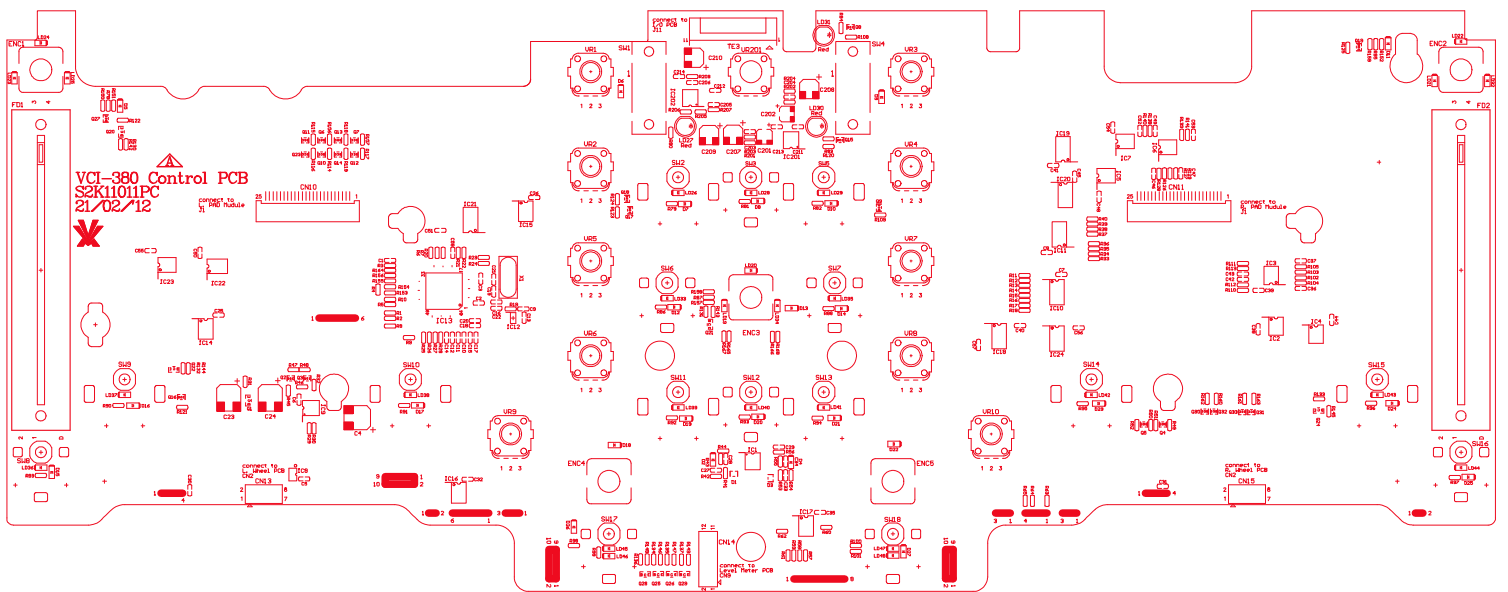


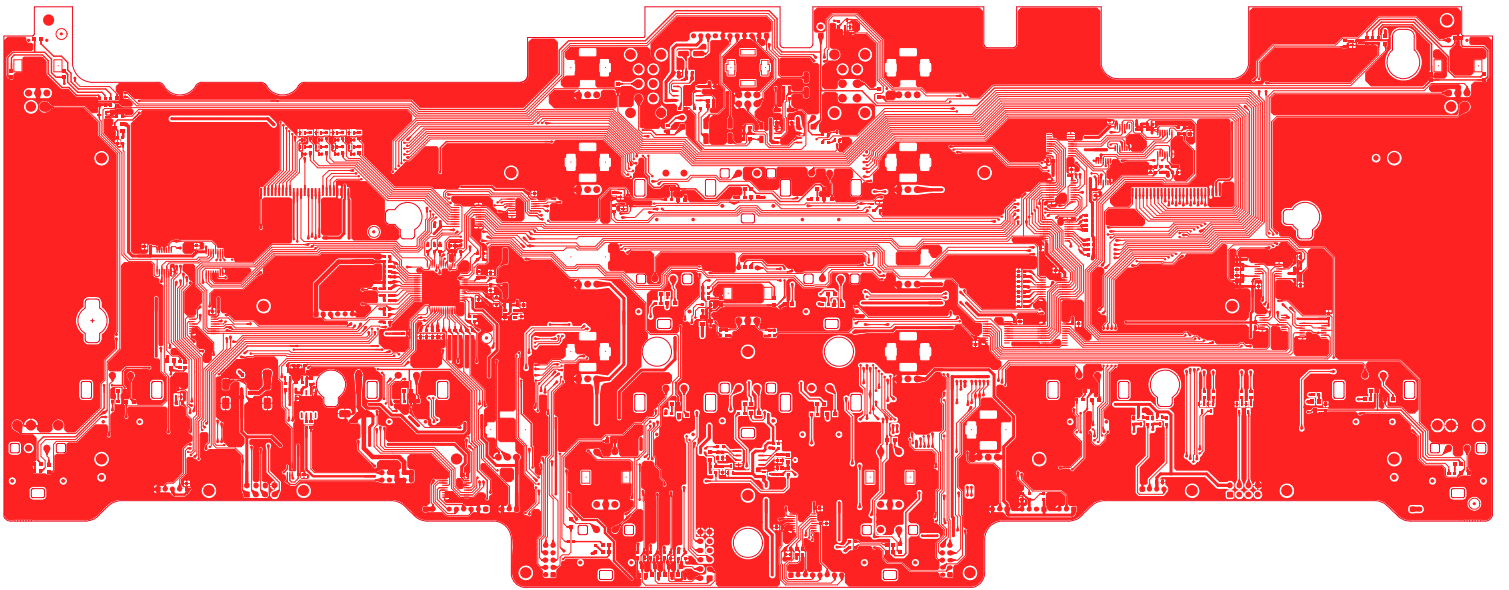
Model Name	VCI-380
Project Name	Control PCB
Sheet Name	Peripheral
Sheet No.	0
Date	2023/03/15
Drawn By	WANG CIRCUIT LAB
Checked By	Vestax

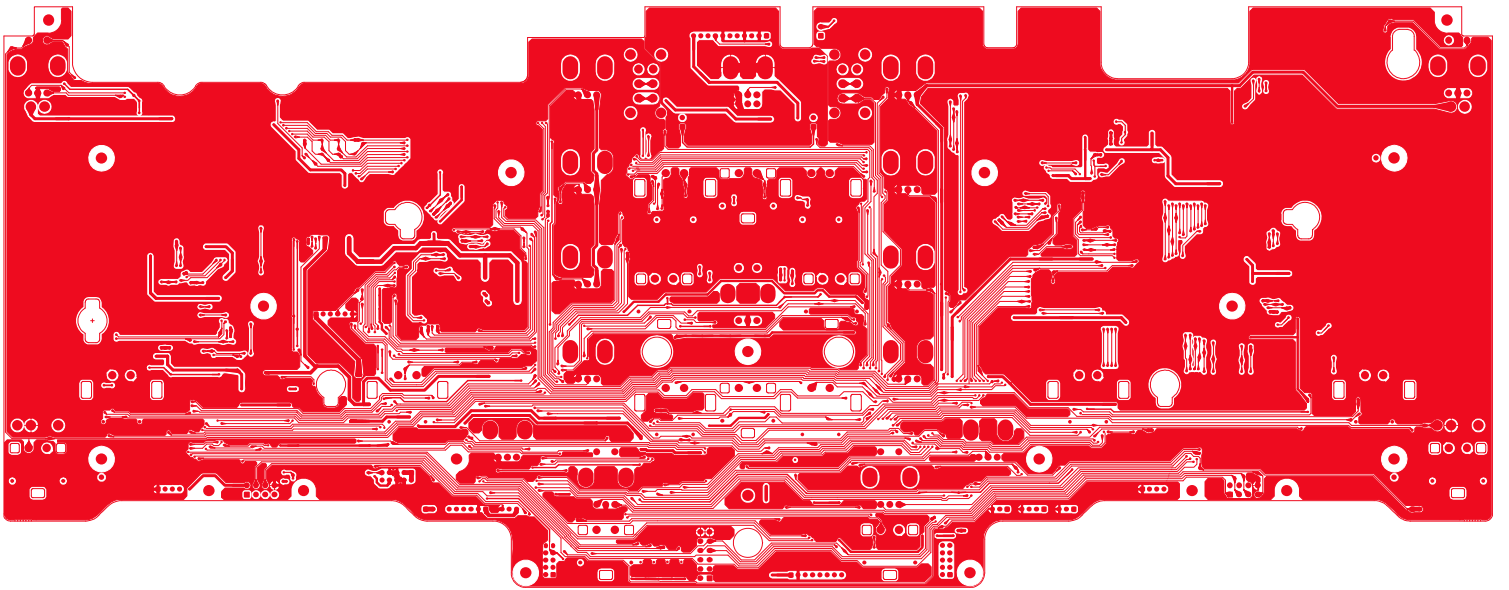


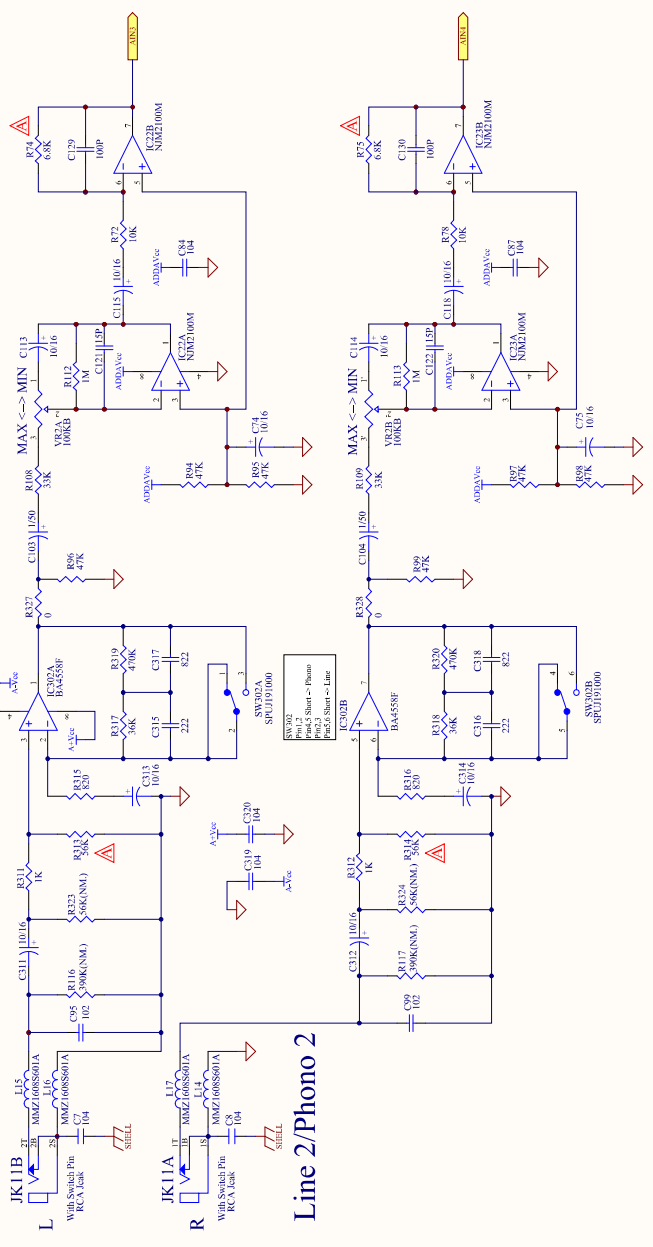
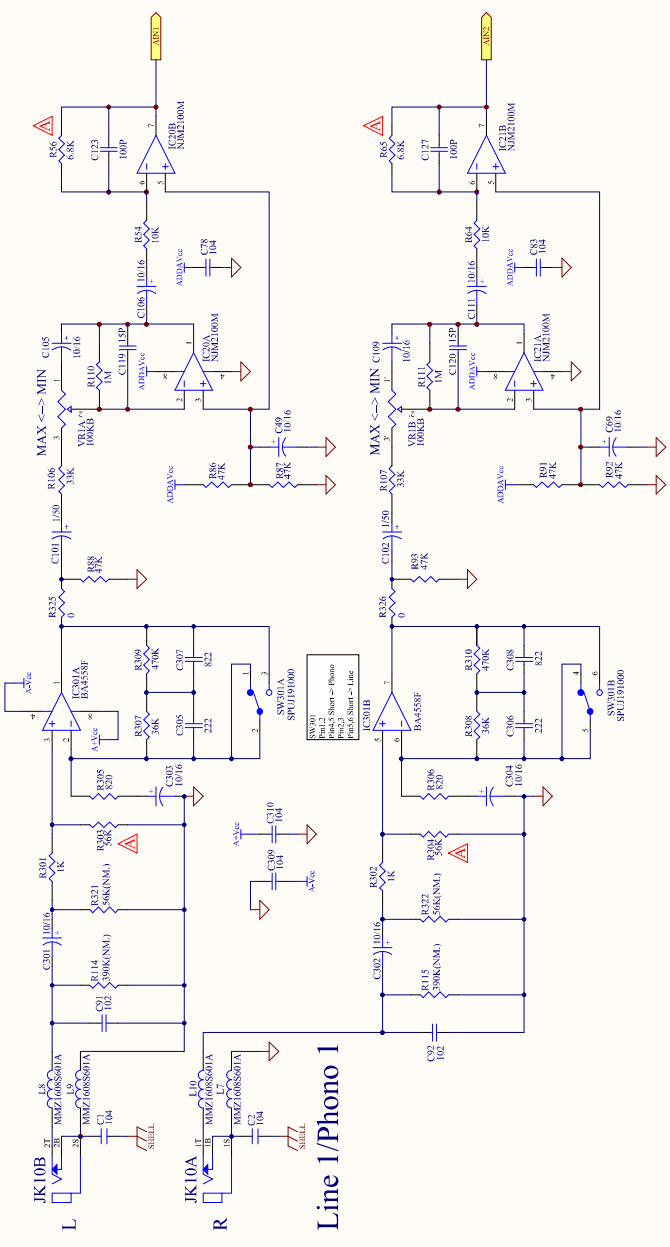
on Control Board (Analog Area)

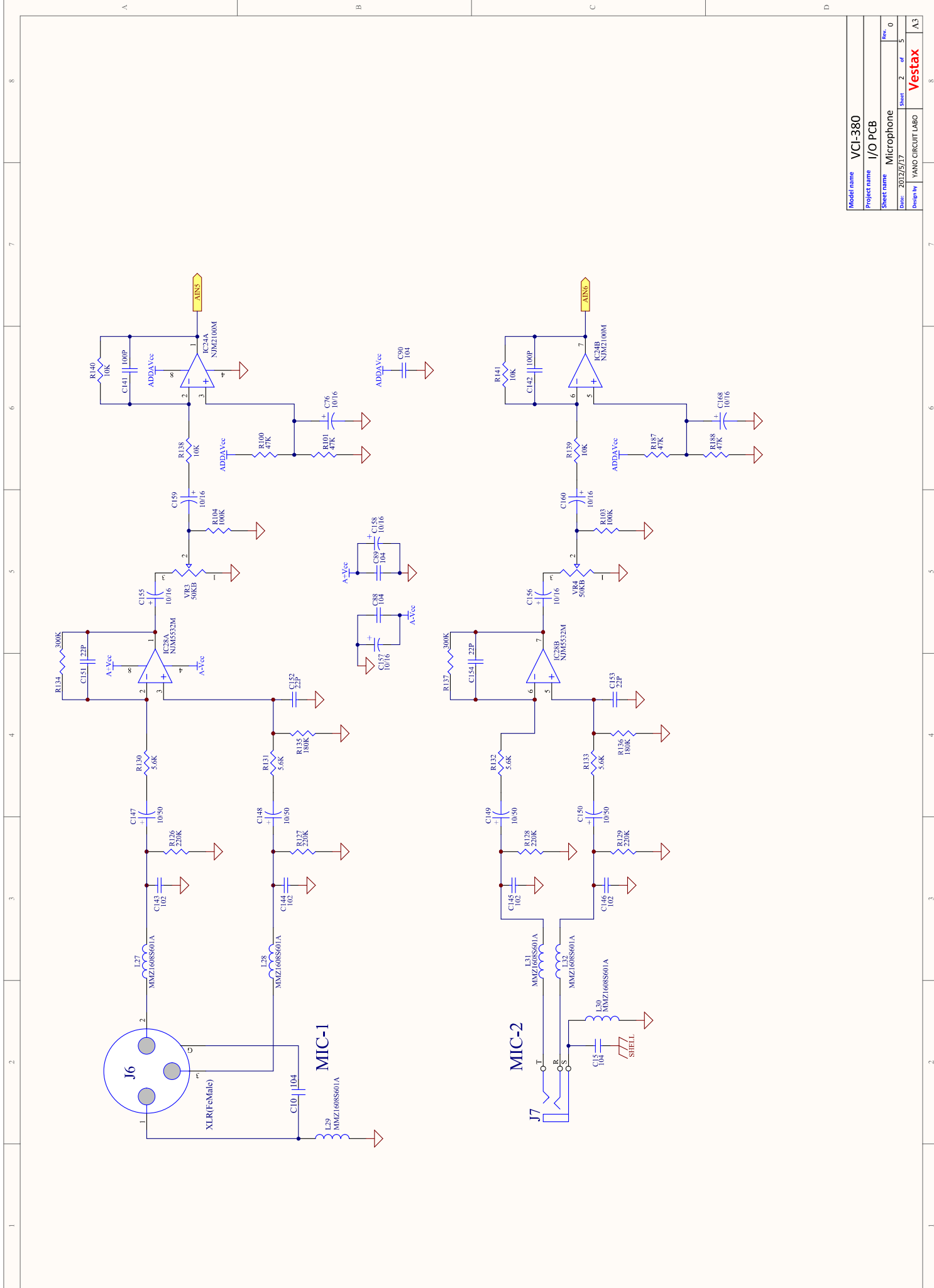
Model name	VCI-380
Project name	Control PCB
Sheet name	Output Level
Date	2012/5/18
Designer	YANG CIRCUIT LABO
Sheet	4 of 4
	Vestax



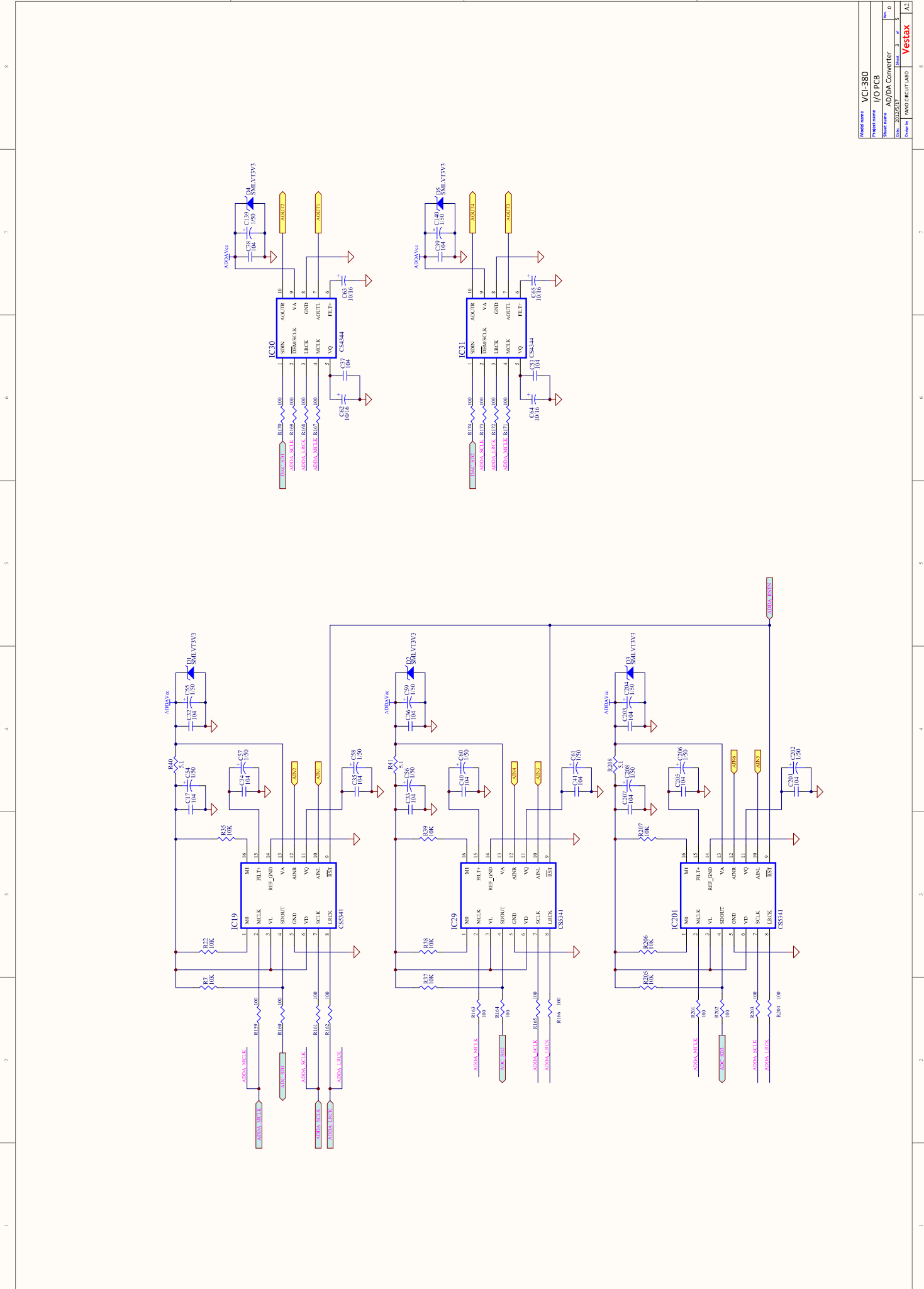


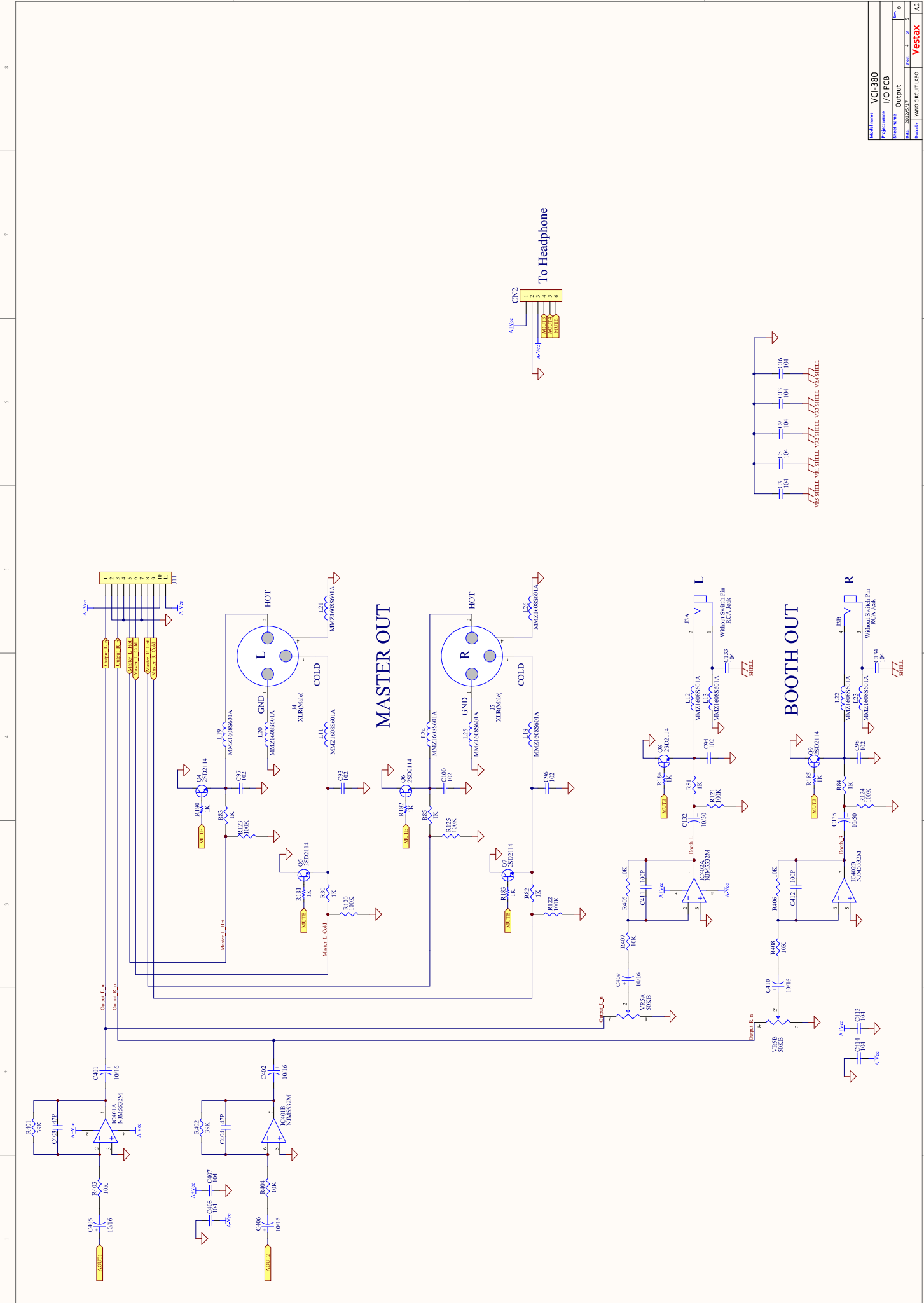






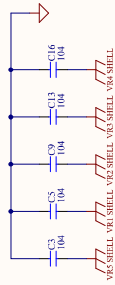
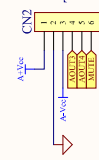
Model name	VCI-380
Project name	I/O PCB
Sheet name	Microphone
Date	2022/5/17
Designer	YANG CIRCUIT LABO
Sheet	2 of 5
Rev	0
Company	Vestax



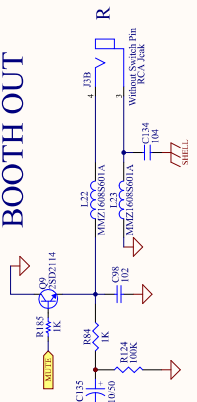


Model name	VCI-380
Project name	I/O PCB
Sheet name	Output
Date	2022/07/27
Drawn by	WANG CIRCUIT LAB
Rev	0
Scale	1:1
Sheet	2 of 2
Company	Vestax

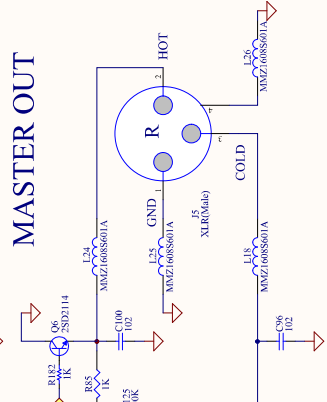
To Headphone

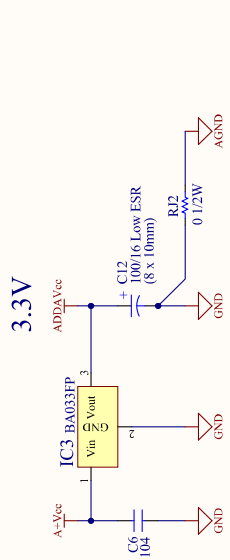


BOOTH OUT

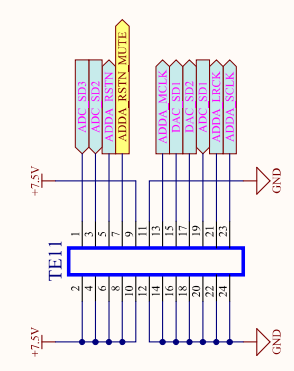
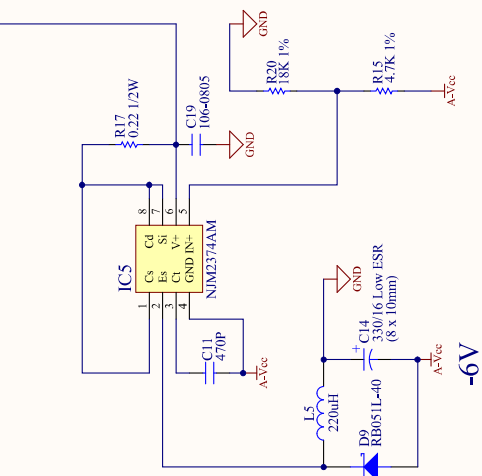
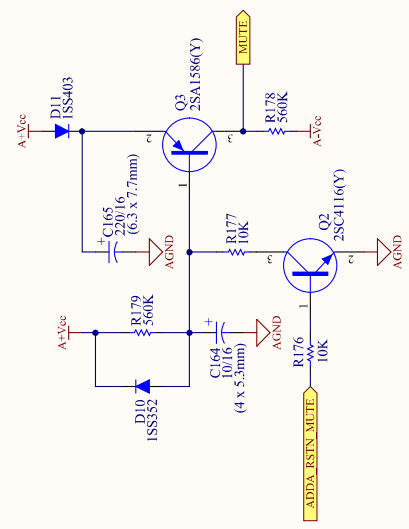
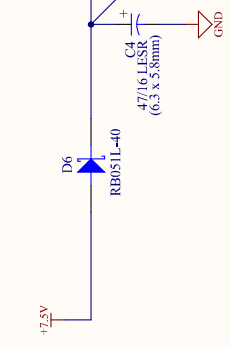
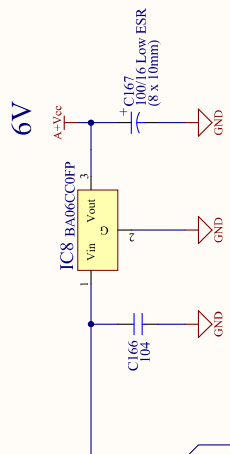


MASTER OUT

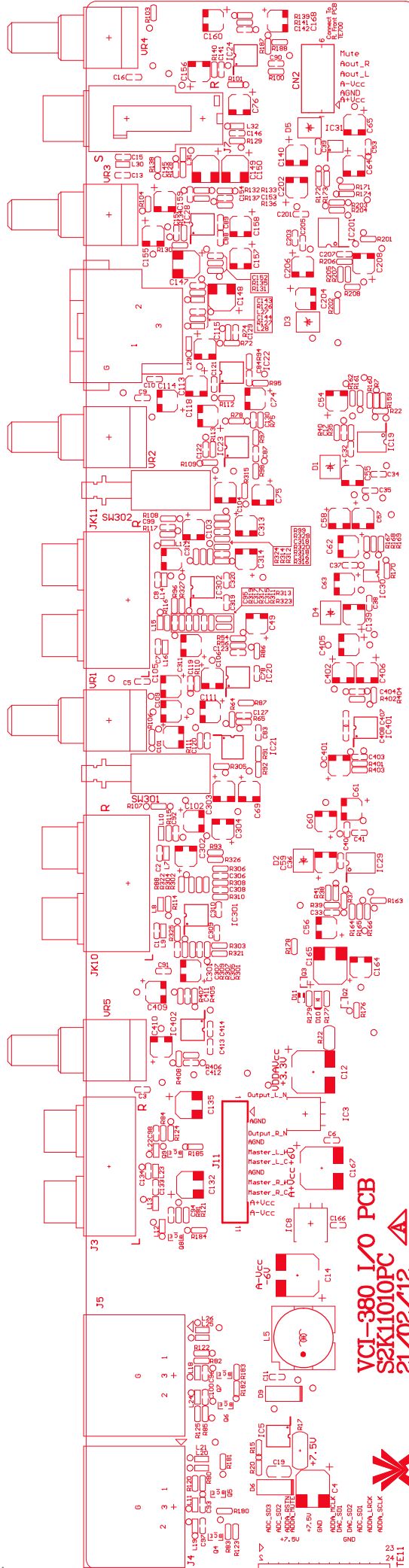




3.3V for ADC/DAC



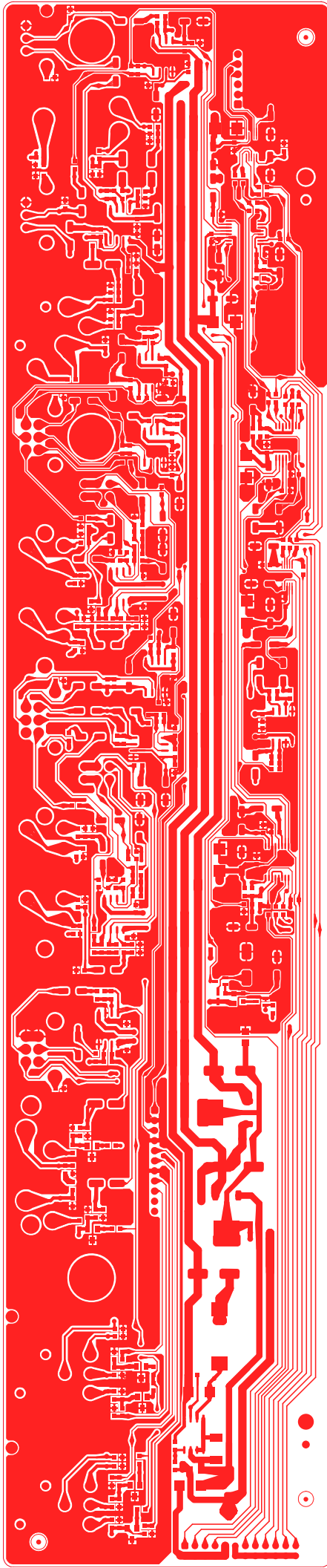
Model name	VCI-380
Project name	I/O PCB
Sheet name	DC to DC
Date	2012/5/17
Designer	YANG CIRCUIT LABO
Sheet	5 of 5
Rev	0
	Vestax



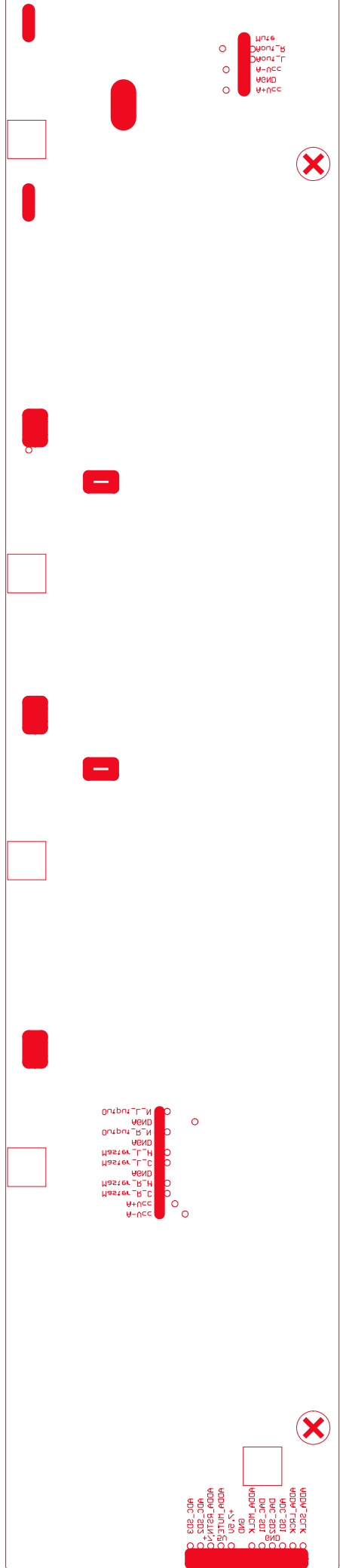
VCI-380 I/O PCB
S2K11010PC
21/02/12



TE11



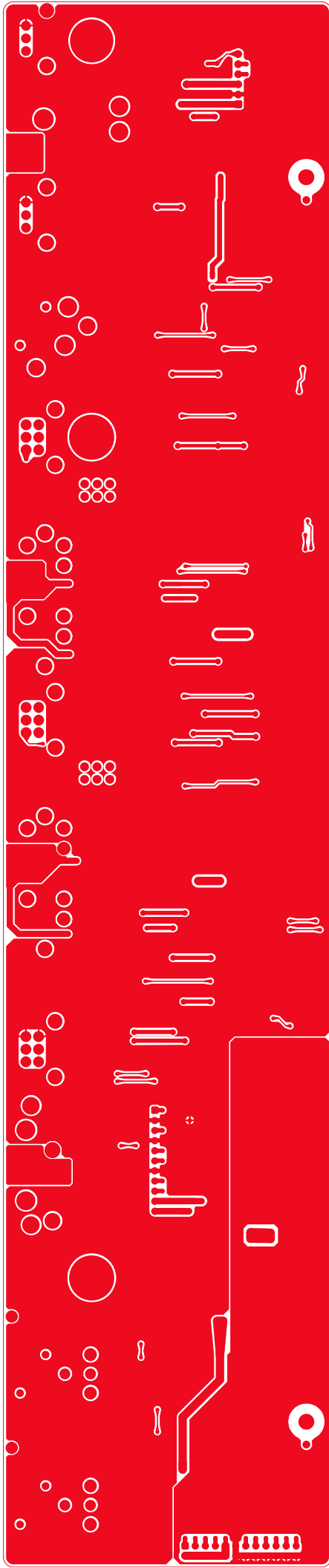
VDD16
 VDD17
 VDD18
 VDD19



VDD16
 VDD17
 VDD18
 VDD19

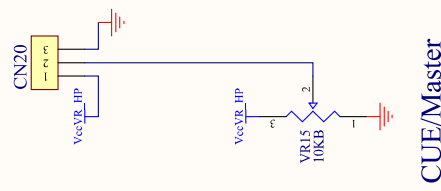
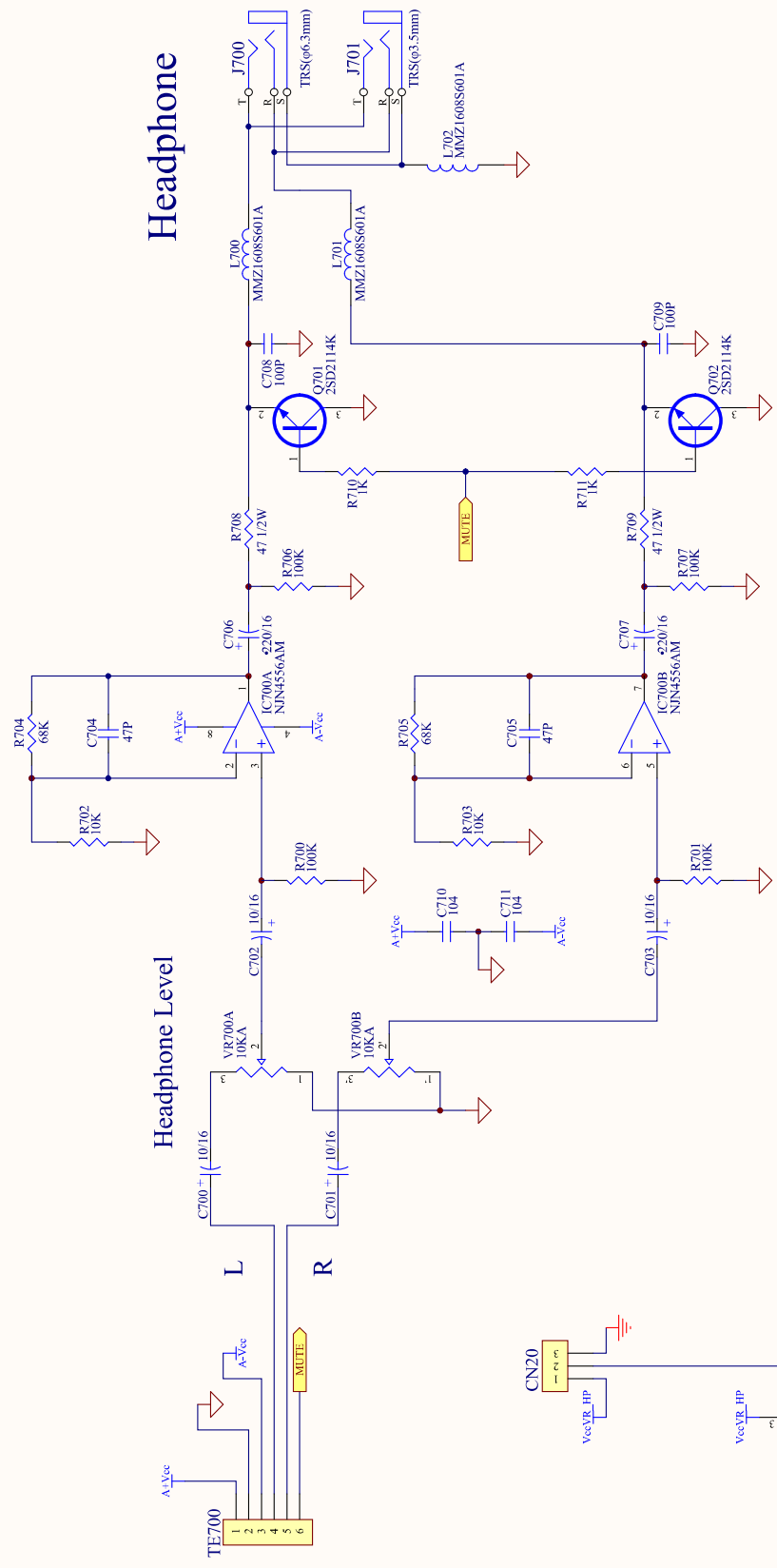


VDD16
 VDD17
 VDD18
 VDD19



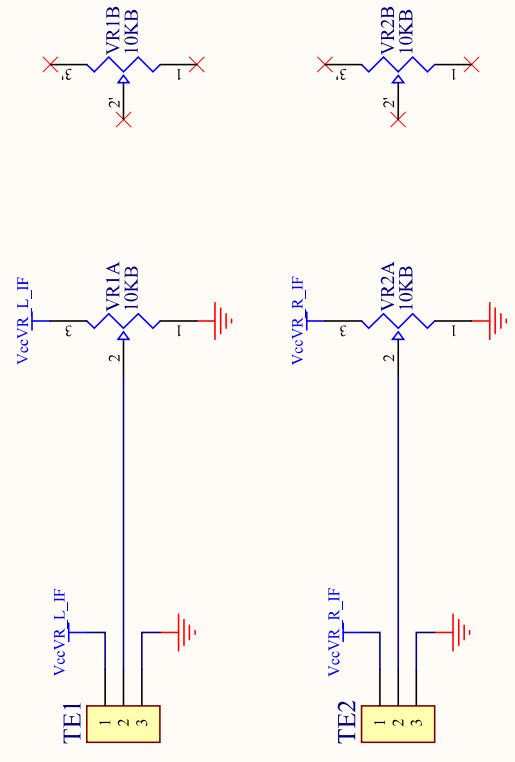
Headphone

Headphone Level

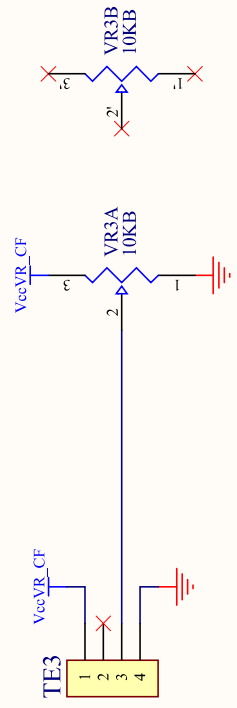


CUE/Master

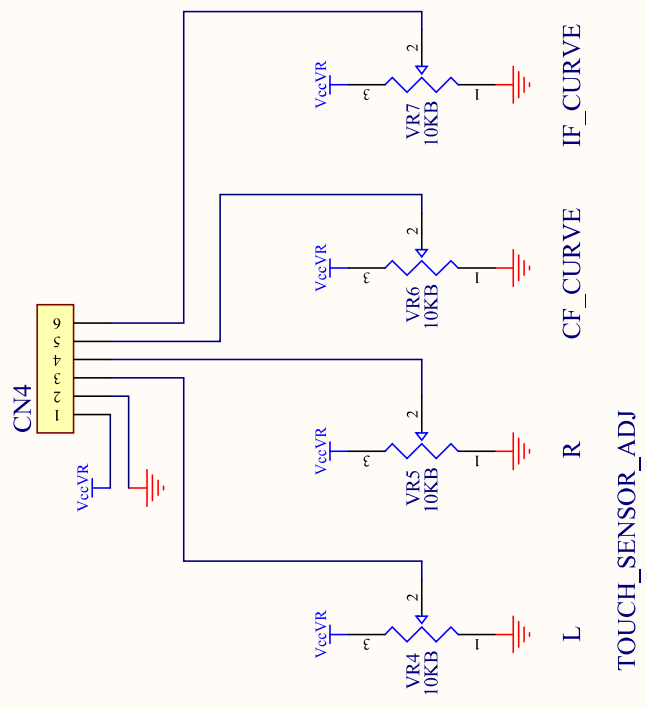
Model name	VCL-380
Project name	Small PCB
Sheet name	Headphone
Date	2012/5/17
Design by	YANG CIRCUIT LABO
Sheet	1 of 4
Rev	0
Vestax	



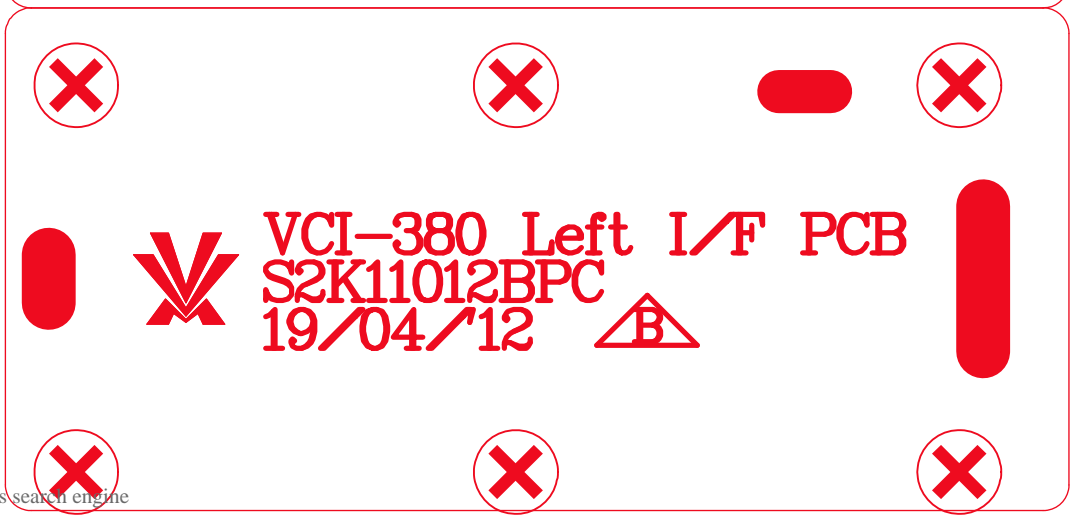
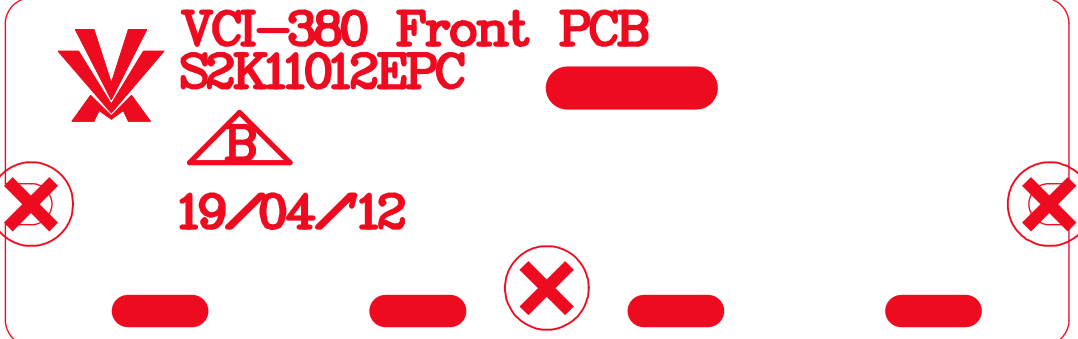
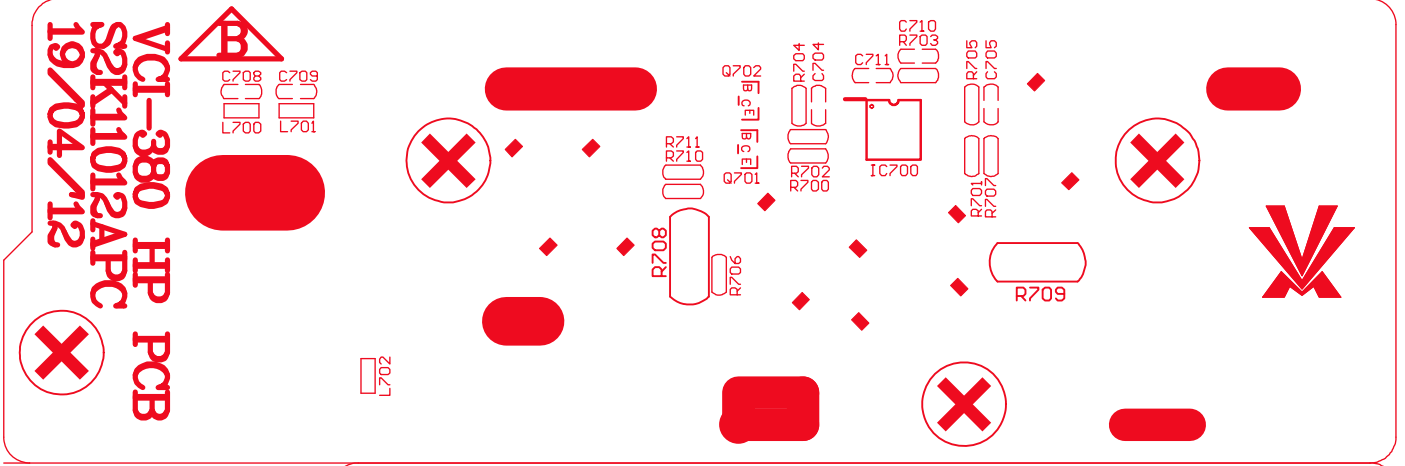
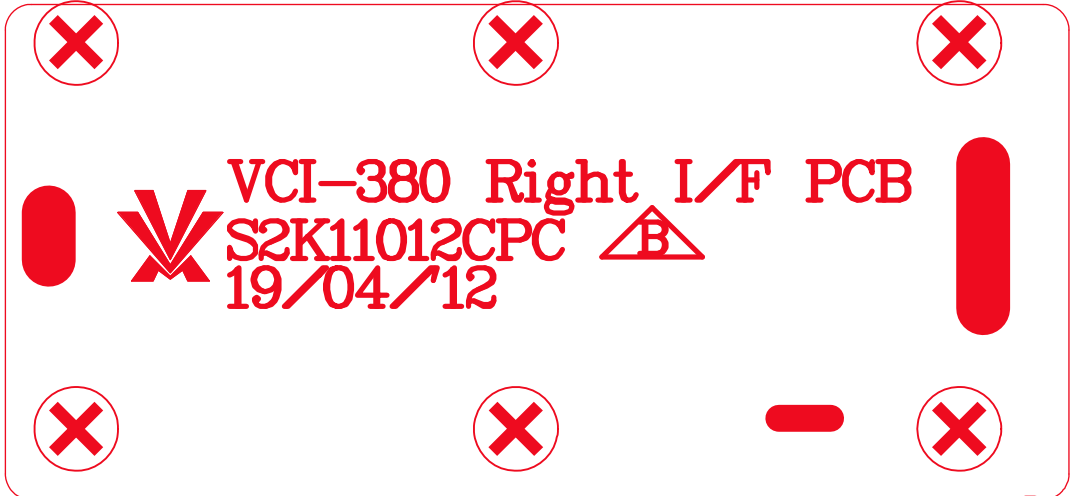
Model name	VCI-380
Project name	Small PCB
Sheet name	Input Fader
Date:	2012/5/17
Design by	YANO CIRCUIT LABO
Rev.	0
Sheet	2 of 4
Vestax	
A4	

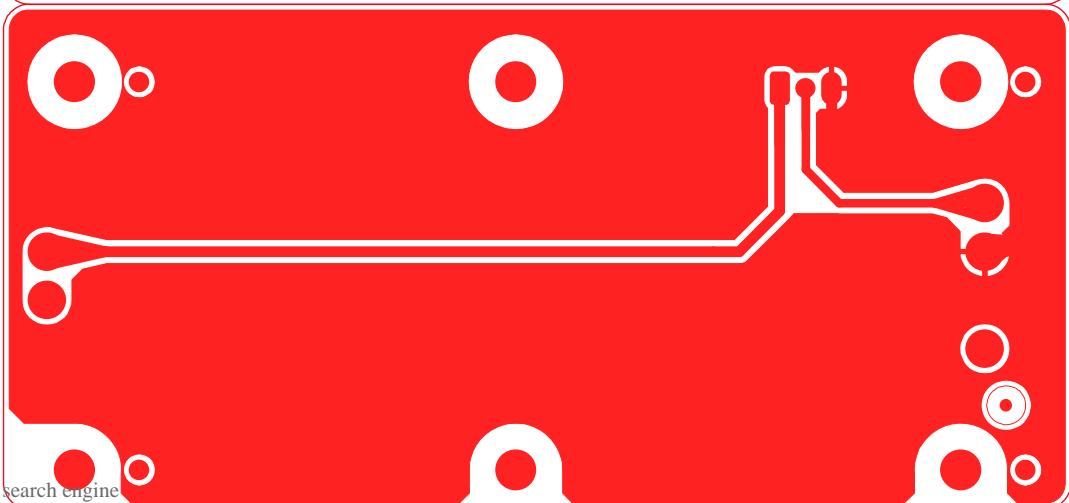
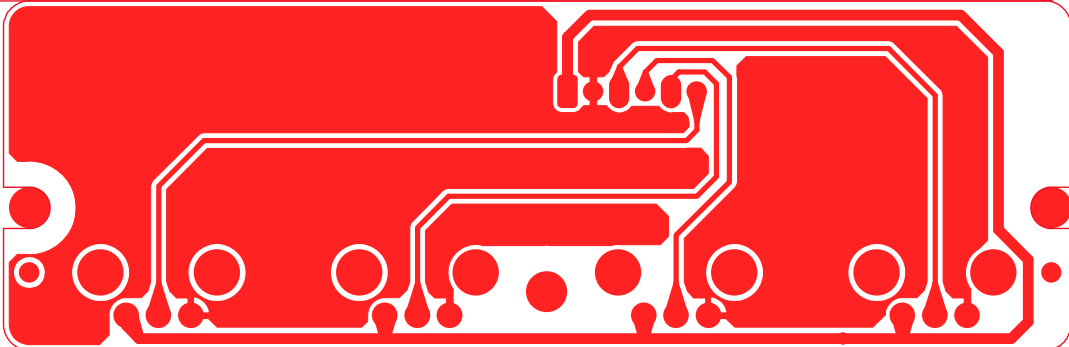
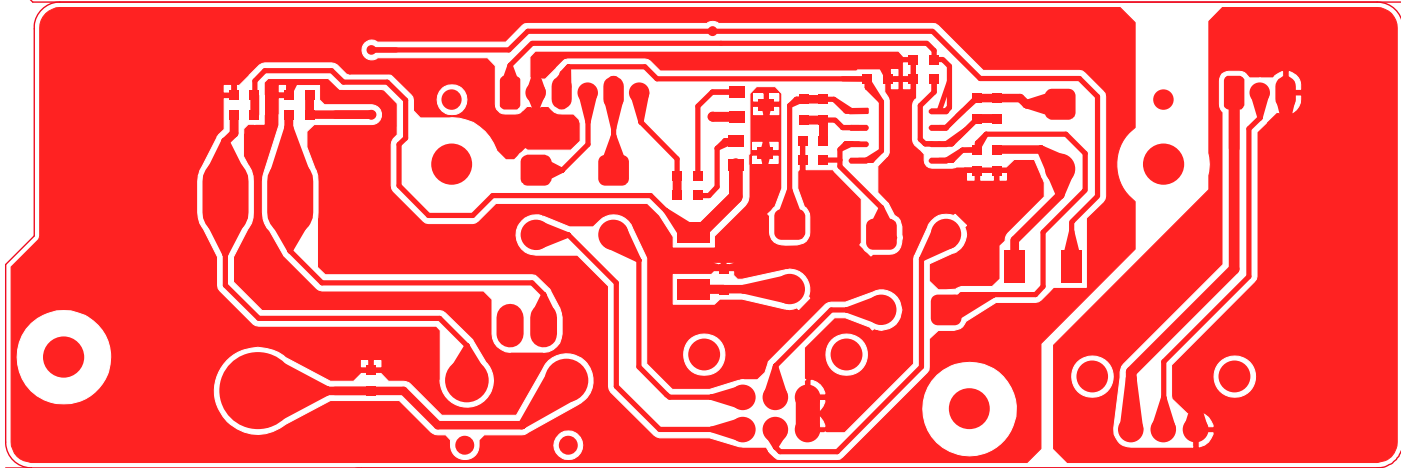
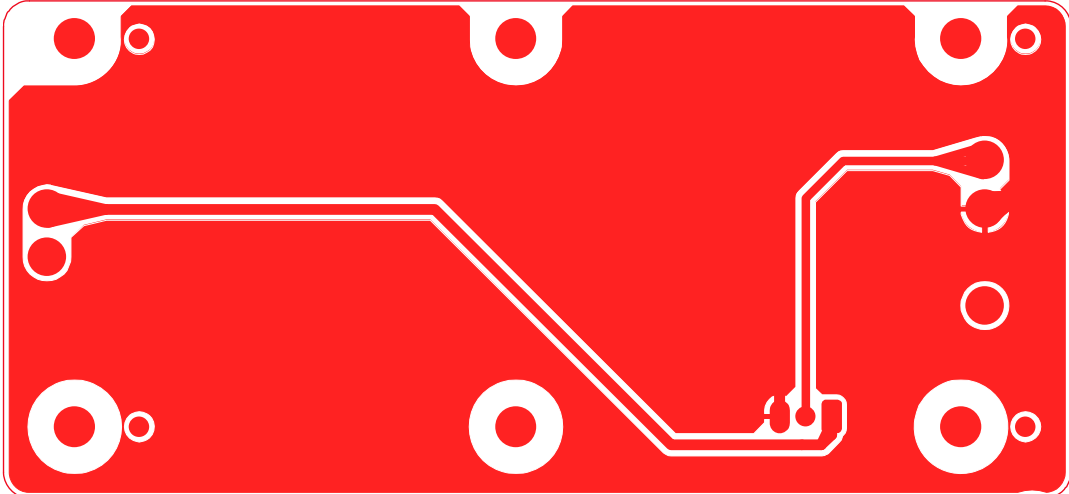


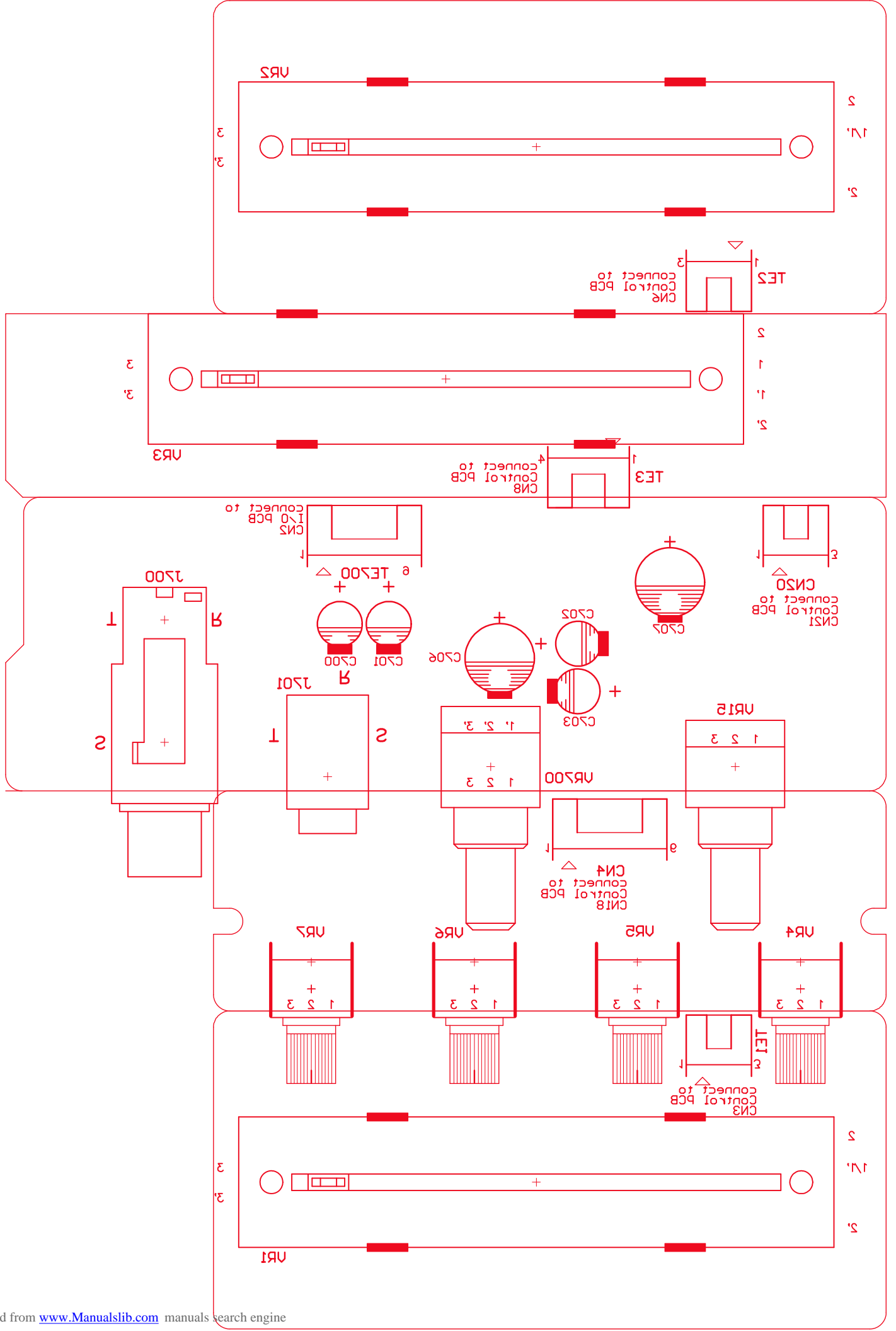
Model name	VCI-380
Project name	Small PCB
Sheet name	Cross Fader
Date:	2012/5/17
Design by	YANO CIRCUIT LABO
Rev.	0
Sheet	3 of 4
Vestax	
A4	

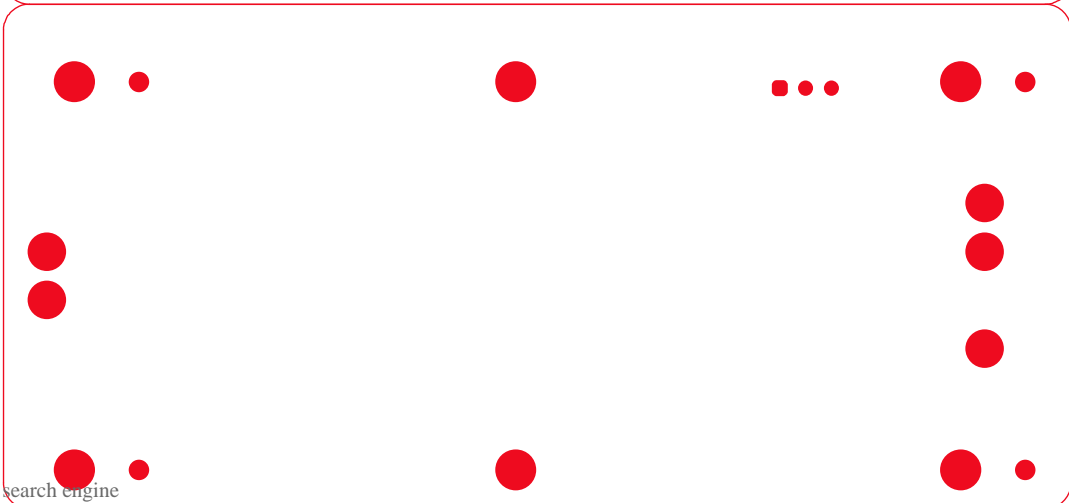
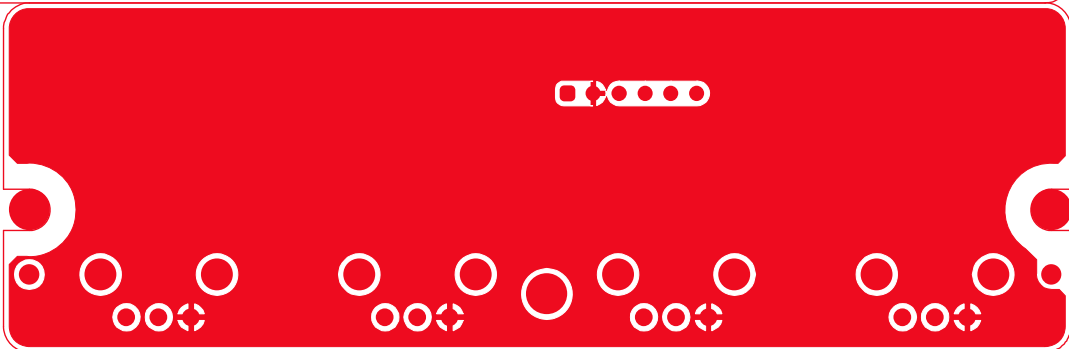
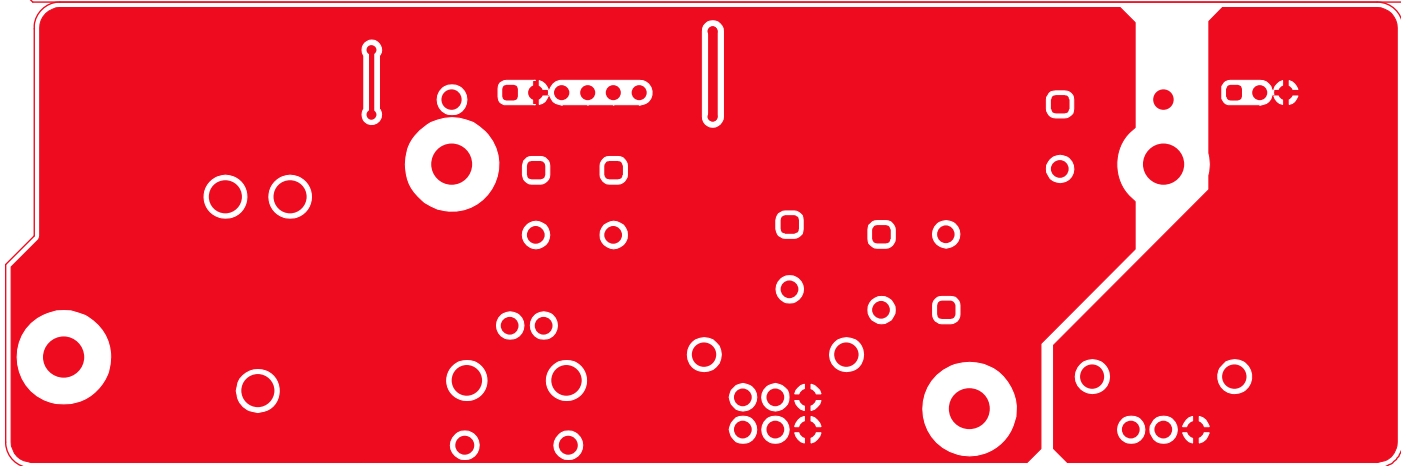
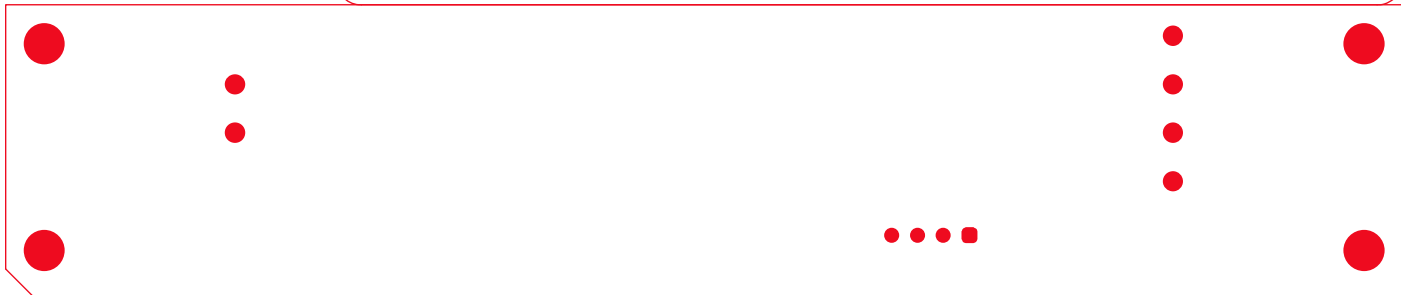
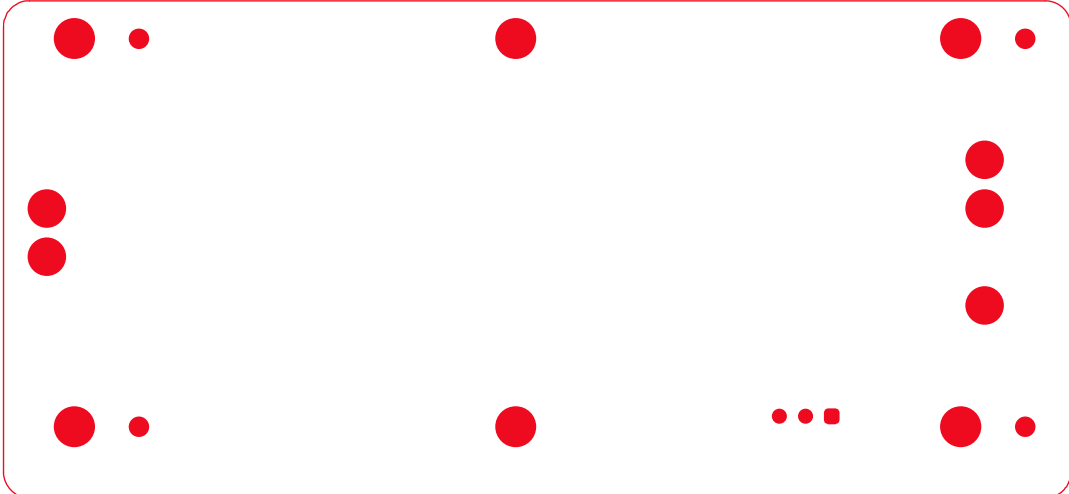


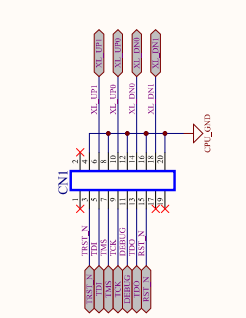
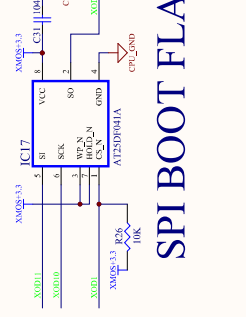
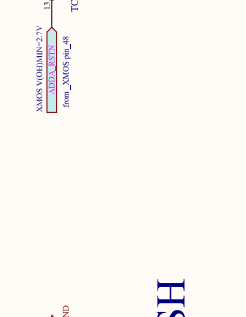
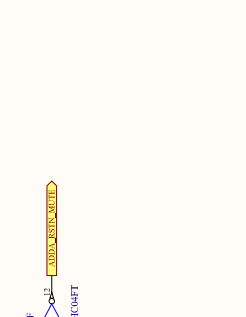
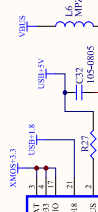
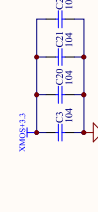
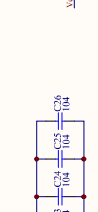
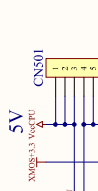
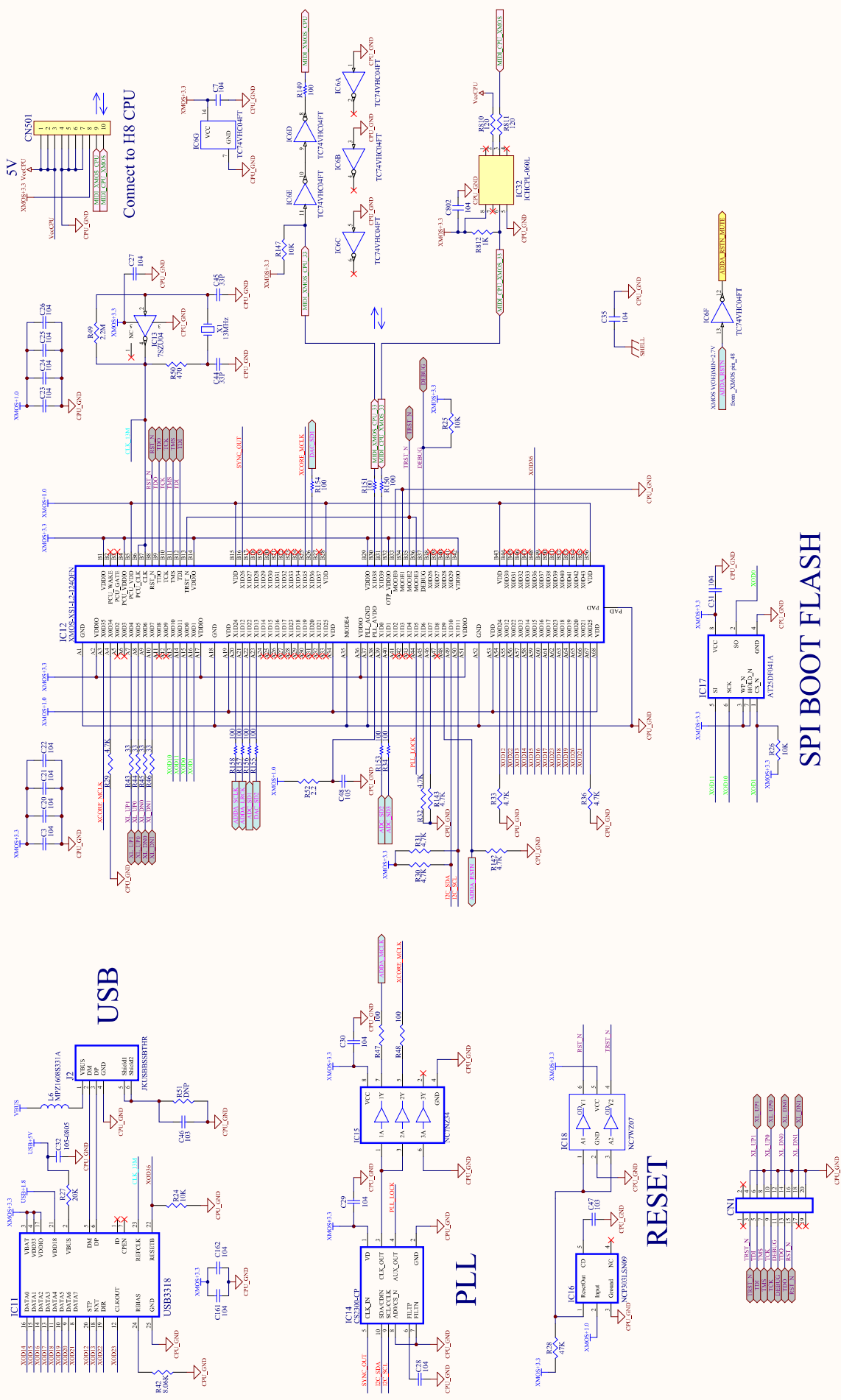
Model name	VCI-380
Project name	Small PCB
Sheet name	Front Panel
Date:	2012/5/17
Design by	YANO CIRCUIT LAB
Rev.	A
Sheet	4 of 4
Vestax	







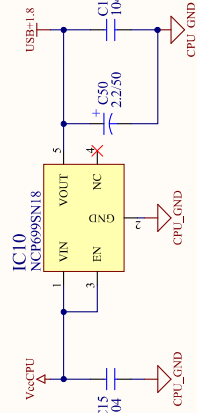
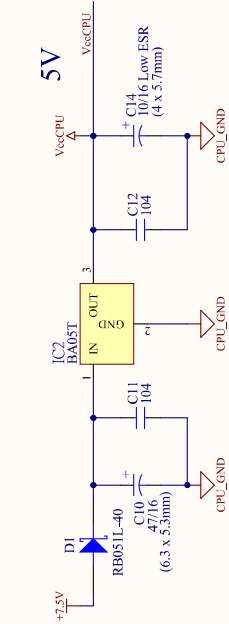
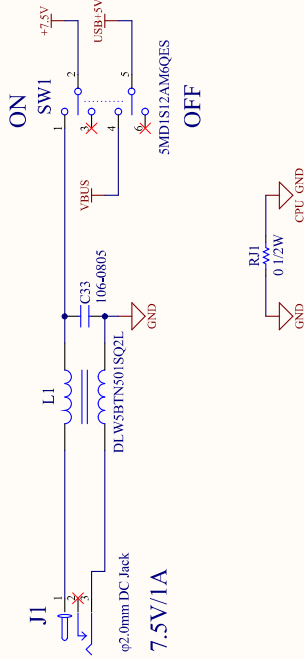




SPI BOOT FLASH

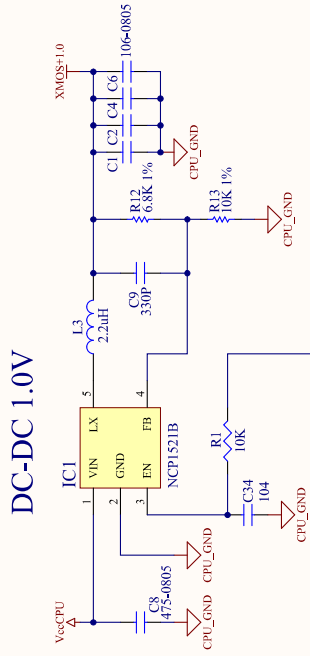
Model Name	VCI-380
Project Name	XMOS L2 PCB
Sheet Name	XMOS L2
Date	2022/07/13
Rev	0
Drawn By	WMO
Checked By	
Approved By	
Company	Vestax

Power Switch

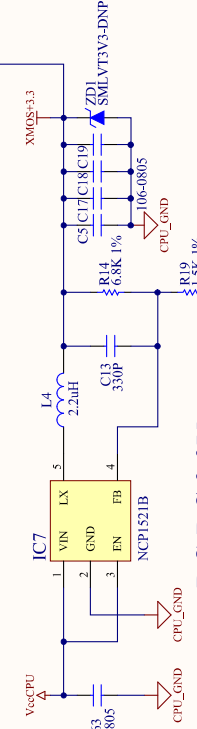


DC-DC 1.8V

Near to USB3318 (IC11)

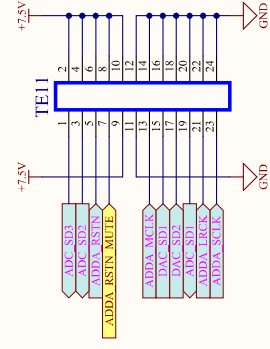


DC-DC 1.0V



DC-DC 3.3V

Near to XMOS L2 (IC12)



Model name	VCI-380
Project name	XMOS L2 PCB
Sheet name	Power
Date	2012/5/17
Designer	YANG CIRCUIT LABO
Sheet	2 of 2
Rev	A
Vestax	

