

SERVICE MANUAL

MODEL:VCI-400



SPECIFICATION

Features:

- > Flexible 4 channel design
- > Universal panel design compatible with every DJ software
- > Multi – mode transport switches
- > Blank decks for free MIDI Mapping
- > Power USB 2.0 audio interface with XLR output

MINIMUM SYSTEM REQUIREMENTS (Operating System)

WINDOWS

- OS: Windows XP (SP3, 32bit) or Window Vista (32bit / 64bit) or 7 (32bit / 64bit)
- CPU: Core DUO 1.4GHz(SSE1) or higher
- RAM : 1GB or higher
- CD-ROM (or DVD-ROM) drive, USB port, Hard disk space for music data.
* VCI-400 does not support Intel Celeron, Atom and AMD CPU.

MAC OS

- OS: 10.6 or higher
- CPU: Core DUO 1.66GHz(SSE1) or higher
- RAM: 1.0GB or higher
- CD-ROM (or DVD-ROM) drive, USB port, Hard disk space for music data.
* VCI-400 does not support PowerPC and Mac OS 10.5

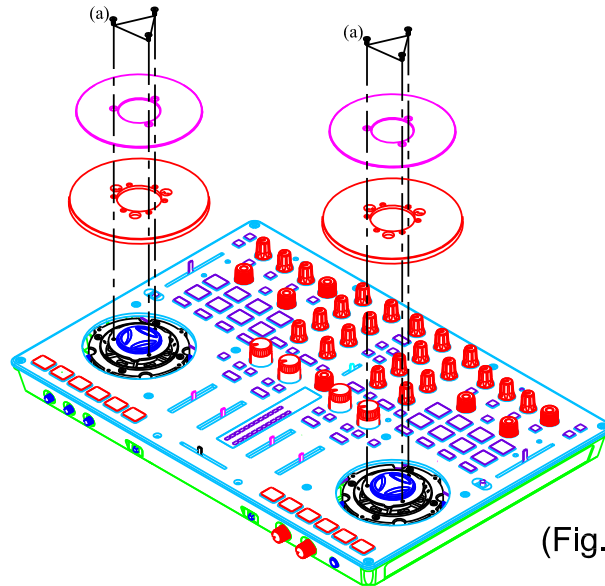
POWER SUPPLY • OTHERS

POWER ADAPTOR :	DC 7.5 1A
VOLTAGE :	5V (USB POWER)
DIMENSIONS :	457(W) x 328(D) x 61(H) [Knobs Size: 15(D) x 20(H)]mm
WEIGHT :	4.5 Kg

DISASSEMBLY PROCEDURES

1. REMOVAL OF PLASTIC HOLDER OF JOG WHEEL ASS'Y. (Fig. 1)

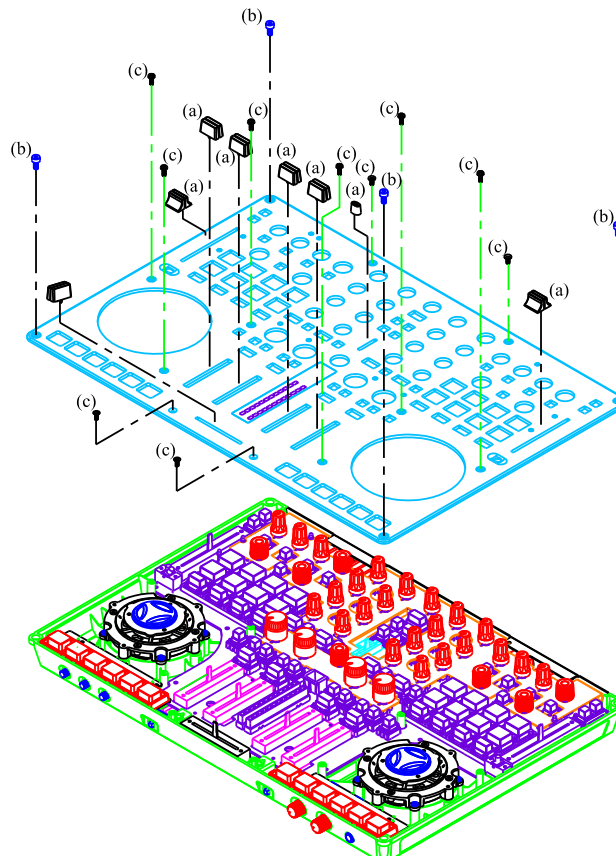
- (a) Remove 3pcs of screw each side from Plastic Holder of Jog Wheel.



(Fig. 1)

2. REMOVAL OF FRONT PANEL ASS'Y. (Fig. 2)

- (a) Remove 8pcs of knobs from the front panel.
- (b) Unscrew or remove 4pcs of screw from the front panel.
- (c) Remove 10pcs of screw from the front panel.

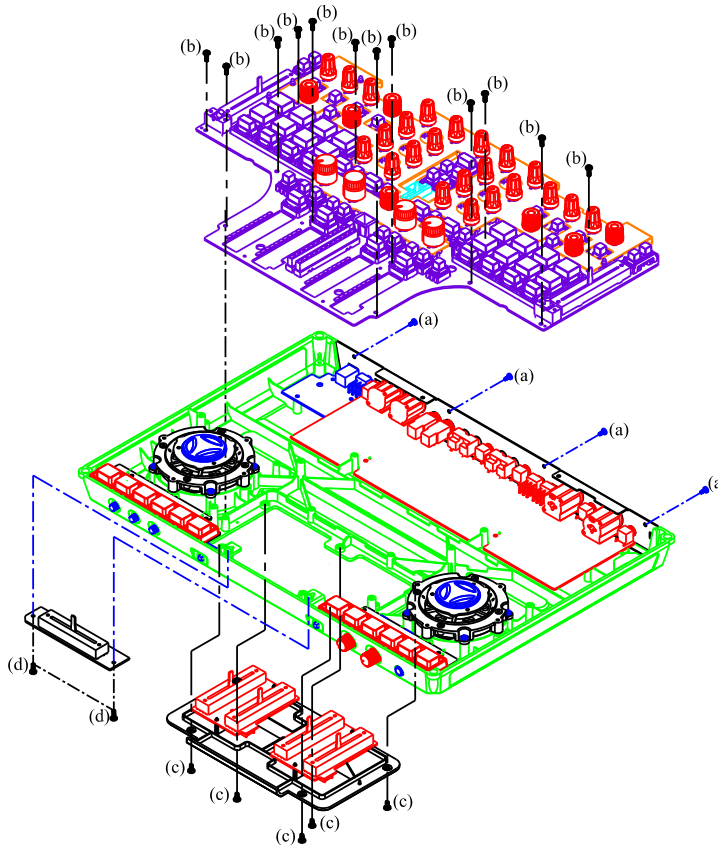


(Fig. 2)

DISASSEMBLY PROCEDURES

3. REMOVAL OF PCBA FROM BOTTOM BOARD. (Fig. 3)

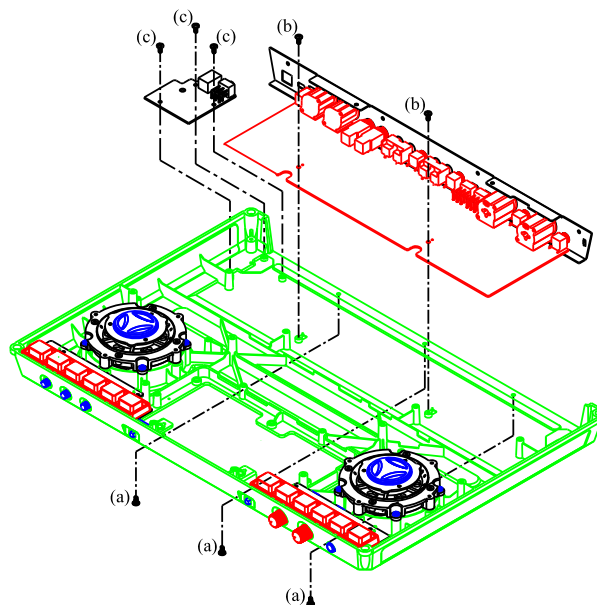
- (a) Remove 4pcs of screw from Rear Panel.
- (b) Remove 12pcs of screw from PCB Ass'y (Controller).
- (c) Remove 5pcs of screw from PCB Ass'y (Input Fader_Right / Left).
- (d) Remove 2pcs of screw from PCB Ass'y (Cross Fader).



(Fig. 3)

4. REMOVAL OF PCB ASS'Y FROM BOTTOM BOARD. (Fig. 4)

- (a) Remove 3pcs of screw from bottom board.
- (b) Remove 2pcs of screw from PCB Ass'y (I/O).
- (c) Remove 3pcs of screw from PCB Ass'y (L2).

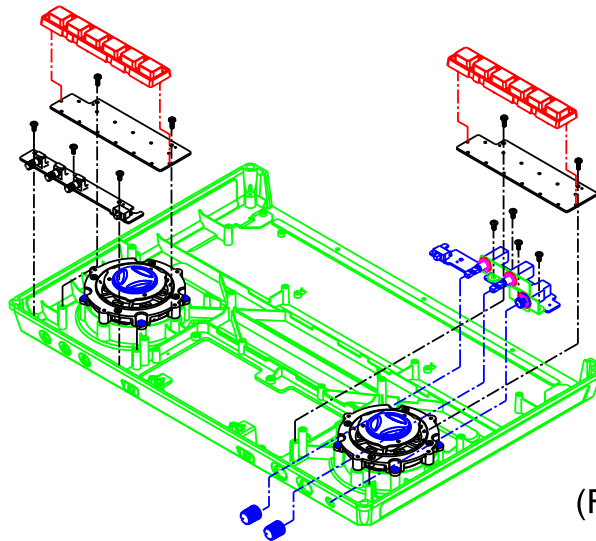


(Fig. 4)

DISASSEMBLY PROCEDURES

5. REMOVAL OF PCB ASS'Y FROM BOTTOM BOARD. (Fig. 5)

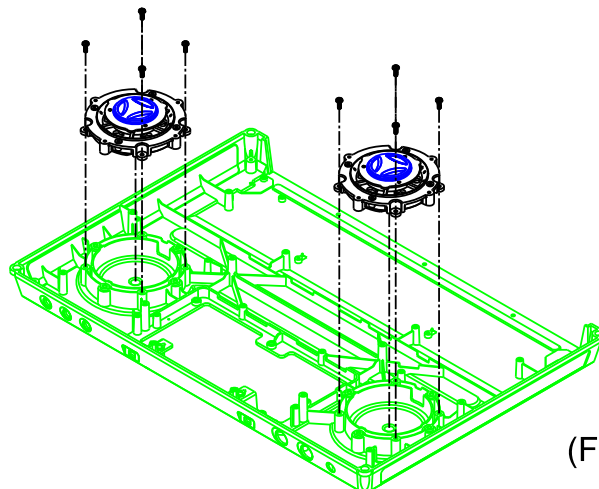
- (a) Remove 2pcs of rubber keypad from PCB Ass'y (Right / Left Trans).
- (b) Remove 2pcs of screw from PCB Ass'y (Right / Left Trans).
- (c) Remove 2pcs of vr knob from PCB Ass'y (Right Front).
- (d) Remove 4pcs of screw from PCB Ass'y (Right Front).
- (e) Remove 3pcs of screw from PCB Ass'y (Left Front).



(Fig. 5)

6. REMOVAL OF JOG WHEEL ASS'Y. (Fig. 6)

- (a) Remove 4pcs of screws from each jog wheel ass'y.

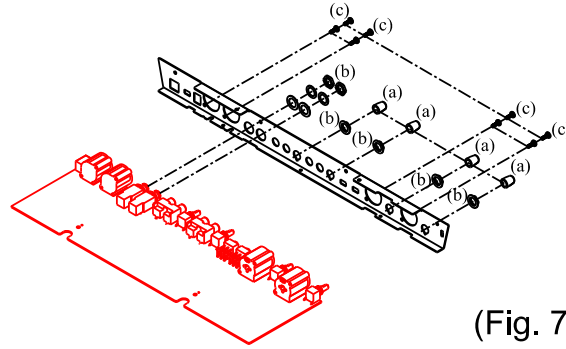


(Fig. 6)

DISASSEMBLY PROCEDURES

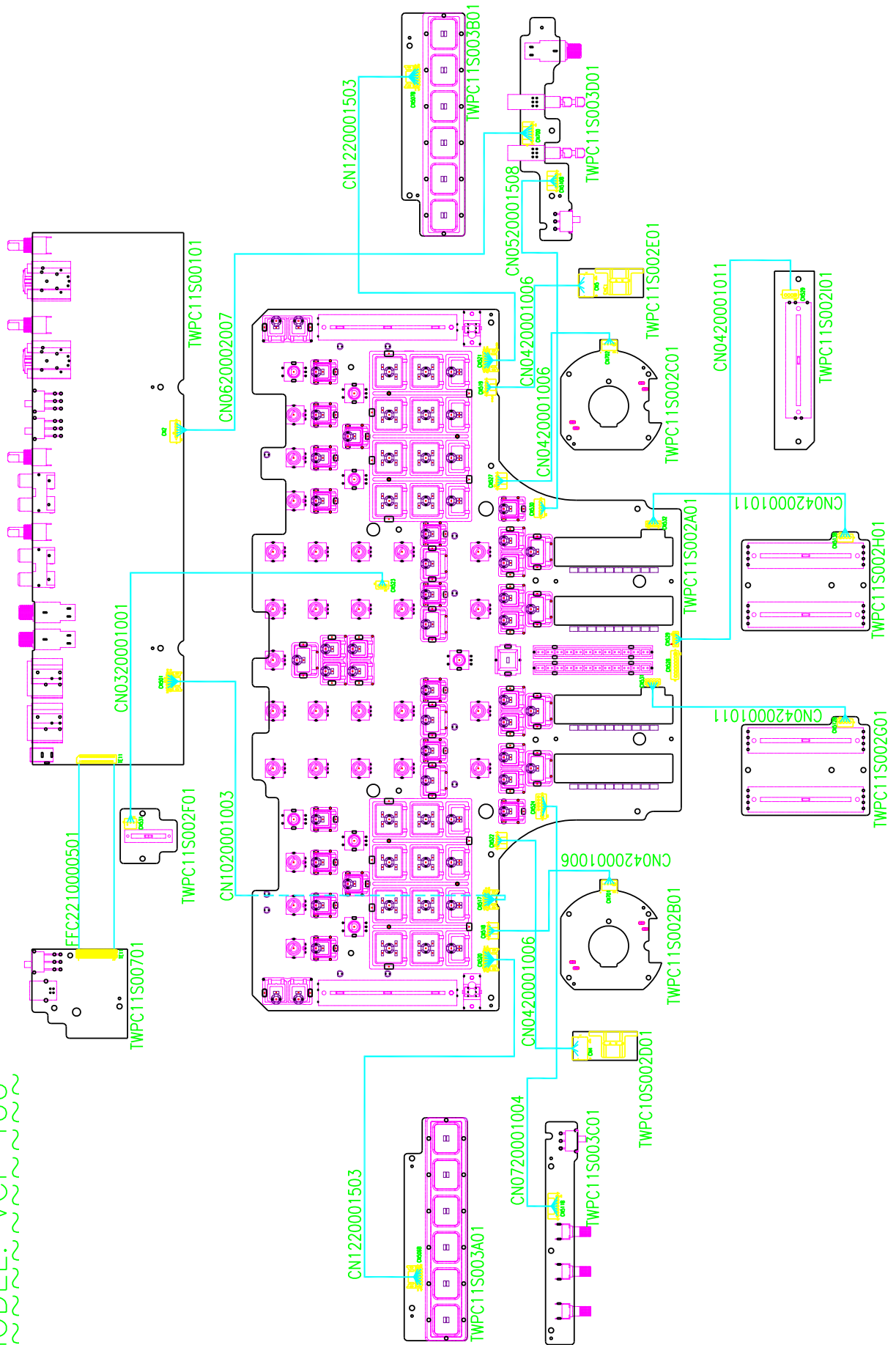
7. REMOVAL OF I/O PCB FROM REAR PANEL. (Fig. 7)

- (a) Remove 4pcs of vr knob from rear panel.
- (b) Remove all washer from rear panel.
- (c) Remove 8pcs of screw from rear panel.

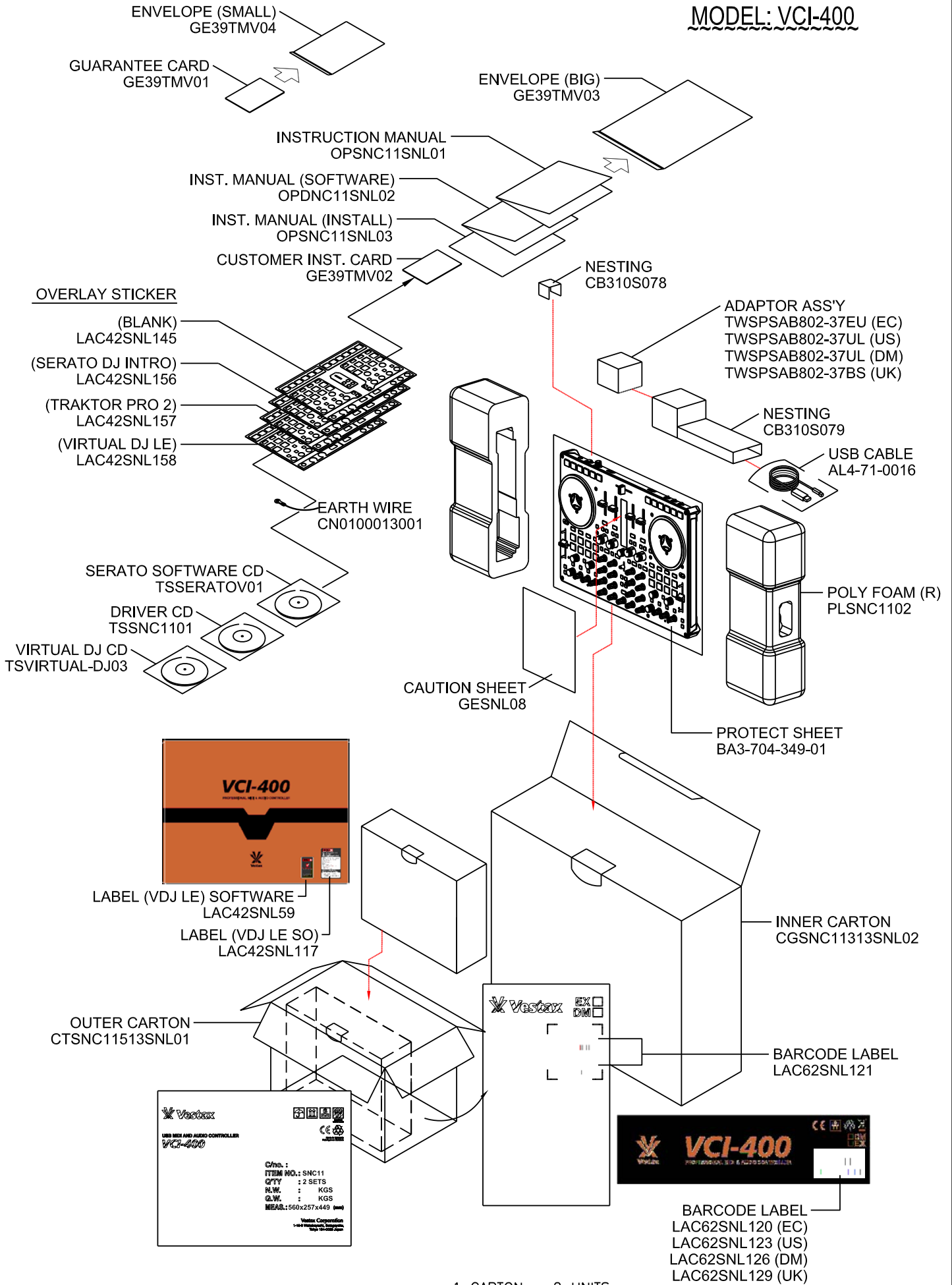


(Fig. 7)

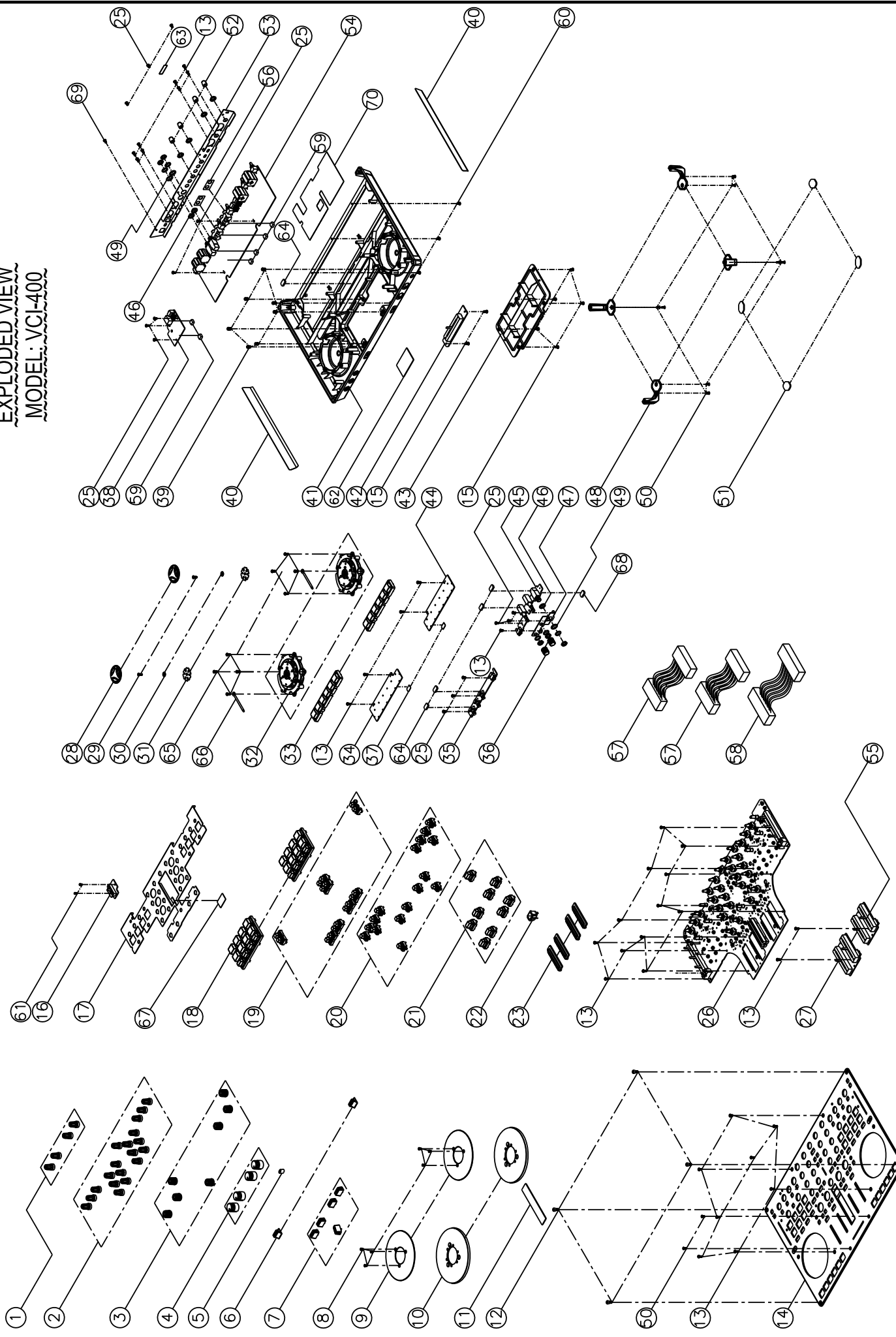
WIRING DIAGRAM
MODEL: VCI-400



PACKING DIAGRAM MODEL: VCI-400



EXPLODED VIEW
MODEL: VCI-400



VCI-400 (BOM)

Lvl	Materials	SPECS	Qty	Part Location
.1	AL4-71-0016	USB CABLE 2.0-DR178-ROHS	1	
.1	BA2442-2510+0	FADER CAP (MINI)	1	5
.1	BA244684010	SLIDER KNOB (2446-8401-0)	2	6
.1	BA3-704-349-01	SHEET (STANDARD), PROTECT - DP	1	
.1	BADRD-130D95-1	VR KNOB	2	36
.1	BAGL-40A	WIRE CLIP	2	66
.1	BAW-1064	WASHER (15*9.5*0.5MM)	3	49
.1	CB310S078	NESTING	1	
.1	CB310S079	NESTING	1	
.1	CGSNC11313SNL02	INNER CARTON	1	
.1	CN0100013001	FLAT CABLE GND WIRE BLACK Φ3.7/1300MM Y-TE/Y-TE	1	
.1	CN1020001003	CONNECTOR WIRE 5P*2/2.0/100MM	1	58
.1	CN1220001503	CONNECTOR 6*2PIN/2.0/150MM	2	57
.1	CTSNC11513SNL01	OUTER BOX	0.5	
.1	EVA1304451	EVA LDM0 & LDM5(L35XW25XT1)	1	67
.1	GE39TMV01	GUARANTEE CARD	1	FOR DM VERSION USE
.1	GE39TMV02	CUSTOMER INSTRUCTION CARD	1	FOR DM VERSION USE
.1	GE39TMV03	ENVELOPE (BIG)	1	
.1	GE39TMV04	ENVELOPE (SMALL)	1	FOR DM VERSION USE
.1	GESNL08	CAUTION SHEET	1	
.1	LAC22SNL116	LABEL SERIAL NO. (EC) (A=2PCS,B=1PC, C=1PC)	1	63 (FOR EC VERSION USE)
.1	LAC22SNL125	LABEL SERIAL NO. (US) (A=2PCS,B=1PC, C=1PC)	1	63 (FOR US VERSION USE)
.1	LAC22SNL128	LABEL SERIAL NO. (DM) (A=2PCS,B=1PC, C=1PC)	1	63 (FOR DM VERSION USE)
.1	LAC22SNL131	LABEL SERIAL NO. (UK) (A=2PCS,B=1PC, C=1PC)	1	63 (FOR UK VERSION USE)
.1	LAC42SNL117	LABEL	1	
.1	LAC42SNL145	OVERLAY STICKER (BLANK)	1	
.1	LAC42SNL156	OVERLAY STICKER (SERATO DJ INTRO)	1	
.1	LAC42SNL157	OVERLAY STICKER (TRAKTOR PRO 2)	1	
.1	LAC42SNL158	OVERLAY STICKER (VIRTUAL DJ LE)	1	
.1	LAC42SNL59	LABEL (VDJ LE)	1	
.1	LAC52SNL118	LABEL (SAFETY) (VCI-400)	1	62
.1	LAC62SNL119	LABEL (LICENSE KEY)	1	
.1	LAC62SNL120	BARCODE LABEL(INNER)(EC)	1	FOR EC VERSION USE
.1	LAC62SNL123	BARCODE LABEL(INNER)(US)	1	FOR US VERSION USE
.1	LAC62SNL126	BARCODE LABEL(INNER)(DM)	1	FOR DM VERSION USE
.1	LAC62SNL129	BARCODE LABEL(INNER)(UK)	1	FOR UK VERSION USE
.1	LAC62SNL121	BARCODE LABEL(MASTER) (1SET X 2PCS)	1	
.1	MT0705517	COPPER SHAFT	7	39
.1	MT5101803	METAL PLATE	2	31
.1	MT510440601	JOG WHEEL PLATE W/SPRAYING	2	9
..2	MT5104406	JOG WHEEL PLATE	1	
.1	MT510441801	FIXED PLATE (CORNER) W/PLATING	4	48
.1	MT5104419	HOLDER (SCREW)	2	29
.1	MT5104420	METAL HOLDER	1	47
.1	MT510442101	SIDE COVER (SPRAYING)	2	40
..2	MT5104421	SIDE COVER	1	
.1	MT512020501	SUB PANEL W/SPRAYING	1	17
.1	MT512040902	REAR PANEL W/SPRAYING & PRINTING	1	53
.1	MT513001101	PANEL (ANODIZING & PRINTING)	1	14
.1	NM5106110	CARPET	2	37
.1	NP251SNL36	NAME PLATE (INSULATOR)	2	56
.1	NP351SNL37	ALUMINIUM FOIL	1	70
.1	NP651SNL27	NAME PLATE (METTER)	1	11
.1	OPSNC11SNL01	INSTRUCTION MANUAL	1	
.1	OPSNC11SNL02	INTRUCTION MANUAL (SOFTWARE)	1	
.1	OPSNC11SNL03	INST. MANUAL FOR INSTALLING THE DRIVER (FOR WINXP	1	
.1	PLSNC11101	POLY FOAM (L)	1	
.1	PLSNC11102	POLY FOAM (R)	1	
.1	PT5104407	LED HOLDER (LOGO)	1	22
.1	PT5104409	PLASTIC HOLDER (JOG WHEEL)	2	10
..2	PMBE1682U	MASTER BATCH AS PN127 (TRANSPARENT BLUE)	0.093	
...3	RS-PN127	RESIN PN127 CHI MEI NATURAL	1	

Lvl	Materials	SPECS	Qty	Part Location
.1	PT5104416	WASHER	3	46
.1	PT510442101	FIXED HOLDER W/ BLK RUBBER PAINT	2	28
.1	PT510442201	BOTTOM PLATE (COVER) W/SPRAYING	1	43
..2	PT5104422	BOTTOM PLATE (COVER)	1	
...3	PM2046GY	COL. COMPOUND ABS TOYOLAC 700	0.09	
....4	RS-ABS 700	ABS TOYOLAC 700-314 NAT	1	
.1	PT5110628	KNOB (VR)	4	1
.1	PT511063501	KNOB VR W/SPRAYING	4	52
..2	PT5110635	KNOB VR	1	
.1	PT511063601	ROTARY KNOB (BLACK & WHITE LINE)	19	2
.1	PT5110639	BUTTON (SMALL)	16	20
.1	PT5110640	BUTTON (2 KEY)	8	19
.1	PT5110641	BUTTON (LARGE)	2	18
.1	PT5110642	BUTTON	9	21
.1	PT511064301	VR LID (BLACK PAINT)	4	23
..2	PT5110643	VR LID	1	
.1	PT511064601	SLIDER KNOB W/SPRAYING	5	7
.1	PT5110647	ROTARY KNOB	7	3
.1	PT513030601	BOTTOM CHASSIS (SPRAYING)	1	41
..2	PT5130306	BOTTOM CHASSIS	1	
...3	PM2046GY	COL. COMPOUND ABS TOYOLAC 700	0.589	
....4	RS-ABS 700	ABS TOYOLAC 700-314 NAT	1	
.1	PU007007004	CONDUCTIVE FOAM	6	59
.1	RU5104401	RUBBER FOOT	5	64
.1	RU5104402	RUBBER FOOT	4	51
.1	RU5104403	CUSHION RUBBER	1	68
.1	RU511060101	RUBBER KEYPAD	2	33
.1	SC0304PBB1	SCREW	3	60
.1	SC0304RINI	SCREW	2	61
.1	SC0305BIB1	SCREW (BINDING HEAD) 3X5MM	7	15
.1	SC0306FINI	SCREW	6	8
.1	SC0306PBB1	SCREW	14	25
.1	SC0306RBNI	SCREW 3X6MM SELF-TAP ROUND-HEAD NICKEL PLATE	1	69
.1	SC0308FBBI	SCREW	10	50
.1	SC0308PBB1	SCREW	35	13
.1	SC0310RBBI	SCREW	8	65
.1	SC0408S2ITS	SCREW	4	12
.1	TWMT511060301	ROTARY KNOB ASS'Y	4	4
..2	BA98454	NOZZLE (GELE-00CL)	0.008	
..2	GELE-00CL	LOCTITE E-00CL	0.2	
..2	MT511060301	ROTARY KNOB (RED ANODIZING)	1	
..2	PT5110645	ROTARY KNOB (SHAFT)	1	
.1	TWPC11S00101	I/O PCB ASS'Y	1	54
..2	AL2-75-4344	IC CONVERTER D/A CS4344 24BIT 192KHZ (12S) TSSOP10	2	IC30, 31
..2	CN0620002007	CONNECTOR WIRE 6P/2.0/200MM	1	CN2
..2	CS101J5003NPO	CHIP CAPACITOR SMD 100P/50V ±5% 0603 NPO-ROHS	10	C123~130, 141, 142
..2	CS102K5003X7R	CHIP CAP 1000PF/50V,X7R,+/-10%, SMD 0603	14	C91~99, 100, 143~146
..2	CS104K5003X7R	CHIP CAP 0.1UF/50V,X7R,+/-10%, SMD 0603	39	C6, 7, 17, 20~23, 25~30, 32~41, 53, C78~90, 166, 802
..2	CS106K1005X5R	CHIP CAP 10UF/10V,+/-10%,X5R,SMT 0805	10	C2, 5, 8, 9, 15, 16, 18, 19, 24, 163
..2	CS150J5003NPO	CHIP CAP.15PF ,SMD0603,+/-5 %, 50V, NPO	4	C119~122
..2	CS220J5003NPO	C.CAP 22P NPO 50V +/-5%	4	C151~154
..2	CS331J5003NPO	C.CAP 330P NPO 50V +/-5%	1	C13
..2	CS470J5003NPO	CHIP CAP.47PF ,SMD0603,+/-5 %, 50V, NPO	2	C137, 138
..2	CS471J5003NPO	C. CAP. SMD 470 pF 50V 5% 0603 NPO	2	C10, 11
..2	DI1SS352SM	DIODE 1SS352 HE1A	1	D10
..2	DI1SS403SM	DIODE HIGH VOLT ON/OFF 1SS403 1.1E1A	1	D11
..2	DISDRB051L-40	SCHOTTKY BARRIER DIODES RB051L-40	3	D6, 8, 9
..2	DIZDSMLVT3V3	DIODE TVS SMLVT3V3 SMD	4	ZD1~4
..2	ECS10550B	E.CAP 1UF/50V TYPE B SMD	14	C54~61, 101~104, 139, 140
..2	ECS10616SMD	ALUMINUM ELECTROLYTIC CAPACITOR CHIP 10UF/16	41	C4, 49~52, 62~76, 105~118, 155~160,
..2	ECS10650C	ECAP 10UF/50V 5*5.3MM SMD	10	C131~136, 147~150
..2	ECS10716D	E. CAP 100UF/16V SMD ROHS	2	C12, 167
..2	ECS22716D8	E.CAP 220UF/16V D8 TYPE SMD	1	C165

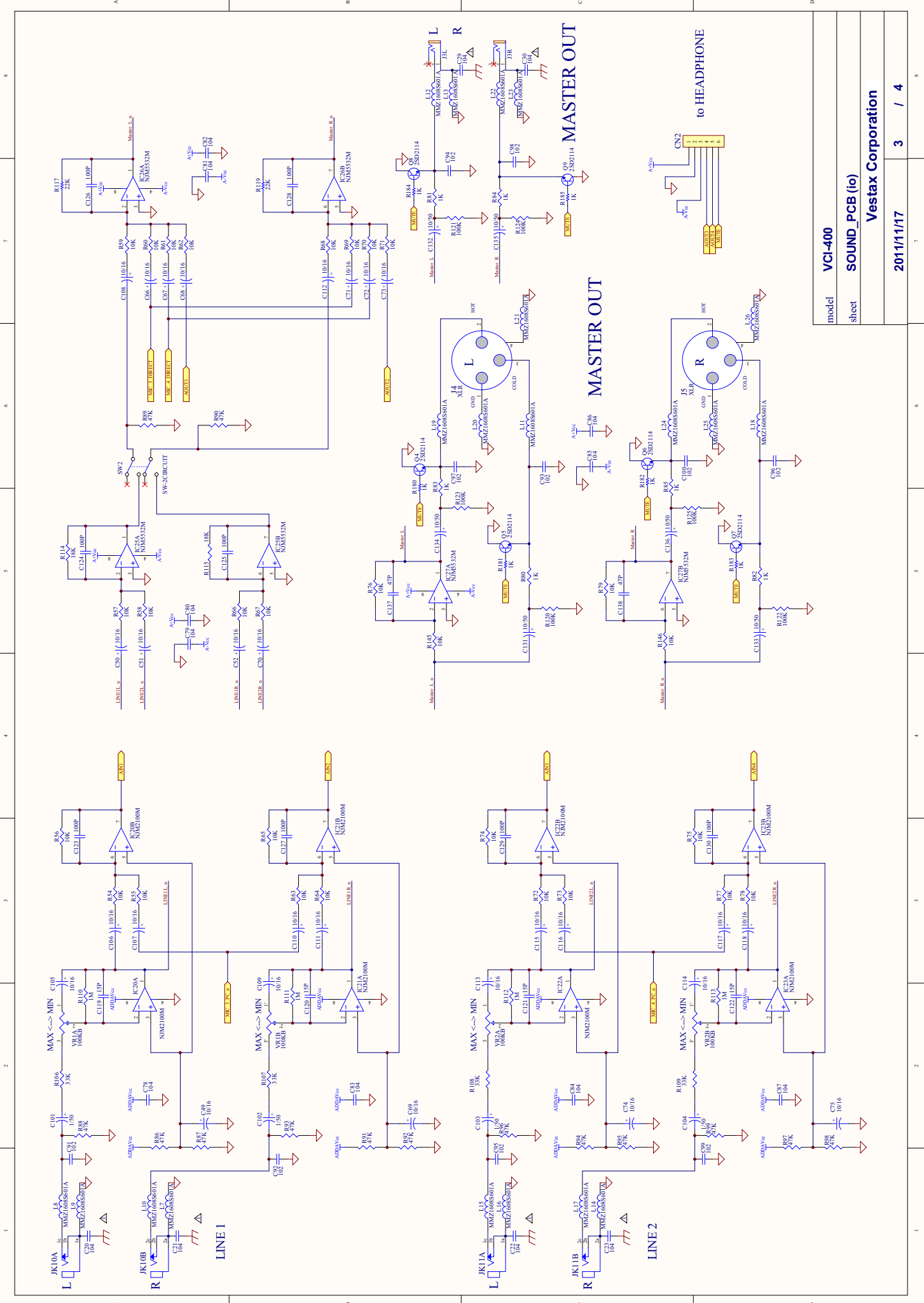
Lvl	Materials	SPECS	Qty	Part Location
..2	ECS33716F	E.CAP 330UF/16V F TYPE SMD	2	C1, 14
..2	ICBA033FP	IC (BA033FP)	1	IC3
..2	ICBA06CC0FP-E2	IC BA06CC0FP-E2 TO252-3	1	IC8
..2	ICCS5341	IC CS5341 TSSOP-16	2	IC19, 29
..2	ICFAN2012EMPX	IC FAN2012EMPX MO-229	1	IC1
..2	ICHCPL-060L	IC HCPL-060L SO-8	1	IC32
..2	ICNCP1521BSNT1G	IC NCP1521BSNT1G TSOP-5	1	IC7
..2	ICNCP303LSN30T1	IC NCP303LSN30T1G TSOP-5	1	IC2
..2	ICNJM2100M	IC (NJM2100M)	5	IC20~24
..2	ICNJM2374AM	IC NJM2374AM DMP8	2	IC4, 5
..2	ICNJM5532M	IC NJM5532M DMP8	4	IC25~28
..2	ICTC74VHC04FT	IC TC74VHC04FT TSSOP14	1	IC6
..2	JKDJ-0702B-020	DC SOCKET 2.0MM	1	J1
..2	JKHTJ-064-12D	JACK HTJ-064-12D	2	J3L, 3R
..2	JKLX-1601H-3	XLR JACK(MALE)90° ROHS	2	J4, 5
..2	JKNCJ6FAH-0	XLR JACK RECEPTACLE A SERIES COMBO- 3 PIN FEMALE	2	J6, 7
..2	PC11S001	PCB SOUND CARD 2LAYER FR-4 1.6T 388X119MM	1	
..2	RJ1039-10-0580B	RCA 2P WHITE/RED GOLD PLATED	2	JK10, 11
..2	RS000008J05	CHIP RES. 0Ω 5% SMD 0805-ROHS	2	R175, 186
..2	RS000010J03	CHIP RES. 0 Ω 5% SMD 0603	2	R149, 158
..2	RS001K10F03	CHIP RES. 1K Ω 1% SMD 0603	14	R8, 80~85, 180~185, 812
..2	RS001M10F03	CHIP RES. 1M OHM,1/8W,+/-1%,0603	4	R110~113
..2	RS010010F03	CHIP RES. 100 Ω 1% SMD 0603	25	R9, 150~157, 159~174
..2	RS010K10F03	CHIP RES. 10K Ω 1% SMD 0603	43	R2, 7, 10, 22, 35, 37~39, 54~79, 138~141, R145~147, 176, 177
..2	RS012010F03	CHIP RES. 120 Ω 1% SMD 0603	2	R810, 811
..2	RS018K10F03	CHIP RES. 18K Ω 1% SMD 0603	3	R20, 114, 115
..2	RS01K510F03	CHIP RES. 1.5K Ω 1% SMD 0603	1	R19
..2	RS01K810F03	CHIP RES. 1.8K Ω 1% SMD 0603	1	R12
..2	RS022K10F03	CHIP RES. 22K Ω 1% SMD 0603	2	R117, 119
..2	RS033K10F03	CHIP RES. 33K Ω 1% SMD 0603	4	R106~109
..2	RS03K310F03	CHIP RES. 3.3K Ω 1% SMD 0603	1	R11
..2	RS047K10F03	CHIP RES. 47K Ω 1% SMD 0603	16	R86~99, 100, 101
..2	RS04K710F03	CHIP RES. 4.7K Ω 1% SMD 0603	1	R15
..2	RS05K610F03	CHIP RES. 5.6K Ω 1% SMD 0603	4	R130~133
..2	RS05R110F03	CHIP RES. 5.1 Ω 1% SMD 0603	2	R40, 41
..2	RS06K810F03	CHIP RES. 6.8K Ω 1% SMD 0603	2	R13, 14
..2	RS0R2202F20	CHIP RES. 0.22 Ω 1% SMD 2010	2	R16, 17
..2	RS100K10F03	CHIP RES. 100K Ω 1% SMD 0603	10	R53, 103~105, 120~125
..2	RS180K10F03	CHIP RES. 180K OHM,1/10W,+/-1%,0603	2	R135, 136
..2	RS220K10F03	RESISTOR THICK FILM 1% 1/10W 0603 SMD 220K OHM	4	R126~129
..2	RS300K10F03	CHIP RES. 300K Ω 1% SMD 0603	2	R134, 137
..2	RS560K10F03	CHIP RES. 560K Ω 1% SMD 0603	2	R178, 179
..2	SW5MD1S12AM6QES	SWITCH SLIDE 2P 3T DUAL-ROW	2	SW2, 3
..2	TE352001001	5P*2 CONNECTOR 2.0MM DIP	1	CN501
..2	TE552002401	24P CONNECTOR SOCKET 2.0MM 90DEG	1	TE11
..2	TR2SA1586Y	TRANSISTOR 2SA1586Y PNP SC-70	1	Q3
..2	TR2SD2114KSM	TRANSISTOR NPN 2SD2114K SOT-23 (SMD)	6	Q4~9
..2	TRC4116GR	TRANSISTOR 2SC4116GR SC-70	1	Q2
..2	TRTPC6111	MOSFET TPC6111 P-CH 2-3T1A	1	Q1
..2	UH12555T221MR72	INDUCTOR 220UH 0.72A 20% SMD TDK	1	L5
..2	UH12565T101M1R6	INDUCTOR 100UH 1.6A 20% SMD TDK	1	L2
..2	UH6045T2R2N3R3	INDUCTOR 2.2UH 3.3A 30% SMD TDK	1	L4
..2	UH6045T3R3N2R8	INDUCTOR 3.3UH 2.8A 30% SMD TDK	1	L3
..2	UHDLW5BTN501SQ2	INDUCTOR (4A) DR257	1	L1
..2	UHMMZ1608S601A	BEAD 600Ω 0.5A 25% SMD TDK	26	L7~32
..2	VRR10401503	ROTARY VR 100K 1B 15MM SINGLE (NICKEL)	2	VR1, 2
..2	VRR50301516	ROTARY VR 50K 1B 15MM SINGLE (NICKEL)	2	VR3, 4
..1	TWPC11S00301	FRONT PCB ASS'Y	1	
..2	PC11S003	PCB SMALL PCB 2LAYER FR-4 1.6T 175 X 155 MM	1	
..2	TWPC11S003A01	PCB ASS'Y LEFT TRANS	1	34
...3	DI1SS352SM	DIODE 1SS352 HE1A	6	D700~705
...3	LDKPTD-1608CGCK	LED YELLOW GREEN 0603 SMD 60DEG	6	LED756~759, 768, 769
...3	LDLTST-C190KRKT	LED RED (3-20-0011)	4	LED700~702, 732

Lvl	Materials	SPECS	Qty	Part Location
...3	LDPTV1608SYEC	LED SUPER BRIGHT YELLOW, WATER CLEAR, 0603SMD	2	LED733, 754
...3	RS006810F03	CHIP RES. 68 Ω 1% SMD 0603	2	R701, 702
...3	RS008210F03	CHIP RES. 82 Ω 1% SMD 0603	1	R721
...3	RS015010F03	CHIP RES. 150 Ω 1% SMD 0603	1	R700
...3	TE352001201	PIN HEADER 90°PITCH:2.0MM DUAL-ROW	1	CN506B
..2	TWPC11S003B01	PCB ASS'Y RIGHT TRANS	1	44
...3	DI1SS352SM	DIODE 1SS352 HE1A	6	D708~713
...3	LDKPTD-1608CGCK	LED YELLOW GREEN 0603 SMD 60DEG	6	LED760~763, 770, 771
...3	LDLTST-C190KRKT	LED RED (3-20-0011)	4	LED705~707, 765
...3	LDPTV1608SYEC	LED SUPER BRIGHT YELLOW, WATER CLEAR, 0603SMD	2	LED755, 764
...3	RS006810F03	CHIP RES. 68 Ω 1% SMD 0603	2	R703, 704
...3	RS008210F03	CHIP RES. 82 Ω 1% SMD 0603	1	R720
...3	RS015010F03	CHIP RES. 150 Ω 1% SMD 0603	1	R705
...3	TE352001201	PIN HEADER 90°PITCH:2.0MM DUAL-ROW	1	CN507B
..2	TWPC11S003C01	PCB ASS'Y LEFT FRONT	1	35
...3	CN0720001503	FLAT CABLE 7PIN PITCH 2.0MM SINGLE ROW	1	CN511B
...3	SW5MS3S12AM6QES	SWITCH SLIDE 3P 3T SINGLE-ROW	1	SW700
...3	VRR10302011	RK09K1110-K20-C0-B103 (LM1=20 10KB)	3	VR701~703
..2	TWPC11S003D01	PCB ASS'Y RIGHT FRONT	1	45
...3	CN0520001508	FLAT CABLE 5PIN PITCH 2.0MM SINGLE ROW	1	CN510B
...3	CS101J5003NPO	CHIP CAPACITOR SMD 100P/50V ±5% 0603 NPO-ROHS	4	C708~711
...3	CS104K5005X7R	CHIP CAP 0.1UF ±10% 50V 0805	2	C714, 715
...3	ECS10616SMD	ALUMINUM ELECTROLYTIC CAPACITOR CHIP 10UF/16	4	C704~707
...3	ECS22716D8	E.CAP 220UF/16V D8 TYPE SMD	2	C712, 713
...3	ICNJM4556AM	IC (NJM4556AM)	1	IC700
...3	JKHTJ-064-12D	JACK HTJ-064-12D	1	J700
...3	RS001K10F03	CHIP RES. 1K Ω 1% SMD 0603	2	R718, 719
...3	RS004702F20	RES 47Ω 1% SMD 2010	2	R712, 713
...3	RS010K10F03	CHIP RES. 10K Ω 1% SMD 0603	2	R706, 708
...3	RS056K10F03	CHIP RES. 56K Ω 1% SMD 0603	2	R707, 709
...3	RS100K10F03	CHIP RES. 100K Ω 1% SMD 0603	4	R714~717
...3	SW5MS3S12AM6QES	SWITCH SLIDE 3P 3T SINGLE-ROW	1	SW701
...3	TE10200601	6P CONNECTOR SOCKET 180°	1	CN700
...3	TR2SD2114KSM	TRANSISTOR NPN 2SD2114K SOT-23 (SMD)	2	Q701, 702
...3	UHMMZ1608S601A	BEAD 600Ω 0.5A 25% SMD TDK	3	L700~702
...3	VRR10302512	POTENTIOMETER ROTARY VOLUME 10K 1B SHAFT	1	VR704
...3	VRR10302513	POTENTIOMETER ROTARY VOLUME 10K 15A	1	VR700
..1	TWPC11S00701	PCB ASS'Y L2	1	38
..2	CS103K5003X7R	C.CAP 0.010UF 50V X7R,±10% SMD 0603	2	C46, 47
..2	CS104K5003X7R	CHIP CAP 0.1UF/50V,X7R,+/-10%, SMD 0603	17	C15, 16, 19~31, 161, 162
..2	CS105K1603X7R	CERA CAPACITOR 1UF 10%16V 03X7R-R	1	C48
..2	CS330J5003NPO	CHIP CAP 33PF 50V 5% 0603 NP0	2	C44, 45
..2	DIZDSMLVT3V3	DIODE TVS SMLVT3V3 SMD	1	ZD1
..2	ECS22550B	ECAP 2.2UF/50V 4*5.3MM SMD	1	C18
..2	ECS47550B	E.CAP 4.7UF/50V 4*5.3MM SMD	2	C42, 43
..2	ICCS2300-CP	IC CS2300-CP MO-187	1	IC14
..2	ICNC7NZ34K8X	IC NC7NZ34K8X MO-187	1	IC15
..2	ICNC7SZU04M5X	IC NC7SZU04M5X SOT23	1	IC13
..2	ICNC7WZ07P6X	IC NC7WZ07P6X SC70	1	IC18
..2	ICNCP303LSN09T1	IC NCP303LSN09T1G TSOP-5	1	IC16
..2	ICNCP699SN18T1G	IC NCP699SN18T1G TSOP-5	1	IC10
..2	ICUSB3318	IC USB3318 QFN24	1	IC11
..2	ICXS1L02AQ124C5	IC XS1-L02A-QF124-C5 124QFN	1	IC12
..2	ICYHFRS012	IC AT25DF041A-SH + PROGRAM SOIC8	1	IC17
...3	FRSNLD00501	FIRMWARE D005 CHK SUM : 7BC4	1	
...3	ICAT25DF041A-SH	IC AT25DF041A-SH BLANK SOIC8	1	
..2	JKUSBBSBTHR	USB JACK 2.0 B-TYPE 90°	1	J2
..2	PC11S007	L2 PCB 4LAYERS FR-4 1.6T 72*43MM	1	
..2	RS003310F03	CHIP RES. 33 OHM,1/8W,+/-1%,0603	6	R43~48
..2	RS010010F03	CHIP RES. 100 Ω 1% SMD 0603	1	R53
..2	RS010K10F03	CHIP RES. 10K Ω 1% SMD 0603	3	R24~26
..2	RS02M210J03	CHIP RES. 2.2M Ω 5% SMD 0603	1	R49
..2	RS02R210F03	CHIP RES. 2.2Ω 1% SMD 0603	1	R52
..2	RS047010F03	CHIP RES. 470 Ω 1% SMD 0603	1	R50

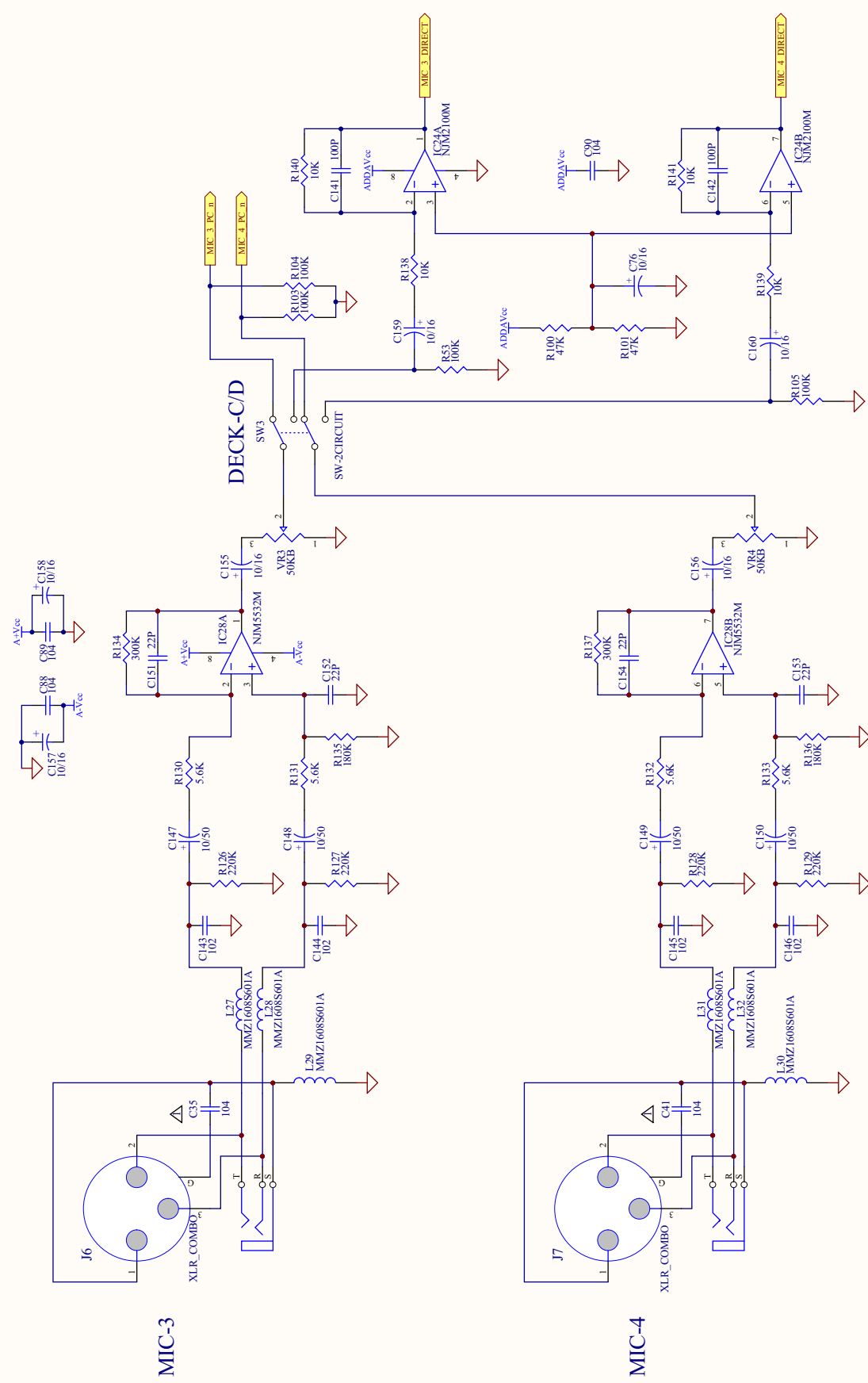
Lvl	Materials	SPECS	Qty	Part Location
..2	RS047K10F03	CHIP RES. 47K Ω 1% SMD 0603	1	R28
..2	RS04K710F03	CHIP RES. 4.7K Ω 1% SMD 0603	9	R29~34, 36, 142, 143
..2	RS8K0610F03	CHIP RES. 8.06K Ω 1% SMD 0603	1	R42
..2	SW5MD1S12AM6QES	SWITCH SLIDE 2P 3T DUAL-ROW	1	SW1
..2	TE952002402	24P DUAL ROW PIN HEADER 2.0MM 90DEG	1	TE11
..2	TE962542001	20P CONNECTOR SOCKET	1	CN1
..2	UHMPZ1608S331A	BEAD 330 Ω 1.7A 25% SMD TDK	1	L6
..2	XTM13000X6	CRYSTAL 13MHZ 49U SMD	1	X1
.1	TWPT510440902	JOG WHEEL ASS'Y	1	32
..2	MT5101801	GROUNDING PLATE	2	
..2	MT5105509	SHAFT HOLDER	2	
..2	NM5106109	VELVET CARPET	2	
..2	NP251SNL12	NAME PLATE (GASKET)	2	
..2	PT5104301	PLASTIC PLATE	2	
..2	PT5104410	HOLDER	2	
...3	RS-ABS920-555	ABS RESIN TOLOLAY (920-555 (N))	0.044	
..2	RN109111	E RING(9MM)	2	
..2	SC0303SIBI	SCREW	2	
..2	SC2605RBNI	SCREW	14	
..2	TWMT5105505	JOG WHEEL ASS'Y	2	
...3	MT5104407	METAL HOLDER	1	
...3	MT5105505	METAL SHAFT (JOG WHEEL)	1	
...3	MT5105506	SHAFT HOLDER	1	
..2	TWNP651SNL13	SHADER SHEET ASS'Y	2	
...3	MT0704473	SHADER FIXED PLATE	2	
...3	MT5104408	HOLDER (METAL)	1	
...3	NP651SNL13	SHADER SHEET	1	
...3	RN0416001	16MM CS RING	1	
..2	TWPC11S00201	PCB ASS'Y CONTROL	1	
...3	PC11S002	PCB CONTROL 2LAYER FR-4 1.6T 440.4X281MM	1	
...3	TWPC11S002A01	CONTROL PCB ASSEMBLY	1	26
....4	CN0420001011	FLAT CABLE 4PIN PITCH 2.0MM SINGLE ROW	1	CN529
....4	CS101J5003NPO	CHIP CAPACITOR SMD 100P/50V \pm 5% 0603 NPO-ROHS	1	C583
....4	CS102K5003X7R	CHIP CAP 1000PF/50V,X7R,+/-10%, SMD 0603	8	C569~576
....4	CS103K5003X7R	C.CAP 0.010UF 50V X7R, \pm 10% SMD 0603	15	C582, 589, 590, 593~596, 599, 600~602, C608~611
....4	CS104K5003X7R	CHIP CAP 0.1UF/50V,X7R,+/-10%, SMD 0603	38	C500, 567, 577, 578, 581, 586~588, 591, C592, 597, 598, 603~607, 612~632
....4	CS150J5003NPO	CHIP CAP.15PF ,SMD0603,+/-5 %, 50V, NPO	2	C584, 585
....4	DI1SS302SM	DIODE 1SS302 SC-70	2	D652, 654
....4	DI1SS352SM	DIODE 1SS352 HE1A	76	D578~599, 600~651, 653, 655
....4	ECS10716D	E. CAP 100UF/16V SMD ROHS	2	C568, 580
....4	ECS47616D	E.CAP 47UF/16V DTYPE SMD	1	C579
....4	ICG697L400T1UF	IC G697L400T1UF SOT-23-5	1	IC535
....4	ICHCLP-060L	IC HCPL-060L SO-8	1	IC500
....4	ICNJM2732M	IC NJM2732M DMP8	1	IC572
....4	ICTC4051BFT	IC TC4051BFT TSSOP16	6	IC567~571, 573
....4	ICTC74VHC04FT	IC TC74VHC04FT TSSOP14	1	IC534
....4	ICTC74VHC138FT	EE IC TC74VHC138FT TSSOP16	1	IC560
....4	ICTC74VHC14FT	IC TC74VHC14FT TSSOP14	3	IC541~543
....4	ICTC74VHC238FT	EE IC TC74VHC238FT TSSOP16	1	IC565
....4	ICTC74VHC541FT	IC TC74VHC541FT TSSOP20	5	IC548~550, 564, 566
....4	ICTC74VHC573FT	ICTC74VHC573FT	3	IC561~563
....4	ICTC74VHC74FT	IC TC74VHC74FT TSSOP14	6	IC537~540, 554, 559
....4	ICYHFRS011	IC H8S/HD64F2215U+ PROGRAM LQFP64	1	IC536
.....5	FRSNL11110901	FIRMWARE VCL_400_B_20111109 CHK SUM : 7CA1	1	
.....5	ICHD64F3687FPV	IC CPU HD64F3687FPV BLANK LQFP64	1	
....4	LDKPT1608SECKM	LED ORANGE SMD 0603 120DEG	35	LED681~684, 687~699, 700~709, 753, LED797~799, 802, 803, 805, 806
....4	LDKPTC2012SURCK	RED LED KPTC2012 SURCK 0805	1	LED659
....4	LDLTST-C190KRKT	LED RED (3-20-0011)	62	LED755~796, 814~823, 844~853
....4	LDPTV1608SYEC	LED SUPER BRIGHT YELLOW, WATER CLEAR, 0603SMD	62	LED711~752, 824~843
....4	LDSL B-25MG3F	LED YELLOW GREEN RECTANGULAR .5*5MM FLAT HEAD GRE	16	LED658, 663~677
....4	LDSL B-25VR3FG	LED RED RECTANGULAR 7.5*5MM FLAT HEAD RED DIP	4	LED655, 656, 660, 661

Lvl	Materials	SPECS	Qty	Part Location
....4	LDSL2B-25YY3F	LED RECTANGULAR 7.5x5MM FLAT HEAD YELLOW DIP	2	LED657, 662
....4	PT5104406	LED HOLDER	2	LED Bar Holder
....4	RS001K10F03	CHIP RES. 1K Ω 1% SMD 0603	10	R509, 733~735, 737, 738, 741~743, 846
....4	RS001M10F03	CHIP RES. 1M OHM,1/8W,+/-1%,0603	12	R744~751, 863, 865, 871, 873
....4	RS010010F03	CHIP RES. 100 Ω 1% SMD 0603	11	R866~870, 874, 882, 884~887
....4	RS010K10F03	CHIP RES. 10K Ω 1% SMD 0603	93	R500, 675~685, 688~699, 700, 703, 704, R707~732, 736, 739, 740, 752~757, R830~844, 847~862
....4	RS015010F03	CHIP RES. 150 Ω 1% SMD 0603	62	R758~799, 810~829
....4	RS01K510F03	CHIP RES. 1.5K Ω 1% SMD 0603	2	R864, 872
....4	RS01K810F03	CHIP RES. 1.8K Ω 1% SMD 0603	1	R845
....4	RS022010F03	CHIP RES. 220 Ω 1% SMD 0603	3	R507, 508, 686
....4	RS02K210F03	CHIP RES. 2.2K Ω 1% SMD 0603	1	R687
....4	RS04K710F03	CHIP RES. 4.7K Ω 1% SMD 0603	4	R701, 702, 705, 706
....4	RS056010F03	CHIP RES. 560 Ω 1% SMD 0603	12	R888~899
....4	RS100K10F03	CHIP RES. 100K Ω 1% SMD 0603	6	R875~880
....4	RS470K10F03	CHIP RES. 470K Ω 1% SMD 0603	2	R881, 883
....4	SWEC11E09244BS	9 PULSE ENCODER ROTARY PRESS SWITCH	7	ENC507~513
....4	SWEVQ11L05R	TACT SWITCH(5MM) ROUND TERMINAL	65	SW567~583, 585~599, 600~611,
....4	SWLBC22M-06K	LEVER SWITCH 90° \longleftrightarrow 30° SHAFT LENGTH	2	SW584, 612
....4	TE10200502	5P CONNECTOR SOCKET 180°	1	CN530
....4	TE10200601	6P CONNECTOR SOCKET 180°	1	CN516
....4	TE10200702	7P CONNECTOR SOCKET	1	CN524
....4	TE352001001	5P*2 CONNECTOR 2.0MM DIP	1	CN517
....4	TE352001201	PIN HEADER 90°PITCH:2.0MM DUAL-ROW	2	CN520, 521
....4	TE612000301	3P CONNECTOR SOCKET	1	CN523
....4	TE612000402	4P CONNECTOR SOCKET	6	CN518, 519, 522, 527, 531, 532
....4	TE612000801	8P CONNECTOR	1	CN528
....4	TR2SA1586Y	TRANSISTOR 2SA1586Y PNP SC-70	4	Q530~533
....4	TR2SA2058	TRANSISTOR 2SA2058 PNP 2-3S1A	8	Q534~536, 540, 541, 544~546
....4	TR2SC3326A	TRANSISTOR 2SC3326A PNP TO-236MOD	1	Q529
....4	TRC4116GR	TRANSISTOR 2SC4116GR SC-70	24	Q539, 542, 543, 547~567
....4	TWGREEN01	LED GREEN ASS'Y (SNC11)	2	LED678, 807
.....5	BALE48211-0A	LED HOLDER	1	
.....5	LD-LG2040	LED 3MM GREEN	1	
....4	TWORANGE01	LED AMBER ASS'Y (SNC11)	4	LED679, 680, 685, 686
.....5	BALE48201-5A	PLASTIC BOSS (LED) 1.5MM	1	
.....5	LD3634A1T-LHD-B	LED FLAT HEAD AMBER 3634A1T-LHD-B	1	
....4	TWRED01	LED RED ROUND TYPE ASS'Y (SNC11)	8	LED754, 804, 808~813
.....5	BALE48211-0A	LED HOLDER	1	
.....5	LDIFR324HD	LED 3MM (RED)	1	
....4	TWYELLOW01	LED YELLOW ASS'Y (SNC11)	1	LED710
.....5	BALE48211-0A	LED HOLDER	1	
.....5	LD1030	LED 3MM (YELLOW)	1	
....4	VRR10301512	V.RESISTOR ROTARY 10K 1B SHAFT L:15MM CENTER CLICK	22	VR536~549, 551~558
....4	VRR10301513	V.RESISTOR ROTARY:10K 1B SHAFT L:15MM SINGLE CLICK	5	VR507, 510, 511, 521, 524
....4	VRS10306015	V.RESISTOR 10K 60MM 15MM	2	VR525, 550
....4	XTM20000X6	CRYSTAL 20MHZ	1	X501
...3	TWPC11S002B01	PCB ASS'Y LEFT JOG	1	
....4	CN0420001006	CONNECTOR WIRE 4P/2.0/100MM	1	CN701
....4	RS015010F03	CHIP RES. 150 Ω 1% SMD 0603	4	R718~721
....4	TWRED02	LED RED ASTIGMATISM ASS'Y (SNC11)	2	LED730, 731
.....5	BALE48201-5A	PLASTIC BOSS (LED) 1.5MM	1	
.....5	LD-005HLV	LED RED	1	
....4	TWWHITE01	LED WHITE ASS'Y (SNC11)	2	LED703, 704
.....5	BALE48201-5A	PLASTIC BOSS (LED) 1.5MM	1	
.....5	LD304W2CB	LED (WHITE)	1	
...3	TWPC11S002C01	PCB ASS'Y RIGHT JOG	1	
....4	CN0420001006	CONNECTOR WIRE 4P/2.0/100MM	1	CN702
....4	RS015010F03	CHIP RES. 150 Ω 1% SMD 0603	4	R724, 725, 727, 728
....4	TWRED02	LED RED ASTIGMATISM ASS'Y (SNC11)	2	LED766, 767
.....5	BALE48201-5A	PLASTIC BOSS (LED) 1.5MM	1	
.....5	LD-005HLV	LED RED	1	
....4	TWWHITE01	LED WHITE ASS'Y (SNC11)	2	LED708, 709

Lvl	Materials	SPECS	Qty	Part Location
....5	BALE48201-5A	PLASTIC BOSS (LED) 1.5MM	1	
....5	LD304W2CB	LED (WHITE)	1	
...3	TWPC11S002D01	PCB ASS'Y LEFT SENSOR	1	
....4	CN0420001006	CONNECTOR WIRE 4P/2.0/100MM	1	CN4
....4	DIHEDS-9700F50	SMALL OPTICAL ENCODER MODULES DR40	1	ENC1
...3	TWPC11S002E01	PCB ASS'Y RIGHT SENSOR	1	
....4	CN0420001006	CONNECTOR WIRE 4P/2.0/100MM	1	CN5
....4	DIHEDS-9700F50	SMALL OPTICAL ENCODER MODULES DR40	1	ENC2
...3	TWPC11S002F01	PCB ASS'Y WET/DRY FADER	1	16
....4	CN0320001001	3P CONNECTOR WIRE	1	CN531
....4	VRS10301501	POTENTIOMETER SLIDE 10K 1B 15MM 10MM	1	VR559
...3	TWPC11S002G01	PCB ASS'Y INPUT FADER L	1	27
....4	CN0420001011	FLAT CABLE 4PIN PITCH 2.0MM SINGLE ROW	1	CN512B
....4	NM1106115	VELVET CARPET	2	
....4	VRS10304524	POTENTIOMETER SLIDE 10K B 45MM 15MM	2	VR705, 706
...3	TWPC11S002H01	PCB ASS'Y INPUT FADER R	1	55
....4	CN0420001011	FLAT CABLE 4PIN PITCH 2.0MM SINGLE ROW	1	CN513B
....4	NM1106115	VELVET CARPET	2	
....4	VRS10304524	POTENTIOMETER SLIDE 10K B 45MM 15MM	2	VR707, 708
...3	TWPC11S002I01	PCB ASS'Y CROSS FADER	1	42
....4	TE612000402	4P CONNECTOR SOCKET	1	CN505B
....4	VRS10304516	V.RESISTOR 10K 45MM 15MM	1	VR709
..2	WS113008204IB	WASHER	2	
.1	TWSPSAB802-37EU	ADAPTOR ASS'Y SPSAB802-37	1	FOR EC VERSION USE
..2	OTB802-37-EU	EU PIN FOR SPSAB802-37	1	
..2	SPSAB802-37	ADAPTOR DC7.5V/1A NO PIN	1	
.1	TWSPSAB802-37UL	ADAPTOR ASS'Y SPSAB802-37	1	FOR US & DM VERSION USE
..2	OTB802-37-UL	UL PIN FOR SPSAB802-37	1	
..2	SPSAB802-37	ADAPTOR DC7.5V/1A NO PIN	1	
.1	TWSPSAB802-37BS	ADAPTOR ASS'Y SPSAB802-37BS	1	FOR UK VERSION USE
..2	OTB802-37-BS	BS PIN FOR SPSAB802-37	1	
..2	SPSAB802-37	ADAPTOR DC7.5V/1A NO PIN	1	
.1	TWTSSNC110101	VDJ LE, SERATO SOFTWARE & DRIVER CD ASSY	1	
..2	BC141302	BUBBLE BAG (T)10X(0)135X140MM	1	
..2	TSSERATOV01	SERATO SOFTWARE CD FOR SNC11	1	
..2	TSSNC1101	SNC11 DRIVER CD	1	
..2	TSVIRTUAL-DJ03	VIRTUAL DJ CD FOR SNC11	1	
.1	WS104205IZ	WASHER	2	30



model	VCI-400
sheet	SOUND_PCB (10)
	Vestax Corporation
	2011/11/17
	3 / 4



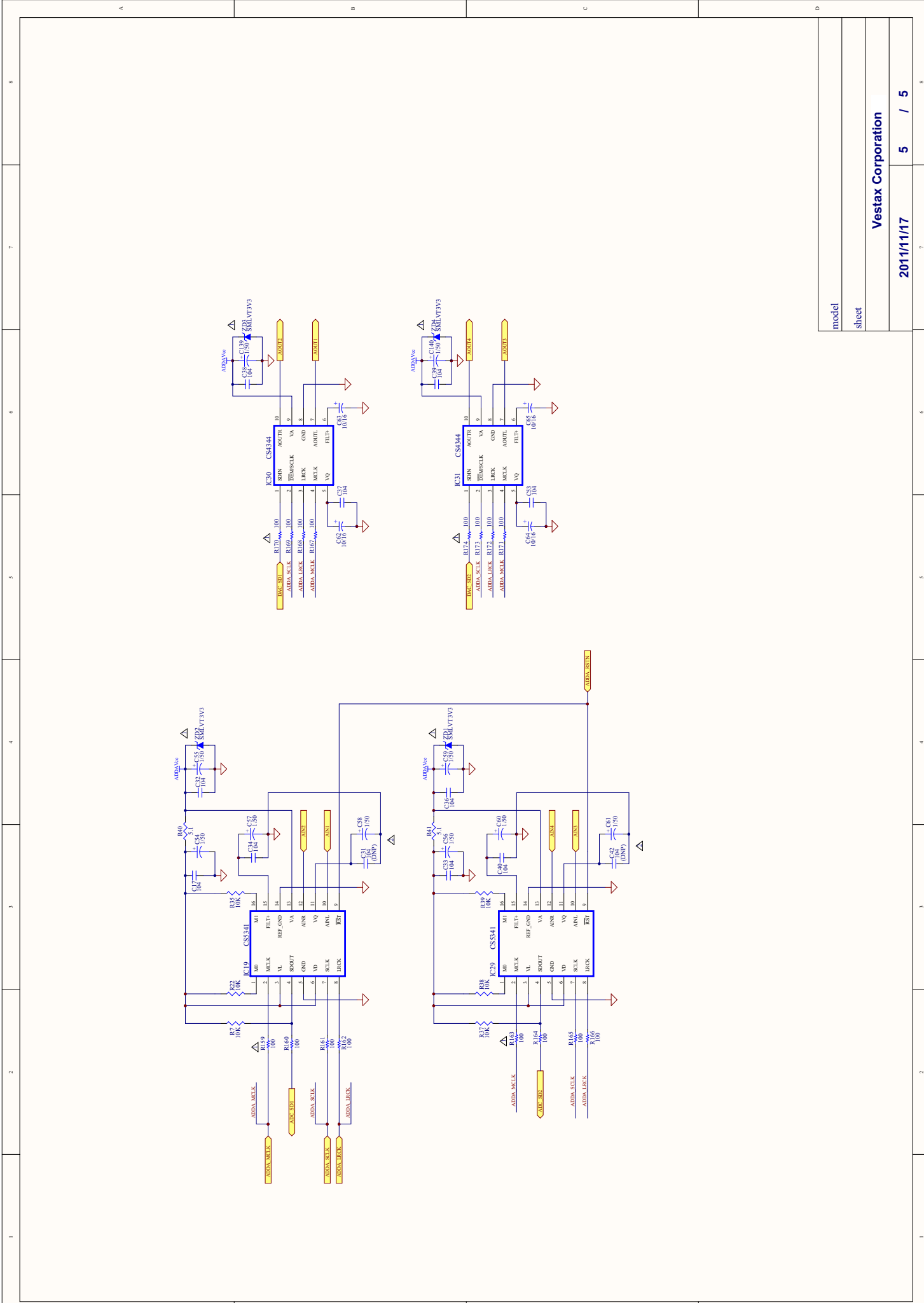
model **VCI-400**

sheet **SOUND_PCB (mic)**

Vestax Corporation

2011/11/17

4 / 4

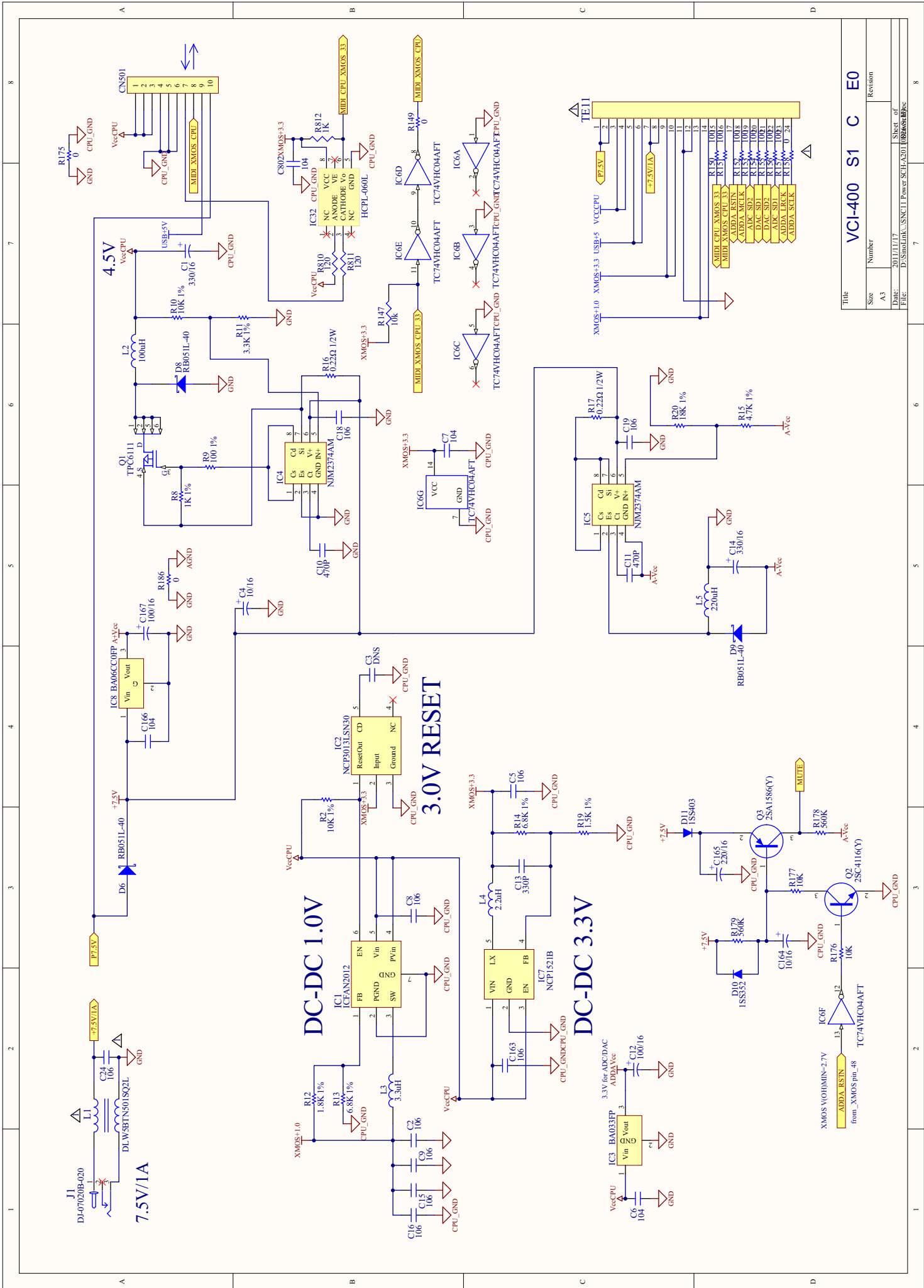


model
sheet

Vestax Corporation

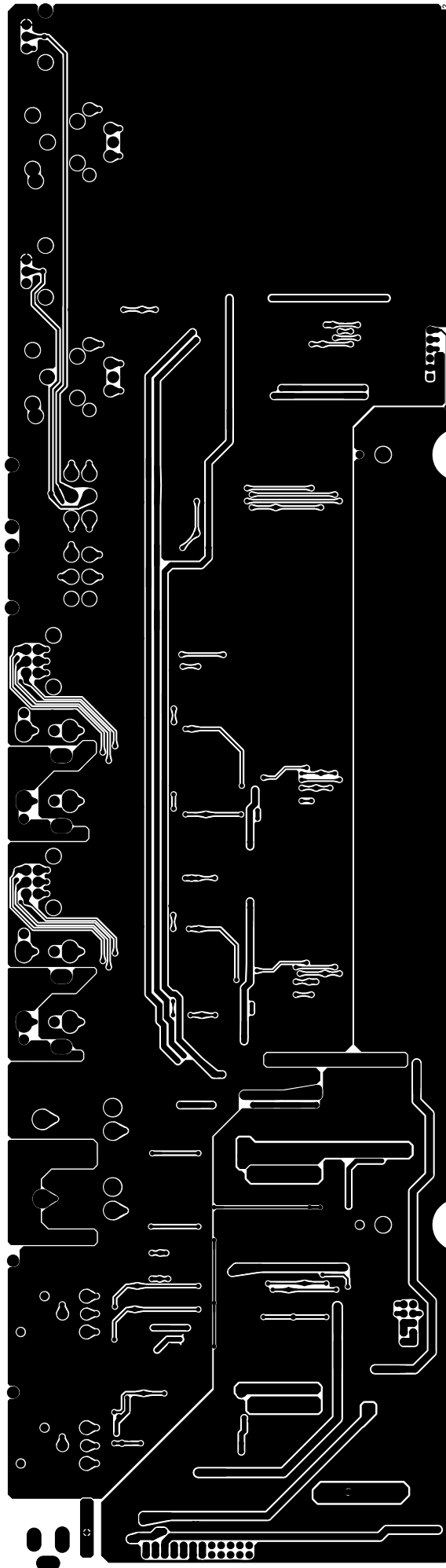
2011/11/17

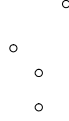
5 / 5



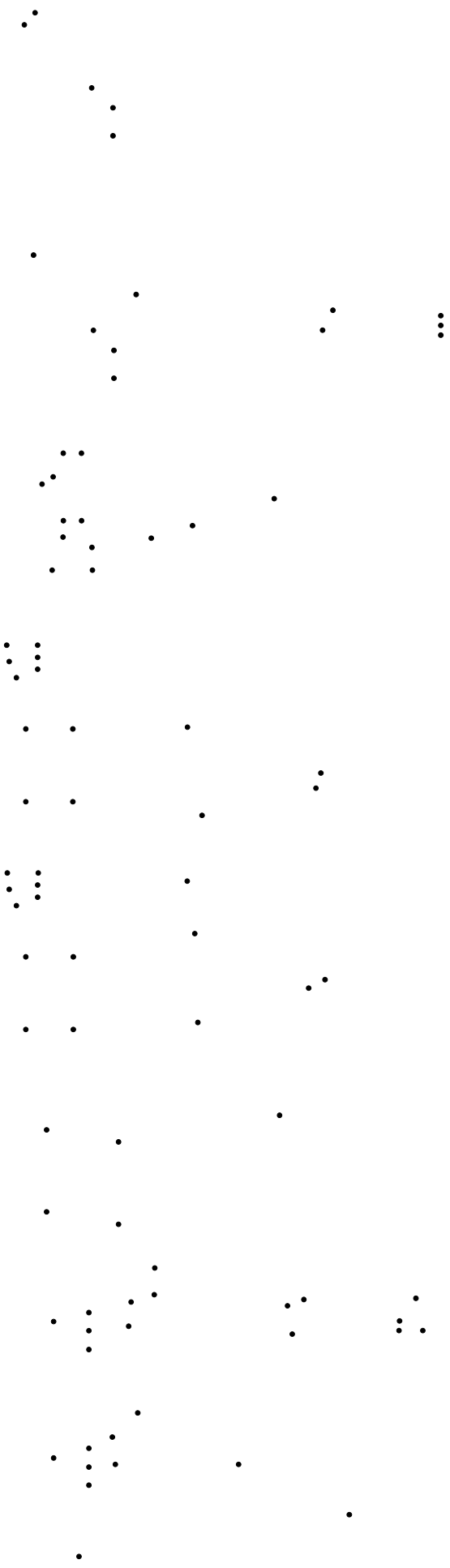
Title			
Size	Number	Revision	
Date:	2011/11/17	Sheet of	8
File:	D:\StandLink\SNCGIT Power S-Ch-A20110826\B0c		

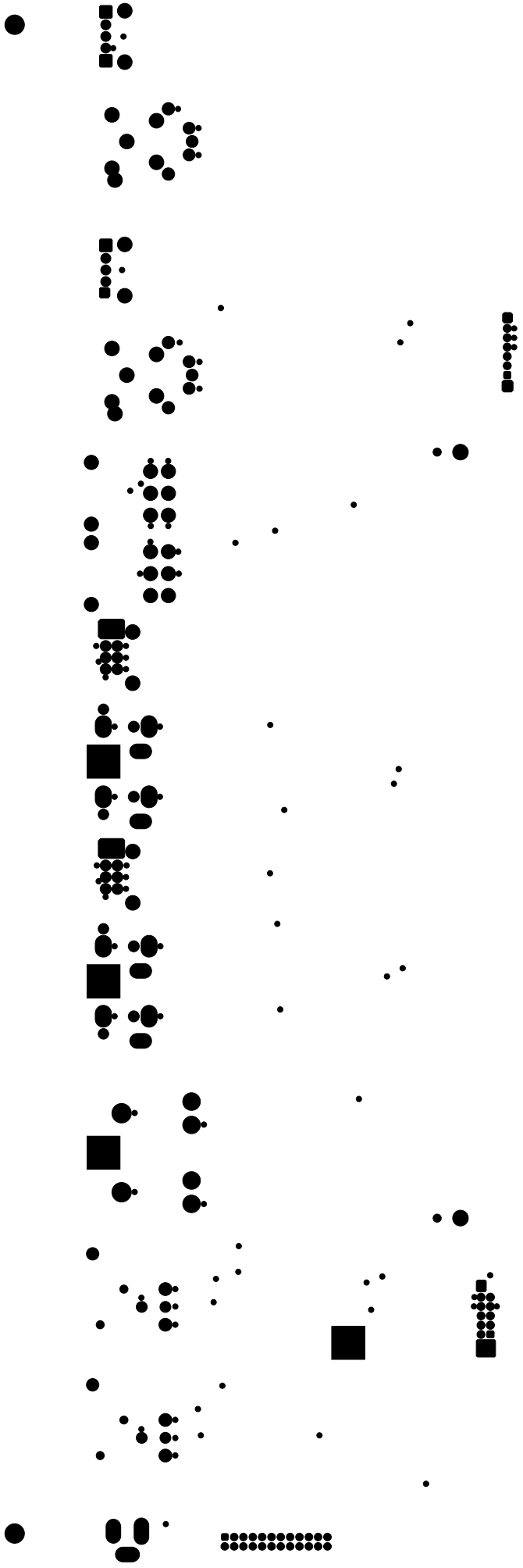
VCI-400 S1 C E0			
Size	Number	Revision	
Date:	2011/11/17	Sheet of	8
File:	D:\StandLink\SNCGIT Power S-Ch-A20110826\B0c		



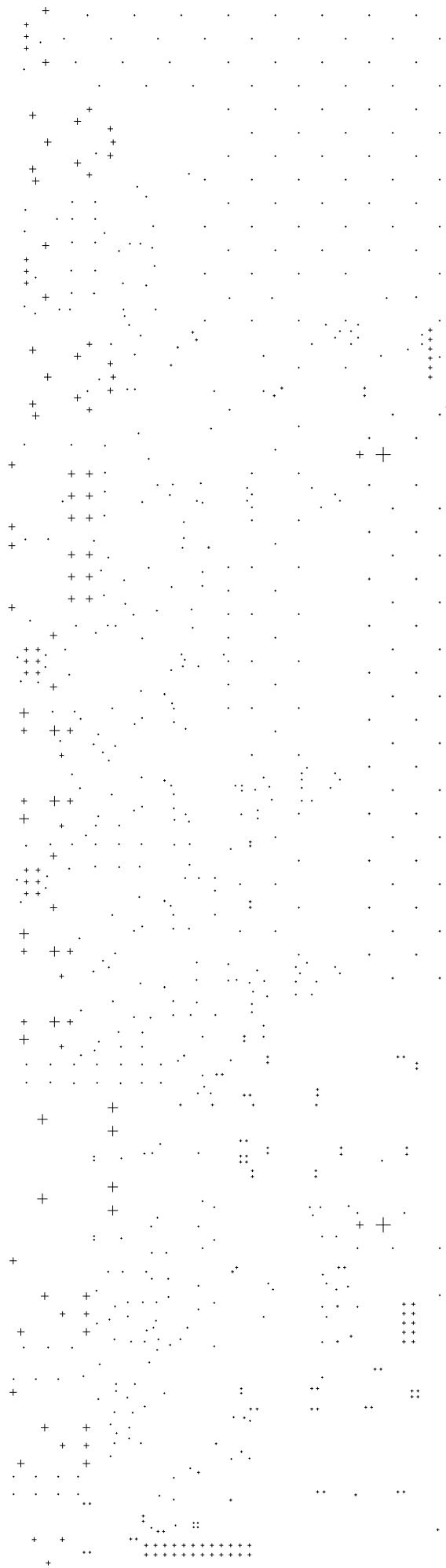


1
 2
 3
 4
 5
 6
 7
 8
 9
 10
 11
 12
 13
 14
 15
 16
 17
 18
 19
 20
 21
 22
 23
 24
 25
 26
 27
 28
 29
 30
 31
 32
 33
 34
 35
 36
 37
 38
 39
 40
 41
 42
 43
 44
 45
 46
 47
 48
 49
 50
 51
 52
 53
 54
 55
 56
 57
 58
 59
 60
 61
 62
 63
 64
 65
 66
 67
 68
 69
 70
 71
 72
 73
 74
 75
 76
 77
 78
 79
 80
 81
 82
 83
 84
 85
 86
 87
 88
 89
 90
 91
 92
 93
 94
 95
 96
 97
 98
 99
 100
 101
 102
 103
 104
 105
 106
 107
 108
 109
 110
 111
 112
 113
 114
 115
 116
 117
 118
 119
 120
 121
 122
 123
 124
 125
 126
 127
 128
 129
 130
 131
 132
 133
 134
 135
 136
 137
 138
 139
 140
 141
 142
 143
 144
 145
 146
 147
 148
 149
 150
 151
 152
 153
 154
 155
 156
 157
 158
 159
 160
 161
 162
 163
 164
 165
 166
 167
 168
 169
 170
 171
 172
 173
 174
 175
 176
 177
 178
 179
 180
 181
 182
 183
 184
 185
 186
 187
 188
 189
 190
 191
 192
 193
 194
 195
 196
 197
 198
 199
 200
 201
 202
 203
 204
 205
 206
 207
 208
 209
 210
 211
 212
 213
 214
 215
 216
 217
 218
 219
 220
 221
 222
 223
 224
 225
 226
 227
 228
 229
 230
 231
 232
 233
 234
 235
 236
 237
 238
 239
 240
 241
 242
 243
 244
 245
 246
 247
 248
 249
 250
 251
 252
 253
 254
 255
 256
 257
 258
 259
 260
 261
 262
 263
 264
 265
 266
 267
 268
 269
 270
 271
 272
 273
 274
 275
 276
 277
 278
 279
 280
 281
 282
 283
 284
 285
 286
 287
 288
 289
 290
 291
 292
 293
 294
 295
 296
 297
 298
 299
 300
 301
 302
 303
 304
 305
 306
 307
 308
 309
 310
 311
 312
 313
 314
 315
 316
 317
 318
 319
 320
 321
 322
 323
 324
 325
 326
 327
 328
 329
 330
 331
 332
 333
 334
 335
 336
 337
 338
 339
 340
 341
 342
 343
 344
 345
 346
 347
 348
 349
 350
 351
 352
 353
 354
 355
 356
 357
 358
 359
 360
 361
 362
 363
 364
 365
 366
 367
 368
 369
 370
 371
 372
 373
 374
 375
 376
 377
 378
 379
 380
 381
 382
 383
 384
 385
 386
 387
 388
 389
 390
 391
 392
 393
 394
 395
 396
 397
 398
 399
 400
 401
 402
 403
 404
 405
 406
 407
 408
 409
 410
 411
 412
 413
 414
 415
 416
 417
 418
 419
 420
 421
 422
 423
 424
 425
 426
 427
 428
 429
 430
 431
 432
 433
 434
 435
 436
 437
 438
 439
 440
 441
 442
 443
 444
 445
 446
 447
 448
 449
 450
 451
 452
 453
 454
 455
 456
 457
 458
 459
 460
 461
 462
 463
 464
 465
 466
 467
 468
 469
 470
 471
 472
 473
 474
 475
 476
 477
 478
 479
 480
 481
 482
 483
 484
 485
 486
 487
 488
 489
 490
 491
 492
 493
 494
 495
 496
 497
 498
 499
 500
 501
 502
 503
 504
 505
 506
 507
 508
 509
 510
 511
 512
 513
 514
 515
 516
 517
 518
 519
 520
 521
 522
 523
 524
 525
 526
 527
 528
 529
 530
 531
 532
 533
 534
 535
 536
 537
 538
 539
 540
 541
 542
 543
 544
 545
 546
 547
 548
 549
 550
 551
 552
 553
 554
 555
 556
 557
 558
 559
 560
 561
 562
 563
 564
 565
 566
 567
 568
 569
 570
 571
 572
 573
 574
 575
 576
 577
 578
 579
 580
 581
 582
 583
 584
 585
 586
 587
 588
 589
 590
 591
 592
 593
 594
 595
 596
 597
 598
 599
 600
 601
 602
 603
 604
 605
 606
 607
 608
 609
 610
 611
 612
 613
 614
 615
 616
 617
 618
 619
 620
 621
 622
 623
 624
 625
 626
 627
 628
 629
 630
 631
 632
 633
 634
 635
 636
 637
 638
 639
 640
 641
 642
 643
 644
 645
 646
 647
 648
 649
 650
 651
 652
 653
 654
 655
 656
 657
 658
 659
 660
 661
 662
 663
 664
 665
 666
 667
 668
 669
 670
 671
 672
 673
 674
 675
 676
 677
 678
 679
 680
 681
 682
 683
 684
 685
 686
 687
 688
 689
 690
 691
 692
 693
 694
 695
 696
 697
 698
 699
 700
 701
 702
 703
 704
 705
 706
 707
 708
 709
 710
 711
 712
 713
 714
 715
 716
 717
 718
 719
 720
 721
 722
 723
 724
 725
 726
 727
 728
 729
 730
 731
 732
 733
 734
 735
 736
 737
 738
 739
 740
 741
 742
 743
 744
 745
 746
 747
 748
 749
 750
 751
 752
 753
 754
 755
 756
 757
 758
 759
 760
 761
 762
 763
 764
 765
 766
 767
 768
 769
 770
 771
 772
 773
 774
 775
 776
 777
 778
 779
 780
 781
 782
 783
 784
 785
 786
 787
 788
 789
 790
 791
 792
 793
 794
 795
 796
 797
 798
 799
 800
 801
 802
 803
 804
 805
 806
 807
 808
 809
 810
 811
 812
 813
 814
 815
 816
 817
 818
 819
 820
 821
 822
 823
 824
 825
 826
 827
 828
 829
 830
 831
 832
 833
 834
 835
 836
 837
 838
 839
 840
 841
 842
 843
 844
 845
 846
 847
 848
 849
 850
 851
 852
 853
 854
 855
 856
 857
 858
 859
 860
 861
 862
 863
 864
 865
 866
 867
 868
 869
 870
 871
 872
 873
 874
 875
 876
 877
 878
 879
 880
 881
 882
 883
 884
 885
 886
 887
 888
 889
 890
 891
 892
 893
 894
 895
 896
 897
 898
 899
 900
 901
 902
 903
 904
 905
 906
 907
 908
 909
 910
 911
 912
 913
 914
 915
 916
 917
 918
 919
 920
 921
 922
 923
 924
 925
 926
 927
 928
 929
 930
 931
 932
 933
 934
 935
 936
 937
 938
 939
 940
 941
 942
 943
 944
 945
 946
 947
 948
 949
 950
 951
 952
 953
 954
 955
 956
 957
 958
 959
 960
 961
 962
 963
 964
 965
 966
 967
 968
 969
 970
 971
 972
 973
 974
 975
 976
 977
 978
 979
 980
 981
 982
 983
 984
 985
 986
 987
 988
 989
 990
 991
 992
 993
 994
 995
 996
 997
 998
 999
 1000
 1001
 1002
 1003
 1004
 1005
 1006
 1007
 1008
 1009
 1010
 1011
 1012
 1013
 1014
 1015
 1016
 1017
 1018
 1019
 1020
 1021
 1022
 1023
 1024
 1025
 1026
 1027
 1028
 1029
 1030
 1031
 1032
 1033
 1034
 1035
 1036
 1037
 1038
 1039
 1040
 1041
 1042
 1043
 1044
 1045
 1046
 1047
 1048
 1049
 1050
 1051
 1052
 1053
 1054
 1055
 1056
 1057
 1058
 1059
 1060
 1061
 1062
 1063
 1064
 1065
 1066
 1067
 1068
 1069
 1070
 1071
 1072
 1073
 1074
 1075
 1076
 1077
 1078
 1079
 1080
 1081
 1082
 1083
 1084
 1085
 1086
 1087
 1088
 1089
 1090
 1091
 1092
 1093
 1094
 1095
 1096
 1097
 1098
 1099
 1100
 1101
 1102
 1103
 1104
 1105
 1106
 1107
 1108
 1109
 1110
 1111
 1112
 1113
 1114
 1115
 1116
 1117
 1118
 1119
 1120
 1121
 1122
 1123
 1124
 1125
 1126
 1127
 1128
 1129
 1130
 1131
 1132
 1133
 1134
 1135
 1136
 1137
 1138
 1139
 1140
 1141
 1142
 1143
 1144
 1145
 1146
 1147
 1148
 1149
 1150
 1151
 1152
 1153
 1154
 1155
 1156
 1157
 1158
 1159
 1160
 1161
 1162
 1163
 1164
 1165
 1166
 1167
 1168
 1169
 1170
 1171
 1172
 1173
 1174
 1175
 1176
 1177
 1178
 1179
 1180
 1181
 1182
 1183
 1184
 1185
 1186
 1187
 1188
 1189
 1190
 1191
 1192
 1193
 1194
 1195
 1196
 1197
 1198
 1199
 1200
 1201
 1202
 1203
 1204
 1205
 1206
 1207
 1208
 1209
 1210
 1211
 1212
 1213
 1214
 1215
 1216
 1217
 1218
 1219
 1220
 1221
 1222
 1223
 1224
 1225
 1226
 1227
 1228
 1229
 1230
 1231
 1232
 1233
 1234
 1235
 1236
 1237
 1238
 1239
 1240
 1241
 1242
 1243
 1244
 1245
 1246
 1247
 1248
 1249
 1250
 1251
 1252
 1253
 1254
 1255
 1256
 1257
 1258
 1259
 1260
 1261
 1262
 1263
 1264
 1265
 1266
 1267
 1268
 1269
 1270
 1271
 1272
 1273
 1274
 1275
 1276
 1277
 1278
 1279
 1280
 1281
 1282
 1283
 1284
 1285
 1286
 1287
 1288
 1289
 1290
 1291
 1292
 1293
 1294
 1295
 1296
 1297
 1298
 1299
 1300
 1301
 1302
 1303
 1304
 1305
 1306
 1307
 1308
 1309
 1310
 1311
 1312
 1313
 1314
 1315
 1316
 1317
 1318
 1319
 1320
 1321
 1322
 1323
 1324
 1325
 1326
 1327
 1328
 1329
 1330
 1331
 1332
 1333
 1334
 1335
 1336
 1337
 1338
 1339
 1340
 1341
 1342
 1343
 1344
 1345
 1346
 1347
 1348
 1349
 1350
 1351
 1352
 1353
 1354
 1355
 1356
 1357
 1358
 1359
 1360
 1361
 1362
 1363
 1364
 1365
 1366
 1367
 1368
 1369
 1370
 1371
 1372
 1373
 1374
 1375
 1376
 1377
 1378
 1379
 1380
 1381
 1382
 1383
 1384
 1385
 1386
 1387
 1388
 1389
 1390
 1391
 1392
 1393
 1394
 1395
 1396
 1397
 1398
 1399
 1400
 1401
 1402
 1403
 1404
 1405

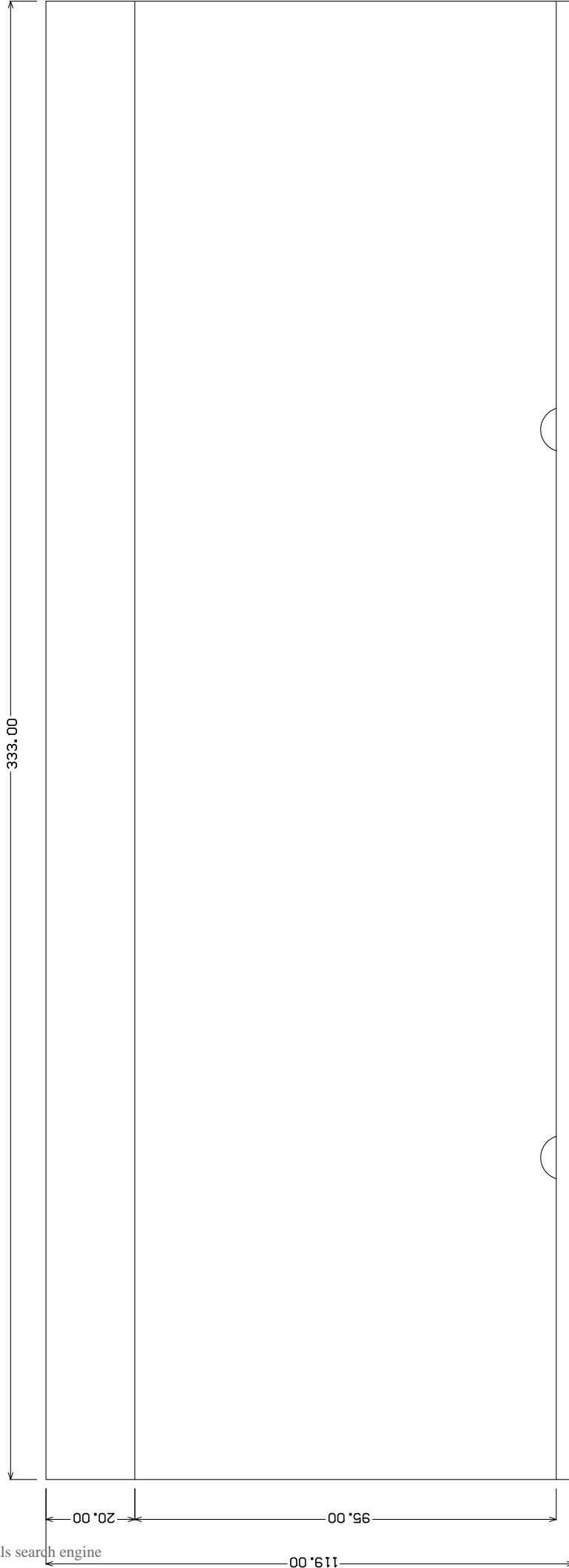


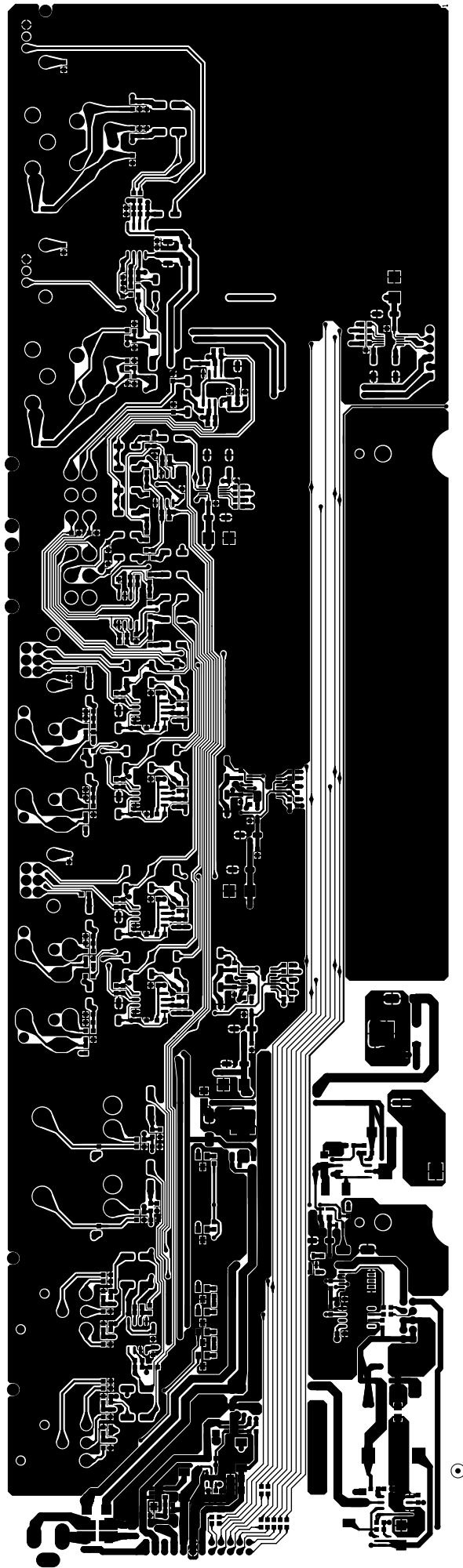


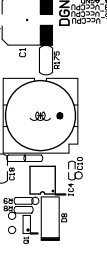
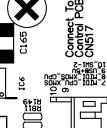
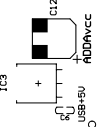
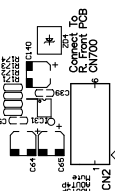
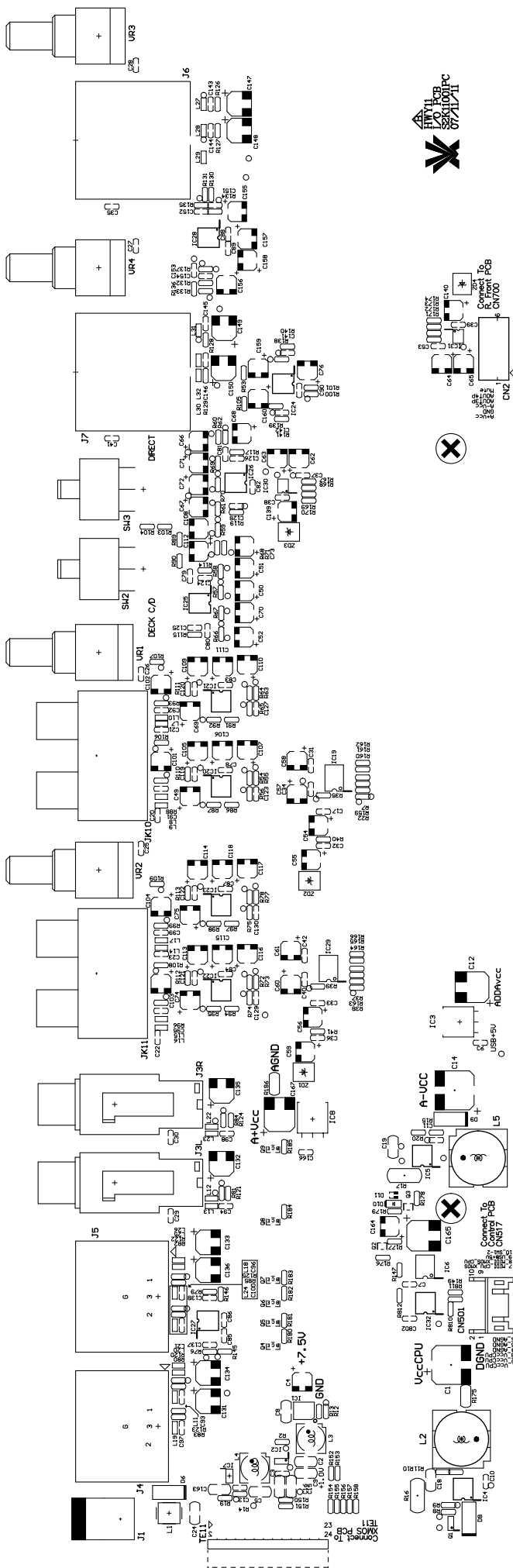
+

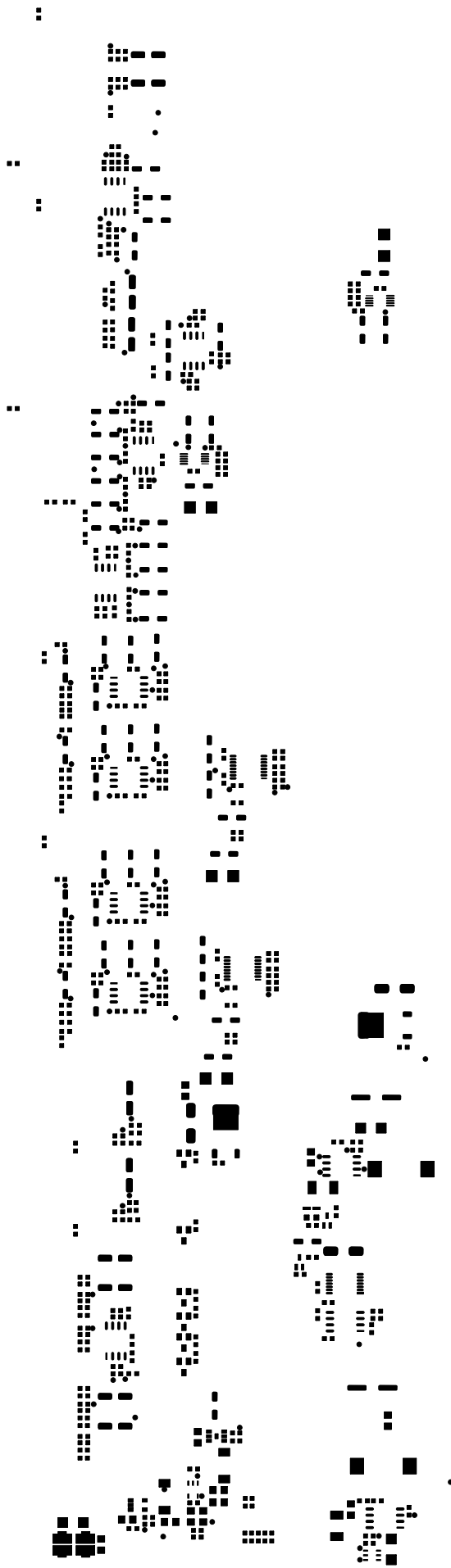


+







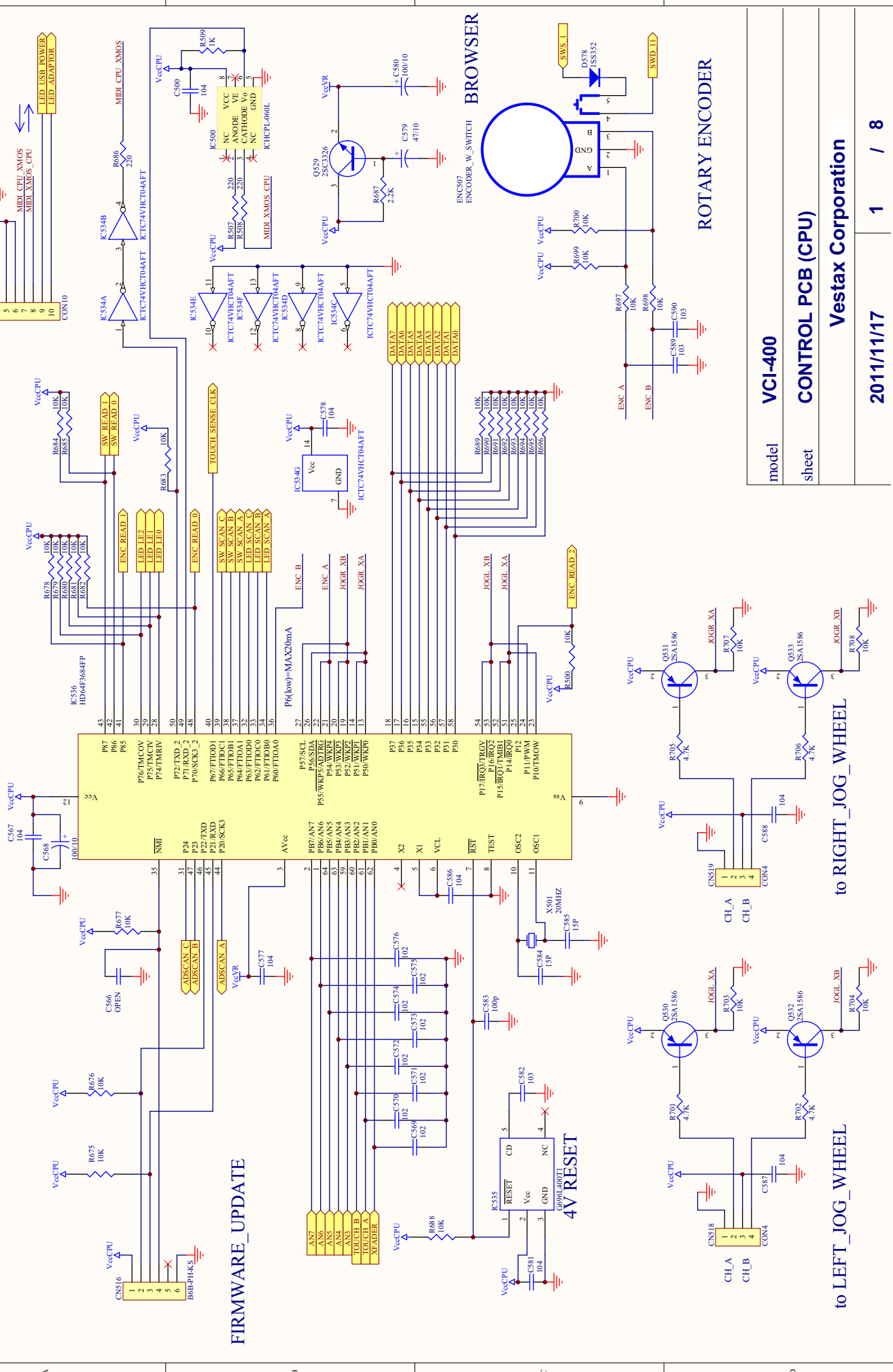




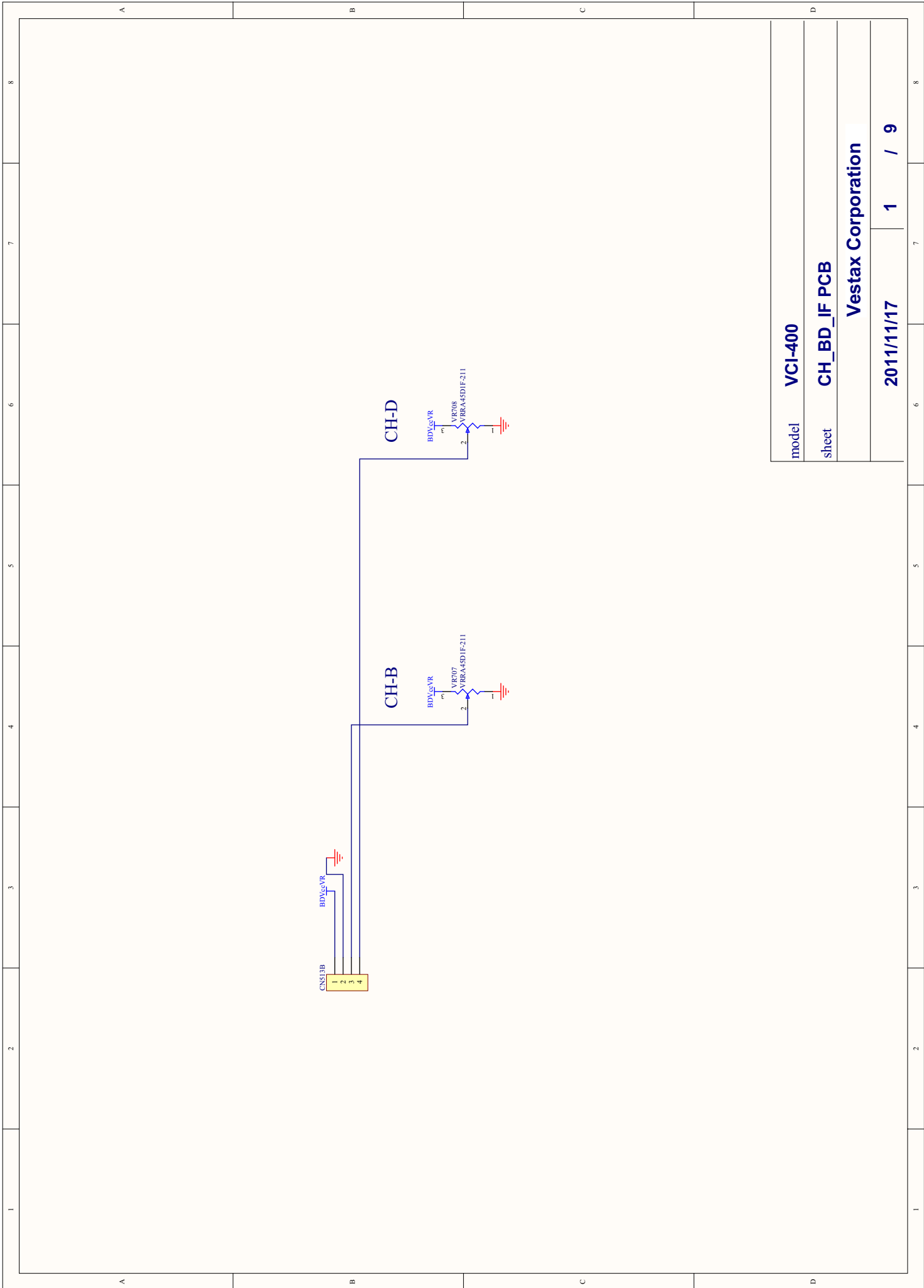
to SOUND_BOARD

BOOT_MODE=PR5=H

FIRMWARE_UPDATE



model	VCI-400
sheet	CONTROL PCB (CPU)
	Vestax Corporation
	2011/11/17
	1 / 8

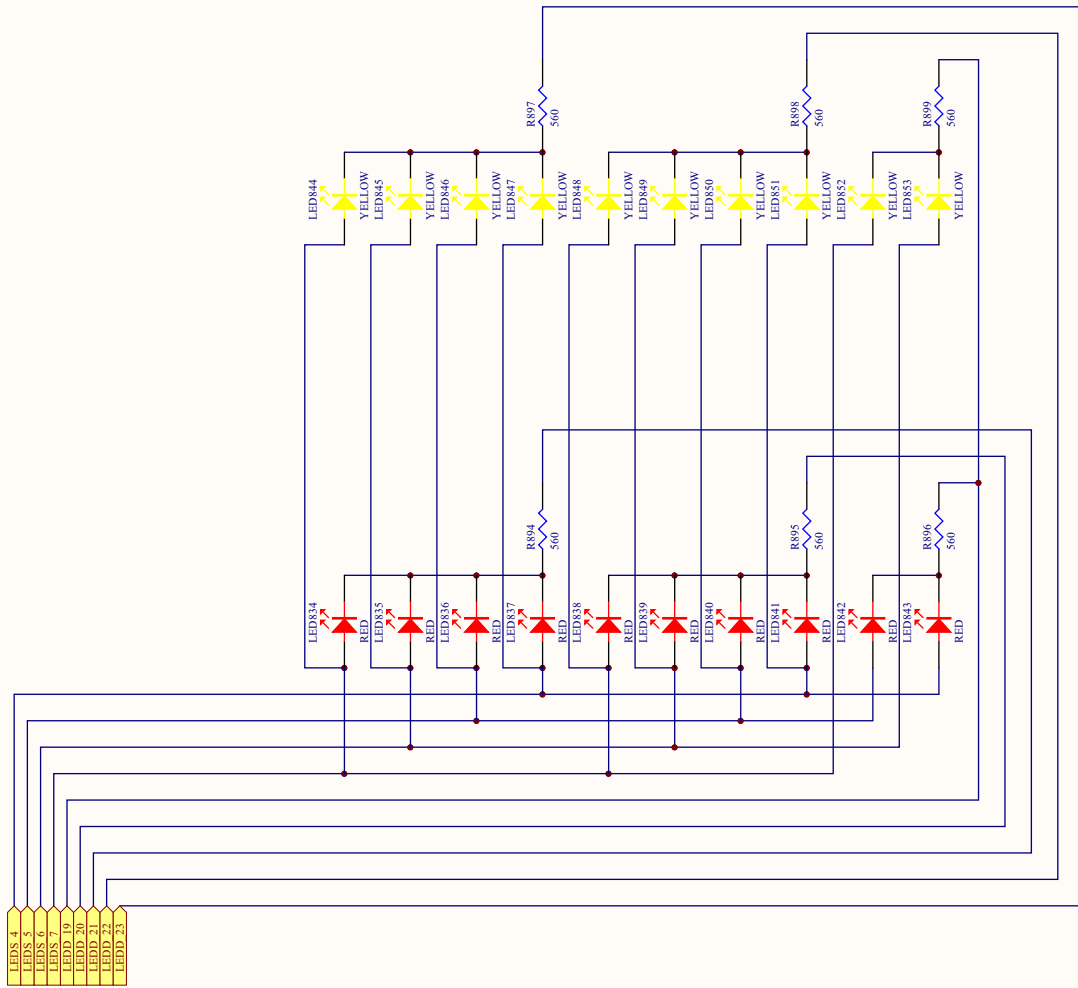


model VCI-400

sheet CH_BD_IF PCB

Vestax Corporation

2011/11/17 1 / 9

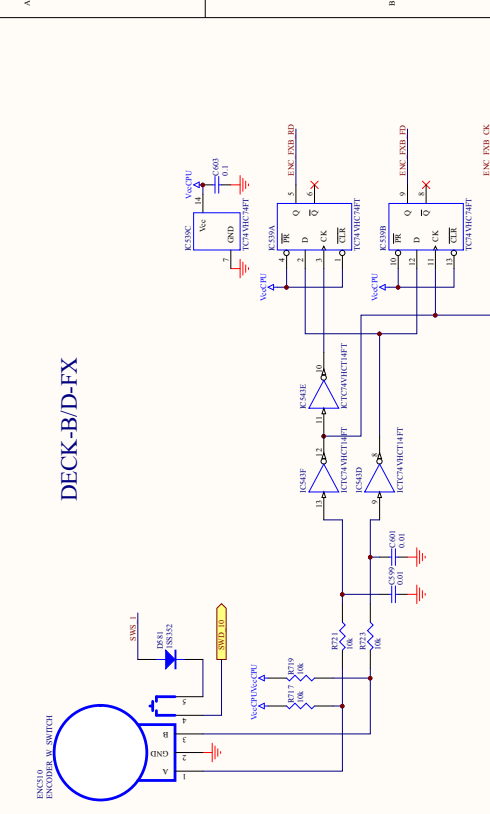


model **VCI-400**

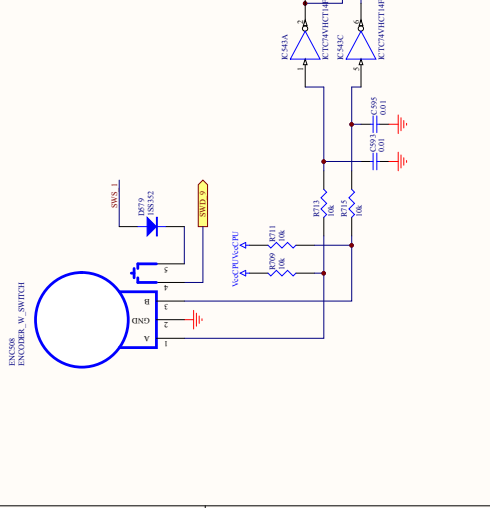
sheet **CH_BD_IF PCB**

Vestax Corporation

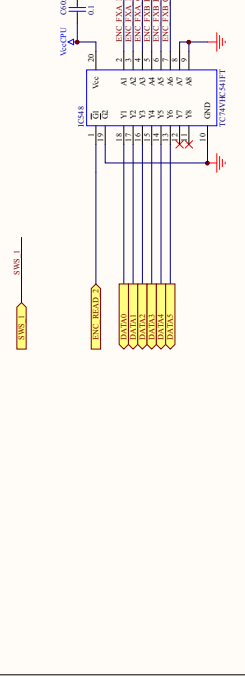
2011/11/17 1 / 9



DECK-A/C-FX



DECK-B/D-FX

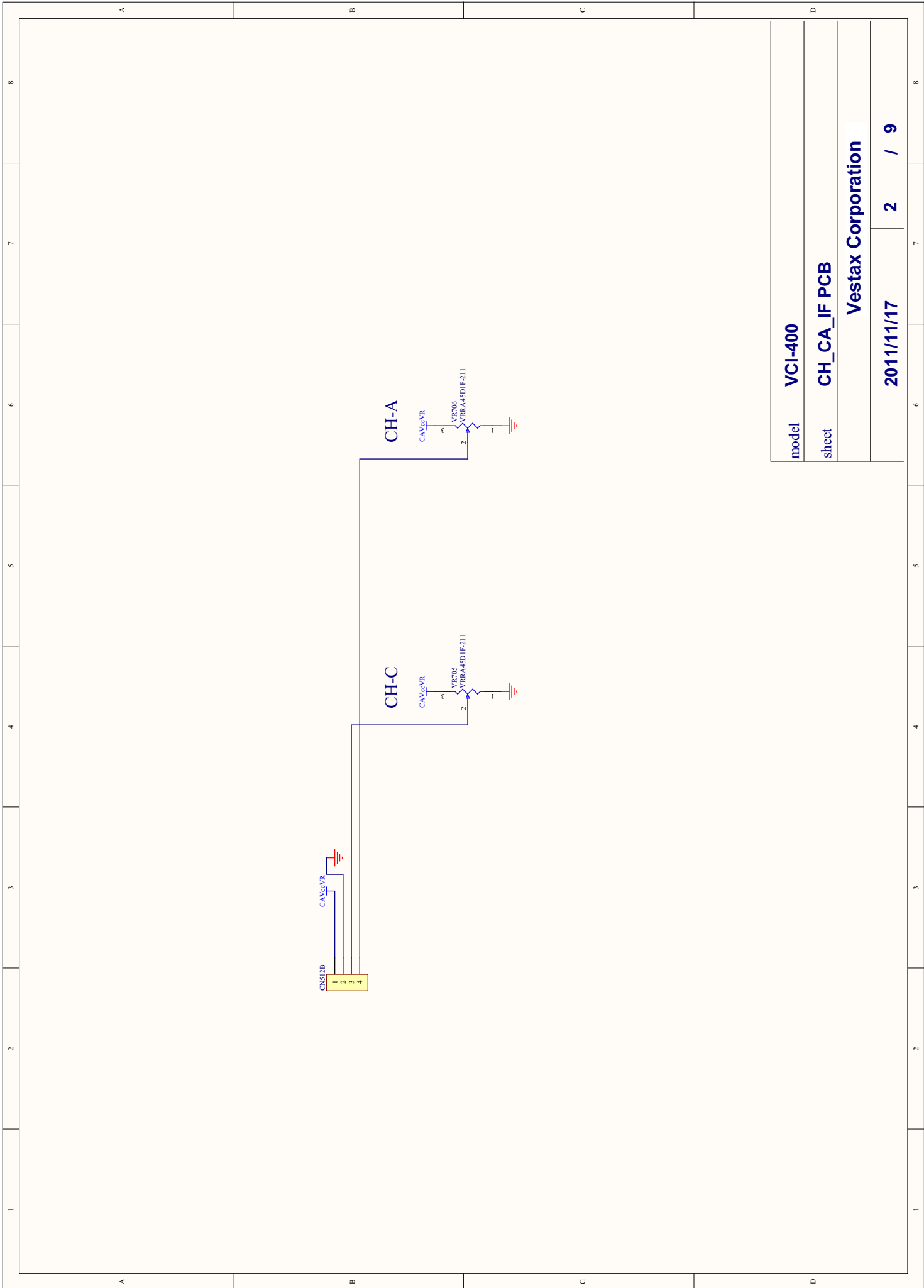


model
sheet

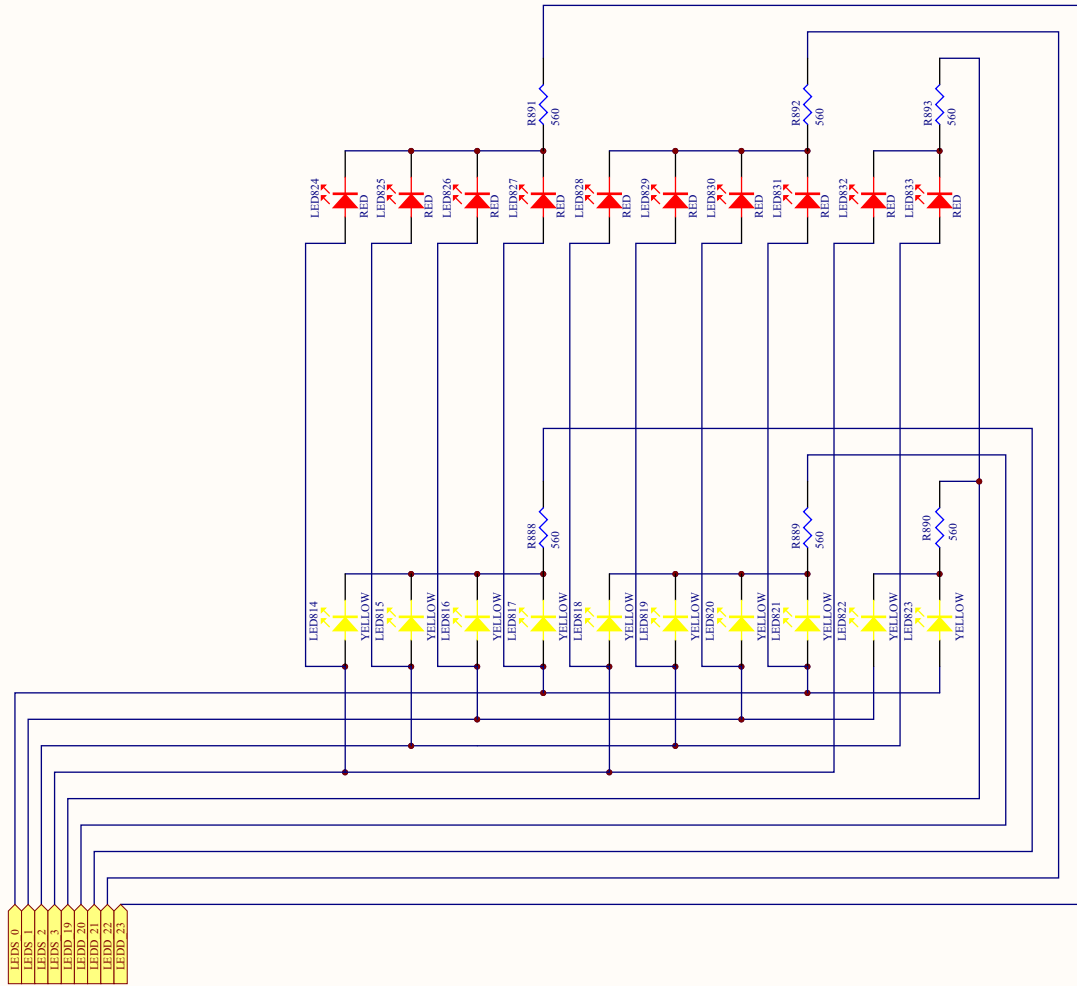
Vestax Corporation

2011/11/17

2 / 8



model	VCI-400	
sheet	CH_CA_IF PCB	
Vestax Corporation		
	2011/11/17	2 / 9



model **VCI-400**

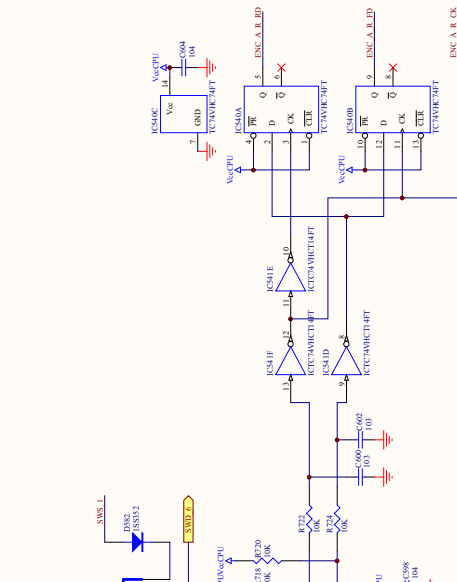
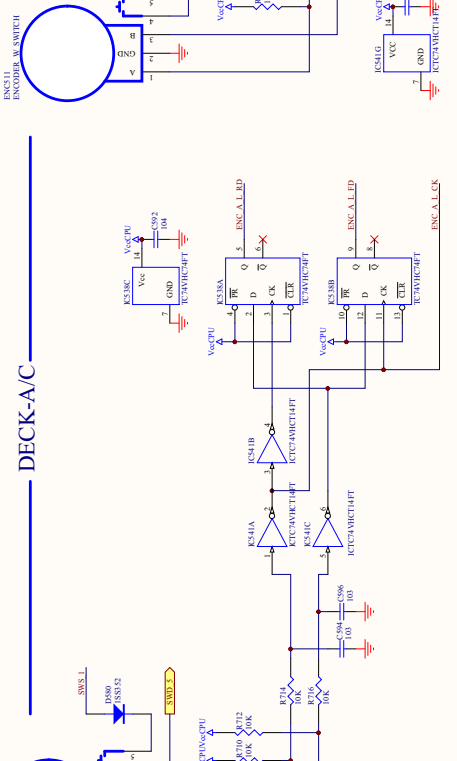
sheet **CH_CA_IF PCB**

Vestax Corporation

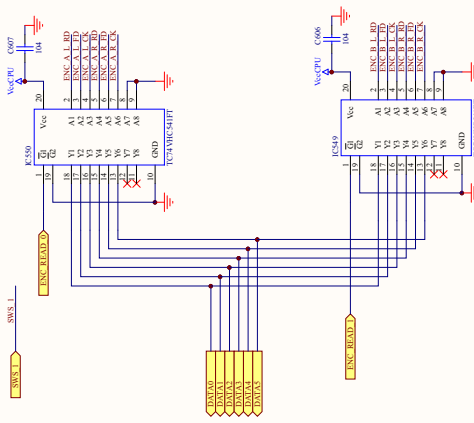
2011/11/17 **2 / 9**

ENC299
ENCODER_W_SWITCH

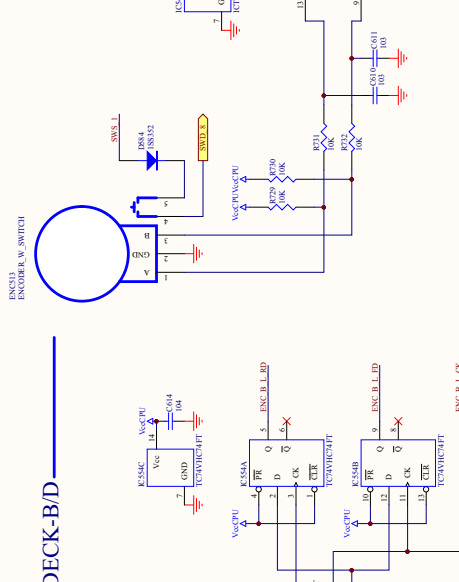
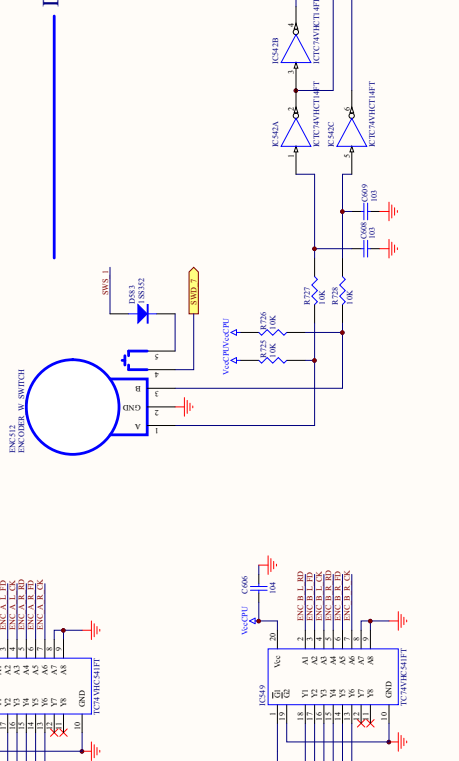
DECK-A/C



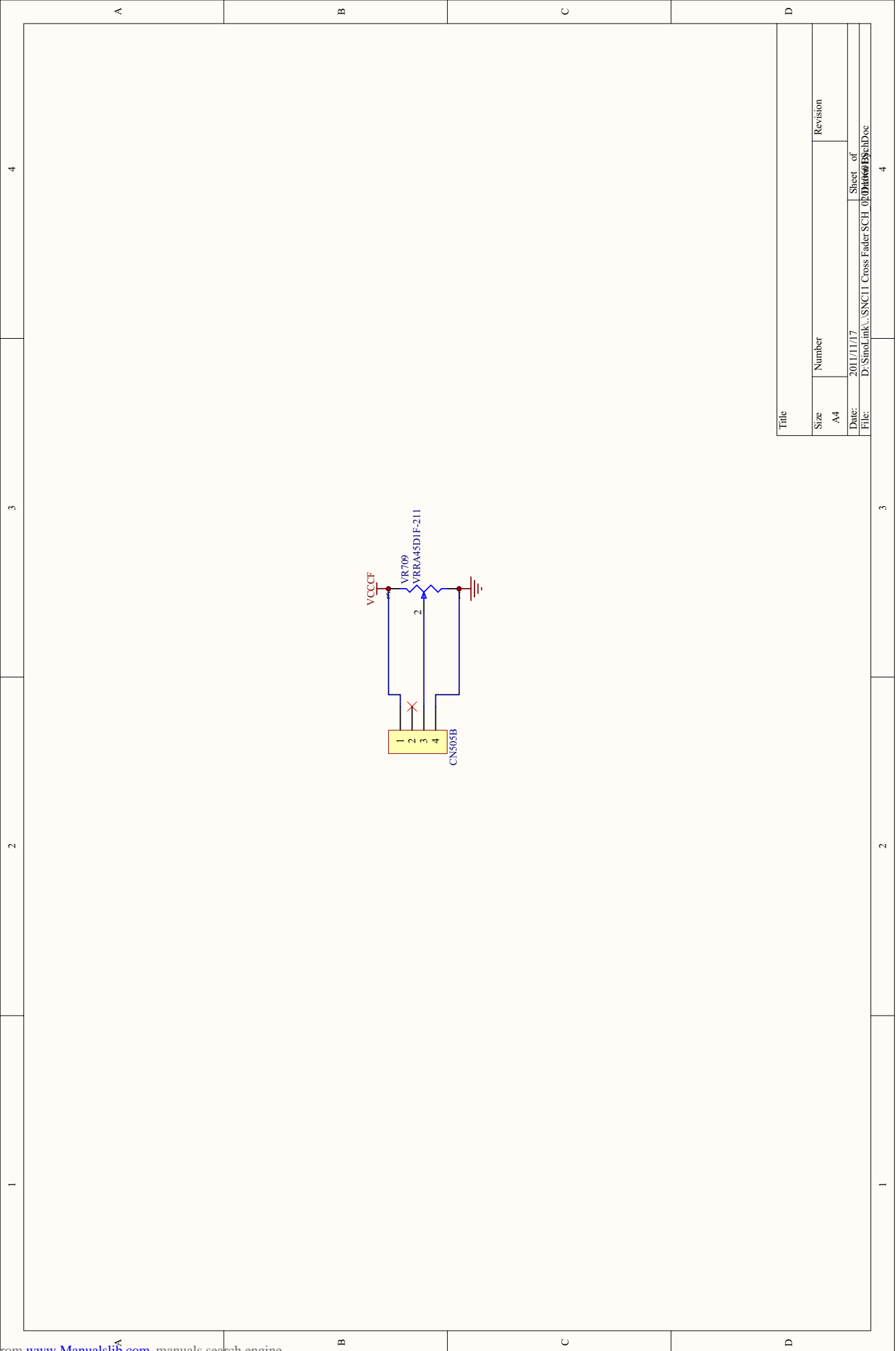
SWLS1



DECK-B/D



model	VCI-400
sheet	CONTROL PCB (ENC)
	Vestax Corporation
	2011/11/17
	3 / 8

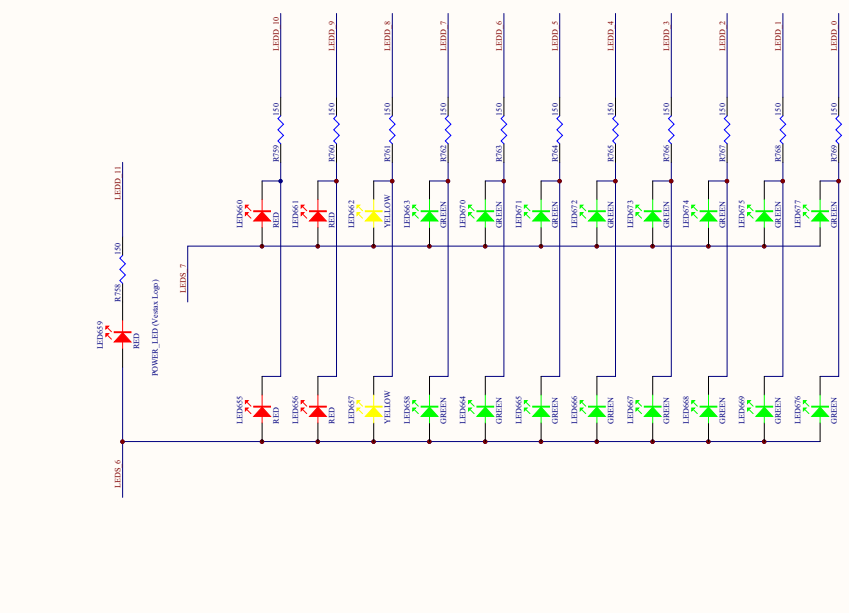
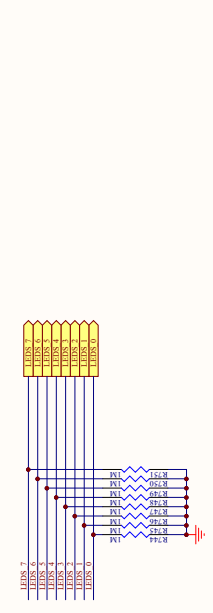


Title

Size	Number	Revision
A4		

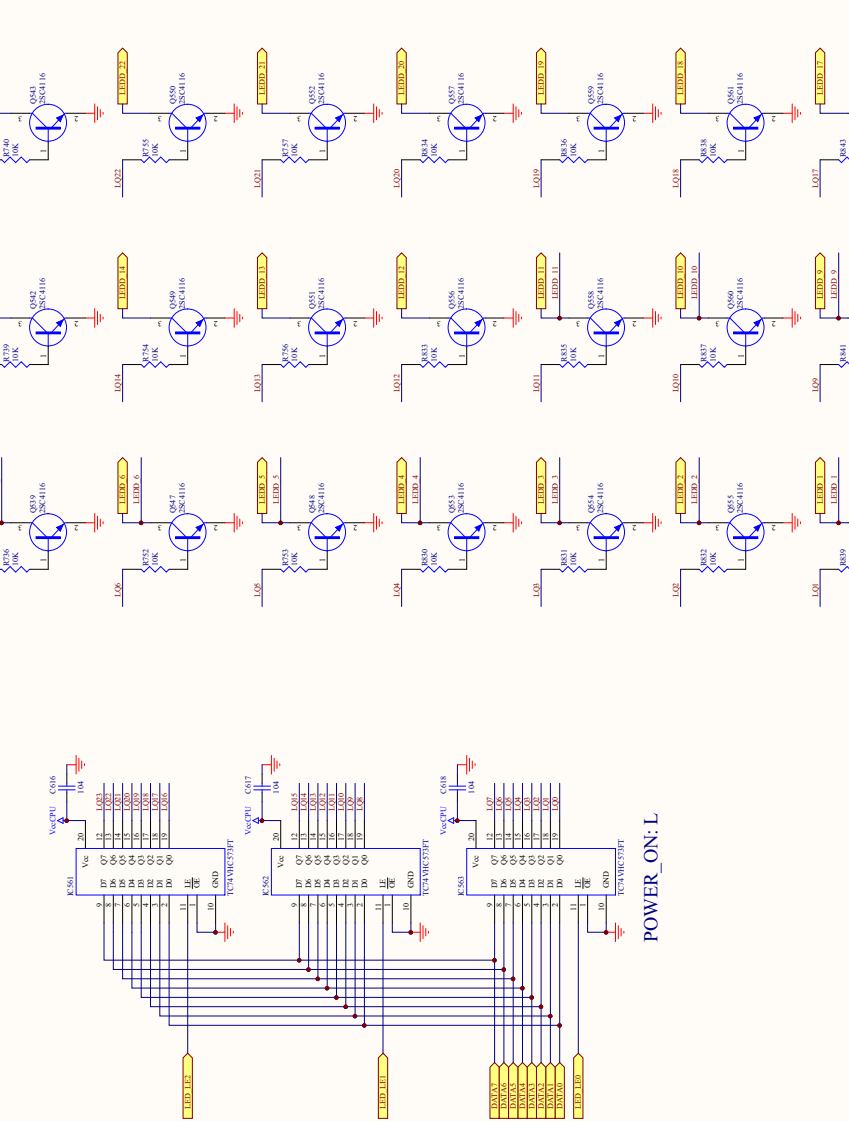
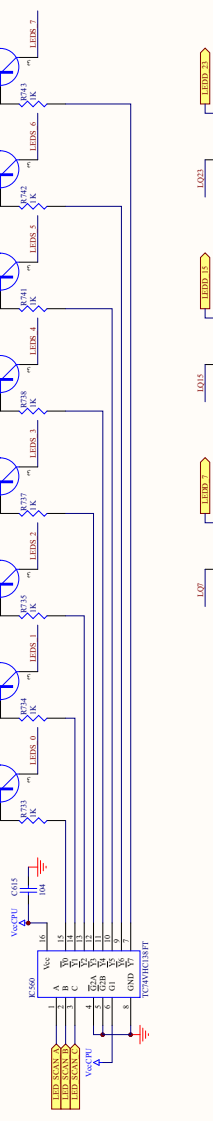
Date: 2011/11/17
 File: D:\SinoLink\...\SNC11 Cross Fader SCH_02\H160015Sch1Doc

Sheet of 4



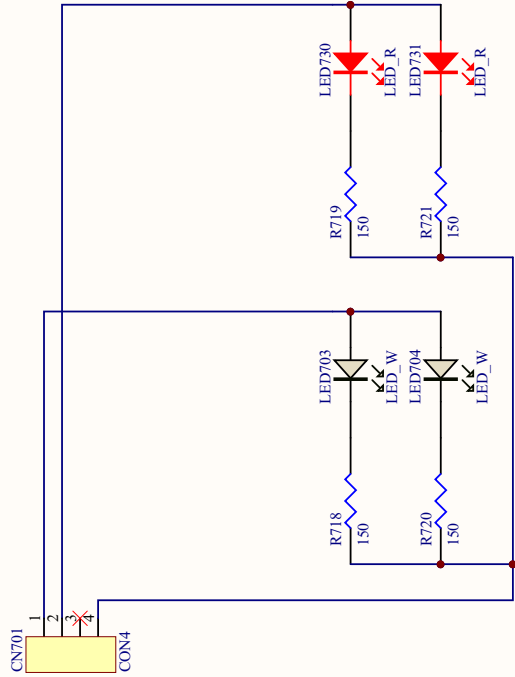
LEVEL_METER

model	VCI-400
sheet	CONTROL PCB (LEDLEVEL)
2011/11/17	4 / 8



POWER_ON: L

model	VCI-400
sheet	CONTROL PCB (LEDLEVEL)
2011/11/17	4 / 8



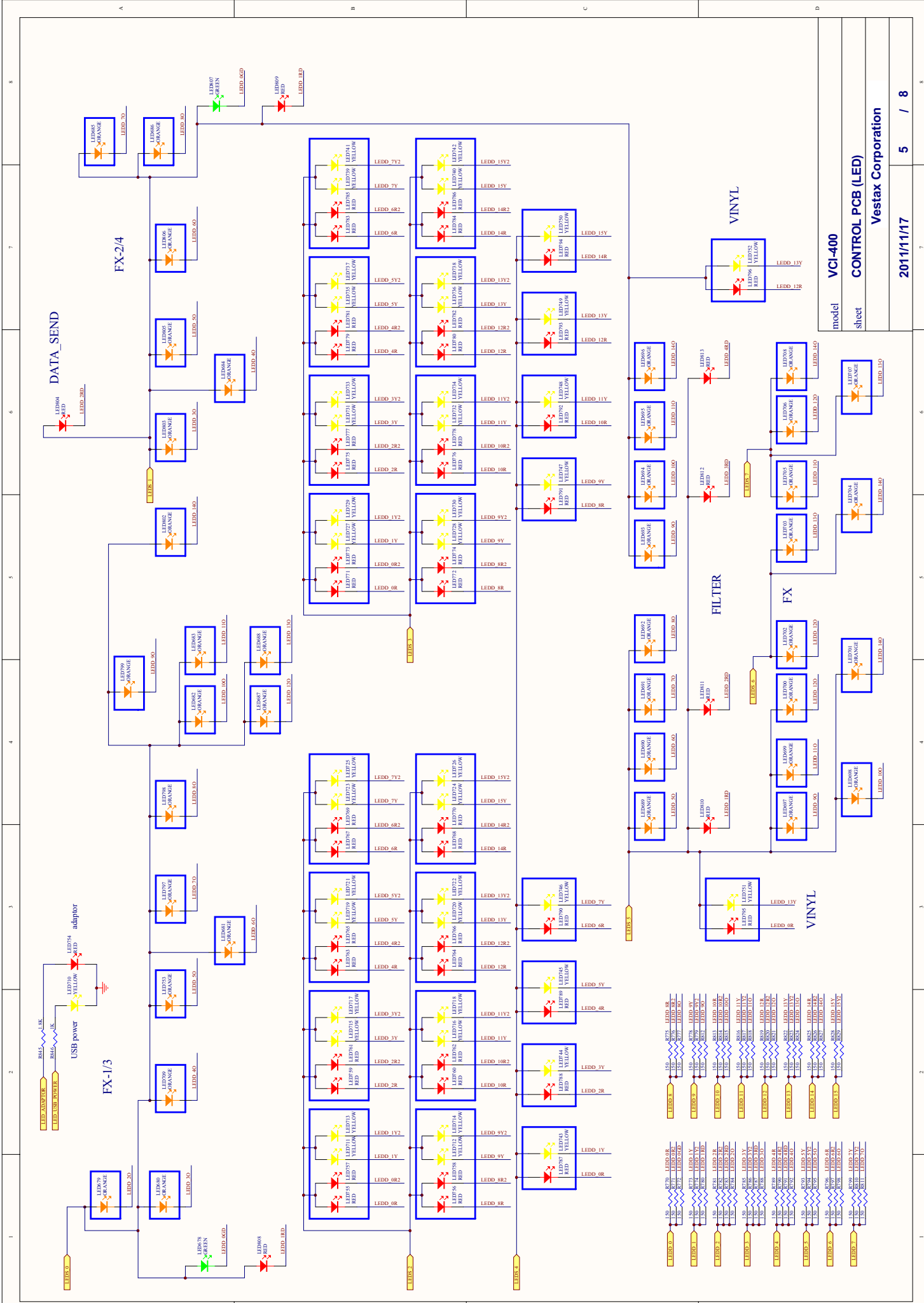
model

sheet

Vestax Corporation

2011/11/17

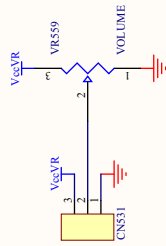
5 / 9



model **VCI-400**
 sheet **CONTROL PCB (LED)**
 Vestax Corporation

2011/11/17 5 / 8

WET/DRY



model **VCI-400**

sheet **CONTROL PCB (WET-ARY)**

Vestax Corporation

2011/11/17 8 / 8

4

3

2

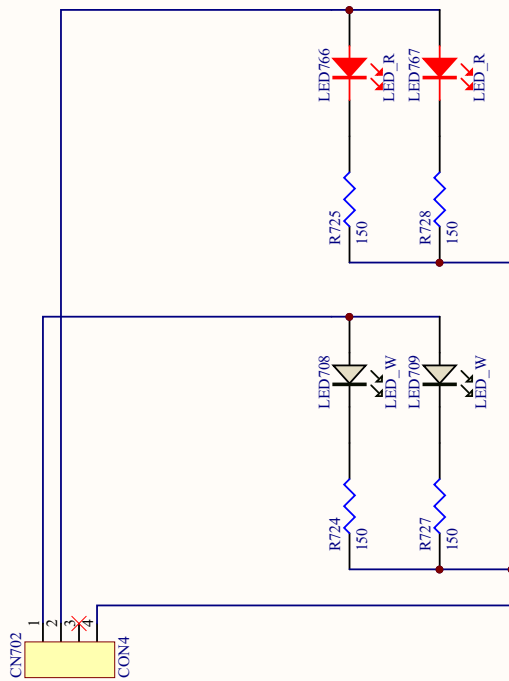
1

A

B

C

D



model **VCI-400**

sheet **RIGHT_JOG PCB**

Vestax Corporation

2011/11/17

8 / 9

3

2

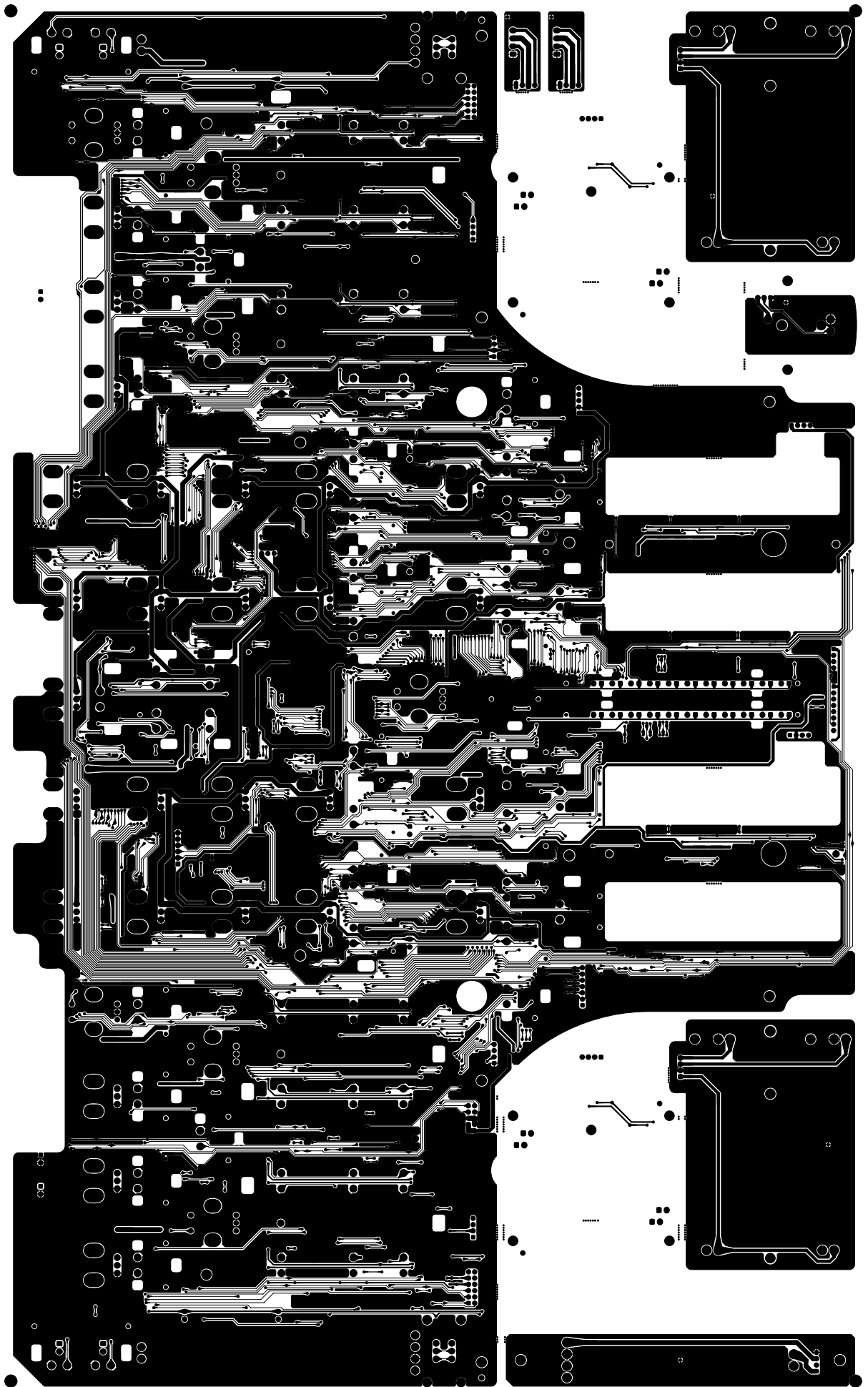
1

A

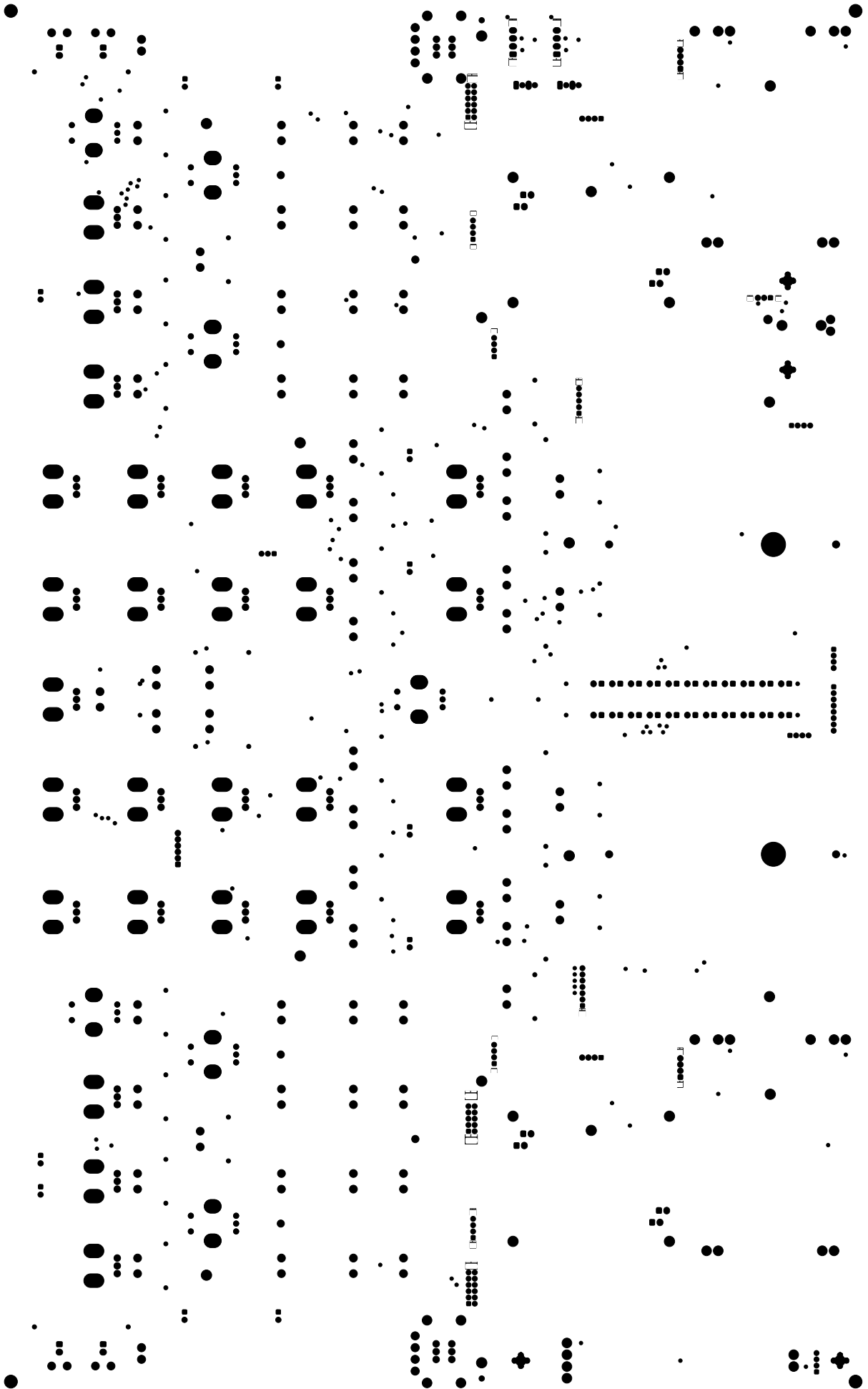
B

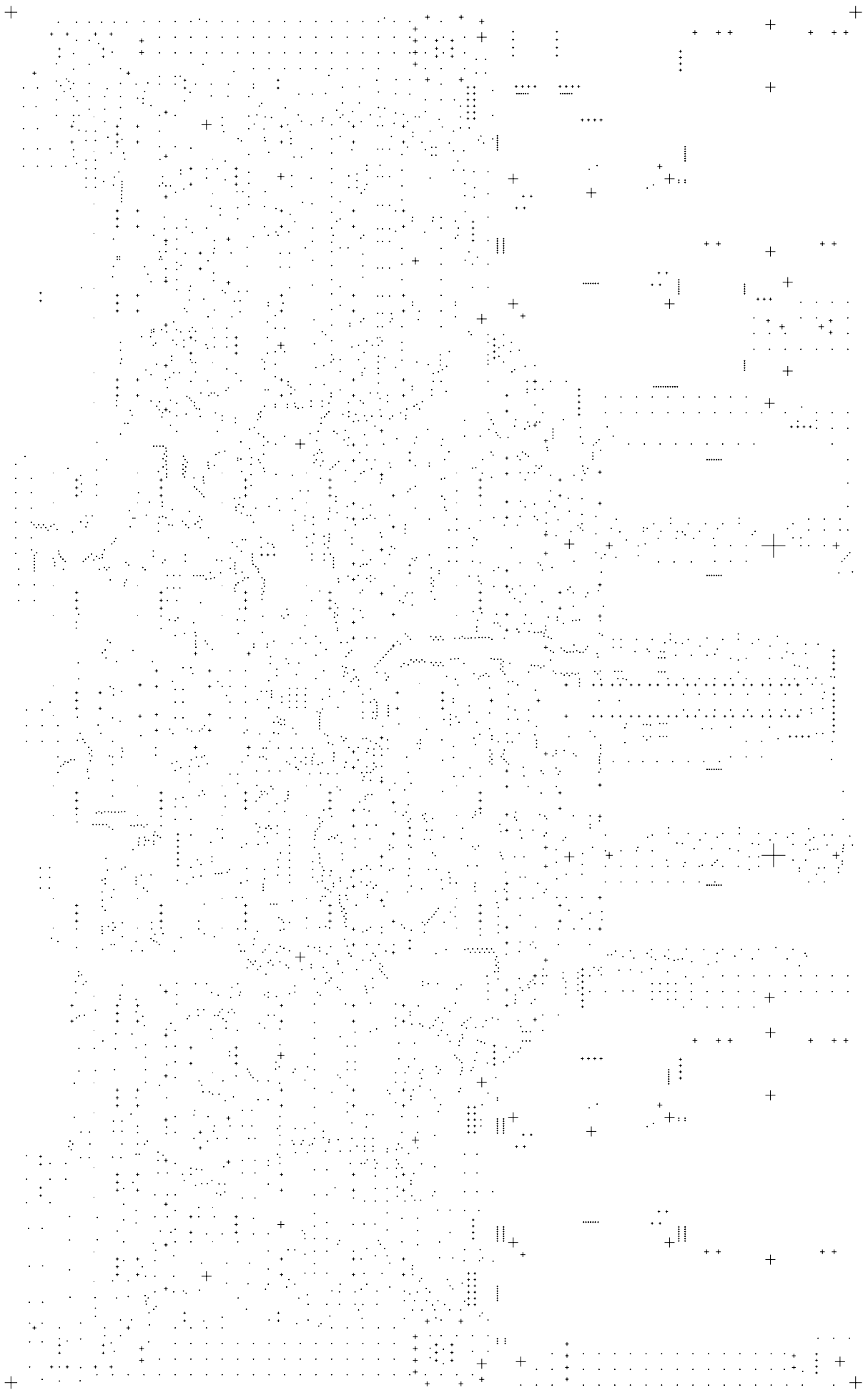
C

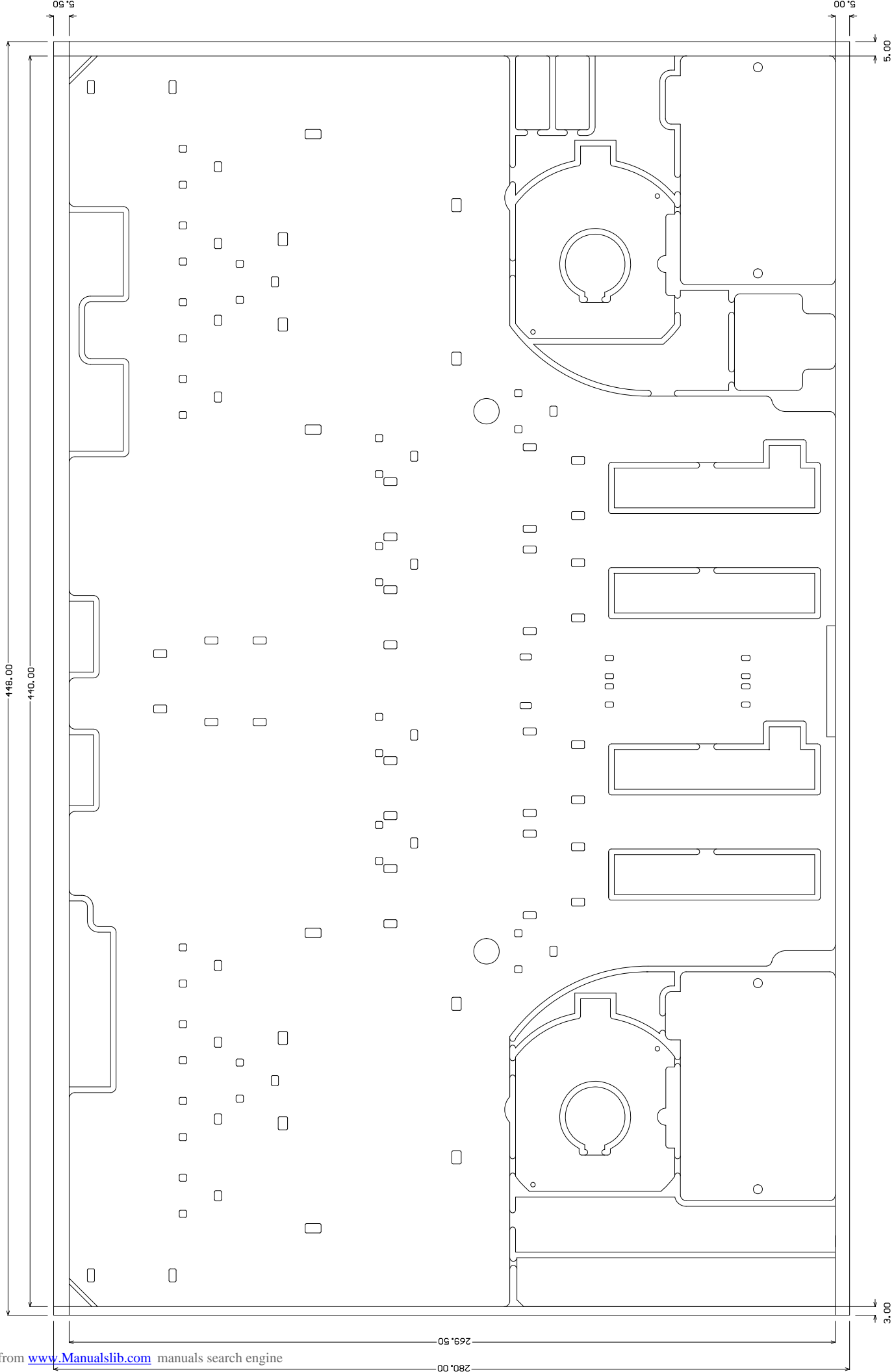
D

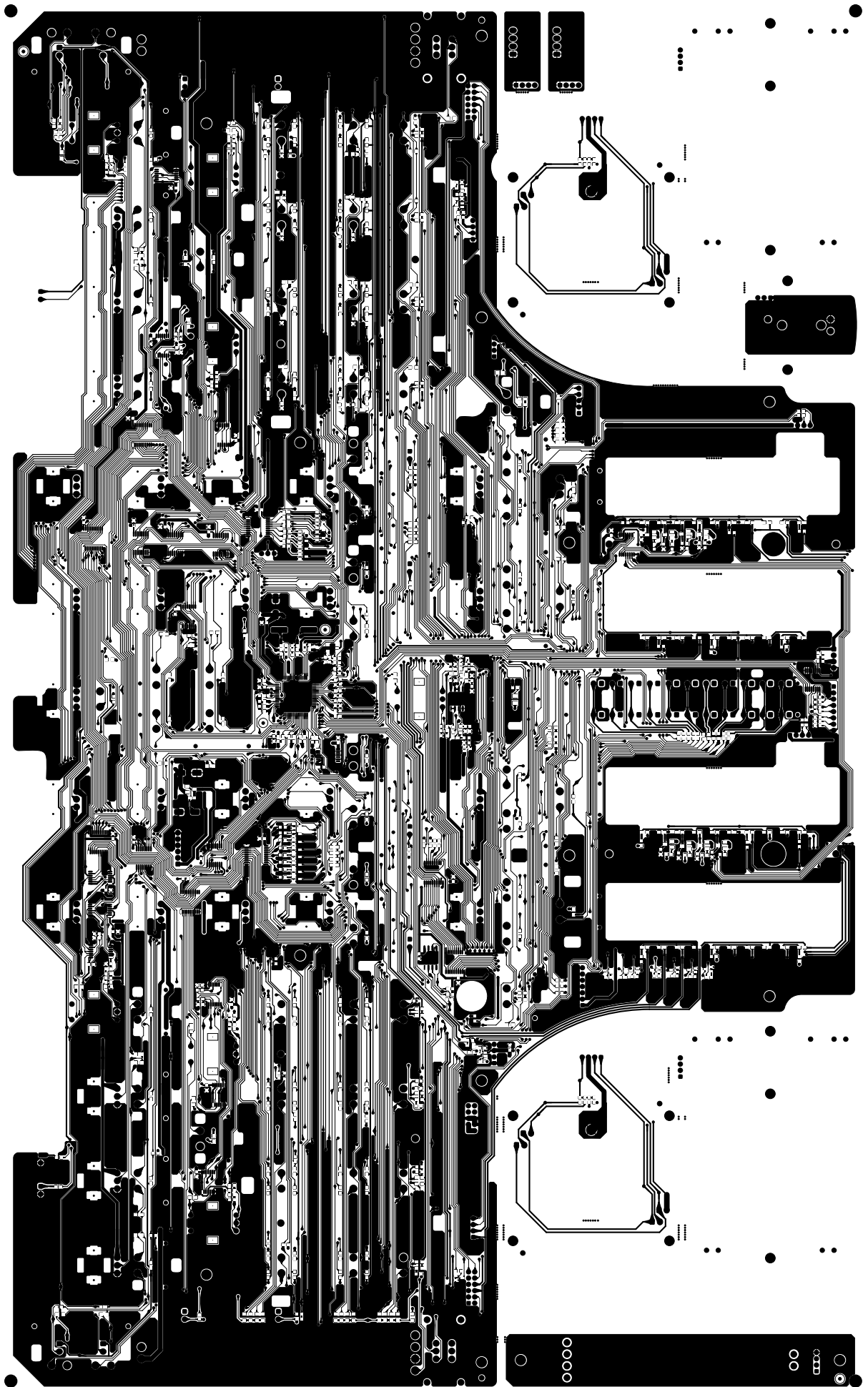


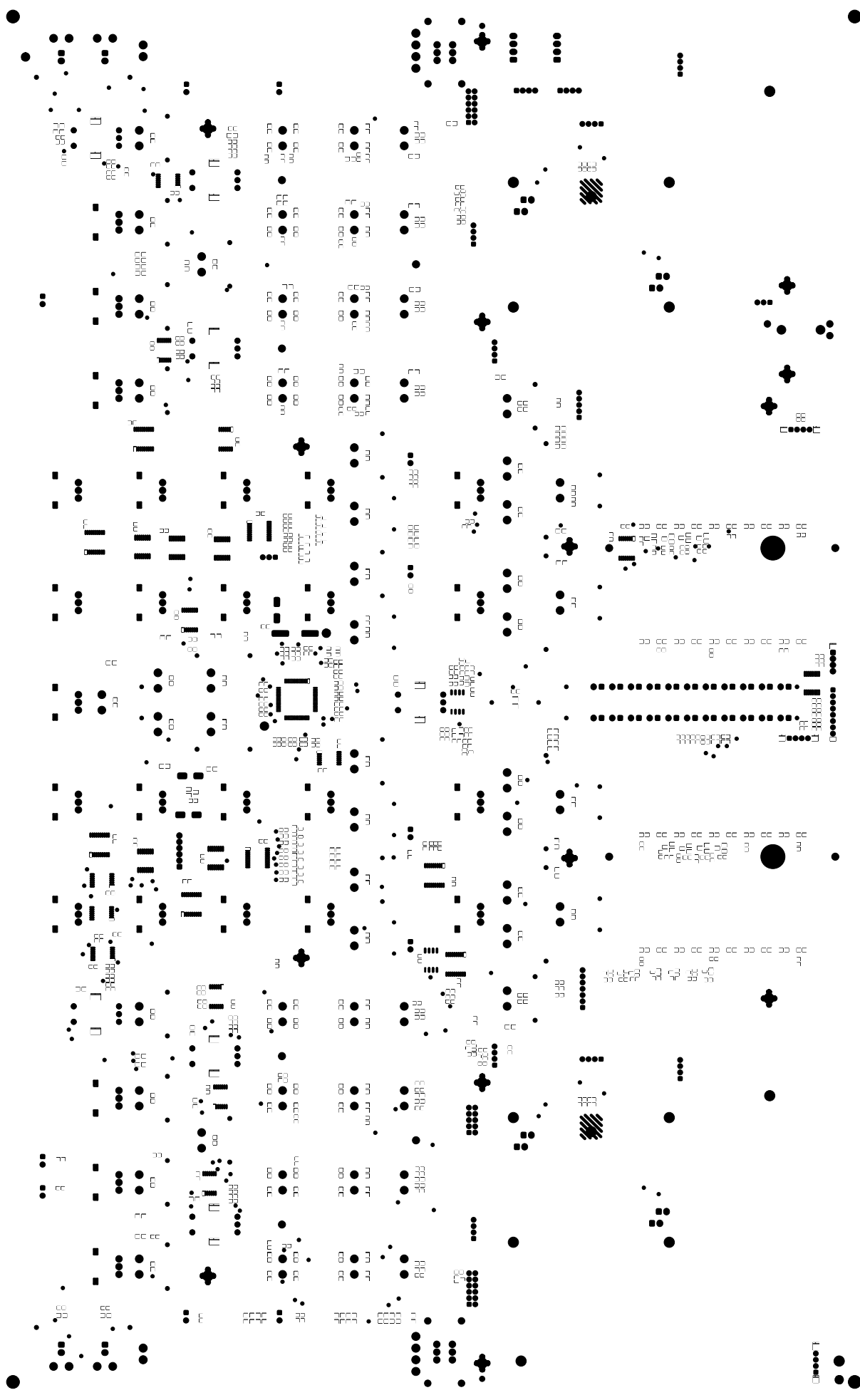




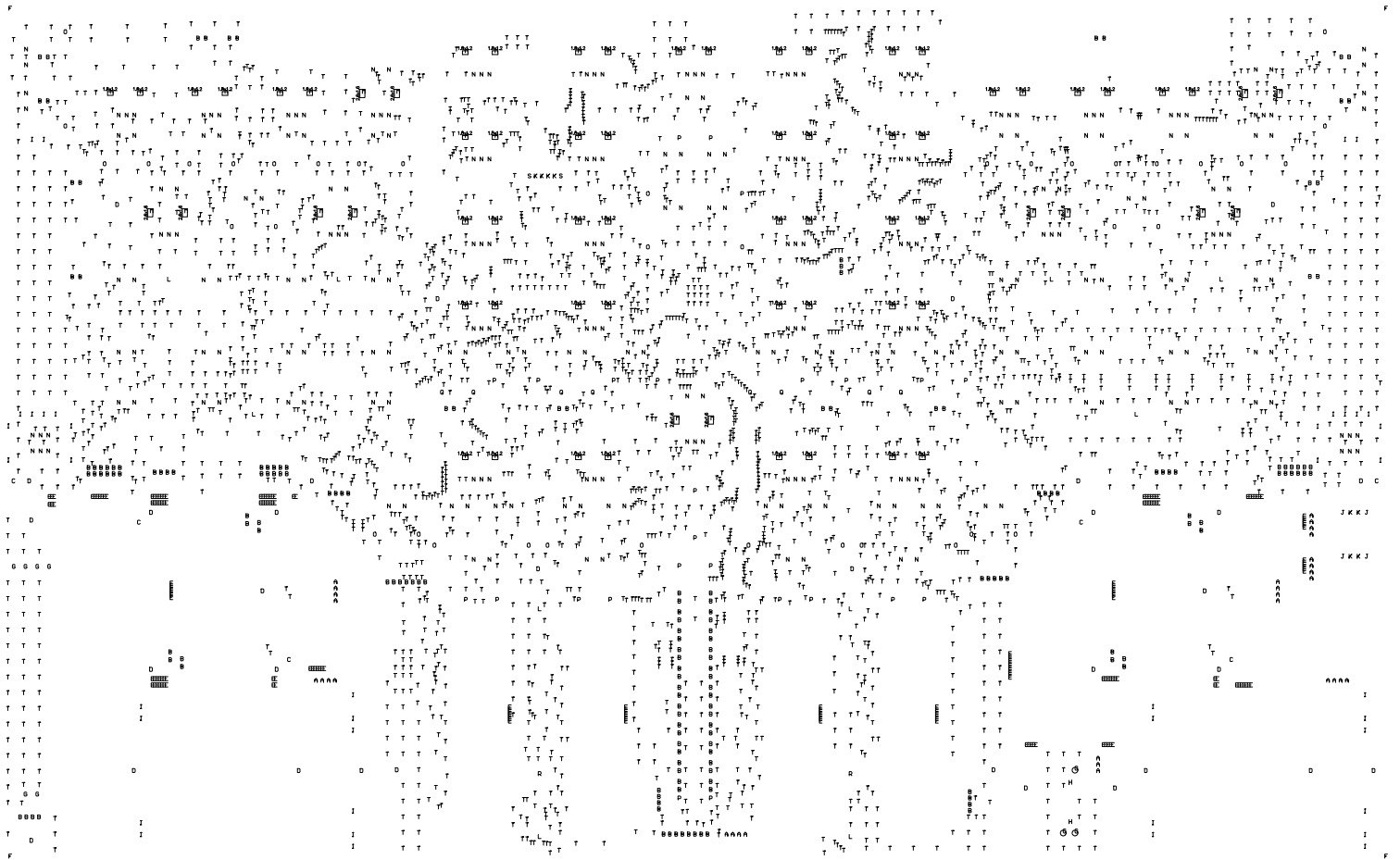




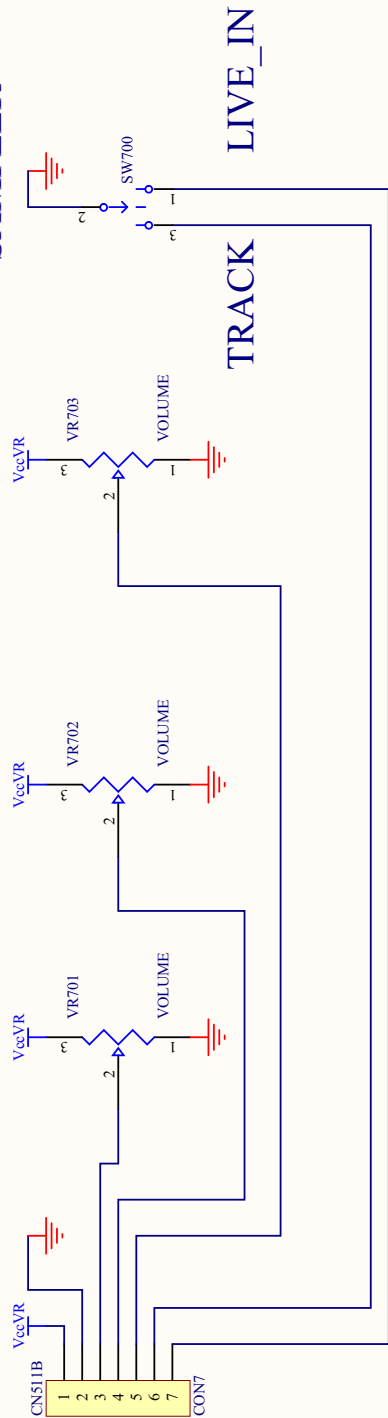




Symbol	Hit Count	Tool Size	Plated	Hole Type
M	68	0.1mm (3.937mil)	NPTH	Round
T	3675	0.4mm (15.748mil)	PTH	Round
E	182	0.5mm (19.685mil)	NPTH	Round
J	4	0.65mm (25.591mil)	PTH	Round
K	8	0.7mm (27.559mil)	PTH	Round
S	2	0.75mm (29.528mil)	PTH	Round
B	175	0.8mm (31.496mil)	PTH	Round
A	31	0.9mm (35.433mil)	PTH	Round
Q	8	1mm (39.37mil)	NPTH	Round
N	258	1mm (39.37mil)	PTH	Round
P	25	1.1mm (43.307mil)	NPTH	Round
G	9	1.2mm (47.244mil)	PTH	Round
O	39	1.2mm (47.244mil)	NPTH	Round
I	40	1.5mm (59.055mil)	PTH	Round
C	6	1.6mm (62.992mil)	NPTH	Round
H	2	1.7mm (66.929mil)	PTH	Round
L	10	2.2mm (86.614mil)	NPTH	Round
D	32	3.2mm (125.984mil)	NPTH	Round
F	4	4mm (157.48mil)	NPTH	Round
R	2	7.6mm (299.213mil)	NPTH	Round
	4580 Total			



TOUCH_SENSOR_L TOUCH_SENSOR_R CF_CURVE



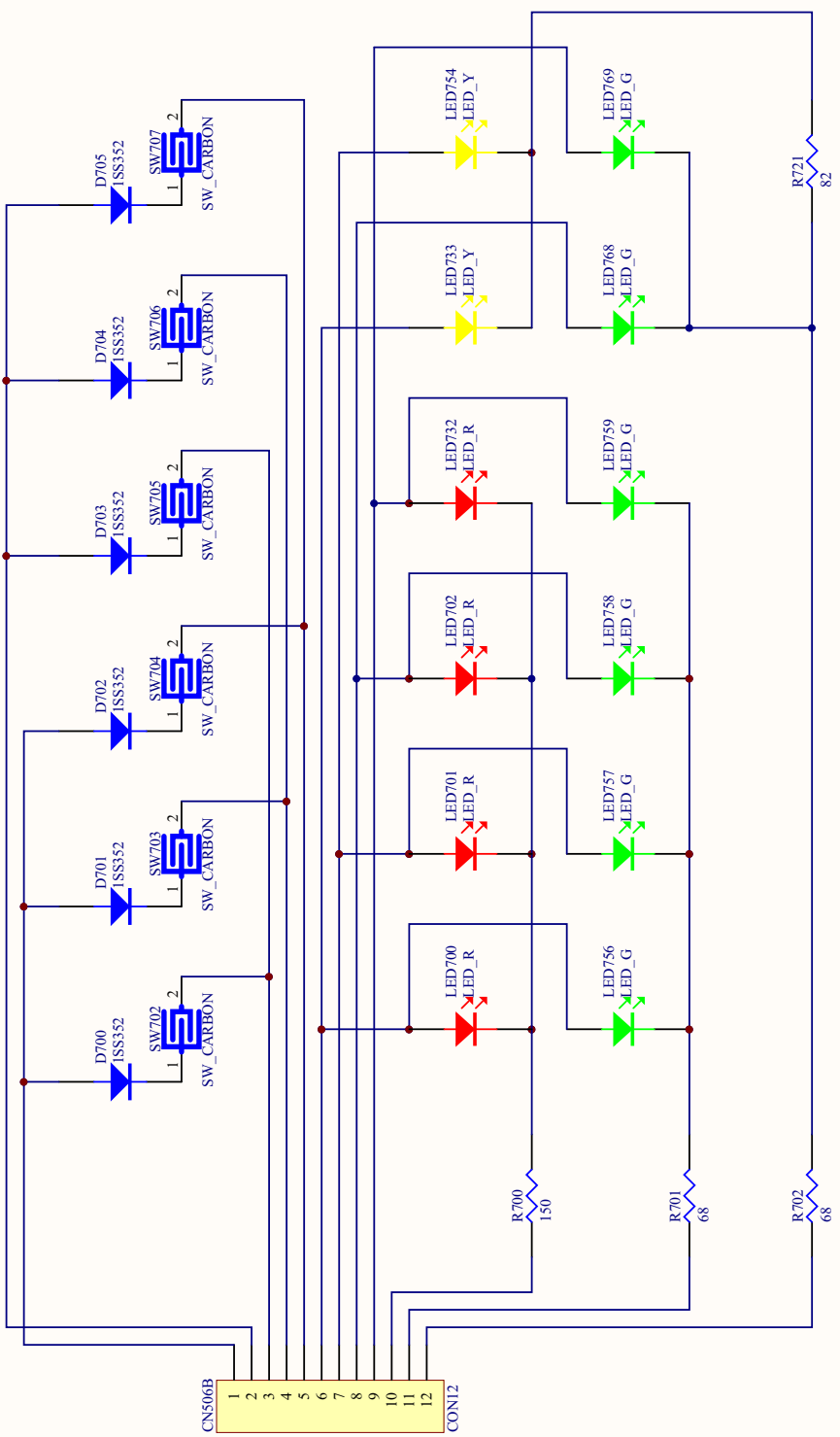
model **VCI-400**

sheet **LEFT_FRONT PCB**

Vestax Corporation

2011/11/17

4 / 9



model **VCI-400**

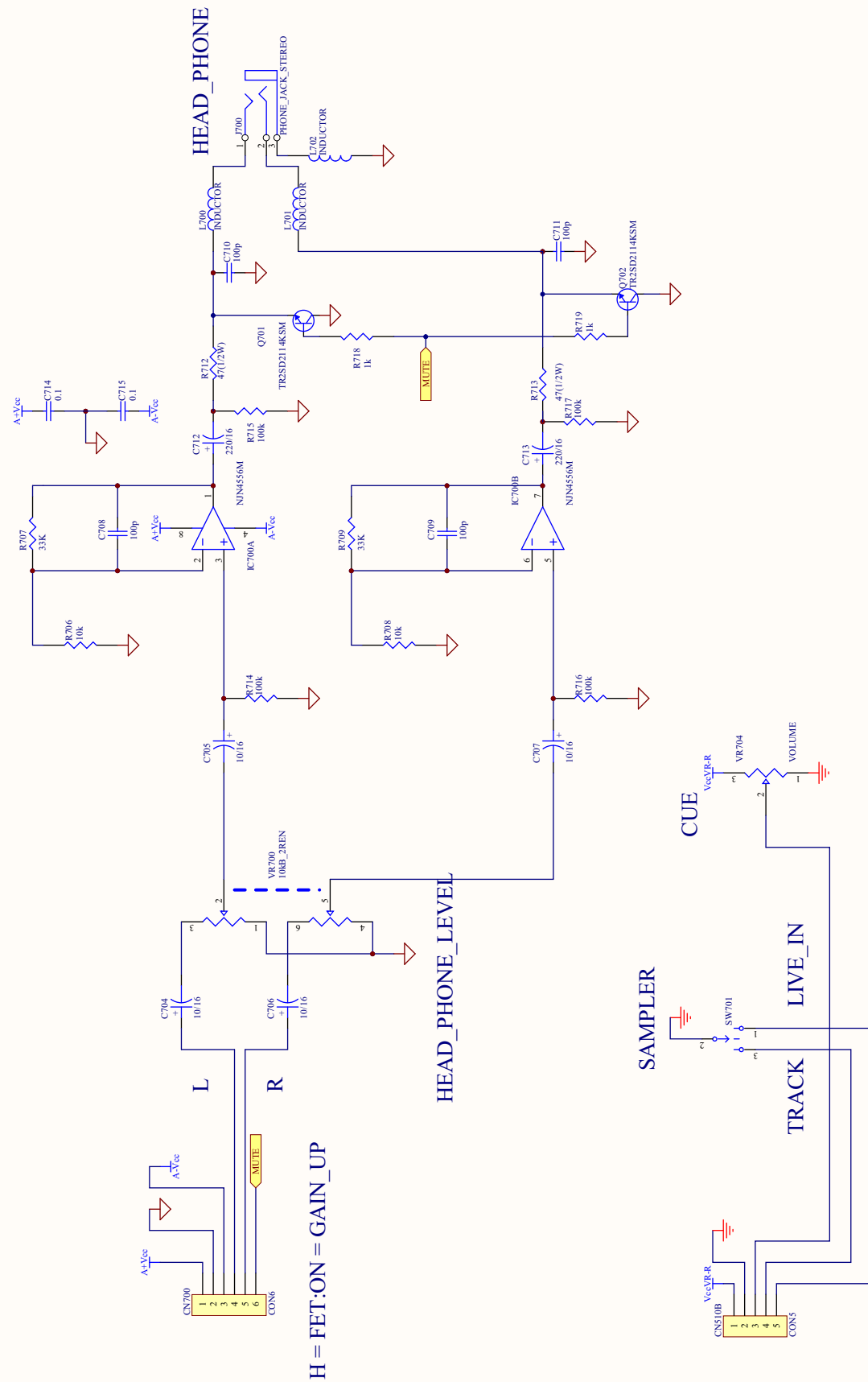
sheet **LEFT_TRANS PCB**

Vestax Corporation

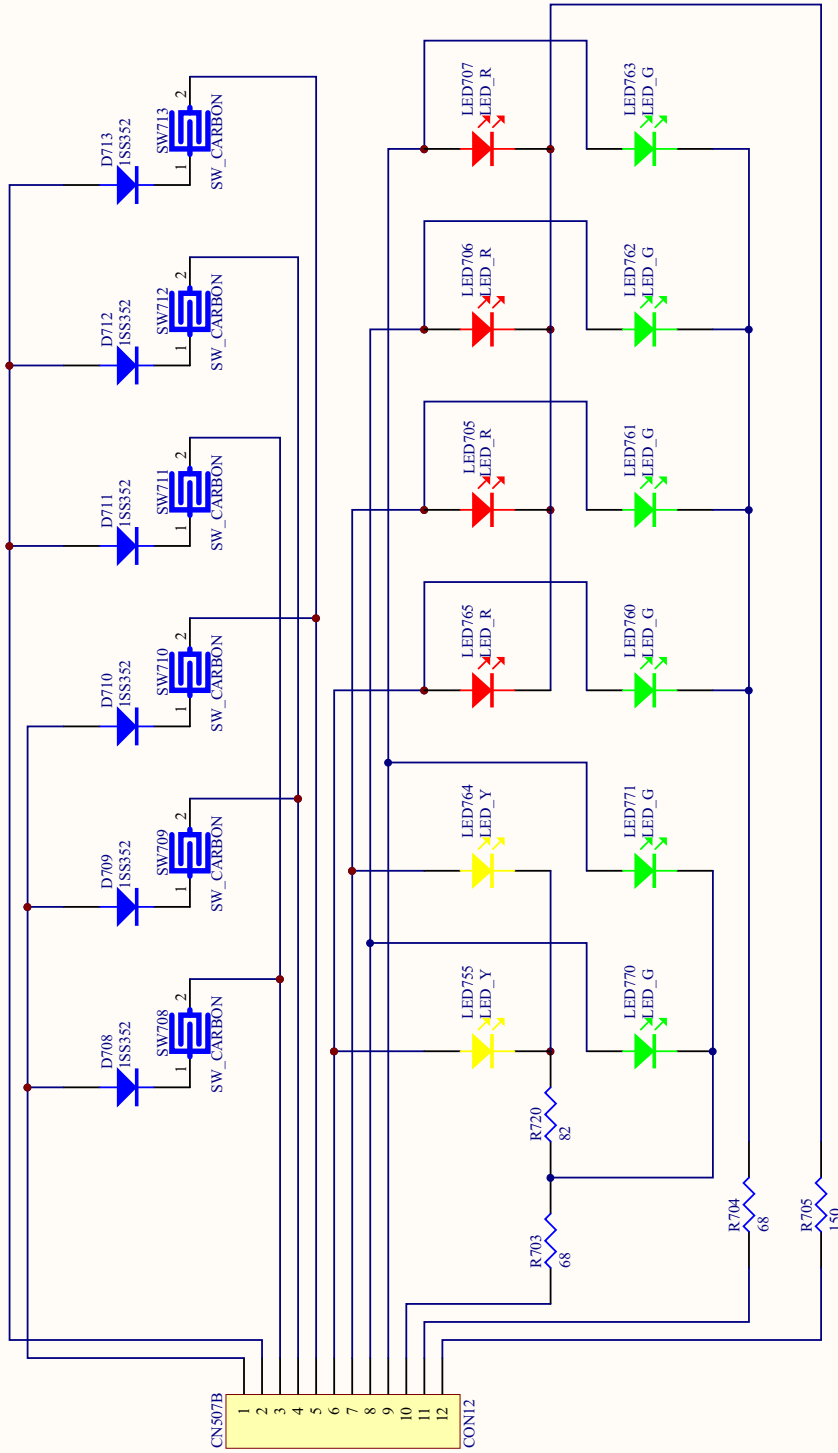
2011/11/17

6

/ 9



model	VCI-400
sheet	RIGHT_FRONT PCB
	Vestax Corporation
	2011/11/17
	7 / 9



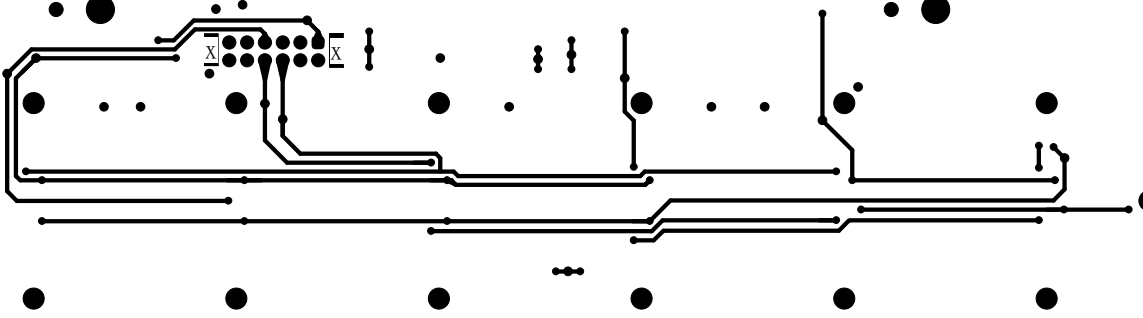
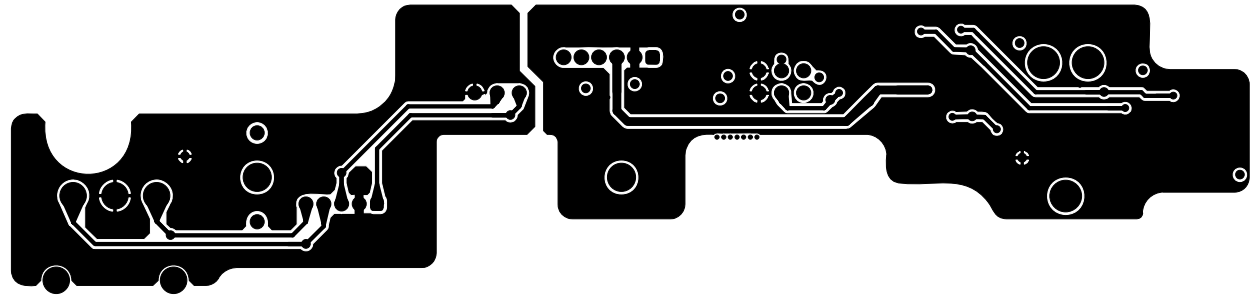
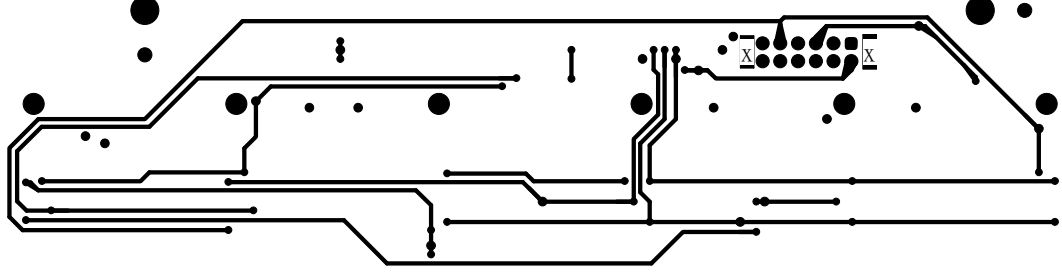
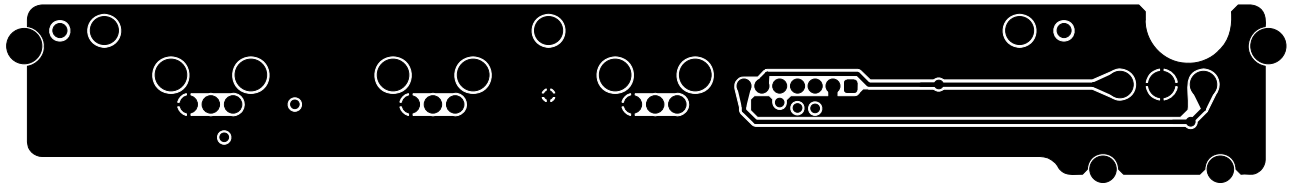
model **VCI-400**

sheet **RIGHT_TRANS PCB**

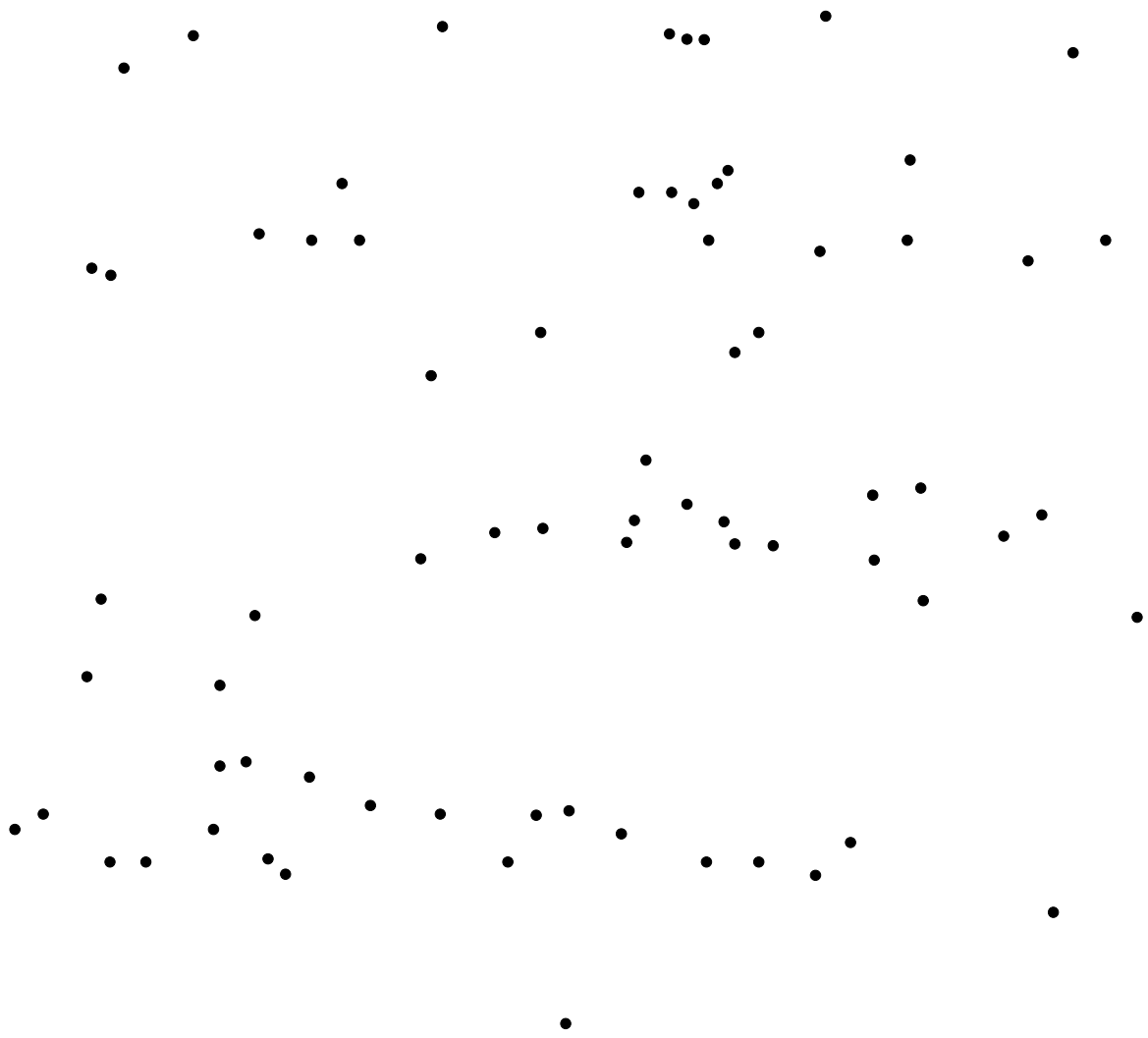
Vestax Corporation

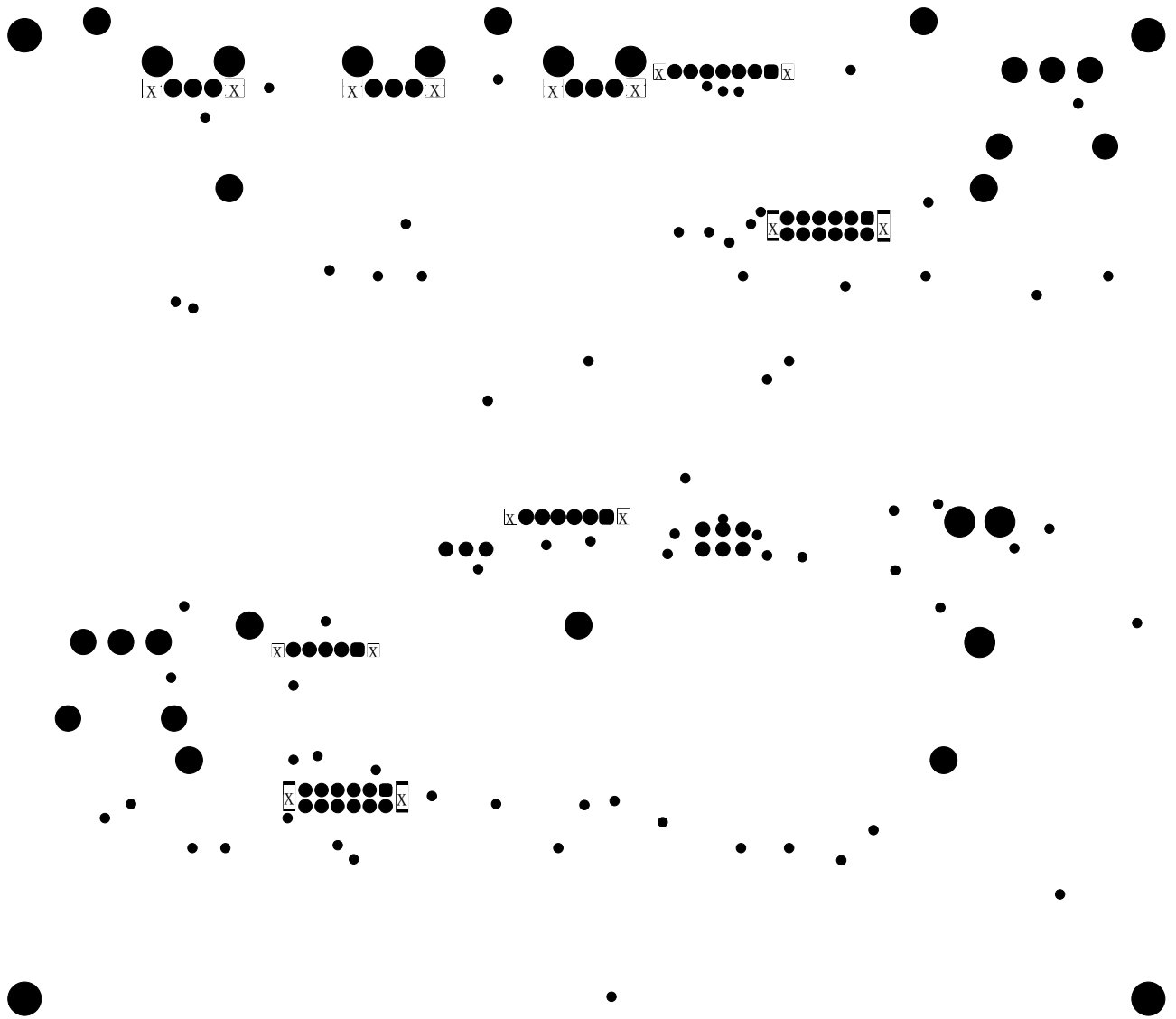
2011/11/17

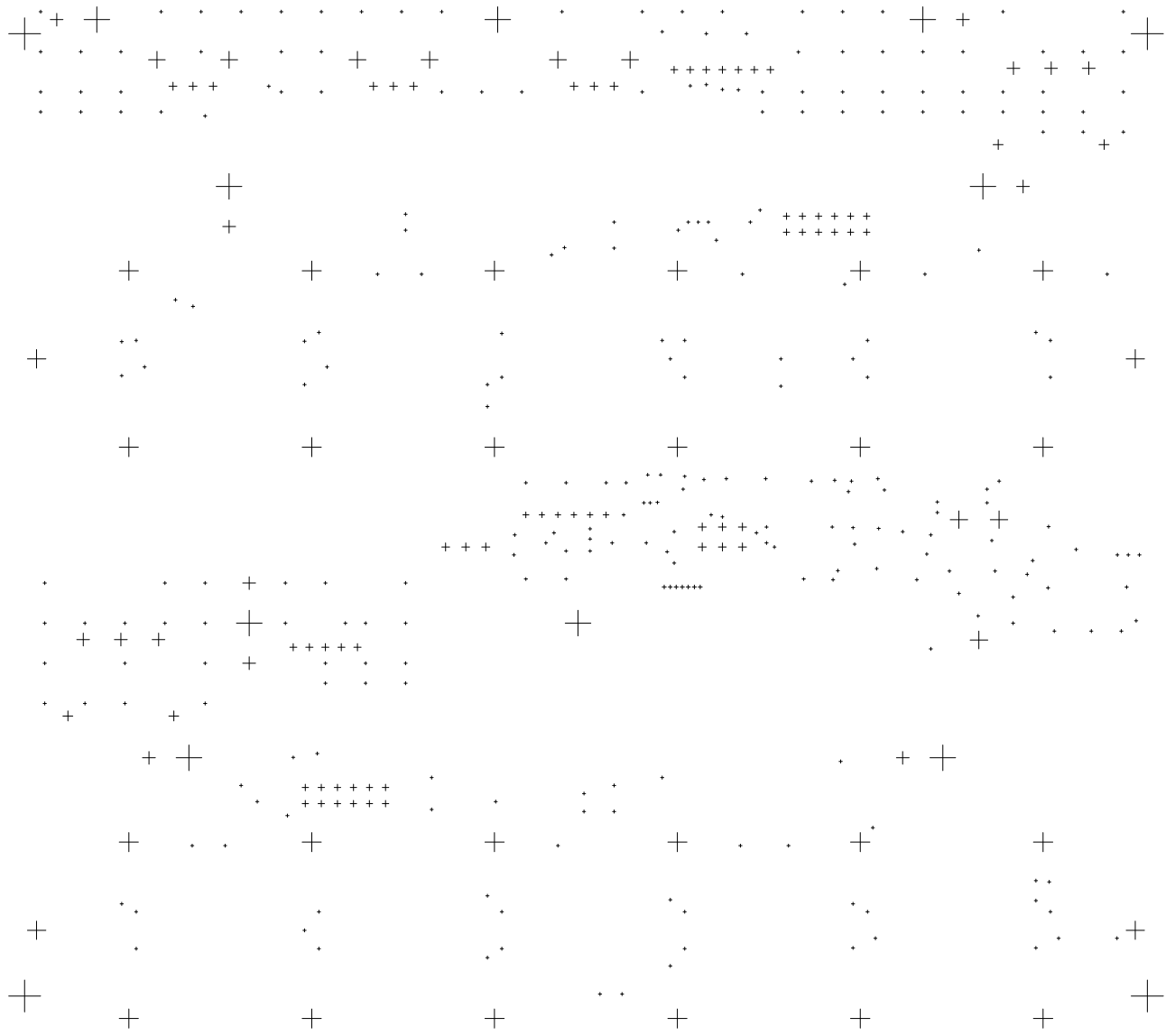
9 / 9

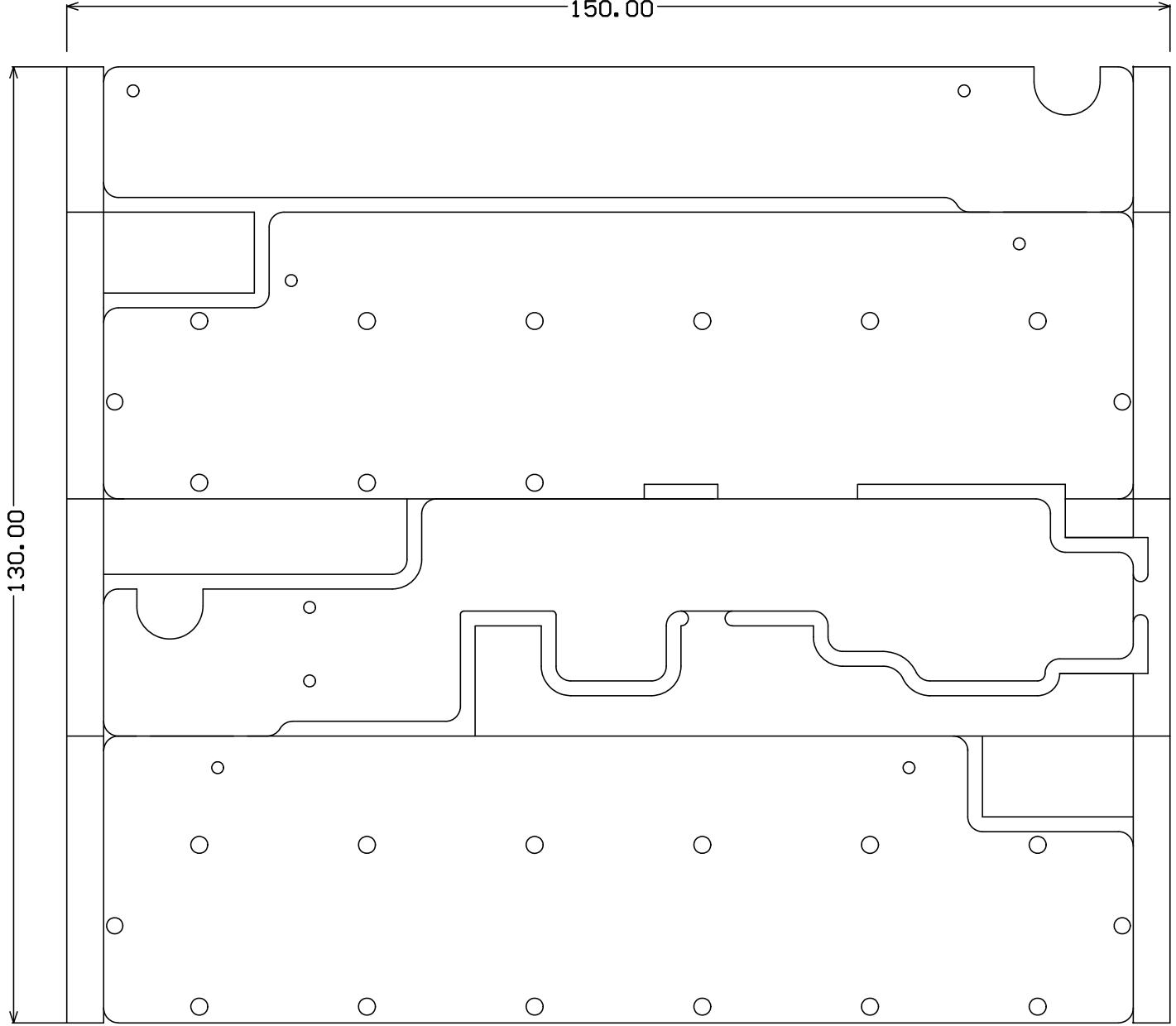






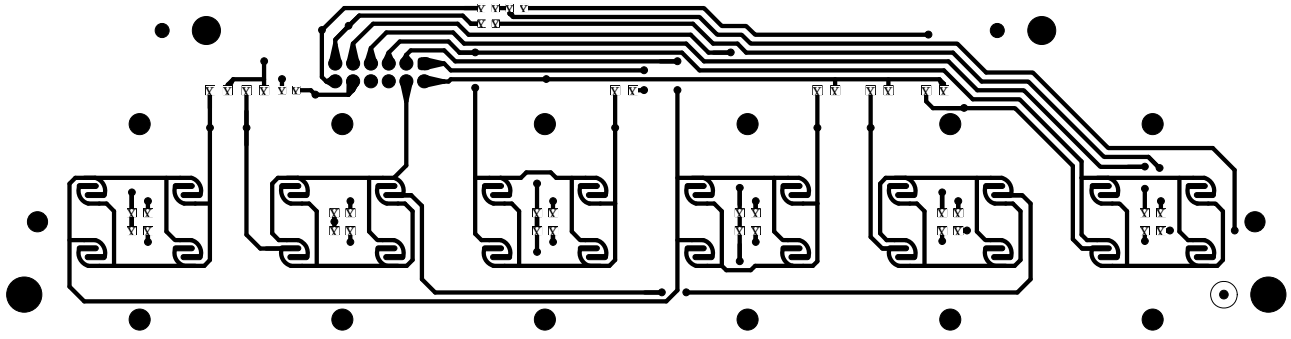
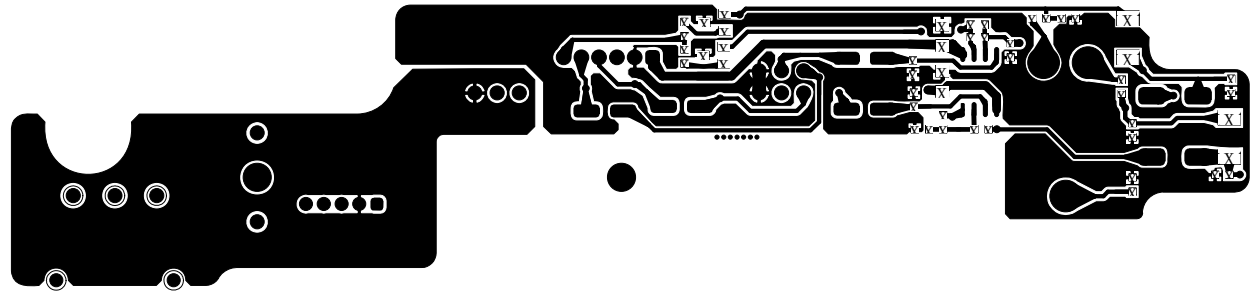
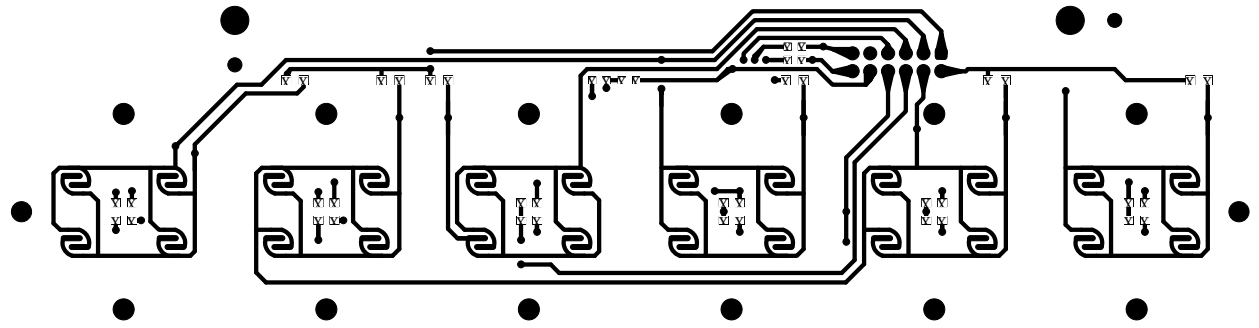
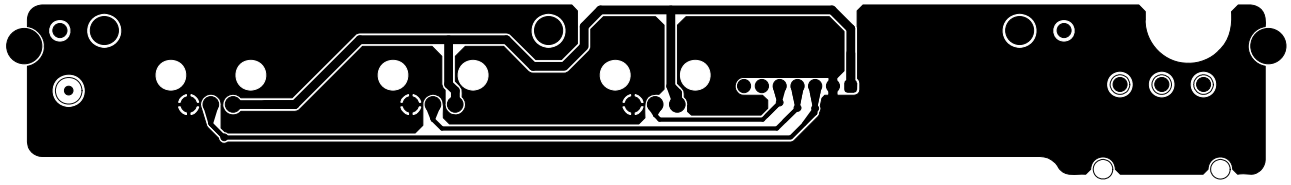


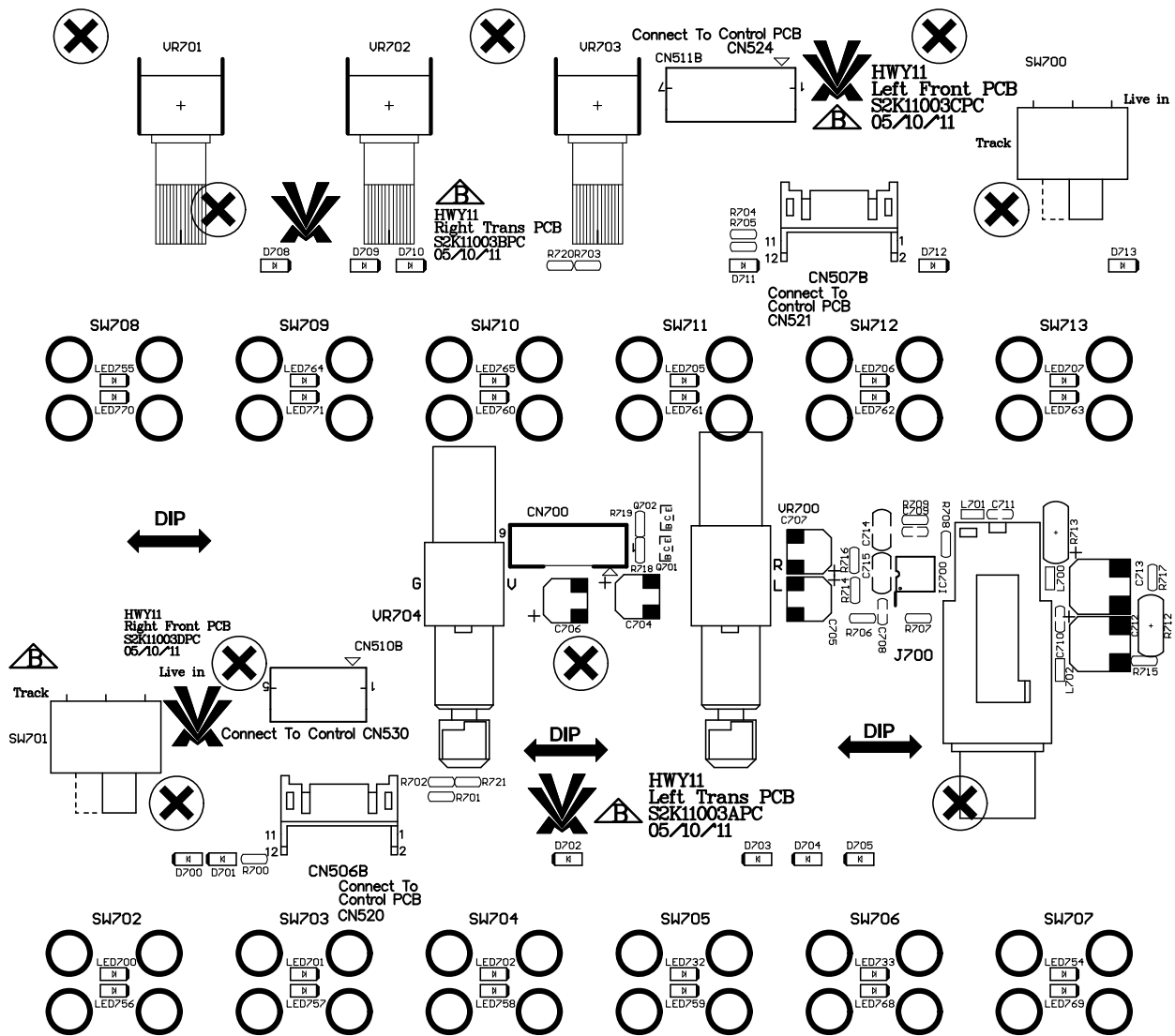


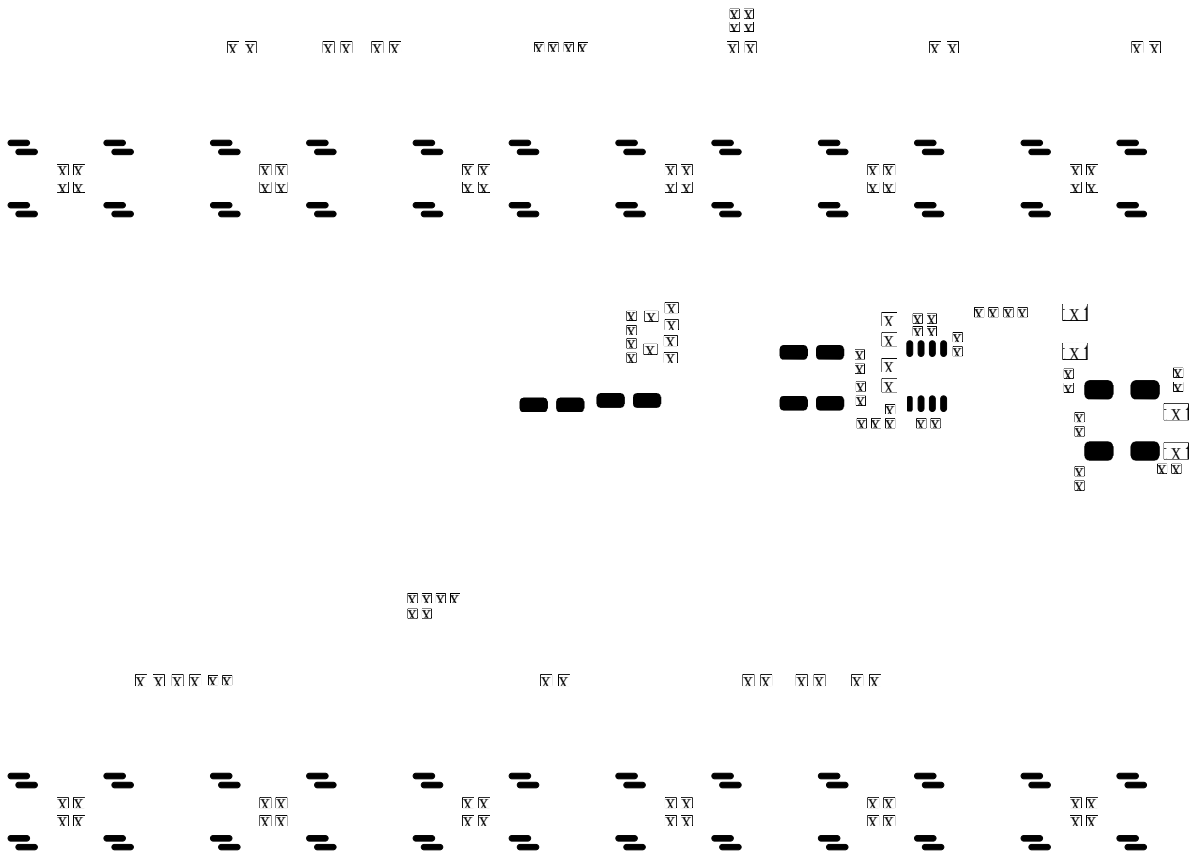


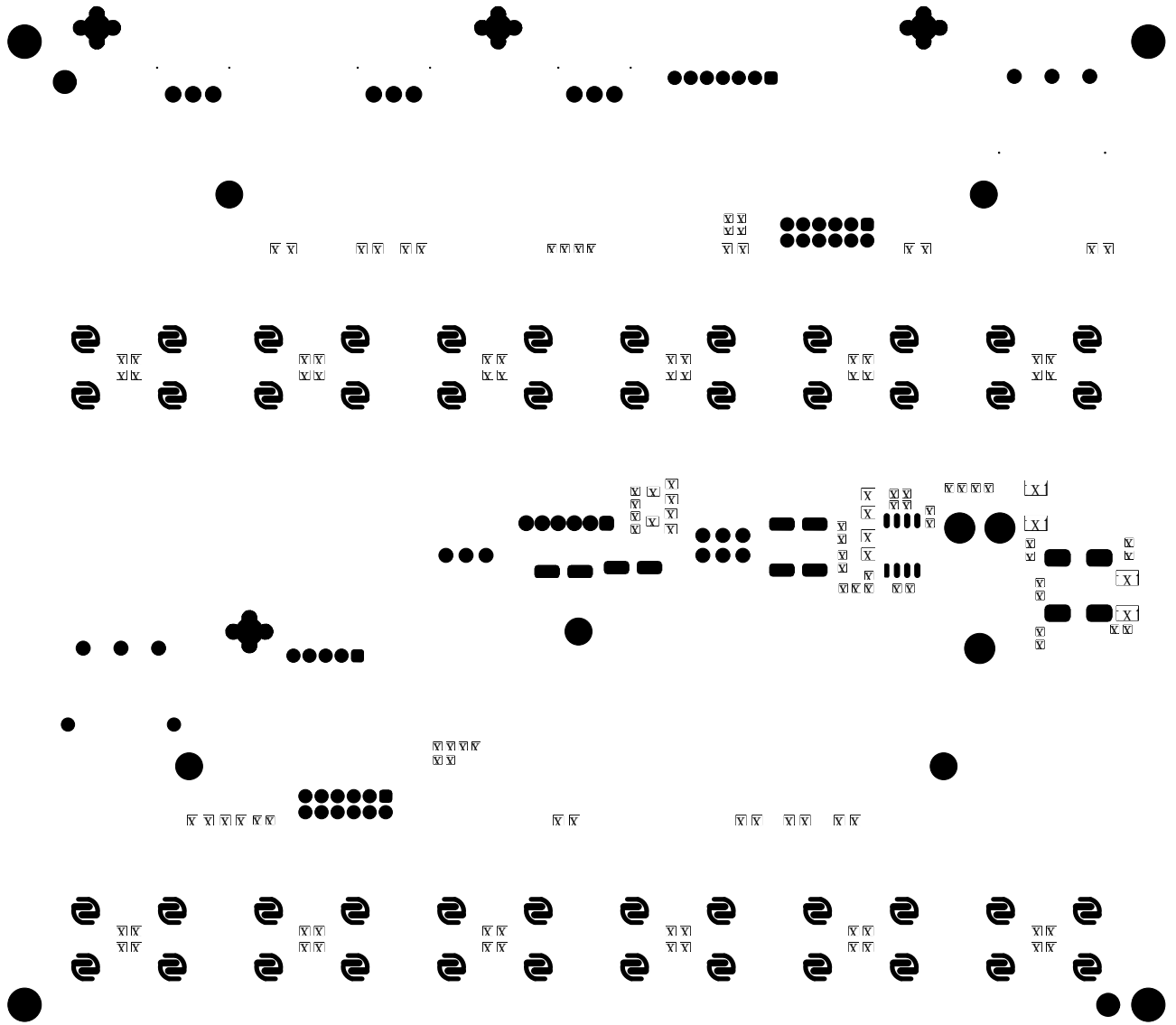
⌚ ⌚ ⌚ ⌚ ⌚ ⌚ ⌚ ⌚ ⌚ ⌚ ⌚ ⌚
⌚ ⌚ ⌚ ⌚ ⌚ ⌚ ⌚ ⌚ ⌚ ⌚ ⌚ ⌚

⌚ ⌚ ⌚ ⌚ ⌚ ⌚ ⌚ ⌚ ⌚ ⌚ ⌚ ⌚
⌚ ⌚ ⌚ ⌚ ⌚ ⌚ ⌚ ⌚ ⌚ ⌚ ⌚ ⌚

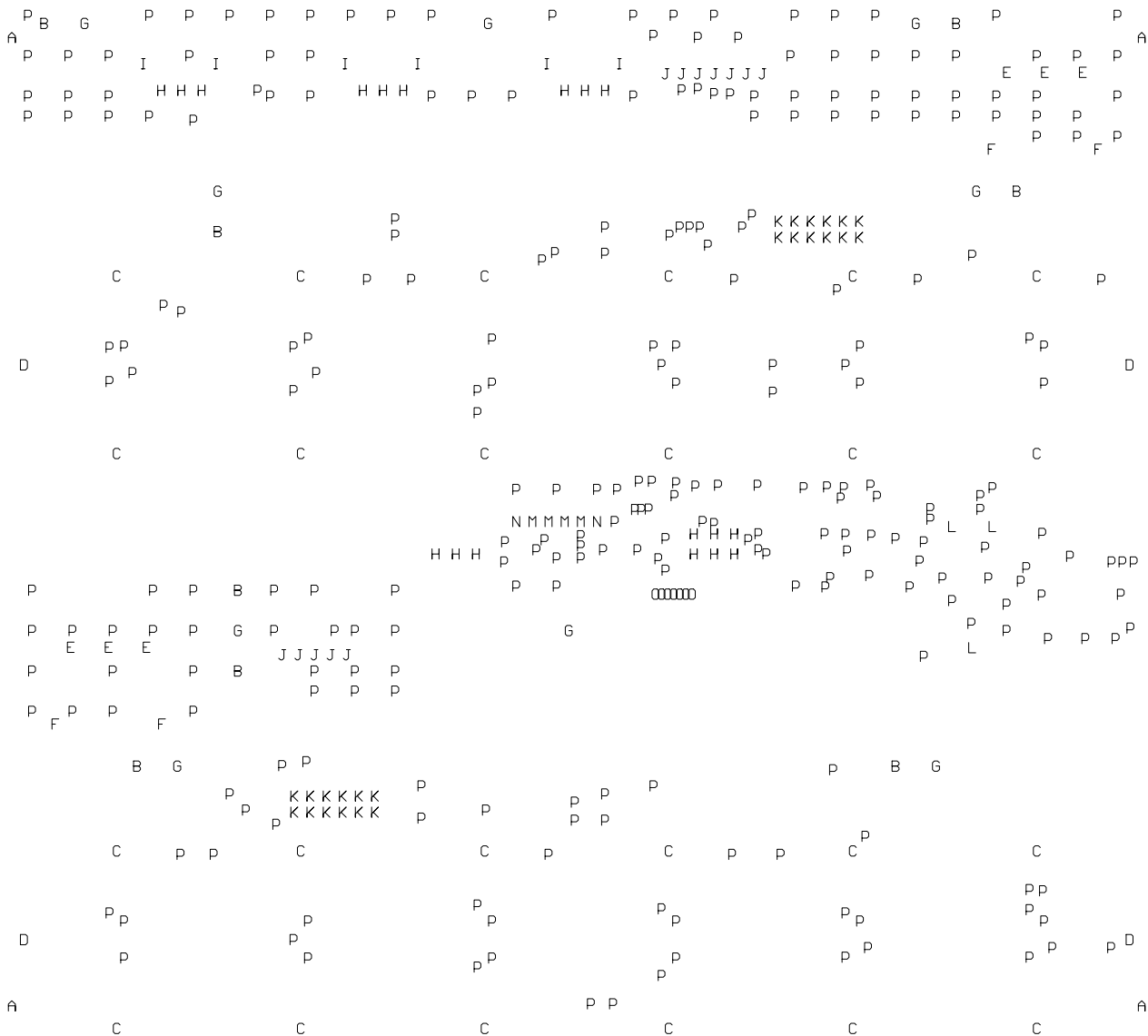


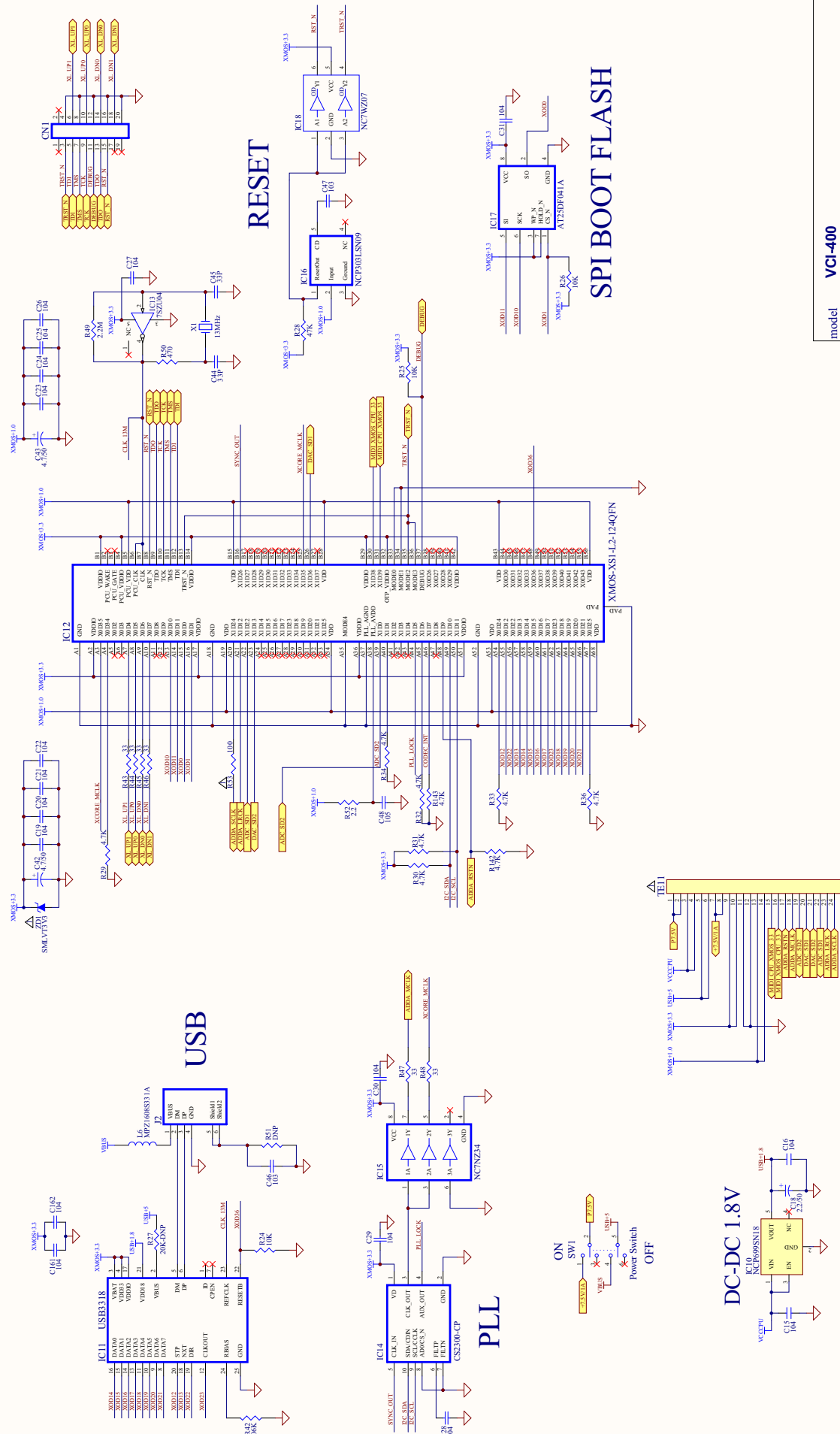




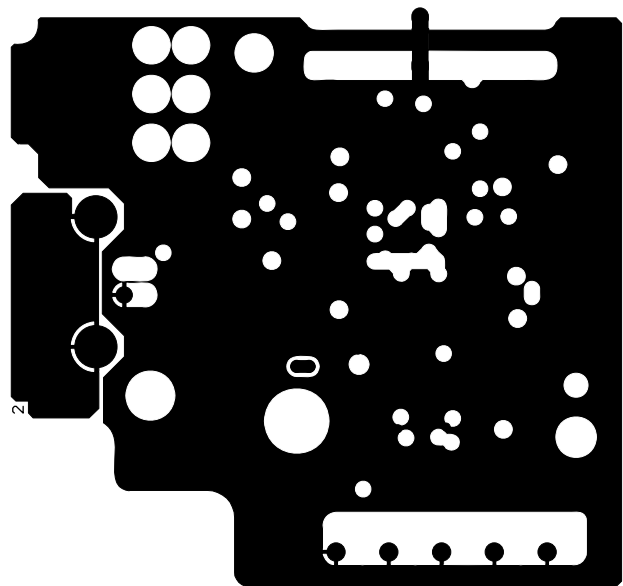


Symbol	Hit Count	Tool Size	Plated	Hole Type
P	276	0.4mm (15.748mil)	PTH	Round
O	7	0.5mm (19.685mil)	NPTH	Round
M	4	0.7mm (27.559mil)	PTH	Round
N	2	0.75mm (29.528mil)	PTH	Round
K	24	0.8mm (31.496mil)	PTH	Round
J	12	0.9mm (35.433mil)	PTH	Round
H	18	1mm (39.37mil)	PTH	Round
F	4	1.25mm (49.213mil)	PTH	Round
E	6	1.6mm (62.992mil)	PTH	Round
B	8	1.6mm (62.992mil)	NPTH	Round
I	6	2.1mm (82.677mil)	PTH	Round
L	3	2.2mm (86.614mil)	PTH	Round
D	4	2.3mm (90.551mil)	NPTH	Round
C	24	2.4mm (94.488mil)	NPTH	Round
G	9	3.2mm (125.984mil)	NPTH	Round
A	4	4mm (157.48mil)	NPTH	Round
	411 Total			

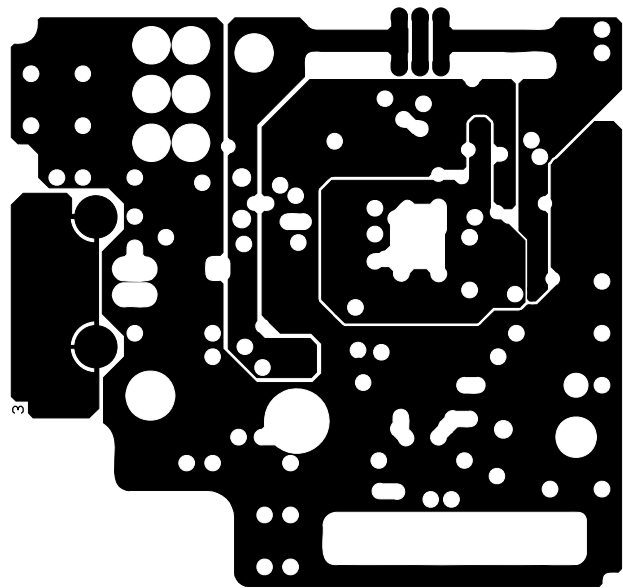


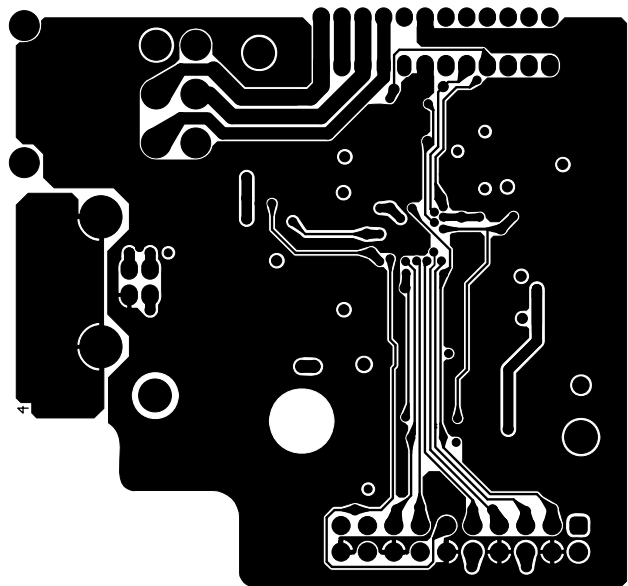


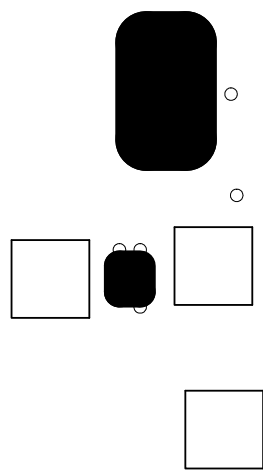
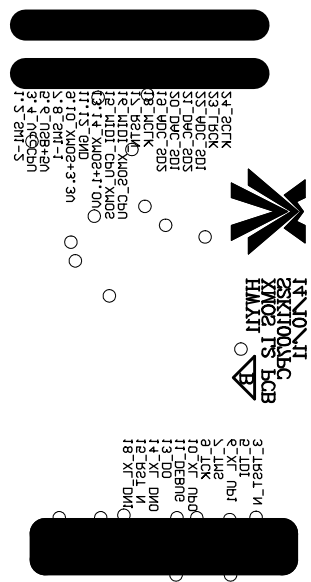
model	VCI-400
sheet	SOUND_PCB (xmos)
	Vestax Corporation
	2011/11/17
	2 / 4

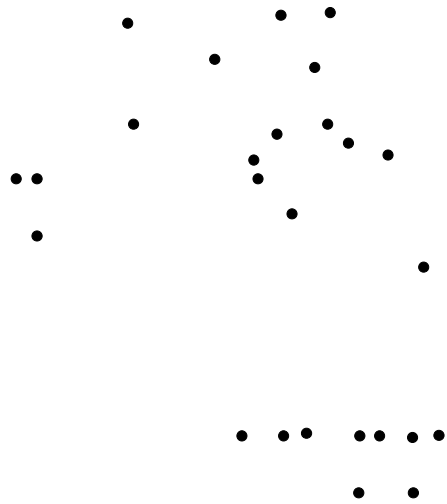


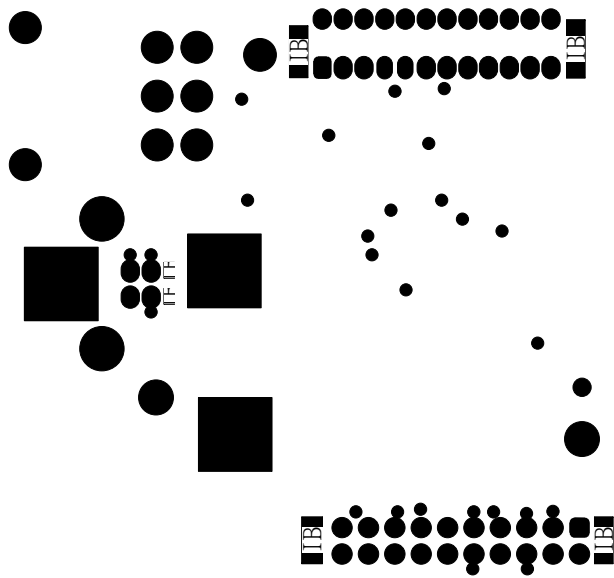
2

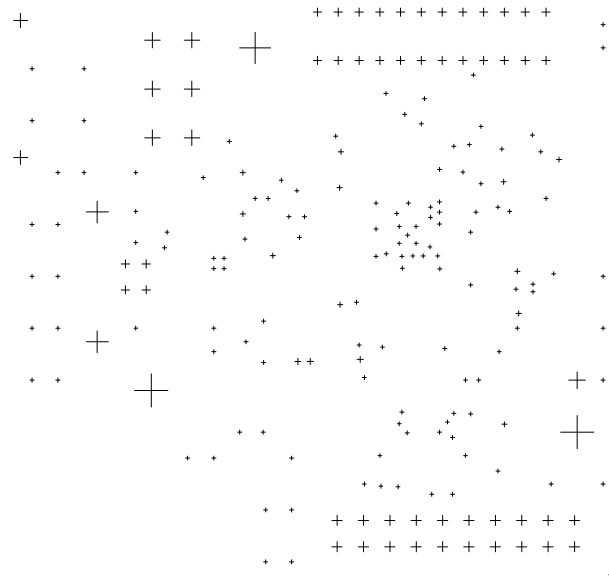


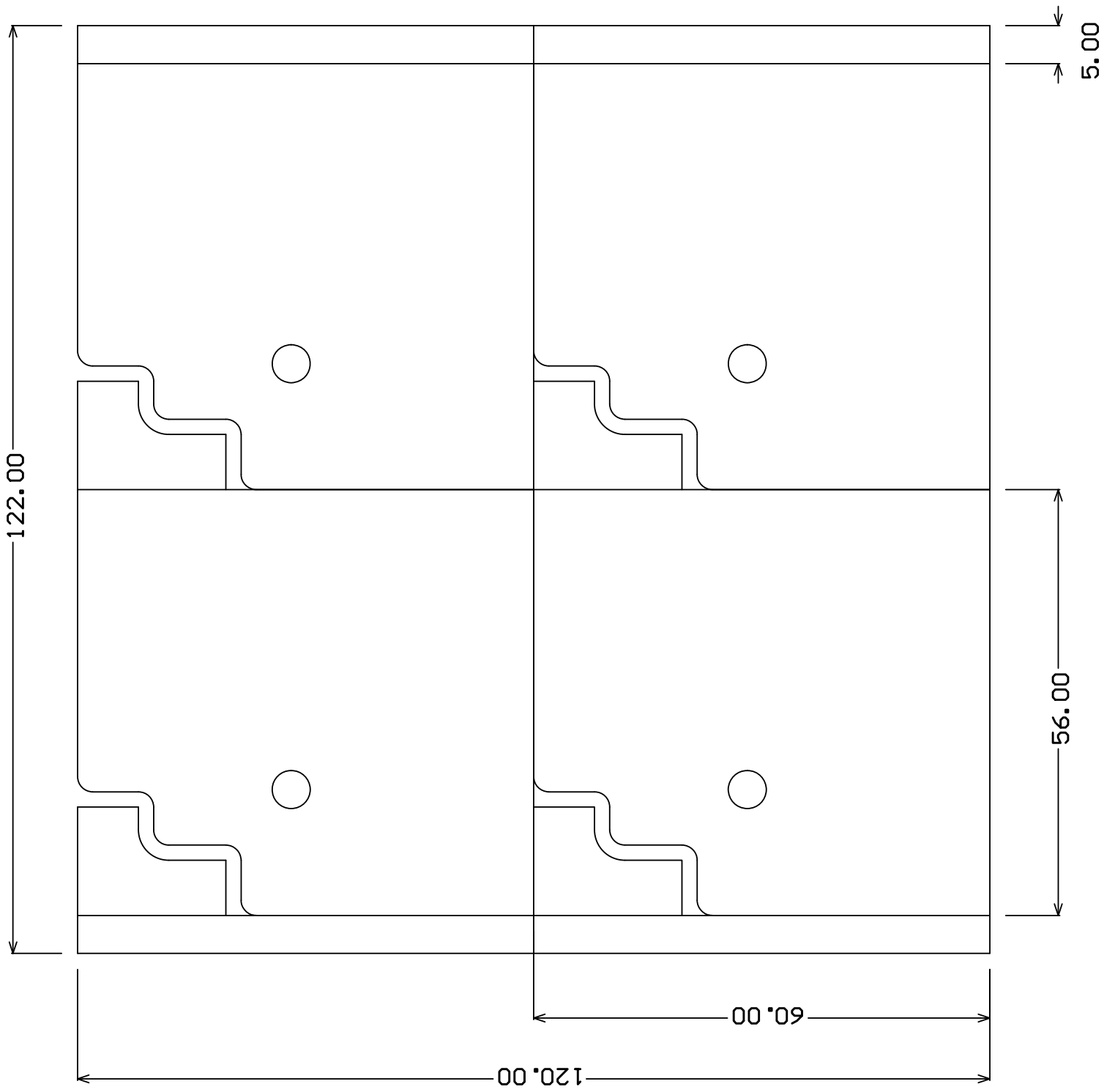


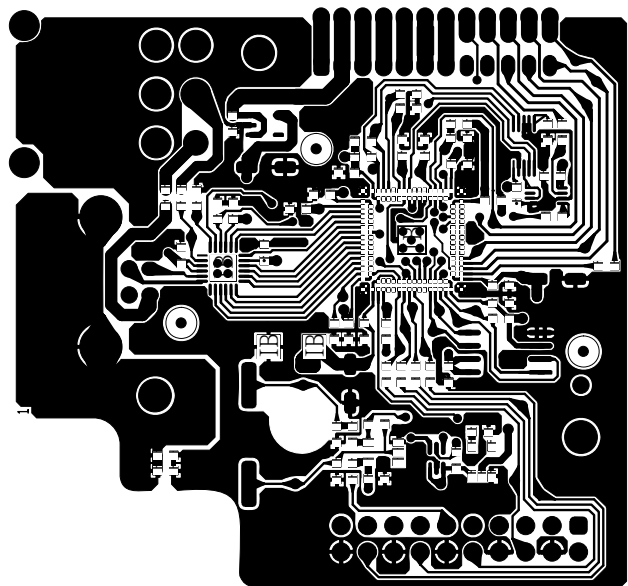




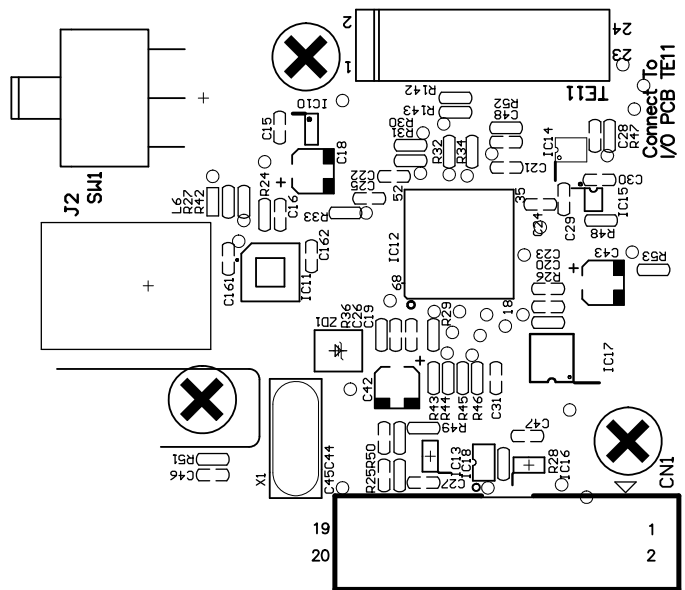








DP



DP

