

Service manual (VMD55USB)

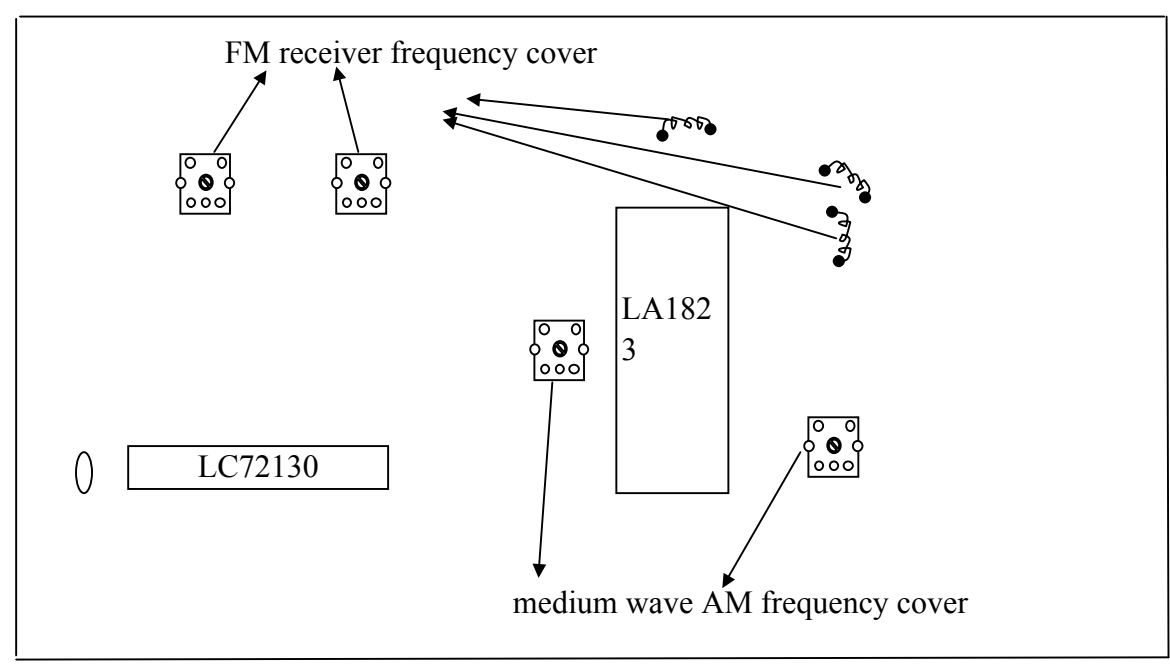


contents

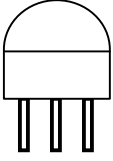
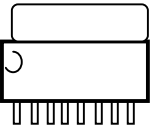
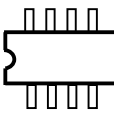
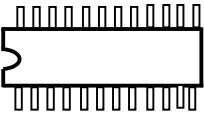
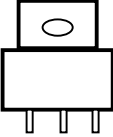
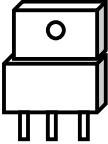
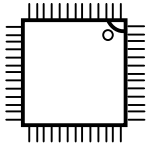
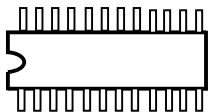

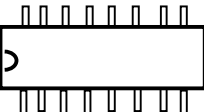
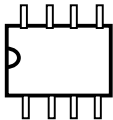
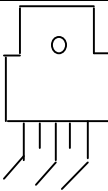
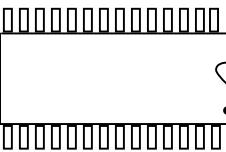
1.	Debug element scheme -----	1
2.	Triode integrated circuit outside drawing -----	2
3.	Malfunction follow check list -----	3-4
4.	Items If safety attention -----	5-7
5.	PCB layout-----	8-11
6.	Elements layout -----	12-13
7.	Fundamental block scheme -----	14
8.	Wiring diagram -----	15
9.	Exploded view -----	16-17
10.	Electronic specification-----	18-22
11.	Part list-----	23-38

This service manual is just for your reference(it just contains a little service contents and items of safety attention,And the use of technical service is up to the service level of repairman himself),If any changes we won't inform.

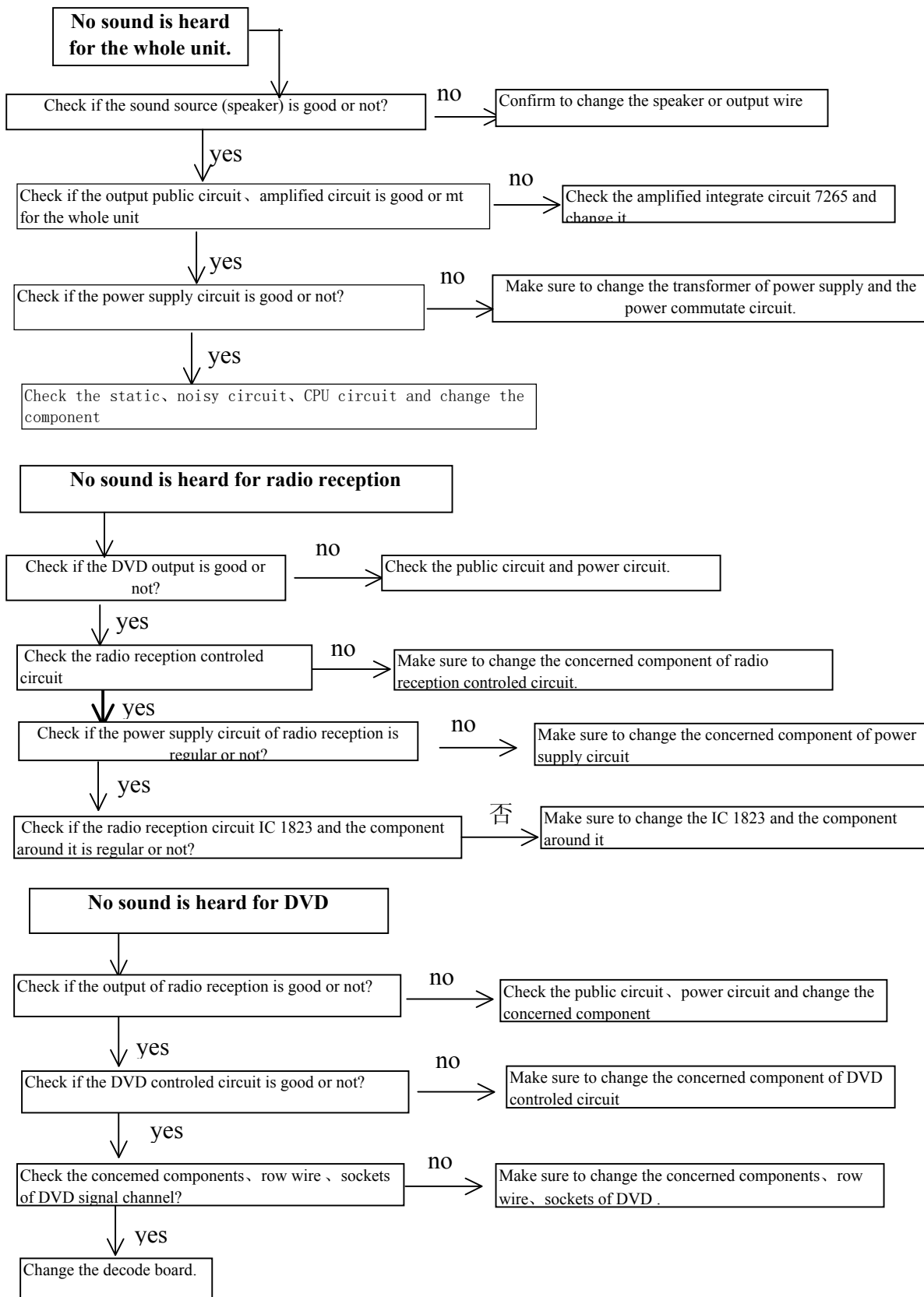
DEBUG ELEMENT SCHEME



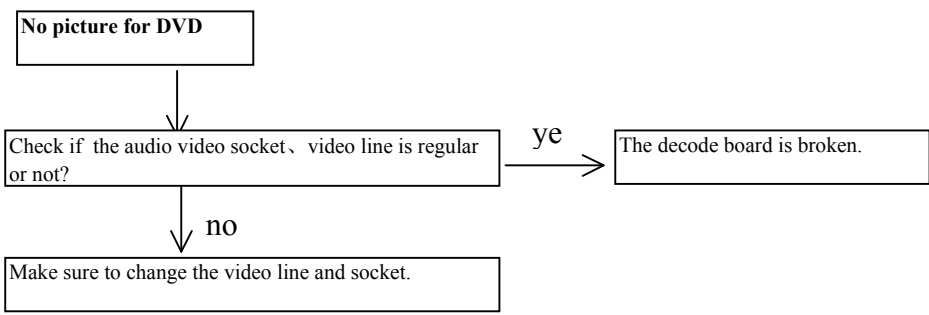
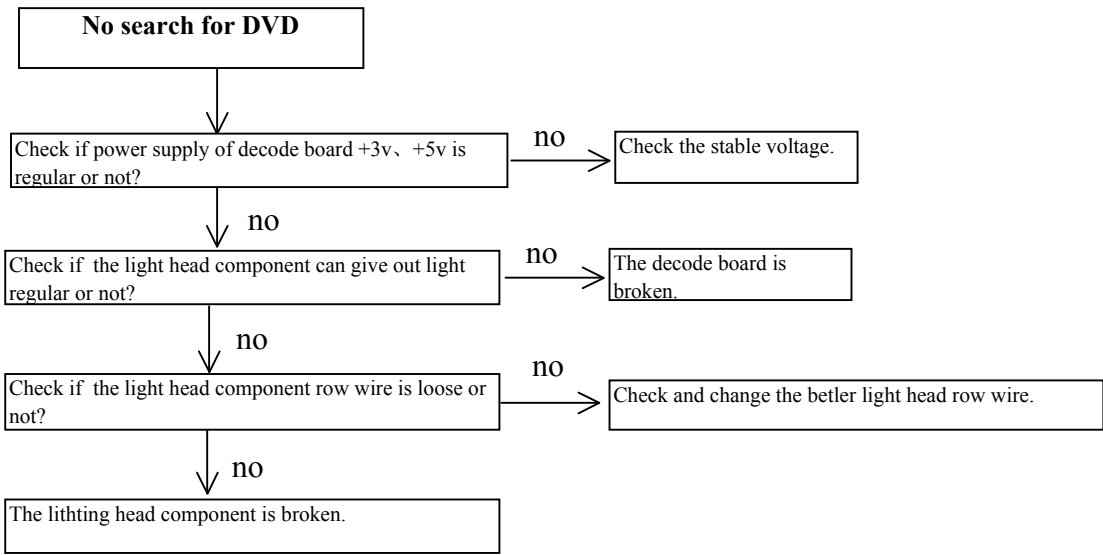
===== **IC & TRANSISTOR LEAD IDENTIFICATION**=====

				
三极管8050	SA7264	AT24C02	LA1823	7812
				
LM7805	PT6311IC	LC72130	NE008	PT2579
				
TDA2822	LM2576	PT2314		

FOLLOW-UP FAULT RECORD CHART



Malfunction follow check list



SAFETY ATTENTION

Common Controlling

During maintenance, please take common controlling to protect component system and electronic parts and prevent damages to the circuit due to improper operation .

led out wire should be kept away from high-pressure or high-temperature parts.

MAINTENANCE ATTENTION

Attention: please read 《SAFETY ATTENTION》 carefully. If there are unexpected conflicts between safety attention and maintenance attention, please abide to safety attention: Safety first.

Common Maintenance Attention

1. Before using, please unplug the power cord of the component system.
 - a. Disassemble any parts the parts of circuit board and other parts.
 - b. Cut-off and re-connecting component machine plug and other inserting parts.
 - c. Abreast electrolysis capacitance and checking parts, Note: anti-polarity and changed wrong will cause explosion.
2. don't spray chemical dose on the component system, surroundings and any parts.
3. Except other specification of this manual, clean the appliance with a cotton swab of dedicated detergent. Notes:
 - a. It is a kind of inflammable mixing.
 - b. Except other specifications of the manual, soldering point doesn't use lubricant.

ES

Some semi-conductor parts are easily damaged by static charges, these parts are called: ES are mainly the cores of transistor lead identification. The following technical ways can be used to reduce the damages by static charges.

1. Before connecting semi-conductor or the parts. Let off the static charges of the body by connecting the earth. In the other hand, To prevent potential shock hazard, please use industrial static handle before connecting power to the checking equipment.
2. After discharging the ES parts, put it on connecting appearance, for example. Aluminium

surface preventing accumulating static charges to damage the parts.

3. Only use anti-static charges grounded soldering irons to discharge the parts and connecting ES parts and connecting ES parts.
4. Some soldering pads called “Anti-static charges” can also generate charges to damage ES parts.
5. Don't use poisonous and caustic agent these chemicals can generate static charges to damage the ES parts.
6. KEEP ES components in conductive packages until they are used (mostly replacing ES components with conductive electronic-plating. metal box or similar conductive materials).
7. After taking repaired ES components from Anti-static charges cone, please Insert the ES components to the parts of circuit light now.
8. During handling sealed ES components, trying to reduce the movement of the body (clothes rubbing and moving on the rag can generate static charges to damage the ES parts).

Common Soldering rules

1. Use only grounded low-voltage soldering irons, and proper size and shape, these will maintain the soldering iron temperature of 230℃~280℃.
2. USE RMA specified resin flux, include 60% Tin 40% lead.
3. To maintain soldering iron and including tin very well.
4. Clean the soldering surface, use metal brush to do it, not use poisonous and caustic agent to clean.
5. Adopt the melting ways:
 - a. Make soldering iron head to reach normal temperature from 230℃~280℃.
 - b. Heat lead wire of the parts, until soldering pads melt.
 - c. Quickly melt soldering tin by anti-static charges.
Notes: Quickly operation, prevent heating the electronic-plating copper.
6. Adopt the following soldering technology.
 - a. Make soldering iron head to reach normal temperature from 230℃~280℃.
 - b. Firstly hold the soldering iron and the soldering iron to the led wire of the part, until soldering pads melt.
 - c. Quickly make soldering iron head move forwards led pins of the parts and

Items of safety attention

electro-plating copper.

Notes: Quickly operating, avoid heating electronic-plating copper of printed circuit board.

- d. Check the soldering zone strictly, use iron brush to clean more sprayed soldering tin.

IC's discharging changing

IC pins inserting chute some printed circuit board. Through chute to insert IC pins will be bolded and flat along electrons-plating copper when the hole is slot you can discharge and change IC.

Discharging

1. Flat the discharging IC pins, point the soldering iron head to the pins, make the soldering tin melt.
2. Before discharging IC, suck off the loaded solder pads by tin with Anti static charges.

Changing

1. Replaced IC is inserted in circuit board carefully.
2. Bold each IC pin point the circuit board and solder.
3. Clean soldering zone by a small hard brush (lover protective layer)

What items do you need attention on charging IC and chip?

Because IC and chip are slim and damaged easily by static charges. Pay attend to the following items when changed.

1. Prevent damages for chip parts by heat. don't exposed soldering iron.
2. Pre – heating soldering iron at about 100°C when some parts are easily damages suddenly.
3. To prevent some parts heated hurried, soldering iron head temperature from 240°C~280°C.
4. Because small parts can't hold too much solder tin, so use small soldering tin 0.3mm soldering. According to the situation, adding soldering.
5. Be careful of charging parts, soldering speed should be quick to prevent damages for circuit board.
6. To re-connecting well, clean the basic board.
7. Prevent tin spray on the board to make printed

circuit board short circuit.

8. Point the first end to make solder easily.
9. To prevent damages for parts and circuit board, please confirm damaged parts.
10. During soldering , check the soldering connecting specially for many pins small parts.
11. Checking is very important after changing use enlarger soldering leakage ,false soldering, short circuit upper of printed circuit board, breaking. Not touching very well because of soldering.

“Small Type” detachable transistor discharge and charging

1. Heat the round pins and clean tin of transistor .
 2. Discharge heat-radiator. Screw it.
 3. Discharge the heat-radiator from printed circuit board.
 4. Insert new transistor to the circuit board.
 5. Solder each transistor pins and cut/more led wire.
 6. Re- install the heat-radiator.
- diode discharge /charging
1. Chip the pins of led, better to chip the led, discharging the wrong led.
 2. Bold two pins. Which are vertical to circuit board.
 3. Check the polarity of the led, then place led pins into the soldering plate.
 4. Press the connecting point and solder them.
 5. Check two soldering points. If not smooth, and more soldering, re-soldering.

Electro-plating copper repairs

When soldering time is too long , the more heat will upper electronic-plating copper please abide to the following rules and programs.

IC connecting electronic-plating copper repairs. Use led wire to solder electronic-plating copper repairing IC connecting electronic-plating copper (only for IC).

1. Use sharp knife to scrape the damaged (electronic-plating copper).
2. Strip the remind tin soldering agent from reminder.
3. Bold the skip wire to be a small “U”, soldering with IC pins.
4. Along breaking electronic-plating copper to good electronic-plating copper after soldering, cut the more skip wires.

Repairing other electronic-plating copper.

Using the following technology to repair other wrong electronic-plating copper including installing

skip wires on circuit board.

1. Use sharp knife to scrape wrong skip wire of electronic-plating copper at least 1/4 inch's copper to ensure once skip wire working.
2. From both sides of broken electro-plating copper soldering led wire with the nearest parts along the electronic-plating copper wire.
3. Use insulating wire soldering the near two parts (20# wire).

Notes: Ensure insulating wire's insulation, not happened (to parts or sharp edge).

Checking progress of DVD part

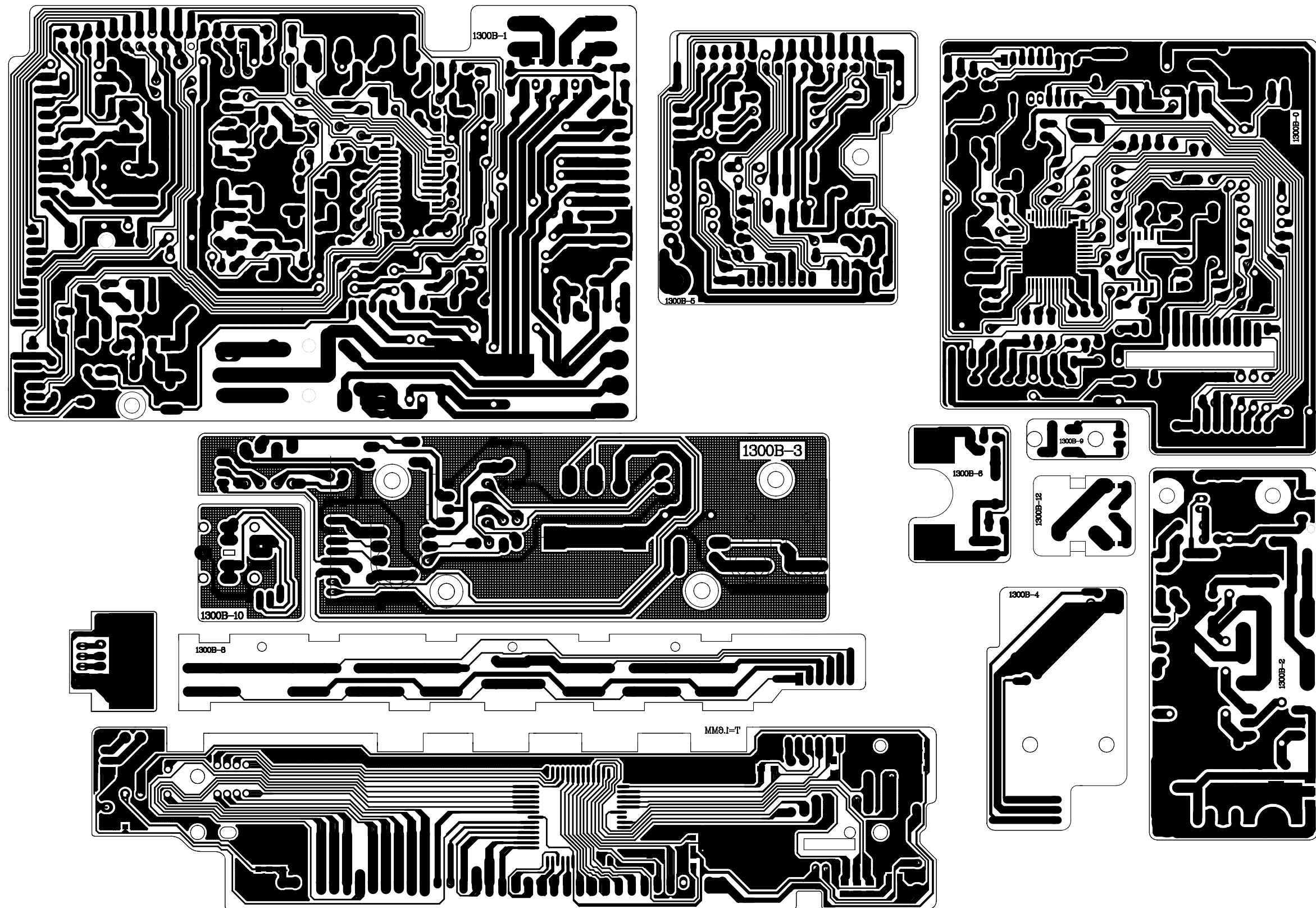
When the DVD is playing if music continuous unstable or without sound, that means the DVD part is out of order, and it should be checked and repaired.

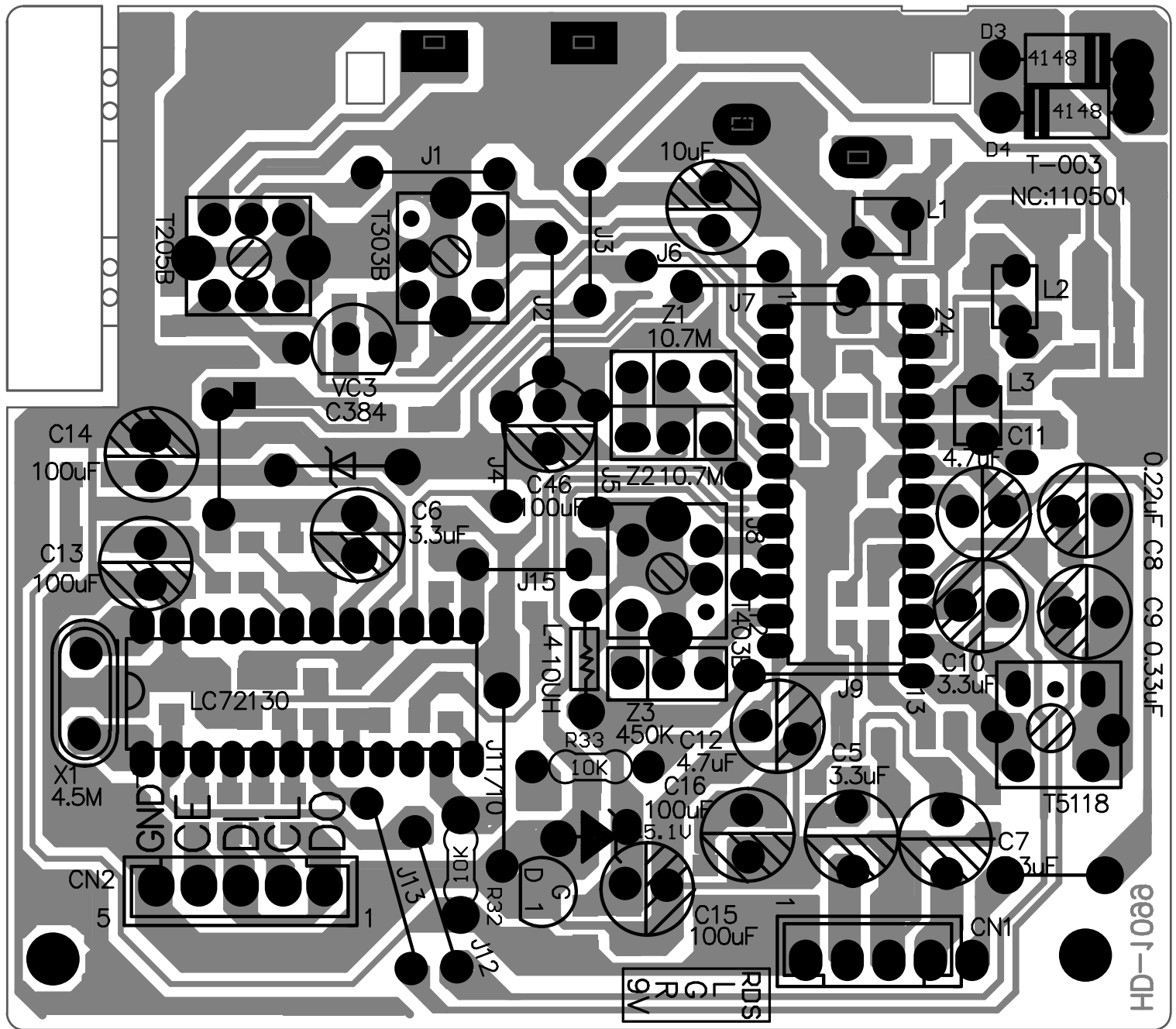
Notes: DVD part checking progress.

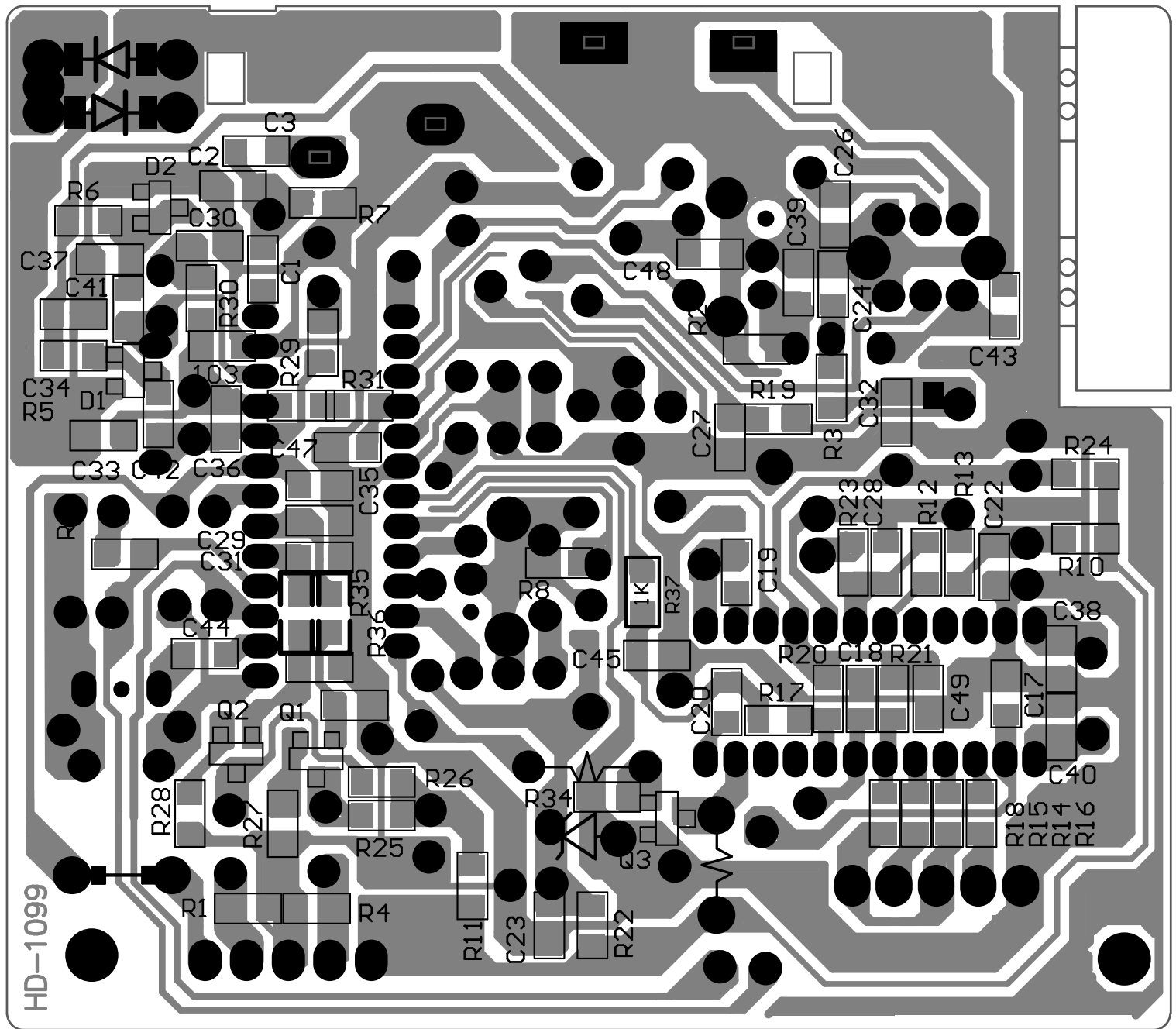
Discharging laser head need to pay attention

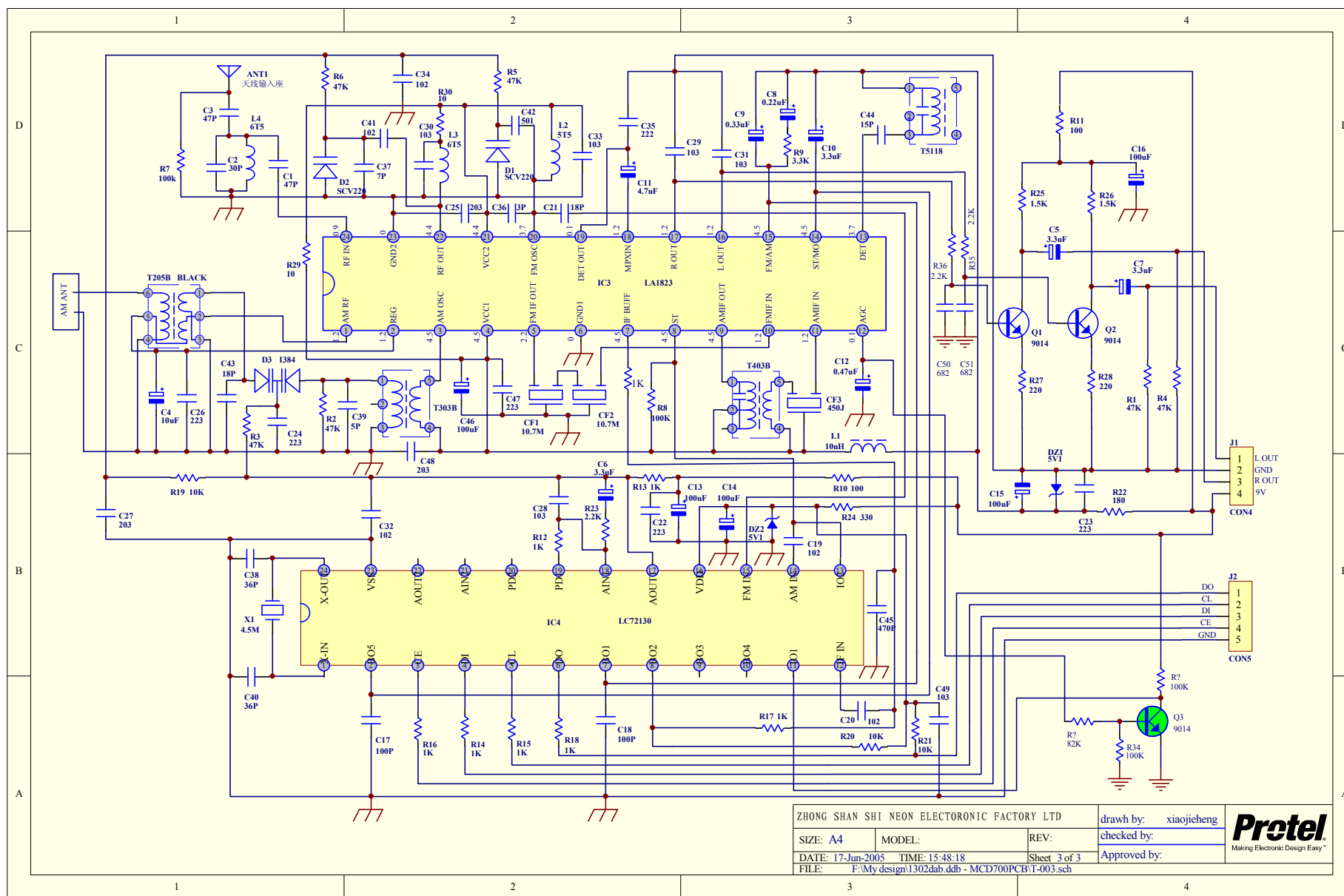
In order to prevent the laser head being destroyed by the static charges that came from human body or clothes when it read the laser light led from units, the following measures should be taken when it is discharge:

1. To lay a electric blanket on the working desk and pack the exchange parts with black color packing material.
2. Put the conducting electric blanket on the conductor base, make the conducting electric blanket in a good earth connecting state.
3. Put a head on the conducting electric blanket, make it the same electric potential as the earth.
4. Then discharge the laser led and check the unit parts.
5. Complete the requirement on the conducting electric blanket. Be careful don't let clothes or other static charges resource touch the laser head parts.
6. The conducting electric ring which is on the wrist should be connected with the conducting electric blanket.
7. The conducting electric blanket and the working desk that made of copper or other conductor should be properly connected to earth when being used.
8. When charging laser head components, printed board's and ends.
9. After finishing changed laser head components, should cut off the short circuit 's ends.



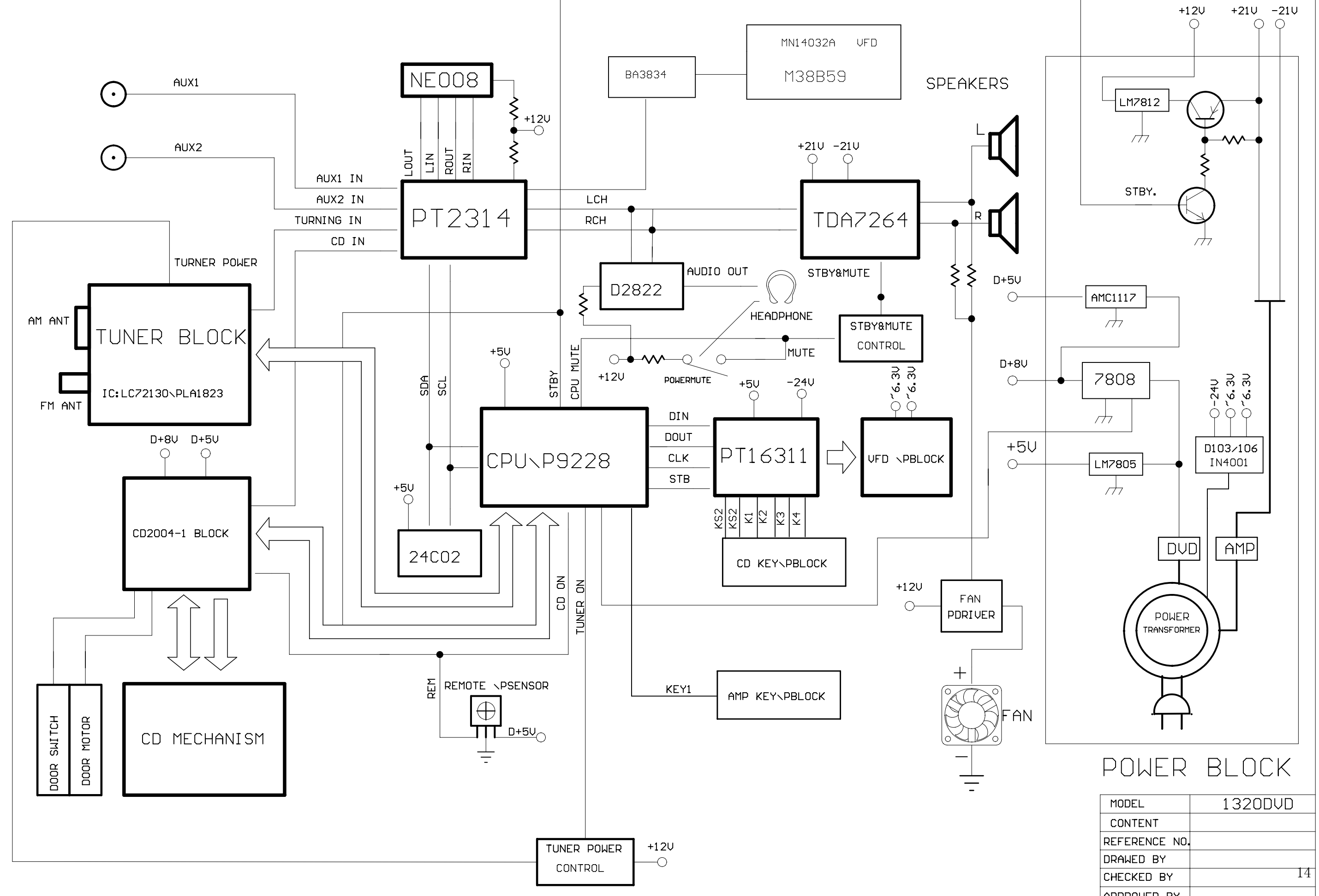






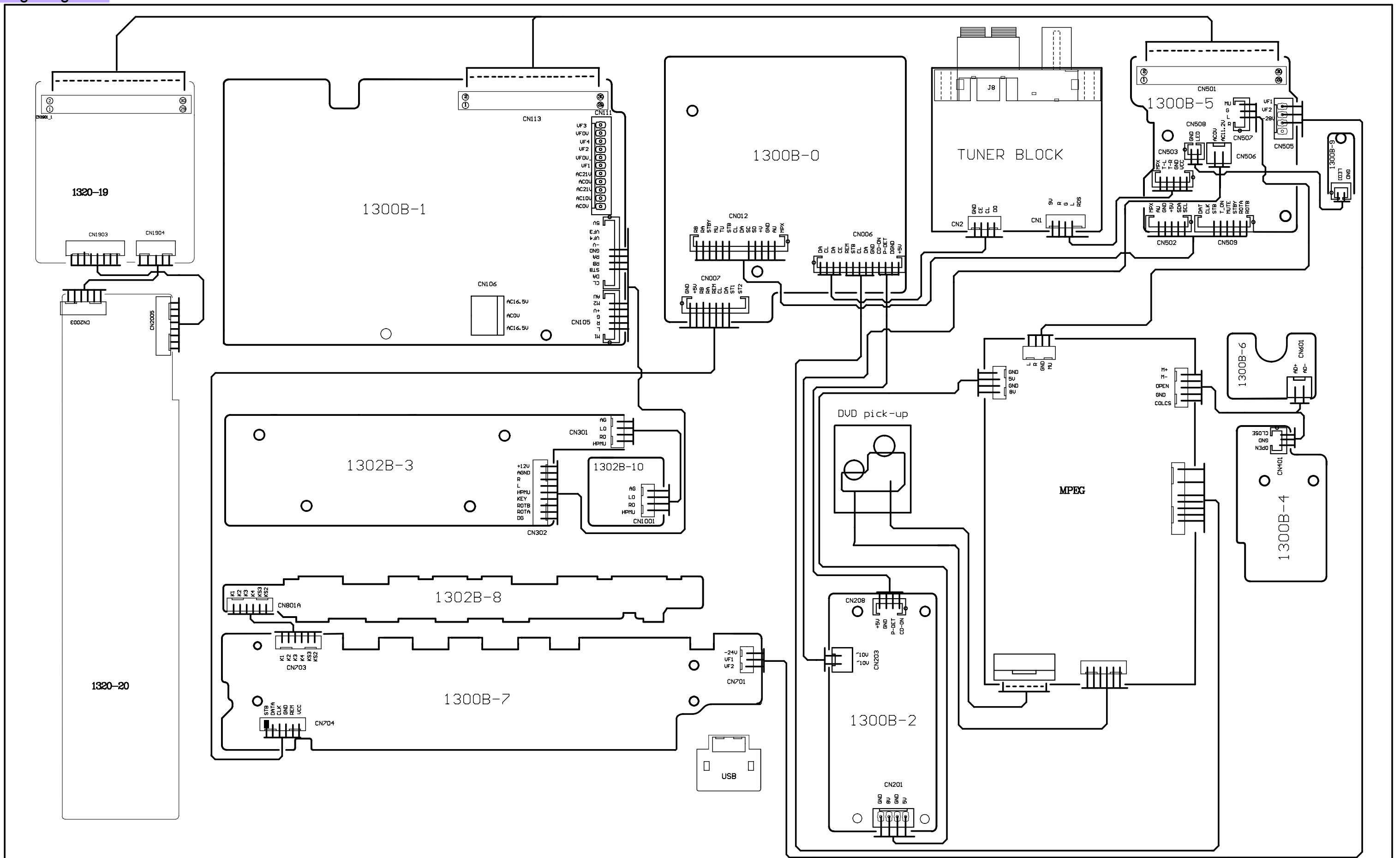
Schematic Block Diagram

1
2
3
4
5



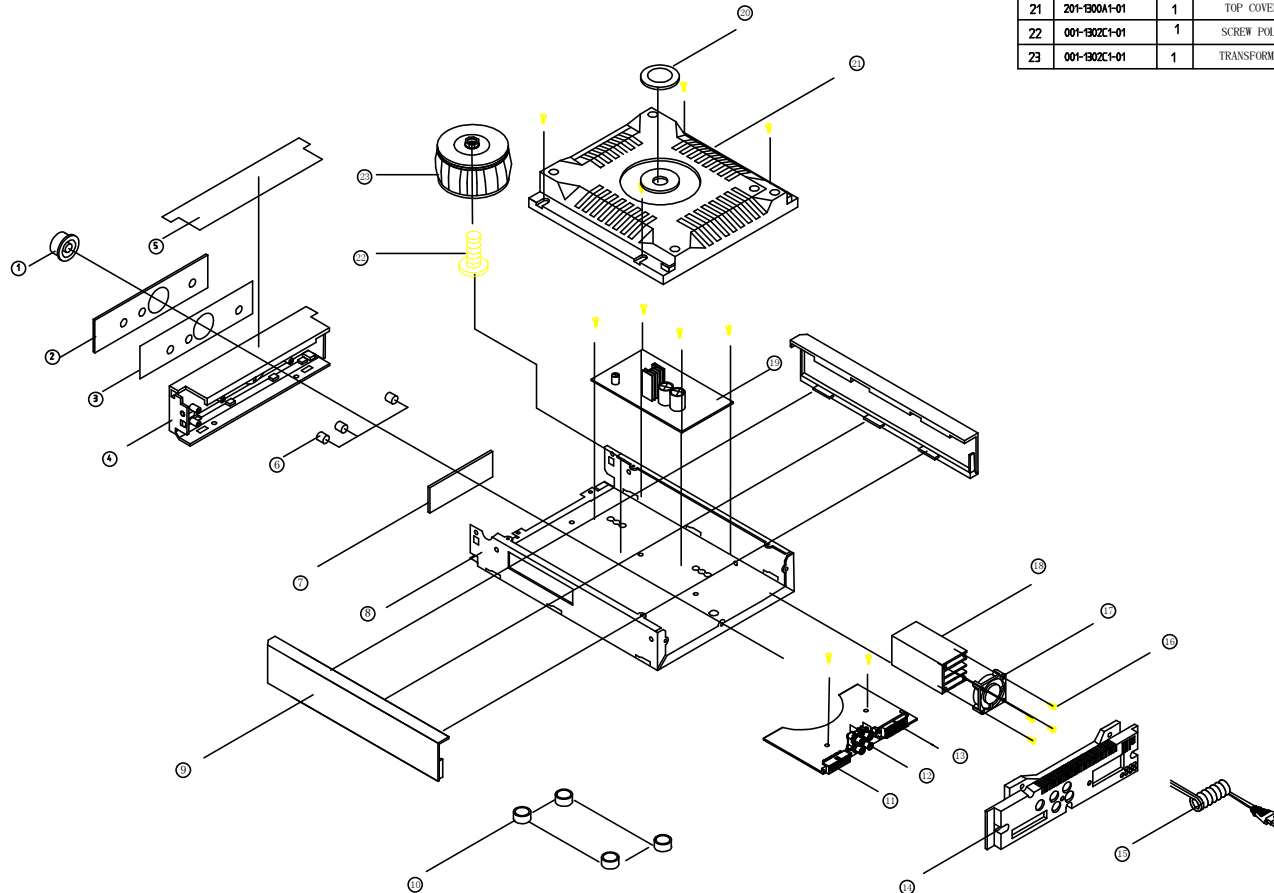
POWER BLOCK

MODEL	1320DVD
CONTENT	
REFERENCE NO.	
DRAWN BY	
CHECKED BY	14
APPROVED BY	



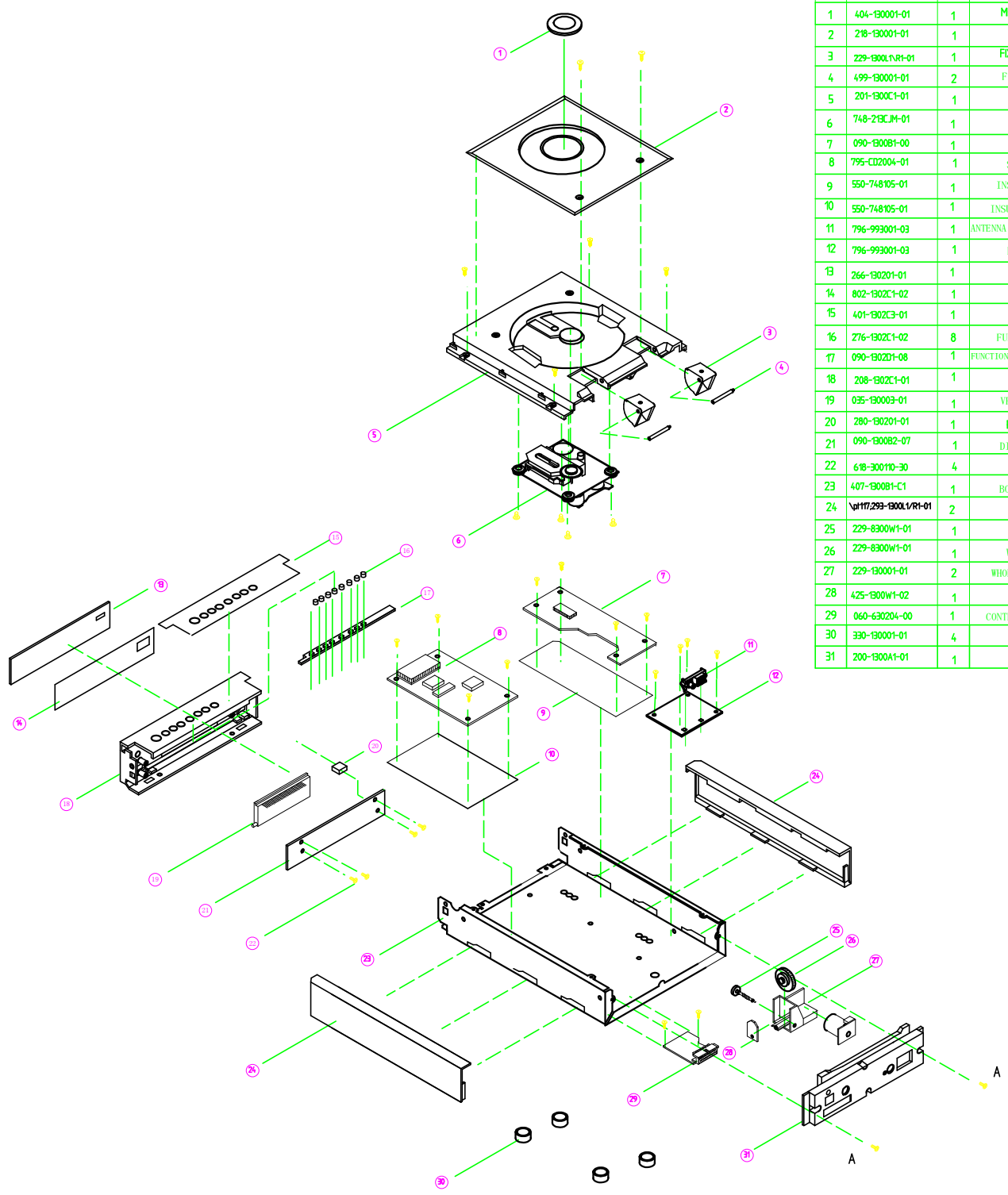
Title: 1320Uwiring diagram		drawn by:
Size: A4		checked by:
Revision: 0.2	Sheet 1of1	Approved by:
Date: 2005-02-20		15

NO.	PART NO.	QTY.	DESCRIPTION
1	410-13001-01	1	VOLUME KNOB
2	266-1302A1-01	1	FRONT LENS
3	802-1302A1-01	1	PASTER
4	208-1302A1-01	1	FRONT PANEL
5	401-1302A1-01	1	TOP PLATE/ALUMINUM SHEET
6	276-1302A1-01	2	FUNCTION KNOB
7	090-1302D1-03	1	VOLUME CONTROL CABLE BOARD
8	407-1300B1-A1	1	BOTTOM CABINET
9	117293-1300L1/R1-01	2	SIDE PANEL
10	330-130001-01	4	RUBBER PAD
11	060-630204-00	1	CONTROL CABLE JACK
12	061-400407-41	1	ASSISTANCE INPUT JACK
13	061-340416-01	1	SPEAKER OUTPUT JACK
14	200-1300A1-01	1	BACK PANEL
15	071-195142-V1	1	POWER CORD
16	618-300110-30	4	SCREW
17	736-401208-01	1	FAN
18	481-1302D1-02	1	HEAT SINK (BIG)
19	090-1300B1-01	1	AMP PCB
20	404-130001-01	1	METAL TRIMMING
21	201-1300A1-01	1	TOP COVER
22	001-1302C1-01	1	SCREW POLE
23	001-1302C1-01	1	TRANSFORMER



DRAWN		REVISED		TITLE	1302-DVD AMP		
CHECKED		DESIGNED		MODEL NO.			
APPROVED		DATE		AO	PROJ. NO.	DATE ISS.	ISSUE
BY		DATE		SCALE	SHEET	TOP	1

Exploded view



NO.	PART NO.	QTY.	DESCRIPTION
1	404-B0001-01	1	METAL PANEL
2	218-B0001-01	1	CD DOOR
3	229-B001V/RT-01	1	FIXTURE HOLDER
4	499-B0001-01	2	FIXTURE AXLE
5	201-B0001-01	1	CD TRAY
6	748-213C/M-01	1	MECHANISM
7	090-B0081-00	1	CPU PCB
8	795-CD2004-01	1	SERVO BOARD
9	550-748105-01	1	INSULATION PAPER
10	550-748105-01	1	INSULATION PAPER
11	796-993001-03	1	ANTENNA RECEIVER TERMINAL
12	796-993001-03	1	RADIO PCB
13	266-B0201-01	1	FRONT LENS
14	802-B0201-02	1	PASTER
15	401-B0203-01	1	TOP PANEL
16	276-B0201-02	8	FUNCTION KNOBS
17	090-B0201-08	1	FUNCTION KNOB CONTROL BOARD
18	208-B0201-01	1	FRONT PANEL
19	035-B0003-01	1	VFD DISPLAY
20	280-B0201-01	1	POWER KNOB
21	090-B0082-07	1	DISPLAY BOARD
22	618-300110-30	4	SCREW
23	407-B0081-C1	1	BOTTOM CABINET
24	V017293-B001V/RT-01	2	SIDE PANEL
25	229-8300W1-01	1	WHORL ROL
26	229-8300W1-01	1	WHORL WHEEL
27	229-B0001-01	2	WHORL ROD HOLDER
28	425-B001W1-02	1	METAL
29	060-630204-00	1	CONTROL CABLE JACK
30	330-B0001-01	4	RUBBER PAD
31	Z00-B00A1-01	1	BACK PANEL

DRAWN		REFERENCE		TITLE	B02-DVD		
CHECKED		UNLESS OTHERWISE SPECIFIED		MODEL NO.			
APPROV.		FINISH		AO	PART NO.	ENG. NO.	ISSUE
BY ANGLE PROJECTION				SCALE	SHEET	1 OF	1

ELECTRONICAL PERFORMANCE SPECIFICATION

MODEL: 1302D (AM/FM 25Wx2)

EDITED: _____ CHECKED: _____

APPROVED: _____

TESTING CONDITIONS:

Page: 1 of 5

1. POWER: AC230V 50Hz (OPTIONAL)

Ver : A

2. STANDARD OUTPUT: 8 1W ,MID-SET EQ

Date : 2004-7-15

3. FM MODE: 22.5KHz ,1KHz MODULATION ,75 IMPEDANCE ,60dBu DIRECT OUTPUT

4. AM MODE: 30% FREQUENCY DEVIATION , 1KHz MODULATION ,50 IMPEDANCE , 74dBu CIRCLE ANTENNA OUTPUT

5. FM STEREO DEVIATION: MAIN CHANNEL+SECONDARY=67.5KHz,NF PILOT SIGNAL: 6.0KHz,RECOMBINATION: 75.0KHz

6. CD #TCD-784 0dB 1KHz

AM SECTION :

NO	TEST ITEMS	UNIT	STANDARD VALUE	LIMITING VALUE	TEST DATA			
					1#	2#	3#	
1	FREQUENCY RANGE	LOW	531	531				
		HIGH	1602	1602				
2	MAX SENSITIVITY	603KHz	56	60				
		999KHz	56	60				
		1404KHz	56	60				
3	NOISE LIMITING SENSITIVITY (S/N=26dB)	603KHz	58/64	64/70				
		999KHz	58/64	64/70				
		1404KHz	58/64	64/70				
4	AUTO STOP SENSITIVITY	FULL BAND	60	+/- 10				
5	DIAL ERROR	FULL BAND	KHz	± 9	± 18			
6	SIGNAL-TO-NOISE RATIO(100dBm)	999KHz	dB	40	30			
7	MID-FREQUENCY	603kHz	KHz	450	± 5KHz			
8	MID-FREQUENCY REJECTION	603kHz	dB	50	40			
9	MIRROR-REJECTION	1404kHz	dB	46	40			
10	SELECTIVITY	999kHz	dB	20	15			
11	TRANSMISSION BANDS(-6dB)	999kHz	KHz	12	10			
12	AUTOMATIC GAIN CONTROL	999kHz	dB	50	40			
13	TUNING HOM	999kHz	dB	-40	-30			
14	VOICE FREQUENCY RESPONSE(-6dB)	999kHz	Hz	20~3.5K	30~3.15K			
15	DISTORTION	999kHz	%	2	4			
16	OUTPUT POWER (THD 10%)	999kHz	W	22	+/- 10%			
17	MAX VOLUME POWER DISTORTION	999kHz	%	10	15			
18	LOADING DISTORTION	999kHz	%	3	6			

FM SECTION :								
NO	TEST ITEMS		UNIT	STANDARD VALUE	LIMITING VALUE	TEST DATA		
						1#	2#	3#
1	FREQUENCY RUNGE	LOW	MHz	87.5	87.5			
		HIGH		108	108			
2	MAX SENSITIVITY	90MHz	dB _u	16	20			
		98MHz		16	20			
		106MHz		16	20			
3	NOISE LIMITING SENSITIVITY (S/N=30dB)	90MHz	dB _u	22	26			
		98MHz		22	26			
		106MHz		22	26			
4	AUTO STOP SENSITIVITY	FULL BAND	dB _u	30	± 10			
5	DIAL ERROR	FULL BAND	MHz	± 0.1	± 0.2			
6	LIGHTING SENSITIVITY	98MHz	dB _u	20	25			
7	SIGNAL-TO-NOICE RATIO(100dBm)	98MHz	dB	50	46			
8	MID-FREQUENCY	90MHz	KHz	10.7	± 0.2			
9	MID-FREQUENCY REJECTION	90MHz	dB	50	40			
10	MIRROR-REJECTION	106MHz	dB	50	40			
11	SEPARATION	98MHz	dB	25	20			
12	TRANSMISSION BANDS(-6dB)	90MHz	KHz	15	20			
13	AUTOMATIC GAIN CONTROL	98MHz	dB	40	30			
14	TUNNING HOM	98MHz	dB	-40	-35			
15	VOICE FREQUENCY RESPONSE	98MHz	Hz	20~5.5K	30~4K			
16	DISTORTION	98MHz	%	1	3			
17	OUTPUT POWER (THD 10%)	98MHz	W	22	+/- 10%			
18	LOADING DISTORTION	98MHz	%	2	4			
19	STEREO CHANNLE BALANCE	98MHz	dB	2	3			

DVD/VCD/CD SECTION :									
NO	TEST ITEMS		UNIT	STANDARD VALUE	LIMITING VALUE	TEST DATA			
						1#	2#	3#	
1	TCD-725	SCRATCHES	mm	0.8	0.7				
		BLACK SPOT	mm	0.8	0.6				
		FINGER PRINT	um	0.75	0.75				
2	TCD-712 TCD-731	THE FIRST AND THE LAST SONG		PASS					
3	TCD-784 LOADING	THE TIME OF PLAYING DISK	SEC	8	10				
		THE TIME BETWEEN PLAYING SONGS		1	2				
		SEARCHING TIME FROM THE FIRST SONG TO THE LAST SONG		3	5				
		MAX VOLUME DISTORTION	%	15	20				
		OUTPUT POWER (THD 10%)	W	25	-10%				
		TATED POWER DISTORTION	%	0.5	0.7				
		S/N(1KHz)	dB	65	63				
			125Hz		± 1	± 3			
			1KHz		0	0			
			10KHz		± 1	± 3			
			20KHz		± 1	± 3			
			CHANNEL BALANCE	dB	1	3			
			CHANNEL SEPARTION	1KHz	L	45	40		
	R								
	10KHz	L		40	35				
		R							
4	TEST DISK VCD/DVD	VIDEO FREQUENCY OUTPUT LEVEL	V	1	1 ± 0.2				
		LEVEL DEFINITION(VCD/DVD)	TV LINE	250/500	250/500				
		COLOR S/N	AM	dB	45	45			
			PM		40	40			
		LIGHTNESS S/N(PAL)		dB	50	50			

AUX SECTION :									
NO	TEST ITEMS			UNIT	STANDARD VALUE	LIMITING VALUE	TEST DATA		
							1#	2#	3#
1	MAX POWER OUTPUT (INPUT SINGAL PRESSURE:1KHz/500mV)		AUX	W	25	± 10%			
2	RESPONSE (40Hz~16KHz)		AUX	dB	± 1	± 2			
3	TATED POWER DISTORTION		AUX	%	0.5	0.7			
4	MAX POWER DISTORTION		AUX	%	15	20			
5	INPUT SENSTITVITY (RATED POWER OUTPUT 15W)		AUX	mV	280	± 20			
6	OVER LOADING ELECTROMOTIVE FORCE		AUX	V	2.2	2			
7	SEPARATION		AUX	L	dB	45	40		
				R					
8	S/N(1KHz)			dB	65	63			
9	CHANNEL BALANCE			dB	1	2			
10	QUIESCENT HUM/NOISE			mV	1/2	2/3			
11	WOOFER OUT		100Hz(OPTIONAL)		V	1.2	± 0.5		
12	LEVEL BALANCE	FM 75KHz	(1KHz)	dB	0	REF			
		AM 60%			0	+/- 3			
		CD #784 0db			0	+3/ -5			
		AUX 1V			0	+/- 5			

OTHER SECTION :																
NO	TEST ITEMS			UNIT	STANDARD VALUE	LIMITING VALUE	TEST DATA									
							1#	2#	3#							
1	EARPHONE OUTPUT:32 MAX(THD 10%)			mW												
					30	+20/-10										
2	AUX SENSITIVITY			V	0.5	± 0.2										
3	PRESET-EQ			dB												
										FLAT	80Hz	0	± 2			
											1KHz	0	+/- 1			
											10KHz	0	± 2			
										JAZZ	80Hz	+3	± 2			
											1KHz	0	+/- 1			
											10KHz	-4	± 2			
										POPS	80Hz	+3	± 2			
											1KHz	0	+/- 1			
											10KHz	-8	± 2			
										ROCK	80Hz	+4	± 2			
											1KHz	0	+/- 1			
											10KHz	-8	± 2			
										CLASSIC	80Hz	+3	± 2			
											1KHz	0	+/- 1			
10KHz	0	± 2														

BOM NO.	DESCRIPTION	QTY	UNIT	USE
09-NE1302U-01A102	AMP UNIT PARTS ASS'Y NE-1302U VIETA	1	SET	
07-NE1300-01A605	CPU PCB ASS'Y NE-1302U RDS	1	SET	
15000007	FIXED INDUCTOR 10u	3	PCS	L001, 006, 007
22000018	CERMIC FILTER FREQUENCY 4.19mHz	1	PCS	X002
13000176	CARBON FILM RESISTOR 100 1/8W J	4	PCS	R029, 032, 033, 045
13000178	CARBON FILM RESISTOR 100 1/8W J-52	13	PCS	R002, 005, 006, 022-024, 031, 034-036, R041-043
13000184	CARBON FILM RESISTOR 10K 1/8W J	2	PCS	R001, 003
13000191	CARBON FILM RESISTOR 10K 1/8W J	2	PCS	R004, 009
13000193	CARBON FILM RESISTOR 10K 1/8W J-52	5	PCS	R007, 025-028
13000295	CARBON FILM RESISTOR 2.2K 1/8W J	1	PCS	R010
13000303	CARBON FILM RESISTOR 22K 1/8W J-52	1	PCS	R014
13000401	CARBON FILM RESISTOR 4.7K 1/8W J-52	1	PCS	R021
13000406	CARBON FILM RESISTOR 47K 1/8W J-52	1	PCS	R020
14000007	CERMIC CAP. 100p 50V K	12	PCS	C005-007, 034, 039, 042-044, 049, C052-054
14000015	CERMIC CAP. 103P 50V K	2	PCS	C037, 038
14000019	CERMIC CAP. 104P 50V K	4	PCS	C008, 022, 031, 032
14000030	CERMIC CAP. 15p 50V K	2	PCS	C015, 016
14000061	CERMIC CAP. 30p 50V ±1p	2	PCS	C019, 020
14000068	CERMIC CAP. 330p 50V K	1	PCS	C029
14000079	CERMIC CAP. 47p 50V K	1	PCS	C033
14000092	CERMIC CAP. 560p 50V K	1	PCS	C036
14000102	CERMIC CAP. 82P 50V K	1	PCS	C035
14000516	ELECTROLYTIC CAP. 10u 25V L L10 5X11	1	PCS	C021
14000232	ELECTROLYTIC CAP. 2.2u 50V L 5X11	1	PCS	C030
14000319	ELECTROLYTIC CAP. 47u 16V L 5X11	1	PCS	C048
16000016	DIODE4148	4	PCS	D003, 004, 007, 009
19000086	IC PT2579-S(SOL16)	1	PCS	U006
19000026	IC AT24C01/AT24C02 2.7V	1	PCS	U007
22000021	CRYSTAL OSC FREQ. 32.768KHz Φ 3XH8 ±10PPM	1	PCS	X001
22000009	CRYSTAL 4.332mHz 49U	1	PCS	X003
25000049	PINS CONNECTOR 2.0/8P	1	PCS	CN007
35-NE1300-01A6	CPU PCB 1300B-0 29X245.5CM/3 TC13756	1	PCS	
07-NE1300-01A401	SWITCH PCB ASS'Y NE-1302D	1	SET	
23000047	SPECIAL SWITCH TC-V030A	2	PCS	SW401, 402

25000014	PINS CONNECTOR 2.0/3P	1	PCS	CN401
35-NE1300-01A4	OPEN DOOR PCB 28X48 1300B-4 TC13756	1	PCS	
37-NE1300-02A100	NE-1300 SWITCH BRACKET	1	PCS	
38000049	SCREW 3 X 4 BM NICKEL-PLATE	2	PCS	
07-NE1300-01A905	CONNECTOR PCB ASS'Y NE-1302U	1	SET	
13000184	CARBON FILM RESISTOR 10K 1/8W J	1	PCS	R502
13000191	CARBON FILM RESISTOR 10K 1/8W J	1	PCS	R501
13000253	CARBON FILM RESISTOR 15K 1/8W J	2	PCS	L502, 503
14000007	CERMIC CAP. 100p 50V K	12	PCS	C505-516
14000011	CERMIC CAP. 102p 50V K	2	PCS	C502, 504
14000019	CERMIC CAP.104P 50V K	1	PCS	C503
14000252	ELECTROLYTIC CAP. 220u 16V L 6.3X11	1	PCS	C501
16000016	DIODE4148	1	PCS	D502
17000022	TRANSISTOR 8050C	1	PCS	Q501
17000028	TRANSISTOR 8550-C	1	PCS	Q502
25000009	PINS CONNECTOR 2.0/2P	1	PCS	CN508
25000016	PINS CONNECTOR 2.5/3P	1	PCS	CN505
25000025	PINS CONNECTOR 2.0/4P	1	PCS	CN507
25000034	PINS CONNECTOR 2.0/5	1	PCS	CN503
25000040	PINS CONNECTOR 2.0/6P	2	PCS	CN502, 509
25000075	PIN CONNECTOR 30P BENDING L=8.8	1	PCS	CN501
33000020	FERRITE BEAD JRHW0390 BLUE	1	PCS	L501
35-NE1300-01A9	CONNE. PCB №:1300B-5 94V-0 51.5X54	1	PCS	
07-NE1300-01A302	MOTOR PCB ASS'Y NE-1302U	1	SET	
13000184	CARBON FILM RESISTOR 10K 1/8W J	1	PCS	R601
16000102	RECTIFIER DIODE 4001	2	PCS	D601, R602
17000028	TRANSISTOR 8550-C	1	PCS	Q601
25000012	PINS CONNECTOR 2.5/2P	1	PCS	CN601
35-NE1300-01A3	MOTOR PCB 1300 20X27 1300B-6 TC13756	1	PCS	
34000015	MOTRO RF-370C XTL-15370	1	PCS	
37-NE1300-01A100	1300 WORM PREFORMING	1	PCS	
39-NE1300-09A100	NE1300 WORM WHEEL BRACKET	1	PCS	
32000127	WORM PREFORMING NE-1300 ASS'Y SET	1	SET	
39000431	SINGLE MOTOR WHEEL WHITE	1	PCS	
36000290	LEATHER BELT NE-1300	1	PCS	

36000042	ROD FIBER PAPER WASHER 3X8X0.5	2	PCS	
38000028	SCREW 3 X 4 FM NICKEL-PLATE	2	PCS	
38000114	SCREW 3 X 10 PA NICKEL-PLATE	1	PCS	
07-T003-01A102	T003 TUNER BOARD PCB ASS'Y NE-1302U	1	SET	
12000024	I.F.T. COIL PINK 511BE FH07-515307NP	1	PCS	T1
12000012	I.F.T. COIL 205B	1	PCS	T3
12000015	I.F.T. COIL 303B	1	PCS	T4
12000022	I.F.T. COIL 403B	1	PCS	T2
12000050	WOUND COIL Φ 2X5.5X0.4	1	PCS	L3
12000038	WOUND COIL Φ 2X6.5X0.4	2	PCS	L1, 2
15000007	FIXED INDUCTOR 10u	1	PCS	L4
20000003	AM FILTER 450J MG(3 PINS)	1	PCS	Z3
20000009	FM CERMIC FILTER 10.7MHz 3 PINS TDK	2	PCS	Z1, 2
13000196	CARBON FILM RESISTOR 100K 1/8W J	1	PCS	R32
13000477	CARBON FILM RESISTOR 82K 1/8W J	1	PCS	R33
13000456	CARBON FILM RESISTOR 68K 1/8W J	1	PCS	J12
14000367	CHIP CERAMIC CAP. 3p 50V J(0805)NPO	1	PCS	C36
14000369	CHIP CERAMIC CAP. 5p 50V J(0805)NPO	1	PCS	C39
14000371	CHIP CERAMIC CAP. 7p 50V J(0805)NPO	1	PCS	C37
14000373	CHIP CERAMIC CAP. 100P 50V K (0805) X7R	2	PCS	C17, 18
14000375	CHIP CERAMIC CAP. 102P 50V K (0805) X7R	4	PCS	C19, 20, 32, 34
14000379	CHIP CERAMIC CAP. 103P 50V K (0805) X7R	8	PCS	C28-31, 33, 49-51
14000395	CHIP CERAMIC CAP. 15p 50V J(0805) NPO	1	PCS	C44
14000399	CHIP CERAMIC CAP. 18p 50V J(0805) NPO	2	PCS	C21, 43
14000402	CHIP CERAMIC CAP. 203P 50V M(0805) Y5V	3	PCS	C25, 27, 48
14000407	CHIP CERAMIC CAP. 222P 50V K (0805) X7R	1	PCS	C35
14000410	CHIP CERAMIC CAP. 223P 50V M(0805) Y5V	3	PCS	C22, 23, 47
14000415	CHIP CERAMIC CAP. 30p 50V J(0805) NPO	1	PCS	C2
14000058	CERMIC CAP. 25p 50V K	1	PCS	C40
14000478	TRIMMER CAP. 10p M TC03Z100H169B00	1	PCS	VR1
14000434	CHIP CERAMIC CAP. 47p 50V J(0805)NPO	2	PCS	C1, 45
14000435	CHIP CERAMIC CAP. 470P 50V K (0805) X7R	1	PCS	C42
14000590	CERAMIC CAP 36p 50V K	1	PCS	C38
13000058	CHIP RESISTOR 0 1/16W J (0805)	5	PCS	RXXX \times 4, R37
13000062	CHIP RESISTOR 10 1/16W J (0805)	2	PCS	R29, 30

13000065	CHIP RESISTOR 100 1/16W J (0805)	2	PCS	R10, 11
13000067	CHIP RESISTOR 1K 1/16W J (0805)	7	PCS	R12-18
13000070	CHIP RESISTOR 10K 1/16W J (0805)	3	PCS	R19-21
13000074	CHIP RESISTOR100K 1/16W J (0805)	3	PCS	R7, 8, 34
13000085	CHIP RESISTOR 1.5K 1/16W J (0805)	2	PCS	R25, 26
13000090	CHIP RESISTOR 180 1/16W J (0805)	1	PCS	R22
13000098	CHIP RESISTOR 220 1/16W J (0805)	2	PCS	R27, 28
13000101	CHIP RESISTOR 2.2K 1/16W J (0805)	3	PCS	R23, 35, 36
13000113	CHIP RESISTOR 330 1/16W J (0805)	1	PCS	R24
13000115	CHIP RESISTOR 3.3K 1/16W J (0805)	1	PCS	R9
13000127	CHIP RESISTOR 47K 1/16W J (0805)	6	PCS	R1-6
14000496	CERAMIC CAP 223P 50VF L7	2	PCS	C24, 26
14000516	ELECTROLYTIC CAP. 10u 25V L L10 5X11	1	PCS	C4
14000011	CERMIC CAP. 102p 50V K	1	PCS	C41
14000079	CERMIC CAP. 47p 50V K	1	PCS	C3
14000521	ELECTROLYTIC CAP. 100u 16V M 5X11	4	PCS	C13-16
14000521	ELECTROLYTIC CAP. 100u 16V M 5X11	1	PCS	C46
14000532	ELECTROLYTIC CAP 0.22u 50V M 5X11	1	PCS	C8
14000544	ELECTROLYTIC CAP 0.33u 50V L L10 5X11	1	PCS	C9
14000545	ELECTROLYTIC CAP. 3.3u 50V L L10 5X11	4	PCS	C5-7, 10
14000550	ELECTROLYTIC CAP 0.47u 50V L L10 5X11	1	PCS	C12
14000552	ELECTROLYTIC CAP. 4.7u 50V L L10 5X11	1	PCS	C11
16000066	ZENER DIODE 5.1V 1/2W	2	PCS	ZD1, 2
16000001	VARIODE DIODE SCV220(SOT-23)	2	PCS	D1, 2
16000122	VARIODE DIODE I348 L13	1	PCS	D3
17000009	CHIP TRANSISTOR 9014 (SOT-23)	3	PCS	Q1-3
19000032	IC LC72130 SANYO	1	PCS	IC4
19000038	IC LA1823 SANYO	1	PCS	IC3
22000016	CRYSTAL OSC FREQ 4.5mHz 49S	1	PCS	X1
25000027	PINS CONNECTOR 2.5/4P	1	PCS	CN1
25000036	PINS CONNECTOR 2.5/5P	1	PCS	CN2
24000090	ANT. LEADING-OUT TERMINAL WP2-4B WP2-4B	1	PCS	
35-T003-01A1	TUNER PCB T003/03163 3A-59 23036	1	PCS	
41000489	Q.C PASSED LABEL Φ13	1	PCS	
07-NE1302U-01A104	DISPLAY PCB ASS'Y NE-1302U	1	SET	

13000520	CARBON FILM RESISTOR 3.3 1/2W-52	2	PCS	R701, 702
14000386	CHIP CERAMIC CAP. 104P 50V M (0805) Y5V	4	PCS	C701, 705, 706, 710
14000425	CHIP CERAMIC CAP. 334P 50V M (0805) Y5V	4	PCS	C702, 703, 707, 708
13000058	CHIP RESISTOR 0 1/16W J (0805)	3	PCS	R709, 733, 734
13000070	CHIP RESISTOR 10K 1/16W J (0805)	2	PCS	R729, 731
13000117	CHIP RESISTOR 33K 1/16W J (0805)	4	PCS	R725-728
13000124	CHIP RESISTOR 4.7K 1/16W J (0805)	1	PCS	R730
13000127	CHIP RESISTOR 47K 1/16W J (0805)	1	PCS	R732
14000321	ELECTROLYTIC CAP. 47u 16V L-5 5X11	1	PCS	C709
14000336	ELECTROLYTIC CAP. 47u 35V L-5 5X11	1	PCS	C704
16000018	DIODE 4148-52	3	PCS	D701-703
19000163	IC PT6311/SC16311/CD16311	1	PCS	IC701
29000160	VFD DISPLAY 1302DU NE-1402D-2. GB	1	PCS	VFD701
21000003	REMOTE SENSOR	1	PCS	S701
23000032	LIGHT TOUCH SWITCH TC103 6X6X5 170G	1	PCS	SW701
24000019	USB A-TYPE 4 P FEMALE 90° DIP TYPE	1	PCS	
36000102	BLACK SPONGE 10X8X6 40°	1	PCS	
35-NE1302U-01A1	DISPLAY/USB PCB NE-1302DU 1302U-V3	1	PCS	
07-NE1300-05A101	DVD PUSH KEY PCB ASS'Y NE-1302D	1	SET	
23000026	LIGHT TOUCH SWITCH HCT-1106W 6X3X4.3	8	PCS	SW801-808
35-NE1300-05A1	PUSH KEY PCB 1302 1302B-8 TS8682/TC15080	1	PCS	
07-NE1300-01A501	LAMP PCB ASS'Y NE-1302D	1	SET	
13000184	CARBON FILM RESISTOR 10K 1/8W J	1	PCS	R901
16000035	LED DIODE Φ3 3B4SCB01 (BLUE)	1	PCS	LED901
35-NE1300-01A5	LAMP PCB 8X20 1300B-9 TC13756	1	PCS	
07-NE1300-01A801	OPTICAL TERMINAL PCB ASS'Y NE-1302D	1	SET	
25000014	PINS CONNECTOR 2.0/3P	1	PCS	CN1502
24000101	OPTICAL DIGITAL JACK TX179AT 0248-CDA	1	PCS	CN1501
35-NE1300-01A8	OPTICAL TERMINAL PCB 1300B-15	1	PCS	
07-NE1300-04A102	SMALL POWER PCB ASS'Y NE-1302U 2576	1	SET	
19000176	IC LM2576-ADJP T-220	1	PCS	IC11
25000038	PINS CONNECTOR 2.5/5P	1	PCS	CN11
38000305	SPRING WASHER SIZE Φ3 NICKEL-PLATE	1	PCS	U203/2576ADJP×1
35-NE1300-04A1	POWER PCB 2576 1301B-25 03188	1	PCS	
07-NE1300-01A201	VIDEO OUTPUT ASS'Y NE-1302D	1	SET	

24000100	SINGLE RCA SOCKET AV-8.4-0.8A YELLOW	1	PCS	CN1101
25000009	PINS CONNECTOR 2.0/2P	1	PCS	CN1102
35-NE1300-01A2	VIDEO OUTPUT PCB 20X16 1300B-11 TC13756	1	PCS	
07-NE1300-03A103	POWER PCB ASS'Y 1302U	1	SET	
15000014	FIXED INDUCTOR 22u	1	PCS	L201
15000021	FIXED INDUCTOR 220u JTC5026B-03	1	PCS	L202
13000186	CARBON FILM RESISTOR 1K 1/8W J-52	1	PCS	R209
13000008	METAL OXIDE FILM RESISTOR 150 1/8WF-52	1	PCS	R211
13000514	CARBON FILM RESISTOR 220 1/4W J	1	PCS	R205
13000020	METAL OXIDE FILM RESISTOR 2.2K 1/8WF-52	1	PCS	R212
13000352	CARBON FILM RESISTOR 3.3K 1/8W J-52	1	PCS	R204
13000384	CARBON FILM RESISTOR 47 1/4W J	1	PCS	JP202
13000401	CARBON FILM RESISTOR 4.7K 1/8W J-52	1	PCS	R202
13000406	CARBON FILM RESISTOR 47K 1/8W J-52	1	PCS	R207
13000049	METAL OXIDE FILM RESISTOR 6.8K 1/8WF-52	1	PCS	R210
14000019	CERMIC CAP. 104P 50V K	3	PCS	C208, 210, 212
14000023	CERMIC CAP. 104P 100V K	2	PCS	C209, 215
14000206	ELECTROLYTIC CAP. 100u 25V L 6.3X11	1	PCS	C205
14000527	ELECTROLYTIC CAP. 1000u 16V L L10 10X16	1	PCS	C213
14000252	ELECTROLYTIC CAP. 220u 16V L 6.3X11	1	PCS	C207
14000272	ELECTROLYTIC CAP. 2200u25V L 13X21	1	PCS	C211
14000319	ELECTROLYTIC CAP. 47u 16V L 5X11	1	PCS	C201
14000560	ELECTROLYTIC CAP. 470u 16V L 8X11.5	1	PCS	C204
16000016	DIODE4148	1	PCS	D203
16000018	DIODE 4148-52	2	PCS	D205, 206
16000075	ZENER DIODE 7.5V 1/2W	1	PCS	ZD202
16000113	RECTIFIER DIODE 5822	1	PCS	D201
17000022	TRANSISTOR 8050C	1	PCS	Q201
18000007	THYRISTOR RS406(4A)	1	PCS	D202
19000103	IC LM7805/LM340T5 7805	1	PCS	U202
25000012	PINS CONNECTOR 2.5/2P	1	PCS	CN203
25000025	PINS CONNECTOR 2.0/4P	1	PCS	CN205
25000029	PINS CONNECTOR 2.5/4P	1	PCS	CN201
35-NE1300-03A1	POWER PCB 33X77 03186 1300D-2	1	PCS	
04-NE1302U-01A102	DECODER CARD ASS'Y NE-1302U ZM601D-2AL	1	SET	

32000214	DVD DECODER CARD ZM601D-2AL 2.0CH	1	PCS	
46-NE1302U-01A101	NE-1302U DVD SOFTWARE(V1.0)	1	PCS	
04-NE1302U-02A102	MCU PARTS ASS'Y NE-1302U	1	SET	
19000169	CPU U252(3P9228 XYZ-CAN CHANGE)	1	PCS	U004
45-NE1302U-01A101	NE-1302U CPU SOFTWARE(V1.0)	1	PCS	
08-NE1302U-01A102	DISC ASS'Y NE-1302U 313A机芯	1	SET	
31000075	DVD MECHANISM SONY KHM-313AHC	1	PCS	
36000265	DVD MECHANISM SHOCKPROOF WASHER BLUE	4	PCS	
08-NE1302U-02A102	DVD CASING PARTS ASS'Y VIETA VMD55USB	1	SET	
37-NE1302-02A100	NE-1302 CD ALUMINIUM PUSH KEY PLATE	1	PCS	
37-NE1300-05A101	1300 DISPLAY ADORN COVER	1	PCS	
37-NE1300-09A101	CD UNIT METAL BOTTOM(NEW) 1300B	1	PCS	
39-NE1302-09A101	NE1302 CD PUSH KNOB(B)	1	PCS	
39-NE1302-12A101	NE1302 CD PUSH KNOB(M) SILVER	1	PCS	
39-NE1302-13A101	NE1302 CD PUSH KNOB(S) SILVER	6	PCS	
37000299	METAL WASHER	1	PCS	
37-NE1300-03A100	NE-1300 CD DOOR BRACKET COUPLING SHAFT	2	PCS	
37-NE1300-04A100	NE-1300 CD DOOR BRACKET CONNECTION SHEET	2	PCS	
39-NE1300-26A102	NE1300 CD BACK CABINET S0038 FM/AM	1	PCS	
39-NE1301-01A101	1301 DVD HASSIS S0038 ARGENT	1	PCS	
39-NE1300-16A100	NE1300 FOOT ZR3266A	4	PCS	
39-NE1302-14A101	NE1302CD FRONT CABINET S0038	1	PCS	
39-NE1300-15A107	NE1300 CD DOOR ZG4132	1	PCS	
39-NE1300-12A100	1300CD CHASSIS	1	PCS	
39-NE1300-06A101	NE1300 CD DOOR(L)BRACKET ABS SILVER	1	PCS	
39-NE1300-07A101	NE1300 CD DOOR(R)BRACKET ABS SILVER	1	PCS	
39-NE1300-13A101	NE1300 SIDE PLATE(L)HIPS	1	PCS	
39-NE1300-14A101	NE1300 SIDE PLATE(R) HIPS	1	PCS	
36000220	NE-1300 RUBBER FOOT ZJ28 Φ 8X Φ 5X11	4	PCS	
36000248	TRANSLUCENCE PAD CORD Φ 7X Φ 3XH7 EJ28	2	PCS	
39-1322-01A200	FILTER LENS 1322	1	PCS	
39000458	PLASTIC POLE H=3	3	PCS	
39-NE1300-05A100	1300CD PLASTIC TUBE MID	4	PCS	
39-NE1300-04A100	NE1300CD ROD CORD H=5	4	PCS	
39-NE1302-02A111	1302 DVD DISPLAY LENS VIETA VMD55USB	1	PCS	

39-NE1400-02A100	1400 PCB ROD CORD H=7	1	PCS	
41000446	FELT PAPER Φ 3.5 19X19X0.3mm	2	PCS	
36000363	WIRE TIC 70	6	PCS	
39-NE1302-05A101	NE1302 POWER KNOB ABS	1	PCS	
37000609	MIC PCB METAL PLATE 11X7X1 Φ 3 HOLD	2	PCS	
38000243	SCREW 2.6 X 8 PT NICKEL-PLATE	2	PCS	
38000286	SCREW 3 X 10 BMTT NICKEL-PLATE	8	PCS	
38000056	SCREW 3 X 6 BM NICKEL-PLATE	1	PCS	
38000068	SCREW 3 X 5 FMTT NICKEL-PLATE	4	PCS	
38000034	SCREW 3 X 9 FM (W/NUT) NICKEL-PLATE	2	PCS	
38000059	SCREW 3 X 8 BM NICKEL-PLATE	1	PCS	
38000320	OUTSIDE HEXAGON GALVANIZED M3 NICKEL-PL.	1	PCS	U203/2576ADJP
38000282	SCREW 3 X 8 BMTT NICKEL-PLATE	3	PCS	
38000279	SCREW 3 X 6 BMTT NICKEL-PLATE	9	PCS	
38000288	SCREW 3 X 11 BMTT NICKEL-PLATE	1	PCS	
38000243	SCREW 2.6 X 8 PT NICKEL-PLATE	5	PCS	
38000229	SCREW 3 X 10 PT NICKEL-PLATE	4	PCS	
38000424	SCREW 2.6 X10 PWITH (Φ 10) NICKEL-PLATE	4	PCS	
38000181	SCREW 2 X 8 BA BLACK	1	PCS	
38000187	SCREW 3 X 8 BA NICKEL-PLATE	2	PCS	
36000042	ROD FIBER PAPER WASHER 3X8X0.5	4	PCS	
36000042	ROD FIBER PAPER WASHER 3X8X0.5	1	PCS	
36000211	INSULATION SHIELD PAD 74.0X81.5X0.5	1	PCS	
36000253	PVC SPACER Φ 7.5 X0.4	4	PCS	
36000113	BLACK SPONGE 10X10X7 45°	2	PCS	
36000117	BLACK SPONGE 10X10X10 40°	2	PCS	
36000131	BLACK SPONGE 15X5X5 40°	1	PCS	
36000206	BLACK SPONGE 20X20X5 K360	1	PCS	
41000962	DOUBLE SIDE TAPE NE-1302 CD KEY PLATE	1	PCS	
33000004	FERRITE CORE JTH16X12X8	3	PCS	
25000935	FLAT FLEXIBLE CABLE 24PX120X0.5XA	1	PCS	3
25000620	28 WIRE 45	1	PCS	7
25000657	28WIRE(6P) 160 2.0/8PX1	1	PCS	9
25001436	28WIRE 290 250 2.0/5PX1 2.0/3PX1 2.5/2PX	1	PCS	10
25002209	22WIRE 230 2.5/4PX1 2.0/5PX1	1	PCS	11

25000543	28WIRE 140 2.0/2PX1	1	PCS	12
25000628	28WIRE 180 2.0/6PX1	1	PCS	13
25000110	22WIRE 230 2.5/2PX1 2.5/2PX1	1	PCS	14
25002210	26WIRE+28WIRE 110 2.0/4PX2	1	PCS	15
25000690	28WIRE 120 2.0/3P 2.0/2P 2.0/10P	1	PCS	16
25000633	28WIRE 210 2.0/6PX2	1	PCS	17
25000626	28 WIRE 160 2.0/6PX1	1	PCS	18
25000334	24 WIRE 240 2.5/3PX1	1	PCS	19
25000890	28WIRE+28WIRE 120 2.5/5P 2.0/5P	1	PCS	20
25000568	28 WIRE 90 2.0/4PX1	1	PCS	22
25000184	26WIRE 50 BLACK	1	PCS	23
25000345	24 WIRE 35 2.0/5PX1 2.5/5PX1	1	PCS	24
25002072	28WIRE 270 2.0/9PX1	1	PCS	25
25000594	28 WIRE 60 2.5/5PX1	1	PCS	26
25002252	28 WIRE 80 2.0/4PX1	1	PCS	27
25002253	26WIRE 110 2.0/2PX2	1	PCS	28
09-NE1302U-02A102	AMP UNIT PARTS ASS'Y NE-1302U VIETA	1	SET	
07-NE1300-01A102	AMP PCB ASS'Y NE-1302U	1	SET	
13000186	CARBON FILM RESISTOR 1K 1/8W J-52	5	PCS	R1, 111, 132, 135, 188
13000191	CARBON FILM RESISTOR 10K 1/8W J	1	PCS	R149
13000193	CARBON FILM RESISTOR 10K 1/8W J-52	3	PCS	R183, 192, 107
13000205	CARBON FILM RESISTOR 10M 1/8W J	1	PCS	R187
13000221	CARBON FILM RESISTOR 120 1/4W J	1	PCS	R180
13000240	CARBON FILM RESISTOR 15 1/2W J	1	PCS	R139
13000253	CARBON FILM RESISTOR 15K 1/8W J	2	PCS	R109, 134
13000301	CARBON FILM RESISTOR 22K 1/8W J	5	PCS	R112, 150, 151, 154, 155
13000303	CARBON FILM RESISTOR 22K 1/8W J-52	4	PCS	R108, 137, 138, 182
13000326	CARBON FILM RESISTOR 270 1/4W J	1	PCS	R120
13000348	CARBON FILM RESISTOR 330 1/8W J-52	2	PCS	R184, 191
13000377	CARBON FILM RESISTOR 0.47 1/2W J	2	PCS	R113, 114
13000380	CARBON FILM RESISTOR 47 1/8W J	1	PCS	R190
13000382	CARBON FILM RESISTOR 47 1/8W J-52	1	PCS	R185
13000399	CARBON FILM RESISTOR 4.7K 1/8W J	2	PCS	R181, 189
13000401	CARBON FILM RESISTOR 4.7K 1/8W J-52	7	PCS	R2, 102, 106, 160, 161, 169, 186
13000404	CARBON FILM RESISTOR 47K 1/8W J	4	PCS	R152, 153, 156, 157

13000406	CARBON FILM RESISTOR 47K 1/8W J-52	6	PCS	R101, 105, 110, 115, 167, 168
13000409	CARBON FILM RESISTOR 470K 1/8W J-52	1	PCS	R4
13000416	CARBON FILM RESISTOR 4.7 1/2W J	2	PCS	R146, 147
13000433	CARBON FILM RESISTOR 5.6K 1/8W J-52	2	PCS	R126, 127
13000453	CARBON FILM RESISTOR 6.8K 1/8W J	1	PCS	R140
14000422	CHIP CERAMIC CAP. 332P 50V K (0805) X7R	2	PCS	C178, 179
14000019	CERMIC CAP. 104P 50V K	1	PCS	CXXX
14000099	CERMIC CAP. 680P 50V K-5	2	PCS	C188, 193
14000450	NONINDUCTIVE CAP. 104J 100V K	1	PCS	C128
14000452	NONINDUCTIVE CAP. 104J 100V K-5	7	PCS	C116, 120, 125, 129, 131, 145, 157
14000132	MYLAR CAP. 183J 100V K-5	1	PCS	C166
14000142	MYLAR CAP. 272P 100V J-5	2	PCS	C114, 118
14000516	ELECTROLYTIC CAP. 10u 25V L L10 5X11	5	PCS	C112, 126, 119, 121, 123
14000181	ELECTROLYTIC CAP. 10u 25V L-5 5X11	3	PCS	C111, 124, 132
14000210	ELECTROLYTIC CAP. 100u 35V L 6.3X11	1	PCS	C115
14000219	ELECTROLYTIC CAP. 100u 63V L 8X16	1	PCS	C163
14000232	ELECTROLYTIC CAP. 2.2u 50V L 5X11	7	PCS	C134-138, 141, CXXX
14000234	ELECTROLYTIC CAP. 2.2u 50V L-5 5X11	4	PCS	C109, 139, 140, 167
14000236	ELECTROLYTIC CAP. 22u 16V L 5X11	1	PCS	C105
14000816	ELECTROLYTIC CAP. 220u 50V M 5X11	1	PCS	C130
14000256	ELECTROLYTIC CAP. 220u 16V L-5 6.3X11	2	PCS	C187, 194
14000274	ELECTROLYTIC CAP. 2200u 35V L 16X25	2	PCS	C101, 102
14000300	ELECTROLYTIC CAP. 0.47u 50V L-5 5X11	1	PCS	C190
14000319	ELECTROLYTIC CAP. 47u 16V L 5X11	3	PCS	C107, 122, 191
14000321	ELECTROLYTIC CAP. 47u 16V L-5 5X11	2	PCS	C103, 171
16000016	DIODE4148	1	PCS	D105
16000102	RECTIFIER DIODE 4001	3	PCS	D103, 106, 107
16000062	ZENER DIODE 3.9V 1/2W-52	1	PCS	ZD107
17000013	TRANSISTOR 2SB772A	1	PCS	Q101
17000025	TRANSISTOR 8050C-5	5	PCS	Q102-106
17000030	TRANSISTOR 8550C-5	1	PCS	Q107
17000034	TRANSISTOR 9014C-5	1	PCS	Q1
18000007	THYRISTOR RS406 (4A)	1	PCS	D101
19000052	IC NE008	1	PCS	U101
19000311	IC SA7264	1	PCS	U105

19000079	I. C. PT2314 PRINCETON	1	PCS	U104
19000112	IC 7812	1	PCS	U103
25000009	PINS CONNECTOR 2.0/2P	1	PCS	CN103
25000012	PINS CONNECTOR 2.5/2P	1	PCS	CN108
25000020	PIN SOCKET 3.95/3P	1	PCS	CN106
25000025	PINS CONNECTOR 2.0/4P	1	PCS	CN109
25000034	PINS CONNECTOR 2.0/5	1	PCS	CN105
25000051	PINS CONNECTOR 2.5/8P	1	PCS	CN111
25000075	PIN CONNECTOR 30P BENDING L=8.8	1	PCS	CN113
24000052	SPEAKER TERMINAL 4P WP4-3	1	PCS	J104
24000080	RCA SOCKET 4P AV4-8.4-7	1	PCS	J103
26000002	△FUSE F2AL250V	1	PCS	F103
26000007	△FUSE F4AL250V	2	PCS	F101, 102
12000048	CHOCK COIL JKB7525-01	2	PCS	L104, 105
35-NE1300-01A1	AMP PCB 123.5X81.5 TC13756 1300B-1	1	PCS	
26000051	△FUSE HOLDER (PLASTIC)	3	PCS	
37-NE1300-08A100	HEAT SINK 1300 71X40XH:42	1	PCS	
36000358	MICA INSULATION SHEET 23X20	1	PCS	
34000026	MINI FAN RDM4010S DC12V/0.07A	1	PCS	
38000305	SPRING WASHER SIZE Φ3 NICKEL-PLATE	1	PCS	IC7264X1
38000217	SCREW 3 X 10 BTH NICKEL-PLATE	1	PCS	IC7264X1
38000227	SCREW 3 X 8 BT NICKEL-PLATE	1	PCS	IC7812
38000253	SCREW 3 X 18 PTH NICKEL-PLATE	2	PCS	
07-NE1300-06A106	AMP PUSH KEY PCB ASS'Y NE-1302U	1	SET	
13000163	CARBON FILM RESISTOR 10 1/8W J	4	PCS	R305-308
13000178	CARBON FILM RESISTOR 100 1/8W J-52	1	PCS	R302
13000191	CARBON FILM RESISTOR 10K 1/8W J	2	PCS	R301, 304
13000249	CARBON FILM RESISTOR 1.5K 1/8W J	1	PCS	R313
13000267	CARBON FILM RESISTOR 1.8K 1/8W J-52	2	PCS	R309, 310
13000399	CARBON FILM RESISTOR 4.7K 1/8W J	1	PCS	R312
13000479	CARBON FILM RESISTOR 82K 1/8W J-52	2	PCS	R303, 311
14000019	CERMIC CAP. 104P 50V K	3	PCS	C302, 304, 307
14000252	ELECTROLYTIC CAP. 220u 16V L 6.3X11	1	PCS	C301
14000545	ELECTROLYTIC CAP. 3.3u 50V L L10 5X11	2	PCS	C303, 310
14000319	ELECTROLYTIC CAP. 47u 16V L 5X11	2	PCS	C308, 309

14000348	ELECTROLYTIC CAP. 470u 10V L 6.3X11	2	PCS	C305, 306
19000050	IC TDA2822M/D2822	1	PCS	IC301
23000032	LIGHT TOUCH SWITCH TC103 6X6X5 170G	3	PCS	SW301-303
25000025	PINS CONNECTOR 2.0/4P	1	PCS	CN1001
24000036	HEADPHONE SOCKET Φ 3.5 J3506B SILVER	1	PCS	J1001
35-NE1300-06A2	HEADPHONE PCB 1302B-10 TC13758	1	PCS	
35-NE1300-06A1	AMP KEY PCB1302 1302B-3 TC13758	1	PCS	
30000001	CODER ED-1612-00-F15 40-80G	1	PCS	
07-NE1300-01A702	WOOFER PCB ASS'Y NE-1302U	1	SET	
24000064	SINGLE RCA SOCKET AV-8.4-08A BLACK	1	PCS	CN1201
25000009	PINS CONNECTOR 2.0/2P	1	PCS	CN1202
35-NE1300-01A2	VIDEO OUTPUT PCB 20X16 1300B-11 TC13756	1	PCS	
08-NE1302U-03A102	AMP CASING PARTS ASS'Y VIETA VMD55USB	1	SET	
11000011	Δ TRANSFORMER 230V/50-368AD-CE	1	PCS	
26000028	Δ AC LINE CORD 1.95m VDE	1	PCS	
39000240	Δ AC LINE CORD CLIP SHEET	1	PCS	
33000012	FERRITE CORE JTH29X19X15	1	PCS	
36000044	ROD FIBER PAPER WASHER 3X8X1	1	PCS	
36000042	ROD FIBER PAPER WASHER 3X8X0.5	1	PCS	
39-NE1302-01A111	NE-1302AMP DISPLAY LENS AIETA VMD 55USB	1	PCS	
39-NE1400-02A100	1400 PCB ROD CORD H=7	1	PCS	
37-NE1302-01A100	1302 AMP ALUMINIUM PATCH	1	PCS	
37-NE1300-05A102	1300 AMP ADOM SHEET	1	PCS	
37-NE1300-07A101	AMP CABINET BOTTOM 1300B	1	PCS	
39-NE1302-06A101	NE1302 AMP UNIT BINET FRONT S0038	1	PCS	
39-NE1300-19A101	1300 AMP BACK CABINET S0038	1	PCS	
39-NE1300-17A101	1300 AMP CABINET TOP COVER SILVER S0038	1	PCS	
39-NE1300-13A101	NE1300 SIDE PLATE(L)HIPS	1	PCS	
39-NE1300-14A101	NE1300 SIDE PLATE(R) HIPS	1	PCS	
37-NE1300-06A100	1300 ALUMINUM VOLUME KNOB	1	PCS	
39-NE1300-18A100	1300 VOLUME KNOB	1	PCS	
36000363	WIRE TIC 70	2	PCS	
36000220	NE-1300 RUBBER FOOT ZJ28 Φ 8X Φ 5X11	4	PCS	
39-NE1300-16A100	NE1300 FOOT ZR3266A	4	PCS	
39-NE1302-08A101	1302 EQ KNOB	1	PCS	

39-NE1302-07A101	1302 AMP UNIT KEY KNOB SILVER	1	PCS	
36000155	BLACK SPONGE 20X10X7 75°	2	PCS	
36000191	BLACK SPONGE Φ34X3 75° #132	1	PCS	
25000571	28 WIRE 210 2.0/4PX1	1	PCS	8
25000168	24WIRE 75	1	PCS	4
25000171	24WIRE 120	1	PCS	4
25000563	28 WIRE 50 4P 2.0/4pX1	1	PCS	6
25002069	28WIRE 250 2.0/5PX1	1	PCS	5
37000609	MIC PCB METAL PLATE 11X7X1 Φ3 HOLD	2	PCS	
38000105	SCREW 2.6 X 10 PA NICKEL-PLATE	2	PCS	
38000290	SCREW 3 X 12 BMTT NICKEL-PLATE	1	PCS	
38000056	SCREW 3 X 6 BM NICKEL-PLATE	1	PCS	
38000217	SCREW 3 X 10 BTH NICKEL-PLATE	5	PCS	
38000227	SCREW 3 X 8 BT NICKEL-PLATE	2	PCS	
38000231	SCREW 3 X 12 BT NICKEL-PLATE	1	PCS	
38000187	SCREW 3 X 8 BA NICKEL-PLATE	4	PCS	
38000068	SCREW 3 X 5 FMTT NICKEL-PLATE	4	PCS	
38000279	SCREW 3 X 6 BMTT NICKEL-PLATE	7	PCS	
42000339	SCREW 3 X 6 BMTT NICKEL-PLATE	1	PCS	
42000340	SCREW 3 X 6 BMTT NICKEL-PLATE	1	PCS	
09-WD11-01A103	SPEAKER BOX ASS'Y WD-11 VIETA VMD55USB	2	SET	
14000466	ELECTROLYTIC CAP. 2.2u 50V M 8X16	1	PCS	
24000158	SPEAKER TERMINAL DJ-1320-1 44X44 RED/BL.	1	PCS	
25000949	22WIRE 2P 150 RED BLACK	1	PCS	
25000955	22WIRE 2P 240 RED BLACK	1	PCS	
28000173	SPEAKER 2"8Ω 3W φ 40	1	PCS	
28000169	SPEAKER 4"8Ω 30W φ 80	1	PCS	
36000216	RUBBER FOOT MCD700 Φ12X8X7BLACK	4	PCS	
36000303	GRILLE FIXER (GREY) WK02 WK02 Φ11X8	4	PCS	
37001016	SPEAKER SCUTCHEON VIETA#20X5	1	PCS	
37-NE1302-03A101	1302 GRILLE FIX POS Φ4.3X12 CHROMEPLATE	4	PCS	
38000110	SCREW 3 X 10 PA BLACK	4	PCS	
38000118	SCREW 3 X 16 PA Φ5 BLACK	4	PCS	
38000144	SCREW 3 X 12 FA Φ6.5 BLACK F-6	6	PCS	
39-WD11-01A102	WD-11 SPEAKER CABINET FRONT	1	PCS	

39-WD11-02A102	WD-11 SPEAKER GRILLE	1	PCS	
39-WD1-01A100	WD-1 PORT TUBE Φ 38X105 BLACK	1	PCS	
40000303	WOODEN BOX WD-11 127X203X172.8 L-133-6	1	PCS	
41000722	SPEAKER LABEL WD-11/3/9 28X16	1	PCS	
41000147	PE POLYBAG 45.7X37cm	1	PCS	
41002583	PE POLYBAG 30X20cm	1	PCS	
08-WD11-01A101	FREQUENCY DIVIDER ASS'Y	1	SET	
15000003	FIXED INDUCTOR 0.5MH LGB1016	1	PCS	
13000260	CARBON FILM RESISTOR 1.5 2W J	1	PCS	
14000817	ELECTROLYTIC CAP. 10u 50V L SNP 5X11	1	PCS	
25000121	22WIRE 120 RED	1	PCS	
36000360	WIRE TIC 50	1	PCS	
09-RE4-01A127	REMOTE CONTROL HANDSET ASS'Y RE-4 VIETA	1	SET	
20000011	PLASTIC COATING FILTER 455KHZ	1	PCS	XA01
13000209	CARBON FILM RESISTOR 1 1/8W J	1	PCS	RA01
14000050	CERMIC CAP. 220p 50V K	2	PCS	CA01, CA02
14000315	ELECTROLYTIC CAP. 47u 10V L 4X7	1	PCS	CA03
16000046	INFRARED-EMITTING DIODE Φ 5	1	PCS	DA01
17000022	TRANSISTOR 8050C	1	PCS	QA01
19000130	IC PT2222-001	1	PCS	UA01
35-RE4-01A1	REMOTE CONTROL PCB RE-4 TS9111A/TC15275	1	PCS	
39-RE4-05A101	REMOTE CABINET FRONT RE-4	1	PCS	
39-RE4-06A101	REMOTE CABINET BACK RE-4	1	PCS	
39-RE4-07A101	REMOTE BATTERY COVER RE-4	1	PCS	
39-RE4-01A100	REMOTE CONTROL LENS RE-4 GX-88044	1	PCS	
39-RE4-02A101	RE-4 PUSH KNOB SILVER	2	PCS	
39-RE4-03A102	RE-4 PUSH KNOB SILVER	43	PCS	
39-RE4-04A101	RE-4 PUSH KNOB SILVER	4	PCS	
41000185	PE POLYBAG 26X9cm	1	PCS	
36000066	CONDUCTIVE RUBBER RE-4 YK118	1	PCS	
37-RE4-03A114	RE-4 REMOTE FRONT PANEL (DURALUMIN) VIETA	1	PCS	
37-RE4-01A100	REMOTE SPRING WIRE "+"	1	PCS	
37-RE4-02A100	REMOTE SPRING WIRE "-"	1	PCS	
37-RE4-04A100	REMOTE SPRING PLATE "+, -" RE-4	1	PCS	
38000100	SCREW 2 X 8 PA BLACK	2	PCS	

38000237	SCREW 2 X 4 PT BLACK	1	PCS	
42000139	SCREW 2 X 4 PT BLACK	1	PCS	
09-NE1302U-03A102	PACKING PARTS ASS'Y VIETA VMD55USB	1	SET	
41000131	POLYFOAM1321D/V/20MC WD-9/1302MDAB WD-11	1	PCS	
41000132	POLYFOAM PLATE 1302MC 165X165X55	1	PCS	
41000180	PE POLYBAG 21X9cm	1	PCS	
41000185	PE POLYBAG 26X9cm	1	PCS	
41002580	PE POLYBAG 27X10cm	1	PCS	
41000206	PE POLYBAG 36X28cm	2	PCS	
41002583	PE POLYBAG 30X20cm	1	PCS	
37000648	WIRE DRESS 10cm BLACK	1	PCS	
41003796	GIFT BOX VIETA VMD55USB	1	PCS	
41003794	CARTON BOX VIETA VMD55USB	1	PCS	
41000040	PVC BACK SHEET 1302D2 41.5X22.7	1	PCS	
41004101	DVD UNIT MAIN LABEL VIETA VMD55USB 45X23	1	PCS	
41004117	AMP UNIT MAIN LABEL VIETA VMD55USB 45X23	1	PCS	
41003703	BAR CODE LABEL VIETA VMD55USB 46X32	1	PCS	
41000517	LABEL CLASS1 #11 32X15	1	PCS	
41000576	LASER WARNING LABEL38X19 ENGLISH	1	PCS	
41003342	LABEL NE1301C 75X23	1	PCS	
41003999	SERIAL NO. VIETA VMD55USB 22X5	4	PCS	
41000508	ROUND LABEL Φ42	1	PCS	
41000440	CD PICK-UP PROTECTION FITTING PAPER #6	1	PCS	
41002072	QC PASS LABEL	1	PCS	
09-NE1302U-04A101	ACCESSORY PARTS ASS'Y NE-1302U VIETA	1	SET	
34000004	AAA ALKALINE BATTERY AAA CARBON BATTERY	2	PCS	
25001753	26WIRE 1.5m Fm ANT. WIRE	1	PCS	2
25000713	28WIRE 300 2.5/30PX2	1	PCS	21
41003792	I.M VIETA VMD55USB ENGLISH/SPAISH	1	PCS	
27000010	SPEAKER WIRE 11PCS 2m	2	PCS	
27000047	VIDEO CONNECTION CABLE W/21PINS L=1.5M	1	PCS	
08-NE1300-03A102	ANTENNA HOLDER ASS'Y AM	1	SET	
25000232	26WIRE 5.5m BLACK	1	PCS	
36000453	TIE WIRES PH 100	1	PCS	
39-NE1300-01A100	1300 ANTENNA HOLDER BLACK	1	PCS	

41002588	PE POLYBAG 19X17cm	1	PCS	
09-NE1300-01A101	PLEXIG. BKT ASS'Y NE-1300B 192X201X6	1	SET	
36000350	PERSPEX 192X201X6 NE-1300	1	PCS	
36000221	RUBBER PAD Φ 26.4X4 CT-642	4	PCS	
39-NE820-02A101	NE820 PORT TUBE SILVER	4	PCS	
37000315	METAL WASHER Φ 27.6X0.8	4	PCS	
39-NE820-03A101	NE820 COVER SILVER	4	PCS	
38000045	SCREW 6.2 X 20 FM NICKEL-PLATE	4	PCS	
41000201	PE POLYBAG 30X29cm	1	PCS	