

V1A
1/2 UCC85
FM RF

V1B
1/2 UCC85
FM OSC. CONV.

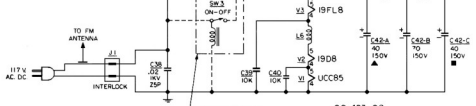
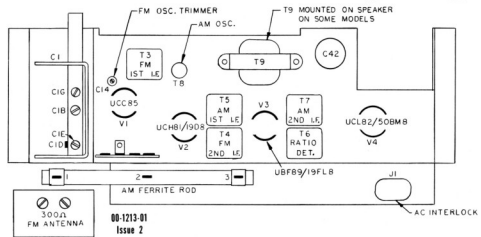
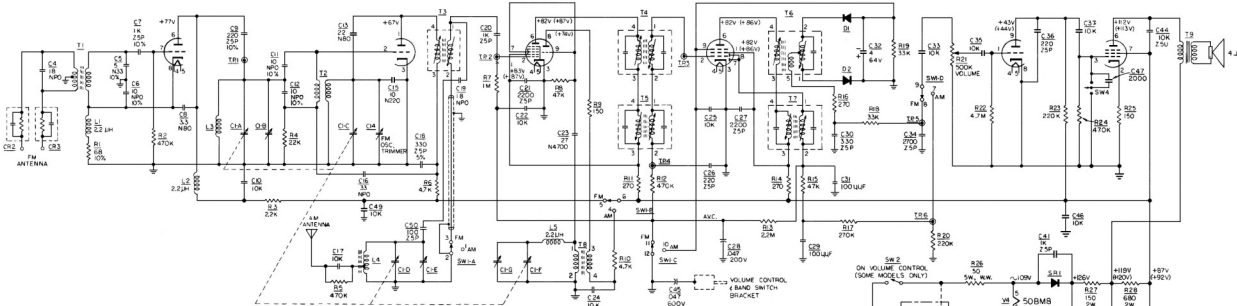
V2
UCH81, 19DB
FM 1ST IF
AM OSC. & CONV.

V3
UBF89, 19FLB
FM 2ND IF
AM IF, AM DET.

V4
D12 (MP1N541)

V4A
1/2 UCL82, 50BMB
VOLTAGE AMPLIFIER

V4B
1/2 UCL82, 50BMB
POWER AMPLIFIER



VIKING RM-724



00-1213-01
Issue 2

