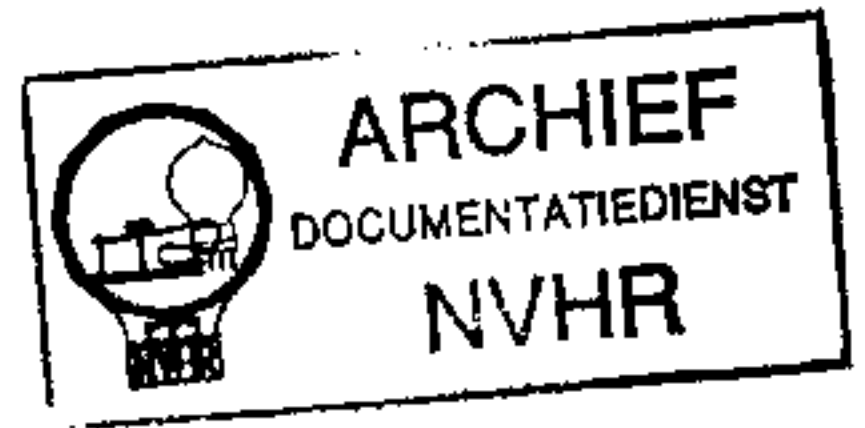


SET RV4 & RV5 to give 2.2volts across R28 and R27 respectively. This will give a bias current of approximately 47mA

Ned. Ver. v. Historie v/d Radio

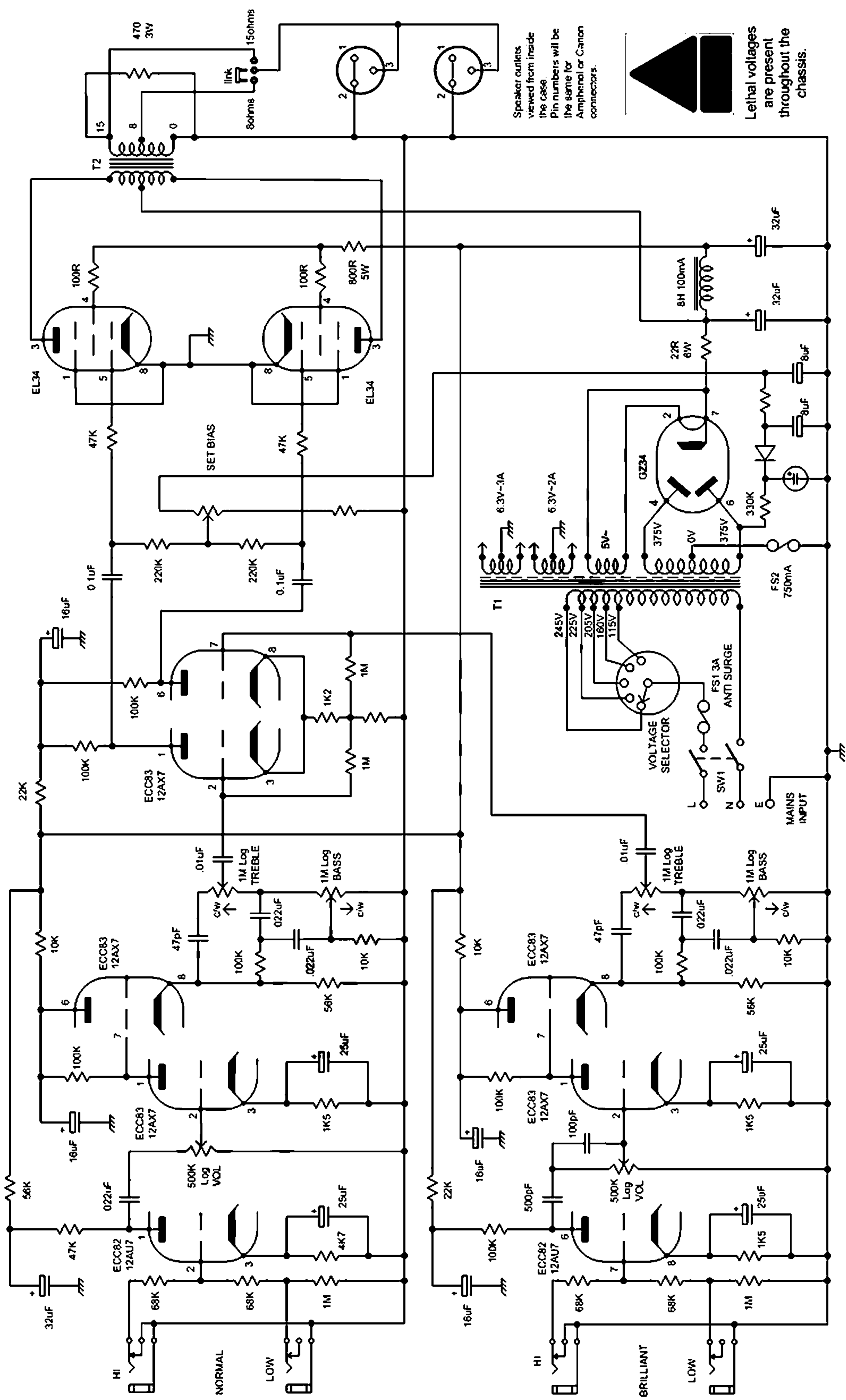


Speaker outlets viewed from inside the case. Pin numbers will be the same for Amphenol or Canon connectors.

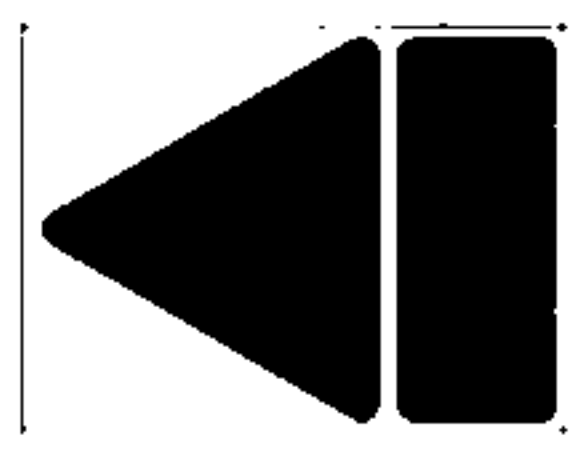
Components as found during rebuild. Circuit layout based on JMI drawing No. OS/072. The original JMI component references have been used, although there appear to be two x R36 (now R36 & R36a). *NOTE - Pots were all logarithmic when found, although they have been changed at some time. Note reverse wiring on the bass pots.

VOX AC50 Chassis Number 1449 Cabinet Number 04736
 Manufactured in England by Jennings Musical Industries Ltd

Drawn by Chris Devine
<http://backfromthesixties.co.uk>
 AC50/1449/1
 Issue 3
 15th May 09



Speaker outlets viewed from inside the case
Pin numbers will be the same for Amphenol or Cannon connectors.

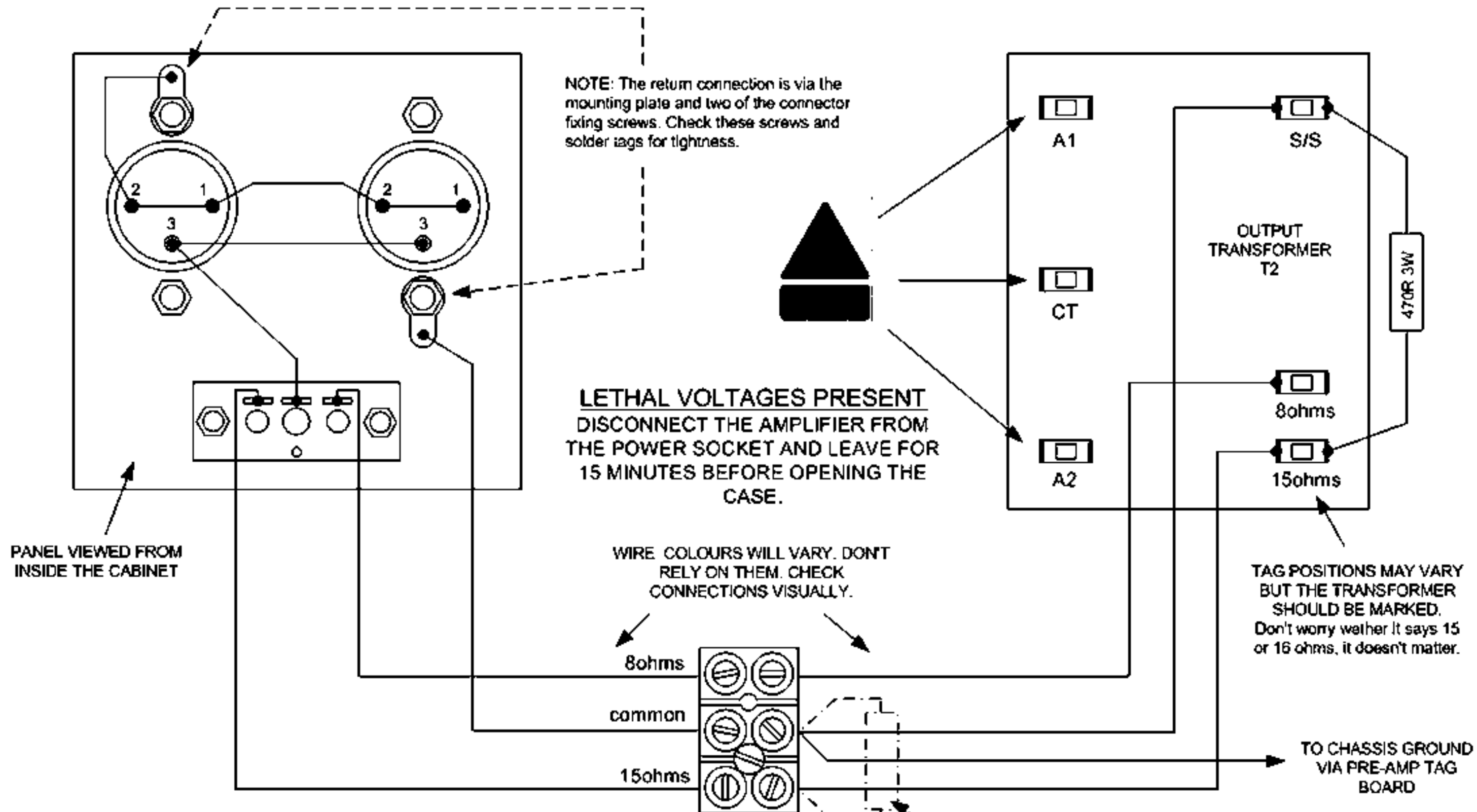


Lethal voltages are present throughout the chassis.

VOX AC50/2
Based on JMI drawing No. OS/053.
Manufactured in England by Jennings Musical Industries Ltd

Drawn by Chris Devine
<http://backfromthesixties.co.uk>
AC50/GZ34/1

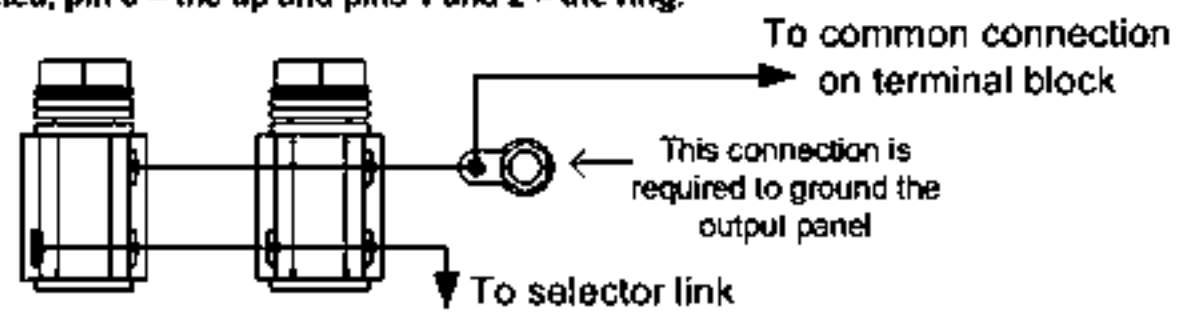
Issue a
19th Sep 10



PANEL VIEWED FROM INSIDE THE CABINET

SPEAKER PANEL WIRING.

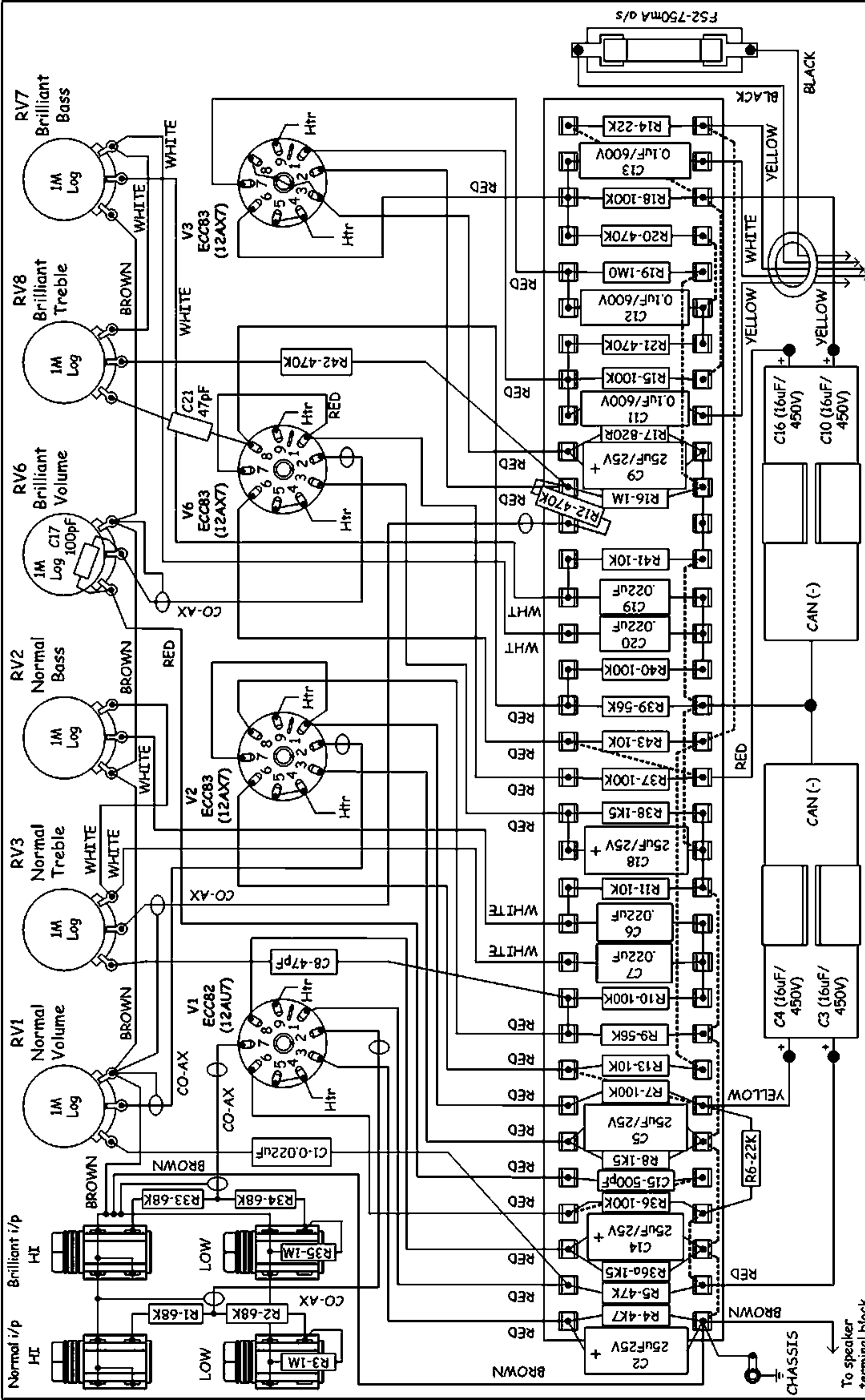
Pin numbers are identical for Amphenol and Canon XLR connectors. If jack sockets are fitted, pin 3 = the tip and pins 1 and 2 = the ring.



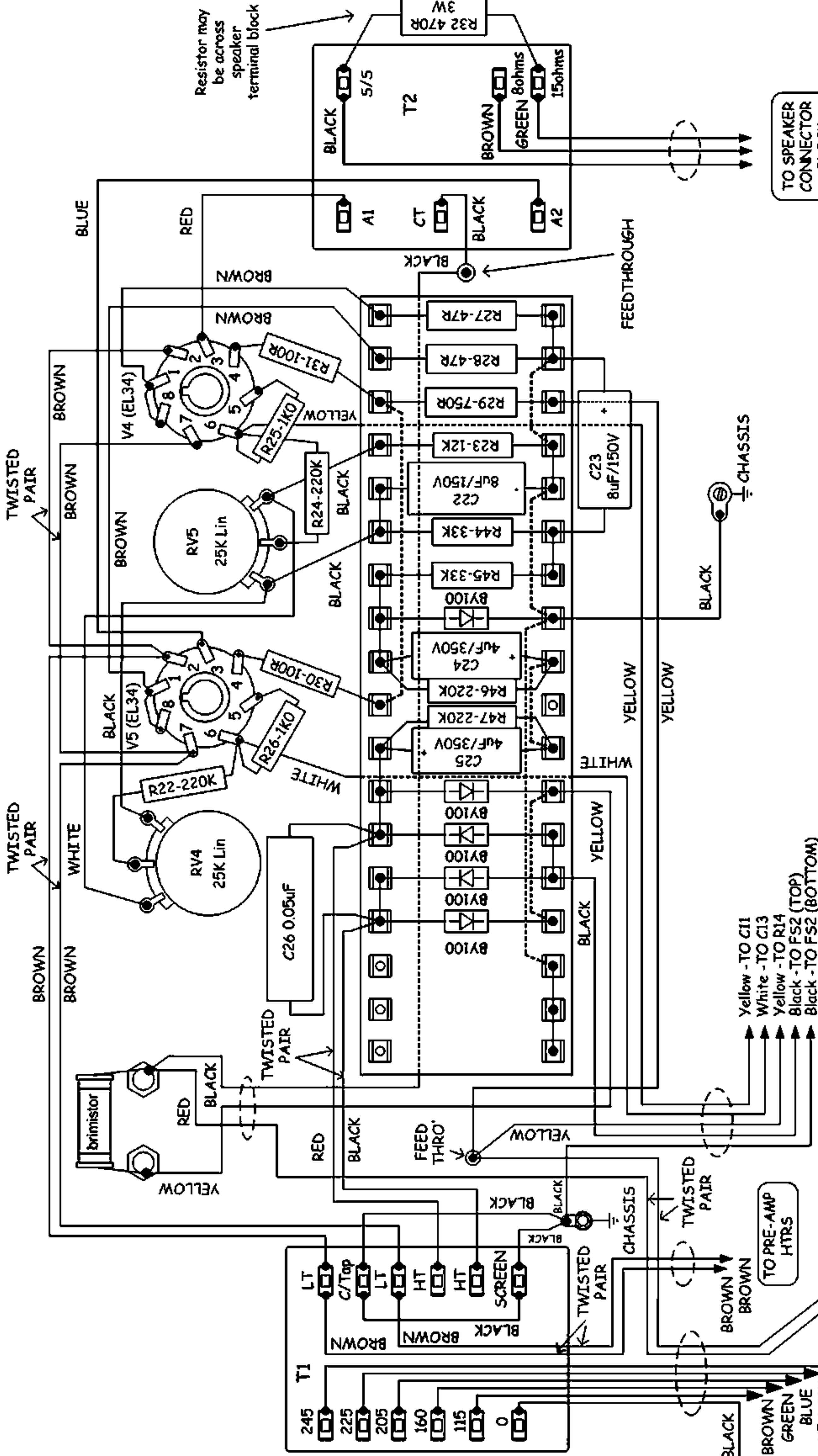
VOX AC50 Chassis Number 1449 Cabinet Number 04736
Manufactured in England by Jennings Musical Industries Ltd

Drawn by Chris Devine
<http://backfromthesixties.co.uk>

AC50/1449/4 Issue 3 15th May 09



VOX AC50 Chassis Number 1449 Cabinet Number 04736
 Drawn by Chris Devine <http://backfromthesixties.co.uk>
 Issue 4
 31st May 10
 AC50/1449/2
 Manufactured in England by Jennings Musical Industries Ltd
Pre-amp Section Mechanical Layout.
 Lines shown dotted are behind the tag board or other components.



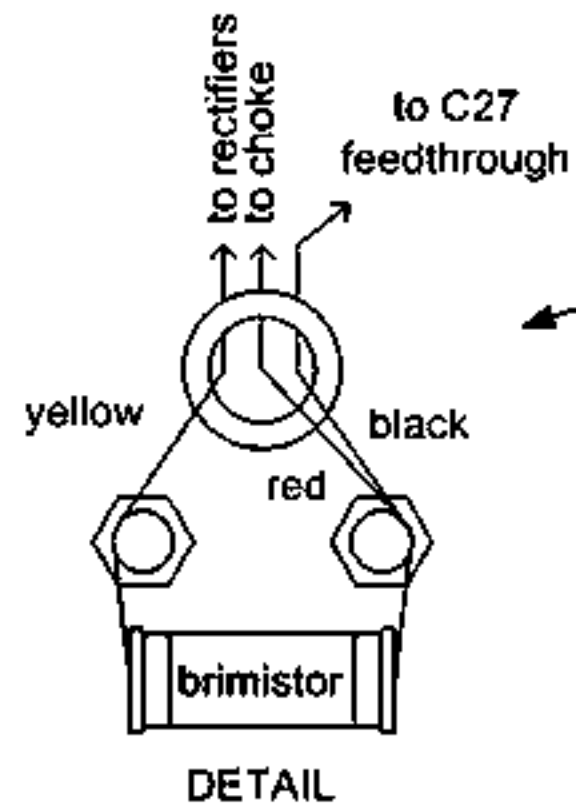
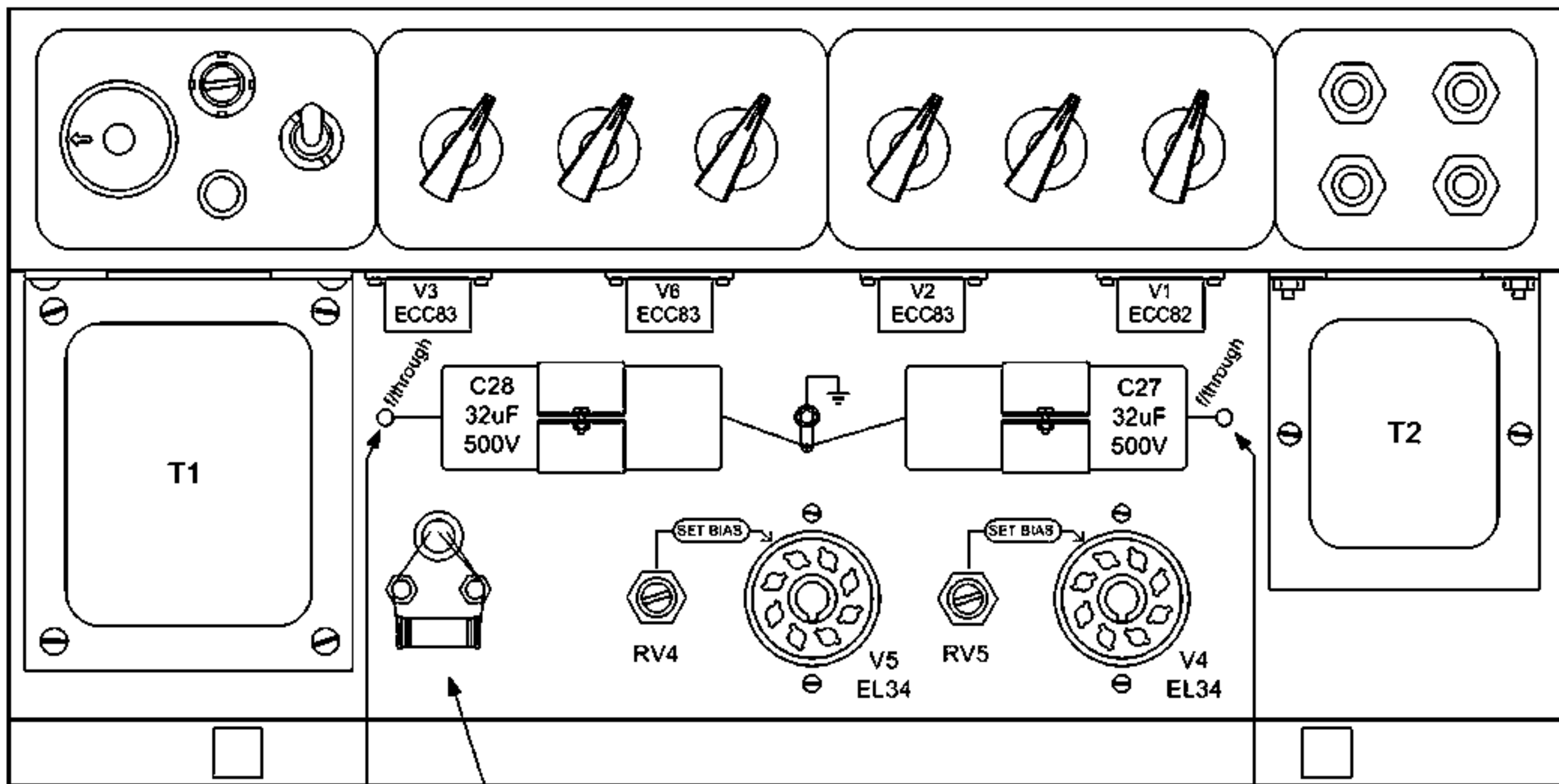
Mechanical Layout Of Under-Chassis Power Section.

Lines shown dotted are behind the tag board or other components.

Drawn by Chris Devine
<http://backfromthesixties.co.uk>

VOX AC50
 Chassis Number 1449
 Cabinet Number 04736
 Manufactured in England by Jennings Musical Industries Ltd

Issue 4a
 18th May 2010
AC50/1449/3



VOX AC50 Chassis Layout (Top)

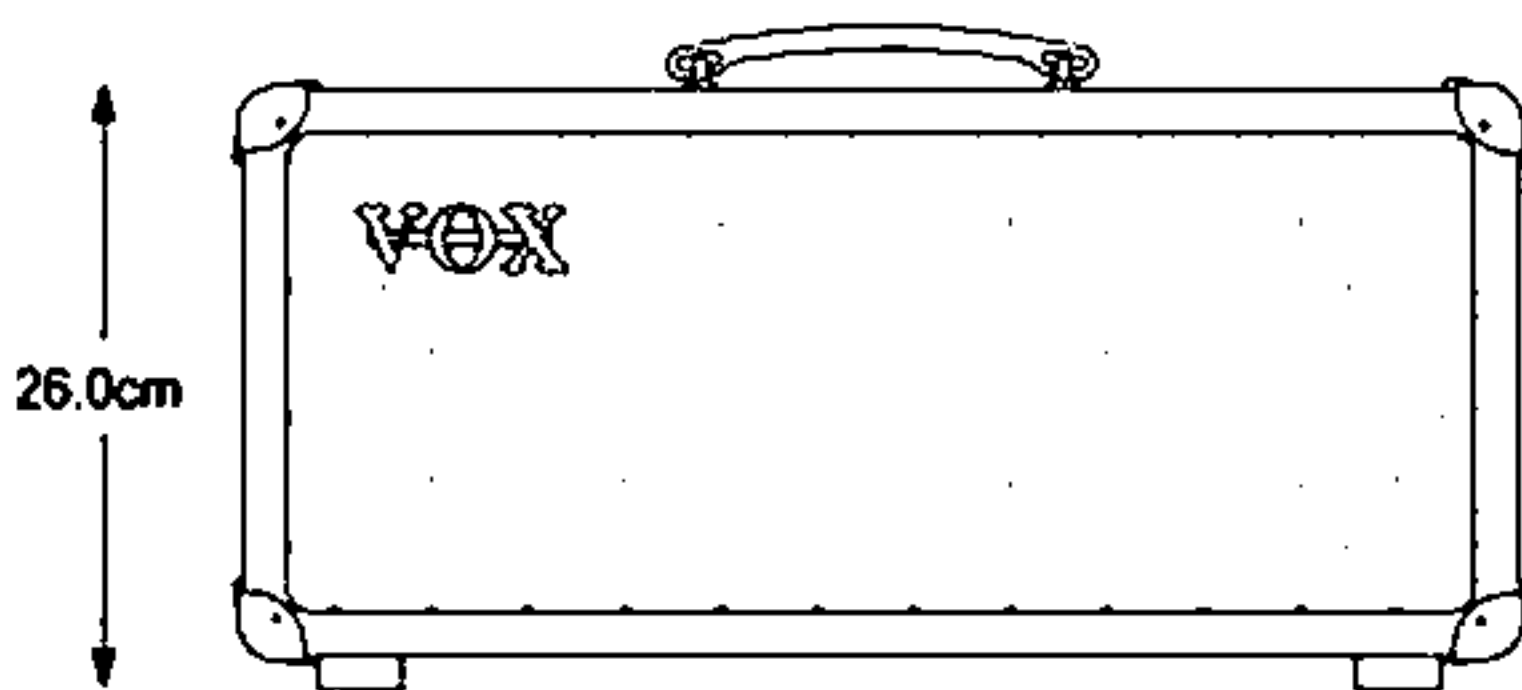
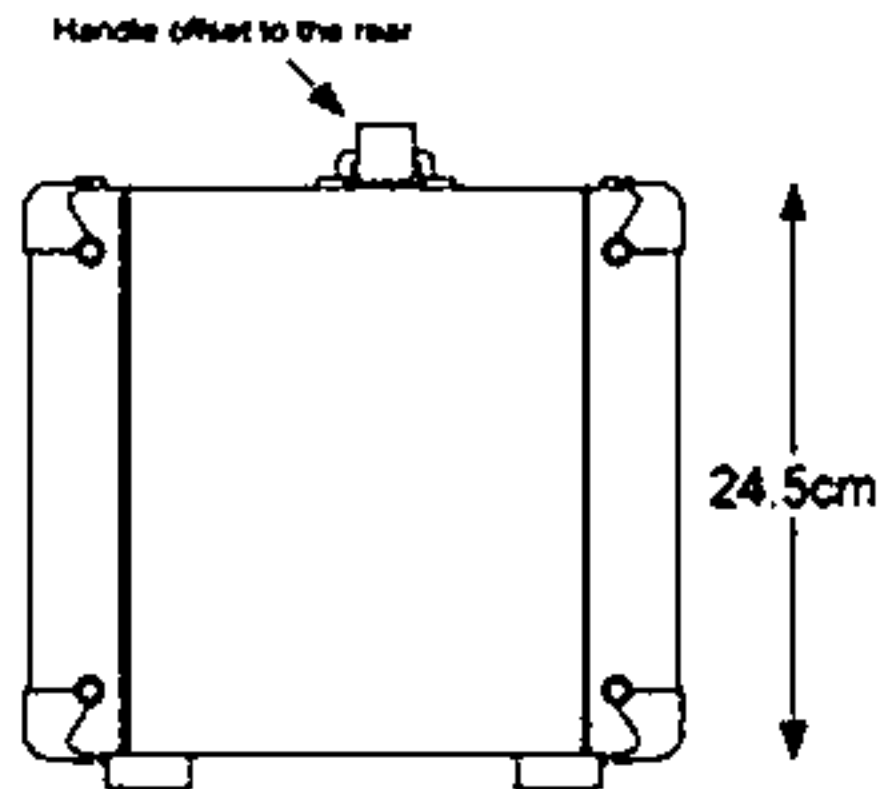
Based on Chassis Number 1449, Cabinet Number 04736

Manufactured in England by Jennings Musical Industries Ltd

Drawn by Chris Devine
<http://backfromthesixties.co.uk>

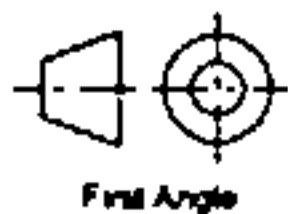
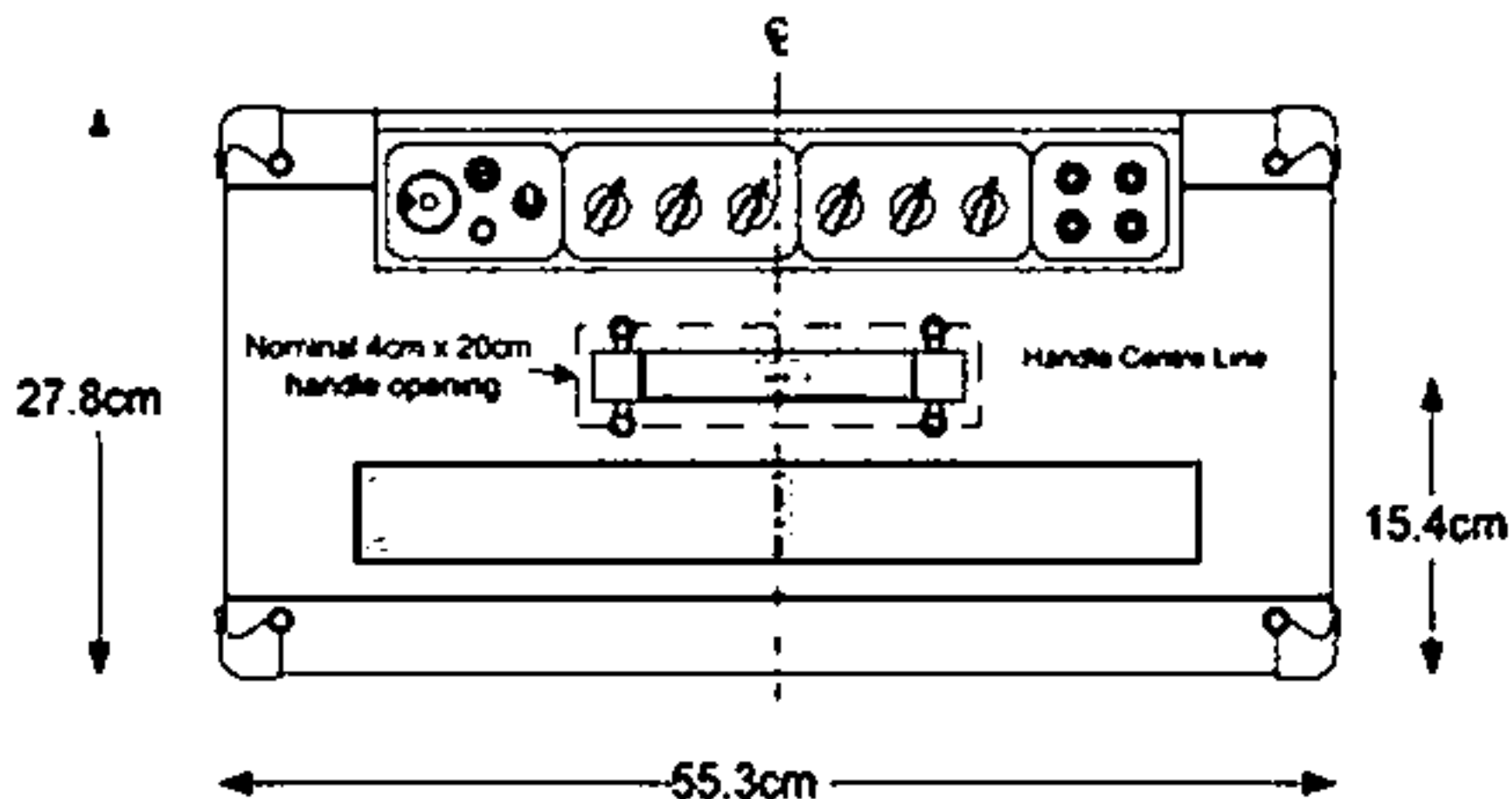
AC50/1449/5

Issue 3
 15th May 09



**VOX AC50 (JMI Big Box 1965) Head
Dimensions For Cover.**

Dimensions are taken over the plastic
corner protectors, not the cabinet.



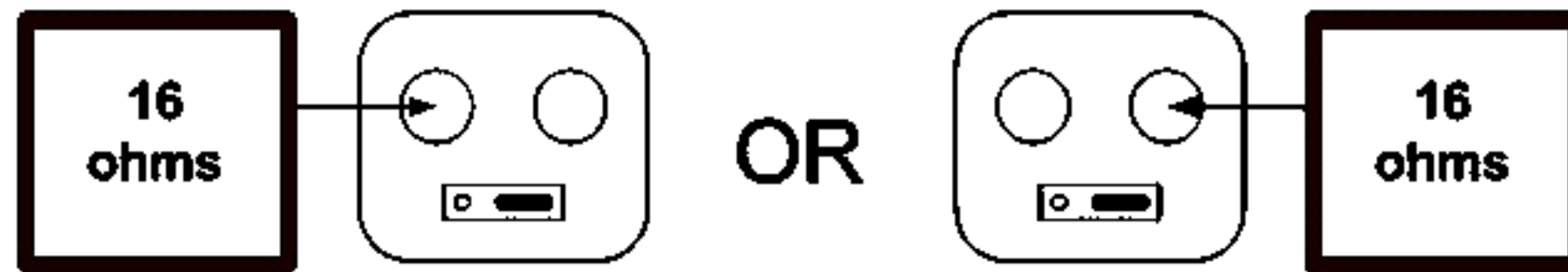
VOX AC50 Chassis Number 1449
Cabinet Number 04736
Manufactured in England by Jennings Musical Industries Ltd

Drawn by Chris Devine
<http://backfromthesixties.co.uk>

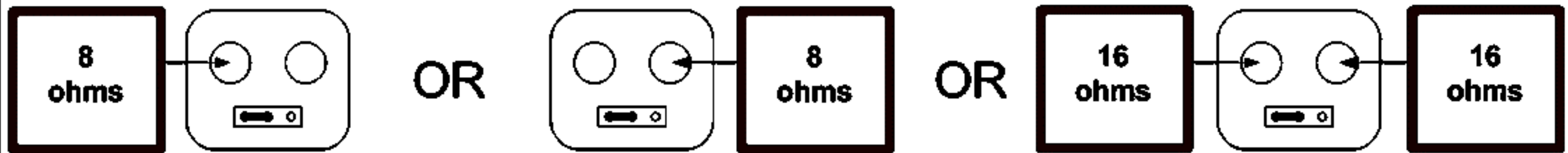
AC50/1449/5

Issue 3
15th May 09

SET LINK TO 16 OHMS

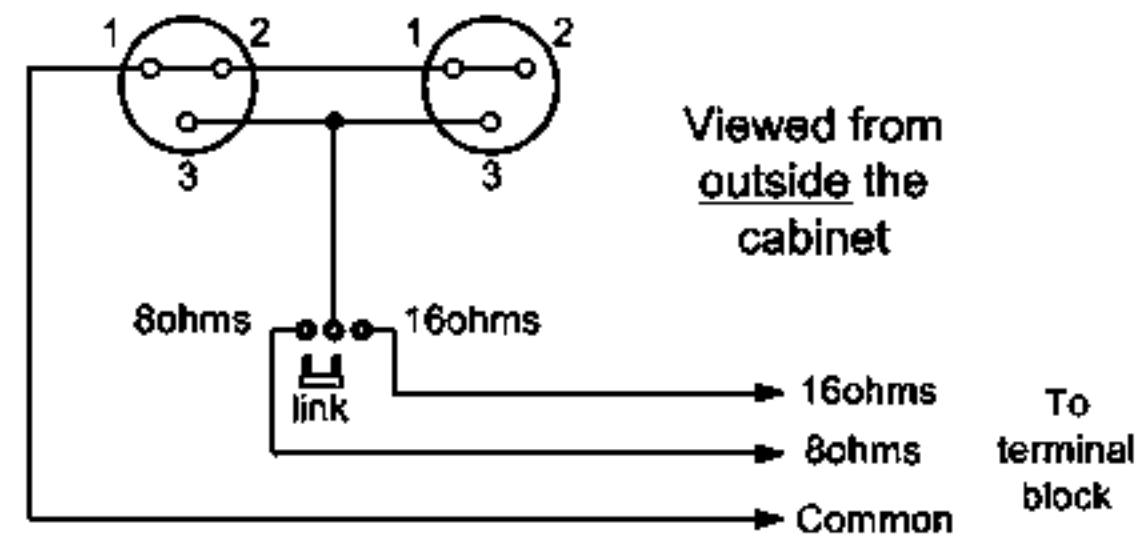
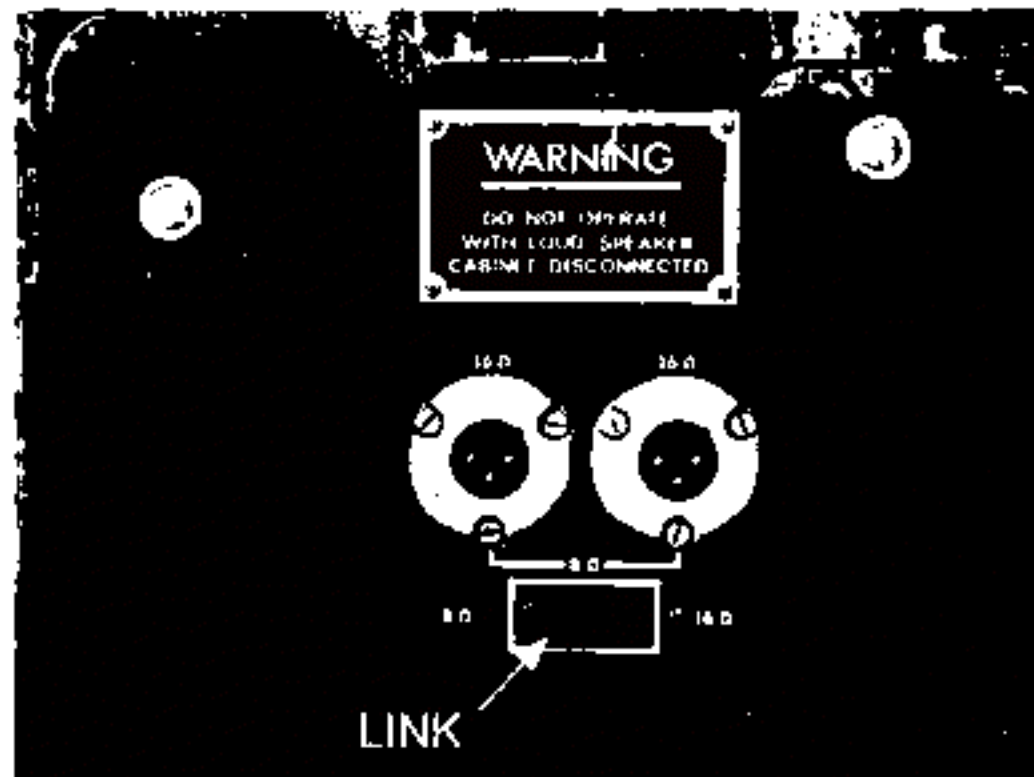


SET LINK TO 8 OHMS



Vox AC50 Speaker Cabinet Combinations

- *Connectors are wired in parallel behind the panel.
- *Cabinets can be 15 ohms instead of 16 ohms or 7.5 instead of 8.



VOX AC50 Chassis Number 1449
Cabinet Number 04736

Manufactured in England by Jennings Musical Industries Ltd

Drawn by Chris Devine
<http://backfromthesixties.co.uk>

AC50/1449/7

Issue 3
15th May 09