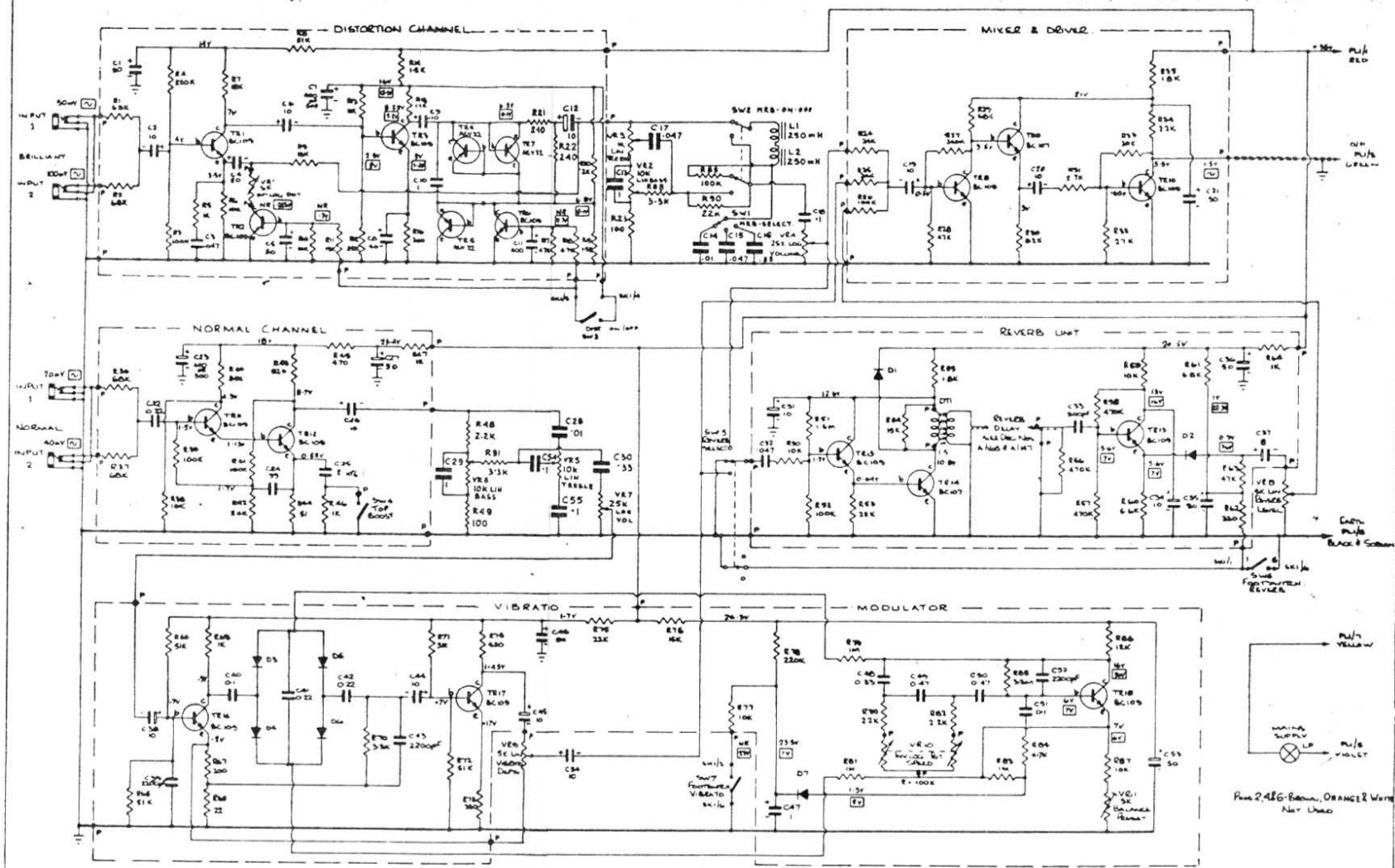


REV	DATE	BY
1	12-8-65	
2	2-7-69	
3	4-8-69	
4	4-12-69	

NOTES:
 HIGHEST R.M.: 91
 HIGHEST C.M.: 55
 COMMENCING WITH R88 AND C54 RESISTORS & CAPACITORS ARE NOT GROUPED TOGETHER.

Vox MkIII Preamp for
 Conqueror
 Defiant
 Supreme

DO NOT SCALE IF IN DOUBT ASK THIRD ANGLE PROJECTION



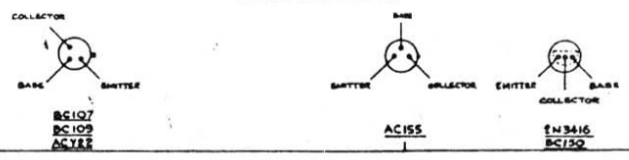
NR = DISTORTION REVERB VIBRATO ON
 OTHER VOLTAGE READINGS = NO SIGNAL CONDITIONS
 NR = NOT READABLE
 (V) = SIGNAL VOLTAGE FOR FULL OUTPUT OF AMPLIFIERS ALL CONTROLS @ MAX HEB & T/S OF TEST FREQUENCY 1Kc/s
 ALL DC READINGS TAKEN ON AVQ 8
 VARIATIONS IN VOLTAGE READINGS DUE TO TRANSISTOR SPREAD WILL BE FOUND
 ALL VOLTAGE READINGS WITH RESPECT TO EARTH

ALL DIODE TYPES HB100 OR 6AS6 OR 6AL5
 P DENOTES PIN CONNECTIONS ON IPC BOARD

FOR VIBRATO POWER STAGE SEE DES. NO. 05/132
 - COMPONENTS 05/133
 - DEFLECTOR 05/134
 - SUPPLIERS 05/135

Used with 3-way P/B.

TRANSISTOR TYPES AND ALTERNATIVES
 BC107, BC108, BC109 OR 2N3638
 BC109, BC108, BC107 OR BC107
 AC158 OR AC155



Pin 2, 4 & 6 - Brown, Orange & Yellow
 Not Used

DATE	INSTR	THE DRAWING, SPECIFICATION, DEVELOPMENT BELONGS TO VOX GROUP LTD AND IS ISSUED ON CONDITION THAT IT IS NOT COPIED, REPRODUCED OR INCORPORATED IN ANY MANNER WITHOUT THE CONSENT IN WRITING OF VOX GROUP LTD.	
APPROVED	PART	SCALE	
	NO.	TOL.	1/8" OR 1/16" UNLESS OTHERWISE STATED
TITLE :-		Dwg. No.	
VOX SOUND SYSTEMS LIMITED		OS/184	
VOX BOUND LTD., BRITH, KENT, ENGLAND			

Dwg. No. 05/184