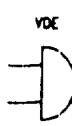
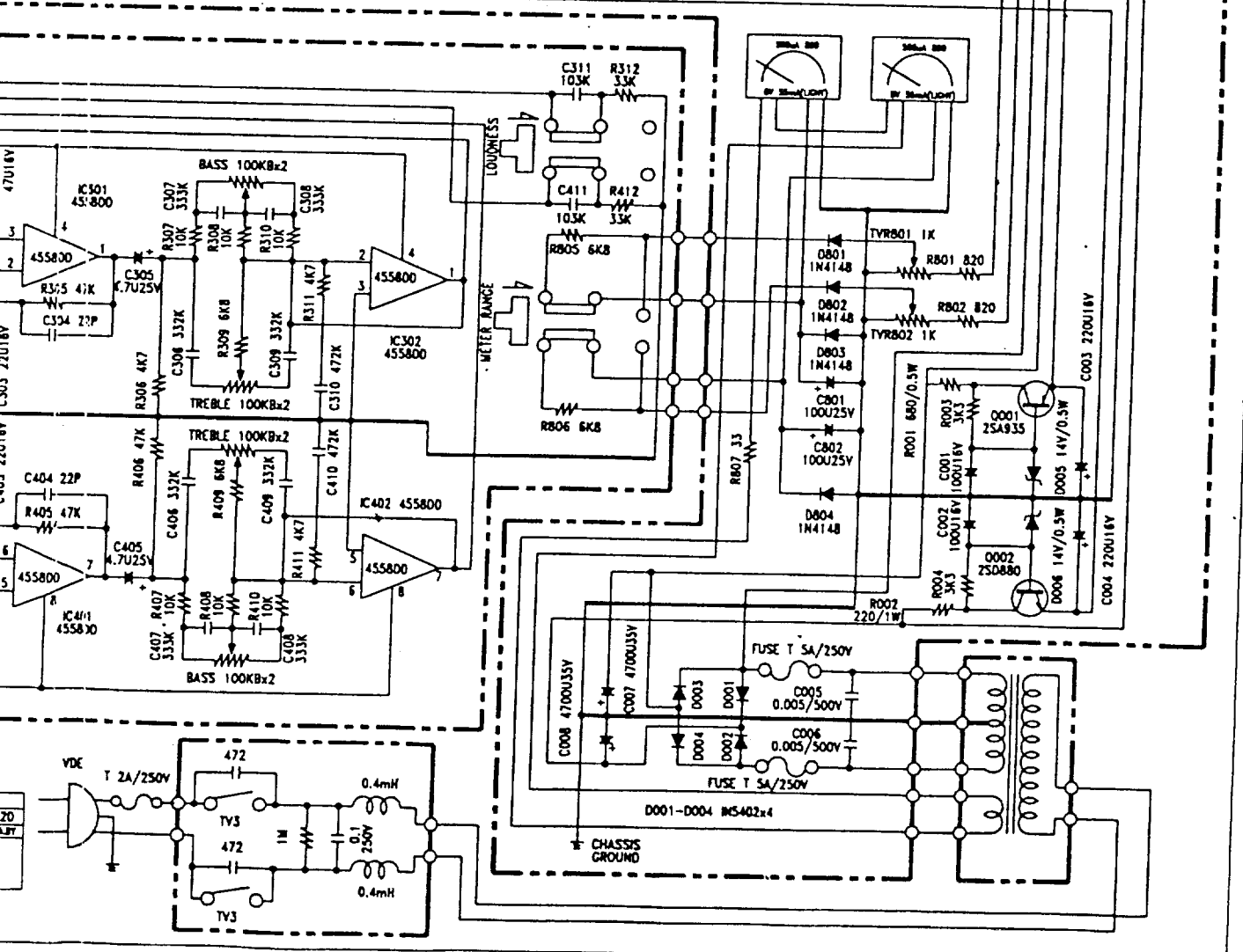
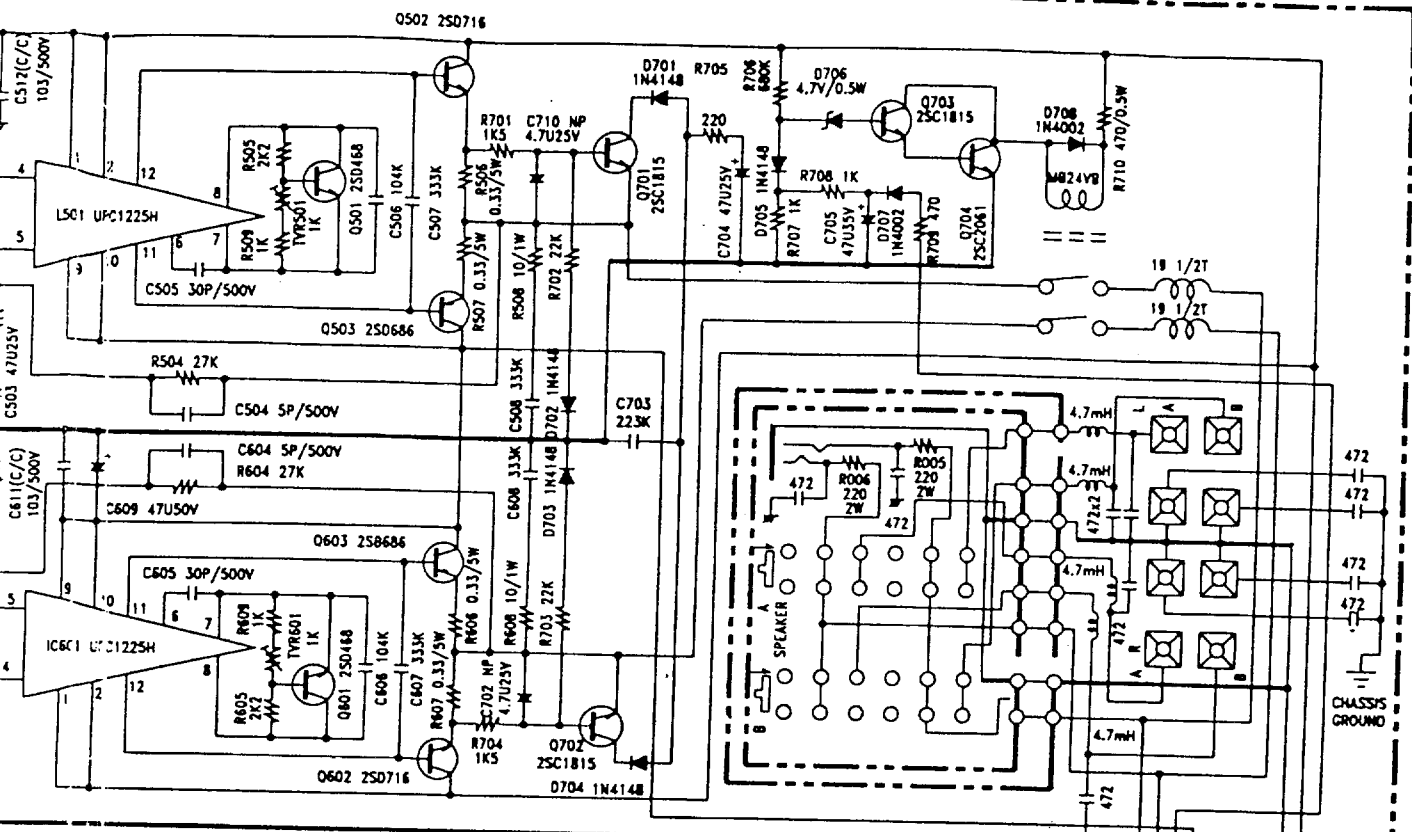


MODEL	AX-4400	REV		DATE		UNITS	
	C_AX4400			SCALE		INTR	86.01.20
NO		NO	NO	DATE		CHECKED	
WANGINE ELECTRONICS CO., LTD.				HUANG			





PARTS LIST MODEL : HVA-8030

KIT : PWK-B48 KEY

DATE : JUN.28.1997

NO.	DESCRIPTION	SPECIFICATIONS	REMARK	Q'TY	P/N
1.	TACT SWITCH	EVQ-QS307K		4	26TCQS307K
2.	LED	L-222YD 1x5 YELLOW		4	16L222YD**
3.	PLAT CABLE	7Px220MM		1	820722026*
4.	WASHER	A-308 BLACK		1	86WA308**
5.	PUSH KNOB	KB-225 BKACK		4	80225*PP00
6.	RESISTORS CARBON	±5% 1/4W T 1K		4	30001KC4TJ
7.	P.C.BOARD	PWK-B48		1	60PWKB48**

PARTS LIST MODEL : HVA-8030

KIT : PWK-B48 S.P SW

DATE : JUN.28.1997

NO.	DESCRIPTION	SPECIFICATIONS	REMARK	Q'TY	P/N
1.	RESISTORS CARBON	±5% 1W T 330		2	30033001RJ
2.	PUSH SWITCH	SPUN24C004		1	20SN24C004
3.	PLAT CABLE	8Px300MM		1	820830026*
4.	PHONO JACK	JY-6318-01-030		1	5463180130
5.	CAPACITORS CERAMIC	220P/500V		2	41220P5ARJ
6.	PVC WIRE	1007#22 280MM		1	
7.	PVC WIRE	1007#22 320MM		1	

PARTS LIST MODEL : HVA-8030

KIT : B-2251.POWER

DATE : JUN.28.1997

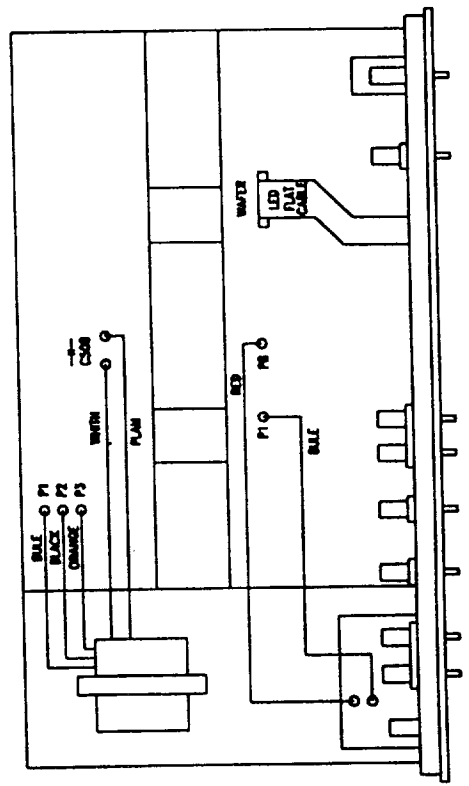
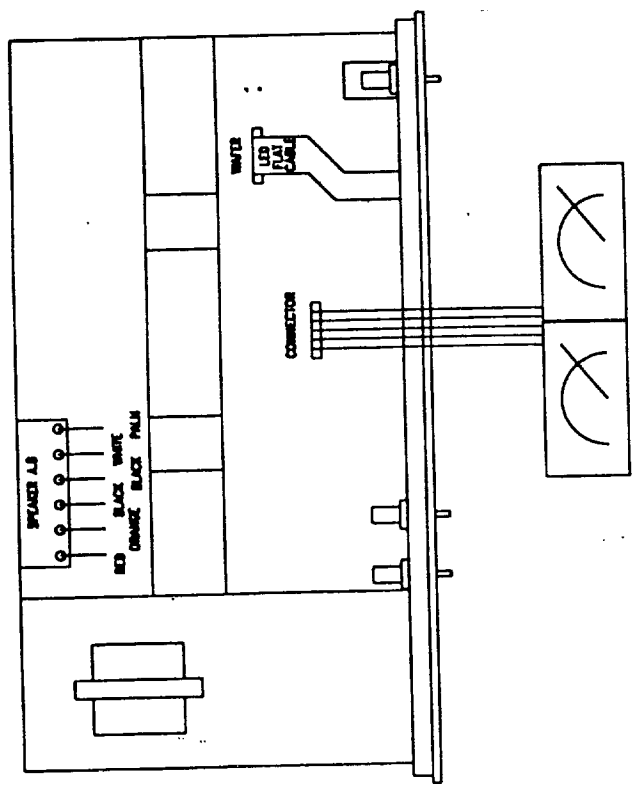
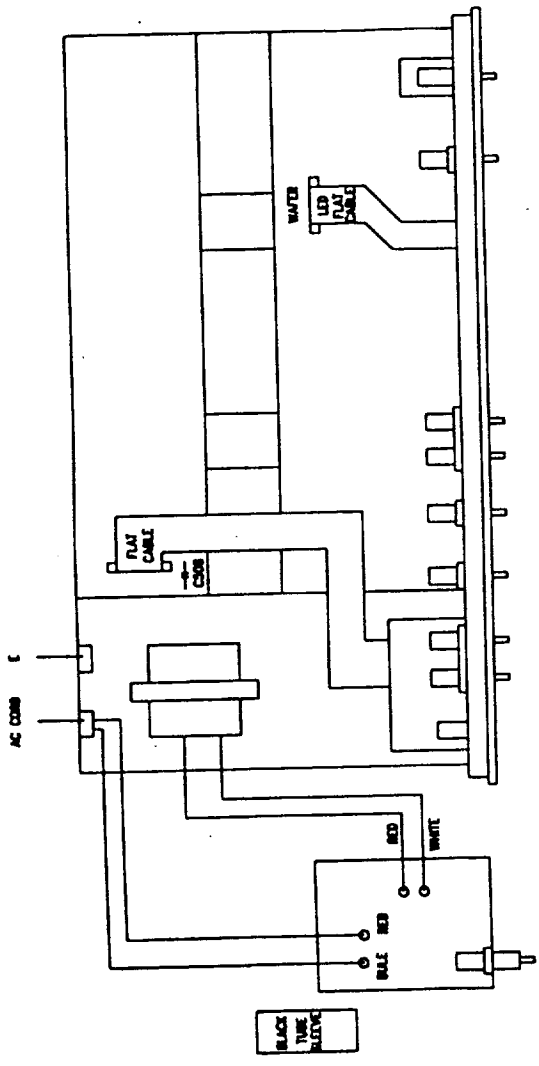
NO.	DESCRIPTION	SPECIFICATIONS	REMARK	Q'TY	P/N
1.	CHOKE	2.6 - 0.4mH (AC-00387RDS)		1	
2.	AC SWITCH	ESB-90702V		1	25ESB90702
3.	RESISTORS CARBON	±5% 1/4W T 10M	R1	1	30010MC4TJ
4.	CAPACITORS MEX	0.1/250V	C002	1	44104U55CK
5.	CAPACITORS CERAMIC	0.0047/500V	C003.004	2	42472U5ARJ

PARTS LIST MODEL : HVA-8030

KIT : B-2520 SP

DATE : JUN.28.1997

NO.	DESCRIPTION	SPECIFICATIONS	REMARK	Q'TY	P/N
1.	COIL	4.7mH 40T		4	73C4P7M**R
2.	CAPACITORS CERAMIC	0.0047/500V	C7-10.1.2.4.5	8	42472U5ARJ
3.	SPEAKER TERMINAL	CJ-9001-080		1	54CJ900180
4.	PIN	1x1x19		6	66P1x1x19*
5.	PVC WIRE	1007#22 150MM		1	



HVA-8030  
CONNECTION DIAGRAM

NO.	DESCRIPTION	SPECIFICATIONS	REMARK	Q'TY	P/N
1.	RESISTORS CARBON	$\pm 5\%$ 1/4W T 10	R108.208.302.402	4	300010C4TJ
2.	RESISTORS CARBON	$\pm 5\%$ 1/4W T 33	R807	1	300033C4TJ
3.	RESISTORS CARBON	$\pm 5\%$ 1/4W T 100	R101.201	2	300100C4TJ
4.	RESISTORS CARBON	$\pm 5\%$ 1/4W T 150	R103.203	2	300150C4TJ
5.	RESISTORS CARBON	$\pm 5\%$ 1/4W T 220	R705	1	300220C4TJ
6.	RESISTORS CARBON	$\pm 5\%$ 1/4W T 470	R709	1	300470C4TJ
7.	RESISTORS CARBON	$\pm 5\%$ 1/4W T 820	R801.802	2	300820C4TJ
8.	RESISTORS CARBON	$\pm 5\%$ 1/4W T 1K	R109.209.501.601.509.609.707.708	8	30001KC4TJ
9.	RESISTORS CARBON	$\pm 5\%$ 1/4W T 1K5	R701.704	2	3001K5C4TJ
10.	RESISTORS CARBON	$\pm 5\%$ 1/4W T 1K8	R503.603	2	3001K8C4TJ
11.	RESISTORS CARBON	$\pm 5\%$ 1/4W T 2K2	R505.605	2	3002K2C4TJ
12.	RESISTORS CARBON	$\pm 5\%$ 1/4W T 3K3	R003.004	2	3003K3C4TJ
13.	RESISTORS CARBON	$\pm 5\%$ 1/4W T 4K7	R311.411	2	3004K7C4TJ
14.	RESISTORS CARBON	$\pm 5\%$ 1/4W T 6K8	R309.409.901.805.806	5	3006K8C4TJ
	RESISTORS CARBON	$\pm 5\%$ 1/4W T 6K8	R304.404.902	3	3006K8C4TJ
15.	RESISTORS CARBON	$\pm 5\%$ 1/4W T 10K	R308.408.310.410.307.407	6	30010KC4TJ
16.	RESISTORS CARBON	$\pm 5\%$ 1/4W T 22K	R702.703.904.905.903	5	30022KC4TJ
17.	RESISTORS CARBON	$\pm 5\%$ 1/4W T 27K	R502.602.504.604	4	30027KC4TJ
18.	RESISTORS CARBON	$\pm 5\%$ 1/4W T 33K	R312.412.908	3	30033KC4TJ
19.	RESISTORS CARBON	$\pm 5\%$ 1/4W T 47K	R305.405.306.406	4	30047KC4TJ
20.	RESISTORS CARBON	$\pm 5\%$ 1/4W T 56K	R102.202	2	30056KC4TJ
21.	RESISTORS CARBON	$\pm 5\%$ 1/4W T 100K	R906.107.207.303.403.907.909	7	30100KC4TJ
22.	RESISTORS CARBON	$\pm 5\%$ 1/4W T 680K	R706	1	30680KC4TJ
23.	RESISTORS METAL	$\pm 1\%$ 1/4W T 7K5	R104.204	2	3207K5C4TF
24.	RESISTORS METAL	$\pm 1\%$ 1/4W T 100K	R105.205	2	32100KC4TF
25.	RESISTORS CARBON	$\pm 5\%$ 1/4W F 100		2	300100C4FF
26.	RESISTORS CARBON	$\pm 5\%$ 1/2W T 680	R001	1	300680C2TJ
27.	RESISTORS CARBON	$\pm 5\%$ 1W 10	R508.608	2	30001001RJ
28.	RESISTORS CARBON	$\pm 5\%$ 1W 220	R002	1	30022001RJ
29.	RESISTORS CARBON	$\pm 5\%$ 2W 560	R710	1	30056002RJ
30.	RESISTORS CEMENT	$\pm 5\%$ 5W 0.33	R506.606.507.607	4	340P3305TJ
31.	DIODE	1N4148	D701-705.801-804.901	10	131N4148*T
32.	ZENER DIODE	4.7V/0.5W	D706.902	2	13Z4P7P5*T
33.	ZENER DIODE	14V/0.5W	D005.006	2	13Z014P5*T
34.	DIODE	1N4002	D707.708	2	13IN4002**T
35.	CAPACITORS CERAMIC	22P/50V	C304.404	2	41022P50RJ
36.	CAPACITORS CERAMIC	100P/50V	C107.207	2	41100P50RJ
37.	CAPACITORS CERAMIC	200P/50V	C502.602	2	41200P50RJ
38.	CAPACITORS CERAMIC	220P/50V		2	41220P50RJ
39.	CAPACITORS CERAMIC	330P/50V	C102.202.109.209	4	41330P50RJ
40.	CAPACITORS CERAMIC	470P/50V		8	41470P50RJ
41.	CAPACITORS CERAMIC	5P/500V	C504.604	2	41005P5ARJ
42.	CAPACITORS CERAMIC	30P/500V	C505.605	2	41030P5ARJ
43.	CAPACITORS CERAMIC	0.01/50V		1	41103P50RJ
44.	CAPACITORS CERAMIC	0.0047/500V	C005.006	2	41472P5ARJ
45.	CAPACITORS CERAMIC	0.01/500V	C611.512	2	41103P5ARJ
46.	CAPACITORS MYLAR	0.0033/50V	C306.406.309.409	4	42332U50RJ
47.	CAPACITORS MYLAR	0.0047/50V	C310.410	2	42472U50RJ

48.	CAPACITORS MYLAR	0.01/50V	C311.411.105.205	4	42103U50RJ
49.	CAPACITORS MYLAR	0.022/50V	C703	1	42223U50RJ
50.	CAPACITORS MYLAR	0.033/50V	C607.308.408.508.608	5	42333U50RJ
	CAPACITORS MYLAR	0.033/50V	C104.204.407.507.307	5	42333U50RJ
51.	CAPACITORS MYLAR	0.1/50V	C506.606	2	42104U50RJ
52.	CAPACITORS ELEC	0,47U50V KULR	C106.206	2	40474U50R1
53.	CAPACITORS ELEC	4.7U50V NP	C501.601.701.702	4	404P7U50R3
54.	CAPACITORS ELEC	1U50V	C901.902	2	40001U50R6
55.	CAPACITORS ELEC	4.7U50V	C101.201.903.301.401.305.405	7	404P7U50R6
56.	CAPACITORS ELEC	22U16V	C303.403	2	40022U16R6
57.	CAPACITORS ELEC	47U16V	C108.208.302.402	4	40047U16R6
58.	CAPACITORS ELEC	47U25V	C503.603.704	3	40047U25R6
59.	CAPACITORS ELEC	47U50V	C705.510.609	3	40047U50R6
60.	CAPACITORS ELEC	100U25V	C801.802.001.002.103.203	6	40100U25R6
61.	CAPACITORS ELEC	220U16V	C003.004	2	40220U16R6
62.	CAPACITORS ELEC	4700U35V		2	404K7U35R6
63.	TRANSISTOR	2SA935	Q005	1	122SA935**
64.	TRANSISTOR	2SC2061	Q703	1	122SC2061*
65.	TRANSISTOR	2SC1815	Q701.702.704	3	122SC1815*
66.	TRANSISTOR	2SC2240	Q901.902	2	122SC2240*
67.	TRANSISTOR	2SD468	Q501.601	2	122SD468**
68.	TRANSISTOR	2SD88Q	Q002	1	122SD880**
69.	TRANSISTOR	2SD1148		2	122SD1148*
70.	TRANSISTOR	2SB863		2	2SB863****
71.	DIOCE	1N5402	D001-004	4	131N5402**
72.	TVR	8 $\phi$ H-TYPE 3PIN 1K	TVR501.601.801.802	4	3101K083HP
73.	IC	JRC4558DD	CI01.301.302	3	114558****
74.	IC	LC7818	IC201	1	11LC7818**
75.	IC	UPC1225H	IC501.601	2	11UPC1225*
76.	FUES SHELF	5 $\phi$		4	67FH035**E
77.	PIN	1x1x19		7	66Px1x19**
78.	WAFER	5045-5P		1	66W504505F
79.	WAFER	5494-7P		1	66W549407F
80.	RELAY	MX2-12VDC		1	74MX220512
81.	RCA JACK	204-1 4P		1	55101910N4
82.	RCA JACK	HSP-206V 6P		1	55HSP206N6
83.	COIL	19 1/2T		2	
84.	HEAT SINK	H-151		2	76151AX44*
85.	PUSH SWITCH	SPUN24AK001		1	20SF24AK00
86.	VR	RK163121A076-250KMNx2		1	36K163A076
87.	VR	RK162BOE355-250KBx2		1	36K163E355
88.	VR	RK163121B313-100KBx2		2	36K163B313
89.	PLAT CABLE	2Px50MM		2	820205026*
90.	PLAT CABLE	3Px60MM		1	820306026*
91.	PLAT CABLE	4Px80MM		1	820408026*
92.	PLAT CABLE	6Px60MM		1	820606026*
93.	P.C.B	PWK-B45		1	60PWKB45**
94.	HEAT SINK	H-087C	W	1	76087HVA80
95.	SCREW	CRTS 3x6	YELLOW	2	88TS0306RY
96.	SCREW	CRTS 3x12	BLACK	4	88TS0312RB
97.	WASHER,SPRING	3 $\phi$	YELLOW	4	88WS003MY
98.	PVC WIRE	1015#22	250MM	1	
99.	PVC WIRE	1015#22	100MM	1	
100.	PVC WIRE	1015#18	180MM	1	
101.	PVC WIRE	1007#27	120MM	1	
102.	PVC WIRE	1007#26	240MM	1	

NO.	DESCRIPTION	SPECIFICATIONS	Q'TY	P/N
1.	AL PANEL	L-268	1	78L268****
2.	FRONT PLATE	C-1277B	1	78C1277B**
3.	REAR PLATE	C-1278	1	78C1268**B
4.	CHISSIS	C-1279	1	78C1279**B
5.	BOTTOM PLATE	C-1280	1	78C1280**0
6.	UPPER COVER	C-1281	1	78C1281***
7.	CHASSIS,LEFT	C-1282	1	78C1282**0
8.	TRANSFORMER	864228V216	1	
9.	METER	TN-90-8716	2	71TN908716
10.	CONNECTOR	ED-306 5P	1	66HD30605F
11.	AC CORD VDE	H05W-F 0.75MMx3C MALE	1	6513181P2M
12.	BUSHING	6W2	1	676W2*****
13.	WASHER	A-276(B)	1	86WA276***
14.	WASHER	A-195(B)	1	86WA195***
15.	PUSH KNOB	KB-196(B)	1	80196*PP00
16.	PUSH KNOB	KB-092(B)	4	80092*PP00
17.	KNOB	KB-224(B)	1	80224*RPBK
18.	KNOB	KB-222(B)	2	80222*RPBK
19.	KNOB	KB-223(B)	1	80223*RPBK
20.	DJST	D-0032A	1	57D0032A**
21.	DJST	D-0031A	3	57D0031A**
22.	SPONGE	D-059	2	84D059****
23.	FOOT CUSHION	D-057	4	81R3808**0
24.	FUSE	5 $\phi$ x20x5A(T)	2	595G00520T
25.	FUSE	5 $\phi$ x20x2A(T)	1	595G00220*
26.	FUSE HOLDER	MF-527	1	67MF527***
27.	TERMINAL	VB1.25	2	96VB1P25**
28.	TUBE SLEEVE	UL 54 $\phi$	1	8954UL****
29.	CABLE TIE	90MM	5	87UL90****
30.	SPONGE	10x10x20	2	
31.	SPONGE	40x8x5	4	
32.	牙扣		1	
33.	OWNER'S MANAL	HVA-8030	1	69OMHVA803
34.	PAPER SLEEVE	G-052	2	91S**HVA80
35.	INSIDE CARTON		1	91I**HVA80
36.	OUTER CARTON		1/2	91C02HVA80
37.	SCREW	CRTS 3x4 YELLOW	4	88TS0304RY
38.	SCREW	CRTS 3x6 BLACK	15	88TS0306RB
39.	SCREW	CRTS 3x6 YLEEOW	1	88TS0306RY
39.	SCREW	CRTS 3x8 BLACK	8	88TS0308RB
40.	SCREW	CRMS 3x6 YELLOW	6	88MS0306RY
41.	SCREW	CRSMS 4x8 YELLOW	4	88SMS408RY
42.	SCREW	CRWMS 4x4 BLACK	2	88WMS404RB
43.	SCREW	CRWMS 4x8 BLACK	4	88WMS408RB
44.	PLASTIC, SCREW	1/8x9 BLACK	5	88PE0809RB
45.	SCREW	FLAT HEAD 3x6 BLACK	3	88F*0306RB
46.	CHOKE	26.3/14.211.30	1	
47.	SCREW	CRWMS 4x12	1	88WM*412R*
48.	GEAR, I	4 $\phi$ YELLOW	1	88WG**4MZ*
49.	NUT	4 $\phi$ YELLOW	2	88N1**4MZ*
50.	WASHER,SPRING	4 $\phi$ YELLOW	1	88WS**4MZ*



## 1. OUTPUT CHECK PROCEDURE

ITEM	INPUT	OUTPUT	REMARK
OUTPUT CHECK CD, TUNER, TAPE	1KHz, 150mV	15 - 16V	
OUTPUT CHECK PHONO	1KHz, 2.5mV	15-16V	
TONE CONTROL	1KHz, 150mV	1.5V	SETTING OUTPUT
TREBLE	10KHz	+/-10dB	-20dB
BASS	100Hz	+/-10dB	
LOUDNESS	1KHz 150mV	0.15V	SETTING OUTPUT
	100Hz	+7-8dB	-40dB

## 2. ADJUSTMENT PROCEDURE

A. ADJUST METER OUTPUT 15.5V/8ohm & ADJUST TVR 501,601 TO SETTING METER IN 0dB PLACE.

B. ID TEST: CHECK VOLTAGE WHICH BETWEEN R507,506,607,606,0.33ohm/5W RESISTOR; ADJUST TVR801,802 TO 3-6mV

C. CHECK MAX HUM & MIN HUM