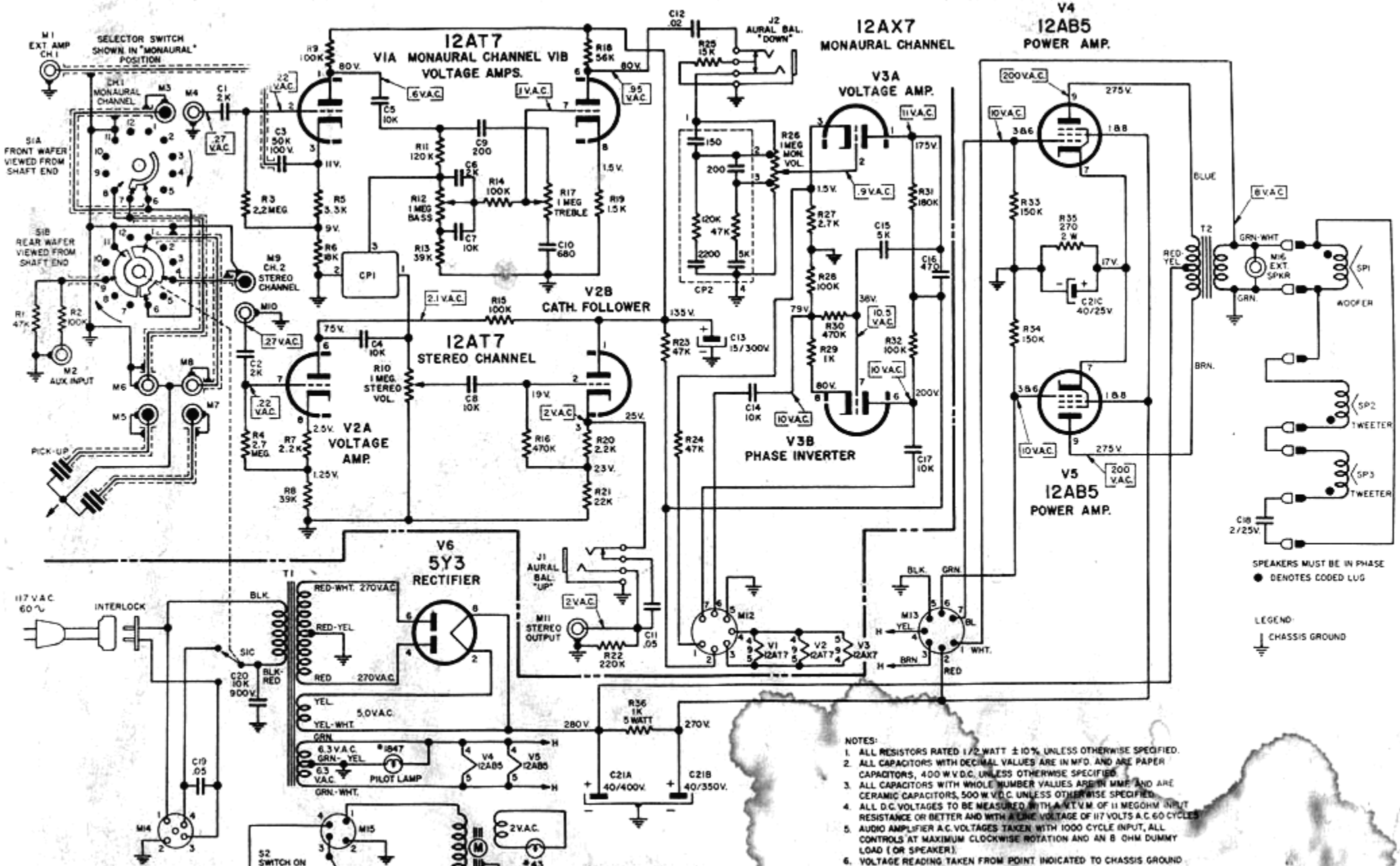


CIRCUIT DIAGRAM FOR MODEL 1968 & 1969



- NOTES:
1. ALL RESISTORS RATED 1/2 WATT ± 10% UNLESS OTHERWISE SPECIFIED.
 2. ALL CAPACITORS WITH DECIMAL VALUES ARE IN MFD. AND ARE PAPER CAPACITORS, 400 W.V.D.C. UNLESS OTHERWISE SPECIFIED.
 3. ALL CAPACITORS WITH WHOLE NUMBER VALUES ARE IN MMF. AND ARE CERAMIC CAPACITORS, 500 W.V.D.C. UNLESS OTHERWISE SPECIFIED.
 4. ALL D.C. VOLTAGES TO BE MEASURED WITH A V.T.M. OF 11 MEGOHM INPUT RESISTANCE OR BETTER AND WITH A LINE VOLTAGE OF 117 VOLTS A.C. 60 CYCLES.
 5. AUDIO AMPLIFIER A.C. VOLTAGES TAKEN WITH 1000 CYCLE INPUT, ALL CONTROLS AT MAXIMUM CLOCKWISE ROTATION AND AN 8 OHM DUMMY LOAD (OR SPEAKER).
 6. VOLTAGE READING TAKEN FROM POINT INDICATED TO CHASSIS GROUND.

SPEAKERS MUST BE IN PHASE
● DENOTES COOLED LUG

LEGEND:
⊥ CHASSIS GROUND

WEBCOR, INC.

PRINTED IN U.S.A.