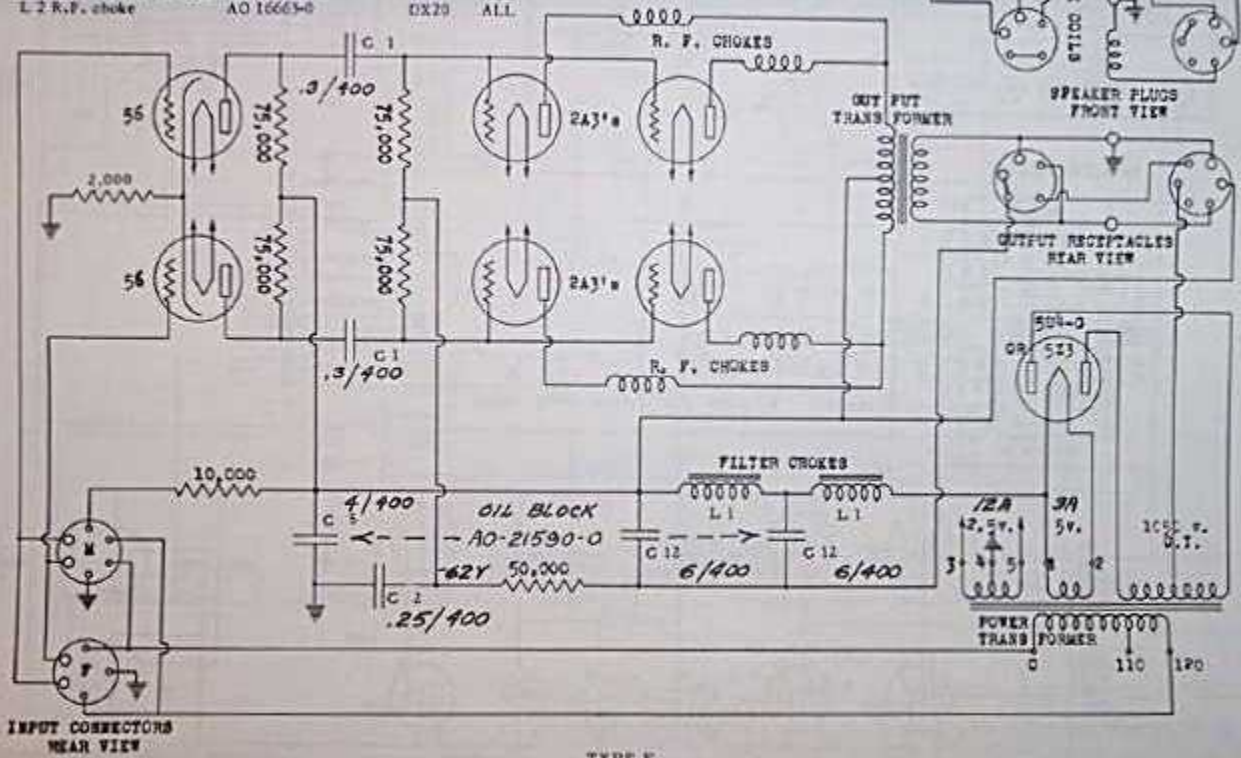
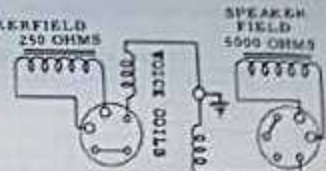


USED IN POWER CABINETS
 A-20 SERIAL NO. 1000 AND ABOVE
 A-40 SERIAL 2400 & ABOVE
 B-40 SERIAL 2400 TO 1984 INCL.
 C-40 SERIAL 2400 & ABOVE
 D-20 SERIAL 4346 TO 25109 INCL.
 DR20 SERIAL 15,007 TO 22,399 INCL.
 G ALL
 DX20 ALL

T 1 Power transformer AO 16670-1
 T 2 Output transformer AO 16681-1
 (Prim. 120 ohms) D.C. resistance
 (Sec. .1 ohms)
 L 1 Filter choke 40 ohms AO 16682-1-2
 L 2 R.F. choke AO 16663-0



INPUT CONNECTORS
 REAR VIEW



SPEAKER PLUGS
 FRONT VIEW

OUTPUT RECEPTABLES
 REAR VIEW

POWER TRANSFORMER

TYPE F
 POWER AMPLIFIER
 FIGURE 11